

Drive solutions for lauter tuns



Complete drive units

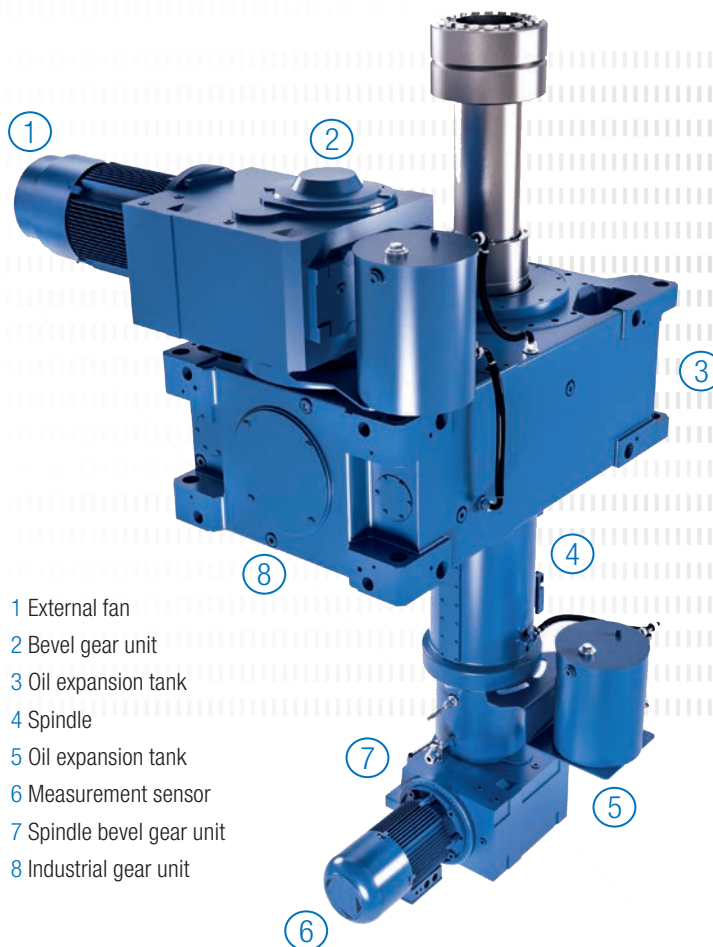
- ▶ A single drive system for the lauter process to remove grain residues and empty the tun.
- ▶ With the combination of a geared motor and an industrial gear unit, torques of up to 2,495,900 lb-in (282,000 Nm) can be achieved for lauter tuns of up to 1060cu.ft (30 m³).
- ▶ A second geared motor provides the drive for the lifting equipment which can lift even the heaviest racking machines.

Performance data

- ▶ All necessary output speeds can be implemented.

Combined oil tank

- ▶ Both gear units are equipped with oil expansion tanks to ensure lubrication at all times. A special sealing system on the output shaft ensures that there is always an adequate lubricating film on the lifting shaft.



- 1 External fan
- 2 Bevel gear unit
- 3 Oil expansion tank
- 4 Spindle
- 5 Oil expansion tank
- 6 Measurement sensor
- 7 Spindle bevel gear unit
- 8 Industrial gear unit

NORD DRIVESYSTEMS

Drive solutions for lauter tuns



Standardized solution

To achieve maximum reliability and competitive prices, standard yet highly configurable components are used to meet the requirements of lauter tuns applications. NORD can also develop custom modifications, as needed.

Variable frequency drives

Even under full load, NORD drives allow lifting equipment to perform with extreme precision. Limit switches and optical sensors can be installed for precise positioning and the height can be adjusted when at a standstill, when idling, or under full load.

Flexible

This lauter tun unit was designed using standard drive packages from NORD's modular system and is equipped with an additional lifting spindle. These highly-configurable gear units can be built to accommodate the most specialized drive applications.

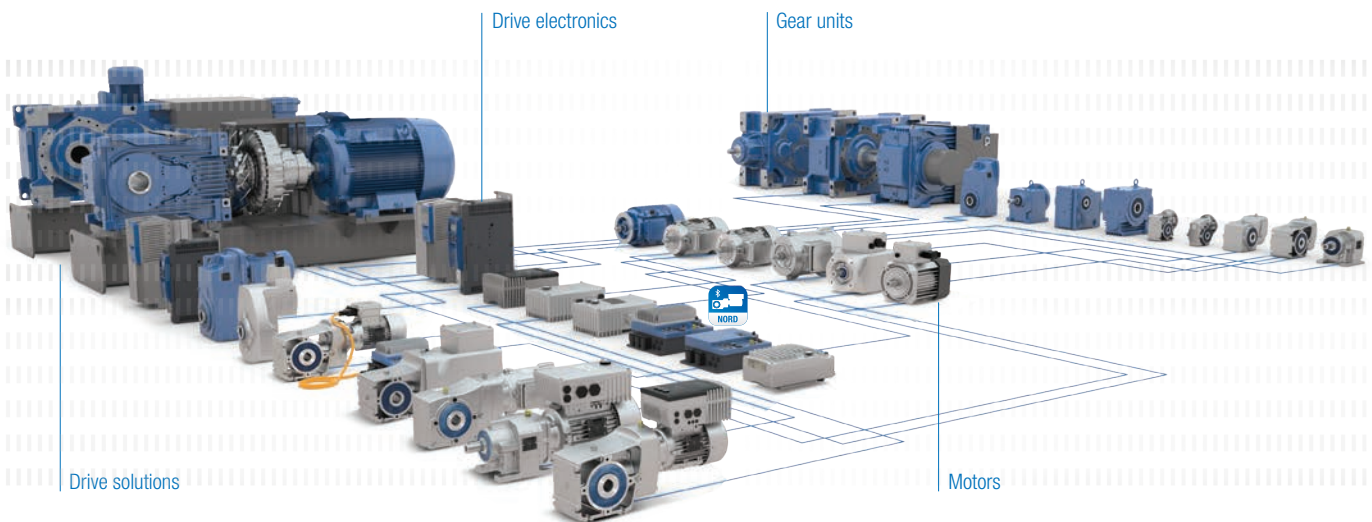
Individually tested

Extensive tests according to customers' load and movement cycles are performed for every application to ensure optimum performance and excellent process results.

Scalable to requirements

NORD lauter tuns units with regular sizes, up to the very largest versions have been tested, delivered, and used successfully worldwide.

Complete drive solutions from a single source



US

NORD Gear Corporation
Waunakee, WI
800 NORD Drive
Waunakee, WI 53597
Tel. 888.314.6673
info.us@nord.com
www.nord.com

Corona, CA
1180 Railroad St.
Corona, CA 92882
Tel. 888.314.6673
info.us@nord.com

Charlotte, NC
300E Forsyth Hall Dr.
Charlotte, NC 28273
Tel. 888.314.6673
info.us@nord.com

CA

NORD Gear Limited
Brampton, ON
41 West Drive
Brampton, ON L6T4A1
Tel. 800.668.4378
info.ca@nord.com

MX

NORD DRIVE SYSTEMS SA DE CV
Queretaro, Mexico
Av. Industria Textil B.6
Parque Industrial PYME, Huimilpan
QRO - Mexico 76950
Tel. 52 442 688 7110
info.mx@nord.com