

B 2050 – en

Explosion-protected industrial gear units

Operating and Assembly Instructions





Read document and keep for future reference

Read this document carefully prior to performing any work on or putting the device into operation. It is essential to read and observe the instructions in this document. They serve as the prerequisite for smooth and safe operation and the fulfilment of any warranty claims.

Contact Getriebebau NORD GmbH & Co. KG if your questions regarding the handling of the device are not answered in this document or if you require further information.

The German version of this document is the original. The German document is always decisive. If this document is available in other languages, this will be a translation of the original document.

Keep this document in the vicinity of the device so that it is available if required.

Use the version of this documentation that is valid for your device at the time of delivery. You can find the currently valid version of the documentation under www.nord.com.

Please also note the following documents:

- Gear unit catalogues,
- Documentation for the electric motor,
- Documentation for equipment which is attached or provided,
- Special documentation according to details on the name plate.

Documentation

Designation:	B 2050
Part no.:	6053002
Series:	Gear units and geared motors
Type series:	SK 5207 to SK 15507, SK 5217 to SK 11217, SK 5321 to SK 15421, SK 5418 to SK 12418
Gear unit types:	Industrial gear units

Version list

Title, Date	Order number / Version	Remarks
	Internal code	
B 2050 , February 2013	6053002 / 06 13	-
B 2050 , September 2014	6053002 / 38 14	<ul style="list-style-type: none"> • General corrections
B 2050 , April 2015	6053002 / 19 15	<ul style="list-style-type: none"> • General corrections
B 2050 , March 2016	6053002 / 09 16	<ul style="list-style-type: none"> • Revision of ATEX documentation / extension of options, • Extension of the series, • New Declarations of Conformity, • General corrections
B 2050 , May 2017	6053002 / 1817	<ul style="list-style-type: none"> • Revision
B 2050 , May 2019	6053002 / 1819	<ul style="list-style-type: none"> • Revision of ATEX documentation, • Extension of the MAXXDRIVE® XT series, • New Declarations of Conformity, • General corrections
B 2050 , October 2019	6053002 / 04419	<ul style="list-style-type: none"> • Extensive revision of the safety and warning information, • Removal of the Declaration of Conformity according to DIN EN 13463-1. • Revision of the description for Options MS and MF • SAFOMI option added • SK 5217 to 11217 added • Sound Emission chapter added • Supplements to Service and Maintenance Intervals chapter • General corrections

Title, Date	Order number / Version	Remarks
	Internal code	
B 2050 , November 2020	6053002 / 4620	<ul style="list-style-type: none"> • Descriptions for Options DB and VL/KL 2/3/4/6 added • OH option added • Revision of tables for lubricants and minimum starting temperatures • General corrections and amendments
	32535	
B 2050 , September 2021	6053002 / 3921	<ul style="list-style-type: none"> • Editorial revision • General corrections and amendments
	32535	
B 2050 , July 2023	6053002 / 3023	<ul style="list-style-type: none"> • General corrections and amendments • Extension of the gear unit types • Change to name plate • Additions to the SAFOMI option • Change to the shrink disc assembly • Specification of the length of the cooling hoses • Change to the torque arm sketch • Assembly note for the input flange (option F1) • Addition to the oil changing interval for the intermediate flange (option WX) • Revision of lubricants • Removal of EAC Ex
	36367	

Table 1: Version list B 2050

Copyright notice

As an integral component of the device described here, this document must be provided to all users in a suitable form.

Any editing or amendment or other utilisation of the document is prohibited.

Publisher

Getriebebau NORD GmbH & Co. KG

Getriebebau-Nord-Straße 1 • 22941 Bargteheide, Germany • <http://www.nord.com>

Fon +49 (0) 45 32 / 289-0 • Fax +49 (0) 45 32 / 289-2253

Member of the NORD DRIVESYSTEMS Group

Table of Contents

1	Safety information	14
1.1	Intended use	14
1.2	Safety information for explosion protection	14
1.2.1	Field of use.....	15
1.2.2	Attachments and equipment.....	15
1.2.3	Lubricants.....	15
1.2.4	Operating conditions.....	15
1.2.5	Radial and axial forces	16
1.2.6	Assembly, installation and commissioning	16
1.2.7	Service and maintenance	16
1.2.8	Protection against electrostatic charging.....	16
1.3	Applied ignition protection classes according to DIN EN ISO 80079-37	17
1.4	Do not make any modifications.....	17
1.5	Performing inspection and maintenance work	17
1.6	Personnel qualification.....	17
1.7	Safety for particular activities	17
1.7.1	Check for transport damage.....	17
1.7.2	Safety information for installation and maintenance	18
1.8	Hazards.....	18
1.8.1	Hazards when lifting	18
1.8.2	Hazards due to rotating parts	18
1.8.3	Danger on entry.....	18
1.8.4	Hazards due to high or low temperatures.....	19
1.8.5	Hazards due to lubricants and other substances.....	19
1.8.6	Hazards due to noise.....	19
1.8.7	Hazards due to pressurised coolants	19
2	Description of gear units	20
2.1	Gear unit types and type designations.....	20
2.2	Name plate.....	25
3	Transport, storage, assembly	27
3.1	Transporting the gear unit	27
3.1.1	Transport of standard gear units.....	28
3.1.2	Transport of gear units with motor adapter.....	29
3.1.3	Transport of gear units with auxiliary drives or first stage gear units (Option: WG, WX)	30
3.1.4	Transport of gear units with V-belt drives	31
3.1.5	Transport of agitator version gear units	32
3.1.6	Transport of gear unit with motor swing base or base frame	33
3.2	Storage and downtimes	34
3.2.1	General measures	34
3.2.2	Storage and downtimes in excess of 3 months	34
3.2.3	Storage and standstill periods of more than 9 months.....	34
3.3	Checking the version.....	35
3.4	Preparing for installation	36
3.4.1	Check for damages	36
3.4.2	Remove corrosion protection agents	36
3.4.3	Check rotational direction	36
3.4.4	Check ambient conditions	36
3.4.5	Installing the oil reservoir tank (Option OT)	36
3.4.6	No-seal adapter for vertical gear units (option : SAFOMI).....	36
3.5	Installing the gear unit.....	37
3.6	Installation of a hub on solid shaft (option: V, L)	38
3.7	Assembly of gear units with hollow shaft (option A, EA)	40
3.7.1	Fitting a hollow shaft with fastening element (option B).....	41
3.7.2	Fitting a hollow shaft with shrink disc (Option: S)	42
3.8	Installing a flange version gear unit (Option: F, FK, VL2/3/4/5, KL2/3/4).....	45
3.8.1	Agitator version (Option: VL2, KL2).....	45
3.8.2	Agitator version with Drywell (Option: VL3, KL3).....	46
3.8.3	Agitator version with True Drywell (Option: VL4, KL4).....	46

3.8.4	Extruder flange version (Option: VL5)	46
3.8.5	Agitator version with True Drywell and foot mounting (Option: VL6, KL6)	47
3.9	True Drywell version gear units (Option: VL4, KL4, VL6, KL6, DRY)	47
3.10	Motor base frame (Option: MF)	48
3.11	Motor swing base (Option: MS)	49
3.12	Installing the cover cap, air baffle (Option: H, H66, FAN, MF., MS...)	50
3.13	Fitting a standard motor (option IEC, NEMA, SAFOMI, F1)	50
3.13.1	Fitting a motor with standard claw coupling (option IEC, NEMA)	52
3.13.2	Fitting a motor with standard claw coupling (option SAFOMI)	53
3.14	Installing the drive coupling	53
3.14.1	Dog coupling	53
3.14.2	Turbo coupling	53
3.14.3	Dog coupling	54
3.15	Installing the output coupling	54
3.16	Connecting a cooling coil (option CC)	55
3.17	Installation of an external cooling system (Option: CS1-X, CS2-X)	57
3.18	Installing a fan (Option: FAN-A, FAN-R)	58
3.19	Installation of the lubricant circulation (Option: LC, LCX)	59
3.20	Gear unit monitoring sensors (option: MO)	59
3.21	Attaching the temperature sticker	59
3.22	Installing the torque arm (option D, ED, MS)	60
3.23	Connecting the oil heater (Option: OH)	62
3.24	Subsequent painting	62
4	Commissioning	63
4.1	Checking the oil level	63
4.2	Activating the vent	63
4.3	Process heat due to hollow output shaft	64
4.4	Lubricant circulation (Option: LC, LCX)	65
4.5	Gear unit cooling with fan (Option: FAN-A, FAN-R)	66
4.6	Cooling coil (Option: CC)	67
4.7	External cooling system (option CS1-X, CS2-X)	68
4.7.1	Oil / water cooler (Option: CS1-X)	68
4.8	Oil heater (Option: OH)	69
4.9	Temperature monitoring (Option: PT100)	69
4.10	Backstop/Auxiliary drive (Option: R, WX)	70
4.11	Temperature measurement	73
4.12	Test run	74
4.13	Checklist	75
4.13.1	Mandatory	75
4.13.2	Optional	76
5	Service and maintenance	77
5.1	Inspection and maintenance intervals	77
5.2	Service and maintenance work	80
5.2.1	Visual inspection for leaks	80
5.2.2	Check for running noises	80
5.2.3	Check fan and spaces between the ribs (Maxxdrie XT) (Option: FAN-A, FAN-R)	81
5.2.4	Cleaning the heat exchanger (Option: CS2-X)	81
5.2.5	Device category 2D: Cleaning the cover cap (Option: H) and the motor adapter (Options: IEC, NEMA)	81
5.2.6	Oil level	81
5.2.6.1	Oil level screw	82
5.2.6.2	Oil inspection glass/oil level glass (Option: OSG), Oil level indicator (Option: OST)	83
5.2.6.3	Oil dipstick (Option: PS)	83
5.2.6.4	Oil level tanks (Option: OT)	83
5.2.6.5	Checking the leak indicator (Option: VL3, KL3 with Drywell)	84
5.2.6.6	Auxiliary drive (option WX), first-stage gear unit (option WG), fluid coupling	84
5.2.6.7	No-seal adapter for vertical gear units (option SAFOMI)	85
5.2.7	Visual inspection of the rubber elements of the elastic torque arm (Option: ED)	85
5.2.8	Visual inspection of cables	86
5.2.8.1	Piping (Option: LC, LCX, OT)	86
5.2.8.2	Hose lines (Option: LC, LCX, CS1-X, CS2-X, OT)	86

5.2.9	Oil filter (Option: CS1-X, CS2-X, LC/LCX).....	86
5.2.10	Remove dust	86
5.2.11	Oil change	86
5.2.12	Checking the cooling coil for deposits (Option: CC)	87
5.2.13	Cleaning or replacing the vent.....	88
5.2.13.1	Vent filter (Option: FV).....	88
5.2.13.2	Cellulose filter (Option: EF).....	88
5.2.13.3	Drying agent filter / Wet air filter (Option: DB).....	88
5.2.13.4	Pressure venting (Option: DR).....	90
5.2.14	Replacing the shaft sealing ring.....	90
5.2.15	Re-lubrication of bearings in the gear unit.....	91
5.2.16	Re-lubricating the bearing in the output flange (Option: VL2/3/4/6, KL2/3/4/6).....	91
5.2.17	Check the gear unit monitoring (only for 2G / 2D)	92
5.2.17.1	Resistance thermometer.....	92
5.2.17.2	Pressure switch.....	92
5.2.18	Inspection cover	93
5.2.19	General overhaul	94
6	Disposal	96
7	Appendix.....	97
7.1	Versions and mounting position	97
7.1.1	Parallel gear units.....	97
7.1.2	Helical bevel gear unit	97
7.2	Standard positions of the oil drain, vent and oil level	98
7.3	Lubricants	116
7.3.1	Roller bearing greases	116
7.3.2	Gear oils	117
7.3.3	Minimum starting temperatures	118
7.3.4	Lubricant quantities	119
7.4	Screw tightening torques.....	119
7.5	Tolerances for bolting surfaces	120
7.6	Troubleshooting	120
7.7	Leakage and leak-tightness	122
7.8	Noise emissions.....	122
7.9	Declaration of Conformity.....	123
7.9.1	Explosion protected gear units and geared motors, Category 2G and 2D.....	123
7.9.2	Explosion protected gear units and geared motors, Category 3G and 3D.....	124
7.10	Repair information.....	125
7.10.1	Repairs	125
7.10.2	Internet information.....	125
7.11	Warranty	125
7.12	Abbreviations	125

List of illustrations

Figure 1: MAXXDRIVE® XT 2-stage helical bevel gear unit	22
Figure 2: Name plate	25
Figure 3: Transport of standard gear unit	28
Figure 4: Transport of gear units with motor adapter	29
Figure 5: Transport of gear units with auxiliary drives or first stage gear units	30
Figure 6: Transport of gear units with V-belt drives	31
Figure 7: Transport of agitator version gear units	32
Figure 8: Transport of gear unit with motor swing base or base frame	33
Figure 9: Example of a simple pulling device	38
Figure 10: Permissible application of force to drive and driven shafts	39
Figure 11: Applying lubricant to the shaft and the hub	40
Figure 12: Assembly and disassembly of the fixing element (schematic diagram)	41
Figure 13: Fixing element (example)	42
Figure 14: Machine shaft assembly for special hollow shafts with shrink discs	43
Figure 15: Fitted shrink disc	44
Figure 16: VL2 Option	45
Figure 17: Option VL3/KL3 and VL4/KL4	46
Figure 18: Option VL6/KL6	47
Figure 19: Schematic diagram (Option: DRY)	47
Figure 20: Centre of gravity of motor	51
Figure 21: Fitting the coupling to the motor shaft	52
Figure 22: Fusible plug with separate mechanical switch	54
Figure 23: Cooling cover with cooling coil fitted (schematic diagram)	56
Figure 24: Industrial gear unit with CS1-X and CS2-X cooling systems	58
Figure 25: Hydraulic plan of industrial gear units with CS1-X and CS2-X cooling systems	58
Figure 26: Temperature sticker position for helical and bevel helical gear units	60
Figure 27: Permissible installation tolerances of the torque arm (option D and ED) (schematic diagram)	61
Figure 28: Activation of the pressure vent	64
Figure 29: Industrial gear unit with back stop (schematic diagram)	70
Figure 30: ATEX labelling	73
Figure 31: Temperature sticker	74
Figure 32: Checking the oil level with a dipstick	82
Figure 33: Checking the oil level with an oil dip-stick	83
Figure 34: Illustration air space	85
Figure 35: Vent filter (Option FV)	88
Figure 36: Cellulose filter (Option EF)	88
Figure 37: Drying agent filter, example version	89
Figure 38: Installing the drying agent filter	89
Figure 39: MSS7 seal	90
Figure 40: Examples of inspection covers	93
Figure 41: Helical gear unit installation positions with standard mounting surface	97
Figure 42: Bevel gear unit installation positions with standard mounting surface	97
Figure 43: Numbering of oil screw holes on SK 5207 – SK 10507	105
Figure 44: Numbering of oil screw holes on SK 11207 – SK 15507	111
Figure 45: Numbering of oil screw holes on SK 5217 – SK 11217	115
Figure 46: Declaration of Conformity for Category 2G / 2D, labelling according to DIN EN ISO 80079-36	123
Figure 47: Declaration of Conformity for Category 3G / 3D, labelling according to DIN EN ISO 80079-36	124

List of tables

Table 1: Version list B 2050.....	6
Table 2: Gear unit overview MAXXDRIVE® Standard – Parallel gear units.....	20
Table 3: Gear unit overview MAXXDRIVE® Standard – Right-angle gear units.....	20
Table 4: Gear unit overview MAXXDRIVE® XT – Right-angle gear units.....	20
Table 5: Gear unit overview MAXXDRIVE® XD – Parallel gear units.....	21
Table 6: Gear unit overview MAXXDRIVE® XJ – Right-angle gear units.....	21
Table 7: Gear unit overview MAXXDRIVE® special version.....	21
Table 8: Versions and options.....	24
Table 9: IEC and NEMA motor weights.....	51
Table 10: Transnorm motor weights.....	51
Table 11: Oil spaces as delivered.....	63
Table 12: Back stop lift-off speeds SK 5..07 – SK 10..07.....	71
Table 13: Back stop lift-off speeds SK 11..07 – SK 15..07.....	72
Table 14: Back stop lift-off speeds SK 5..17 – SK 11..17.....	73
Table 15: Mandatory checklist for commissioning.....	75
Table 16: Optional checklist for commissioning.....	76
Table 17: Inspection and maintenance intervals.....	78
Table 18: Grease quantities for re-greasing the lower output shaft bearing.....	92
Table 19: Materials.....	96
Table 20: Position of housing options on oil screw holes (standard installation positions).....	99
Table 21: Roller bearing greases.....	116
Table 22: Gear oils.....	117
Table 23: Minimum starting temperatures for mineral oils (guideline values for the ambient temperature).....	118
Table 24: Minimum starting temperatures for synthetic oils (guideline values for the ambient temperature).....	118
Table 25: Screw tightening torques.....	119
Table 26: Overview of malfunctions.....	121
Table 27: Definition of leakage according to DIN 3761.....	122

1 Safety information

1.1 Intended use

These gear units are used to transmit rotary movements. They convert velocity and torque. They are intended for use as part of a drive system in commercially used plant and machinery. The gear units must not be operated until it has been established that the plant or machinery can be safely operated with the gear unit. Suitable protective measures must be provided if failure of a gear unit or a geared motor could result in a risk to persons. The plant or machinery must comply with local legislation and directives. All applicable health and safety requirements must be met. In particular, the Machinery Directive 2006/42/EC and UKCA "Supply of Machinery (Safety) Regulations 2008" must be especially observed in the relevant areas of application.

The gear units are suitable for use in explosion hazard areas according to the category stated on the name plate. For the category stated on the name plate, they comply with the explosion protection requirements of the 2014/34/EU and the "Equipment and Protective Systems Intended for Use in Potentially Explosive Atmospheres Regulations 2016: Great Britain" directives. The gear units may only be operated with components which are intended for use in explosion hazard areas. During operation, no mixture of atmospheres with gases, vapours and aerosols (Zone 1 or 2, IIG labelling), and dusts (Zone 21 or 22, IID labelling) may be present. In case of a hybrid mixture, the approval of the gear unit is void.

Structural modifications to the gear units are not permitted and result in the approval for the gear unit becoming void.

The gear units may only be used according to the information in the technical documentation from Getriebbau NORD GmbH & Co. KG. Damage to the gear unit may result if the gear unit is not used as intended and according to the information in the operating and installation manual. This may also result in personal injury.

The base or the gear unit mount must be appropriately dimensioned for the weight and torque. All of the fastenings provided must be used.

Some gear units are equipped with a cooling coil/cooling system. These gear units may only be operated if the cooling circuit is connected and in operation.

1.2 Safety information for explosion protection

The gear units are suitable for use in explosion hazard areas. The following information must be observed in order to ensure adequate explosion protection.

Note all technical data stated on the name plate and comply with them. Observe the special documentation stated in field "S" of the name plate as well as instructions for equipment and attachments.

1.2.1 Field of use

- Gear units must be properly designed. Overloads may result in breakage of components. This may cause sparks. Carefully fill in the enquiry form. Getriebebau NORD GmbH & Co KG designs gear units according to the details in the enquiry form. Please note the information for gear unit selection in the enquiry form and in the catalogue.
- Explosion protection only applies for areas which correspond to the device category and the type of explosive atmosphere according to the labelling on the type plate. The type of gear unit and all technical data must comply with the planning details for the plant or machinery. If there are several operating points, the maximum drive power, torque or speed must not be exceeded in any operating point. The gear unit may only be operated in the installation position which complies with the version. Carefully check all details on the type plate before installing the gear unit.
- All work, e.g. transportation, storage, installation, electrical connection, commissioning, servicing and maintenance must be performed in a non-explosive atmosphere.
- The atmospheric conditions, in which the drive is commissioned, must be within an ambient pressure range from 80 kPa to 110 kPa and an oxygen content of approx. 21 % according to DIN EN ISO 80079-36.

1.2.2 Attachments and equipment

- Gear units with a cooling system for oil cooling must not be commissioned without lubricant cooling. The function of the lubricant cooling must be monitored. If the permissible temperature is exceeded, the drive must be shut down. Check for leaks at regular intervals.
- Equipment attached to the gear unit such as couplings (that can be mounted on input and output shafts), pulleys, cooling systems, pumps, sensors, etc., as well as drive motors must also be suitable for use in the zone with an explosive atmosphere. The ATEX labelling must conform to the details of the system and/or machine design.
- Couplings for the IEC or NEMA adapters described in this manual have no separate ATEX labelling.

1.2.3 Lubricants

- Unsuitable oils can cause an explosion risk. Therefore only use oils which correspond with the details on the name plate. Recommended lubricants can be found in the appendix to these operating and installation instructions.

1.2.4 Operating conditions

- If the gear unit is equipped with a back stop, note the minimum speed for releasing the back stop as well as the maximum speed. Gear units with a back stop on the drive shaft may only be operated with a minimum drive shaft speed of 900 min⁻¹. Speeds which are too low cause increased wear and temperature increases. Excess speeds will damage the back stop.
- If the gear unit is exposed to direct sunlight or comparable radiation, an installation-specific heat balance examination of the gear unit must be carried out by Getriebebau NORD. Impermissible temperatures are very likely without this validation.
- Even small changes to the installation conditions can have a significant effect on the temperature of the gear unit. Gear units with temperature class T4 or with a maximum surface temperature of 135 °C or less must be provided with a temperature label. The dot in the middle of the temperature label turns black if the surface temperature is too high. Take the gear unit out of service immediately if the dot has turned black.

1.2.5 Radial and axial forces

- Drive and driven elements may only be subjected to the maximum permitted radial forces F_{R1} and F_{R2} and axial forces F_{A2} indicated on the name plate (see Section 2.2 "Name plate").
- Observe the correct tension, particularly for belts and chains.
- Additional loads due to unbalanced hubs are not permitted.

1.2.6 Assembly, installation and commissioning

- Incorrect installation results in stresses and impermissibly high loads. This causes increased surface temperatures. Note the installation and assembly instructions in these operating and installation instructions.
- Before commissioning, carry out all of the checks which are prescribed in these operating and maintenance instructions in order to detect faults which could increase the risk of explosion in good time. Do not commission the gear unit if abnormalities are found during the checks. Contact Getriebebau NORD.
- For gear units with temperature class T4 or with a maximum surface temperature of less than 200 °C, carry out a measurement of the surface temperature of the gear unit before commissioning. Take the gear unit out of service if the measured surface temperature is too high.
- The gear unit housing must be earthed in order to prevent electrostatic charging.
- Defective lubrication causes temperature increases and sparks. Check the oil level before commissioning.

1.2.7 Service and maintenance

- Perform all of the inspection and maintenance work specified in these operating and installation instructions with great care, in order not to increase the risk of explosion due to functional faults and damage. The drive must be shut down if any abnormalities are detected. Contact Getriebebau NORD.
- Defective lubrication causes temperature increases and sparks. Check the oil level at regular intervals according to the details in these operating and installation instructions.
- Dust and dirt deposits cause temperature increases. Dust may also be deposited inside covers which are not dust-proof. Remove deposits at regular intervals according to the details in these operating and installation instructions.

1.2.8 Protection against electrostatic charging

- Non-conducting coatings, or low pressure hoses may become electrostatically charged. Sparks may be produced on discharge. Such components must not be used in areas in which processes that cause charging are to be expected. Oil reservoir tanks may only be located in areas with the gas group IIC.
- Having a suitable, electrostatically tested paint finish, the gear units are designed for Categories 2G Group IIC (Zone 1 Group IIC) and 2D Group IIIC (Zone 21 Group IIIC).
- In case of subsequent painting, it must be ensured that the paint used cannot become electrostatically charged.
- To prevent electrostatic charging, surfaces may only be cleaned with a damp cloth.

1.3 Applied ignition protection classes according to DIN EN ISO 80079-37

The following ignition protection types are used:

- Measures to ensure constructional safety "c"
 - Strength and thermal calculations for all applications,
 - Selection of suitable materials and components,
 - Calculation of a recommended interval for general overhaul,
 - Inspection interval for lubricant level, therefore ensuring lubrication of bearings, seals and gears,
 - Requirement for thermal check during commissioning.
- Measures to ensure encapsulation with liquid "k"
 - The gears are lubricated with a suitable lubricant,
 - Statement of approved lubricants on the name plate,
 - Statement of lubricant fill levels.
- Measures to ensure monitoring of sources of ignition "b"
 - Use of temperature monitoring for oil cooling systems as ignition protection system b1.

1.4 Do not make any modifications.

Do not make any structural modifications to the gear unit. Do not remove any protective guards. Do not change the original coating / paint or apply additional coatings / paints.

1.5 Performing inspection and maintenance work

Due to lack of maintenance and damage, malfunctions may occur which can result in personal injury.

- Carry out all servicing and maintenance work at the specified intervals.
- Also note that servicing is necessary after long storage periods prior to commissioning.
- Do not operate damaged gear units. The gear unit must not have any leaks.

1.6 Personnel qualification

All transport, storage, installation, commissioning and maintenance work must be carried out by qualified specialist personnel.

Qualified specialist personnel are persons who have the training and experience to recognise and avoid any possible risks.

Repairs may only be done by Getriebebau NORD GmbH & Co. KG or by a person authorised in accordance with the statutory regulations of explosion protection.

1.7 Safety for particular activities

1.7.1 Check for transport damage

Transport damage may cause malfunctions of the gear unit, which may cause personal injury. Oil which escapes due to leaks may cause a slipping hazard.

- Check the packaging and the gear unit for transport damage.
- Do not operate damaged gear units.

1.7.2 Safety information for installation and maintenance

Before starting work on the gear unit disconnect the drive from the power supply and secure it against accidental switch-on. Allow the gear unit to cool down. Depressurise the cooling circuit lines.

Damaged or defective components, attachment adapters, flanges and covers may have sharp edges. Wear work gloves and work clothing.

1.8 Hazards

1.8.1 Hazards when lifting

Persons may be injured by falling or swinging gear units. Therefore also observe the following information:

- Cordon off a wide area around the hazard area. Take care that there is adequate space to avoid swinging loads.
- Never stand under suspended loads.
- Use adequately dimensioned means of transport which are suitable for the purpose. The weight of the gear unit can be obtained from the type plate.
- Gear units may only be transported with shackles and lifting straps/chains at an angle of 90° to 70° to the horizontal. Do not use the eye bolts on the motor for lifting if a motor is fitted to the gear unit. The eye bolts are not designed for lifting the motor with heavy attachments. Pay attention to the section 3.1 "Transporting the gear unit".

1.8.2 Hazards due to rotating parts

Rotating parts cause a risk of entanglement. This may lead to severe injuries such as crushing or strangling.

- Provide contact protection. In addition to shafts, this also applies to fans as well as drives and driven elements such as belt drives, chain drives, shrink discs and couplings. Take possible run-on of the machine into consideration for the design of protective devices.
- Do not operate the drive without covers or hoods.
- Secure the drive to prevent activation during installation and maintenance work.
- For test operation do not switch on the drive without an installed driven element or secure the motor shaft key.
- Also observe the safety information in the operating and installation instructions provided by manufacturers of components supplied.

1.8.3 Danger on entry

Persons may fall and be seriously injured when standing on the gear unit.

- Only stand on the gear unit for maintenance and repair work and only when the gear unit is at a standstill.
- Never stand on shaft journals, protective covers, attachments and piping.

1.8.4 Hazards due to high or low temperatures

The gear unit may heat up to 90 °C during operation. Touching hot surfaces or contact with hot oil may result in burns. At very low ambient temperatures freezing may occur on contact.

- Only touch the gear unit when wearing gloves after operation or at very low ambient temperatures.
- Before starting maintenance work, allow the gear unit to cool down sufficiently after operation.
- Provide a contact guard if there is a risk that persons may touch the gear unit when it is in operation.
- Bursts of hot oil mist may be emitted from the pressure vent screw during operation. Provide a suitable guard so that persons cannot be injured by this.
- Do not place any flammable materials on the gear unit.

1.8.5 Hazards due to lubricants and other substances

Chemical substances which are used with the gear unit may be toxic. Eye injuries may result if these substances enter the eyes. Lubricants and adhesives may cause skin irritation.

Oil mist may escape when vent screws are opened.

Due to lubricants and conservation materials, gear units may be slippery and slip out of the hands. There is a slipping hazard from spilled lubricants.

- When working with chemical substances wear chemical-resistant gloves and work clothing. Wash your hands after working.
- Wear protective goggles if there is a possibility of splashed chemicals, for example when filling oil or during cleaning work.
- If chemicals enter the eyes, rinse with large amounts of cold water immediately. Consult a physician in case of symptoms.
- Observe the safety data sheets for the chemicals. Keep the safety data sheets in the vicinity of the gear unit.
- Collect spilled lubricants immediately with a binding agent.

1.8.6 Hazards due to noise

Some gear units or attached components may cause hazardous noise levels during operation. Wear hearing protection if work has to be carried out close to such gear units.

1.8.7 Hazards due to pressurised coolants

The cooling system is under high pressure. Damage or opening a cooling line which is under pressure may result in injury. Depressurise the cooling circuit before working on the gear unit.

2 Description of gear units

2.1 Gear unit types and type designations

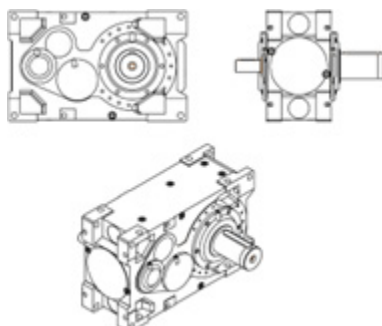
2-stage	3-stage	
SK 5207	SK 5307	
SK 6207	SK 6307	
SK 7207	SK 7307	
SK 8207	SK 8307	
SK 9207	SK 9307	
SK 10207	SK 10307	
SK 11207	SK 11307	
SK 12207	SK 12307	
SK 13207	SK 13307	
SK 14207	SK 14307	
SK 15207	SK 15307	

Table 2: Gear unit overview MAXXDRIVE® Standard – Parallel gear units

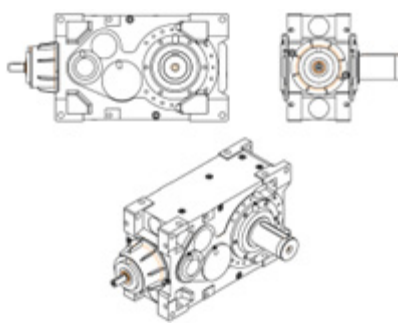
3-stage	4-stage	
SK 5407	SK 5507	
SK 6407	SK 6507	
SK 7407	SK 7507	
SK 8407	SK 8507	
SK 9407	SK 9507	
SK 10407	SK 10507	
SK 11407	SK 11507	
SK 12407	SK 12507	
SK 13407	SK 13507	
SK 14407	SK 14507	
SK 15407	SK 15507	

Table 3: Gear unit overview MAXXDRIVE® Standard – Right-angle gear units

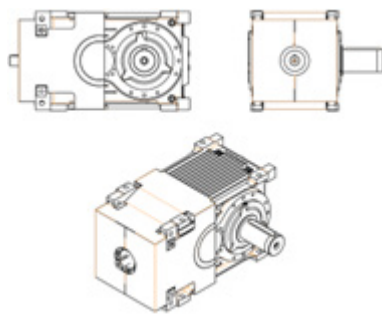
2-stage		
SK 5217		
SK 6217		
SK 7217		
SK 8217		
SK 9217		
SK 10217		
SK 11217		

Table 4: Gear unit overview MAXXDRIVE® XT – Right-angle gear units

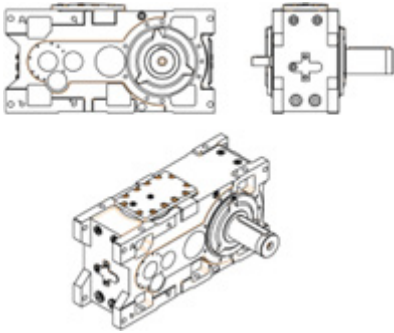
3-stage	4-stage	
SK 5321	SK 5421	
SK 6321	SK 6421	
SK 7321	SK 7421	
SK 8321	SK 8421	
SK 9321	SK 9421	
SK 10321	SK 10421	
SK 11321	SK 11421	
SK 12321	SK 12421	
SK 15321	SK 15421	

Table 5: Gear unit overview MAXXDRIVE® XD – Parallel gear units

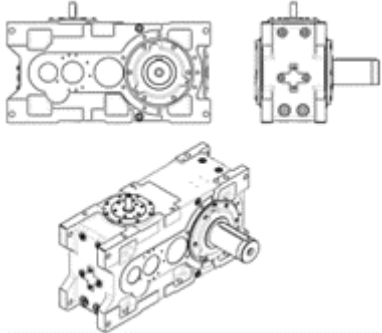
3-stage		
SK 5418		
SK 6418		
SK 7418		
SK 8418		
SK 9418		
SK 10418		
SK 11418		
SK 12418		

Table 6: Gear unit overview MAXXDRIVE® XJ – Right-angle gear units

SK 49320		
SK 59320		
SK 15319		

Table 7: Gear unit overview MAXXDRIVE® special version

Double gear units (option WG) consist of two single gear units. The type designation of the SK 13307/7282 double gear unit, for example, means that the double gear unit consists of the single gear units SK 13307 and SK 7282. For the attached gear units, note the documentation B 2000.

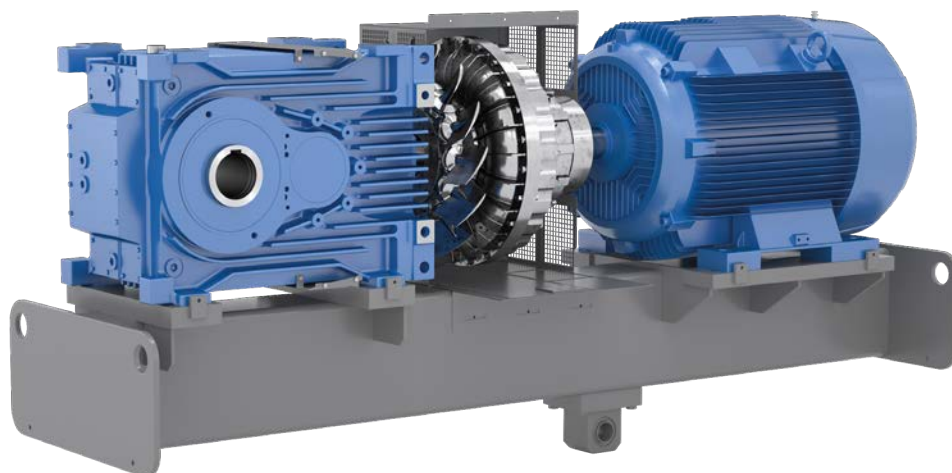


Figure 1: MAXXDRIVE® XT 2-stage helical bevel gear unit

Abbreviation	Description
A	Hollow output shaft
B	Fixing element
CC	Cooling coil
CS1-X	Cooling system oil/water
CS2-X	Cooling system oil/air
D	Torque arm
DB	Drying agent filter
DRY	Additional measures against oil leak for installation position M5 (True Drywell) with standard bearings
EA	Splined hollow output shaft
ED	Elastic torque arm (details on name plate D)
EF	Cellulose filter
EV	Splined solid output shaft
EW	Splined input shaft
F	B14 output flange
FAN-A	Axial fan
FAN-R	Radial fan
FK	B5 output flange
FV	Ventilation filter
F1	Input flange
H	Covering cap
H66	IP66 cover
IEC	Standard IEC motor mounting
KL2	Agitator version - Standard bearings
KL3	Agitator version - Standard bearings - Drywell
KL4	Agitator version - Standard bearings - True Drywell
KL6	Agitator version - Standard bearings - True Drywell - Foot mounting
L	Solid output shaft on both sides
LC	Circulation lubrication with oil injection for roller bearings, oil level reduced
LCX	Circulation lubrication with oil injection for roller bearings and gearing, oil level considerably reduced
M	GRIPMAXX™
MC	Motor bracket
MF...	Motor base frame
MFB	Motor base frame with brake
MFK	Motor base frame with elastic coupling
MFT	Motor base frame with hydrodynamic coupling
MO	Measuring devices and sensors
MS...	Motor swing base
MSB	Motor swing base with brake
MSK	Motor swing base with elastic coupling
MST	Motor swing base with hydrodynamic coupling
MT	Motor mount
NEMA	Standard NEMA motor attachment
OH	Oil heater
Oil sight glass	Oil inspection glass

Abbreviation	Description
Oil gauge	Oil level indicator
OT	Oil reservoir tank
PT100	Temperature sensor
W	Back stop
S	Shrink disc
SAFOMI	No-seal motor adapter for vertical gear units
V	Solid output shaft
VL	Reinforced bearings
VL2	Agitator version - Reinforced bearings
VL3	Agitator version - Reinforced bearings - Drywell
VL4	Agitator version - Reinforced bearings - True Drywell
VL5	Extruder flange version
VL6	Agitator version - Reinforced bearings - True Drywell - Foot mounting
W	Free input shaft
W2	Two free input shaft journals
W3	Three free input shaft journals
WG	First-stage gear unit
WX	Auxiliary drive

Table 8: Versions and options

2.2 Name plate

The name plate must be permanently attached to the gear unit and must not be exposed to permanent soiling. Please contact the NORD service department if the name plate is illegible or damaged.

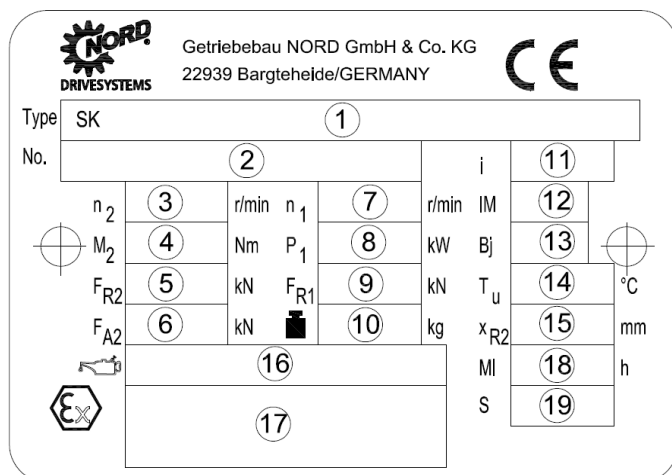


Figure 2: Name plate

Explanation

- | | | | |
|----|--|----|---|
| 1 | NORD gear unit type | 16 | Lubricant type, viscosity and quantity |
| 2 | Serial number | 17 | Labelling according to DIN EN ISO 80079-36: |
| 3 | Nominal speed of gear unit output shaft ¹⁾ | 1. | Group (always II, not for mines) |
| 4 | Rated torque of gear unit output shaft | 2. | Category (2G, 3G for gas, or 2D, 3D for dust) |
| 5 | Max. permissible transverse force on the gear unit output shaft | 3. | Labelling of non-electrical devices (Ex h) or ignition protection type, if present (c) |
| 6 | Max. permissible axial force on the gear unit output shaft | 4. | Explosion group, if present (Gas: IIC, IIB; Dust: IIIC, IIIB) |
| 7 | Nominal speed of the gear unit input shaft or drive motor ¹⁾ | 5. | Temperature class (T1–T3 or T4 for gas) or max. surface temperature (e.g. 125 °C for dust) or special max. surface temperature, see special documentation |
| 8 | Max. permissible drive power | 6. | EPL (equipment protection level) Gb, Db, Gc, Dc |
| 9 | Max. permissible transverse force on the gear unit input shaft for option W | 7. | Note the special documentation and/or temperature measurement during commissioning (x) |
| 10 | Weight | 18 | Interval for general overhaul in operating hours or according to the specification of the dimensionless maintenance class CM |
| 11 | Overall gear unit ratio | 19 | Number of the special documentation |
| 12 | Installation position | | |
| 13 | Year of manufacture | | |
| 14 | Permissible ambient temperature range | | |
| 15 | Max. dimension for the point of application of the transverse force F_{R2} | | |

¹⁾ The maximum permissible speeds are 10% above the nominal speed if the maximum permissible drive power P_1 is not exceeded.
If the fields F_{R1} , F_{R2} , and F_{A2} are empty, the forces are zero. If the field x_{R2} is empty, the point of application of force F_{R2} is central on the output shaft journal.

For geared motors (gear units with attached electric motor), the electric motor has its own name plate with separate labelling according to Directive 2014/34/EU (ATEX). The motor labelling must also comply with the data for the system and machine planning.

The lower explosion protection on the gear unit and electric motor labelling applies for the geared motor unit.

If the electric motor is driven with a frequency inverter, the motor requires approval for inverter operation according to Directive 2014/34/ EU. If the motor is operated with an inverter, significant differences between the nominal speeds on the name plates of motor and the gear unit are normal and permissible. For operation of the motor with mains supply, differences of the nominal speeds on the name plates of motor and gear unit of up to ± 60 rpm are permissible.

3 Transport, storage, assembly

3.1 Transporting the gear unit

 **WARNING**

Hazard due to falling loads

- Do not use the eye bolts on a mounted motor to lift the unit.
 - Note the centre of gravity of the gear unit.
-

Transport the gear unit with care. Impacts to the free ends of shafts may cause internal damage to the gear unit.

No additional loads must be attached to the gear unit.

Use suitable aids such as cross-beams or similar to facilitate the attachment or transportation of the gear unit. Gear units without eyebolts may only be transported with shackles and lifting straps or chains at an angle of 90° to 70° to the horizontal.

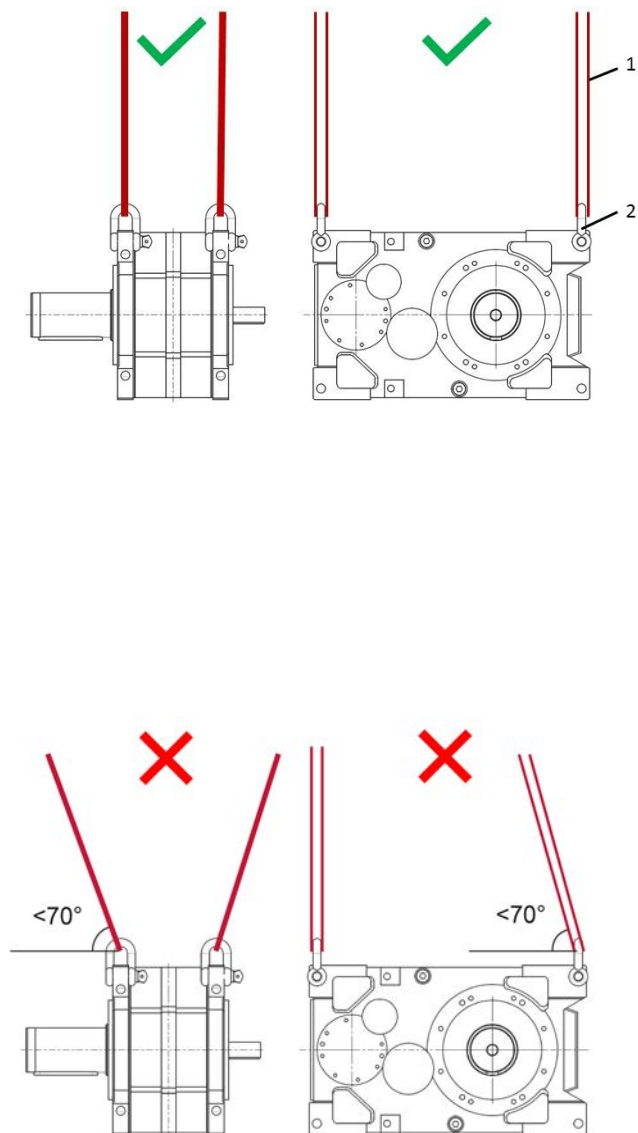
Only transport gear units which are filled with oil in their installation position.

Attachment to the ring bolts must not result in diagonal pulling. If necessary, use suitable attachment swivels.

Check the lifting gear before use.

The illustrations in the following sub-sections show examples for transporting the gear unit.

3.1.1 Transport of standard gear units



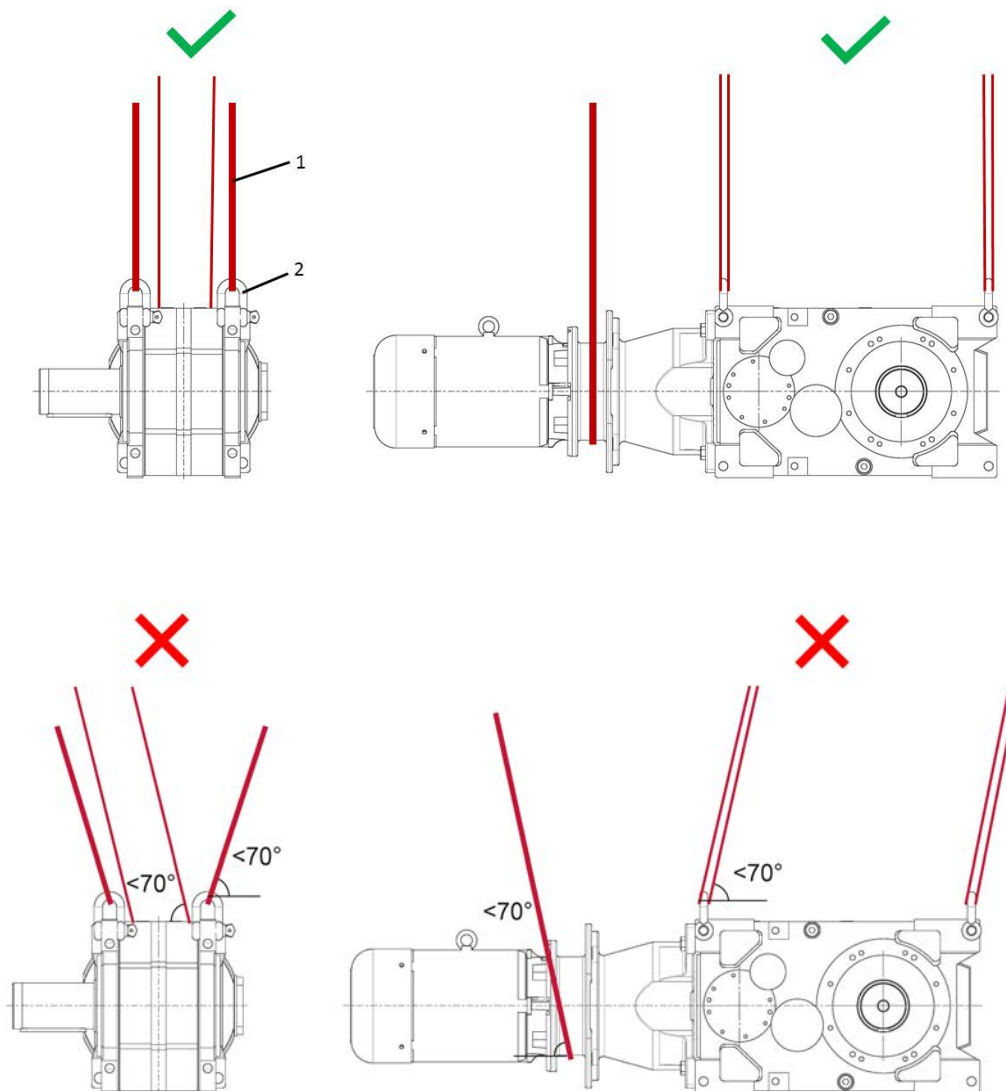
Legend

- 1: Lifting strap
- 2: Shackle
- ✗: Not permissible
- ✓: Permissible

Figure 3: Transport of standard gear unit

3.1.2 Transport of gear units with motor adapter

The ring bolts on the motor must **not** be used for transportation.



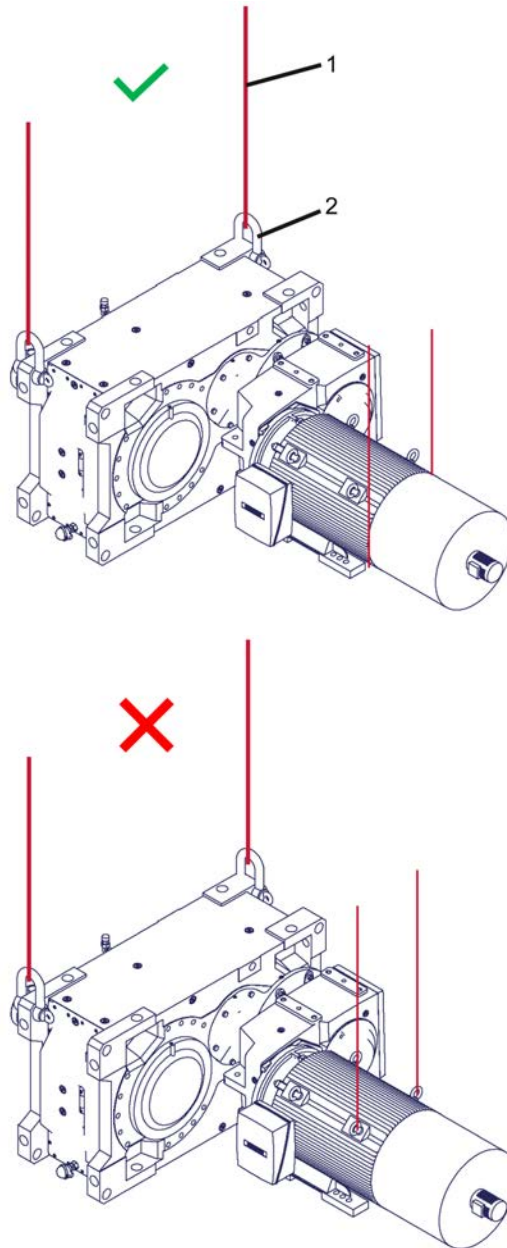
Legend

- 1: Lifting strap
- 2: Shackle
- ✗: Not permissible
- ✓: Permissible

Figure 4: Transport of gear units with motor adapter

3.1.3 Transport of gear units with auxiliary drives or first stage gear units (Option: WG, WX)

The eyebolts on the auxiliary drive, on the first stage gear unit or on the motor must **not** be used for transportation.



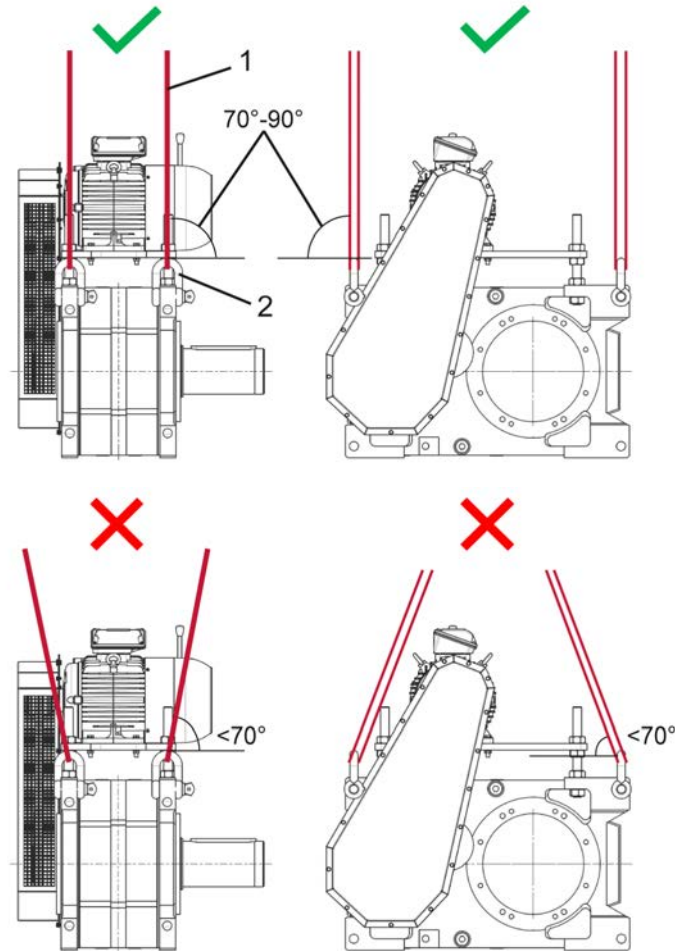
Legend

- 1: Lifting strap
- 2: Shackle
- ✗: Not permissible
- ✓: Permissible

Figure 5: Transport of gear units with auxiliary drives or first stage gear units

3.1.4 Transport of gear units with V-belt drives

The ring bolts on the motor and the motor bracket must **not** be used for transportation.



Legend

- 1: Lifting strap
- 2: Shackle
- ✗: Not permissible
- ✓: Permissible

Figure 6: Transport of gear units with V-belt drives

3.1.5 Transport of agitator version gear units

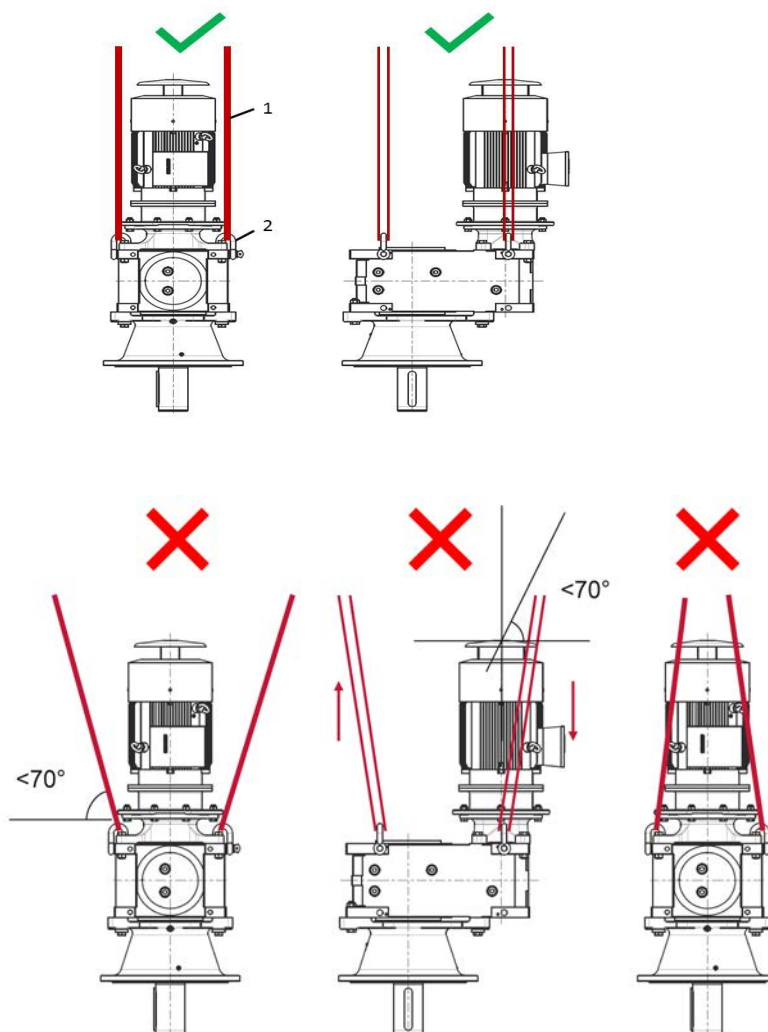
The ring bolts on the motor must **not** be used for transportation.

Special lifting gear must be used to ensure correct transport if the shackle holes cannot be used due to the IEC attachment. DIN 580 and DIN 582 ring bolts may not be used.

WARNING

Danger of injury due to the gear unit tipping or falling over

- Pay attention to the centre of gravity of the gear unit.
- Transport the motor in a position which is as vertical as possible.



Legend



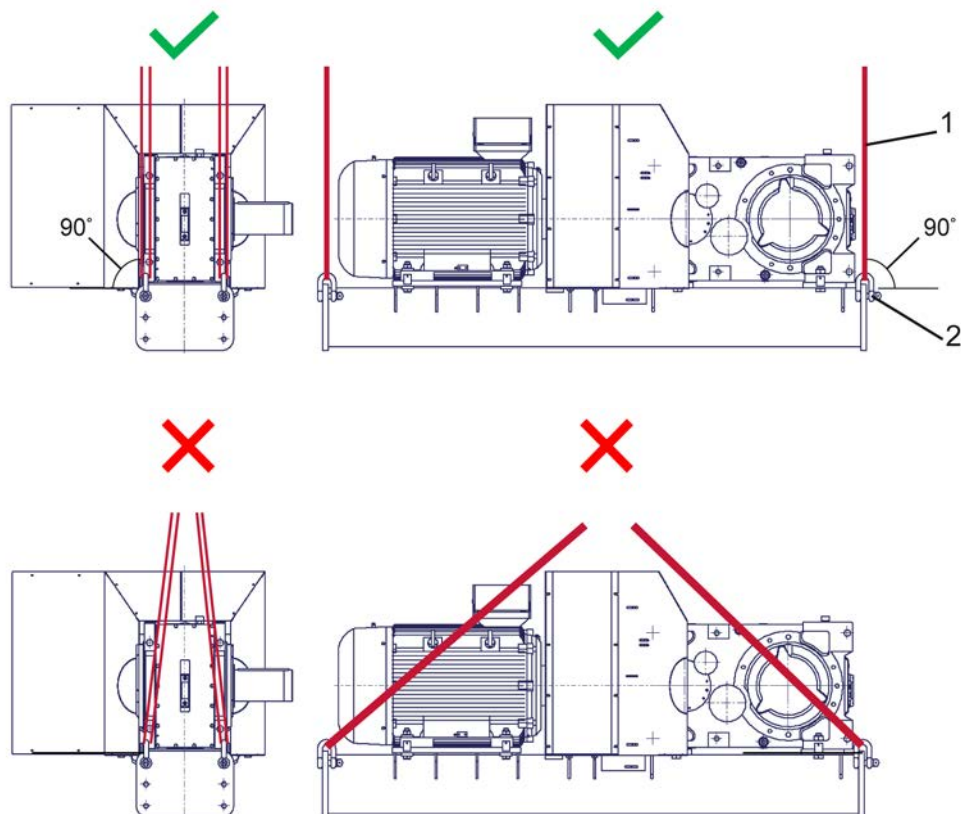
- 1: Lifting strap
- 2: Shackle
- : Not permissible
- : Permissible

Figure 7: Transport of agitator version gear units

3.1.6 Transport of gear unit with motor swing base or base frame

Motors with a motor swing base or base frame may only be transported with shackles and lifting straps which are vertically aligned. Only use the attachment points on the motor swing base or on the base frame.



Legend

- 1: Lifting strap
- 2: Shackle
- ✗: Not permissible
- ✓: Permissible

Figure 8: Transport of gear unit with motor swing base or base frame

3.2 Storage and downtimes

3.2.1 General measures

- Store the gear unit in a dry space, relative humidity less than 60%.
- Store the gear unit at a temperature in the range of -5 °C to $+50\text{ °C}$ without severe temperature fluctuations.
- Do not expose the gear unit to direct sunlight or UV light.
- There must be no aggressive or corrosive substances (contaminated air, ozone, gases, solvents, acids, alkalis, salts, radioactivity etc.) in the immediate vicinity.
- The gear unit must not be exposed to vibration or oscillation.
- Store the gear unit in the mounting position (see chapter 7.1 "Versions and mounting position"). Secure it against falling.

3.2.2 Storage and downtimes in excess of 3 months

Note the following measures in addition to Section 3.2.1 "General measures".

- Repair damages to the coating. Check if a corrosion protection agent has been applied to the flange bearing surfaces, the shaft ends and the unpainted surfaces. If required, apply a suitable corrosion protection agent to the surfaces.
- Seal all openings on the gear unit.
- The output shaft must be rotated by at least one revolution every 3 months so that the contact position of the gear teeth and the roller bearings are changed.

For this, the gear unit should not be operated DOL (direct online) to avoid sliding of the roller bearings.

- For gear units with circulation lubrication (Option: LC, LCX), the motor pump must be started every 3 months. For this, the gear unit or the pump should not be operated DOL (direct online). The speed should be gradually increased from 50 % of the speed which is stated on the name plate to prevent excessive pressures in the pump and the lubricant lines during cold starting.
- Check the interior conservation regularly. The components must be wetted with oil.

3.2.3 Storage and standstill periods of more than 9 months

Under certain conditions, storage of 2 to 3 years is possible. The specified storage duration is only approximate. The actual storage duration depends on the local conditions. Note the following measures in addition to Sections 3.2.1 "General measures" and 3.2.2 "Storage and downtimes in excess of 3 months".

Gear units can be supplied prepared for long-term storage. The gear units are completely filled with lubricant, have VCI corrosion protection agent mixed with the gear oil or are filled with small quantities of VCI concentrate. The adhesive label on the housing shows the respective information.

Conditions of the gear unit and storage area for long-term storage prior to commissioning:

- Store the gear unit at a temperature in the range of -5 °C to $+40\text{ °C}$ without severe temperature fluctuations.
- Check if the sealing cord in the vent screw is in place. It must not be removed during storage.
- Store the gear unit in a dry space. With a relative humidity less than 60%, the gear unit can be stored for up to 2 years; with a relative humidity less than 50%, storage of up to 3 years is possible.
- In tropical regions, protect the gear unit against damage by insects.
- Gear unit components such as motors, brakes, couplings, belt drive, and cooling units must be protected for a long-term storage in accordance to their operating instructions.
- For gear units, which are filled with VCI concentrate for long-term storage, the VCI concentrate must be renewed after 2 years and distributed in the oil by rotating the input shaft.

In addition to the preparations listed in 4 "Commissioning", the following measures are necessary before commissioning:

- Check the gear unit for external damage.
- After storage of more than 2 years, or with storage temperatures outside the permissible range from -5 °C to $+40\text{ °C}$, change the lubricant in the gear unit before commissioning.
- If the gear unit is completely filled, the oil level must be reduced according to the mounting position. For the lubricant quantity and lubricant type, refer to the information on the name plate.
- For gear units without oil filling, the oil level must be refilled and checked according to chapter 5.2.6 "Oil level" before commissioning. The VCI concentrate may remain in the gear unit. The VCI concentrate is not mixable with polyglycol-based lubricants (PG oils). If PG oils are used, the VCI concentrate must be removed from the gear unit. When using VCI additive, only use the oil types, which are specified on the name plate and are approved by Getriebebau NORD (see chapter 7.3.2 "Gear oils").
- For options VL2/KL2 to VL6/KL6, the grease-lubricated bearing in the lower output flange must be re-greased after a gear unit's storage time of more than 2 years. Even after standstill periods of more than 9 months, the service life of the grease is reduced (see chapter 5.2.16 "Re-lubricating the bearing in the output flange (Option: VL2/3/4/6, KL2/3/4/6)").
- Gear units filled with VCI concentrate for long-term storage are fully closed. Take care that the vent is fitted and released as necessary prior to commissioning. The installation position can be obtained from the specific dimension sheet for the order.

3.3 Checking the version

The gear unit may only be operated in the stated version. The permissible version is stated in the field IM on the name plate. Gear units with the abbreviation UN in field IM of the name plate are version-independent. Section 7.1 "Versions and mounting position" shows the versions of the individual gear unit types. If an X is present in the field IM, the special documentation, whose number is stated in field S, must be observed.

Ensure that the version as stated on the name plate complies with the installation position and that the installation position does not change during operation.

For geared motors, also pay attention to the operating instructions of the motor.

3.4 Preparing for installation

3.4.1 Check for damages

Please examine the delivery for transport and packaging damage immediately on receipt. Pay particular attention to radial shaft seals and sealing caps. Report any damage to the carrier immediately.

Do not put the drive into operation if damage such as leaks are visible.

3.4.2 Remove corrosion protection agents

All bare metal surfaces and shafts of the drive are protected with corrosion protection agents before shipping.

Thoroughly remove corrosion protection agents and any dirt (e.g. colour residues) from all shafts, flange surfaces and gear unit attachment surfaces before assembly.

3.4.3 Check rotational direction

If an incorrect rotational direction may result in damage or potential risk, check for the correct rotational direction of the output shaft during a test run before attaching it to the machine. Ensure the correct rotational direction during operation.

For gear units with an integrated back stop, switching the drive motor to the blocked direction of rotation, may result in damage to the gear unit. Gears with integrated back stops are marked with arrows on the drive/driven sides. The arrows point in the rotation direction of the gear unit. When connecting the motor and during motor control, ensure, e.g. by testing the field of rotation, that the gear unit can only operate in the direction of rotation.

3.4.4 Check ambient conditions

Make sure that no aggressive or corrosive substances which attack metal, lubricants or elastomers are present at the installation site or are subsequently expected during operation. If such substances are to be expected, contact Getriebebau NORD.

The gear unit, especially its radial shaft seals should be protected from exposure to direct sunlight.

3.4.5 Installing the oil reservoir tank (Option OT)

The oil level tank (Option: OT) is fitted as standard prior to delivery of the gear unit. If this is not the case, the intended position can be obtained from the order-related dimension sheet.

3.4.6 No-seal adapter for vertical gear units (option : SAFOMI)

The SAFOMI motor adapter is sealed on delivery. Bring the gear unit into the installation position and carefully remove the sealing cover.

NOTICE

Damage to bearings, gearwheels and shafts.

Foreign bodies in the gear unit can damage bearings, gearwheels and shafts.

- Prevent the entry of foreign bodies into the gear unit.

3.5 Installing the gear unit

DANGER



Explosion hazard

- No explosive atmosphere must be present when installing the gear unit.

NOTICE

Damage of bearing and gear wheel

- Do not carry out any welding work on the gear unit.
- Do not use the gear unit as earth connection for welding work.

The following conditions must be met at the installation site in order to prevent overheating during operation:

- Air must be able to flow freely past all sides of the gear unit.
- A free space of 30° must be ensured around the fan intake.
- The gear unit must not be enclosed or encased.
- The gear unit must not be exposed to highly energetic radiation.
- Do not direct warm exhaust air from other units onto the gear unit.
- The base or flange to which the gear unit is attached must not input any heat into the gear unit during operation.
- Do not allow dust to accumulate in the area of the gear unit

Please contact NORD if the conditions stated above cannot be met.

The base on which the gear unit is fitted must be vibration-free, torsionally rigid and flat. The flatness of the bolting surface on the base must be of the requested precision (see chapter 7.5 "Tolerances for bolting surfaces"). The base must be designed according to the weight and torque, taking into account the forces acting on the gear unit. Bases which are insufficiently rigid may lead to radial and axial displacement during operation, which is not measurable when the unit is stopped. When attaching the gear unit to a concrete base using masonry bolts or base blocks, provide appropriate recesses in the base. Tensioning bars must be cast into the concrete base in their aligned state.

Precisely align the gear unit with the drive shaft of the machine in order to prevent additional forces from being imposed on the gear unit due to distortion. The service life of shafts, bearings and couplings depends on the precision of alignment of the shaft. Therefore, zero deviation should always be aimed for in alignment. For the tolerances of the shaft journals and the flange connection dimensions, refer to the order-related dimension sheet. Also note the requirements in the operating instructions of the used coupling.

Fasten the gear unit with all screws. Use screws with a minimum quality of 8.8. Tighten the bolts with correct torques (see chapter 7.4 "Screw tightening torques").

Earth the gear unit housing. For geared motors, ensure the earthing via the motor connection.

3.6 Installation of a hub on solid shaft (option: V, L)

DANGER



Explosion hazard due to increased temperature or sparks

The gear unit may heat up to an impermissible extent if transverse forces are applied unfavourably. Bearing, gearing and housing may be damaged and cause sparks.

- The transverse force must be applied as closely as possible to the gear unit.

For solid shaft version (Option: V, L) the drive shaft and the output shaft are each equipped with a closed key groove according to DIN 6885 and a centring hole according to DIN 332.

The corresponding 6885-A key is included in the scope of delivery.

NOTICE

The gear unit may be damaged by axial forces.

Bearings, gearwheels, shafts and housings may be damaged by incorrect fitting.

- Use a suitable pulling device.
- Do not hit the hub with a hammer.

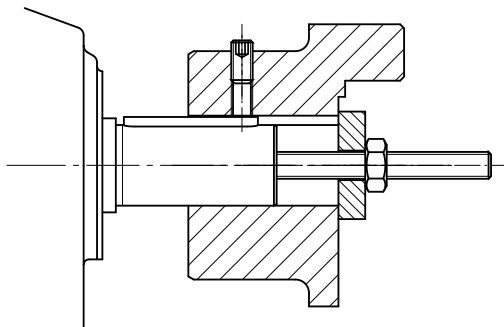


Figure 9: Example of a simple pulling device

During fitting, ensure that the shaft axes are precisely aligned with each other. Comply with the permissible tolerance details provided by the manufacturer.

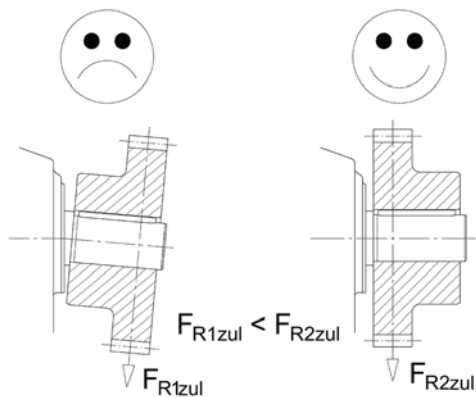
Information

Use the end thread of the shafts for pulling. Fitting can be facilitated by coating the hub with lubricant or heating it up to approx. 100 °C beforehand.

Position the coupling according to the coupling installation instructions on the specific drawing for the order. If no position details are stated on the drawing, align the coupling flush with the end of the motor shaft.

The maximum radial forces FR1 and FR2 and axial forces FA2 which are imposed on the driving and driven elements of the gear unit must not be exceeded (refer to the name plate). Pay particular attention to the correct tension of belts and chains.

Additional loads due to unbalanced hubs are not permitted.



The transverse force must be applied as closely as possible to the gear unit. For drive shafts with free shaft ends (Option W), the maximum permissible transverse force F_{R1} applies for the application of the transverse force to the centre of the free shaft journal. For output shafts, the application of the transverse force F_{R2} must not exceed the dimension x_{R2} . If the radial force F_{R2} is stated on the name plate, but no dimension x_{R2} is stated, application of force is assumed to be to the centre of the shaft journal.

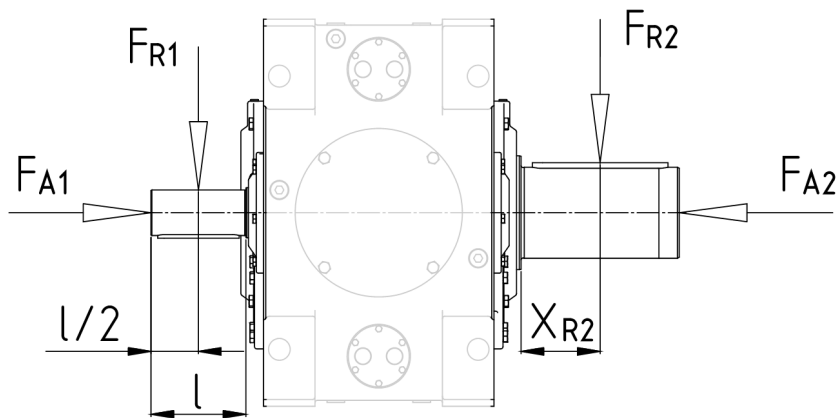


Figure 10: Permissible application of force to drive and driven shafts

3.7 Assembly of gear units with hollow shaft (option A, EA)

NOTICE

The gear unit may be damaged by axial forces.

Bearings, gearwheels, shafts and housings may be damaged by incorrect installation.

- Check the hollow shaft and the machine shaft for damaged seats and edges and fix all possible damage before assembly.
- Use a suitable pulling device.
- Do not hit the hub with a hammer.
- Before and after pulling, align the hollow shaft precisely with the machine shaft. The hollow shaft must not be tilted.

The required length of the key of the machine solid shaft must be sufficiently designed in order to ensure safe transmission of forces. If splines are used (option EA), the splines on the solid shaft of the machine must be of correct size and tolerances.

Assembly and subsequent dismantling is facilitated by applying an anti-corrosive lubricant to the shaft before fitting (e.g. NORD Anti-Corrosion Part No. 089 00099). Excess lubricant may escape after fitting and may drip off. Thoroughly clean these points on the output shaft after a running-in time of approx. 24 hours.

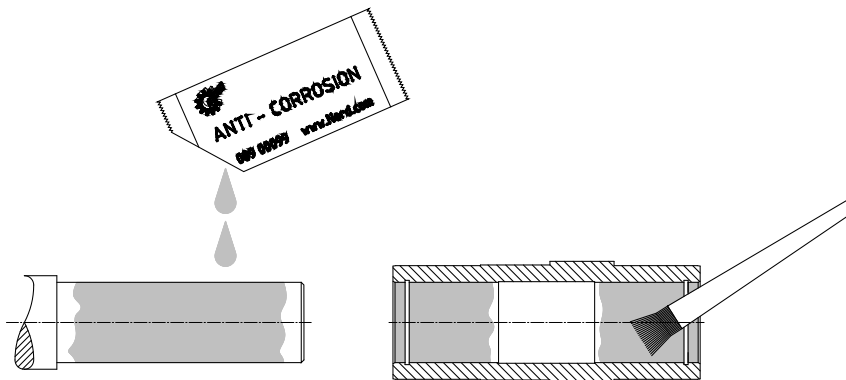


Figure 11: Applying lubricant to the shaft and the hub

3.7.1 Fitting a hollow shaft with fastening element (option B)

The gear unit can be fitted to shafts with and without a shoulder using the fixing element (option B). Tighten the fixing element bolt with the correct torque (see chapter 7.4 "Screw tightening torques").

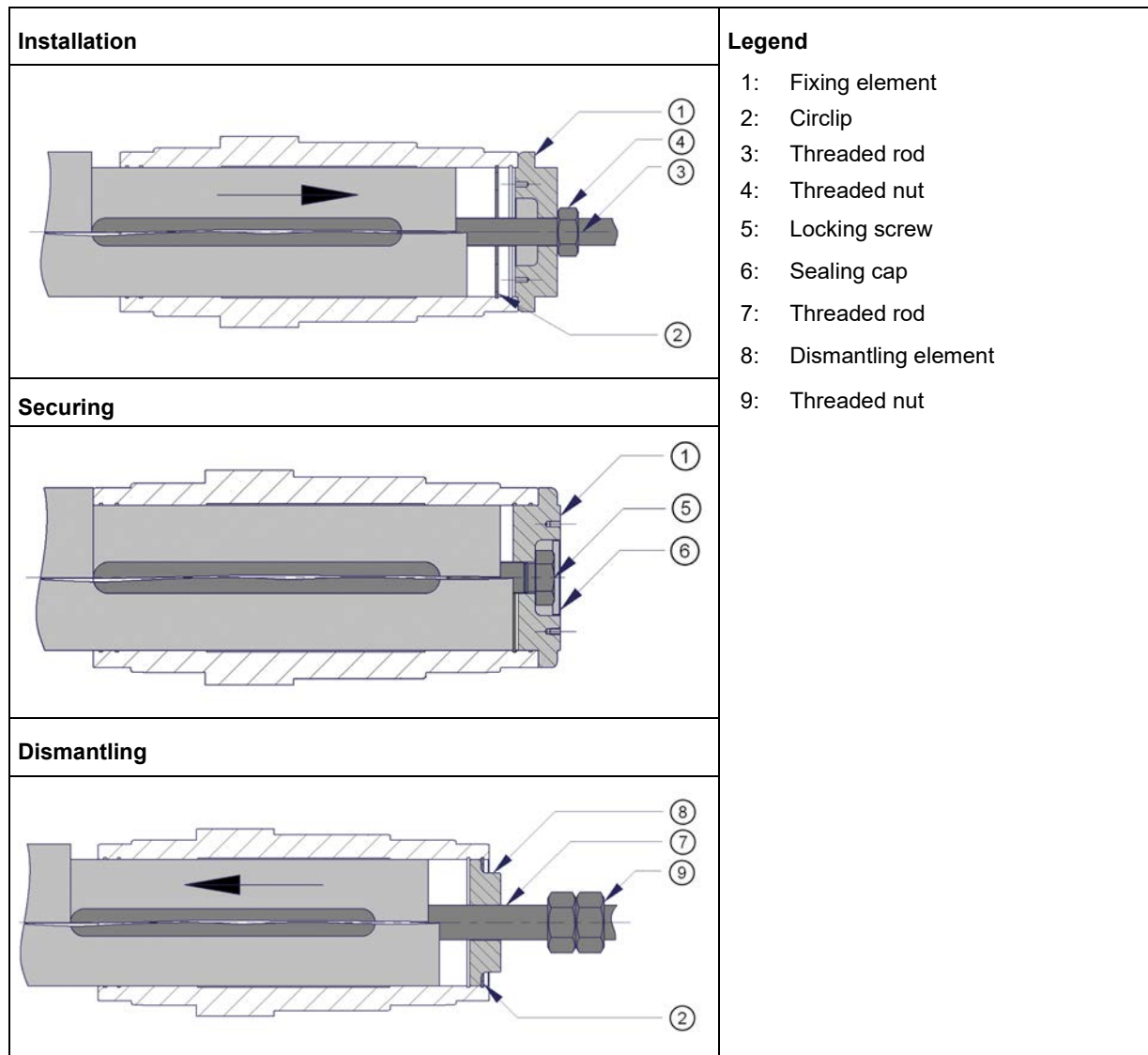


Figure 12: Assembly and disassembly of the fixing element (schematic diagram)

The attachment depends on the shaft version.

Installation

For versions with shoulders:

1. With the aid of the fixing element (1), the threaded rod (3) and the threaded nut (4), push the hollow shaft up to the stop in the shoulder of the shaft.

For versions without shoulders:

1. Insert the correct circlip (2) into the inner locking groove of the shaft.
2. With the aid of the fixing element (1), the threaded rod (3) and the threaded nut (4), push the hollow shaft until it is stopped by the circlip (2)

Securing

For versions with shoulders:

1. Place the fixing element (1) with the long centring diameter into the shaft and secure it with the locking screw (5).

For versions without shoulders:

1. Place the fixing element (1) with the long centring diameter into the shaft and secure it with the locking screw (5). The fixing element (1) must be fully adjacent to the front side of the hollow shaft.

Dismantling

1. Place the dismantling element (8) on the face end of the shaft.
2. Insert the correct circlip (2) into the outer locking groove of the hollow shaft and position the dismantling element with the circlip.
3. Screw the threaded rod (7) into the dismantling element (8) to remove the gear unit from the machine shaft.

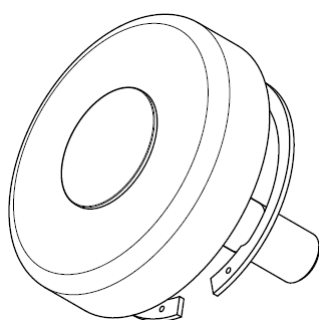


Figure 13: Fixing element (example)

3.7.2 Fitting a hollow shaft with shrink disc (Option: S)

NOTICE

Risk of damage to the gear unit if the shrink disc is installed incorrectly

- Do not tighten the tensioning bolts if the solid shaft is not installed. This would permanently deform the hollow shaft.

Hollow shafts with shrink discs must be protected from dust, dirt and moisture. NORD recommends option H/H66 (see chapter 3.12 "Installing the cover cap, air baffle (Option: H, H66, FAN, MF..., MS...)").

The shrink disc is supplied ready for fitting. It must not be dismantled prior to fitting.

The solid shaft material must have a minimum yield strength of 360N/mm². This ensures that no permanent deformation occurs due to the clamping force.

Always observe the documentation from the manufacturer of the shrink disc.

Prerequisites

- The hollow shaft must be completely free of grease.
- The standard solid shaft of the machine must be completely free of grease.
- Unless otherwise stated in the specific dimension sheet for the order, the external diameter of the solid shaft must be within the tolerance h6 if the diameter is up to and including 160 mm or g6 for larger diameters. The fit must be according to DIN EN ISO 286-2.

Fitting procedure for 2-part shrink disc

Information

The installation is distance-controlled.

A torque wrench is thus not required.

1. Remove the cover, if any.
2. Loosen the tensioning bolts of the shrink disc, but do not unscrew them completely. Tighten the tensioning bolts gently by hand until there is no play between the flanges and the inner ring.
3. Push the shrink disc up to the specified position on the hollow shaft. For the position, refer to the order-related dimension sheet.
4. For a special hollow shaft with bronze bushing, grease the solid shaft of the machine in the area which will later come into contact with the bushing in the hollow shaft (Figure 14). Do not grease the bronze bushing. It is essential that the tensioning seat of the hollow shaft is free of grease.

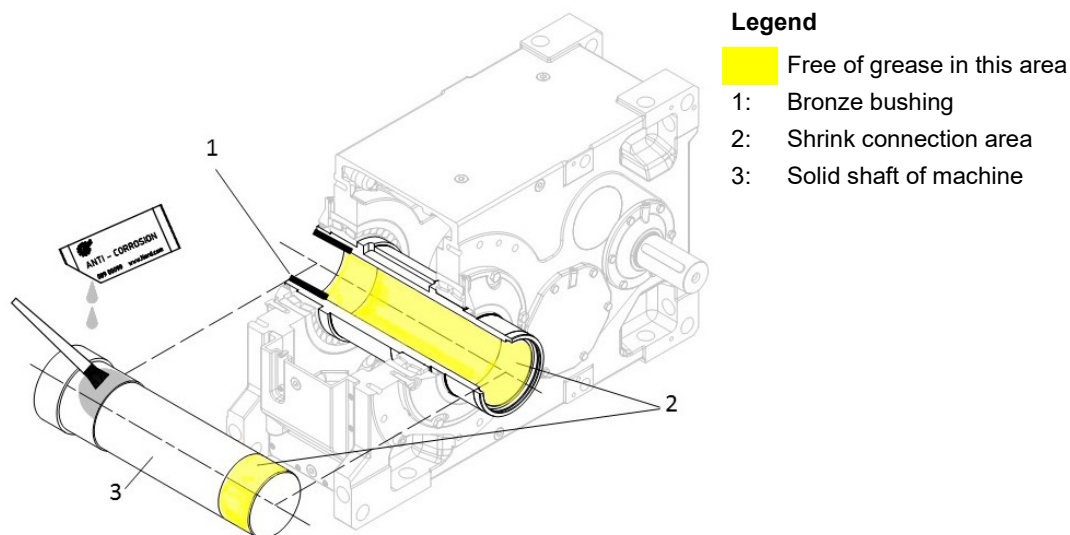


Figure 14: Machine shaft assembly for special hollow shafts with shrink discs

For a standard hollow shaft, do not apply grease to the solid shaft of the machine.

5. Insert the solid shaft of the machine into the hollow shaft so that the area around the shrink connection is completely filled.
6. Tighten the tensioning bolts of the shrink disc with approx. $\frac{1}{4}$ rotation of the bolt per turn **in sequence** in a clockwise direction by several turns.

7. After tightening the tensioning bolts the face of the inner ring on the screw side must be flush with the face of the outer ring. The shrink disc must be checked visually for distortion (Figure 15).

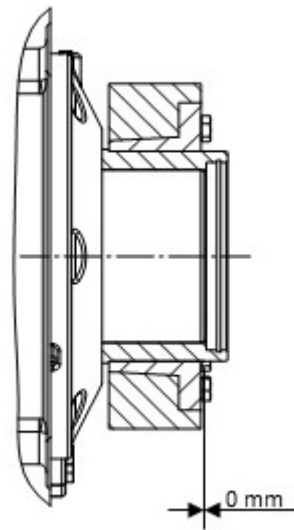


Figure 15: Fitted shrink disc

8. Mark the hollow shaft of the gear unit and the solid shaft of the machine with a label in order to detect any slippage under load.

Standard disassembly procedure:

1. Loosen the tensioning bolts of the shrink disc with approx. $\frac{1}{4}$ rotation of the bolt per turn **in sequence** in a clockwise direction by several turns. Do not remove the tensioning bolts from their thread.
2. If the external ring does not detach from the inner ring after approx. one turn of all screws, the external ring can be released with the aid of the push-off thread. Screw as many tensioning bolts as are necessary into the push-off threads evenly until the external ring separates from the internal ring.
3. Press the gear unit off the hollow shaft from the solid shaft of the machine.

If a shrink disc has been in use for a long period or is dirty, dismantle it and clean it before refitting. Check the shrink disc for damage or corrosion. Replace the damaged elements if they are not in perfect condition.

For maintenance measures, see the operating instructions from the manufacturer of the shrink disc.

3.8 Installing a flange version gear unit (Option: F, FK, VL2/3/4/5, KL2/3/4)

NOTICE

Risk of gear unit damage from distortion

- Flange version gear units must only be bolted to the flange of the driven machine.

The bolting surface of the driven machine must comply with the tolerances in Section 7.5 "Tolerances for bolting surfaces". The flange of the driven machine must be free of vibration and torsionally rigid.

The diameter of the hole circle and the size of the threaded holes on the flange of the gear unit can be obtained from the order-related dimension sheet.

The bolting surfaces of both flanges must be clean.

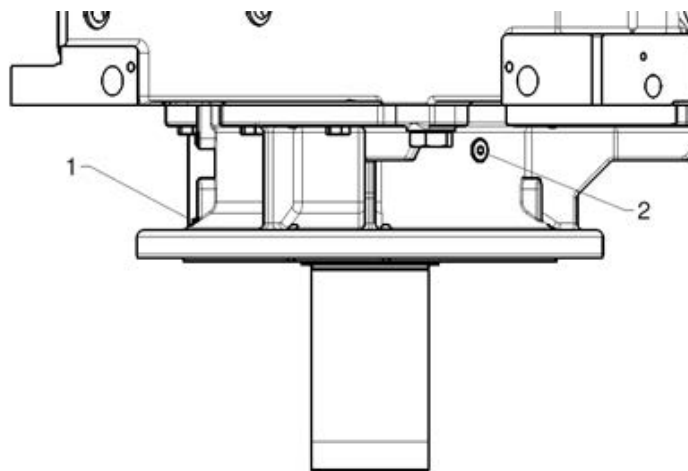
3.8.1 Agitator version (Option: VL2, KL2)

These options provide reinforced drive shaft bearings with a greater bearing spacing. These can absorb high radial and axial forces for a longer service life.

For Option VL2, the bottom bearing is an oversized, double-row spherical roller bearing.

For Option KL2, the bottom bearing is a conical roller bearing.

On the flange, there is a grease nipple for the bottom bearing as well as a screw plug, through which excess grease can escape from the grease chamber.



Legend

- 1: Grease nipple
- 2: Closing cap for grease escape

Figure 16: VL2 Option

3.8.2 Agitator version with Drywell (Option: VL3, KL3)

NOTICE

Check the leak indicator regularly (see chapter 5.2.6.5 "Checking the leak indicator (Option: VL3, KL3 with Drywell)").

These options have the same dimensions and load limits as Option VL2/KL2 (see 3.8.1 Agitator version (Option: VL2, KL2)).

The difference is that in the area of the lower roller bearing an oil-free space is created by sealing with two radial shaft sealing rings. There is also an additional seal to the atmosphere below the bottom bearing. This design is known as Drywell. It enables detection of leaks before oil escapes outside of the gear unit. For leak indication, there is an oil inspection glass on the flange.

The bottom bearing is grease-lubricated. It is sufficiently filled with grease as delivered, however, it must be re-lubricated regularly (see chapter 5.1 "Inspection and maintenance intervals").

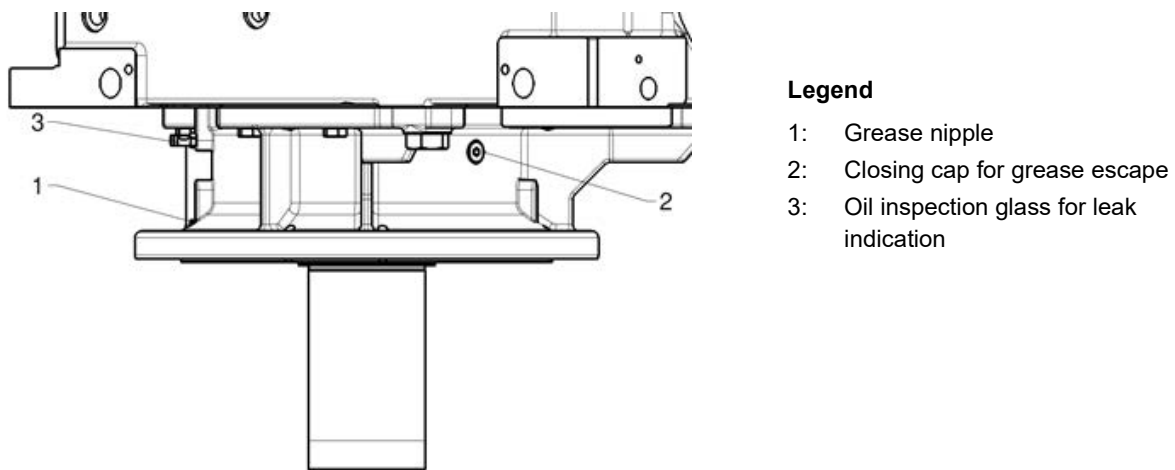


Figure 17: Option VL3/KL3 and VL4/KL4

3.8.3 Agitator version with True Drywell (Option: VL4, KL4)

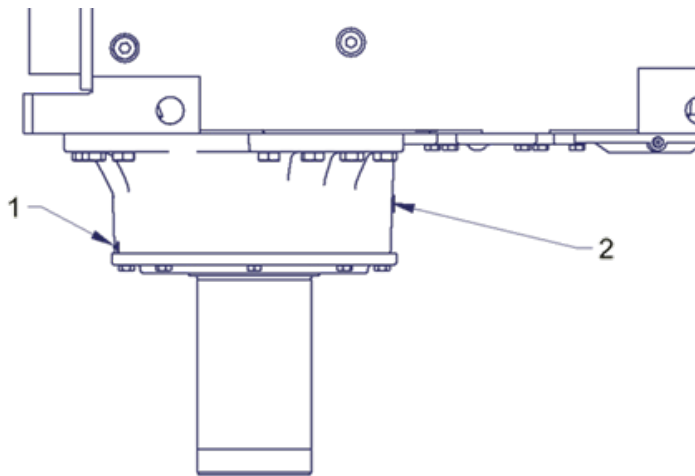
Compared to Options VL3 and KL3 (see 3.8.2 Agitator version with Drywell (Option: VL3, KL3)), these options are equipped with additional protection against leakage (see chapter 3.9 "True Drywell version gear units (Option: VL4, KL4, VL6, KL6, DRY)"). The risk of leakage is reduced by means of an oil level tube with an additional V-ring seal and several O-rings. In addition, reduction of the oil fill level minimises losses due to splashing.

3.8.4 Extruder flange version (Option: VL5)

The extruder flange version combines customised flange and hollow shaft dimensions as well as radial and axial tolerances with two or three different standardised axial floating roller bearings per gear unit size.

3.8.5 Agitator version with True Drywell and foot mounting (Option: VL6, KL6)

These options include the entire internal elements of Option VL4 or KL4 (see 3.8.3 Agitator version with True Drywell (Option: VL4, KL4)). The elements are installed in a bolt-on housing without a flange.



Legend

- 1: Grease nipple
- 2: Closing cap for grease escape

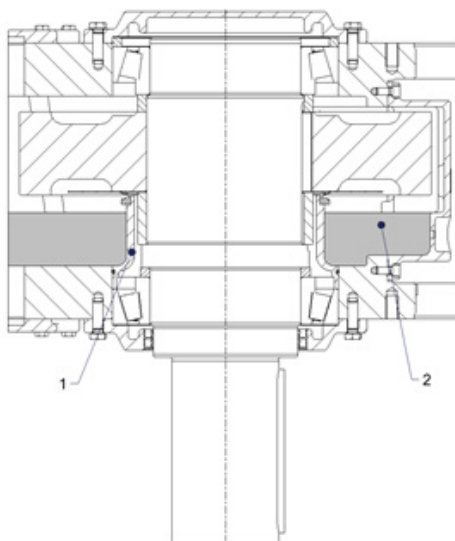
Figure 18: Option VL6/KL6

3.9 True Drywell version gear units (Option: VL4, KL4, VL6, KL6, DRY)

NOTICE

The grease-lubricated drive bearing is protected against oil by the oil level tube. Too much oil may flood the oil level tube.

To prevent an oil leak on the bottom output bearing, the oil level in the gear unit is reduced. The lower output shaft bearing is separated from the oil bath by an oil level tube. This bearing is grease-lubricated. It is sufficiently filled with grease as delivered, however, it must be re-lubricated regularly (see chapter 5.1 "Inspection and maintenance intervals"). The remaining roller bearings and gears are lubricated with pressurised circulating lubrication a motor or flange pump.



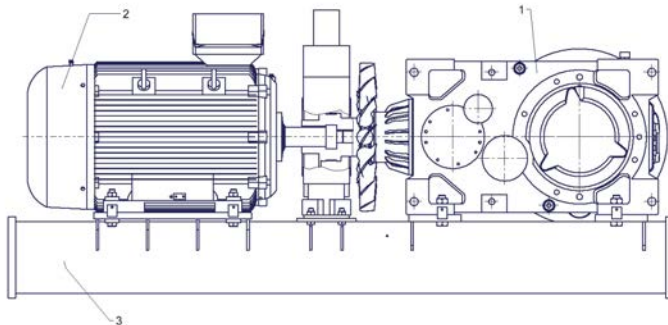
Legend

- 1: Oil level tube
- 2: Oil level

Figure 19: Schematic diagram (Option: DRY)

3.10 Motor base frame (Option: MF)

A motor base frame is a steel structure for pre-assembled drive packages in a horizontal position. This is used to mount the gear unit, (hydro) coupling, motor, and where applicable, a mechanical brake. It also includes the necessary protective devices (e.g. cover cap, Option H). The steel structure is supported by several fastening feet.



Legend

- 1: Gear units
- 2: Motor
- 3: Foundation frame

Installation and assembly

Impermissible tension, distortion and poor stability can damage the gear unit and attached components. They significantly affect the wear pattern of gear wheels, the load on the bearings, and consequently the service life of the gear unit.

Components between the motor and the gear unit, e.g. turbo couplings or brakes are pre-adjusted prior to delivery. Check and adjust the alignment and settings of these components according to the corresponding manufacturer's documentation prior to commissioning the gear unit. Incorrect alignment will result in premature failure of the attached components and the gear unit.

Install the drive package on a horizontal and level surface. Ensure that foundation and torque arm are dimensioned adequately. The maximum permissible distortion is 0.1 mm at a distance of 1 m.

Ensure a non-distorted alignment to the shaft of the connected machine.

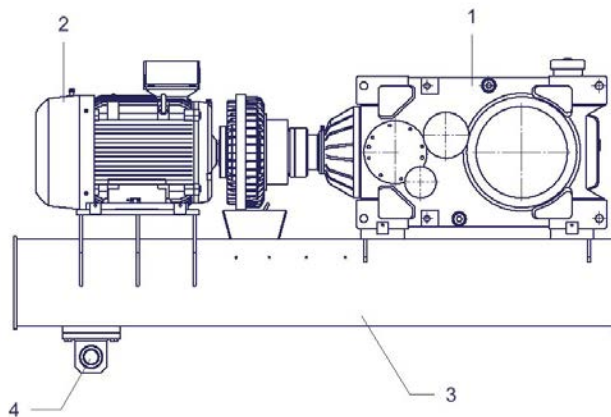
Pay attention to the job-specific information of brake and coupling components contained in the dimension sheet or the order confirmation, as well as all notes on installation and assembly contained in the separate operating and installation instructions of all installed components.

Additional notes on the installation of the motor base frame

- Solid shaft with elastic output coupling, see section 3.6 "Installation of a hub on solid shaft (option: V, L)"

3.11 Motor swing base (Option: MS)

A motor swing base is a steel structure for pre-assembled drive packages in a horizontal position. This is used to mount the gear unit, (hydro) coupling, motor, and where applicable, a mechanical brake. It also comes with the necessary protective devices (e.g. cover cap, Option H). The steel structure is supported by the drive shaft and a torque arm.



Legend

- 1: Gear units
- 2: Motor
- 3: Gear unit swing base
- 4: Elastic element (retainer bush)

Installation and assembly

Impermissible tension, distortion and poor stability can damage the gear unit and attached components. They significantly affect the wear pattern of gear wheels, the load on the bearings, and consequently the service life of the gear unit.

Components between the motor and the gear unit, e.g. turbo couplings or brakes are pre-adjusted prior to delivery. Check and adjust the alignment and settings of these components according to the corresponding manufacturer's documentation prior to commissioning the gear unit. Incorrect alignment will result in premature failure of the attached components and the gear unit.

Install the drive package on a horizontal and level surface. Ensure that foundation and torque arm are dimensioned adequately. The maximum permissible distortion is 0.1 mm at a distance of 1 m.

Ensure a non-distorted alignment to the shaft of the connected machine.

Pay attention to the job-specific information of brake and coupling components contained in the dimension sheet or the order confirmation, as well as all notes on installation and assembly contained in the separate operating and installation instructions of all installed components.

Additional notes on the installation of the motor swing base

- Push-on gear unit via hollow shaft (option A, EA), see section 3.7 "Assembly of gear units with hollow shaft (option A, EA)"
- Solid shaft with flange coupling, see section 3.6 "Installation of a hub on solid shaft (option: V, L)"
- Hollow shaft with fastening element (option B), see section 3.7 "Assembly of gear units with hollow shaft (option A, EA)"
- Hollow shaft with shrink disc (option S), see section 3.7.2 "Fitting a hollow shaft with shrink disc (Option: S)"

NORD recommends a g6 fit for the bolt supporting the elastic element.

To facilitate installation and to protect against corrosion, a suitable lubricant may be applied to the inner diameter of the elastic element.

The elastic element is made of an elastomer that can be used up to a temperature of +40°C. Depending on the component, the elastic element is capable of compensating for a small assembly-related offset. For specifications, refer to the manufacturer's documentation.

3.12 Installing the cover cap, air baffle (Option: H, H66, FAN, MF., MS...)

DANGER



Explosion hazard due to damaged and rubbing covers

- Inspect covers for transportation damage, e.g. dents and warping before fitting.
- Do not use damaged covers.

Depending on the field of use, covers are used for the following reasons:

- Personal protection (Protection from rotating machine components) (Option: H)
- Protection of gear unit components (e.g. seals) with high dust concentrations (Option: H66)

NORD fan covers and air baffles ensure a correct supply of air for the gear unit (Option FAN)

NOTICE

Risk of gear unit damage due to incorrect installation

- The fan must not make contact with the fan cover.



Information

- Keep the fan cover and air baffle free of dust.
- Remove dirt on the fan wheel, fan cover and protective grill with a hard brush.
- Never use a pressure washer to clean the fan cover, baffles and protective grill.

Use all fastening screws. Secure the fastening screws by coating them with securing lubricant, e.g. Loctite 242, Loxeal 54-03. Tighten the fastening screws with the correct torque (see chapter 7.4 "Screw tightening torques").

3.13 Fitting a standard motor (option IEC, NEMA, SAFOMI, F1)

DANGER



Explosion hazard

- Only standard motors with an adequate ATEX Zone category according to the type plate may be used.
- For ATEX category 2D gear units (see the ATEX labelling on the last line of the gear unit type plate), the motor must have at least protection class IP6x.

NOTICE

Drive failure

Incorrect assembly can result in a drive failure.

- Observe the correct coupling position during assembly.

The motor weights as well as the dimension "X max" indicated in the table below must not be exceeded:

Maximum permitted IEC and NEMA motor weights								
IEC	132	160	180	200	225	250	280	315
NEMA	210 T	250 T	280 T	324 T	326 T	365 T		
Centre of gravity X max ¹⁾ [mm]	200	259	300	330	370	408	465	615
Weight [kg]	100	200	250	350	500	700	1000	1500

¹⁾ see Figure 20 for dimension X max

Table 9: IEC and NEMA motor weights

Maximum permitted Transnorm motor weights								
Transnorm	315	355						
Centre of gravity X max ¹⁾ [mm]	615	615						
Weight [kg]	1500	1500						

¹⁾ see Figure 20 for dimension X max

Table 10: Transnorm motor weights

Getriebebau NORD must be consulted if the values stated in the table are exceeded.

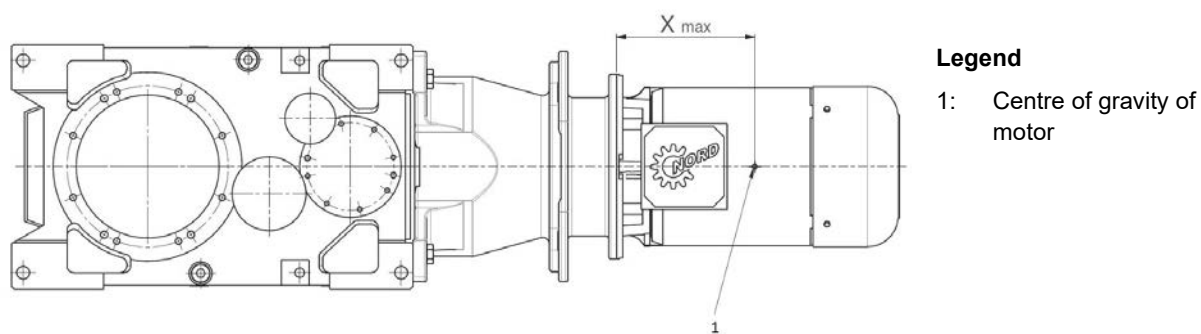


Figure 20: Centre of gravity of motor

3.13.1 Fitting a motor with standard claw coupling (option IEC, NEMA)

- Also pay attention to the separate documentation for the coupling.

If a different type of coupling is used, observe the documentation from the manufacturer for the assembly sequence.

1. Clean the motor shaft as well as the flange surfaces of the motor and adapter. Check them for damage. Check the attachment dimensions and tolerances of the motor and the adapter.
2. Push the half-coupling onto the motor shaft so that the parallel key of the motor engages into the groove in the half-coupling on mounting.
3. Pull the half-coupling onto the motor shaft according to the instructions of the motor manufacturer. Position the half-coupling according to the order-specific drawing of the coupling. If there are no instructions on the drawing, align the half-coupling flush with the end of the motor shaft.

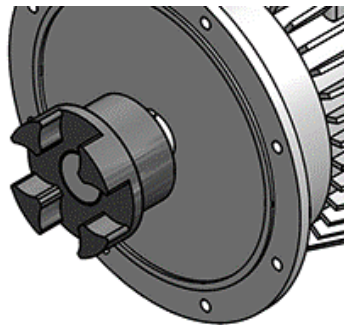


Figure 21: Fitting the coupling to the motor shaft

4. Coat the setscrew with securing adhesive (e.g. Loctite 242 or Loxeal 54-03) and secure the half-coupling with the setscrew. Tighten the setscrew with the correct tightening torque (see chapter 7.4 "Screw tightening torques").
5. The flange surfaces of the motor and the adapter should be sealed if the motor is installed outdoors or in a humid environment. Completely coat the flange surfaces prior to the motor mounting with surface sealant (e.g. Loctite 574 or Loxeal 58-14).
6. Mount the motor together with the enclosed ring gear onto the adapter. Tighten the adapter bolts with the correct tightening torque (see chapter 7.4 "Screw tightening torques").

3.13.2 Fitting a motor with standard claw coupling (option SAFOMI)

NOTICE

Possible motor damage due to oil mist

Due to the design, oil mist and oil splashes may reach the motor's bearing cover during operation. Using a motor not designed for oil contact may result in severe motor damage.

- Only use the SAFOMI motor adapter with an electric motor specially designed for this use.
- Contact the manufacturer of the electric motor.

Proceed with the assembly as described in Section 3.13 "Fitting a standard motor (option IEC, NEMA, SAFOMI, F1)" but with the following deviation in step 5.

1. unchanged
2. unchanged
3. unchanged
4. unchanged
5. The flange surfaces of the motor and the adapter must be sealed against oil leaks. Completely coat the flange surfaces prior to the motor assembly with surface sealant (e.g. Loctite 574 or Loxeal 58-14).
6. unchanged

3.14 Installing the drive coupling

Check the alignment of the coupling prior to commissioning.

Always verify the coupling specifications if the operating conditions (power, speed, changes to the drive or the driven machine) change.

3.14.1 Dog coupling

Normally, the gear unit is connected to the motor with a dog coupling. For gear units without an IEC/NEMA adapter, the alignment between the gear unit and the motor must be ensured by the operator and the coupling installed according to the manufacturer's instructions.

For gear units with IEC/NEMA adapters, see section 3.13 "Fitting a standard motor (option IEC, NEMA, SAFOMI, F1)".

3.14.2 Turbo coupling

WARNING

Risk of oil being expelled in case of an overload

The oil being expelled from the coupling is hot. Danger of burns.

- The coupling must be encased as a protection against oil being expelled.

As standard, turbo couplings are usually supplied filled with oil.

Turbo couplings are usually supplied with a fusible plug. In case of overload the oil temperature in the coupling increases. As soon as the temperature limit (usually 140 °C) is reached, the fusible plug melts and the oil flows out of the coupling in order to separate the motor and the gear unit before both components are damaged. An oil tray for the escaping oil should be provided. The quantity of oil in the coupling can be obtained from the manufacturer's documentation. An oil tray is installed as standard for gear units on a motor swing base or base frame which are combined with a turbo coupling.

Optionally, turbo couplings can be equipped with a fusible plug and a separate mechanical switch.

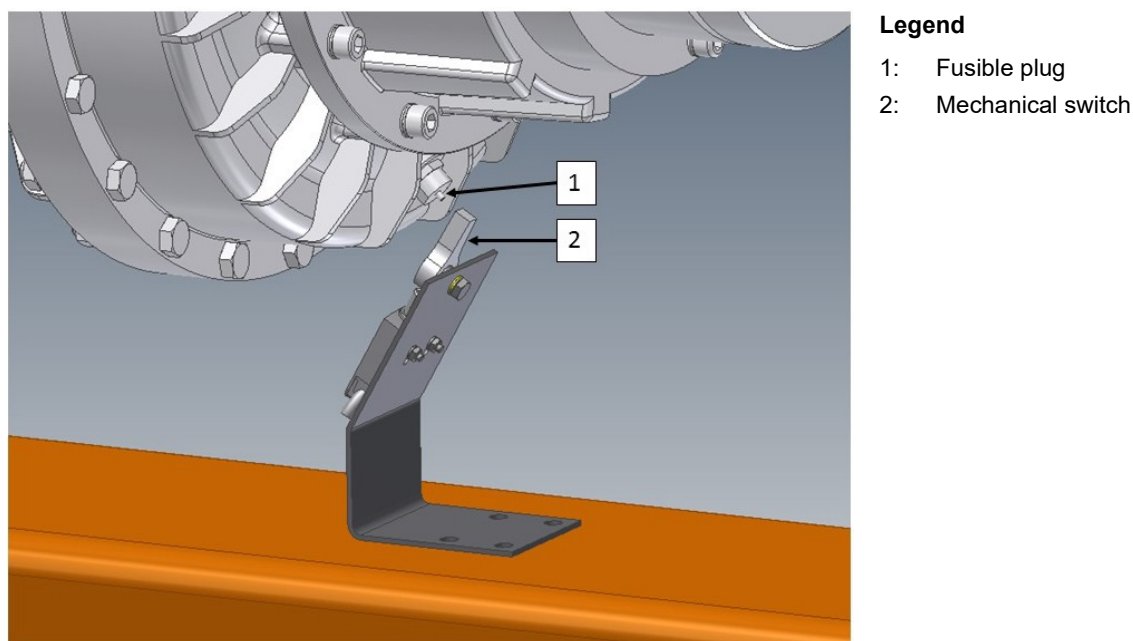


Figure 22: Fusible plug with separate mechanical switch

The triggering temperature of the fusible plug is usually 120 °C. This ensures that the system is shut down before the temperature for the fusible plug is reached.

The alignment of the mechanical switch must be checked with the aid of the manufacturer's documentation prior to commissioning. The switch must be connected to evaluation electronics.

Position the half-coupling according to the order-specific drawing. If no details regarding the position are stated, align the coupling flush with the end of the motor shaft.

3.14.3 Dog coupling

For the correct alignment, refer to the manufacturer's manual. Dog couplings require lubrication to ensure wear-free function. Lubricate the dog coupling according to the manufacturer's manual prior to commissioning.

3.15 Installing the output coupling

Always verify the coupling specifications if the operating conditions (power, speed, changes to the drive or the driven machine) change.

Install a separately supplied output coupling and align it. Follow the enclosed manufacturer's documentation.

Check the alignment of the coupling prior to commissioning.

3.16 Connecting a cooling coil (option CC)

DANGER



Explosion hazard due to increased temperature

- The cooling system may only be operated in combination with a temperature monitoring device (PT100).
- Observe the special ATEX documentation provided by NORD.

WARNING

Risk of injury due to pressure discharge

- Ensure that the pressure is released from the cooling circuit before carrying out any work on the gear unit.

NOTICE

Damage to the cooling coil

- Do not twist the screw necks during installation.
- Even after the installation, no external forces must be able to act on the cooling coil via the screw necks or the special connection adapter (for 2G/2D).
- Prevent vibrations from reaching the cooling coil during operation.

NOTICE

Damage to the cooling coil

- In case of risk of freezing and before long standstill periods, drain the cooling water and blow out the remaining water with compressed air.

Information

Use of two cooling coils (Option: 2CC)

Make sure when using **two cooling coils** to **connect** them **in parallel** and not in series. This is the only way to ensure that sufficient cooling power is available.

For the inlet and outlet of cooling fluid, connections with pipe threads are provided on the gear unit or the casing cover for fitting pipes or hoses. The exact size of the pipe threads can be obtained from the specific dimension sheet for the order.

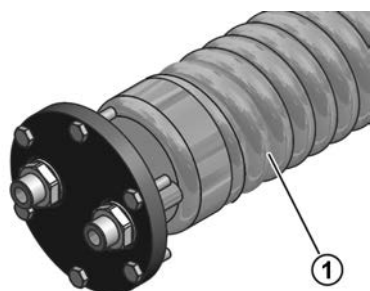
The cooling coil must be completely submerged, as otherwise condensation may occur.

If a volume regulator is fitted upstream of the cooling coil, the connection is extended accordingly. The coolant must be supplied via the volume regulator. Pay attention to the operating instructions of the volume regulator.

The **coolant pressure** must not exceed **8 bar (3D/3G) / 2 bar (2D/2G)**. We also recommend fitting a pressure reducer at the coolant inlet to avoid damage due to excessive pressure.

The required quantity of coolant depends on the size of the cooling coil. Depending on the housing connection, the following flow rates apply:

- Cable cross section G3/8“: 5 l/min
- Cable cross section G1/2“: 10 l/min.



Legend

- 1: Cooling coil

Figure 23: Cooling cover with cooling coil fitted (schematic diagram)

Remove the sealing plug from the screw necks prior to assembly and flush the cooling coil to prevent any contamination of the cooling system. Then, connect the connection pieces with the coolant circuit. The flow direction of the coolant is irrelevant.

3.17 Installation of an external cooling system (Option: CS1-X, CS2-X)

DANGER

Explosion hazard



- For operation in explosion hazard atmospheres, only approved and labelled cooling systems may be used. The ATEX labelling must conform to the details of the system and/or machine design.
- The cooling unit may only be operated in combination with a temperature monitoring device (PT100).
- Observe the special ATEX documentation provided by NORD.

NOTICE

Damage to the cooling system

- Ensure load-free mounting of the connection pipes or hoses.
- Even after the installation, no external forces must be able to act on the cooling system via the connection pieces.
- Prevent vibrations from reaching the cooling system during operation.

External cooling systems are only used to cool the gear unit lubricant and are not used to lubricate the gear unit.

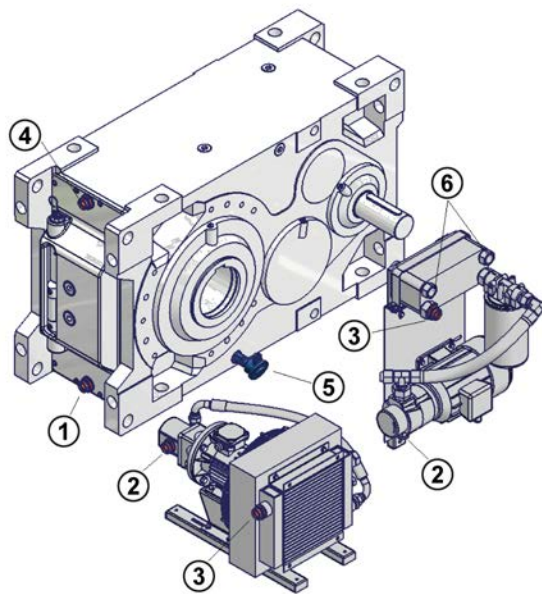
Information

Other connection positions may also be arranged. In the case of the combination of circulation lubrication with an external cooling system, the pressure and intake lines between the lubricant circulation and the cooling unit must be connected. The connection points should be obtained from the order-related dimension sheet.

Connect the cooling system as shown in Figure 24. Do not modify any of the pre-assembled hoses without having consulted NORD beforehand.

The hoses must not exceed 2 m. Keep the suction height as low as possible. Place the cooling system at oil level or below.

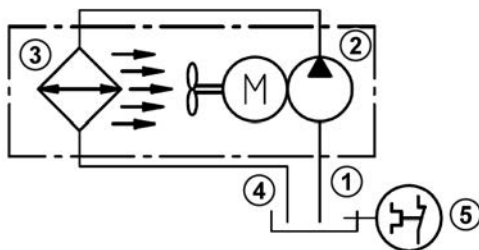
Further information about the cooling system and control information should be obtained from the manufacturer's instructions for the cooling system. The technical limit values in the manufacturer's documentation have priority.



Legend

- 1: Gear unit intake connection
- 2: Pump/cooling system intake connection
- 3: Cooling system pressure connection
- 4: Gear unit pressure connection
- 5: PT100 temperature monitoring (optional/recommended)
- 6: Cooling water connection

Figure 24: Industrial gear unit with CS1-X and CS2-X cooling systems



Legend

- 1: Intake connection
- 2: Pump
- 3: Heat exchanger
- 4: Cooling system pressure connection
- 5: Temperature monitor (PT100)
- 6: Cooling water connection

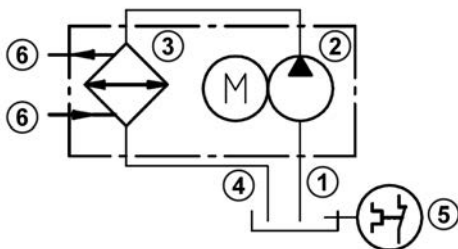


Figure 25: Hydraulic plan of industrial gear units with CS1-X and CS2-X cooling systems

3.18 Installing a fan (Option: FAN-A, FAN-R)

The fan wheel of a radial and axial fan is arranged on the high-speed shaft of the gear unit and protected against accidental contact by a fan cover. The fan takes in air through the protective grill of the fan cover. The lateral air baffles of the fan cover guide the air past the gear unit housing. Through this, the air dissipates a specific amount of the housing heat.

An electrical external fan, which is driven by an external three-phase motor, is available as a special option. For the correct installation and the electrical connection, refer to the manufacturer’s manual.

3.19 Installation of the lubricant circulation (Option: LC, LCX)

DANGER

Explosion hazard



- For operation in explosion hazard atmospheres, only approved and labelled circulation pumps and sensors may be used.
- The ATEX labelling must conform to the details of the system and/or machine design.

For gear units with circulation lubrication, either a flange-pump or a motor pump is used. A flange pump is driven by the input shaft of the gear unit. The motor pump has a separate drive.

The pump is already installed on the gear unit on delivery. All oil lines are connected correctly.

The circulation lubrication is normally equipped with pressure switches. Ensure the connection as well as the evaluation of the pressure switch.

The switching point of the pressure switch is set at the factory and may only be changed upon consultation with NORD.

Information

In the case of combination of circulation lubrication with external cooling units, the pressure and intake lines between the circulation lubrication and the cooling unit must be connected. The connection points should be obtained from the order-related dimension sheet.

3.20 Gear unit monitoring sensors (option: MO)

For the position of the sensors, refer to the order-related dimension sheet.

Pay attention to the manufacturer's documentation.

3.21 Attaching the temperature sticker

For temperature class T4 gear units or gear units with a maximum surface temperature of less than 135 °C the supplied temperature sticker (printed with value 121 °C) must be affixed to the gear unit housing.

Part No.: 8510400.

The temperature class or the maximum surface temperature can be obtained from the ATEX labelling in the last line of the gear unit name plate.

Examples:

II 2G Ex h IIC **T4** Gb or. II 3D Ex h IIIC **T125°C** Dc

Affix the temperature sticker in the vicinity of the drive bearings. For gear units with an IEC/ NEMA adapter, affix the temperature sticker as for a helical gear unit.

The temperature sticker must be affixed so that it is visible. Depending on the installation orientation, choose a position where the temperature sticker will not be concealed.

The middle of the temperature sticker turns black if the temperature on the surface of the gear unit housing exceeds 121 °C (see chapter 4.11 "Temperature measurement").

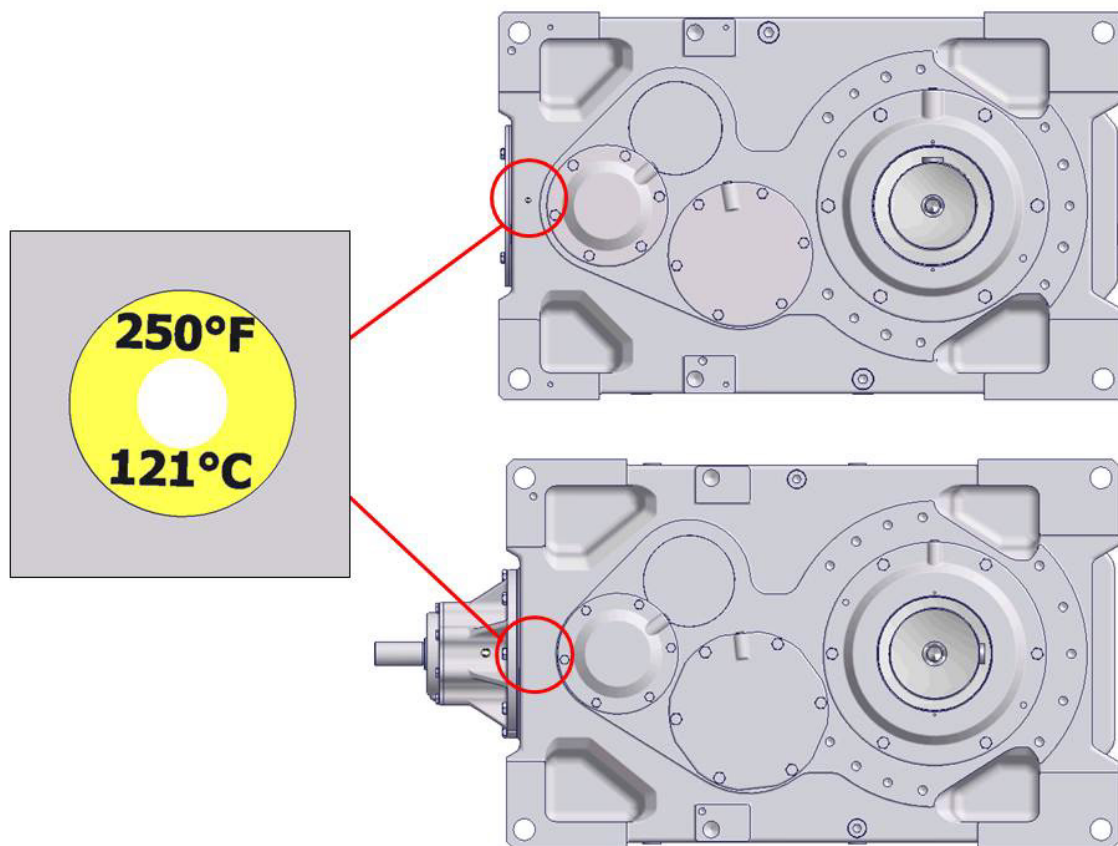


Figure 26: Temperature sticker position for helical and bevel helical gear units

3.22 Installing the torque arm (option D, ED, MS)

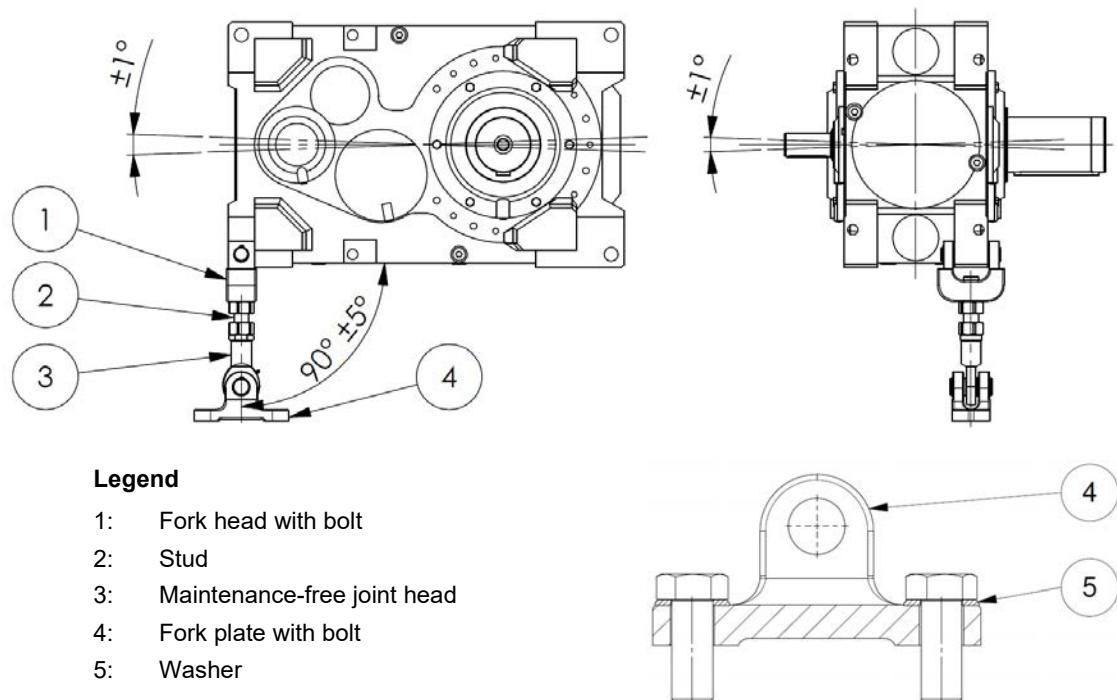
NOTICE

Reduced service life of the output shaft bearings due to incorrect installation of the torque arm

- Ensure that the torque arm is not distorted during the installation or operation.
- The torque arm is not suitable for transferring transverse forces.

The torque arm should be mounted on the side of the machine in order to reduce the bending moment on the machine shaft. For helical gear units with motor adapters, the torque arm is located opposite to the motor adapter.

Tension and pressure loads are permissible for installation upwards or downwards.



Legend

- 1: Fork head with bolt
- 2: Stud
- 3: Maintenance-free joint head
- 4: Fork plate with bolt
- 5: Washer

Figure 27: Permissible installation tolerances of the torque arm (option D and ED) (schematic diagram)

The length of the torque arm (option D) can be adjusted within a certain range.

1. Align the gear unit horizontally with the threaded bolts and nuts of the torque arm. Afterwards, secure the setting with the lock nuts.
2. Secure the screw connectors of the torque arm, e.g. with Loctite 242 or Loxeal 54-03. Tighten the screw connectors with the correct torque (see chapter 7.4 "Screw tightening torques"). Use a suitable washer (ISO 7089) under the customer's screw head.

The option ED torque arm has an integrated elastic element and cannot be adjusted in length.

3.23 Connecting the oil heater (Option: OH)

DANGER



Explosion hazard

- Oil heaters (Option: OH) are only approved for Category 3D/3G.
- The oil heater may only be operated when at a standstill.
- Before switching on the heater elements, make sure that they are fully immersed in the oil bath.

The oil heater is already installed prior to delivery. Observe the manufacturer's instructions for connecting the oil heater.

Information

Prevent excessive heat dissipation

The gear unit heat loss is particularly high in installation locations where there are extremely low ambient temperatures or strong air movements. In such cases, it may be necessary to provide protective devices against excessive gear unit heat losses if the oil heater cannot sufficiently compensate for the heat loss.

3.24 Subsequent painting

DANGER



Explosion hazard due to electrostatic charge

- Subsequent painting must have the same characteristics and layer thickness as the original painting.

For retrospective painting of the gear unit, the shaft sealing rings, rubber elements, pressure vent screws, hoses, type plates, adhesive labels and motor coupling components must not come into contact with paints, lacquers or solvents, as otherwise the components may be damaged or made illegible.

4 Commissioning

4.1 Checking the oil level

! DANGER



Explosion hazard in case of inadequate lubrication

- Check the oil level before commissioning (see chapter 5.2.6 "Oil level").

The following table shows the usual oil filling state of oil spaces on delivery. The actual oil filling state should be obtained from the order-related documentation (e.g. order confirmation). The correct oil quantities can be found on the name plate.

Oil space	Oil filling	
	with	without
Industrial gear units		X
First-stage gear unit (option WG)	X	
Auxiliary gear unit (option WX)	X	
Connecting flange (option WX)		X
Fluid coupling	X	
Oil tank (option OT)		X

Table 11: Oil spaces as delivered

i Information

Incorrect oil level indication due to trapped air

During commissioning and after changing the oil, air (air pockets) may become trapped in the gear unit oil bath. These disappear during operation. The resulting space fills with lubricant. Because of this, the oil level may deviate in comparison with the initial filling. This process may take several days. During this period, an incorrect oil level indication cannot be ruled out.

- Check the oil level at regular intervals, especially after commissioning or changing the oil.

4.2 Activating the vent

! DANGER



Explosion hazard in case of inadequate lubrication

- The vent must be fitted after installation if the gear unit comes with an initial filling. Check the vent before commissioning.

Remove the screw plug, which is used for the transport. This screw plug is marked red. Install the vents in the same position.

The position of the vents can be obtained from the specific dimension sheet for the order or from Section 7.2 "Standard positions of the oil drain, vent and oil level". For more detailed information about the vent option used (e.g. FV, EF, DB), refer to Section 5.2.13 "Cleaning or replacing the vent".

i Information

Auxiliary gear units (option WX) and first-stage gear units (option WG) can be fitted with a pressure vent. The pressure vent must be unlocked prior to commissioning. Refer to the operating and installation instructions B 2000.

The sealing plug, which is used to close the vent hole for transport is marked with red paint.

The intermediate flange (option WX) is always equipped with a pressure vent. This device, as well as the pressure venting device on the industrial gear unit (only for ATEX-certified gear units) must be unlocked as shown in Figure 28.

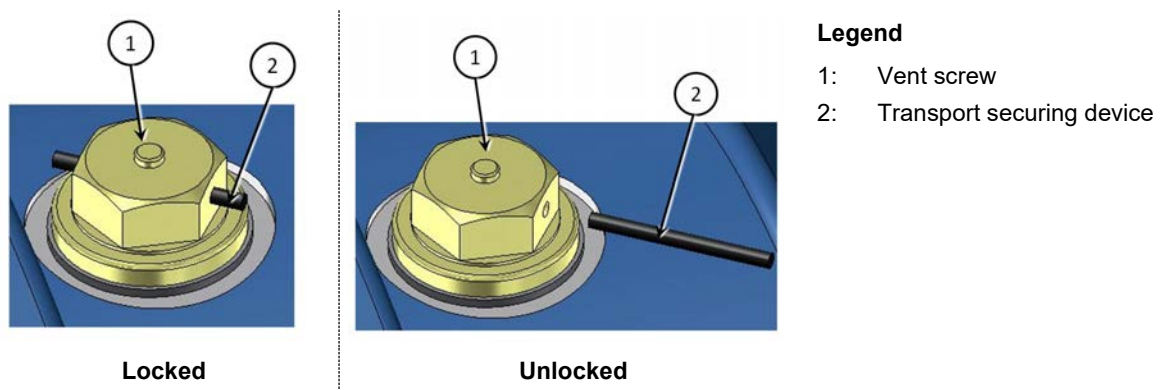


Figure 28: Activation of the pressure vent

4.3 Process heat due to hollow output shaft

! DANGER

Explosion hazard due to overtemperature



Excessive heating of the hollow output shaft may lead to the ignition of an explosive environment.

- Only operate the heated hollow output shaft in combination with a temperature monitor (PT100).
- Observe the special ATEX documentation provided by NORD.

This is a special type of operation. The gear unit may only be operated within the planned and calculated process parameters. In case of changes to process parameters or a subsequent conversion to this application case, verification must be made by Getriebbau NORD.

The hot medium may only flow through the hollow shaft after commissioning, when the roller bearings at the output have reached their operating temperature. Otherwise, the roller bearings may be damaged.

4.4 Lubricant circulation (Option: LC, LCX)

 **DANGER**

Explosion hazard in case of inadequate lubrication



- The drive unit may only be commissioned after the pump and the sensors for the circulation lubrication have been connected and commissioned.
- For cold starting it must be ensured that the highest permissible viscosity of the lubricant is not exceeded in order to prevent excessive pressures in the pump and the lubricant line system.
- During operation, the function of the lubricant circulation must be ensured by means of a monitoring system.
- The gear unit must be shut down immediately in case of failure of the lubrication circulation.

During start-up, the viscosity of the gear oil must not be higher than 1,800 cSt. For ISO-VG220, this corresponds to a temperature of at least 10 °C for mineral oil, and a temperature of at least 0 °C for synthetic oil.

Gear units equipped with circulation lubrication are usually equipped with a pressure switch to monitor the pump function. Connect the pressure switch so that gear unit operation is only possible if the oil pump has built up pressure. If the pressure falls below the preset value, the electric signal is interrupted by the pressure switch.

The pressure switch can only be evaluated after the pump has been put into operation, as a pressure must first be built up. During commissioning, a lower pressure is permissible for a short period. The pressure switch is usually set to 0.5 bar.

4.5 Gear unit cooling with fan (Option: FAN-A, FAN-R)

DANGER

Explosion hazard



- Check the contact guard for warping and damage. Repair possible damage prior to commissioning.
- Foreign objects must not enter the air intake openings during operation. Sparking may occur if such objects collide with the fan blades.
- An adequate supply of air must be ensured by means of a minimum free space of 30° ahead of the air intakes. Keep the air inlet grille and the fan blades clean.

WARNING

Severe injuries due to lack or incorrect installation of the fan cover

- Do not commission the fan or the gear unit without the fan cover.
- Ensure correct fastening of the fan cover. The fan must not make contact with the fan cover.

WARNING

Risk of eye injury from suspended particles

- Use goggles when switching on the fan.

The main direction of rotation of an axial fan (Option FAN-A) has been specified during the planning phase. For the main direction of rotation, refer to the order-related dimension sheet. For opposite direction of rotation, the axial fan has no cooling power. The calculated thermal limit power of the gear unit cannot be maintained then.

The ATEX approval becomes void if the gear unit is operated in the opposite direction of rotation.

4.6 Cooling coil (Option: CC)

 **DANGER**

Explosion hazard due to insufficient cooling



- Only put the drive into operation after the cooling coil was connected to the cooling circuit, and the cooling circuit was put into operation.
- Check the temperature and flow rate of the cooling water, and ensure compliance with the permissible limit values.
- If there is a danger of frost, add a suitable anti-freeze solution to the cooling water.
- Observe the special ATEX documentation provided by NORD.

The coolant must have a thermal capacity similar to water.

- Specific thermal capacity of water at 20 °C: $c = 4.18 \text{ kJ/kgK}$

Clean, industrial water without any air bubbles or sediments is recommended as a coolant. The hardness of the water must be between 1 dH and 15 dH; the pH value must be between pH 7.4 and pH 9.5. No aggressive liquids may be added to the coolant!

The **coolant pressure** must not exceed **8 bar (3D/3G) / 2 bar (2D/2G)**. We also recommend fitting a pressure reducer at the coolant inlet to avoid damage due to excessive pressure.

The required quantity of coolant depends on the size of the cooling coil. Depending on the housing connection, the following flow rates apply:

- Cable cross section G3/8": 5 l/min
- Cable cross section G1/2": 10 l/min.

The **coolant inlet temperature** must not exceed 20 °C. The coolant inlet temperature may only be higher in individual cases according to the order documentation. In case of other coolant inlet temperatures, observe the special documentation provided by Getriebebau NORD or contact Getriebebau NORD.

4.7 External cooling system (option CS1-X, CS2-X)

DANGER

Explosion hazard



- Only start commissioning the drive after the cooling unit has been connected and commissioned.
- For oil / water coolers (option CS1-X), the temperature and the flow rate of the cooling fluid must be monitored and ensured. If there is a danger of frost, a suitable anti-freeze solution must be added to the cooling water in due time.
- Oil / air coolers (Option: are only approved for Category 2G and 3D/3G. A sufficient air intake must be ensured. A free space of at least 30° must be provided for the air intake.
- The standard painting / coating is only suitable for the range C1/C2 according to DIN EN ISO 12944
- Use of a resistance thermometer (PT100) is mandatory. It must be connected to an evaluation device which gives a warning signal above 80 °C for temperature class T3 and shuts the drive down with temperature class T4.
- In case of cold starting, ensure that the maximum permissible viscosity of the lubricant is not exceeded, in order to prevent excess pressure in the pump and the lubricant lines.
- Observe the special ATEX documentation provided by NORD.

The main components of the external cooling system are the motor pump, the filter and the heat exchanger. Make sure that the cooling system is vented.

Unless otherwise stated by the manufacturer, the following applies for external cooling systems:

- A value of -0.4 bar must not be undershot on the suction side.
- Maximum viscosity is 1,000 mm²/s.

Information about the cooling system should be obtained from the cooling system operating instructions. The manufacturer's specifications are definitive.

Information

It is recommended that the cooling unit is only switched on above an oil temperature of 60°C and is switched off below an oil temperature of 45°C.

4.7.1 Oil / water cooler (Option: CS1-X)

For oil/water coolers, the temperature and flow volume of the cooling water must be monitored and ensured. The maximum permissible cooling water inlet temperature is defined during the planning phase and can be found in the order data. The maximum ambient temperature is 40 °C. If higher ambient temperatures may occur, verification must be made by Getriebbau NORD prior to commissioning.

The permissible lubricant temperature range is 10 °C to 80 °C.

If there is a danger of frost, a suitable anti-freeze solution must be added to the cooling water in due time.

The permissible contamination for oil/water coolers is a suspended particle quantity of less than 10 mg/l and a particle size of less than 0.6 mm (spherical). Fibrous substances result in a large increase in pressure losses.

4.8 Oil heater (Option: OH)

DANGER

Explosion hazard



- Oil heaters (Option: OH) are only approved for Category 3D/3G.
- The oil heater may only be operated when at a standstill.
- Before switching on the heating elements and during heating, ensure that the heating elements are fully immersed in the oil bath.
- The oil heater may only be used in combination with a temperature monitoring system (PT100).
- Observe the special ATEX documentation provided by NORD.

The oil heater is equipped with a temperature sensor and a thermostat. The heater is pre-set to a switch-off temperature of 20 °C. This means that the heater is in operation as long as an oil temperature of 20 °C has not been reached. Please contact Getriebebau NORD for other switch-off temperatures.

The oil heater must remain functional when the gear unit is shut down in order to ensure that the oil temperature does not drop too much.

4.9 Temperature monitoring (Option: PT100)

DANGER

Explosion hazard



- The oil temperature must be monitored with a resistance thermometer (option PT100) if an internal or external cooling system is used. The resistance thermometer must be connected to an evaluation device. The operator is responsible for implementing this interlock.
- A warning signal must be issued if the temperature exceeds 80 °C. The drive must be switched off at temperatures above 80 °C if a cooling system is used.

The PT100 is a temperature measuring resistance with which the oil temperature can be monitored. The PT100 must be connected to a suitable evaluation device and the signal must be evaluated.

The triggering device must be set so that the drive unit shuts down when the maximum permissible oil temperature is reached.

For mineral oil, the maximum permissible oil temperature is 85 °C.

For synthetic oil, the maximum permissible oil temperature is 105 °C.

4.10 Backstop/Auxiliary drive (Option: R, WX)

DANGER

Explosion hazard



- The auxiliary drive must be secured or monitored to prevent it from idling.
- Note the minimum speed for release of the back stop as well as the maximum speed. Too low a speed will increase the temperature. Excess speeds will damage the back stop.

A back stop prevents running in a particular direction of rotation.

An auxiliary drive enables the gear unit to be run at a low speed, e.g. for maintenance work. In normal operation, a freewheeling coupling disconnects the auxiliary drive from the gear unit.

The back stop is lubricated by the gear oil. The freewheeling coupling has its own oil space.

The back stop or the freewheeling coupling lift off due to centrifugal force above a certain lift-off speed n_1 (see Table 12 and Table 13). For this, the auxiliary drive must be at a standstill. The freewheeling coupling is monitored by a speed sensor. There is increased wear if the necessary lift-off speed is not reached. The service life of the back stop or freewheeling coupling is reduced. To minimise wear and generation of heat, back stops or freewheeling couplings in continuous operation should only be operated above the lift-off speed.

Information

Before commissioning, note the information and specifications of the back stop or freewheeling coupling in the specific documentation for the order.

Adhesive labels on the gear unit indicate the direction of rotation of the back stop and the freewheeling coupling. The direction of rotation can be obtained from the specific dimension sheet for the order.

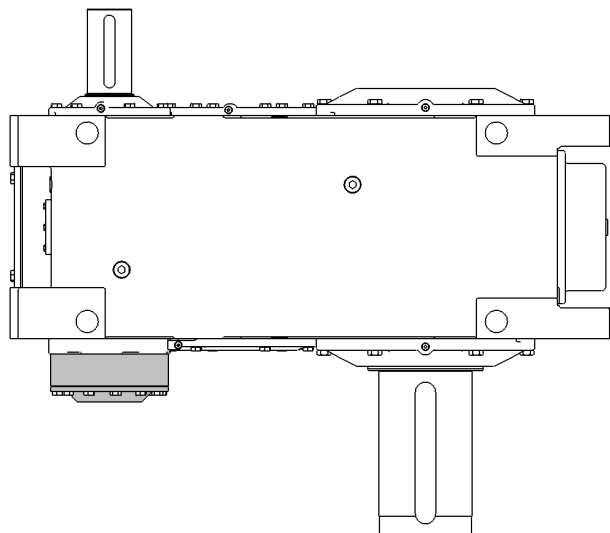


Figure 29: Industrial gear unit with back stop (schematic diagram)

Gear unit	Stages	Nominal gear ratio i_N		Lift-off speed n_1 [rpm]
		From	To	
SK 5207	2	7.1	25	430
SK 5307	3	28	315	670
SK 5407	3	18	25	671
		28	50	1088
		56	100	1759
SK 5507	4	112	400	2740
SK 6207	2	8.0	28	430
SK 6307	3	31.5	355	670
SK 6407	3	20	25	671
		28	50	1088
		56	112	1759
SK 6507	4	125	445	2740
SK 7207	2	7.1	25	400
SK 7307	2	28	315	430
SK 7407	3	15	25	624
		28	50	1012
		56	100	1636
SK 7507	4	112	400	1759
SK 8207	2	8	28	400
SK 8307	3	32.5	355	430
SK 8407	3	20	28	624
		31.5	56	1012
		63	112	1636
SK 8507	4	125	450	1759
SK 9207	2	7.1	25	320
SK 9307	3	28	355	400
SK 9407	3	18	25	499
		28	50	810
		56	100	1309
SK 9507	4	112	400	1636
SK 10207	2	8	28	320
SK 10307	3	31.5	400	400
SK 10407	3	20	28	499
		31.5	56	810
		63	112	1309
SK 10507	4	125	450	1636

Table 12: Back stop lift-off speeds SK 5..07 – SK 10..07

Gear unit	Stages	Nominal gear ratio i_N		Lift-off speed n_1 [rpm]
		From	To	
SK 11207	2	5.6	20	320
SK 11307	3	22.4	28	320
		31.5	112	400
SK 11407	3	12.6	28	448
		31.5	45	698
		50	71	1136
SK 11507	4	80	100	1136
		112	400	1420
SK 12207	2	5.6	20	250
SK 12307	3	22.4	112	320
SK 12407	3	12.5	28	352
		31.5	45	544
		50	71	888
SK 12507	4	80	400	1136
SK 13207	2	5.6	20	250
SK 13307	2	22.4	112	320
SK 13407	3	12.5	28	352
		31.5	45	544
		50	71	886
SK 13507	4	80	400	1136
SK 14207	2	7.1	25	240
SK 14307	3	28	140	250
SK 14407	3	14	40	373
		45	56	522
		63	90	851
SK 14507	4	100	400	886
SK 15207	2	5.6	20	220
SK 15307	3	22.4	112	250
SK 15407	3	12.5	28	310
		31.5	45	479
		50	71	781
SK 15507	4	80	400	886

Table 13: Back stop lift-off speeds SK 11..07 – SK 15..07

Gear unit	Stages	Nominal gear ratio i_n		Lift-off speed n_1 [rpm]
		From	To	
SK 5217 / SK 6217	2	6	8	499
SK 5217 / SK 6217	2	10	14	809
SK 5217 / SK 6217	2	16	22	1308
SK 7217 / SK 8217	2	6	8	451
SK 7217 / SK 8217	2	9	13	697
SK 7217 / SK 8217	2	16	20	1136
SK 9217 / SK 11217	2	6	8	352
SK 9217 / SK 11217	2	9	13	545
SK 9217 / SK 11217	2	16	21	887

Table 14: Back stop lift-off speeds SK 5..17 – SK 11..17

4.11 Temperature measurement

The details of the ATEX temperature class or the maximum surface temperature are based on normal installation conditions. Even small changes to the installation conditions can have a significant effect on the temperature of the gear unit.

During commissioning, a surface temperature measurement of the gear unit must be made under maximum load. This does not apply to gear units which are labelled as temperature class T1 – T3 or a maximum surface temperature of 200 °C in the last line of the rating plate.

For the temperature measurement, a normal temperature measuring device is required, which covers a measurement range from 0 °C to 130 °C and a precision of at least ± 4 °C and which enables the measurement of the surface temperature and the temperature of the air.

Temperature measurement procedure:

1. Allow the gear unit to run at maximum speed under maximum load for approx. 4 hours.
2. Following warm-up, the temperature of the gear unit housing surface T_{gm} is to be measured close to the temperature sticker (see chapter 3.21 "Attaching the temperature sticker").
3. Measure the temperature of the air T_{um} in the immediate vicinity of the gear unit.

Shut down the drive and contact Getriebebau NORD if one of the following criteria is not fulfilled:

- The measured air temperature T_{um} is within the permissible range stated on the type plate.
- The measured air temperature on the surface of the gear unit housing T_{gm} is less than 121 °C.
- The temperature sticker has not turned black (see Figure 31).
- The measured temperature of the surface of the gear unit housing plus the difference between the highest permissible air temperature T_u stated on the type plate and the measured air temperature must be at least 15 °C lower than the maximum permissible surface temperature, i.e.:

ATEX labelling:	II 2G Ex h IIC T4 Gb/ II 3G Ex h IICT4 Gc: $T_{gm} + T_u - T_{um} < 135 \text{ °C} - 15 \text{ °C}$
ATEX labelling:	II 2D Ex h IIIC T_{max} Db / II 3D Ex h IIIC T_{max} :Dc: $T_{gm} + T_u - T_{um} < T_{max} - 15 \text{ °C}$
T_{gm} :	Measured temperature of the surface of the gear unit housing in °C
T_{um} :	Measured air temperature in °C
T_{max} :	Maximum surface temperature according to gear unit type plate (ATEX labelling) in °C
T_u :	Upper value of the permissible ambient temperature range in °C according to the type plate

Figure 30: ATEX labelling

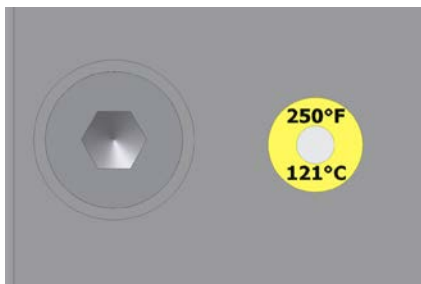
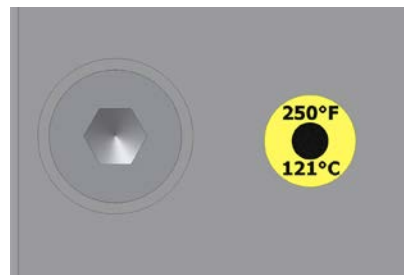
Centre dot is **white**: OKCentre dot is **black**: Temperature was too high.

Figure 31: Temperature sticker

4.12 Test run

DANGER

Explosion hazard during operation of a defective gear unit



Any abnormal operation of the gear unit may directly or indirectly lead to the ignition of an explosive environment.

- Perform a test run as described below, and pay attention to the mentioned irregularities.
- In case of irregularities, shut down the drive immediately.
- Contact the NORD service department.

During commissioning of the gear unit a test run should be carried out in order to detect any problems prior to continuous operation.

During a test run under full load, the gear unit should be checked for:

- Unusual noises, such as grinding, knocking or rubbing noises
- Unusual vibrations, oscillations or other movements
- Production of steam or smoke

After the test run, the gear unit should be checked for:

- Leaks
- Slippage of the shrink discs. To do this, remove the cover and check whether the marking specified in Section 3.7.2 "Fitting a hollow shaft with shrink disc (Option: S)" indicates a movement of the gear unit hollow shaft relative to the machine shaft. Then remount the cover as described in Section 3.12 "Installing the cover cap, air baffle (Option: H, H66, FAN, MF..., MS...)".

Information

Radial shaft seals are rubbing seals and have sealing lips made from an elastomer material. These sealing lips are lubricated with a special grease at the factory. This reduces the wear due to their function and ensures a long service life. An oil film in the region of the rubbing sealing lip is therefore normal and is not due to leakage.

4.13 Checklist

4.13.1 Mandatory

Checklist		
Item to be checked	Date of check:	Information, see Section
Can transport damage or other damage be found?		3.4.1
Does the labelling on the name plate comply with the specifications?		2.2
Does the required design comply with the actual installation position?		7.1
Has the correct oil level for the design been checked?		5.2.6
Has the vent been fitted and activated?		4.2
Has the gear unit been earthed?		3.5
Has the gear unit been aligned properly?		3.5
Has the gear unit been installed free of tension?		3.5
Are the external gear shaft forces within the permitted limits?		3.6
Is the coupling between the gear unit and the motor correctly installed?		3.14
Was the gear unit checked in a test run?		4.12
Does the motor also have appropriate ATEX approval?		3.13, 1.2.2
Do all input and output elements have appropriate ATEX approval?		1.2.2
Do all electrical components have appropriate ATEX approval?		1.2.2

Table 15: Mandatory checklist for commissioning

4.13.2 Optional

Checklist		
Item to be checked	Date of check:	Information, see Section
Option R, WX, FAN: Is the direction of rotation specified and checked?		4.10, 4.5
Option D and ED: Is the torque arm installed correctly?		3.22
Option S, FAN: Are rotating parts covered with a contact guard?		3.12
Option FAN, CS2: Is an adequate supply of air ensured?		4.5, 4.7
Option CS1, CC: Is the cooling water connected to the cooling unit or the cooling coil and open?		3.16, 3.17
Option CS1, CS2: Is the cooling unit connected to the gear unit?		3.17
Option LC: Is the pressure switch connected and functioning?		4.4
Option PT100: Is the temperature monitor connected and functioning?		4.9
Option S: Was the shrink disc connection tested for slippage?		3.7.2
Option WX: Has the speed monitor been functionally connected?		4.10
ATEX T4 or T < 135 °C: Is the temperature sticker affixed and has not turned black?		3.21
ATEX T4 or T < 135 °C: Has the temperature been measured?		4.11

Table 16: Optional checklist for commissioning

5 Service and maintenance

5.1 Inspection and maintenance intervals

Inspection and maintenance intervals	Inspection and maintenance work	Information, see Section
According to manufacturer's details	<ul style="list-style-type: none"> • Option PT100: Check the function and measurement accuracy; recalibrate as necessary • Option LC/LCX: Check the function and measurement accuracy of the pressure switch; recalibrate as necessary • Option CS1-X: Service the oil/water cooler • Option CS2-X: Service the oil/air cooler • Option DB: Change dry filter medium • Couplings: Service the input and output couplings 	Manufacturer's documentation
Standstill/storage > 3 months	<ul style="list-style-type: none"> • Regularly check the protective coating on unpainted and painted surfaces • Check the condition of the oil • Check the seals 	3.2.2
Daily	<ul style="list-style-type: none"> • Visual inspection of the contamination indicator • Check oil temperature • Check oil pressure • Check if the operating noise has changed 	5.2.9 4.9 4.4 5.2.2
Every 100 operating hours, but at least weekly	<ul style="list-style-type: none"> • Visual inspection for leaks • Check the gear unit for unusual running noises and vibrations • Option VL3/KL3: Check the leak indicator 	5.2 5.2 5.2.6.5
After 500 operating hours	<ul style="list-style-type: none"> • Check the coupling <ul style="list-style-type: none"> – Check the gearing wear of the coupling 	3.14, 3.15
At least once per month	<ul style="list-style-type: none"> • Option FAN-A, FAN-R: Check the air cooler for dirt and dirt deposits • Option CS2-X: Check the heat exchanger for dirt and dirt deposits • Check the covers and the attachment adapters for dirt and dirt deposits 	5.2.10 5.2.10 5.2.10

Inspection and maintenance intervals	Inspection and maintenance work	Information, see Section
Every 2,500 operating hours, at least every six months	• Visual inspection of radial shaft seal	5.2.1
	• Check the oil level and oil condition	5.2.6
	• Clean or replace the vent	5.2.13
	• Option ED: Visual inspection of the rubber buffers	5.2.7
	• Option LC, LCX, CS1-X, CS2-X, OT: Visual inspection of hoses and pipes	5.2.8
	• Option CS1-X, CS2-X, LC/LCX: Check the oil filter	5.2.9
	• Option VL2/3/4/6 KL2/3/4/6: Re-lubricate the bearings in the output flange and remove excess grease	5.2.16
	• Check gear coupling – Check the gearing wear of the coupling – Replace grease	3.14.3, 3.15
	• Check fluid coupling – Check seals	3.14.2
	• ATEX T4 or T < 135 °C: Visual inspection of the temperature sticker	3.21
• ATEX 2D/3D: Remove dust	5.2.10	
For operating temperatures up to 80 °C: Every 10,000 operating hours, but at least every 2 years	• Replace radial shaft seals, if worn	5.2.14
	• Change the oil (if filled with synthetic oil, this period is doubled) Reduction of lubricant replacement intervals under extreme operating conditions (high humidity, aggressive environment, high temperatures and large temperature fluctuations)	5.2.11
Higher temperatures reduce the oil change intervals	• Option CC: Check the cooling coil for deposits (fouling)	5.2.12
Every 20,000 operating hours, but at least every 4 years	• Re-grease the bearings in the gear unit (only for SK5..07 to SK6..07 and installation position M5/M6)	5.2.15
	• Option LC/LCX, CS1-X, CS2-X, OT: Replace hose lines	5.2.8
	• ATEX 2D/2G: Check the function of the thermistor	4.9
	• ATEX 2D/2G: Check the function of the pressure switch	4.4
Interval as stated in field MI of the name plate (only for Category 2G and 2D) or at least every 10 years	• General overhaul	5.2.19

Table 17: Inspection and maintenance intervals

 Information

The oil change intervals apply for normal operating conditions and operating temperatures up to 80 °C. The oil change intervals are reduced in the case of extreme operating conditions (operating temperatures higher than 80 °C, high humidity, aggressive environment and frequent fluctuations in the operating temperature).

 Information

The inspection and maintenance intervals (e.g. oil change) are also valid for the intermediate flange on the auxiliary drive (option WX). For the auxiliary gear unit itself, (option WX) or the first-stage gear unit (option WG) the “Manual with installation instructions” [B1000](#) applies.

For components supplied with the product, read the relevant manufacturers' operating instructions.

5.2 Service and maintenance work

DANGER

Explosion hazard



- No explosive atmosphere must be present during repair work.
- When cleaning the gear unit, do not use procedures or materials which may cause electrostatic charging of the gear unit or adjacent non-conducting components.

5.2.1 Visual inspection for leaks

The gear unit must be checked for leaks. Attention should be paid to escaping gear oil and traces of oil on the exterior or underneath the gear unit. In particular, the radial shaft seals, cover caps, screw fittings, hoses and housing joints should be checked.

Information

Radial shaft seals are components with a limited life and are subject to wear and ageing. The service life of radial shaft seals depends on various ambient conditions. Temperature, light (especially UV light), ozone and other gases and liquids affect the ageing process of radial shaft seals. Some of these influences may change the physical or chemical properties of the radial shaft seals and result in a significant reduction of their service life. Foreign matter (e.g. dust, sludge, sand, metallic particles) and excess temperature (excessive speed or external heating) accelerate the wear of the sealing lip. These sealing lips are made of an elastomer material and are lubricated with a special grease at the factory. This reduces the wear due to their function and ensures a long service life. An oil film in the region of the rubbing sealing lip is therefore normal and is not due to leakage (see chapter 7.7 "Leakage and leak-tightness").

NOTICE

Damage to the radial shaft seals through unsuitable cleaning agents

Unsuitable cleaning agents may damage the radial shaft seals, which may then cause an increased risk of leaks.

- Do not clean the gear unit with cleaning agents which contain acetone or benzol.
- Avoid contact with hydraulic oils.

If leaks are suspected, the gear unit should be cleaned, the oil level checked and checked again for leaks after approx. 24 hours. If a leak is confirmed (dripped oil), the gear unit must be repaired immediately. Please contact the NORD service department.

5.2.2 Check for running noises

If the gear unit produces unusual running noises or vibrations, this could indicate damage to the gear unit. In this case the gear unit must be repaired immediately. Please contact the NORD Service department.

5.2.3 Check fan and spaces between the ribs (Maxxdrie XT) (Option: FAN-A, FAN-R)

Keep the inlet and outlet on the fan cover and the fan wheel free from dirt.

Fan operation increases the probability of dirt and dust deposits in the spaces between the cooling webs of a ribbed gear unit housing (Maxxdrie XT). This will reduce the thermal dissipation performance of the housing. As a consequence, the gear unit is no longer cooled sufficiently. Clean the spaces between the ribs.

Pay attention to the information from Section 4.5 "Gear unit cooling with fan (Option: FAN-A, FAN-R)" prior to commissioning again.

5.2.4 Cleaning the heat exchanger (Option: CS2-X)

Clean the heat exchanger of the oil/air cooler (Option: CS2-X) regularly in order to maintain the efficiency. Pay attention to the operating instructions of the oil/air cooler.

5.2.5 Device category 2D: Cleaning the cover cap (Option: H) and the motor adapter (Options: IEC, NEMA)

Remove the cover cap in case of severe soiling. Remove dust deposits in the cover cap, on the output shaft and on the shrink disk. Remount the cover cap afterwards (see Section 3.12 "Installing the cover cap, air baffle (Option: H, H66, FAN, MF., MS...)").

If the interior of the motor adapter is severely soiled, remove the motor. Remove dust deposits from the interior and the coupling. Then fit the motor as described in Section 3.13.

5.2.6 Oil level

The installation position must comply with the version on the name plate.

DANGER

Explosion hazard



- Switch off the drive before checking the oil level.
- Secure the drive against inadvertent switching on, for example with a padlock.
- Allow the gear unit to cool down. The oil temperature should be between 20 °C and 40 °C.

Checking the oil level

Information

The SAFOMI option requires a different procedure for checking and adjusting the oil level than that which is described here (see chapter 5.2.6.7 "No-seal adapter for vertical gear units (option SAFOMI)").

i Information

Incorrect oil level indication due to trapped air

During commissioning and after changing the oil, air (air pockets) may become trapped in the gear unit oil bath. These disappear during operation. The resulting space fills with lubricant. Because of this, the oil level may deviate in comparison with the initial filling. This process may take several days. During this period, an incorrect oil level indication cannot be ruled out.

- Check the oil level at regular intervals, especially after commissioning or changing the oil.

1. Shut down the drive.
2. Make sure to wait for 5 to 10 minutes.
3. Check the oil level only when the gear unit is at a standstill and when the oil is free from foaming.
 - An oil level above the “Max” marking is impermissible and may indicate the ingress of foreign liquids (e.g. water). → Check the water content of the oil.
 - An oil level below the “Min” marking is impermissible and may indicate a leak.

An impermissible oil level may damage the gear unit.

- Find and correct the reason for the incorrect oil level.
- If applicable, correct the oil level or change the oil (see Section 5.2.11 "Oil change").

Use the gear oil type stated on the name plate.

- If possible, filling should be carried out via the vent position.

Other filling positions are possible. The specific dimension sheet for the order is definitive.

For the positions of the oil level measuring device, the vent and the oil drain, please refer to the specific dimension sheet for the order.

5.2.6.1 Oil level screw

1. The corresponding oil level screw must be removed.
2. Check the oil level in the gear unit with the dipstick supplied (Part No.: 28300500), as shown in Figure 32. To do this, the part of the dipstick which is submerged in the oil must be held vertically. The maximum oil level is the lower edge of the oil level hole. The minimum oil level is approx. 4 mm below the lower edge of the oil level hole. The dipstick then just dips into the oil.
3. If the integrated seal of the oil level screw is damaged, a new oil level screw must be used or the thread cleaned and coated with securing adhesive, (e. g. Loctite 242, Loxeal 54-03) prior to insertion.
4. Fit the oil level screw together with the sealing ring and tighten to the correct torque (see chapter 7.4 "Screw tightening torques").

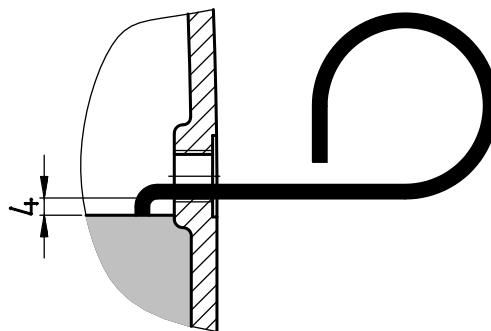


Figure 32: Checking the oil level with a dipstick

5.2.6.2 Oil inspection glass/oil level glass (Option: OSG), Oil level indicator (Option: OST)

The oil level can be seen directly in the window. The correct oil level is the middle of the inspection glass. For the oil level indicator version, the oil level must be in the middle.

5.2.6.3 Oil dipstick (Option: PS)

1. Unscrew the dipstick from the gear unit and wipe it with a clean cloth.
2. Fully insert the dipstick into the gear unit and unscrew it again.
3. The oil level must be between the upper and lower marking.

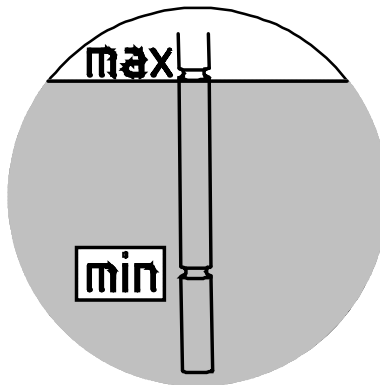


Figure 33: Checking the oil level with an oil dip-stick

5.2.6.4 Oil level tanks (Option: OT)

NOTICE

Damage to the gear unit due to low oil level

An oil level below the Min marking may indicate a leak. This may result in damage to the gear unit.

- Clarify and remedy the reason for the incorrect oil level.

NOTICE

Damage to the gear unit due to high oil level

If the gear unit is delivered with oil and installation position M5 the oil reservoir tank vessel is completely filled by NORD. High oil levels may result in damage to the gear unit.

- Ensure the correct oil level prior to commissioning.

Check the oil level prior to commissioning. A gear unit which is in operation must be shut down at least 20 to 30 minutes before checking the oil level.

The oil level must be checked with the gear unit at a standstill and with foam-free oil in the installation position stated on the name plate.

If the oil level is below the minimum level (lower edge of the inspection window), the oil level must be corrected by topping up with lubricant.

- a. Oil reservoir tank and dipstick (standard configuration) (characteristic: cylindrical container): The oil level must be checked with the aid of the dipstick plug (thread G1¼) in the oil tank. The sequence is as described in the previous section.
- b. Oil reservoir tank and oil level indicator (standard configuration) (characteristic: rectangular container): The oil level can be seen directly in the window. The correct oil level is the middle of the oil level indicator.

After correction of the oil level, oil level screws, dipsticks, vents and oil drain screws which have been unscrewed must be screwed in again and tightened with the correct torques (see Section 7.4 "Screw tightening torques").

5.2.6.5 Checking the leak indicator (Option: VL3, KL3 with Drywell)

The leak indicator enables detection of leaks before oil escapes from the gear unit. The leak indicator must be checked at the intervals which are stated in the service schedule.

1. Check whether oil can be seen inside or outside of the leak indicator. If no oil is visible, no further measures are necessary.
2. If oil is visible in the leak indicator, remove the leak indicator cover cap and catch the escaping oil in a suitable container.
 - Often there is only a temporary fault in the sealing system, e.g. due to small particles of dirt underneath the sealing lip, which can be removed during further operation. In this case, the quantity of oil which has escaped by the next interval is smaller or no oil has escaped. A repair is not necessary at this time.
 - If a larger quantity of oil has escaped by the next interval, there is a permanent malfunction of the sealing system, which must be repaired. In this case, please contact NORD Service.

5.2.6.6 Auxiliary drive (option WX), first-stage gear unit (option WG), fluid coupling

Auxiliary drive (option WX)

Check the oil level on the auxiliary drive according to documentation B1000.

Also check the oil level in the intermediate flange. The oil level is directly shown in the inspection window. The oil level is correct if the oil reaches up to the middle of the oil inspection glass.

For the position of the auxiliary drive, refer to the order-related dimension sheet.

First-stage gear unit (option WG)

Check the oil level on the auxiliary drive according to documentation B1000.

For the position of the auxiliary drive, refer to the order-related dimension sheet.

Fluid coupling

Check the oil level according to the manufacturer's documentation of the coupling.

5.2.6.7 No-seal adapter for vertical gear units (option SAFOMI)

NOTICE

Damage to the gear unit due to insufficient lubricant

Oil foam formation may indicate contamination of the oil, e.g. due to the entry of foreign liquids. Contamination impairs the lubricating properties of the gear oil and may result in damage to the gear unit.

- Check the gear oil for water and other contaminants.
- Change the oil.
- Clarify and remedy the cause of oil contamination.

With this option, the gear unit housing is equipped with a 3D oil inspection glass.

- Check the oil level in the gear unit housing with the 3D oil inspection glass. The 3D oil inspection glass must always be completely filled with oil.

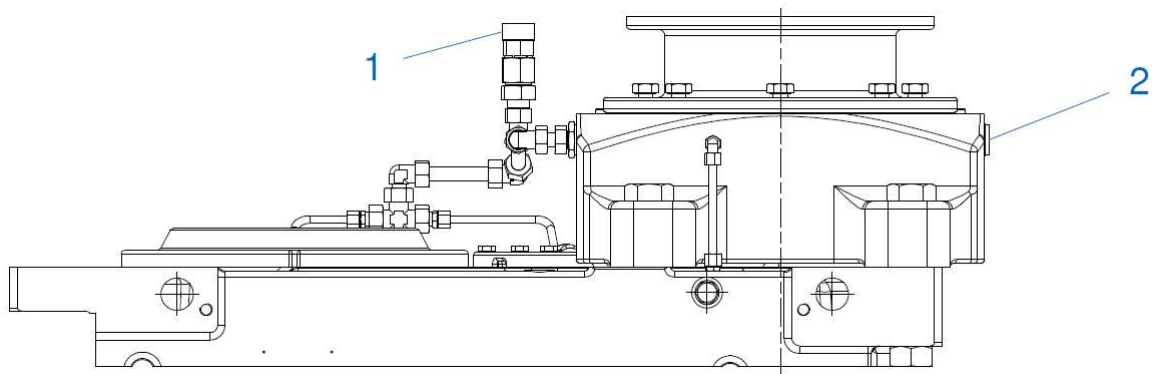


Figure 34: Illustration air space

Before topping up the oil, unscrew the (pressure) vent (1) or the screw plug (2) in the air space so that air can escape from the gear unit.

Information

Incorrect oil level indication due to trapped air

During commissioning and after changing the oil, air (air pockets) may become trapped in the gear unit oil bath. These disappear during operation. The resulting space fills with lubricant. Because of this, the oil level may deviate in comparison with the initial filling. This process may take several days. During this period, an incorrect oil level indication cannot be ruled out.

- Check the oil level at regular intervals, especially after commissioning or changing the oil.

5.2.7 Visual inspection of the rubber elements of the elastic torque arm (Option: ED)

If these show damage such as tears to the surface, the rubber elements must be replaced. In this case, please contact NORD Service.

5.2.8 Visual inspection of cables

5.2.8.1 Piping (Option: LC, LCX, OT)

The piping of lubrication circulation systems or vent lines for full oil level in combination with oil level tanks must be checked for leaks.

The affected pipes must be replaced in case of leaks. In this case, please contact NORD Service.

5.2.8.2 Hose lines (Option: LC, LCX, CS1-X, CS2-X, OT)

Hose lines are used as intake and pressure lines for lubricant circulation and for cooling units. An oil reservoir tank can also be connected to the gear unit via hoses.

Hoses are subjected to a natural ageing process due to external influences, e. g. due to UV radiation.

DANGER



Explosion hazard

Electrostatic discharge may result in sparks.

- Use only electrically conductive hoses.

Check the hoses and screw connectors for leaks, cuts, tears, porous areas and chafing. In case of damage, the hoses must be replaced. Please contact the NORD service department.

5.2.9 Oil filter (Option: CS1-X, CS2-X, LC/LCX)

As standard, the oil filter is equipped with a visual contamination indicator. It is recommended that the filter element is replaced at the latest after an operating period of one year.

The filter element must be replaced immediately if the contamination indicator triggers. Refer to the relevant manufacturer's documentation for further information.

5.2.10 Remove dust

Dust layers on the gear unit housing and on the fan blades degrade the cooling performance and lead to overheating. Remove dust deposits. For ribbed gear unit housings, special care must be taken that the spaces between the ribs are cleaned at regular intervals.

5.2.11 Oil change

WARNING

Risk of burns and injuries

- Allow the hot gear unit to cool down before touching it. However, the gear unit should still be warm so that the oil can drain out faster.
- Wear protective gloves and goggles when changing the oil.

Information

Getriebebau NORD recommends regular analysis of the gear oil to optimise the oil change interval.

The position of the oil drain screw or the optional drain tap, the vents and devices for checking the oil level should be obtained from the order-related dimension sheet.

For gear units with auxiliary drive (option WX), the same interval is valid for the oil in the intermediate flange as for the industrial gear unit.

Procedure:

1. Choose a collection vessel according to the oil quantity stated on the name plate. Place the collection vessel under the oil drain screw or the oil drain tap.
2. Unscrew the vents from the gear unit.
3. Unscrew the oil drain screw from the gear unit. With a drain tap, unscrew the closing cap from the drain tap and open the drain tap.
4. Completely drain the oil from the gear unit. If present, also empty filters and piping.
5. In order to remove oil sludge particles, due to wear and old residues, flush the oil space. For this, use the same type of oil, which is used during operation.
6. Clean the thread of the oil drain screw or the screw plug of the oil drain tap. Coat the screw with securing adhesive, e.g. Loctite 242 or Loxeal 54-03. Tighten the screws with the correct torque ((see chapter 7.4 "Screw tightening torques"))).
7. Fill the gear unit with the specified quantity of fresh oil according to the name plate through the vent hole. If the gear unit is equipped with a dipstick, the oil may be filled through this hole.
8. Check the oil level according to Section 5.2.6 "Oil level" after 15 minutes, for a gear unit with oil reservoir tank, after 30 minutes. Correct the oil level as necessary.

5.2.12 Checking the cooling coil for deposits (Option: CC)

The cooling water flow rate must be controlled. For this, pay attention to the information in Section 4.6 "Cooling coil (Option: CC)".

If a chemical cleaner is used, it must be ensured that the cleaning agent does not attack the material of the cooling coil (copper pipe and brass fittings).

Check the cooling coil and the cover for leaks if strong corrosion is found on the connections.

Please contact the NORD Service department.

5.2.13 Cleaning or replacing the vent

5.2.13.1 Vent filter (Option: FV)

The ventilation filter uses a wire mesh as the filter material and enables an equalisation of pressure between the interior of the gear unit and the environment. Visually check the ventilation filter for soiling. A soiled filter is no longer capable of fulfilling its function and must be replaced.

1. Unscrew the old ventilation filter.
2. Screw in the new ventilation filter with a new sealing ring (see chapter 7.4 "Screw tightening torques").



Figure 35: Vent filter (Option FV)

5.2.13.2 Cellulose filter (Option: EF)

This filter uses cellulose as the filter material. The filter insert is replaceable.

1. Unscrew the cap of the filter insert
2. Remove and check the filter element
3. Optional: Replace the filter element in case of contamination
4. Insert the filter insert
5. Put on the cover and tighten finger-tight



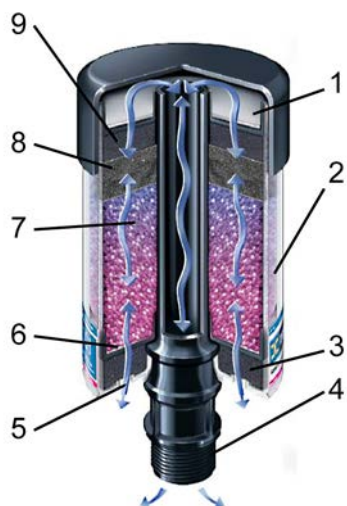
Figure 36: Cellulose filter (Option EF)

5.2.13.3 Drying agent filter / Wet air filter (Option: DB)

NOTICE

Risk of breakage

- The filter must be protected with a cover.



Legend

- 1: Second filter element
- 2: Polycarbonate housing
- 3: Foam pad
- 4: Connecting thread
- 5: Air inlet
- 6: Filter element
- 7: Silica gel
- 8: Active carbon pad (optional)
- 9: Foam pad

Figure 37: Drying agent filter, example version

Drying agent filters are intended to prevent damp oil, condensation and rust in the system, as well as to increase the service life of the oil and the machine filters.

Drying agent filters use silica gel as the filter material. The degree of contamination of the filter is visible from the outside. With increasing contamination the colour of the filter material changes from blue to pink. The colour change starts in the lower area and spreads to the upper area. The filter should be replaced when three quarters of the filter have changed colour.

1. Check the degree of contamination.
2. If replacement is necessary, unscrew the old drying agent filter.

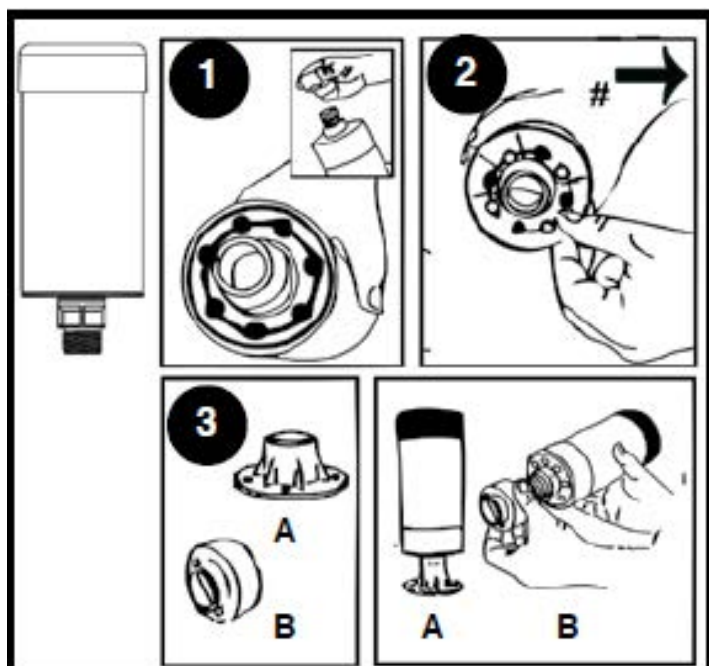


Figure 38: Installing the drying agent filter

3. Remove the blue plug on the underside of the central pipe (1) of the new drying agent filter.
4. Remove the two opposing red plugs (2) on the underside of the filter.
5. Screw in the new drying agent filter finger tight (3).

i Information

The moisture separation performance is better if all of the plugs are removed. The period of use before saturation is then slightly shorter.

5.2.13.4 Pressure venting (Option: DR)

The pressure venting only releases excess pressure from the gear unit. Ambient air cannot enter the gear unit via the pressure vent. Because of this, the pressure vent is not equipped with filter material.

1. Unscrew the pressure vent screw from the gear unit
2. Thoroughly clean the vent (e.g with compressed air)
3. Perform a function test
4. Optional: Replace the pressure vent screw
5. Screw the pressure vent screw into the gear unit together with a new sealing ring ((see chapter 7.4 "Screw tightening torques"))

5.2.14 Replacing the shaft sealing ring

Once the shaft sealing ring has reached the end of its service life, the oil film in the region of the sealing lip increases and a measurable leakage with dripping oil occurs. **The radial shaft seal must then be replaced.** The space between the sealing lip and the protective lip must be filled approximately 50 % with grease on fitting (recommended grease: PETAMO GHY 133N). Take care that after fitting, the new radial shaft seal does not run in the old wear track.

i Information

Special installation rules must be observed when replacing **MSS7 seals** in order to achieve a normal operating life. MSS7 seals are two-part seals which consist of a liner with an axial dust lip and a radial shaft sealing ring with a radial dust lip (Figure 39: MSS7 seal). Please contact the NORD Service department in case of any queries.

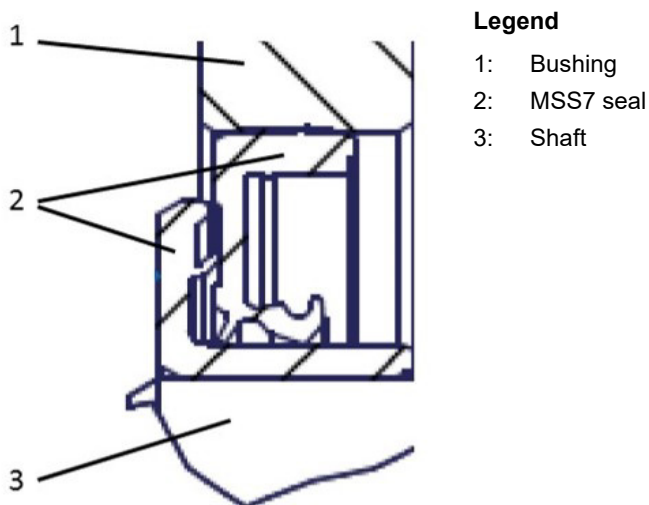


Figure 39: MSS7 seal

5.2.15 Re-lubrication of bearings in the gear unit

NOTICE

Damage to the gear unit due to insufficient lubricant

There is a risk of bearing failure in the event of inadequate lubrication.

- It is essential to comply with the recommended intervals.
- Only use greases which are approved by Getriebebau NORD.
- Never mix different greases. If different greases are mixed, the gear unit may be damaged due to inadequate lubrication caused by incompatibility between the different greases.
- Avoid contamination of the grease with foreign substances and washing out of the grease by lubricating oil.

As standard, all bearings in the gear units are lubricated with an oil bath. Lubricant circulation is used for installation positions where this is not possible, or in case of reduced oil levels.

Exceptions to this are gear units SK 5..07 to SK 6..07 in installation position M5/M6. In this installation position, the upper bearings are lubricated with grease.

Please contact the NORD Service department for replacement of the grease in the roller bearings.

Recommended grease: Petamo GHY 133N - Klüber Lubrication. (see chapter 7.3.1 "Roller bearing greases")

5.2.16 Re-lubricating the bearing in the output flange (Option: VL2/3/4/6, KL2/3/4/6)

⚠ WARNING

Risk of injury and burns from the gear unit

There is a risk of injury, as re-lubrication must be carried out while the gear unit is running.

- Observe the safety information in the safety section.

NOTICE

Damage to the gear unit due to insufficient lubricant

There is a risk of bearing failure in the event of inadequate lubrication.

- It is essential to comply with the recommended intervals.
- Only use greases which are approved by Getriebebau NORD.
- Never mix different greases. If different greases are mixed, the gear unit may be damaged due to inadequate lubrication caused by incompatibility between the different greases.
- Avoid contamination of the grease with foreign substances and washing out of the grease by lubricating oil.

NOTICE

Bearing damage through incorrect re-greasing

- Avoid high pressures when re-greasing, to avoid damage to the surrounding seals.
- The gear unit must be in operation during re-greasing.

For agitator version gear units re-lubrication of the lower grease-lubricated bearing in the output flange is necessary. The flanges are equipped with DIN 71412 conical grease nipples in the area of the bearings.

The roller bearings are sufficiently filled with grease as delivered, however they must be re-lubricated at regular intervals (see chapter 5.1 "Inspection and maintenance intervals").

1. Clean any dirt from the grease nipple so that no foreign matter is pressed into the bearing with the grease.
2. Unscrew the closing cap which is approximately opposite to the grease nipple, so that excess old grease can escape.
3. Press grease into the grease nipple in the area of the bearing according to the quantities stated in the following table.

The recommended grease type is Petamo GHY 133N - Klüber Lubrication (see chapter 7.3.1 "Roller bearing greases").

4. Catch the grease which escapes from the closing cap opening.
5. Remove the residual grease in the area of the closing cap.
6. Close the closing cap

Quantity	Grease quantity VL [g]	Grease quantity KL [g]
SK5.07	110	60
SK6.07	110	60
SK7.07	200	130
SK8.07	200	130
SK9.07	210	170
SK10.07	210	170
SK11.07	220	180
SK12.07	220	180
SK13.07	340	230
SK14.07	340	230
SK15.07	380	240

Table 18: Grease quantities for re-greasing the lower output shaft bearing

5.2.17 Check the gear unit monitoring (only for 2G / 2D)

5.2.17.1 Resistance thermometer

A check of the effectiveness of the temperature monitoring is necessary for the function test. The limiting value which is set must be reduced to a value which is achieved in normal operation and the triggering behaviour observed. The function test must be documented. After this, the old limit value must be set again.

5.2.17.2 Pressure switch

A check is necessary for the function test of the effectiveness of the pressure monitoring. The set limit value must be increased to a value, which is achieved during normal operation, and the response behaviour must be observed. The function test must be documented. After this, the old limit value must be set again.

5.2.18 Inspection cover

⚠ WARNING

Risk of injury due to rotating parts and danger of burns

- Switch off the drive before opening the inspection cover.
- Secure the drive against inadvertent switching on, for example with a padlock.
- Allow the gear unit to cool down. The oil temperature should be less than 40 °C.

⚠ CAUTION

Risk of chemical burns and skin irritation

Chemical substances which are used with the gear unit may be toxic. If these substances get into the eyes, eye injury can be caused. Lubricants and adhesives can cause skin irritation.

- Wear protective gloves and goggles.

NOTICE

Risk of damage to bearings, gear wheels, shafts

Foreign bodies in the gear unit can damage bearings, gear wheels and shafts.

- Prevent the entry of foreign bodies into the gear unit.

Opening an inspection cover enables the visual inspection of parts of the gear unit interior (gear wheels, shafts, bearings).

Depending on the version, inspection covers are designed with different sealing systems (e.g. flat seals, liquid seal, O-ring seal).

Only use the provided seal type!

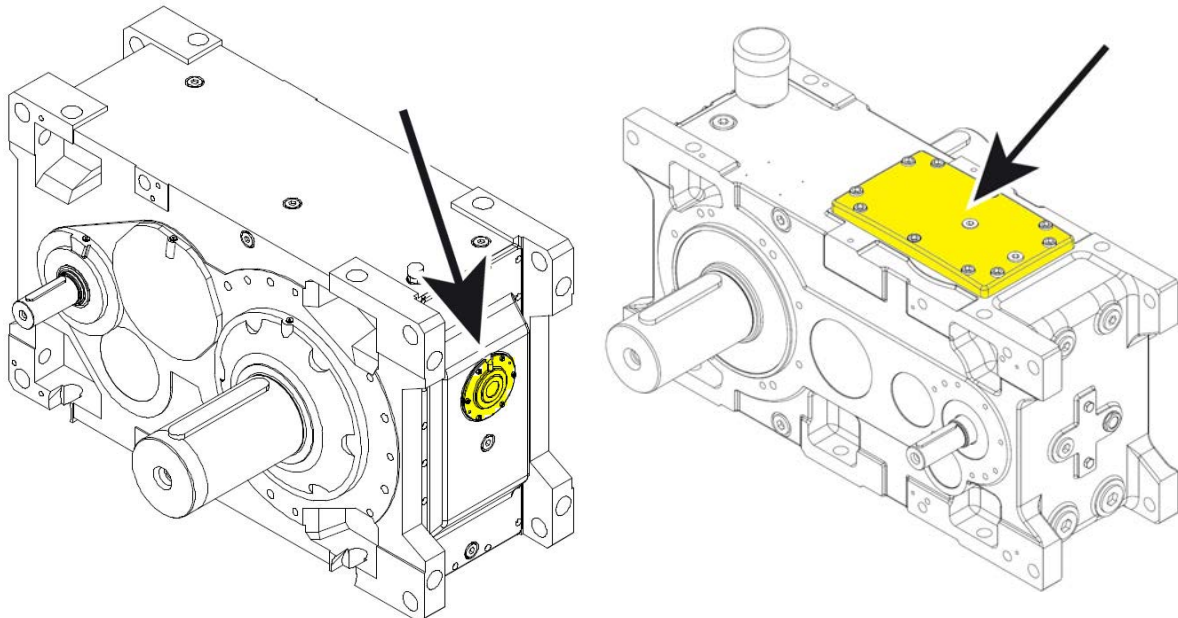


Figure 40: Examples of inspection covers

Checking inspection covers

1. Check fastening screws for firm fit.
2. Check sealing of the cover.

If sealings or screws are damaged or not usable, replace them. Proceed as described below.

Disassembly of the inspection cover

1. Loosen the cover.
2. Remove the cover with seal.

Make sure that no foreign bodies fall into the gear unit interior.

Assembly of the inspection cover

1. Clean the seal surfaces on the gear unit housing and on the inspection cover.
2. Replace screws that have become unusable with screws of the same design and strength class.
3. Replace seals that have become unusable.
4. Screw the cover tightly with the provided tightening torques.

(see chapter 7.4 "Screw tightening torques")

5.2.19 General overhaul



Explosion hazard



- The general overhaul must be carried out by qualified personnel in a specialist workshop with appropriate equipment.
- We urgently recommend that the general overhaul is carried out by the NORD Service Department.

With Category 2G and 2D gear units, a general overhaul is necessary after a specified period of operation.

The approved period of operation is usually stated on the name plate in field MI.

Alternatively, the maintenance class CM may be stated in field MI (e.g.: MI CM = 5.).

In this case, the time for general overhaul in years after commissioning (N_A) is calculated according to the following formula: The maximum permissible duration of operation after commissioning is 10 years. This also applies to higher calculated values.

$$N_A = CM \cdot f_L \cdot k_A$$

CM Maintenance class according to field MI of the name plate

f_L : Running time factor

$f_L = 10$ Maximum running time 2 hours per day

$f_L = 6$ Running time 2 to 4 hours per day

$f_L = 3$ Running time 4 to 8 hours per day

$f_L = 1.5$ Running time 8 to 16 hours per day

$f_L = 1$ Running time 16 to 24 hours per day

k_A : Utilisation factor (usually $k_A = 1$)

Longer maintenance intervals often result if the actual power required by the application is known. The utilisation factor may be calculated as follows.

$$k_A = \left(\frac{P_1}{P_{tat}} \right)^3$$

P_1 Max. permissible drive power or motor power in kW according to the name plate

P_{tat} : Actual drive power or motor power in kW which is required by the application at the rated speed., determined e.g. by measurements

For variable loads with differing actual drive powers with nominal speeds P_{tat1} , P_{tat2} , P_{tat3} , ... with known percentage times q_1 , q_2 , q_3 , ..., the following equivalent average drive power applies:

$$P_{tat} = \sqrt[3]{P_{tat1}^3 \cdot \frac{q_1}{100} + P_{tat2}^3 \cdot \frac{q_2}{100} + P_{tat3}^3 \cdot \frac{q_3}{100} + \dots}$$

During general overhaul, the gear unit is completely dismantled. The following work steps are carried out:

- All gear unit components are cleaned.
- All gear unit components are checked for damage.
- Damaged parts are replaced.
- All roller bearings are replaced.
- Replace all seals, radial shaft seals and Nilos rings.
- Optional: The back stop will be renewed.
- Optional: Replace the elastomers in the coupling.

6 Disposal

Observe the current local regulations. In particular, lubricants must be collected and disposed of correctly.

Gear unit components	Material
Gearwheels, shafts, roller bearings, keys, circlips, ...	Steel
Gear unit housing, housing components, ...	Grey cast iron
Light alloy gear unit housing, light alloy housing components, ...	Aluminium
Worm gears, sockets, ...	Bronze
Radial shaft seals, sealing caps, rubber components, ...	Elastomers with steel
Coupling components	Plastic and steel
Flat seals	Asbestos-free sealing material
Gear oil	Additive mineral oil
Synthetic gear oil (adhesive label: CLP PG)	Polyglycol-based lubricants
Synthetic gear oil (adhesive label CLP PG)	Poly-alpha-olefin based lubricants
Cooling coil, embedding material of the cooling coil, screw fittings	Copper, epoxy, yellow brass

Table 19: Materials

7 Appendix

7.1 Versions and mounting position

7.1.1 Parallel gear units

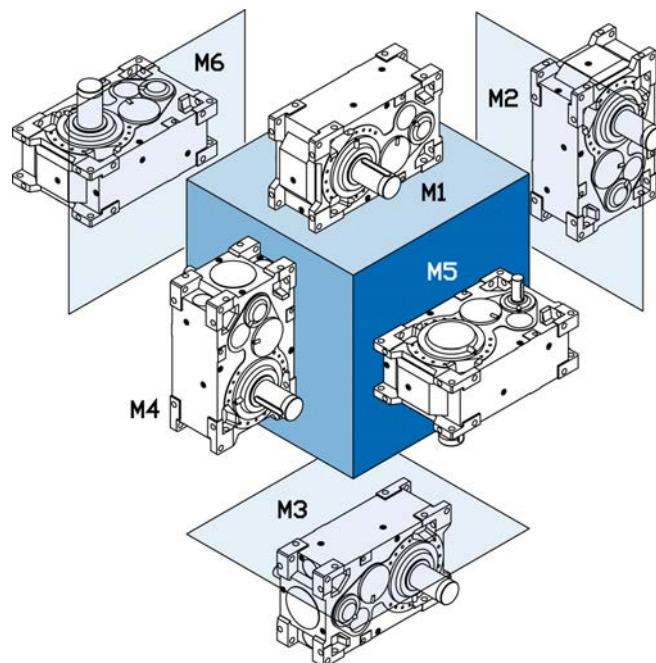


Figure 41: Helical gear unit installation positions with standard mounting surface

7.1.2 Helical bevel gear unit

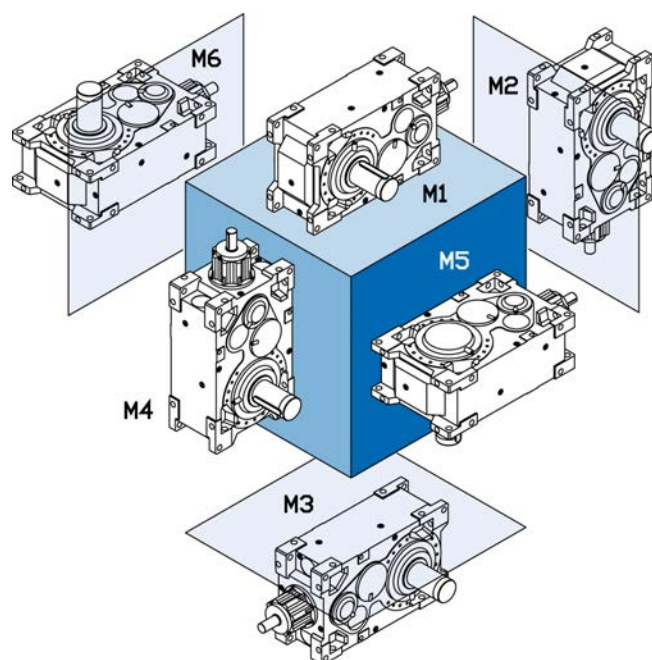


Figure 42: Bevel gear unit installation positions with standard mounting surface

7.2 Standard positions of the oil drain, vent and oil level

The configuration and the position of the oil drain, vent and oil level should be primarily obtained from the dimension sheet for the order. If this does not contain any details, the following details can be used.

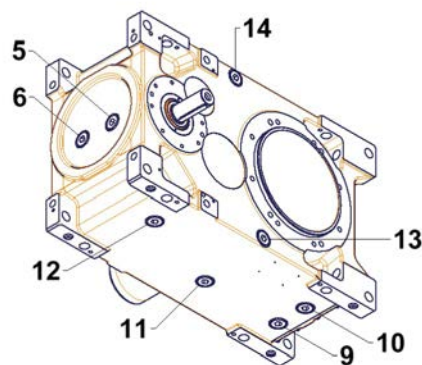
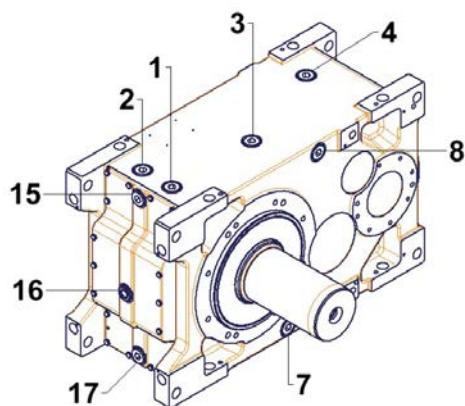
		5x07, 6x07		7x07-10x07		11x07-15x07		5x17 – 11x17
Option	Installation orientation	207 307	407 507	207 307	407 507	207 307	407 507	217
Oil sight glass	M1	6 (D)	16	5/6 (D)	16	5 (D)	17 (G)	5
	M2	7/13	7/13	7/13	7/13	7/13	7/13	---
	M3	5 (D)	16	5/6 (D)	16	6 (D)	16 (G)	---
	M4	4/12	---	4/12	---	4/12	---	---
	M5	---	---	---	---	---	---	---
	M6	---	---	---	---	---	---	---
Oil gauge	M1	/OT	/OT	/OT	/OT	/OT	/OT	/OT
	M2	/OT	/OT	/OT	/OT	/OT	/OT	---
	M3	/OT	/OT	/OT	/OT	/OT	/OT	---
	M4	/OT	/OT	/OT	/OT	/OT	/OT	/OT
	M5	/OT	/OT	/OT	/OT	/OT	/OT	/OT
	M6	/OT	/OT	/OT	/OT	/OT	/OT	/OT
Dipstick	M1	1/2 /OT	1/2 /OT	1/2 /OT	1/2 /OT	1/2 /OT	1/2 /OT	1/2
	M2	15/17 /OT	15/17 /OT	15/17 /OT	15/17 /OT	15/18 /OT	15/18 /OT	---
	M3	9/10 /OT	9/10 /OT	9/10 /OT	9/10 /OT	9/10 /OT	9/10 /OT	---
	M4	5/6 /OT	---	5/6 /OT	---	5/6 /OT	---	/OT
	M5	13/14 /OT	13/14 /OT	---	---	---	---	/OT
	M6	7/8 /OT	7/8 /OT	---	---	---	---	/OT
Drain cock	M1	7/13 (D)	7/13 (D)	7/13 (D)	7/13 (D)	7/13 (D)	7/13 (D)	6
	M2	5/6	---	5/6	---	5/6	5/6	---
	M3	8/14 (D)	8/14 (D)	8/14 (D)	8/14 (D)	8/14 (D)	8/14 (D)	---
	M4	15/17	15/17	15/17	15/17	15/18	15/18	4/5
	M5	7/8	7/8	7/8	7/8	7/8	7/8	7/8
	M6	13/14	13/14	13/14	13/14	13/14	13/14	9/10

		5x07, 6x07		7x07-10x07		11x07-15x07		5x17 – 11x17
Option	Installation orientation	207 307	407 507	207 307	407 507	207 307	407 507	217
Vent	M1	1/2 /OT	1/2 /OT	1/2 /OT	1/2 /OT	1/2 /OT	1/2 /OT	1/2
	M2	16 /OT	16 /OT	16 /OT	16 /OT	16/17 /OT	16/17 /OT	
	M3	9/10 /OT	9/10 /OT	9/10 /OT	9/10 /OT	9/10 /OT	9/10 /OT	
	M4	5/6 /OT		5/6 /OT		5/6 /OT		/OT
	M5	13/14 /OT	13/14 /OT					/OT
	M6	7/8 /OT	7/8 /OT					/OT
Key:								
Housing	Standard position in housing							
Lid	Standard position in lid							
Oil tank	Standard only possible in oil tank							
---	Special, not possible in standard							
/OT	If option OT, then always in the oil tank							
(D)	Optionally in the lid							
(G)	Optionally in the housing							

Table 20: Position of housing options on oil screw holes (standard installation positions)

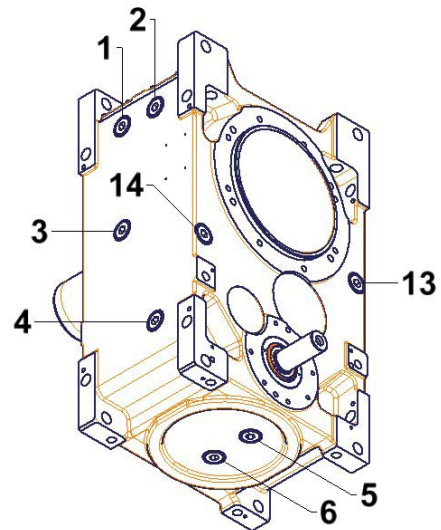
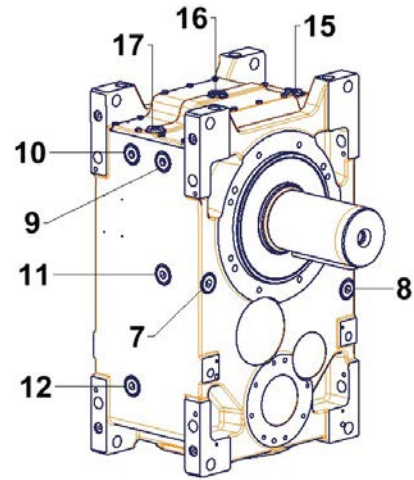
Gear units SK 5207 – SK 10507

M1 oil screw holes



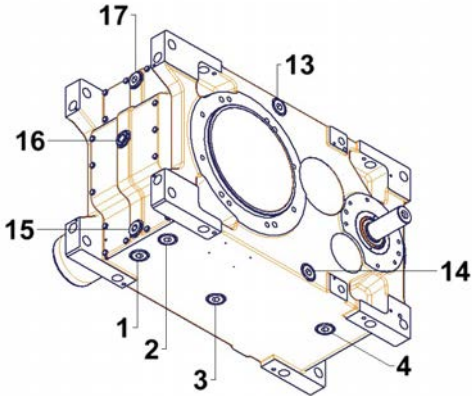
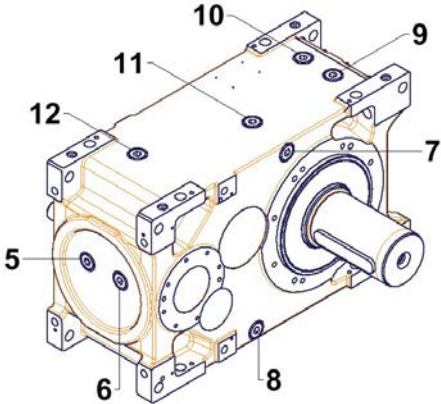
Gear units SK 5207 – SK 10507

M2 oil screw holes



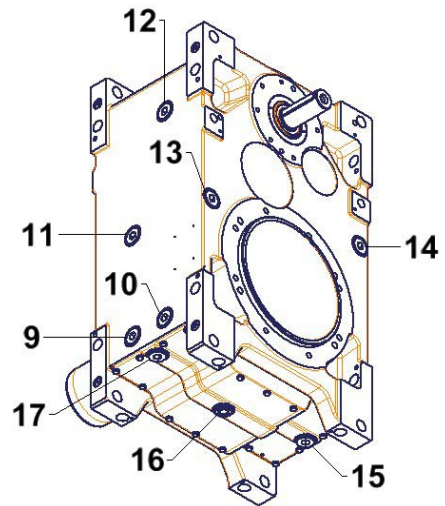
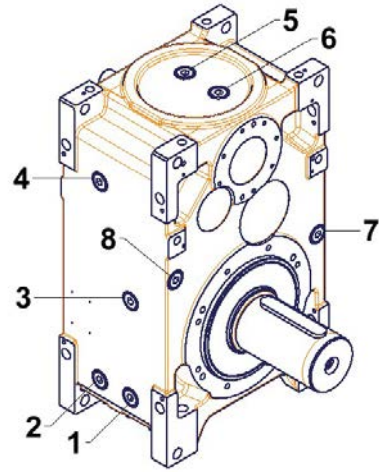
Gear units SK 5207 – SK 10507

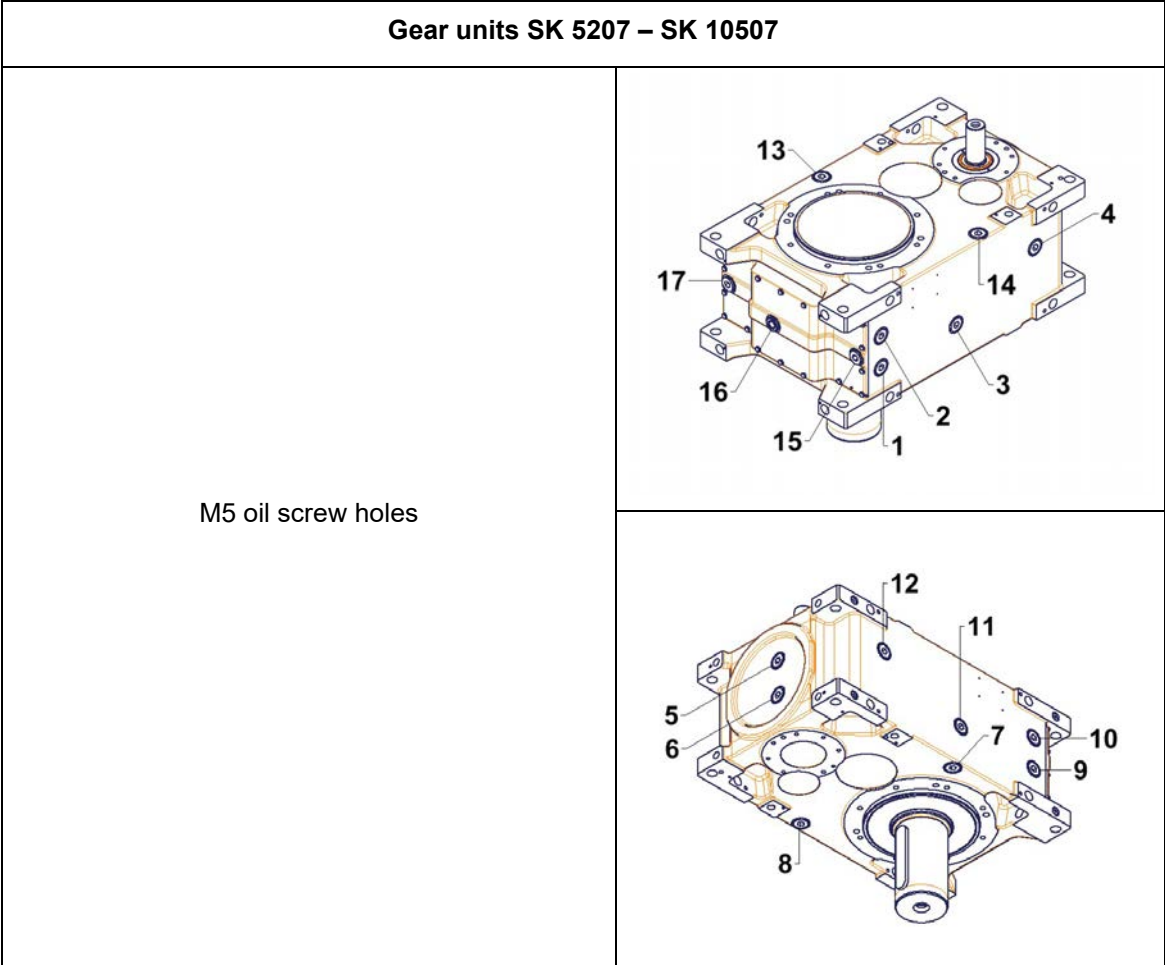
M3 oil screw holes



Gear units SK 5207 – SK 10507

M4 / oil screw holes





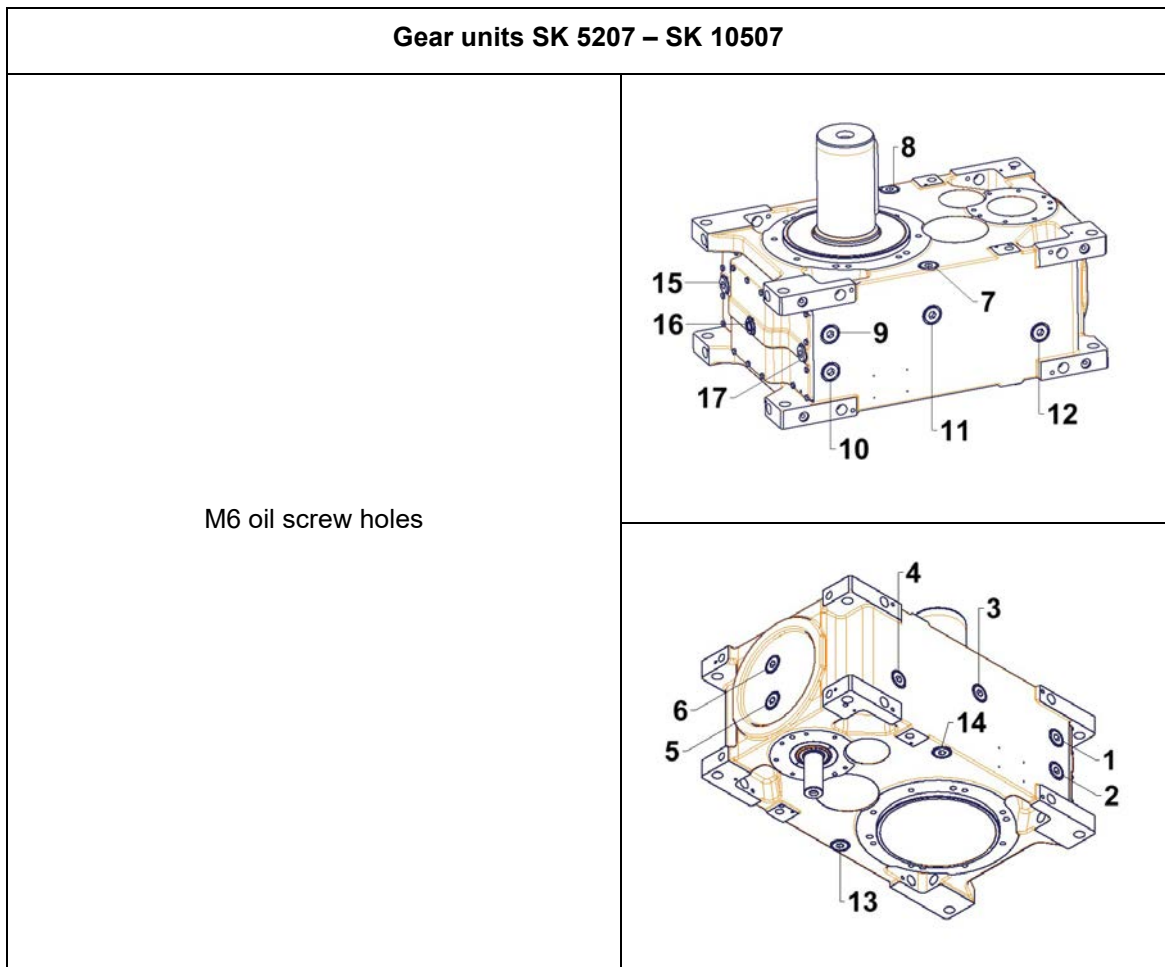
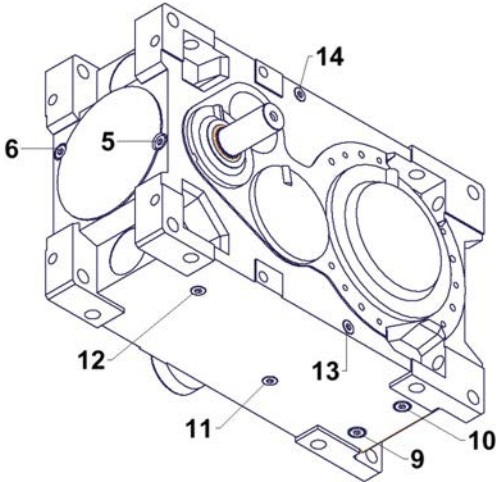
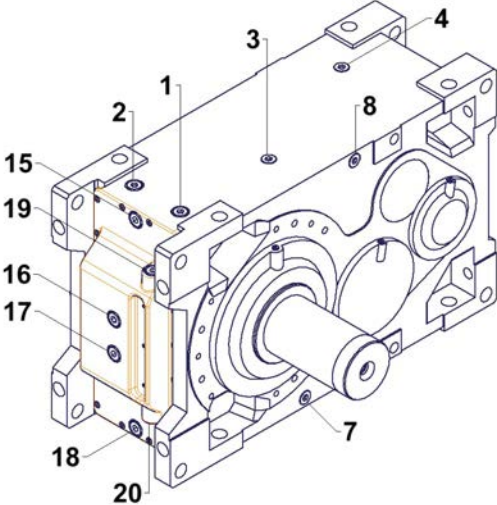


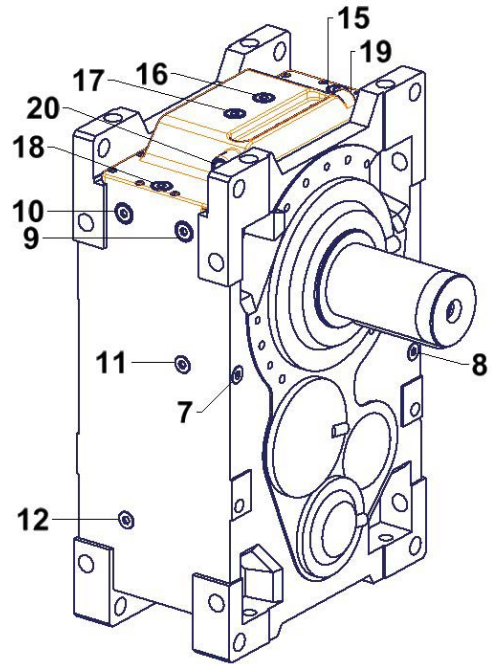
Figure 43: Numbering of oil screw holes on SK 5207 – SK 10507

Gear units SK 11207 – SK 15507

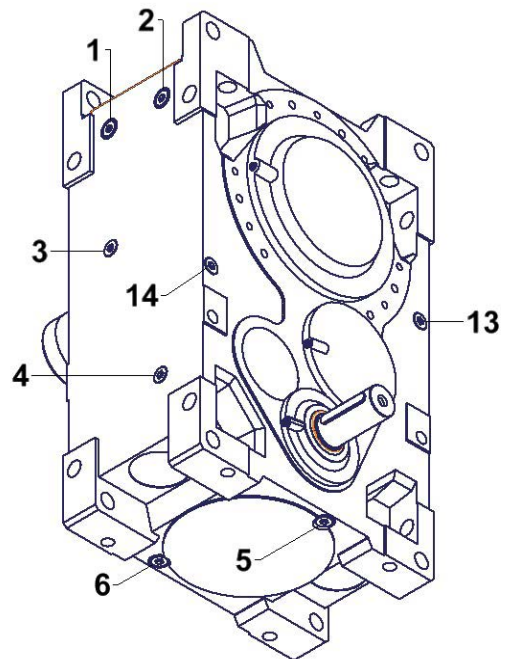
M1 oil screw holes



Gear units SK 11207 – SK 15507

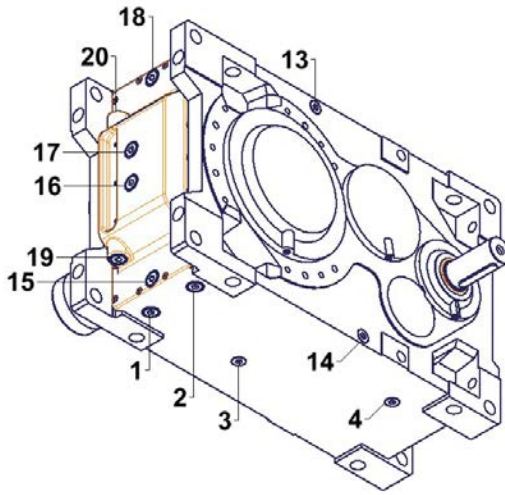
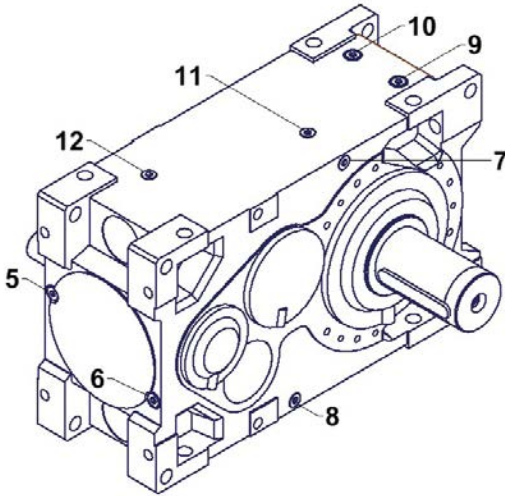


M2 oil screw holes



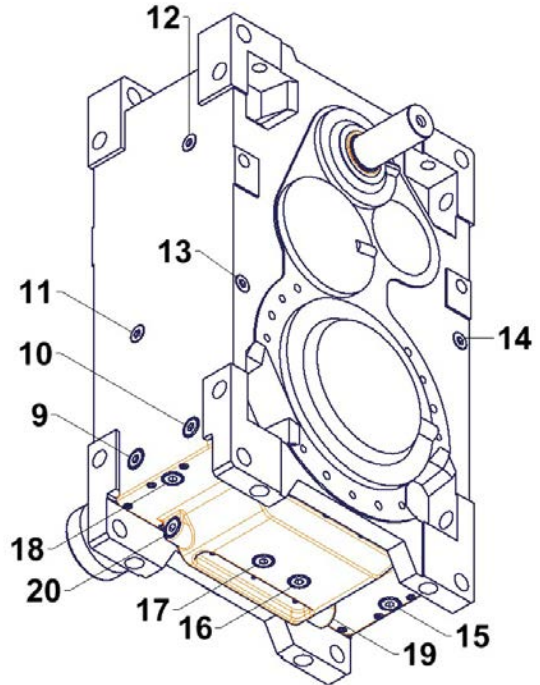
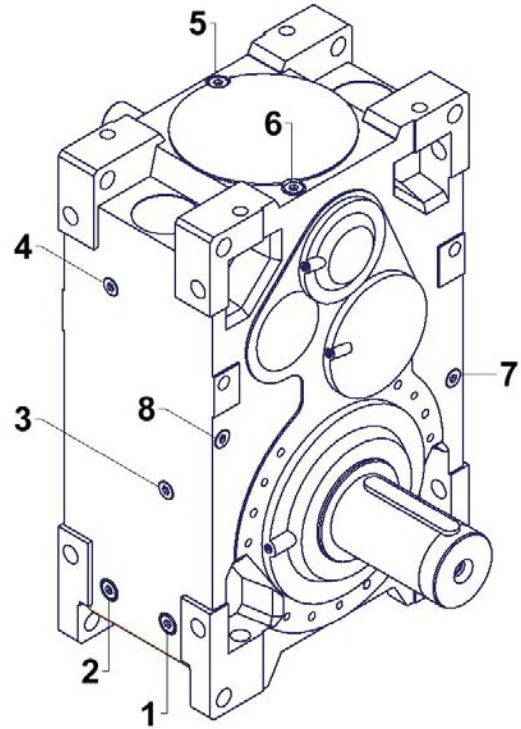
Gear units SK 11207 – SK 15507

M3 oil screw holes



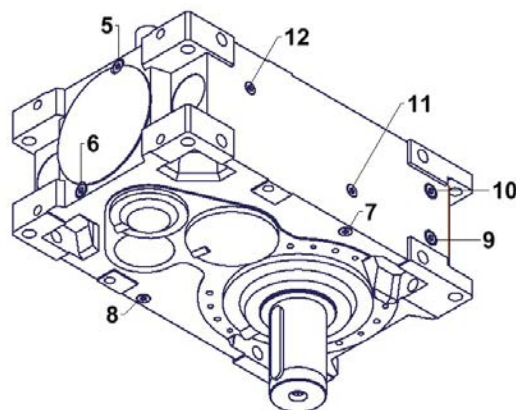
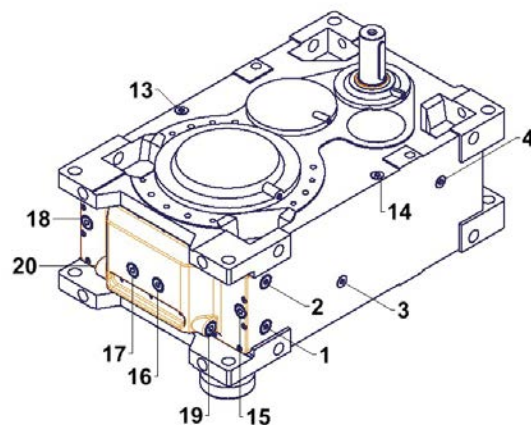
Gear units SK 11207 – SK 15507

M4 oil screw holes



Gear units SK 11207 – SK 15507

M5 oil screw holes



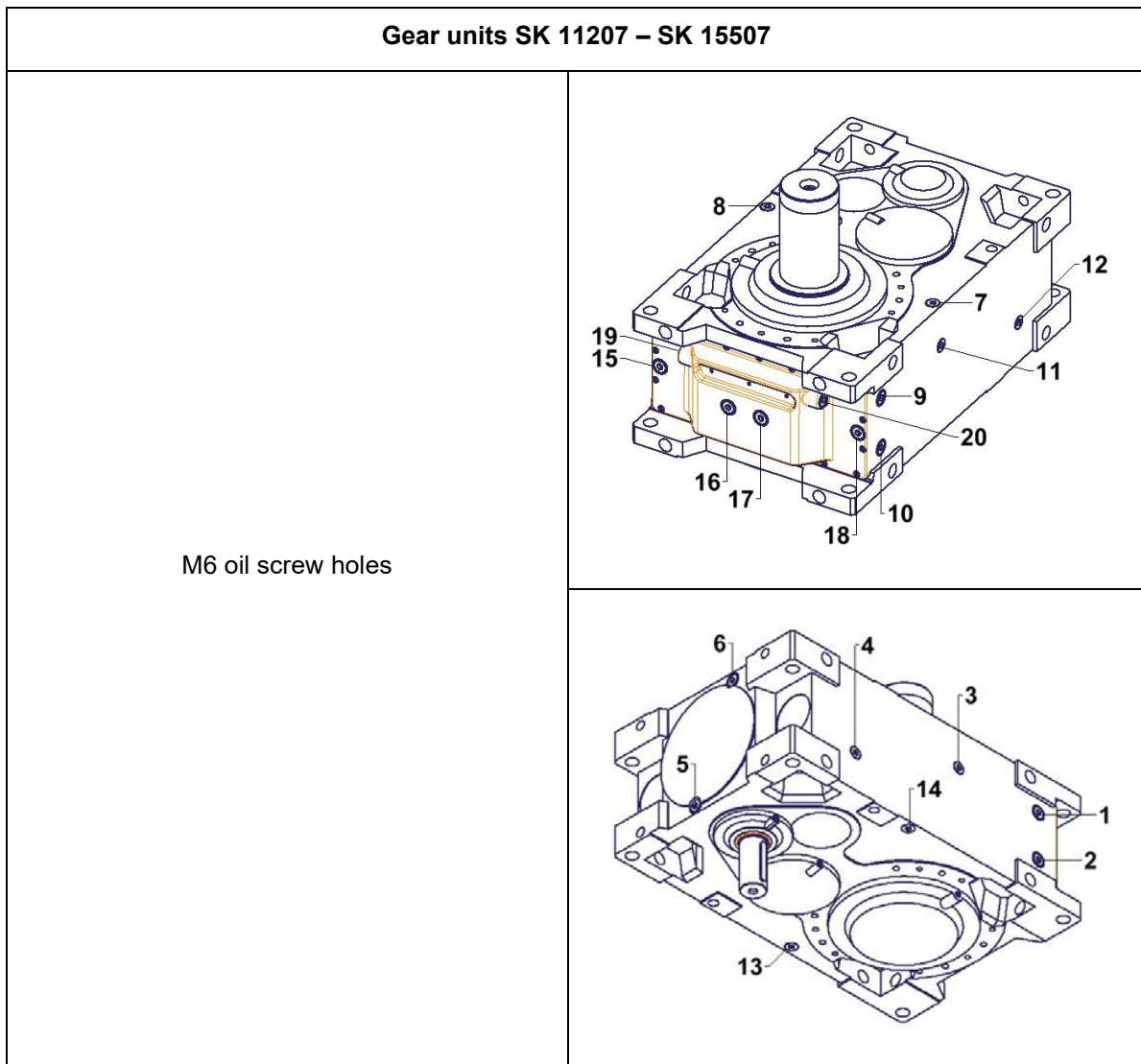
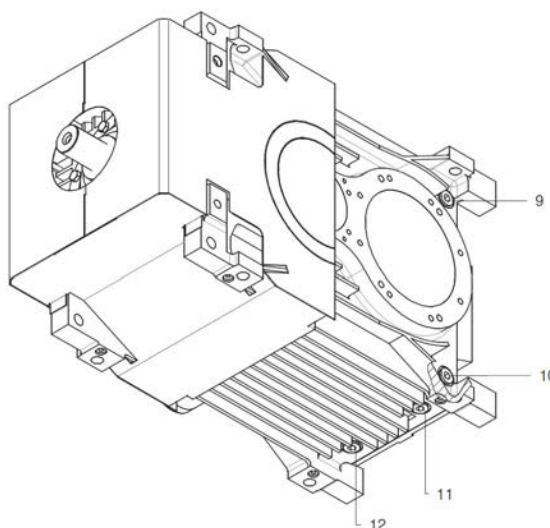
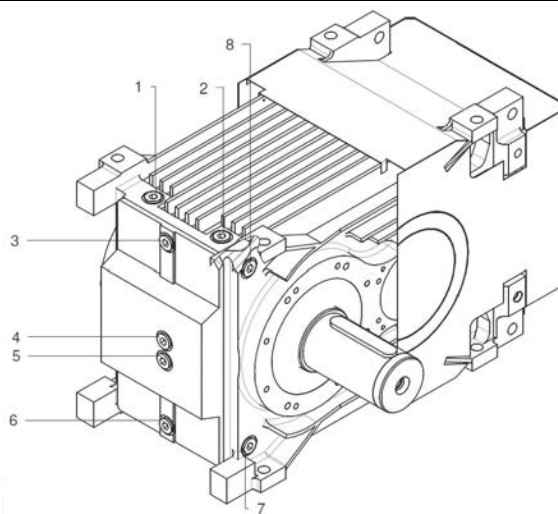


Figure 44: Numbering of oil screw holes on SK 11207 – SK 15507

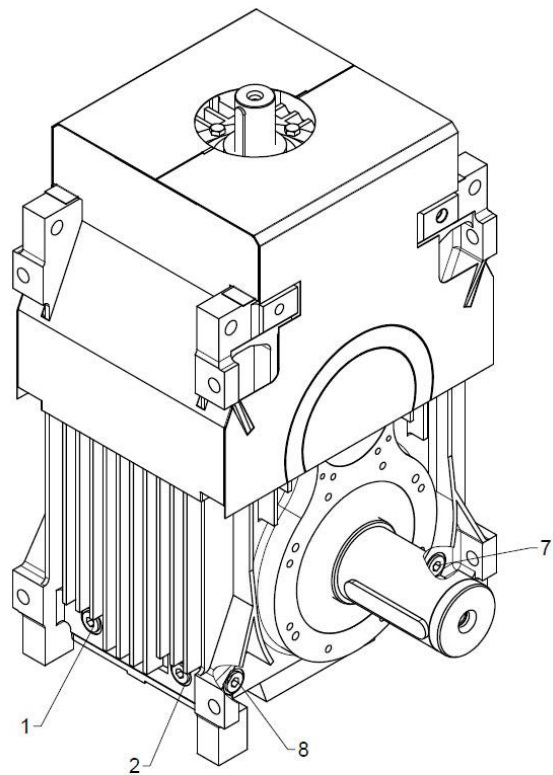
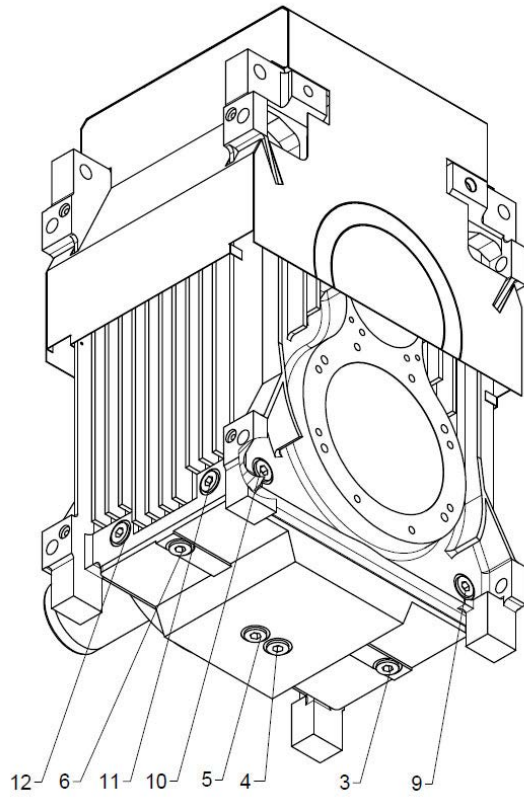
Gear units SK 5217 – SK 11217

M1 oil screw holes



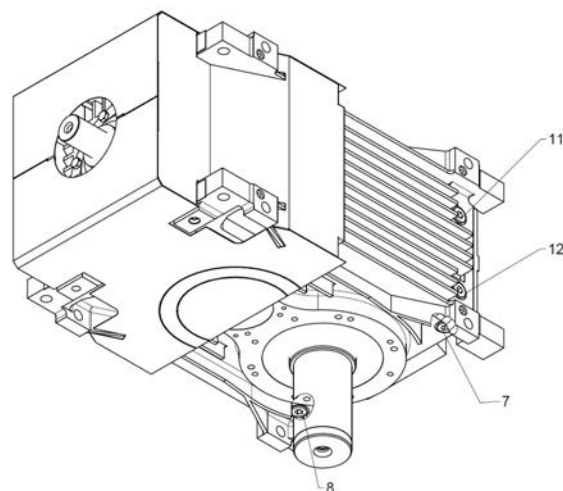
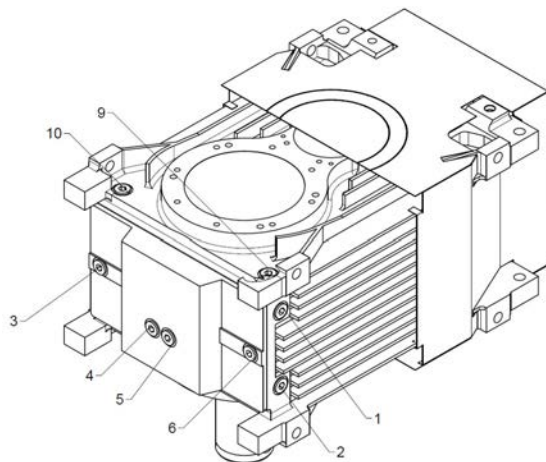
Gear units SK 5217 – SK 11217

M4 oil screw holes



Gear units SK 5217 – SK 11217

M5 oil screw holes



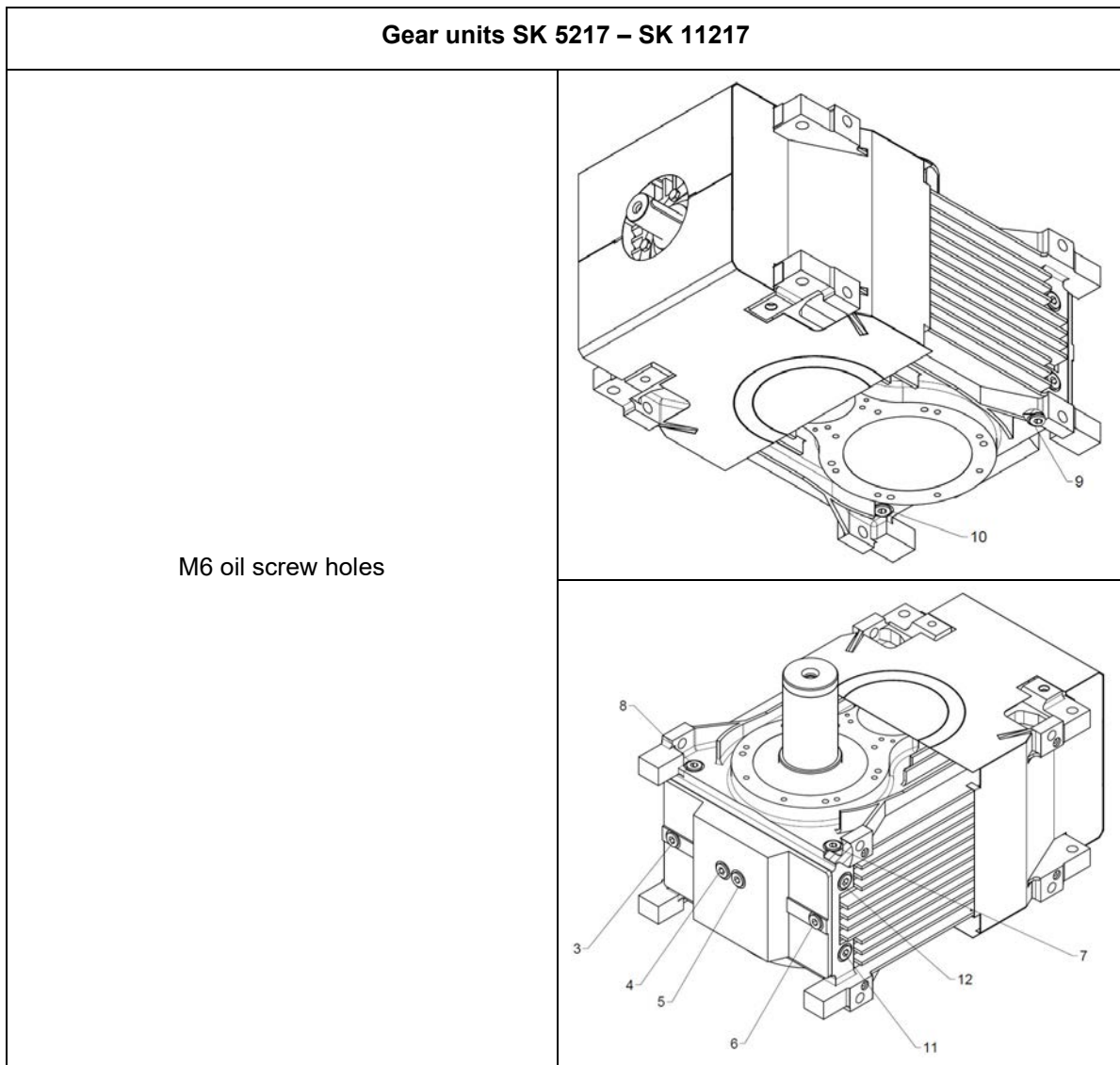


Figure 45: Numbering of oil screw holes on SK 5217 – SK 11217

7.3 Lubricants

7.3.1 Roller bearing greases

This table contains comparable approved roller bearing greases from various manufacturers. The manufacturer can be changed within a lubricant type. Observe the ambient temperature range.

Mixing different greases is not permissible. When changing the grease, different greases of one lubricant type within the relevant ambient temperature range may be mixed in a maximum ratio of 1/20 (5%).

When changing the lubricant type or the ambient temperature range, please consult Getriebebau NORD. Otherwise, no warranty can be accepted for the function of the gear units.





Lubricant type	Ambient temperature				
Grease (mineral oil)	-30...60 °C	Sphereol EPL 2	-	Mobilux EP 2	Gadus S2 V220 2
Grease (PAO)	-25...80 °C	-	PETAMO GHY 133 N	-	-

Table 21: Roller bearing greases

7.3.2 Gear oils

Explosion hazard due to unsuitable oil


Ensure the use of the lubricant type stated on the name plate.

Only the gear oils listed in the following table or, in special cases, the products explicitly stated on the name plate are approved for use.

This table shows comparable approved lubricants from various manufacturers. The oil manufacturer can be changed within a viscosity and lubricant type. Only change the lubricant type or the viscosity after consultation with Getriebebau NORD.

Mixing different oils is not permissible. When changing the gear oil, different oils of one lubricant type with the same viscosity may be mixed in a maximum ratio of 1/20 (5%).






Lubricant type	Details on name plate	DIN (ISO) / Ambient temperature					
Mineral oil	CLP 680	ISO VG 680 0...40 °C	-	-	-	Mobilgear 600 XP 680	Omala S2 GX 680
	CLP 220	ISO VG 220 -10...40 °C	Alpha EP 220 Alpha SP 220	Renolin CLP 220 Renolin CLP 220 VCI	Klübersynth GEM 1-220 N	Mobilgear 600 XP 220	-
	CLP 100	ISO VG 100 -15...25 °C	-	-	Klübersynth GEM 1-100 N	-	-
Synthetic oil (Polyglycol)	CLP PG 680	ISO VG 680 -20...40 °C	-	-	Klübersynth GH 6-680	-	-
	CLP PG 460	ISO VG 460 -25...80 °C	-	-	Klübersynth GH 6-460	-	-
	CLP PG 220	ISO VG 220 -25...80 °C	Optigear Synthetic 1300/220	Renolin PG 220	Klübersynth GH 6-220	-	-
Synthetic oil (hydrocarbons)	CLP HC 460	ISO VG 680 -30...80 °C	-	-	Klübersynth GEM 4-680	Mobil SHC 636	-
	CLP HC 460	ISO VG 460 -30...80 °C	-	-	-	Mobil SHC 634	-
	CLP HC 220	ISO VG 220 -40...80 °C	Alphasyn EP 220	Renolin UNISYSN XT 220 Renolin Unisyn CLP 220 Renolin Unisyn Gear 220 VCI	Klübersynth GEM 4-220 N Klübersynth MEG 4-220	Mobil SHC 630 Mobil SHC Gear 630	Omala S4 GX 220
Bio-degradable oil	CLP E 680	ISO VG 680 -5...40 °C	-	Plantogear 680 S	-	-	-
	CLP E 220	ISO VG 220 -5...40 °C	-	Plantogear 220 S	-	-	-
Food grade oil	CLP PG H1 680	ISO VG 680 -5...40 °C	-	-	Klübersynth UH1 6-680	-	-
	CLP PG H1 220	ISO VG 220 -25...40 °C	-	Cassida Fluid WG 220	Klübersynth UH1 6-220	-	-
	CLP HC H1 220	ISO VG 220 -25...40 °C	-	-	-	Mobil SHC Cibus 220	-

Table 22: Gear oils

The intermediate flange on the auxiliary drive (option WX) contains the same oil as the industrial gear unit.

The auxiliary drive itself (option WX) or the first-stage gear unit (option WG) contains oil according to its own name plate.

For components supplied with the product (e.g. fluid couplings or gear couplings), read the relevant manufacturers' operating instructions.

7.3.3 Minimum starting temperatures

Depending on the type of lubrication, the lubricant class, as well as the ambient temperature and additional heating and cooling methods, minimum requirements for the specific oil must be taken into consideration for selection and commissioning.

During start-up, the viscosity of the gear oil must not be higher than 1800 cSt. The following tables show the minimum permissible ambient temperatures (starting temperatures) for the various oil viscosity classes, so that 1800 cSt is not undershot. If the temperatures are lower, the oil must be heated before starting.

Different conditions apply for external cooling systems (Option CS1-X, CS2-X) (see chapter 4.7 "External cooling system (option CS1-X, CS2-X)").

Lubrication type	Viscosity class (mineral oils)			
	ISO VG 460	ISO VG 320	ISO VG 220	ISO VG 150
Bath lubrication/immersion lubrication	-10 °C	-12 °C	-15 °C	-20 °C
Lubricant circulation/ Pressure lubrication with motor pump	On request	+15 °C	+10 °C	+5 °C
Lubricant circulation/ Pressure lubrication with flange pump	On request	+5 °C	0 °C	-5 °C
External cooling system	On request	+25 °C	+20 °C	On request

Table 23: Minimum starting temperatures for mineral oils (guideline values for the ambient temperature)

Lubrication type	Viscosity class (synthetic oils)			
	ISO VG 460	ISO VG 320	ISO VG 220	ISO VG 150
Bath lubrication/immersion lubrication	-25 °C	-25 °C	-25 °C	-25 °C
Lubricant circulation/ Pressure lubrication with motor pump	On request	+5 °C	0 °C	-5 °C
Lubricant circulation/ Pressure lubrication with flange pump	On request	-5 °C	-10 °C	-15 °C
External cooling system	On request	+15 °C	+10 °C	On request

Table 24: Minimum starting temperatures for synthetic oils (guideline values for the ambient temperature)

Maximum permitted oil temperatures:

- For mineral oil, the maximum permissible oil temperature is 85 °C.
- For synthetic oil, the maximum permissible oil temperature is 105 °C.

7.3.4 Lubricant quantities

The lubricating oil quantity stated on the type plate is a guideline value. The precise quantity varies depending on the exact gear ratio and any options (e.g. OSG, OST, OT).

Ensure that the oil level is correct. Adjust the oil level as necessary (see Section 5.2.6 "Oil level").



Information

After changing the lubricant, and in particular after the initial filling, the oil level may change during the first few hours of operation, as the oil galleries and hollow spaces only fill gradually during operation. Check and, if necessary, correct the oil level after 2 hours of operation.

7.4 Screw tightening torques

Screw tightening torques [Nm]							
Dimensions	Screw fastenings in strength classes				Cap screws	Threaded pin on coupling	Screw fastenings on covers
	8.8	10.9	12.9	V2A-70 V4A-70			
M4	3.2	5	6	2.8	-	-	-
M5	6.4	9	11	5.8	-	2	-
M6	11	16	19	10	-	-	6.4
M8	27	39	46	24	11	10	11
M10	53	78	91	48	11	17	27
M12	92	135	155	83	27	40	53
M16	230	335	390	207	35	-	92
M20	460	660	770	414	-	-	230
M24	790	1150	1300	711	80	-	460
M30	1600	2250	2650	1400	170	-	-
M36	2780	3910	4710	2500	-	-	1600
M42	4470	6290	7540	4025	-	-	-
M48	6140	8640	16610	5525	-	-	-
M56	9840	13850	24130	8860	-	-	-
G½	-	-	-	-	75	-	-
G¾	-	-	-	-	110	-	-
G1	-	-	-	-	190	-	-
G1¼	-	-	-	-	240	-	-
G1½	-	-	-	-	300	-	-

Table 25: Screw tightening torques

7.5 Tolerances for bolting surfaces

For installation on motor swing or motor base frame (Option MS, MF) and for flange screw surfaces (Option: F, FK, KL2, KL3, KL4, VL2, VL3, VL4), a maximum permissible distortion of 0.1 mm at a distance of 1 m must not be exceeded.

7.6 Troubleshooting

DANGER



Explosion hazard

- Shut down the gear unit immediately in case of malfunction.

WARNING

Danger of slipping in case of leaks

- Clean the soiled floor before starting troubleshooting.

Gear unit malfunctions		
Fault	Possible cause	Remedy
Unusual running noises, vibrations	Oil level too low	Correct oil level, Consult NORD Service department
	Bearing damage	Consult NORD Service department
	Gear wheel damage	Consult NORD Service department
	System defective	Check and correct the alignment of drive components, check operating values of the system
Oil leaks from the gear unit	Defective seal	Consult NORD Service department
Oil escaping from pressure vent	Oil level too high	Correct oil level
	Unfavourable operating conditions	Consult NORD Service department
Gear unit becomes too hot	Incorrect oil in the gear unit	Change oil, Thoroughly flush the gear unit inside with fresh oil before filling new oil, Consult NORD Service department
	Incorrect oil level	Correct oil level
	Dirty oil	Replace oil and filter
	Cooling system dirty	Clean cooling system
	Gear unit dirty	Clean gear unit
	Cooling defective	Consult NORD Service department
	Gear unit overloaded	Consult NORD Service department
	Impermissible axial or radial forces	Consult NORD Service department
	Unfavourable installation situation	Consult NORD Service department
Gear unit damage	Consult NORD Service department	

Gear unit malfunctions		
Fault	Possible cause	Remedy
Shock when switching on	Motor coupling defective	Replace coupling
	Motor coupling worn	Replace elastomer ring
	Gear unit fastening loose	Check gear unit and motor fastening
	Rubber element worn	Replace rubber element
Output shaft does not rotate although motor is running	Motor coupling defective	Replace coupling
	Shrink disc slip	Check shrink disc
	Breakage in gear unit	Consult NORD Service department
Cooling system failure	Cooling system defective	Observe the separate operating manual
Pressure at the pressure switch is too low	Pump does not deliver oil	Check pump and replace as necessary
	Leakage	Check piping and replace as necessary

Table 26: Overview of malfunctions

7.7 Leakage and leak-tightness

Gear units are filled with oil or grease to lubricate the moving parts. Seals prevent the escape of lubricants. Full leak-tightness is technically not possible, as a certain film of moisture, for example on the radial shaft seals is normal and advantageous for a long-term sealing effect. In the region of vents, oil moisture may be visible due to the escape of function-related oil mist. In the case of grease-lubricated labyrinth seals such as Taconite sealing systems, the used grease emerges from the sealing gap. This apparent leak is not a fault.

According to the test conditions as per DIN 3761, the leak is determined by the medium to be sealed. In bench tests, it exceeds the function-related moisture on the sealing edge in a defined test period and results in dripping of the medium to be sealed. The measured quantity which is then collected is designated as leakage.

Definition of leakage according to DIN 3761 and its appropriate use					
Term	Explanation	Location of leakage			
		Radial shaft seal	In IEC adapter	Housing joint	Vent
Sealed	No moisture apparent	No fault present			
Damp	Moisture film locally restricted (not an area)	No fault present			
Wet	Moisture film beyond the extent of the component	No fault present		Check, if repair is necessary	No fault present
Measurable leakage	Recognisable stream, dripping	Repair recommended			
Temporary leakage	Temporary malfunction of the sealing system or oil leak due to transport *)	No fault present		Check, if repair is necessary	No fault present
Apparent leakage	Apparent leakage, e.g. due to soiling or sealing systems, which can be re-lubricated	No fault present			

Table 27: Definition of leakage according to DIN 3761

*) Previous experience has shown that moist or wet radial shaft seals stop leaking in the further process. Therefore, under no circumstances can replacement be recommended at this stage. The reason for momentary moisture may be e.g. small particles under the sealing lip.

7.8 Noise emissions

The *measuring surface sound level* to be expected for the gear units according to ISO 8579-1 is below the 50% line stated in the standard.

7.9 Declaration of Conformity

7.9.1 Explosion protected gear units and geared motors, Category 2G and 2D




 GETRIEBEBAU NORD Member of the NORD DRIVESYSTEMS Group								
Getriebebau NORD GmbH & Co. KG <small>Getriebebau-Nord-Str. 1 . 22941 Bargteheide, Germany . Tel.: +49(0)4532 289 - 0 . Fax: +49(0)4532 289 - 2253 . info@nord.com</small>								
EU Declaration of Conformity According to EU directive 2014/34/EU Annex VIII								
<p>Getriebebau NORD GmbH & Co. KG declares in sole responsibility, that the gear units from the following product series Page 1 of 1</p> <p>Industrial gear units type SK 5..07, SK 6..07, SK 7..07, SK 8..07, SK 9..07, SK 10..07, SK 11..07, SK 12..07, SK 13..07, SK 14..07, SK 15..07</p> <p>SK 5..17, SK 6..17, SK 7..17, SK 8..17, SK 9..17, SK 10..17, SK 11..17</p> <p>with ATEX labelling  II 2D / 2G (you can find the specific labelling on the nameplate)</p> <p>comply with the following directive: ATEX directive for products 2014/34/EU (source of information: L 96, 29.03.2014, p. 309-356)</p> <p>Applied harmonized standards:</p> <table style="margin-left: 200px;"> <tr><td>DIN EN 1127-1:</td><td>2019</td></tr> <tr><td>DIN EN ISO 80079-36:</td><td>2016</td></tr> <tr><td>DIN EN ISO 80079-37:</td><td>2016</td></tr> <tr><td>DIN EN 60079-0:</td><td>2018</td></tr> </table> <p>Getriebebau NORD has submitted the documents required as per 2014/34/EU Annex VIII to the notified body:</p> <p style="margin-left: 200px;">DEKRA EXAM GmbH Dinnendahlstraße 9 44809 Bochum ID number: 0158 Certificate: BVS 10 ATEX H/B 017</p> <p>Bargteheide, 15/09/2021</p> <div style="text-align: center;">  Dr. O. Sadi Technical Manager </div>	DIN EN 1127-1:	2019	DIN EN ISO 80079-36:	2016	DIN EN ISO 80079-37:	2016	DIN EN 60079-0:	2018
DIN EN 1127-1:	2019							
DIN EN ISO 80079-36:	2016							
DIN EN ISO 80079-37:	2016							
DIN EN 60079-0:	2018							

Figure 46: Declaration of Conformity for Category 2G / 2D, labelling according to DIN EN ISO 80079-36

7.9.2 Explosion protected gear units and geared motors, Category 3G and 3D




GETRIEBEBAU NORD Member of the NORD DRIVESYSTEMS Group	
Getriebebau NORD GmbH & Co. KG Getriebebau-Nord-Str. 1, 22941 Bargteheide, Germany . Tel.: +49(0)4532 289 - 0 . Fax: +49(0)4532 289 - 2253 . info@nord.com	
EU Declaration of Conformity According to EU directive 2014/34/EU Annex VIII	
Getriebebau NORD GmbH & Co. KG declares in sole responsibility, that the gear units from the following product series Page 1 of 1	
Industrial gear units type SK 5..07, SK 6..07, SK 7..07, SK 8..07, SK 9..07, SK 10..07, SK 11..07, SK 12..07, SK 13..07, SK 14..07, SK 15..07	
SK 5..17, SK 6..17, SK 7..17, SK 8..17, SK 9..17, SK 10..17, SK 11..17	
with ATEX labelling  II 3D / 3G (you can find the specific labelling on the nameplate)	
are compliant with the following directive: ATEX directive for products 2014/34/EU (source of information: L 96, 29.03.2014, p. 309-356)	
Applied standards:	
	DIN EN 1127-1: 2019 DIN EN ISO 80079-36: 2016 DIN EN ISO 80079-37: 2016 DIN EN 60079-0: 2018
Bargteheide, 15/09/2021	
 Dr. O. Sadi Technical Manager	

Figure 47: Declaration of Conformity for Category 3G / 3D, labelling according to DIN EN ISO 80079-36

7.10 Repair information

For enquiries to our technical and mechanical service department, please have the exact gear unit type and, if applicable, the order number to hand. You can find this information on the name plate.

7.10.1 Repairs

In case of repair, remove all non-original parts from the gear unit or geared motor. No guarantee can be given for any attached parts, such as rotary encoders or external fans.

Send the device to the following address:

Getriebebau NORD GmbH & Co. KG
Serviceabteilung
 Getriebebau-Nord-Straße 1
 22941 Bargteheide

Information

If possible, state the reason for returning the component/device. Specify a contact person for queries. This is important in order to keep repair times as short as possible.

7.10.2 Internet information

In addition, you will find the manuals in the available languages on our website: www.nord.com.

7.11 Warranty

NORD GmbH & Co. KG accepts no liability for damage to persons, materials or assets as a result of failure to observe this operating manual, operating errors or incorrect use. General wearing parts, e.g. radial seals are excluded from the warranty.

7.12 Abbreviations

2D	Dust explosion-proof gear units, Zone 21	F_R	Radial force
2G	Gas explosion-proof gear units, Zone 1	F_A	Axial force
3D	Dust explosion-proof gear units, Zone 22	H1	Lubricant for the food industry
ATEX	AT Mosphères EX plosible	IE1	Standard efficiency motors
B5	Flange fastening with through holes	IE2	High efficiency motors
B14	Flange fastening with threaded holes	IEC	International Electrotechnical Commission
CLP	Mineral oil	NEMA	National Electrical Manufacturers Association
CLP HC	Synthetic polyalphaolefin oil	IP55	International protection
CLP PG	Synthetic polyglycol oil	ISO	International standardisation organisation
cSt	Centistokes	pH	pH value
CW	Clockwise, right rotation	PPE	Personal Protective Equipment
CCW	Counter-clockwise, left rotation	DIR	Directive
°dH	Water hardness in German hardness degrees 1 dH = 0.1783 mmol/l	UKCA	UK Conformity Assessed
DIN	Deutsches Institut für Normung [<i>German Institute for Standardisation</i>]	VCI	Volatile Corrosion Inhibitor
E	Ester oil	VG	Viscosity group
EC	European Community	WN	Document from Getriebebau NORD
EN	European standard		

Key word index

A		H	
Address.....	125	Heat exchanger.....	81
Agitator version.....	32, 91	Hose lines	86
Ambient temperature	118	I	
Attachment adapter	81	Installation.....	36
Auxiliary drive unit	30	Intended use	14
B		Internet.....	125
Back stop.....	70	Introduction of forces	38
Auxiliary drive unit.....	70	L	
C		Leak indicator.....	84
Cellulose filter	88	Leakage	122
Checking the version	35	Lift-off speed	70
Checklist	75	Long-term storage.....	34
Circulation lubrication	59	Lubricant circulation.....	65
Cooling coil	67, 87	Lubricant quantities.....	116, 119
Cooling system, internal	55	Lubricants	116
Cover cap	81	M	
Covers	50	Maintenance	125
D		Maintenance intervals.....	77
Disposal of materials	96	Maintenance work	
Dog coupling.....	53, 54	Check for running noises	80
Drying agent filter	88	Leaks	80
Dust	86	Radial shaft seal.....	90
E		Visual inspection	80
External cooling system.....	57, 68	Minimum starting temperature	118
F		Motor adapters.....	29
Fan.....	66, 81	Motor base frame (Option: MF)	48
Fault.....	120	Motor swing base.....	33
First stage gear unit.....	30	Motor swing base (Option: MS)	49
Fixing element	40	N	
Flange mounted version		Name plate.....	25
Flange	45	Noise emission.....	122
G		Noise level	122
Gear unit monitoring	92	O	
Gear unit types	20	Oil change.....	86
		General overhaul	94

Oil dip-stick	83	Sensors	59
Oil drain	63, 98	Service	125
Oil filter.....	86	Service intervals.....	77
Oil heater	62	Shrink disc	42
Oil inspection glass.....	83	Sound emission	122
Oil level	63, 81, 98	Sound level	122
Oil level glass	83	Standard gear units.....	28
Oil level indicator	83	T	
Oil level screw	82	Temperature monitoring.....	69
Oil reservoir tank	84	Temperature sticker	59
Operating time	94	Test run	74
Options	23	Tightening torques	119
P		Tolerances	120
Piping.....	86	Torque arm	60
Pressure venting.....	90	Torque support.....	85
Pulling device	38	Transport.....	18, 27
R		True Drywell.....	47
Radial shaft seal	90	Turbo coupling	53
Re-grease the bearings	91	V	
Repairs	125	V-belt drives	31
Roller bearing greases	116	Vent.....	63, 88, 98
Running noises.....	80	Ventilation	88
S		Ventilation filter	88
Safety information.....	14	Visual inspection	80
SAFOMI	36, 50, 53, 85		

Headquarters
Getriebebau NORD GmbH & Co. KG
Getriebebau-Nord-Str. 1
22941 Bargteheide, Deutschland
T: +49 45 32 / 289 0
F: +49 45 32 / 289 22 53
info@nord.com