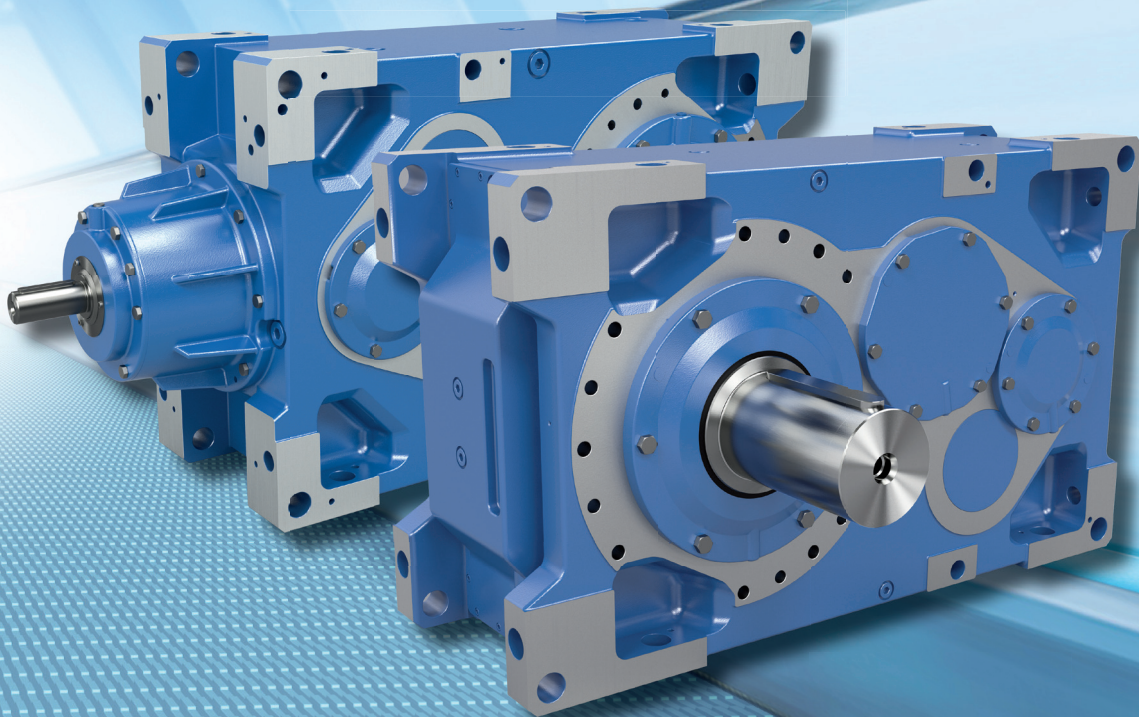


Intelligent Drivesystems, Worldwide Services



# MAXXDRIVE™ Large Industrial Gear Units

## Parallel-Axis and Right-Angle

High Precision, Long Life, Low Maintenance

EN-US

**PRODUCT OVERVIEW**

**G1050 · 50/60 Hz · mm**

**SK 5207 - SK 15507 Gear Units**

  
**DRIVESYSTEMS**



## Spanning the globe To serve you

Since 1965, NORD has become well established in the power transmission industry and grown to global proportions on the strength of product performance, superior customer service and intelligent drive solutions. NORD is constantly improving and expanding its products to meet a never-ending variety of industrial challenges.

NORD designs and manufactures drive systems engineered for adaptability. NORD's innovative drive solutions are specified and utilized for a range of applications in nearly every industry throughout the world.

NORD Drivesystems' product portfolio is extensive and continuously evolving in order to meet the needs of today's fast-changing markets. NORD's range of drive equipment includes: helical in-line, helical shaft-mount, helical-bevel, helical-worm and worm gear units with torques from 90 lb-in to 2,200,000 lb-in, readily available AC motors and from 1/6 HP to 250 HP, variable frequency drives up to 250 HP, and mechanical variable speed drives.

But NORD does far more than manufacture the world's finest drive components. We provide our customers with optimum drive configurations for their specific purposes, providing each and every one with truly complete and efficient systems at a price/quality ratio unmatched in today's competitive markets.

NORD makes its wide product range easily available through a global network that includes representation in over 52 countries. By providing all of our customers with prompt delivery, and expert support services, we are firmly committed to exceeding customer expectations and being responsive to the ideas and specifications of every customer, anywhere in the world.

## NORD DRIVESYSTEMS Group



### HEADQUARTERS AND TECHNOLOGY CENTRE

- in Bargteheide, close to Hamburg

Industrial gear units	Gear unit motors	Electronic products
-----------------------	------------------	---------------------



Frequency inverters, motor starters and field distributors



Gear unit production

Motor production

Inverter production

### INNOVATIVE DRIVE SOLUTIONS

- for more than 100 branches of industrial

### 7 PRODUCTION LOCATIONS WITH CUTTING EDGE TECHNOLOGY

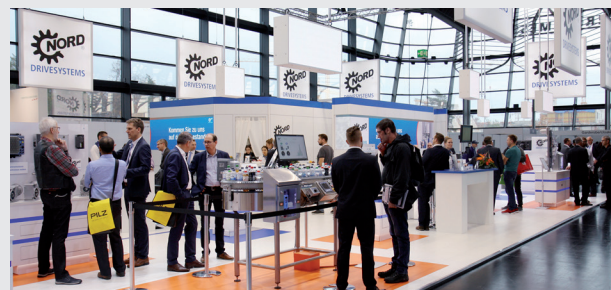
- produce gear units, motors and inverters also for complete drive solutions from a single source



The above map image is for information purpose and may not have been prepared or be suitable for legal purpose and we do not own any responsibility for correctness or authenticity of the same.

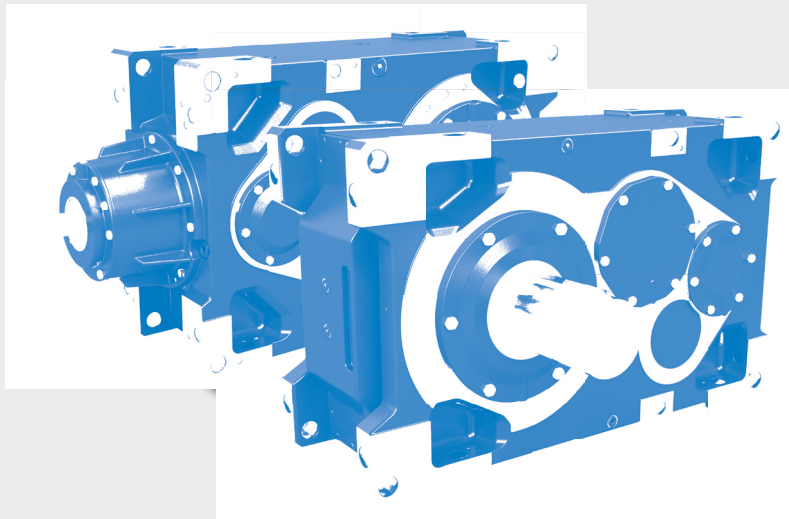
### SUBSIDIARIES AND SALES PARTNERS IN 98 COUNTRIES ON 5 CONTINENTS

- provide local stocks
- assembly centres
- technical support and
- customer service



### MORE THAN 4,000 EMPLOYEES THROUGHOUT THE WORLD

- create customised oriented solutions



## **NORD Parallel & Right-Angle Large Industrial Gear Units**

The NORD large industrial gear units offer a unique combination of flexibility and durability for the most demanding high-torque applications. Available in both a parallel-shaft design and right-angle design with a spiral-bevel input. Very high ratios are possible in the form of a compound unit by combining these units with NORD's Clincher™ or Helical-Bevel series.

Gearing and shafting are designed in accordance to international standards and the case carburized and hard finished gears are manufactured to the highest quality. Only industry recognized anti-friction roller bearings are used to provide exceptional bearing life. These units also offer flexible design alternatives by providing a full complement of input, mounting, output shaft, output shaft sealing, and thermal control options.

Optimized geometries and precise shaft alignment provide excellent load-bearing capacity, long operating life, insignificant operating noise as well as lubrication system integrity.

## **Features and Benefits**

- Optimum sealing
- Quiet running
- High torque capacity
- Increased lubricant life
- High reliability
- Maximized operating life of bearings and gears
- Symmetrical design
- Flexible mounting
- Long operating life
- Mirror-image installation possible
- Fast configuration
- Standard B14 flange on output
- Same housing size & dimensions for 2 or 3-stage units
- Short delivery times

# Content

## Catalogue G1050 • 50/60 Hz

### PRODUCTS AND CATALOGUES OVERVIEW

#### MAXXDRIVE™ KEY FEATURES

MAXXDRIVE™ Housings . . . . .	6
Advantages of UNICASE™ Housings . . . . .	6
FEM (Finite Element Modeling) Analysis . . . . .	6
Gear, Bearing and Shaft Standards . . . . .	6
Temperature Management . . . . .	7
Lubrication Overview . . . . .	7
Sealing systems . . . . .	8
Design Advantages . . . . .	8
Sound Pressure Levels . . . . .	8

#### ENGINEERING

General Warnings & Cautions . . . . .	10
Industrial Gear Unit Selection . . . . .	13
Gear Unit Selection Procedures . . . . .	17
Radial & Axial Load Information . . . . .	28
Gear Unit Selection Factors . . . . .	30
Service Factor Tables . . . . .	32
Nomenclature Examples . . . . .	36
Mounting Configuration . . . . .	37
Rotation Direction . . . . .	41
Available Coupling and Sealing Types . . . . .	43
Lubrication . . . . .	44
Oil & Drain Plug Locations . . . . .	49
Oil Fill Quantities . . . . .	50
Weights . . . . .	52
Reducer Tolerance Information . . . . .	56

#### OPTIONS

Option Overview List . . . . .	58
Option Example Images . . . . .	60
Shaft Options . . . . .	64
Gear Unit Options . . . . .	70
Thermal Options . . . . .	80
Grain Endurance Package Option . . . . .	86

#### PARALLEL RATINGS

Ratings Tables Overview . . . . .	88
Nominal Power Ratings . . . . .	90
Nominal Output Torques . . . . .	94
Moment of Inertia Values . . . . .	95
Exact Ratios . . . . .	96
Thermal Ratings - M1/M3 Mounting - 1000 rpm @ 20° C . . . . .	98
Thermal Ratings - M1/M3 Mounting - 1000 rpm @ 40° C . . . . .	100
Thermal Ratings - M1/M3 Mounting - 1200 rpm @ 20° C . . . . .	102
Thermal Ratings - M1/M3 Mounting - 1200 rpm @ 40° C . . . . .	104
Thermal Ratings - M1/M3 Mounting - 1500 rpm @ 20° C . . . . .	106
Thermal Ratings - M1/M3 Mounting - 1500 rpm @ 40° C . . . . .	108
Thermal Ratings - M1/M3 Mounting - 1800 rpm @ 20° C . . . . .	110
Thermal Ratings - M1/M3 Mounting - 1800 rpm @ 40° C . . . . .	112
Thermal Ratings - M5 Mounting - 1000 rpm @ 20° C . . . . .	114
Thermal Ratings - M5 Mounting - 1000 rpm @ 40° C . . . . .	116
Thermal Ratings - M5 Mounting - 1200 rpm @ 20° C . . . . .	118
Thermal Ratings - M5 Mounting - 1200 rpm @ 40° C . . . . .	120
Thermal Ratings - M5 Mounting - 1500 rpm @ 20° C . . . . .	122
Thermal Ratings - M5 Mounting - 1500 rpm @ 40° C . . . . .	124
Thermal Ratings - M5 Mounting - 1800 rpm @ 20° C . . . . .	126
Thermal Ratings - M5 Mounting - 1800 rpm @ 40° C . . . . .	128

## PARALLEL DIMENSIONS

Housing Dimensional Overview	132
Shaft Size Dimension Overview	133
SK 5207 / 5307 Dimensions	134
SK 6207 / 6307 Dimensions	136
SK 7207 / 7307 Dimensions	138
SK 8207 / 8307 Dimensions	140
SK 9207 / 9307 Dimensions	142
SK 10207 / 10307 Dimensions	144
SK 11207 / 11307 Dimensions	146
SK 12207 / 12307 Dimensions	148
SK 13207 / 13307 Dimensions	150
SK 14207 / 14307 Dimensions	152
SK 15207 / 15307 Dimensions	154
Optional Shaft Dimensions	156
Accessory Option Dimensions	159

## RIGHT-ANGLE RATINGS

Ratings Tables Overview	176
Nominal Power Ratings	178
Nominal Output Torques	182
Moment of Inertia Values	183
Exact Ratios	184
Thermal Ratings - M1/M3 Mounting - 1000 rpm @ 20° C	186
Thermal Ratings - M1/M3 Mounting - 1000 rpm @ 40° C	188
Thermal Ratings - M1/M3 Mounting - 1200 rpm @ 20° C	190
Thermal Ratings - M1/M3 Mounting - 1200 rpm @ 40° C	192
Thermal Ratings - M1/M3 Mounting - 1500 rpm @ 20° C	194
Thermal Ratings - M1/M3 Mounting - 1500 rpm @ 40° C	196
Thermal Ratings - M1/M3 Mounting - 1800 rpm @ 20° C	198
Thermal Ratings - M1/M3 Mounting - 1800 rpm @ 40° C	200
Thermal Ratings - M5 Mounting - 1000 rpm @ 20° C	202
Thermal Ratings - M5 Mounting - 1000 rpm @ 40° C	204
Thermal Ratings - M5 Mounting - 1200 rpm @ 20° C	206
Thermal Ratings - M5 Mounting - 1200 rpm @ 40° C	208
Thermal Ratings - M5 Mounting - 1500 rpm @ 20° C	210
Thermal Ratings - M5 Mounting - 1500 rpm @ 40° C	212
Thermal Ratings - M5 Mounting - 1800 rpm @ 20° C	214
Thermal Ratings - M5 Mounting - 1800 rpm @ 40° C	216

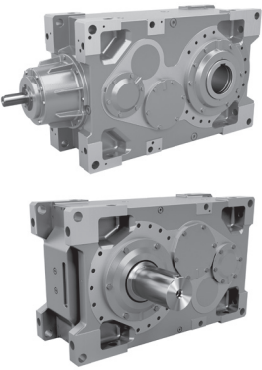
## RIGHT-ANGLE DIMENSIONS

Housing Dimensional Overview	220
Shaft Size Dimension Overview	221
SK 5407 / 5507 Dimensions	222
SK 6407 / 6507 Dimensions	224
SK 7407 / 7507 Dimensions	226
SK 8407 / 8507 Dimensions	228
SK 9407 / 9507 Dimensions	230
SK 10407 / 10507 Dimensions	232
SK 11407 / 11507 Dimensions	234
SK 12407 / 12507 Dimensions	236
SK 13407 / 13507 Dimensions	238
SK 14407 / 14507 Dimensions	240
SK 15407 / 15507 Dimensions	242
Optional Shaft Dimensions	244
Accessory Option Dimensions	247

## SWINGBASE DIMENSIONS

SK ..407 / ..507 MSK Dimensions	264
SK ..407 / ..507 MSKB Dimensions	266
SK ..407 / ..507 MST Dimensions	268
SK ..407 / ..507 MSTB Dimensions	270
SK ..407 / ..507 MFK Dimensions	272
SK ..407 / ..507 MFKB Dimensions	274
SK ..407 / ..507 MFT Dimensions	276
SK ..407 / ..507 MFTB Dimensions	278

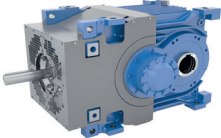
**Industrial gear units (G1050)**



- All bearing points and sealing surfaces are machined in one operation
- No separating joints in the housing, no sealing surfaces subject to torque
- High-precision axis alignment, quiet running
- Long life, low maintenance
- Gear ratios from 5.54 bis 400:1 with the same foot dimensions
- Parallel & Right-Angled units

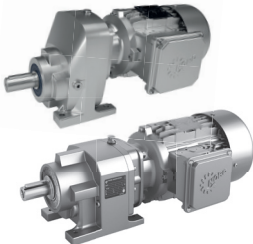
Sizes	11
kW	1.5 - 4,000
kNm	up to 280
i	5.6 - 30,000:1

**MAXXDRIVE® XT Industrial gear units (TI60-0001)**



Sizes	7
kW	1.5 – 1,500
kNm	15/20/25/30/40/50/75
i	6.14:1 – 22.91:1

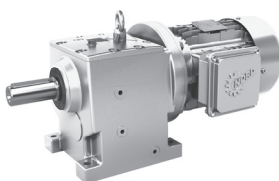
**NORDBLOC.1 Helical gear units (G1000)**



- Foot or flange mounted
- Die-cast aluminium housing (5 sizes)
- UNICASE housing
- Dimensions compliant with industrial standards

Sizes	13
kW	0.12 – 37
Nm	55 – 3,300
i	1.07:1 – 456.77:1


**Helical gear units (G1000)**



- Foot or flange mounted
- Long life, low maintenance
- Optimal sealing
- UNICASE housing

Sizes	11
kW	0.12 – 160
Nm	10 – 26,000
i	1.35:1 - 14,340.31:1

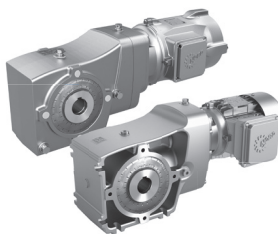
**Parallel shaft gear units (G1000)**



- Shaft, foot or flange mounted
- Hollow or solid shaft
- Compact design
- UNICASE housing

Sizes	15
kW	0.12 – 200
Nm	110 - 100 000
i	4.03:1 – 6,616.79:1


**NORDBLOC.1 2-stage bevel gear units (G1014, G1000)**



- Up to 97 % efficiency
- Shaft, foot or flange mounted
- Hollow or solid shaft
- UNICASE housing

Sizes	5
kW	0.12 – 9.2
Nm	50 – 660
i	3.03:1 - 70:1


**Bevel gear units (G1000)**



- Up to 95 % efficiency
- Shaft, foot or flange mounted
- Hollow or solid shaft
- UNICASE housing

Sizes	11
kW	0.12 – 200
Nm	180 – 50.000
i	8.04:1 – 13,432.68:1

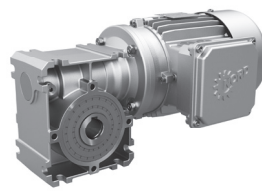
**Helical worm gear units (G1000)**



- Shaft, foot or flange mounted
- Hollow or solid shaft
- UNICASE housing

Sizes	6
kW	0.12 – 15
Nm	94 - 3058
i	4.40:1 – 7,095.12:1

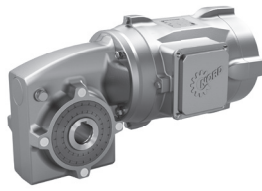
**UNIVERSAL SI worm gear units (G1035)**



- Modular
- Universal mounting
- Lifetime lubrication
- IEC versions

Sizes	5
kW	0.12 – 4.0
Nm	21 – 427
i	5.00:1 – 3,000.00:1


**SMI worm gear units (G1035)**



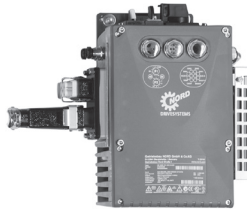
- Smooth surfaces
- Lifetime lubrication
- IEC versions

Sizes	5
kW	0.12 – 4.0
Nm	21 – 427
i	5.00:1 – 3,000.00:1


## Centralized frequency inverter SK 500E (F3050)

	<ul style="list-style-type: none"> <li>Energy-saving function</li> <li>Integrated „Posicon“ positioning control</li> <li>Plug-in modules for control and communication (field bus)</li> </ul>
	Sizes   11
	U [V]   1 ~ 115V 1 ~ 230V 3 ~ 230V 3 ~ 400V
	P [kW]   0.25 - 160


## Decentralized frequency inverter SK 200E (F3020)

	<ul style="list-style-type: none"> <li>Energy-saving function</li> <li>Integrated „Posicon“ positioning control</li> </ul>
	Sizes   4
	U [V]   1 ~ 115V 1 ~ 230V 3 ~ 230V 3 ~ 400V
	P [kW]   0.25 - 22



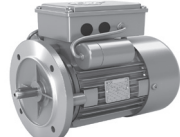

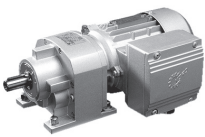

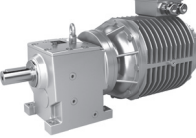




## Decentralized frequency inverter SK 180E (F3018)

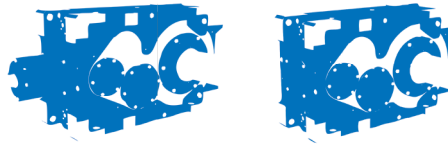
	<ul style="list-style-type: none"> <li>Stand-alone-operation</li> <li>4 parameter sets (can be switched online)</li> <li>Sensorless current vector control (ISD control)</li> </ul>
	Sizes   2
	U [V]   1 ~ 115V 1 ~ 230V 3 ~ 230V 3 ~ 400V
	P [kW]   0.25 - 2.2

## Motor starter SK 135E (F3015)

	<ul style="list-style-type: none"> <li>Integrated electronic brake rectifier</li> <li>Consistent parameter structure</li> <li>Reversing starter with soft start function</li> </ul>
	Sizes   2
	U [V]   3 ~ 230V 3 ~ 400V
	P [kW]   0.12 – 4kW 0.25 – 7.5kW

## Motors (M7000)

1  <b>Energy-saving</b>	2  <b>Switchable Pole</b>
3  <b>Single-Phase</b>	4  <b>Smooth Surface</b>
5  <b>Explosion Protection Gas-Environment</b>	6  <b>Explosion Protection Dust-Environment</b>
7  <b>Ringfin or Ribbed Motors</b>	   



## MAXXDRIVE™ Housings

NORD DRIVESYSTEMS large industrial gear units have been developed according to the well-proven UNICASE™ housing design in which all bearings and seals are contained within a single casting. The UNICASE™ concept was pioneered by NORD DRIVESYSTEMS Gear in 1980 and features the highest levels of precision, rigidity and strength by eliminating splits and bolt on carriers. There are no separations in the housing which are subjected to torques or radial loads.

The UNICASE™ principle enables a more compact design that includes larger roller bearings, which guarantee a prolonged operating life. Ease of service to the gear unit is ensured by a large assembly cover over the face plate of the gear unit.

Our UNICASE™ housings are made of cast iron. Ductile iron may be supplied upon request.

Optimized geometries and precise shaft alignment are a result of the UNICASE™ style housing and provide excellent load-bearing capacity, long operating life, insignificant noise levels as well as provide the highest level of system lubrication integrity.

### Advantages of UNICASE™ Housings

- ✓ Optimum sealing
- ✓ Quiet running
- ✓ High torque capacity
- ✓ Increased operating life of bearings & gears
- ✓ High reliability
- ✓ Prolonged operating life
- ✓ Increased lubricant life
- ✓ Symmetrical design
- ✓ A B14 face flange on the output side
- ✓ Mounting pads on all 6 sides
- ✓ Mirror-image installation possible
- ✓ Same housing size, installation dimensions for all ratios (2 & 3 stage)

## FEM (Finite Element Modeling) Analysis

The MAXXDRIVE™ design process included using state-of-the-art Finite Element Modeling as a key design tool. This allowed optimal structural design to maximize the strength & rigidity of the gearbox and its components.

## Gear, Bearing and Shaft Standards

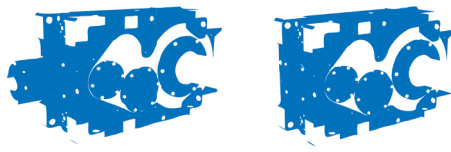
All of the gears in the NORD MAXXDRIVE™ product line are keyed to provide a positive connection. These gears are additionally mounted with a press-fit between the shaft and gear hub.

The gears included in our MAXXDRIVE™ line are made of high caliber alloy steels and are case hardened. The nominal torque ratings and speeds (calculated according to ISO 6336) are available in the ratings sections of this catalog.

All NORD DRIVESYSTEMS gear units provide the very highest level of quality, safety and reliability. The gearing, bearing and shaft capacities are calculated according to international standards.

The gears and bearings are designed to be partially submerged in oil during operation. Pressure circulation lubrication is available as an option in the form of a motor or a shaft driven pump. In addition to this option there are many other alternative oil circulation and cooling methods available for the MAXXDRIVE™ product line.





## Temperature Management

Please refer to the options section on page ⇨  57 for more information on the following available cooling system options:

### Available Temperature Management Options

- |   |  |
|---|--|
| <input checked="" type="checkbox"/> Fan, 3 options            | <input checked="" type="checkbox"/> Internal cooling coils (water) |
| <input checked="" type="checkbox"/> External oil/air cooler   | <input checked="" type="checkbox"/> Heating cartridges             |
| <input checked="" type="checkbox"/> External oil/water cooler |  |

## Lubrication Overview

Proper gearbox lubrication is essential in order to reduce friction, heat, and component wear. Lubricants reduce heat and wear by inserting a protective “fluid boundary” between mating parts and preventing direct metal to metal contact. Lubricants also help prevent corrosion and oxidation, minimize foam, improve heat transfer, optimize reducer efficiency, absorb shock loads and reduce noise.

MAXXDRIVE™ gear units that are mounted in a standard horizontal position are intended to be oil splash lubricated. MAXXDRIVE™ gear units mounted in a vertical or standing position utilize bath or immersion lubrication to ensure oil is delivered to the critical bearing and gear mesh areas. Forced lubrication or pressure lubrication is also an option.

In all cases, the option DRY requires pressure circulation lubrication for gear unit sizes SK 11.07 - SK 15.07 for lubrication of the upper bearings. In the small sizes SK 5.07 and SK 10.07 these bearings are lubricated with grease, which enables economical injection lubrication even in the M5 position with the DRY option.

The MAXXDRIVE™ gear units are designed to be able to operate with high performance mineral oil containing an extreme pressure (EP) additive. A viscosity grade ISO VG220 EP (AGMA 5 EP) mineral oil is typical for ambient temperature conditions between 0°C-40°C (32°F-104°F).

While the MAXXDRIVE™ gear units are designed to be able to operate with high performance mineral oil, NORD DRIVESYSTEMS strongly recommends the use of synthetic oil. Compared to mineral oil, synthetic oil offers the following advantages that provided added wear protection and extend reducer component life:

- Higher film strength, lower traction coefficient and improved lubricity.
- Reduced internal friction (by as much as ½ compared to mineral oil) resulting in lower operating temperatures and improved gear efficiency.
- Superior wear and thermo-oxidative resistance, provides enhanced system cleanliness and enables longer service intervals.
- Higher viscosity index offers improved low temperature and high temperature stability.

Additional lubrication guidelines can be found on page ⇨  44 of this catalog as well as in the MAXXDRIVE™ maintenance instructions ([www.NORD.com](http://www.NORD.com)).

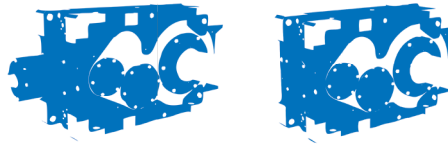
## Durable and Flexible

The MAXXDRIVE™ large industrial speed reducers offer a unique combination of flexibility and durability. The drives are extremely versatile in terms of mounting configurations. They employ a “universal” housing design with mounting surfaces on all six sides. The same housing is used for both our off-set parallel and right-angle drives.

## Explosion protection according to ATEX



NORD DRIVESYSTEMS gear units in modified design and certified according to equipment directive 214/34/EU are available on request for the categories 2 + 3.



## Sealing systems

The standard shaft seals that are provided are nitrile rubber NBR (Buna-N), and optionally FKM (Fluroelastomers). For specific ambient conditions, sealing systems incorporating gamma-ring, labyrinth and Taconite seals are also available. In case other specialized sealing requirements are needed please contact NORD DRIVESYSTEMS Gear.

### Available sealing options

- Single input seal NBR/FKM
- Double output seal NBR/FKM
- Gamma ring seal, dust protection
- Taconite seal (re-greasable labyrinth seal)
- Cartridge Seal
- Special sealing options by request

## Design Advantages

There are countless advantages for using NORD MAXXDRIVE™ gear units for your large industrial gearbox needs. Here is an overview of some of the significant advantages that this product has to offer.

- Heavy duty design
- Competitive features/construction
- High power density
- Modular & Flexible Design
- Increased bearing life compared to split case housings (due to larger bearings)
- Quiet running - optimized bevel gears
- Large motor combinations possible
- One piece housing, which provides higher stiffness than split-case design
- Efficient fan cooling (optimized air flow over gearcase surfaces)
- Increased accessory life due to the use of synthetic lubricants
- Gears - case hardened and ground
- Antifriction - high quality bearings

## Sound Pressure Levels

The surface sound pressure levels according to ISO 8579-1 of MAXXDRIVE gearboxes are below the 50% - line given in the standard.



# Engineering

---

<b>General Warnings &amp; Cautions</b> .....	<b>10</b>
<b>Industrial Gear Unit Selection</b> .....	<b>13</b>
<b>Gear Unit Selection Procedures</b> .....	<b>17</b>
<b>Radial &amp; Axial Load Information</b> .....	<b>28</b>
<b>Gear Unit Selection Factors</b> .....	<b>30</b>
<b>Service Factor Tables</b> .....	<b>32</b>
<b>Nomenclature Examples</b> .....	<b>36</b>
<b>Mounting Configuration</b> .....	<b>37</b>
<b>Rotation Direction</b> .....	<b>41</b>
<b>Available Coupling and Sealing Types</b> .....	<b>43</b>
<b>Lubrication</b> .....	<b>44</b>
<b>Oil &amp; Drain Plug Locations</b> .....	<b>49</b>
<b>Oil Fill Quantities</b> .....	<b>50</b>
<b>Weights</b> .....	<b>52</b>
<b>Reducer Tolerance Information</b> .....	<b>56</b>





## Vertical Mounting Position

The thermal power limits for vertical output-shaft mounting position (M5 or M6) are shown in the respective ratings sections on pages ⇒ 98 - 129 for Parallel units and on pages ⇒ 186 - 217 for Right-Angle units.

Consult NORD DRIVESYSTEMS for determination of the thermal power limits if either the parallel shaft or bevel gear reducer is to be mounted in upright or standing mounting position (M2 or M4).

The mounting positions are displayed on page ⇒ 37 - 38.

	<b>IMPORTANT NOTE</b>	
<p>In standing position or vertical-shaft applications a higher operating temperature rise may result due to the higher oil volumes which create greater oil churning losses. In many instances, NORD DRIVESYSTEMS may be able to recommend a forced oil lubrication system in order to avoid these higher operating temperature conditions.</p>		

## Vertical Motor or Vertical Input Shaft

Parallel-shaft gear units with a motor or input shaft which is pointing vertical-up (M5 or M6 mounting position) require either a higher oil level to lubricate the high-end bearings and gearing or they will require a forced oil lubrication system.

Raising the oil level will result in increased oil churning or splashing losses and additional heating inside the gear unit. To avoid excessive pressure build-up, a critical loss in oil volume through the air vent or shaft seals and possible oil foaming, NORD DRIVESYSTEMS may need to recommend adding an oil tank (Option OT). For details on the OT options see page ⇒ 80.

Alternatively NORD may suggest maintaining a lower oil level and adding a forced lubrication. This will assure lubrication to all the critical gear and bearing areas and also allow the gear unit to operate at lower oil sump temperatures. Consult NORD DRIVESYSTEMS for details.

## Ventilation

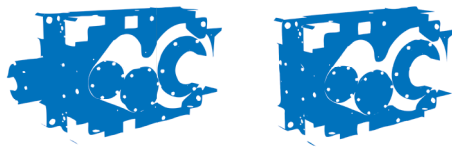
All gear units include a breather for the differences in air pressure between the interior of the gear unit and its environment.

## Overload Conditions

Loads that exceed the gearbox ratings are considered overloads. An overload may either be momentary or periodic in duration, as well as quasi-steady or vibratory in nature. The load magnitude and the number of stress cycles need to be considered and analysis is required to prevent low-cycle fatigue or yield stress failure.

Refer the following load conditions to the factory:

- The peak momentary or starting load exceeds 200% percent of gear unit's rated capacity.
- Frequent load reversals that create high peak torques during the changes in load direction.
- Heavy repetitive shock loads may occur.
- When high-energy loads must be absorbed and high peak torques develop, such as when stalling conditions occur.
- More than 5 peak loads per hour



## Oversized Prime Movers

High torque motors or oversized prime movers are sometimes needed to overcome high energy loads. Recommended operating service factors do not cover instances where oversized prime movers are required. Please contact NORD DRIVESYSTEMS in such cases.

## Variable Speed or Multi-Speed Applications

Gear reducer ratings in this catalog are based upon single speed operation of the gear unit. When selecting gear drives for multi-speed or variable speed applications, determine the speed at which the greatest torque is developed and make the initial selection of the gear drive on that basis.

The following information is essential in order for NORD to verify adequate oil distribution, thermal capacity and whether or not there is any need for an oil distribution system or special cooling options:

- Indicate the operating speed requirements and gear ratio.
- Provide the minimum and maximum speeds along with the speed duration cycles.

NORD Gear specifies different oil levels for various gear reducer sizes, speeds, ratios and mounting positions; If one intends to operate an existing gear drive at a different speed from those shown on the nameplate, the full application and nameplate information must be reviewed by NORD DRIVESYSTEMS.

## Brake Equipped Applications

When a brake is either supplied between the motor and the gearbox or included with a motor, the gear drive must be selected by either the brake's rating or the highest equivalent input power, whichever is greater. If the brake rating is higher than 200% of the rated gear unit capacity or if the brake is located on the output shaft of the gear drive, the application must be reviewed by the NORD DRIVESYSTEMS.

## Wet or Damp Outdoor Installation

Special seals and anti-corrosion measures are required for outdoor installation, in wet or damp environments or in tropical climates.

## Exposure to Solar Heating

If a drive is exposed to radiant or solar heating, while operating in the sun at ambient temperatures of 104°F (40°C) or higher, then special protection measures are recommended. This protection can consist of a canopy over the gear drive. If neither is possible, a heat exchanger or other cooling device may be required.

## Special Conditions

Consideration must be taken during unit selection when special environmental or extraordinary conditions are present during transportation, storage or operation. Please consult NORD for assistance. Special conditions may include (but are not limited to):

- Exposure to aggressive corrosive materials, contaminated air, gasses, acids, bases, salts, etc.
- Exposure to high relative humidity (installed outside, in damp rooms, or in tropical environments).
- Direct contact between the gear unit and liquid.
- Material build-up on the gear unit or motor (dirt, dust, sand, etc.).
- High atmospheric pressure.
- Radiation exposure.
- Extreme high or low temperatures or large temperature fluctuations.
- High vibration, rapid accelerations or decelerations, shock or impact.



## Special Applications

Severe operating conditions are present in various applications. Often these operating conditions may involve one or more of the following:

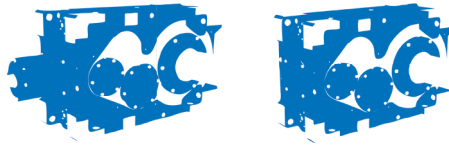
- 24-hour continuous operation at or near full-load motor power or full-load torque.
- A large inertia or moving mass at the reducer out-put with a small gear ratio generating very high load conditions at the reducer's input.
- Vibrations may be common, such as those found when an external drive chain or belt is used.
- A direct gear drive connection to a mixer or fan shaft that produces high oscillating and bending movements as well as high load forces to the reducers drive shaft and internal bearings.
- Vertical reducer configuration is needed & specialreducer options are often necessary.
- Outdoor installation (i.e. humidity and aggressive media, as well as sudden changes in temperature with the possibility of condensation).
- A high degree of environmental protection is required(special sealing, biodegradable oil, special maintenance and servicing needs, low noise, etc.).

NORD has experience with many unique applications and has developed a package of design options in order to meet these requirements. Please consult NORD DRIVESYSTEMS when selecting a gear unit for special applications.

## Storage

Gear units with the long-term storage option are completely filled with lubricant or have VCI corrosion protection agents added to the gear oil. Prior to installation, storage for up to 9 months is possible, so long as the following is observed:

- Store the gear unit in its actual mounting position in accordance with the specified oil fill-level, in a clean, dry and temperature controlled area.
- Avoid temperature fluctuations within the range of -5°C to 50°C (23°F to 122°F) and avoid relative humidity conditions in excess of 60%.
- Protect all exposed or unpainted shaft and flange surfaces with an anti-corrosion agent or grease.
- Store in a location free from shock & vibration, to avoid damage to the bearing elements & raceways.
- Whenever possible, rotate the shafts periodically, to help prevent brinelling of the bearings and to help keep the shaft seals pliable.
- Avoid exposure to the sun or UV light and other aggressive/corrosive materials (ozone gases, solvents, acids, caustic solutions, salts, radioactivity, etc.
- For storage longer than 9 months, Please contact NORD DRIVESYSTEMS to ensure proper protection.



**Inquiry For**

Drive / Gear Unit Selection

Drawing<sup>1)</sup> of of gear unit type \_\_\_\_\_

PDF dim. sheet     2D DXF     3D STEP

Other \_\_\_\_\_

**Customer**

Company \_\_\_\_\_

Contact Person \_\_\_\_\_

Phone \_\_\_\_\_

Mail \_\_\_\_\_

End User \_\_\_\_\_

**Application Data**

Industry / Industrial Sector<sup>1)</sup> \_\_\_\_\_

Application<sup>1)</sup> \_\_\_\_\_

Quantity \_\_\_\_\_ Country \_\_\_\_\_

**Operation Time [hr/day]**

≤ 0.5 hrs.     0.5 - 10 hrs.     > 10 hrs.

**Switch on Time [%]**

For an observation period of 1 hour \_\_\_\_\_ %

**Peak loads / start-ups [number / hr]** \_\_\_\_\_ per hr.

**Environmental Parameters**

**Place of installation**

small room (v ≥ 0.5 m/s) or (v ≥ 1.65 ft/s)

large room or hall (v ≥ 1.5 m/s) or (v ≥ 4.95 ft/s)

outdoors (v ≥ 4.0 m/s) or (v ≥ 13.1 ft/s)


Shaded from sun  
 Not shaded from sun

**Ambient Conditions**

Clean (e.g. food industry)

Dusty     industrial dust

fibrous dust (e.g. grain)  
 cement, coal, stone quarry

**ATTENTION: If dust is from cement, coal or stone, Taconite shaft seals are mandatory!** 

Dry

Wet     fresh water

salt water

Corrosive (e.g. chemistry industry)

Other \_\_\_\_\_

**Ambient Temperature**     °C or  °F

normal \_\_\_\_\_ min \_\_\_\_\_ max \_\_\_\_\_

**Altitude above sea level [m]** \_\_\_\_\_ or [ft] \_\_\_\_\_

**Gearbox Load Data**

**Input Speed n1 [rpm]**

normal \_\_\_\_\_ min \_\_\_\_\_ max \_\_\_\_\_

**Output Speed n2 [rpm] or Ratio<sup>1)</sup>**

n2: normal \_\_\_\_\_ min \_\_\_\_\_ max \_\_\_\_\_

i: target \_\_\_\_\_ min \_\_\_\_\_ max \_\_\_\_\_

**Installed power at input P1 [  kW /  HP ]** \_\_\_\_\_

**Operating torque at output M2 [  kNm /  lb-in ]**

normal \_\_\_\_\_ min \_\_\_\_\_ max \_\_\_\_\_

**Operating factor [fbmin]**

target \_\_\_\_\_  according to customer specification

according to NORD reccomendation<sup>1)</sup>

with reference to     motor power / motor torque

operating power / operating torque

**Direction of rotation and load direction at output**

(solid shaft: with view towards shaft end)

(hollow shaft: with view from customer shaft)

one direction


CW  
 CCW

with view on shaft position     A2     B2


pulsating load (e.g. crankshaft drive)

both directions

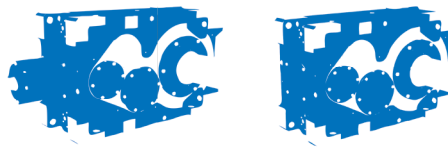
one load direction (e.g. hoist)  
 both load directions  
 both load directions, alternating load with less than one entire revolution at output



**A2**



**B2**



## Gearbox Load Data (ctd.)

### Machine Shaft Bearing

- two bearings, gear unit transmits only torque  
 Other, please specify \_\_\_\_\_

### Axial and Radial Forces

At input:  $F_A =$  \_\_\_\_\_

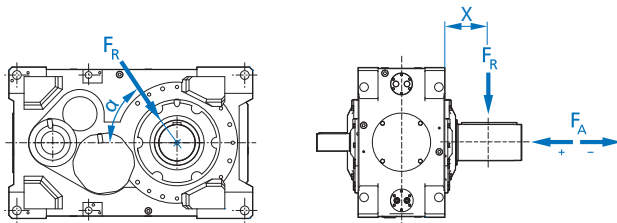
$F_R =$  \_\_\_\_\_  $x =$  \_\_\_\_\_  $\alpha =$  \_\_\_\_\_

At output:  $F_{A1} =$  \_\_\_\_\_

$F_{A2} =$  \_\_\_\_\_

$F_{R1} =$  \_\_\_\_\_  $x =$  \_\_\_\_\_  $\alpha =$  \_\_\_\_\_

$F_{R2} =$  \_\_\_\_\_  $x =$  \_\_\_\_\_  $\alpha =$  \_\_\_\_\_



### Requested bearing lifetime acc. to DIN 281 [h]

L10h \_\_\_\_\_ h (basic rating life) or

Lhna \_\_\_\_\_ h (modified rating life)

- on installed power       on operating power

## Basic Gearbox Parameters

### Type

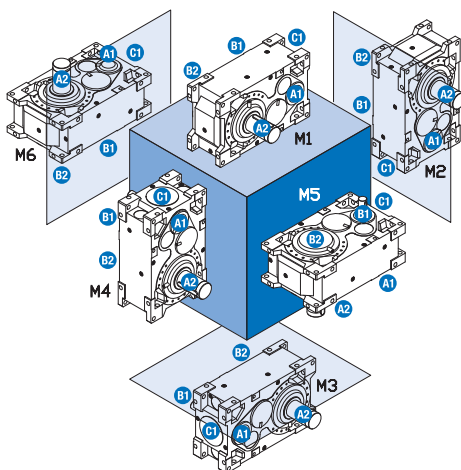
- helical (SK..207, SK..307)       bevel (SK..407, SK..507)

### Mounting Position <sup>1), 2)</sup>

- M1/M3     M5  
 M2       M6  
 M4

### Shaft Positions<sup>1)</sup>

- A1       A2  
 B1       B2  
 C1



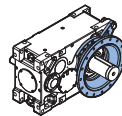
## Basic Gearbox Parameters (ctd.)

### Type of Output Shaft

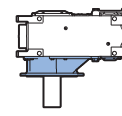
- Solid shaft with keyway (V)  
 Hollow shaft with keyway (A)  
      with cover (H)       without cover  
      with fixing kit (B)       without fixing kit  
 Hollow shaft with Shrink Disc (AS)  
      with cover (ASH)       without cover (AS)  
 Other \_\_\_\_\_

### Drive Unit / Gear Unit Attachment to Application<sup>1)</sup>

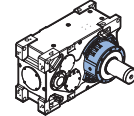
- Foot  
 Output Flange



- block flange / B14 with thread (F)

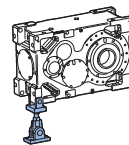


- Agitator version with increased bearing distance (VL2)  
 collared flange / B5 with through holes (FK)  
 Agitator version, with increased bearing distance, oil drip disc & leakage display (VL3)

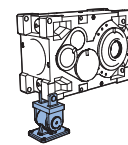


- Agitator with no flange increased bearing distance, true drywell solution with forced lubrication & protective tube (VL6)  
 Agitator flange, with increased bearing distance, true drywell solution with forced lubrication & protective tube (VL4)

- Torque Support



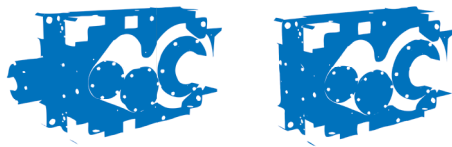
- Standard (D)



- Elastic (ED)

- Motor swing base<sup>3)</sup> (MS..) with torque support  
 Motor base frame<sup>3)</sup> (MF..)  
 Other \_\_\_\_\_  
 Supplied by NORD       Not supplied by NORD



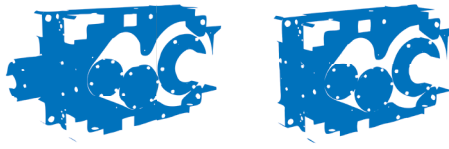


Mandatory Gearbox Parameters	
<b>Air Breather</b>	
<input type="checkbox"/> NORD recommendation	
<input type="checkbox"/> Metal filter (standard)	<input type="checkbox"/> Cellulose filter
<input type="checkbox"/> Desiccant breather	<input type="checkbox"/> Pressure vent plug
<b>Oil Level Control</b>	
<input type="checkbox"/> Screw plug (standard)	<input type="checkbox"/> Oil level sight glass
<input type="checkbox"/> Oil dip stick	<input type="checkbox"/> Oil level indicator
<b>Oil Drain</b>	
<input type="checkbox"/> Screw plug (standard)	<input type="checkbox"/> Oil drain cock
<b>Requested Shaft Seal</b>	
<input type="checkbox"/> NORD recommendation	
<input type="checkbox"/> Sealing rings (standard)	<input type="checkbox"/> Taconite
<b>ATTENTION: If dust is from cement, coal or stone, Taconite shaft seals are mandatory!</b>	
<b>Painting Specification</b>	
<input type="checkbox"/> NORD recommendation	
<input type="checkbox"/> F2.0 (standard)	<input type="checkbox"/> Other _____
<b>Color of Top Coat</b>	
<input type="checkbox"/> RAL 5010	<input type="checkbox"/> RAL 7031
<input type="checkbox"/> Other	_____

Optional Gearbox Parameters <sup>*)</sup>	
<b>Backstop</b>	
<input type="checkbox"/> Backstop (R) at shaft position	<input type="radio"/> A1 <input type="radio"/> B1
<b>Auxilliary Drive</b>	
<input type="checkbox"/> Auxilliary drive (WX) at shaft position	<input type="radio"/> A1 <input type="radio"/> B1
Type (If known) _____	
<b>Pre-Stage Gear Unit</b>	
<input type="checkbox"/> Pre-stage gear unit (WG) at shaft position	<input type="radio"/> C1 <input type="radio"/> A1 <input type="radio"/> B1
Type (If known) _____	
<b>Brake (holding brake only)</b>	
<input type="checkbox"/> Drum brake	<input type="checkbox"/> Disc Brake
Brake torque _____	
At shaft position <input type="radio"/> C1 <input type="radio"/> A1 <input type="radio"/> B1 <input type="radio"/> A2 <input type="radio"/> B2	
<b>Monitoring Sensors</b>	
<input type="checkbox"/> Pt100 in oil sump	
<input type="checkbox"/> Pt100 for bearings	
<input type="checkbox"/> Other, please specify _____	
_____	
<b>Vibration Sensors</b>	
<input type="checkbox"/> SPM nipples / vibration	

Couplings <sup>*)</sup>	
<b>Coupling at <u>Input</u> Shaft</b>	
<input type="checkbox"/> Torsionally flexible (e.g. jaw coupling KTR Rotex)	
<input type="checkbox"/> Hydraulic (e.g. Transfluid KRG)	
<input type="checkbox"/> Other _____	
<input type="checkbox"/> Supplied by NORD	<input type="checkbox"/> Not supplied by NORD
<b>Coupling at <u>Output</u> Shaft</b>	
<input type="checkbox"/> Torsionally flexible (e.g. pin & bush KTR Revolvex KX-D)	
<input type="checkbox"/> Torsionally rigid (e.g. gear coupling KTR GEARex)	
<input type="checkbox"/> Other _____	
<input type="checkbox"/> Supplied by NORD	<input type="checkbox"/> Not supplied by NORD

Lubrication <sup>*)</sup>
<b>Lubrication System</b>
<input type="checkbox"/> NORD recommendation
<input type="checkbox"/> Splash lubrication (standard)
<input type="checkbox"/> Forced / pressure lubrication
<input type="radio"/> LC (upper bearings) <input type="radio"/> LCX (bearings + gears)
<input type="radio"/> With motor pump
<input type="checkbox"/> 1-phase
<input type="checkbox"/> 3-phase
Voltage _____
<input type="radio"/> With flange pump at shaft position <input type="checkbox"/> 1 <input type="checkbox"/> 2
<input type="checkbox"/> Full oil level with oil tank
<b>Type of Oil / Gear Unit to Operate With</b>
<input type="checkbox"/> NORD recommendation
<input type="checkbox"/> Mineral CLP oil (standard)
<input type="checkbox"/> Synthetic CLP PG oil
<input type="checkbox"/> Synthetic CLP HC (PAO) oil
<input type="checkbox"/> Viscosity class ISO VG
<input type="radio"/> 220 (standard) <input type="radio"/> 320 <input type="radio"/> _____
(Gear unit will usually be delivered without oil)
<b>Oil Heater</b>
<input type="checkbox"/> Screw plug immersion heater (OH)
<input type="radio"/> 1-phase <input type="radio"/> 3-phase
<input type="radio"/> voltage _____



Motor / Drive Type	
<b>Drive Type</b>	
<input type="checkbox"/> 3-phase motor	
<input type="checkbox"/> Other _____	
<b>Frequency Inverter Operation</b>	
<input type="checkbox"/> Yes	<input type="checkbox"/> No
<input type="checkbox"/> 50Hz characteristic	<input type="checkbox"/> 87 Hz characteristic
<input type="checkbox"/> Other _____	
(Please specify rotation speed range min/max under Gearbox Load Data, input speed.)	
<b>Motor</b>	
<input type="checkbox"/> IEC	<input type="checkbox"/> NEMA size: _____
<input type="checkbox"/> Supplied by NORD <input type="checkbox"/> Not supplied by NORD	
(If delivered by NORD, please specify exact motor type & options)	
<b>Motor Mount</b>	
<input type="checkbox"/> IEC/NEMA motor adapter	
<input type="checkbox"/> B3 (foot)	<input type="checkbox"/> B5 (flange)
<input type="checkbox"/> Other _____	

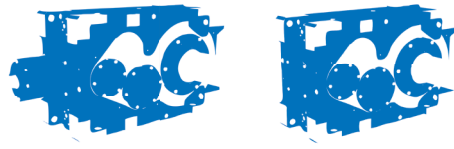
Cooling <sup>1)</sup>		
<b>Permissable Cooling</b>		
	Approved	Not Approved
Fan	<input type="checkbox"/>	<input type="checkbox"/>
At shaft position	<input type="radio"/> 0	<input type="radio"/> 1 <input type="radio"/> 2
Cooling Coil (CC)	<input type="checkbox"/>	<input type="checkbox"/>
External oil/air cooler (CS2)	<input type="checkbox"/>	<input type="checkbox"/>
External oil/water cooler (CS1)	<input type="checkbox"/>	<input type="checkbox"/>
Type of cooling water		
<input type="radio"/> Sea water		
<input type="radio"/> Pond water		
<input type="radio"/> Other _____		
Cooling water temperature _____ °C		

Explosion Protection	
Explosion protection required	<input type="checkbox"/> Yes <input type="checkbox"/> No
<input type="checkbox"/> ATEX	zone/category _____
	temperature class/max service temp. _____
<input type="checkbox"/> Other _____	

<sup>1)</sup> data necessary for drawing request  
<sup>1)</sup> see G1050 ⇨ 32 - 35  
<sup>2)</sup> see G1050 ⇨ 37 - 38  
<sup>3)</sup> see G1050 ⇨ 75

Further Information

Sketch



## Gear Unit Selection Procedure

Selecting a MAXXDRIVE™ gear unit requires three fundamental steps.

### 1. Pre-selection

A variety of options or methods are provided to aid in the pre-selection.

- 1.1 Input Power Method (⇒ [18](#)).
- 1.2 Output Torque Method (⇒ [20](#)).
- 1.3 Variable Output Torque Method (⇒ [22](#)).

### Standard Selection Criteria

The standard or default selection criteria are defined as follows:

- Ambient temperature: 20°C (68 °F) or 40°C (104°F)
- Ambient air condition: large open area with good air circulation and convection cooling; sustained ambient air velocity approaching  $V_L \approx 4.92 \text{ ft/s (1.5 m/s)}$ .
- Installation foundation: flat and level steel sub-construction.
- Installation altitude:  $\leq 3280 \text{ ft (1000 m)}$  above sea level.
- Mounting position: horizontal (⇒ [37 - 38](#)).
  - M1 is standard for 2-stage Parallel and 3-stage Right-Angle gear units.
  - M3 is standard for 3-stage Parallel and 4-stage Right-Angle gear units.
- Lubrication method: oil-splash lubrication.

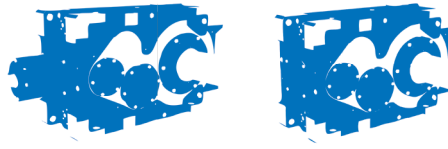
### 2. Check of peak load conditions (⇒ [23](#)).

### 3. Check of the thermal power capacity (⇒ [25](#)).

Our selection procedure accounts for variations in ambient temperature and air conditions, installation altitude, mounting position, lubrication method, and thermal power capacities.

	<b>WARNING</b>	
To assure proper reducer lubrication and cooling during operation, consult NORD when operating input speed requirements exceed 1800 rpm or are below 1000 rpm.		





## 1.1 Pre-selection: Input Power Method

The selection of the gear reducer is based upon the known Input Power ( $P_1$ ).

1. Determine if the nominal input speed ( $n_{1N}$ ) will be 1000, 1200, 1500 or 1800 rpm.

<span style="font-weight: bold; font-size: 1.2em;">IMPORTANT NOTE</span>
<p>The reducer power ratings tables are based upon typical input speeds of 1000, 1200, 1500 &amp; 1800 rpm. For other input speeds between 1000-1800 you may make a selection based on the (1.2) Output Torque Method found on page <math>\Rightarrow</math>  20.</p>

2. Record the required output speed ( $n_2$ ) or required ratio ( $i_{req}$ ) of the gear reducer. Calculate ( $i_{req}$ ) if ( $n_2$ ) is known, or calculate ( $n_2$ ) if ( $i_{req}$ ) is known.

$$i_{req} = \frac{n_{1N}}{n_{2N}} \text{ or } \dots \text{ } n_2 = \frac{n_{1N}}{i_{req}}$$

3. Record the required input power ( $P_1$ ). The required input power ( $P_1$ ) may also be calculated as follows, if one knows the required output speed ( $n_2$ ) and required reducer output torque ( $M_2$ ).

$$P_1 = \frac{M_2 \times n_{2N}}{63025 \times \eta_N} \text{ (for hp)} \text{ or } P_1 = \frac{M_2 \times n_{2N}}{9.55 \times \eta_N} \text{ (for kW) where...}$$

$\eta_N$  = nominal gear reducer efficiency ( $\Rightarrow$  30)

4. Determine the Operating Service Factor ( $f_B$ ) from the table on pages  $\Rightarrow$  32 - 35.

<span style="font-weight: bold; font-size: 1.2em;">WARNING</span>
<p>Consult NORD if uncertain about what operating service factor (<math>f_B</math>) is required and in cases where a lower service factor than shown in the table on page <math>\Rightarrow</math>  32 is desired.</p>

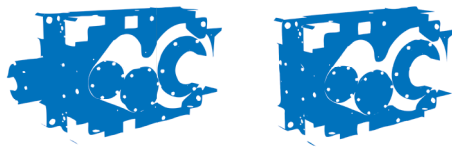
5. Determine the Input Factor ( $f_M$ ) from, page  $\Rightarrow$  30. This factor will help account for possible torque fluctuations from the type of prime mover.
6. Calculate the required rated power ( $P_N$ ) for the gear reducer as follows:

$$P_N = P_1 \cdot f_B \cdot f_M$$

7. Utilize the ratings tables to select a gear unit and gear ratio, in accordance to the input power ( $P_1$ ) and the required gear ratio ( $i_{req}$ ) or output speed ( $n_{2N}$ ).

Parallel shaft gear units  $\Rightarrow$  87 – 130

Right-angle gear units  $\Rightarrow$  175 – 218



### (1.1) Pre-selection - Example Equation:

When the following information is given:

- $P_1 = 500$  hp (known input power)
- $n_{1N} = 1800$  rpm (input speed; step 1)
- $n_2 = 80$  rpm (required output speed)

**Calculated:**

$$i_{req} = \frac{n_{1N}}{n_2} = \frac{1800}{80} = 22.5 \text{ (required ratio)}$$

### Pre-selection Example Application:

Mixer; homogenous materials - Duty Cycle = 5-10 hours daily (⇒ [32](#))

Service factors - $f_B$			
Application	Load Duration		
	up to 5 hrs per day	5-10 hrs per day	over 10 hrs per day
<b>MIXERS</b>			
for homogeneous material	1,35	1,35	1,40

$$f_B = 1.35 \text{ (service factor)}$$

### Input Factor (takes into account the prime mover) (⇒ [30](#))

$f_M$	Type of Prime Mover
	Electric motors Hydro motors Turbines
	1

**Calculated:**

$$P_N = P_1 \cdot f_B \cdot f_M \text{ or } P_N = 500 \text{ hp} \cdot 1.35 \cdot 1.0$$

**Therefore  $P_N = 675$  hp**

Use this number and the required ratio calculation to look at the Ratings section in order to decide on the proper sized gear unit.

In this case a 22.5 ratio with 675 hp with an input speed of 1800 rpm and an 80 rpm output speed would lead you to choose a 11307 (found on page ⇒ [91](#)) based on comparing our calculations and the highlighted numbers from the example below.

Nom. Ratio	Nominal Input Speed	Nominal Output Speed	Rated Power											
			SK 5207/ SK 5307	SK 6207/ SK 6307	SK 7207/ SK 7307	SK 8207/ SK 8307	SK 9207/ SK 9307	SK 10207/ SK 10307	SK 11207/ SK 11307	SK 12207/ SK 12307	SK 13207/ SK 13307	SK 14207/ SK 14307	SK 15207/ SK 15307	
$i_N$	$n_{1N}$ [rpm]	$n_{2N}$ [rpm]	$P_N$ [HP]	$P_N$ [HP]	$P_N$ [HP]	$P_N$ [HP]	$P_N$ [HP]	$P_N$ [HP]	$P_N$ [HP]	$P_N$ [HP]	$P_N$ [HP]	$P_N$ [HP]	$P_N$ [HP]	
22,4	1000	45	92	130	148	188	241	290	462	690	968	1,178	1,736	
	1500	67	139	195	222	281	361	436	694	1,036	1,452	1,766	2,604	
	1200	54	111	156	178	225	289	349	555	828	1,162	1,413	2,084	
	1800	80	166	234	266	338	434	523	832	1,243	1,743	2,120	3,125	



## 1.2 Pre-selection: Output Torque Method

The selection of the gear reducer is based upon the required Reducer Output Torque ( $M_2$ ).

### 1. Determine the nominal input speed ( $n_{1N}$ ).

	<b>IMPORTANT NOTE</b>	
The reducer ratings tables are based upon input speeds of 1000, 1200, 1500 & 1800 rpm.		

### 2. Record the required output speed ( $n_2$ ) or required ratio ( $i_{req}$ ) of the gear reducer. Calculate ( $i_{req}$ ) if ( $n_2$ ) is known, or calculate ( $n_2$ ) if ( $i_{req}$ ) is known.

$$i_{req} = \frac{n_{1N}}{n_{2N}} \text{ or } \dots \text{ } n_{2N} = \frac{n_{1N}}{i_{req}}$$

### 3. Record the required reducer output torque ( $M_2$ ). The required reducer output torque ( $M_2$ ) may also be calculated as follows, if one knows the required output speed ( $n_{2N}$ ) and required input power ( $P_1$ ).

$$M_2 = \frac{P_1 \times 63025 \times \eta_N}{n_{2N}} \text{ (for hp) or } M_2 = \frac{P_1 \times 9.55 \times \eta_N}{n_{2N}} \text{ (for kW) where...}$$

$\eta_N$  = nominal gear reducer efficiency ( $\Rightarrow$  30)

### 4. Determine the Operating Service Factor ( $f_B$ ) from the table on pages $\Rightarrow$ 32 - 35.

	<b>WARNING</b>	
Consult NORD if uncertain about what operating service factor ( $f_B$ ) is required and in cases where a lower service factor than shown in the table on page $\Rightarrow$ 32 is desired.		

### 5. Determine the Input Factor ( $f_M$ ) from, page $\Rightarrow$ 30. This factor will help account for possible torque fluctuations from the type of prime mover.

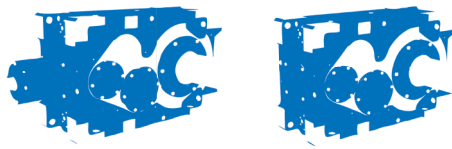
### 6. Calculate the required Rated Torque ( $M_{2max}$ ) for the gear reducer as follows:

$$M_{2MAX} = M_2 \cdot f_B \cdot f_M$$

### 7. Utilize the ratings tables to select a gear unit and gear ratio, in accordance to the reducer output torque ( $M_2$ ) and the required gear ratio ( $i_{req}$ ) or output speed ( $n_2$ ).

Parallel shaft gear units  $\Rightarrow$  87 – 130

Right-angle gear units  $\Rightarrow$  175 – 218



### (1.2) Pre-selection - Example Equation:

When the following information is given:

- $M_2 = 400,000$  lb-in (required output torque)
- $n_{1N} = 1800$  rpm (input speed; step 1)
- $n_2 = 80$  rpm (required output speed)

**Calculated:**

$$i_{req} = \frac{n_{1N}}{n_2} = \frac{1800}{80} = 22.5 \text{ (required ratio)}$$

### Pre-selection Example Application:

Mixer; homogenous materials - Duty Cycle = 5-10 hours daily (⇒ 32)

Service factors - $f_B$			
Application	Load Duration		
	up to 5 hrs per day	5-10 hrs per day	over 10 hrs per day
<b>MIXERS</b>			
for homogeneous material	–	1.35	1.40

$f_B = 1.35$  (service factor)

### Input Factor (takes into account the prime mover (⇒ 30))

$f_M$	Type of Prime Mover
	Electric motors Hydro motors Turbines
	1

$f_M = \text{electric motor} = 1.0$  (input factor)

**Calculated:**

$$M_{2max} = M_2 \cdot f_B \cdot f_M \text{ or } M_{2max} = 400,000 \text{ lb-in} \cdot 1.35 \cdot 1.0$$

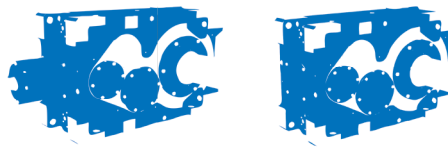
Therefore  $M_{2max} = 540,000$  lb-in

Use this number and the required ratio calculation to look at the Ratings section in order to decide on the proper sized gear unit.

In this case a 22.5 ratio with a 540,000 lb-in torque requirement would lead you to select an 11307 (found on page ⇒ 94) which is based on comparing our calculations to the highlighted numbers from the example below.

Nom. Ratio	SK 5207/ SK 5307	SK 6207/ SK 6307	SK 7207/ SK 7307	SK 8207/ SK 8307	SK 9207/ SK 9307	SK 10207/ SK 10307	SK 11207/ SK 11307	SK 12207/ SK 12307	SK 13207/ SK 13307	SK 14207/ SK 14307	SK 15207/ SK 15307
	Output Torque										
$i_N$	$M_{2max}$ [lb-in x 1000]	$M_{2max}$ [lb-in x 1000]	$M_{2max}$ [lb-in x 1000]	$M_{2max}$ [lb-in x 1000]	$M_{2max}$ [lb-in x 1000]	$M_{2max}$ [lb-in x 1000]	$M_{2max}$ [lb-in x 1000]	$M_{2max}$ [lb-in x 1000]	$M_{2max}$ [lb-in x 1000]	$M_{2max}$ [lb-in x 1000]	$M_{2max}$ [lb-in x 1000]
20	133	177	215	252	351	409	643	959	1,332	1,682	2,257
<b>22.4</b>	133	177	215	257	354	410	<b>651</b>	963	1,336	1,682	2,390
25	133	177	215	254	357	416	673	967	1,338	1,682	2,421
28	133	177	215	261	359	418	674	970	1,339	1,682	2,443

SK ..207 Units      SK ..307 Units



## 1.3 Pre-selection: Variable Output Torque Method

In many gear reducer applications, the required reducer output torque varies from one time interval to the next, over the typical operational duty cycle. In these situations variable torque loads, at constant speed operation, can be converted to an average torque in order to make a selection.

1. Determine if the nominal input speed ( $n_{1N}$ ) will be 1000, 1200, 1500 or 1800 rpm.
2. Record the Required Output Speed ( $n_{2N}$ ) or Required Ratio ( $i_{req}$ ) of the gear reducer.
3. Calculate  $i_{req}$  if  $n_{2N}$  is known, or calculate  $n_{2N}$  if  $i_{req}$  is known.

$$i_{req} = \frac{n_{1N}}{n_{2N}} \text{ or } \dots \quad n_{2N} = \frac{n_{1N}}{i_{req}}$$

4. Calculate the Average Reducer Output Torque ( $M_{2avg}$ ) as follows:

$$M_{2avg} = 6.6 \sqrt{\left( (T_{2.1})^{6.6} \cdot \frac{t_1}{t_t} \right) + \left( (T_{2.2})^{6.6} \cdot \frac{t_2}{t_t} \right) + \dots + \left( (T_{2.n})^{6.6} \cdot \frac{t_n}{t_t} \right)}$$

where:

- $M_{2avg}$  = Average reducer output torque
- $T_{2.1} \dots T_{2.n}$  = Required reducer output torque at a specific time interval
- $t_1 \dots t_n$  = Specific time interval
- $t_t$  = Total duty cycle time, representing all torque and time intervals

5. Determine the Operating Service Factor ( $f_B$ ) from the table on pages  $\Rightarrow$  32 - 35.
6. Determine the Input Factor ( $f_M$ ) from, page  $\Rightarrow$  30. This factor will help account for possible torque fluctuations from the type of prime mover.
7. Calculate the required rated torque ( $M_{2max}$ ) for the gear reducer as follows:
 
$$M_{2max} = M_{2avg} \cdot f_B \cdot f_M$$
8. Use the ratings tables to select a gear unit and gear ratio, in accordance to the average reducer output torque ( $M_{2avg}$ ) and the required gear ratio ( $i_{req}$ ) or output speed ( $n_{2N}$ ) requirements.
  - Parallel shaft gear units  $\Rightarrow$  87 – 130
  - Right-angle gear units  $\Rightarrow$  175 – 218
9. Using the formula shown, calculate the average input power ( $P_{1avg}$ ).

$$P_{1avg} \geq \frac{M_{2avg} \times n_{1N}}{9.55 \times i_N \times \eta_N} \text{ (kW)} \quad \text{or} \quad P_{1avg} \geq \frac{M_{2avg} \times n_{1N}}{63025 \times i_N \times \eta_N} \text{ (hp)}$$

where:

- $P_{1avg}$  = Average required input power for a specific time interval
- $M_{2avg}$  = Average required reducer output torque
- $n_{1N}$  = Nominal (motor) input speed
- $\eta_N$  = Nominal gear reducer efficiency ( $\Rightarrow$  30)

10. Using the formula shown, calculate the Required Input Power ( $P_{1.N}$ ) for each portion of the duty cycle. Then determine the maximum ( $P_{1.N}$ ) value.

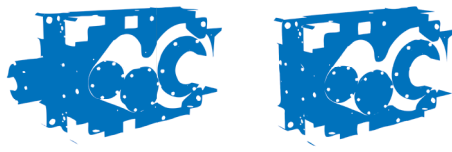
$$P_{1.N} \geq \frac{M_{2.N} \times n_{1N}}{63025 \times i_N \times \eta_N} \text{ (hp)} \quad \text{or} \quad P_{1.N} \geq \frac{M_{2.N} \times n_{1N}}{9.55 \times i_N \times \eta_N} \text{ (kW)}$$

where:

- $M_{2avg}$  = Average reducer output torque
- $M_{2.1} \dots M_{2.n}$  = Required reducer output torque at a specific time interval.
- $t_1 \dots t_n$  = Specific time interval.
- $t_{ges}$  = Total duty cycle time, representing all torque and time intervals

11. Select a motor power ( $P_1$ ) that is suited to deliver both the average required power ( $P_{1avg}$ ), calculated in Step 9, and the maximum required power ( $P_{1.N}$ ), determined in Step 10.





### IMPORTANT NOTE



Utilizing the motor's overload capacity may not be necessary to select the motor power based upon the maximum power required for the duty cycle. Consult your motor supplier and/or NORD DRIVESYSTEMS if help is needed.



### IMPORTANT NOTE



When trying to determine the motor power, it is common practice to round the calculated power to the next available standard motor power.

#### 12. Using the selected motor power ( $P_1$ ) from Step 11, verify that the Rated Torque ( $M_{2max}$ ) of the selected gear reducer is larger than the value calculated below.

$$M_{2max} \geq \frac{P_1 \cdot i_{ges} \cdot 63205}{n_1} \cdot \eta_N \cdot f_B \cdot f_m \text{ (lb-in)} \quad \text{or} \quad M_{2max} \geq \frac{P_1 \cdot i_{ges} \cdot 9.55}{n_1} \cdot \eta_N \cdot f_B \cdot f_m \text{ (kNm)}$$

where:

- $P_1$  = Motor power determined in step 11
- $i_{ges}$  = Exact gear ratio for the gear unit selected in step 11
- $n_{1N}$  = Nominal (motor) input speed
- $\eta_N$  = Nominal gear reducer efficiency ( $\Rightarrow$  30)

## 2. Check of peak load conditions

After the basic pre-selection of the MAXXDRIVE™ gear reducer, the peak load conditions must be determined at the reducer output, and compared to the reducer rated torque, in order to verify that the gear unit has a sufficient mechanical rating or capacity.

The peak load torque is the highest possible torque that may occur in the application. When the equipment builder or machine designer has determined the peak operating loads, these conditions should be considered during the selection verification process. Otherwise peak load torques estimates need to be made.

### Methods for Calculating Gear Reducer Torque

#### Method 1 : Peak load at the output is known.

If the machine designer or equipment builder knows the peak load developed at the reducer output, the reducer selection can be verified by applying the following formula.

$$M_{2max} \geq M_{2peak} \cdot f_s$$

where:

- $M_{2max}$  = Gear reducer rated torque
- $M_{2peak}$  = Peak load torque at the reducer output
- $f_s$  = Peak load factor ( $\Rightarrow$  30)

#### Method 2 : Peak load at the input is known.

If the machine designer or equipment builder knows the peak load developed at the reducer input, the reducer selection can be verified by applying the following formula.

$$M_{2max} \geq M_{1peak} \cdot i_{ges} \cdot f_s$$

where:

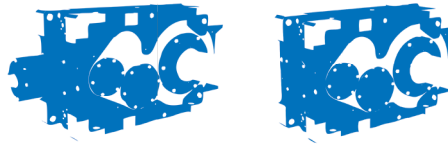
- $M_{2max}$  = Gear reducer rated torque
- $M_{1peak}$  = Peak load torque at the reducer input
- $i_{ges}$  = Exact gear ratio for the selected gear unit
- $f_s$  = Peak load factor ( $\Rightarrow$  30)



### IMPORTANT NOTE



When brakes are supplied between the motor and the gear reducer, or when brake motors are utilized, the peak torque developed by the braking action must also be considered.



## 2. Check of peak load conditions (ctd.)

### Method 3 : Estimating peak load torque at the output

Often, the peak load torque at the reducer output is not known. When this is the case and estimate of the peak load torque can be made from the known input shaft loads and by taking into consideration the Start-Up Factor ( $f_{AN}$ ).

$$M_{2max} \geq \frac{P_1 \cdot i_{ges} \cdot 63205}{n_1} \cdot \eta_N \cdot f_{AN} \cdot f_s \text{ (lb-in)} \quad \text{or} \quad M_{2max} \geq \frac{P_1 \cdot i_{ges} \cdot 9.55}{n_1} \cdot \eta_N \cdot f_{AN} \cdot f_s \text{ (kNm)}$$

where:

$M_{2max}$  = gear reducer rated torque

$P_1$  = Motor power determined in step 1.3, point 1- 11 (⇒ [22](#))

$i_{ges}$  = exact gear ratio for the gear unit selected in step 1.3, point 1-11 (⇒ [22](#))

$n_1$  = input speed to the gear unit

$\eta_N$  = nominal gear reducer efficiency (⇒ [30](#))

$f_{AN}$  = start-up factor (⇒ [30](#))

$f_s$  = peak load factor (⇒ [30](#))

### (2.) Check of Peak Load - Example Equation:

We must make sure the gearbox is able to handle the load that will be applied when in operation.

When the following information is given:

Reversing Application with

$M_{2peak} = 400,000 \text{ lb-in}$  (peak load at reducer output)

$f_s = 10x$  per hour (peak load frequency on page ⇒ [30](#))

$f_s$	Direction of load	Load peaks per hour
		<b>6 - 20</b>
	one-directional	0.63
	<b>reversible</b>	0.87

#### Calculated:

$$M_{2max} \geq M_{2peak} \cdot f_s \text{ or... } 651,000 \text{ lb-in} \geq 400,000 \text{ lb-in} \cdot 0.87 \text{ or... } 651,000 \text{ lb-in} \geq 348,000 \text{ lb-in} = \checkmark$$

This drive selection is acceptable based on the equation outcome

Nom. Ratio	SK 6207/ SK 5307	SK 6207/ SK 6307	SK 7207/ SK 7307	SK 8207/ SK 8307	SK 9207/ SK 9307	SK 10207/ SK 10307	SK 11207/ SK 11307	SK 12207/ SK 12307	SK 13207/ SK 13307	SK 14207/ SK 14307	SK 15207/ SK 15307
	Output Torque										
	$i_N$	$M_{2max}$ [lb-in x 1000]	$M_{2max}$ [lb-in x 1000]	$M_{2max}$ [lb-in x 1000]	$M_{2max}$ [lb-in x 1000]	$M_{2max}$ [lb-in x 1000]	$M_{2max}$ [lb-in x 1000]	$M_{2max}$ [lb-in x 1000]	$M_{2max}$ [lb-in x 1000]	$M_{2max}$ [lb-in x 1000]	$M_{2max}$ [lb-in x 1000]
<b>20</b>	133	177	215	252	351	409	643	959	1,332	1,682	2,257
<b>22.4</b>	133	177	215	257	354	410	<b>651</b>	963	1,336	1,682	2,390
<b>25</b>	133	177	215	254	357	416	673	967	1,338	1,682	2,421
<b>28</b>	133	177	215	261	359	418	674	970	1,339	1,682	2,443

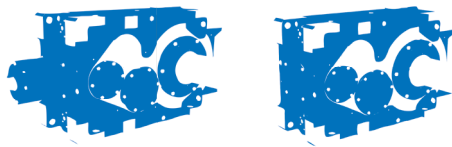


SK ..207 Units



**SK ..307 Units**

Max Torque ( $M_{2max}$ ) From Step 1.2 = 651,000 lb-in



### 3. Check of Thermal Power Capacity

Before finalizing the gear reducer selection, one must check to make certain the reducer's thermal power capacity ( $P_{wg}$ ) exceeds the input power ( $P_1$ ) or motor power ( $P_M$ ) being delivered to the gear unit.

$$P_{wg} > P_1 \quad \text{and} \quad P_{wg} > P_M$$



#### WARNING



If the gear drive's thermal power capacity is limited there will not be sufficient thermal energy dispersion and the gear unit can overheat causing significant damage.

The thermal power capacity of the gear reducer is influenced by a variety of factors. These additional factors must be considered in making the final gear reducer selection:

- Ambient temperature
- Heat transfer to/from adjoining surfaces
- Mechanical loading of the gear unit
- Size and type of gear unit
- Ratio
- Input speed
- Type of lubrication used
- Oil fill level
- Operation duty cycle
- If there is an additional oil circulating system
- If an oil cooling system is utilized
- Ambient conditions and altitude

#### When to Consult NORD DRIVESYSTEMS

Consult NORD DRIVESYSTEMS for a detailed application review if two or more of the following conditions apply:

- Upright mounting position (M2, M4).
- Input power  $P_1 > 670$  hp (500 kW)
- Input speeds  $n_1 > 1800$  rpm or  $n_1 < 1000$  rpm
- Increased ambient temperature  $> 104^\circ\text{F}$  ( $40^\circ\text{C}$ )
- In ATEX environments

Consult NORD DRIVESYSTEMS for recommendations if there are special installation conditions that may affect the operating temperature of the unit. Examples include, but are not limited to, the following:

- Installation in an area with limited air flow
- Exposure to high ambient conditions or heat radiation
- Exposure to solar heating



#### WARNING

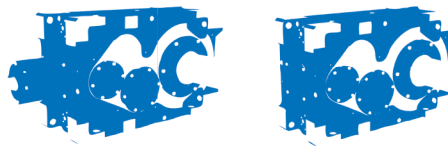


For installation outdoors, adequate shading from the sun must be provided.

#### Standard Installation & Operating Conditions

The thermal power rating of the gear unit is always defined at standard installation and operating conditions as follows.

- Ambient temperature:  $20^\circ\text{C}$  ( $68^\circ\text{F}$ ),  $40^\circ\text{C}$  ( $104^\circ\text{F}$ )
- Ambient air condition: large open area with good air circulation and convection cooling; sustained ambient air velocity approaching  $V_L \approx 4.9$  ft/s ( $1.5$  m/s).
- Installation foundation: flat and level steel sub-construction.
- Installation altitude:  $\leq 3280$  ft ( $1000$  m) above sea level.
- Mounting position: horizontal ( $\Rightarrow$  37 - 38).
  - M1 is standard for 2-stage Parallel and 3-stage Right-Angle gear units.
  - M3 is standard for 3-stage Parallel and 4-stage Right-Angle gear units.
- Lubrication method: oil-splash lubrication.
- If water cooled, cooling water inlet temperature:  $20^\circ\text{C}$  ( $68^\circ\text{F}$ )
- Synthetic oil PAO ISO VG 220



## Cooling Selection Methods

Cooling system options are recommend as shown in the selection table under the column labeled “CS”.

Column “CS”	Recommended Cooling System Option
–	Indicates that no additional measures are required so long as standard installation and operating conditions are applicable.
Fan	Fan cooling with shaft-driven fan.
CC	Integrated water cooling coil.
A,B,...H	Letter designates suggested size of either the oil/water or oil/air external cooling system.

## Method 1 : Applying the Reducer Rating Tables

The thermal ratings tables provide the following thermal power capacities that are based upon a 68°F (20°C) temperature condition, along with standard installation and operating conditions. For other temperatures and multiplication factors please see the table on page ⇒ 30.

- Convection cooling only ( $P_{t0.20}$ ) resp ( $P_{t0.40}$ ).
- Convection + shaft-driven fan ( $P_{t0.20} + P_{tF.20}$ ) resp ( $P_{t0.40} + P_{tF.40}$ ).
- Convection + integrated water coil ( $P_{t0.20} + P_{tC.20}$ ) resp ( $P_{t0.40} + P_{tC.20}$ ).

	<b>WARNING</b>	
Published thermal ratings are based upon standard installation and operating conditions. When this is not the case the thermal power capacity must be verified through direct calculation or analysis.		

## Method 2 : Direct Calculation or Analysis

The published thermal power ratings are always defined at standard installation and operating conditions. When this is not the case the thermal power capacity must be verified through direct calculation or analysis.

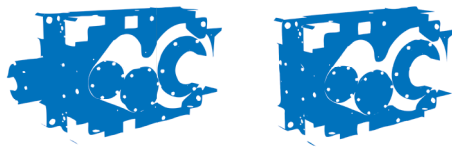
To avoid gear reducer overheating, one must check to make certain the reducer’s thermal power capacity ( $P_{wg}$ ) exceeds the input power ( $P_1$ ) or motor power ( $P_M$ ) being delivered to the gear unit.

$$P_{wg} > P_1 \quad \text{and} \quad P_{wg} > P_M$$

By utilizing the gear reducer operating factors listed on pages ⇒ 30 - 31, one can determine the thermal power capacity of the gear reducer, for the type of cooling option that is used or specified.

Aside from relying on pure convection or air cooling, NORD can provide a variety of cooling options to increase the thermal capacity of the gear reducer, including:

- The addition of a shaft-driven fan (⇒ 85)
- The addition of an internal water cooler (⇒ 81)
- The addition of an oil/water cooling system (⇒ 84)
- The addition of an oil/air cooling system (⇒ 84)



### Case 1: Convection Cooling Only

$$P_{wg} = P_{t0.20} \cdot f_v \cdot f_H \cdot f_{ED} \quad \text{or} \quad P_{t0.40} \cdot f_v \cdot f_H \cdot f_{ED}$$

$P_{wg}$  = Calculated Thermal power rating with convection cooling.

$P_{t0.20}$  = Base Thermal power capacity with convection cooling @ 20°C.

$P_{t0.40}$  = Base Thermal power capacity with convection cooling @ 40°C.

$f_v$  = Ambient air velocity factor.

$f_H$  = Installation altitude factor.

$f_{ED}$  = Duty cycle factor

### Case 2: Convection Cooling + Shaft-Driven Fan

$$P_{wg,F} = P_{wg} + P_{tF.20} \cdot f_H \quad \text{or} \quad P_{wg,F} = P_{wg} + P_{tF.40} \cdot f_H$$

$P_{wg,F}$  = Calculated thermal rating with an added shaft fan.

$P_{wg}$  = Calculated Thermal power rating with convection cooling.

$P_{tF.20}$  = Additional thermal power capacity from fan @ 20°C.

$P_{tF.40}$  = Additional thermal power capacity from fan @ 40°C.

$f_H$  = Installation altitude factor.

### Case 3: Convection Cooling + Integrated Water Coil

$$P_{wg,C} = P_{wg} + P_{tC.20}$$

$P_{wg,C}$  = Calculated thermal rating with an added water coil.

$P_{wg}$  = Calculated Thermal power rating with convection cooling.

$P_{tC.20}$  = Additional thermal power capacity from water coil @ 20°C.

### Case 4: Convection Cooling + Shaft-Fan + Integrated Water Coil

$$P_{wg,FC} = P_{wg,F} + P_{tC.20}$$

$P_{wg,FC}$  = Calculated thermal rating with an added shaft, fan and water coil.

$P_{wg,F}$  = Calculated thermal rating with an added shaft fan.

$P_{tC.20}$  = Additional thermal power capacity from water coil @ 20°C.



#### IMPORTANT NOTE



For help in determining the size of the oil cooler or the cooling power capacity ( $Q_{CS1}$  or  $Q_{CS2}$ ) of the oil/air cooler, see separate instructions on ⇒ [84](#).

### Case 5: Convection Cooling + external Oil/Water Cooling System

$$P_{wg,CS1} = P_{wg} + \left( \frac{Q_{CS1}}{(1-\eta_N)} \cdot f_w \right)$$

$P_{wg,CS1}$  = Calculated thermal rating with a water cooling system.

$P_{wg}$  = Thermal power rating with convection cooling.

$Q_{CS1}$  = Cooling power capacity of the oil/water cooling system

$\eta_N$  = Nominal gear reducer efficiency (⇒ [30](#))

$f_w$  = Cooling water temperature factor.

### Case 6: Convection Cooling + external Oil/Air Cooling System

$$P_{wg,CS2} = P_{wg} + \left( \frac{Q_{CS2}}{(1-\eta_N)} \cdot f_L \right)$$

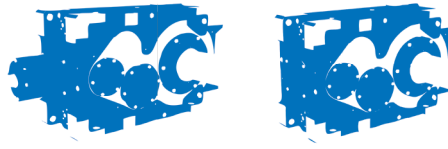
$P_{wg,CS2}$  = Calculated thermal rating with an air cooling system.

$P_{wg}$  = Thermal power rating for convection cooling.

$Q_{CS2}$  = Cooling power capacity of the oil/air cooling system

$\eta_N$  = nominal gear reducer efficiency (⇒ [30](#))

$f_L$  = Fan cooling air temperature factor.



## Radial Overhung Load [ $F_R$ ]

A radial overhung load force ( $F_R$ ) exists when a resultant force is applied to the reducer shaft, by transferring power at a right angle, through an externally mounted power transmission device, such as a belt pulley, chain sprocket, or gear.

The overhung load ratings are...

- to be applied at the midpoint of the shaft (distance x housing edge)
- to be applied without thrust loads
- based upon the least favorable loading direction & least favorable direction of rotation

When calculating the applied radial overhung load force ( $F_{Rvorh}$ ), corresponding power transmission factor ( $f_z$ ) must be taken into account.

$$F_R = \frac{2 \cdot M_2}{d_o} \cdot f_z \cdot f_B \leq F_{Rperm.}$$

- $F_R$  = calculated radial load force on the reducer output shaft.
- $F_{Rperm.}$  = permissible radial overhung load force [kN]
- $M_2$  = output torque of gear reducer [Nm]
- $d_o$  = effective pitch diameter of external power transmission device [mm]
- $f_z$  = power transmission factor
- $f_B$  = operating service factor

Transmission Component	Power Transmission Factor [fz]	Notes
Gear	1.2	17 teeth or less
Gear	1.1	18 teeth or more
Chain sprocket	1.4	13 teeth or less
Chain sprocket	1.2	14 to 20 teeth
Chain sprocket	1.0	21 teeth or more
Timing belt pulley	1.5	---
V-belt pulley	1.7	---
Flat belt pulley	2.5	---

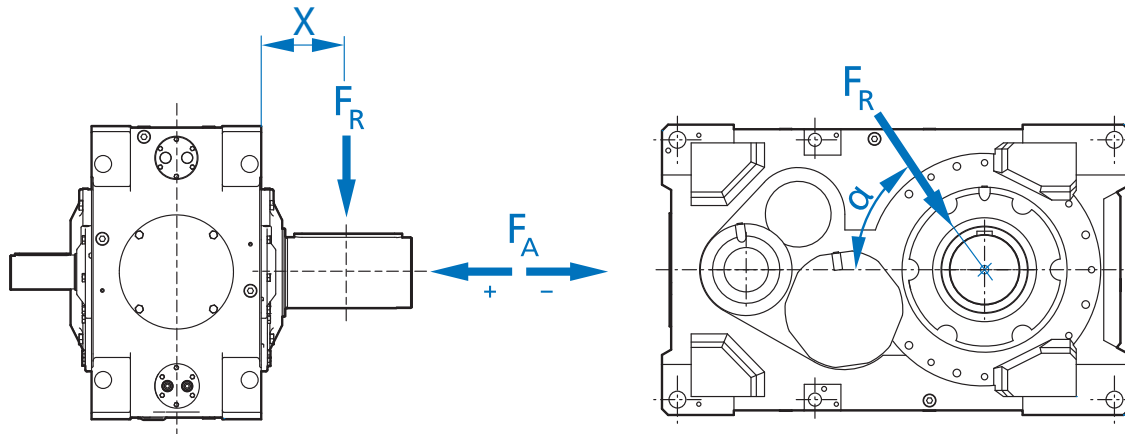
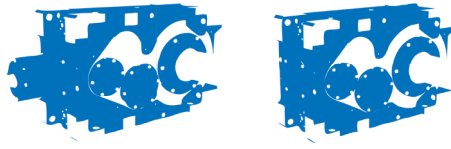
## Axial/Thrust Load [ $F_A$ ]

Loads that are directed towards or away from the gearbox, along the axis of the shaft, are called thrust or axial loads ( $F_A$ ).

Axial force ratings are

- to be applied without radial loads
- based upon the least favorable loading direction and least favorable direction of rotation.

⚠	<b>IMPORTANT NOTES</b>	⚠
<ul style="list-style-type: none"> <li>• Consult NORD DRIVESYSTEMS if the applied radial load force is not at the center of the output shaft or if evaluation of an input shaft overhung load is required.</li> <li>• Both (<math>F_R</math>) and the permissible rated thrust/axial load force (<math>F_A</math>) are based upon an operating service factor condition <math>f_B=1.0</math>.</li> <li>• In cases where the reducer is subjected to high inertia loads, shock load conditions, suddenly applied forces or long periods of operation, (&gt; 5 hours/day) an appropriate operating service factor <math>f_B &gt; 1</math> must be considered.</li> <li>• When checking applied radial/axial load forces the appropriate service factor must be applied.</li> <li>• Please consult NORD if an overhung load and axial load are applied simultaneously.</li> <li>• Higher radial and axial forces may be possible. For a precise calculation, please state the direction and location of the applied force/s, the desired rotation of the shaft, and the required operating life.</li> </ul>		



### Values for overhanging loads

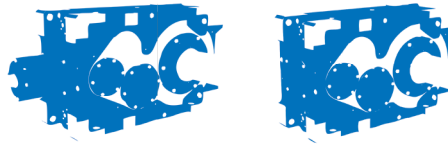
Unit Type	x [mm]	$F_{rmax}$ [kN]	$F_{rmax}$ [lbf]
SK 5.07	125	30	6,700
SK 6.07	125	30	6,700
SK 7.07	147	50	11,200
SK 8.07	147	50	11,200
SK 9.07	195	80	18,000
SK 10.07	195	80	18,000
SK 11.07	210	120	27,000
SK 12.07	235	150	33,700
SK 13.07	283	160	36,000
SK 14.07	283	160	36,000
SK 15.07	275	180	40,500

The table shows the permissible radial transition loads under the following conditions:

- Standard bearings and standard housing material
- $F_{rmax}$  for M1 / M3 installation position, foot-mounted on a dry and grease-free base
- Radial force applied at the centre of the shaft journal (Distance "X")
- The angle "α" is the most unfavourable
- The operating factor of the gear unit is 1.3 or larger
- No additional axial loads

Please contact NORD for:

- Deviating installation positions
- Permissible axial forces
- Permissible loads for reinforced bearings
- Permissible loads for drive shafts



## Efficiency for Calculations $\eta_N$

The stated efficiency is only to be used for calculation purposes and does not correspond to the actual efficiency of the gear unit. The factor applies to a normal oil level and the installation positions M1 or M3. An increased oil level causes reduced efficiency.

$\eta_N$	Calculated Efficiency			
	SK..207	SK..307	SK..407	SK..507
	0.975	0.960	0.955	0.935

## Input factors $f_M$ (Primary Mover)

Additional torque fluctuations due to the type of input machinery are taken into account with the input factor.

$f_M$	Type of Prime Mover		
	Electric motors Hydro motors Turbines	Piston machines 4-6 cylinder. Degree of inequality 1: 100 to 1 : 200	Piston machines 1 - 3 cylinder. Degree of inequality 1: 100
	1	1.25	1.5

## Start-up factors $f_{AN}$

The start-up factor must be taken into account if the torque applied to the drive during start-up is not known. If the ratio between the start-up torque and the input torque is known, this may be used in the calculation.

$f_{AN}$	Type of drive running					
	Direct drive	Soft start	Frequency inverter	Star/Delta	Fluid coupling	Fluid coupling with delay chamber
	3	1.8	1.5...2.0 <sup>1)</sup>	1.3	2	1.6

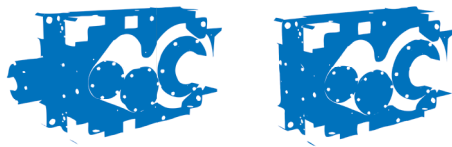
<sup>1)</sup> Depending on the start-up ramp setting

## Peak load factor with reversing factor $f_s$

The peak load factor takes into account the frequency and direction of peak loads.

$f_s$	Direction of load	Load peaks per hour					
		1 - 5	6 - 20	21 - 40	41 - 80	81 - 160	> 160
	one-directional	0.50	0.63	0.70	0.79	0.88	1.05
	reversible	0.70	0.87	0.97	1.09	1.22	1.46





### Installation altitude factors $f_H$

The installation altitude factor takes into account the lower heat dissipation of the gearbox at higher altitudes

$f_H$	Installation altitude above sea level				
	0m / 0 ft	1,000 m / 3,280 ft	2,000 m / 6,560 ft	3,000 m / 9,840 ft	4,000 m / 13,120 ft
	1.00	0.96	0.91	0.87	0.83

### Switch-on time factor $f_{ED}$

With lower switch-on times, the heat generated by the gearbox decreases.

$f_{ED}$	Switch-on time				
	100 %	80 %	60 %	40 %	20 %
	1.00	1.08	1.19	1.37	1.75

### Cooling water temperature factor $f_w$

Takes into account the possibility of heat dissipation at various cooling water temperatures.

$f_w$	Cooling water temperatur							
	15°C (59°F)	20°C (68°F)	25°C (77°F)	30°C (86°F)	35°C (95°F)	40°C (104°F)	45°C (113°F)	50°C (122°F)
	1,17	1,00	0,83	0,67	0,50	0,33	0,17	0,00

### Cooling air temperature factor $f_L$

Takes into account the possibility of heat dissipation at various cooling air temperatures.

$f_L$	Air temperature at fan inlet							
	15°C (59°F)	20°C (68°F)	25°C (77°F)	30°C (86°F)	35°C (95°F)	40°C (104°F)	45°C (113°F)	50°C (122°F)
	1,08	1,00	0,93	0,86	0,79	0,72	0,65	0,57



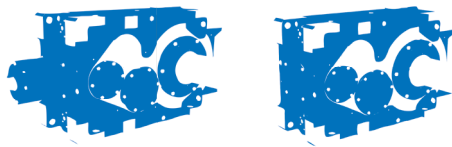
## Service Factors $f_B$ by applications

The operating factor provides the minimum recommended service factor for various applications and takes into account the usual conditions for the particular application listed. If the operating service factor is known for the application, this should be used. If no values are available for the application, refer to the tables below or consult with NORD DRIVESYSTEMS to determine a suitable service factor.

Service Factors - $f_B$			
Application	Load Duration		
	up to 5 hrs per day	5 - 10 hrs per day	over 10 hrs per day
<b>HOISTS</b>			
Drehwerke	1.00	1.40	1.80
FEM 1001	1.00	1.10	1.40
Travelling drives	1.60	1.80	2.00
Luffing gear	1.00	1.20	1.60
<b>PUMPS</b>			
Centrifugal pumps	1.15	1.35	1.45
Piston pumps (1 cylinder)	1.35	1.50	1.80
Piston pumps (multiple cylinders)	1.20	1.40	1.50
Screw pumps	1.25	1.25	1.50
Rotary pumps (gear pumps, vane pumps, rotary piston pumps)	1.25	1.25	1.25
<b>CABLE RAILWAYS</b>			
Materials cableways	1.40	1.40	1.50
Pendulum cableways	1.60	1.60	1.80
Ski tows	1.30	1.30	1.40
Circulating cableways	1.40	1.40	1.60
<b>AGITATORS AND MIXERS</b>			
Agitators for liquids	1.00	1.25	1.50
Agitators for liquids (with suspended solids)	1.25	1.25	1.50
Agitators for liquids (variable density)	1.20	1.50	1.65
Agitators for solid media (uneven material)	1.40	1.60	1.70
Agitators for solid media (even material)	1.35	1.35	1.40
Concrete mixer	1.50	1.50	1.75
Kneading / Conche	1.50	1.50	1.75
Compounder	1.80	1.80	1.80
Aerators	2.00	2.00	2.00

Service Factors - $f_B$			
Application	Load Duration		
	up to 5 hrs per day	5 - 10 hrs per day	over 10 hrs per day
<b>CONVEYOR PLANT</b>			
Bucket elevator (e.g. grain, uniform material)	1.40	1.40	1.50
Bucket elevators (e.g. minerals, uneven material)	1.75	1.75	2.00
Winches	1.40	1.60	1.60
Screw feeder	1.15	1.25	1.50
Belt conveyors $\leq 100$ kW	1.15	1.25	1.40
Belt conveyors $> 100$ kW	1.15	1.30	1.50
Goods lifts *	1.20	1.20	1.50
Passenger lifts *	1.50	1.50	1.80
Plate or chain conveyor	1.75	1.75	2.00
Swinging or vibrating conveyors	1.75	1.75	2.00
Escalators	1.25	1.25	1.55
<b>VENTILATORS</b>			
Fan (axial and radial)	1.50	1.50	1.50
Cooling Tower Fan	2.00	2.00	2.00
<b>COMPRESSORS</b>			
Piston compressors	1.80	1.80	1.90
Centrifugal compressors	1.40	1.40	1.50
Screw compressors	1.50	1.50	1.75
<b>SCREENS</b>			
Rotary screens	1.25	1.25	1.50
Vibrating screens (shaker)	1.55	1.75	2.00
Screens (generally)	1.25	1.25	1.50
<b>BAGGER</b>			
Tilting drives	1.30	1.30	1.50
Crawler vehicles	1.20	1.60	1.80
Bucket wheel drives	2.20	2.20	2.20
Cutting heads	2.20	2.20	2.20

\* Select according to the maximum torque



Service Factors - $f_B$			
Application	Load Duration		
	up to 5 hrs per day	5 - 10 hrs per day	over 10 hrs per day
<b>MILLS AND DRUMS</b>			
Cooling and drying drums	1.50	1.50	1.60
Tube mills	2.00	2.00	2.00
Ball mills	2.00	2.00	2.00
Hammer mills	1.75	1.75	2.00
Crushers / Shredders	1.55	1.75	2.00
Mills	1.75	1.75	1.75
Chopper	1.55	1.75	2.00
<b>EXTRUDER</b>			
Extruder - plastic	1.40	1.40	1.60
Extruder - rubber	1.50	1.50	1.80
<b>CALENDER</b>			
Calender - paper	1.80	1.80	2.00
Calender - rubber	1.65	1.65	1.65

Service Factors - $f_B$			
Application	Load Duration		
	up to 5 hrs per day	5 - 10 hrs per day	over 10 hrs per day
<b>ROLLERS</b>			
Rollers (paper-, plastic and rubber processing)	1.80	1.80	2.00
Sheet metal / slab rolling reversing	2.50	2.50	2.50
Rollers (Wire, Thin Sheet, Plate)	1.80	1.80	1.80
Cutters	1.55	1.75	2.00
Metal sheet coilers	1.60	1.60	1.75
Straighteners	2.50	2.70	3.00
General steel processing	2.00	2.00	2.00
<b>OTHERS</b>			
Peelers	2.00	2.00	2.00
General	2.00	2.00	2.00
Presses (Pulp- and paper processing)	1.75	1.75	1.75
Frequency Inverters / generators	1.80	1.80	2.00

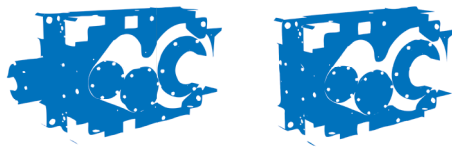


## Service Factors $f_B$ by industry

Service Factors - $f_B$			
Industry	Load Duration		
	up to 5 hrs per day	5 - 10 hrs per day	over 10 hrs per day
<b>STEEL / METAL PROCESSING</b>			
Sheet metal / slab rolling reversing	2.50	2.50	2.50
Rollers (Wire, Thin Sheet, Plate)	1.80	1.80	1.80
Cutters	1.55	1.75	2.00
Metal sheet coilers	1.60	1.60	1.75
Straighteners	2.50	2.70	3.00
General steel processing	2.00	2.00	2.00
<b>MINING / QUARRYING</b>			
<b>MINERALS / CEMENT</b>			
Crushers / Shredders	1.55	1.75	2.00
Vibrating screens (shaker)	1.55	1.75	2.00
Screens (generally)	1.25	1.25	1.50
Bucket wheel drives	2.20	2.20	2.20
Cutting heads	2.20	2.20	2.20
Hammer mills	1.75	1.75	2.00
Slewing gear	1.00	1.40	1.80
Concrete mixer	1.50	1.50	1.75
Cooling and drying drums	1.50	1.50	1.60
Tube mills	2.00	2.00	2.00
Ball mills	2.00	2.00	2.00
Rotary screens	1.25	1.25	1.50
Crawler vehicles	1.20	1.60	1.80
Belt conveyors $\leq$ 100 kW	1.15	1.25	1.40
Belt conveyors $>$ 100 kW	1.15	1.30	1.50
Winches	1.40	1.60	1.60
Swinging or vibrating conveyors	1.75	1.75	2.00
Bucket elevators (e.g. minerals, uneven material)	1.75	1.75	2.00
Screw feeder	1.15	1.25	1.50
Agitators for solid media (uneven material)	1.40	1.60	1.70
Agitators for solid media (even material)	1.35	1.35	1.40
<b>CHEMICAL / RUBBER</b>			
<b>PLASTIC</b>			
Extruder - plastic	1.40	1.40	1.60
Extruder - rubber	1.50	1.50	1.80
Compounder	1.80	1.80	1.80
Calender - rubber	1.65	1.65	1.65
Fan (axial and radial)	1.50	1.50	1.50
Mills	1.75	1.75	1.75
Rollers (paper-, plastic and rubber processing)	1.80	1.80	2.00
Agitators for solid media (uneven material)	1.40	1.60	1.70
Agitators for solid media (even material)	1.35	1.35	1.40

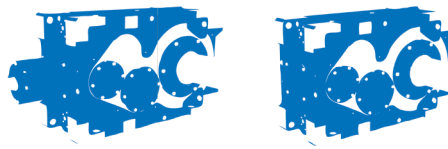
Service Factors - $f_B$			
Industry	Load Duration		
	up to 5 hrs per day	5 - 10 hrs per day	over 10 hrs per day
<b>AGRIC / TIMBER / FISHERY</b>			
Plate or chain conveyor	1.75	1.75	2.00
General	2.00	2.00	2.00
<b>BEVERAGE / FOOD / DAIRY</b>			
Peelers	2.00	2.00	2.00
Mills	1.75	1.75	1.75
Kneading / Conche	1.50	1.50	1.75
Bucket elevator (e.g. grain, uniform material)	1.40	1.40	1.50
General	2.00	2.00	2.00
<b>PULP / PAPER / SLURRY</b>			
Calender - paper	1.80	1.80	2.00
Cooling and drying drums	1.50	1.50	1.60
Rollers (paper-, plastic and rubber processing)	1.80	1.80	2.00
Presses (Pulp- and paper processing)	1.75	1.75	1.75
General	2.00	2.00	2.00
<b>WOOD PROCESSING</b>			
Plate or chain conveyor	1.75	1.75	2.00
General	2.00	2.00	2.00
<b>COM. WASHERS / DRYERS</b>			
Cooling and drying drums	1.50	1.50	1.60
General	2.00	2.00	2.00
<b>HOISTS</b>			
Slewing gear	1.00	1.40	1.80
FEM 1001	1.00	1.10	1.40
Tilting drives	1.30	1.30	1.50
Luffing gear	1.00	1.20	1.60
Travelling drives	1.60	1.80	2.00
<b>ENTERTAIN / THEATRE</b>			
Goods lifts *	1.20	1.20	1.50
Passenger lifts *	1.50	1.50	1.80
Escalators	1.25	1.25	1.55

\* Select according to the maximum torque



Service Factors - $f_B$			
Industry	Load Duration		
	up to 5 hrs per day	5 - 10 hrs per day	over 10 hrs per day
<b>WATER / WASTE WATER</b>			
Screw pumps	1.25	1.25	1.50
Agitators for liquids	1.00	1.25	1.50
Agitators for liquids (with suspended solids)	1.25	1.25	1.50
Agitators for liquids (variable density)	1.20	1.50	1.65
Aerators	2.00	2.00	2.00
Centrifugal pumps	1.15	1.35	1.45
Rotary pumps (gear pumps, vane pumps, rotary piston pumps)	1.25	1.25	1.25
Piston pumps (1 cylinder)	1.35	1.50	1.80
Piston pumps (multiple cylinders)	1.20	1.40	1.50
<b>POWER TRANSMISSION</b>			
Cooling Tower Fan	2.00	2.00	2.00
Frequency Inverters / generators	1.80	1.80	2.00

Service Factors - $f_B$			
Industry	Load Duration		
	up to 5 hrs per day	5 - 10 hrs per day	over 10 hrs per day
<b>RECREATION/ SPORTS</b>			
Materials cableways	1.40	1.40	1.50
Pendulum cableways	1.60	1.60	1.80
Ski tows	1.30	1.30	1.40
Circulating cableways	1.40	1.40	1.60
<b>ENERGY / SOLAR / BIOGAS</b>			
Piston compressors	1.80	1.80	1.90
Centrifugal compressors	1.40	1.40	1.50
Screw compressors	1.50	1.50	1.75
<b>RECYCLING</b>			
Crushers / Shredders	1.55	1.75	2.00
Mills	1.75	1.75	1.75
Chopper	1.55	1.75	2.00



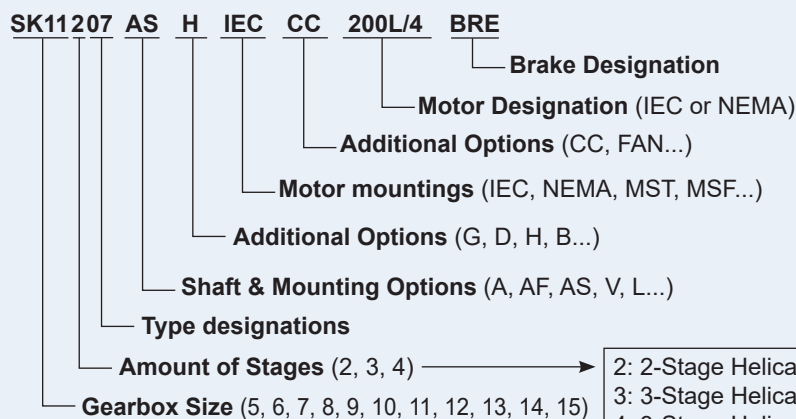
## Nomenclature

Parallel gear units		Helical-bevel Gear Unit		Output Torque $M_{2max}$ [kNm]
2-stufig	3-stufig	3-stufig	4-stufig	
SK 5207	SK 5307	SK 5407	SK 5507	15
SK 6207	SK 6307	SK 6407	SK 6507	20
SK 7207	SK 7307	SK 7407	SK 7507	25
SK 8207	SK 8307	SK 8407	SK 8507	30
SK 9207	SK 9307	SK 9407	SK 9507	40
SK 10207	SK 10307	SK 10407	SK 10507	50
SK 11207	SK 11307	SK 11407	SK 11507	75
SK 12207	SK 12307	SK 12407	SK 12507	110
SK 13207	SK 13307	SK 13407	SK 13507	150
SK 14207	SK 14307	SK 14407	SK 14507	190
SK 15207	SK 15307	SK 15407	SK 15507	250

## Combinations with parallel and bevel gear units

Parallel gear units		Bevel gear units		Output Torque $M_{2max}$ [kNm]
Nominal Ratio $i_N$	5-stage	Nominal Ratio $i_N$	6-stage	
355 - 1600	SK 5307 / 3282	450 - 1600	SK 5307 / 9032.1	15
400 - 1600	SK 6307 / 3282	500 - 1600	SK 6307 / 9032.1	20
355 - 1600	SK 7307 / 4282	450 - 1600	SK 7307 / 9032.1	25
400 - 1600	SK 8307 / 4282	500 - 1600	SK 8307 / 9032.1	30
400 - 1600	SK 9307 / 5282	450 - 1600	SK 9307 / 9042.1	40
450 - 1600	SK 10307 / 5282	500 - 1600	SK 10307 / 9042.1	50
180 - 1600	SK 11307 / 6282	200 - 1600	SK 11307 / 9052.1	75
125 - 160	SK 11307 / 7282	200 - 1600	SK 11307 / 9052.1	75
180 - 1600	SK 12307 / 7282	200 - 1600	SK 12307 / 9072.1	110
125 - 160	SK 12307 / 8282	200 - 1600	SK 12307 / 9072.1	110
200 - 1600	SK 13307 / 7282	315 - 1600	SK 13307 / 9072.1	150
125 - 180	SK 13307 / 9282	180 - 280	SK 13307 / 9082.1	150
160 - 1600	SK 14307 / 9282	450 - 1600	SK 14307 / 9082.1	190
250 - 1600	SK 15307 / 8282	280 - 1600	SK 15307 / 9082.1	250
180 - 200	SK 15307 / 9282	180 - 250	SK 15307 / 9086.1	250
125 - 160	SK 15307 / 10282.1	180 - 250	SK 15307 / 9086.1	250

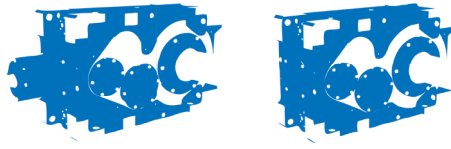
## Ordering Example



- 2: 2-Stage Helical gear unit
- 3: 3-Stage Helical gear unit
- 4: 3-Stage Helical-bevel gear unit
- 5: 4-Stage Helical-bevel gear unit

## Example Explanation

Case Size 11 Gearbox with a 2-Stage Helical gear unit, Hollow Shaft with Shrink disc and Cover, an IEC gearbox type with a Cooling Coil and a 200L/4 Motor that is provided with a brake.

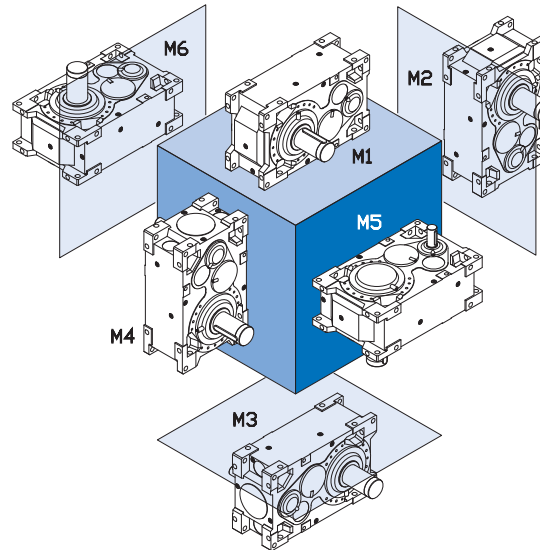


## Mounting Position System

For gear units and gear motors, NORD DRIVESYSTEMS specifies between six installation positions from M1 to M6 as shown in the following diagrams. The M1 and M3 mounting surfaces vary between the 2 and 3 stage parallel products.

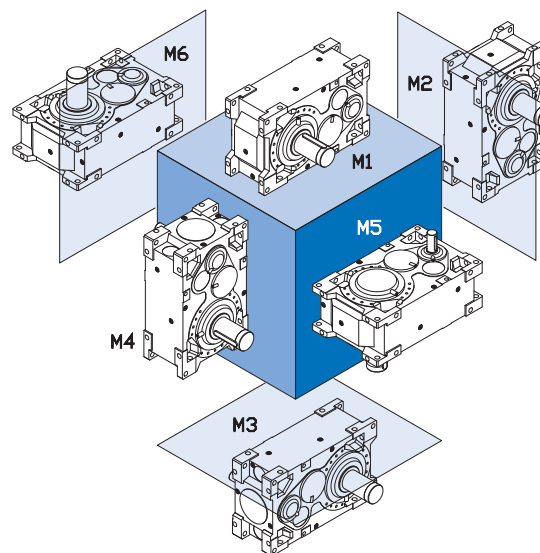
### MAXXDRIVE™ 2-Stage Parallel Gear Unit

- M1** 2-Stage unit standard installation
- M2** Output shaft located on upper end of gearbox
- M3** 3-Stage unit standard installation
- M4** Output shaft located on lower end of gearbox
- M5** Output shaft facing downwards
- M6** Output shaft facing upwards



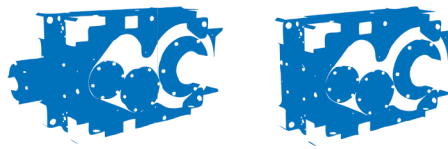
### MAXXDRIVE™ 3-Stage Parallel Gear Unit

- M1** 2-Stage unit standard installation
- M2** Output shaft located on upper end of gearbox
- M3** 3-stage unit standard installation
- M4** Output shaft located on lower end of gearbox
- M5** Output shaft facing downwards
- M6** Output shaft facing upwards



### Pivoted and Variable Mounting Positions

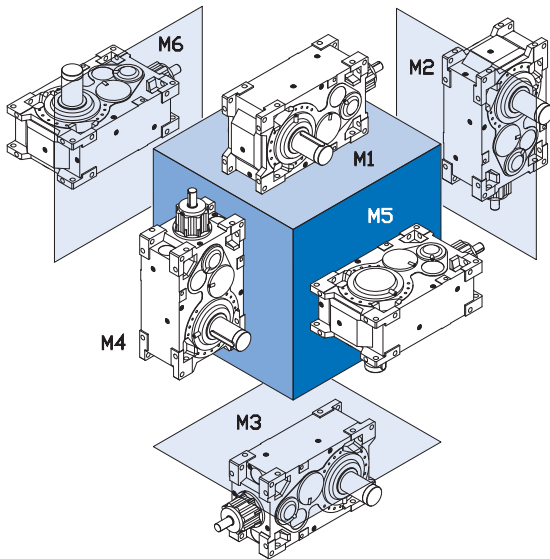
If you have any mounting requirements that vary from the standard positions, please consult NORD DRIVESYSTEMS.



## Mounting Position System

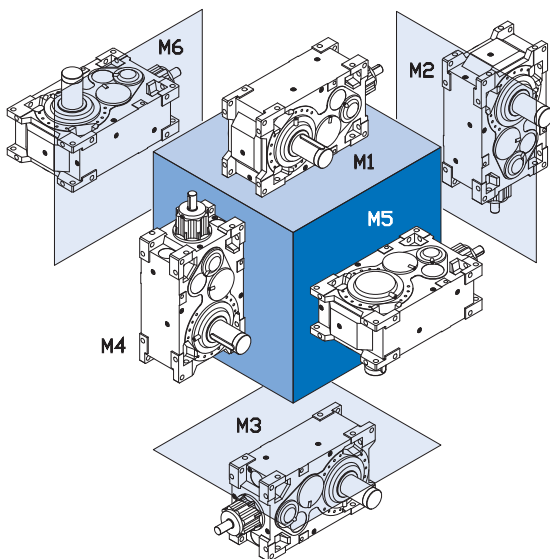
For gear units and gear motors, NORD DRIVESYSTEMS specifies between six installation positions from M1 to M6 as shown in the following diagrams. The M1 and M3 mounting surfaces vary between the 3 and 4 stage units within the right-angle products.

### MAXXDRIVE™ 3-Stage Bevel Gear Unit



- M1** 3-Stage unit standard Installation
- M2** Output shaft located on upper end of gearbox
- M3** 4-Stage unit standard Installation
- M4** Output shaft located on lower end of gearbox
- M5** Output shaft facing downwards
- M6** Output shaft facing upwards

### MAXXDRIVE™ 4-Stage Bevel Gear Unit

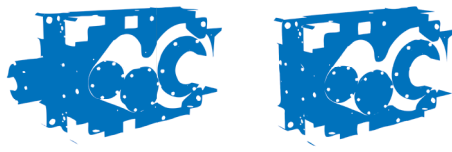


- M1** 3-Stage unit standard Installation
- M2** Output shaft located on upper end of gearbox
- M3** 4-Stage unit standard installation
- M4** Output shaft located on lower end of gearbox
- M5** Output shaft facing downwards
- M6** Output shaft facing upwards

### Pivoted and Variable Mounting Positions

If you have any mounting requirements that vary from the standard positions, please consult NORD DRIVESYSTEMS.

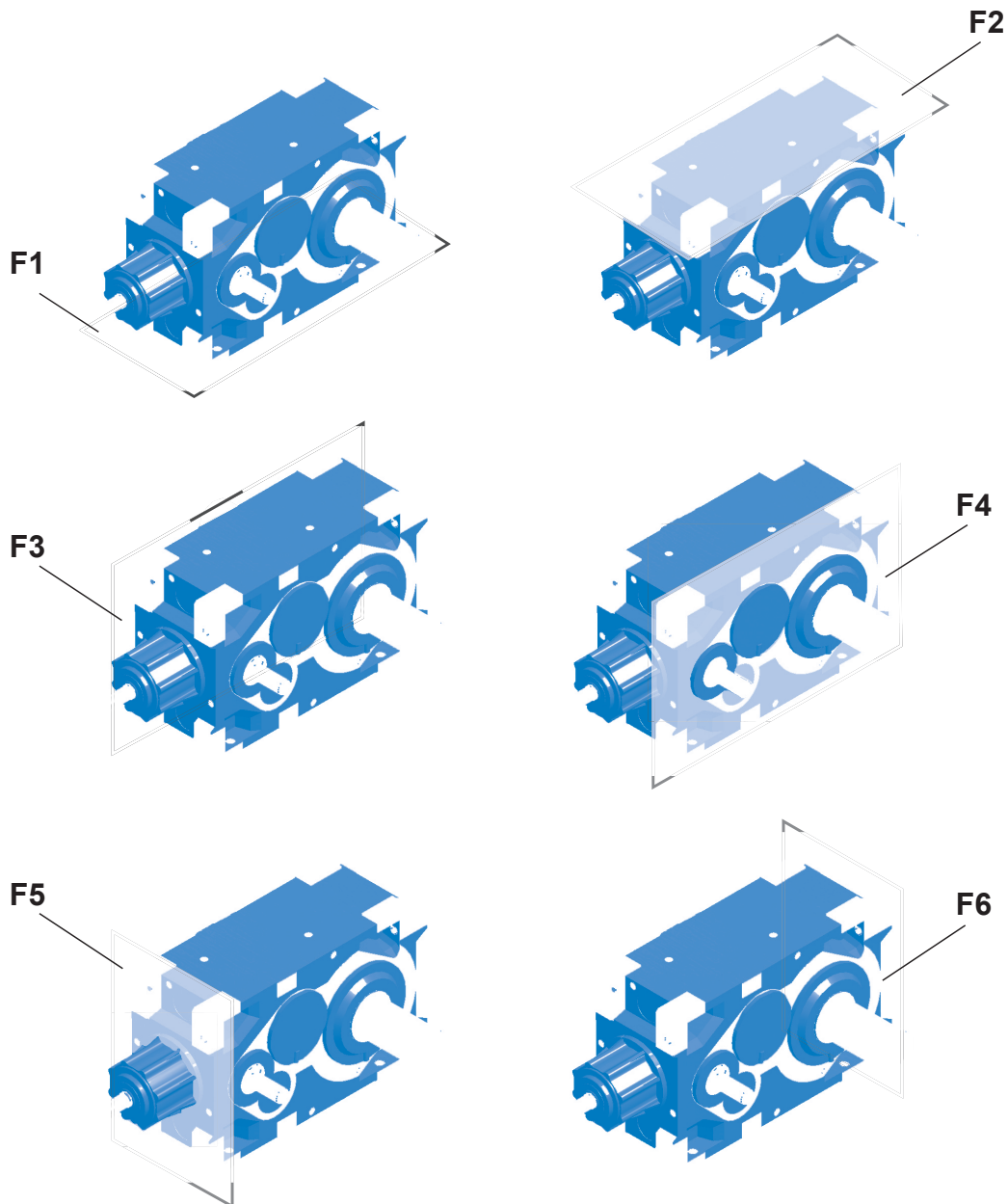


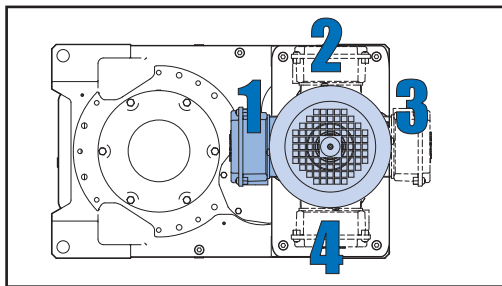
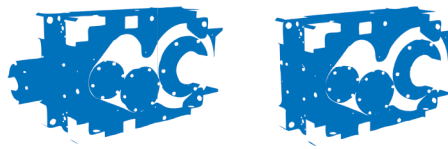


## Mounting Surfaces

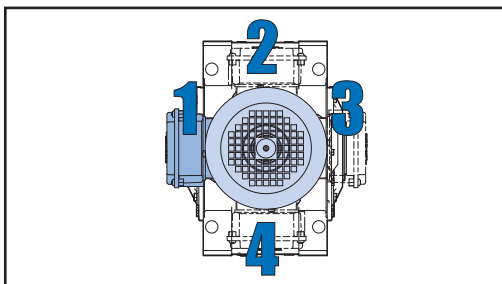
The mounting surface specifies the side on which the gear unit is fixed. Six mounting surfaces are available based on the diagrams below (F1 - F6).

In the following diagram, the mounting surfaces for mounting position M1 are indicated.

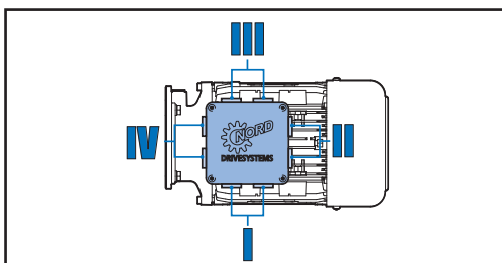




Parallel Gear Unit Terminal Box Positions \*



Right-Angle Gear Unit Terminal Box Positions \*

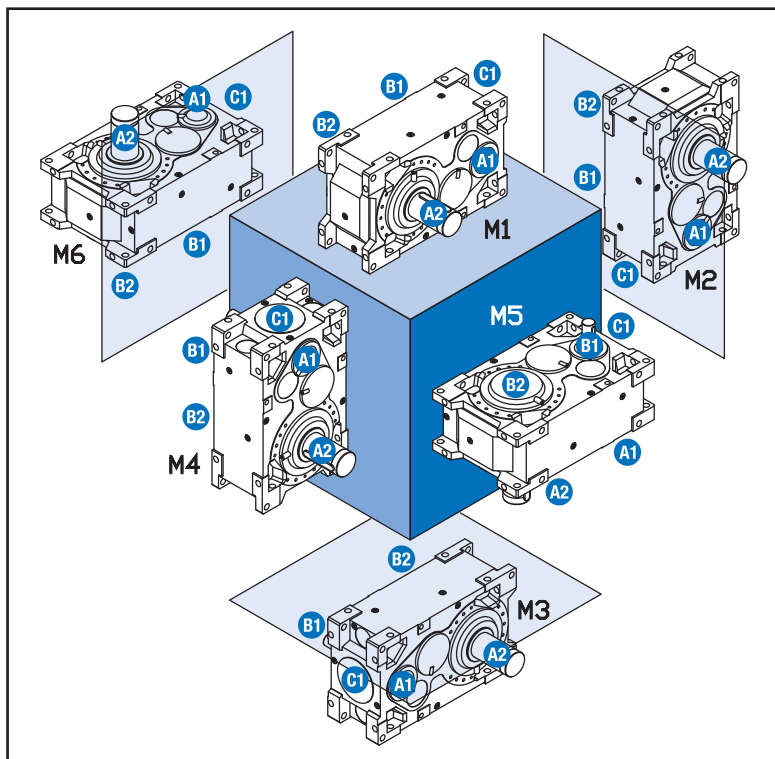


Cable Entry Positions \*

\* Example (only for installation M1)

## Mounting Configuration

NORD provides gearmotors, speed reducers and motors that can be configured very differently to suit customer needs. When ordering, it is beneficial that the drive be specified exactly the way you want it delivered.



Mounting Configuration M1 - M6  
Shaft Configuration A1 - C1 Position of Attachments A1 - C1

## Shaft Configuration

The positions of the required shaft outlets are determined by viewing the gearbox from above in a default horizontal mounting position. M1 is the default (standard) for 2-stage parallel and 3-stage helical-bevel gear units. Mounting position M3 is the default (standard) for 3-stage gear parallel and 4-stage helical-bevel units.

## Position of Attachments

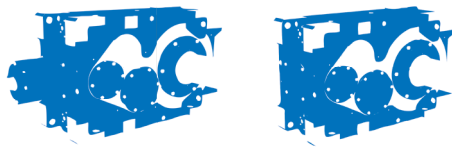
The positions of attached elements such as backstops, fans, flange-mounted pumps, drive flanges, agitator flanges etc. are determined according to the same principle as the shaft positions.

## Terminal box and cable entry

In the standard position, the terminal box is on the left hand side looking at the motor from the rear

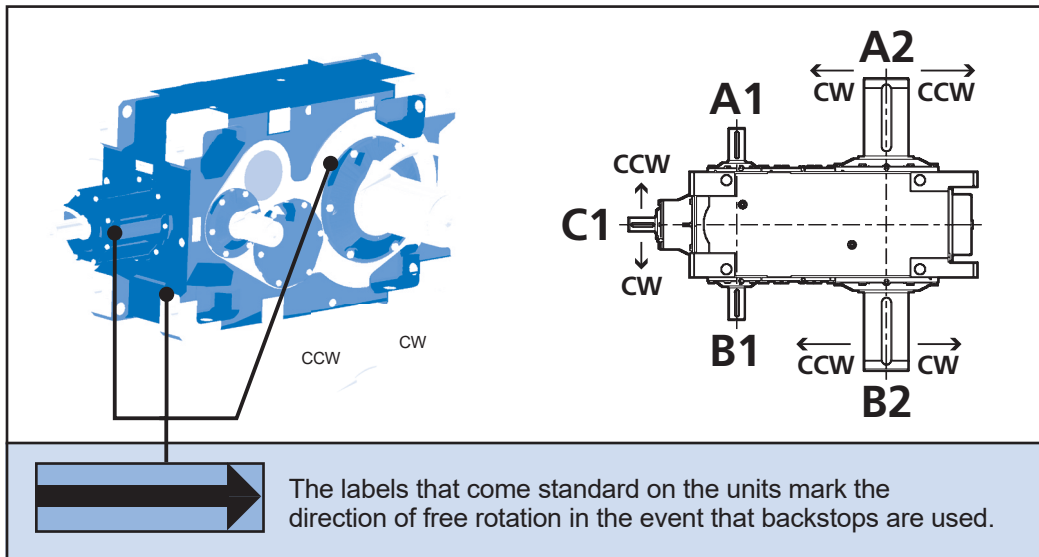
If another arrangement is required, please express during ordering. Whenever ordering the cable entry in position IV please request information from NORD DRIVESYSTEMS.

In brake motors between frame size 63 to 132, the cable entry is only available in positions I and III.



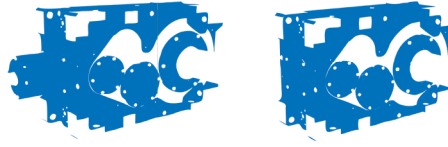
## Rotation Direction of Input/Output shafts

The direction of rotation for the gearbox shafts are dependant upon the installation position and the shaft configuration.



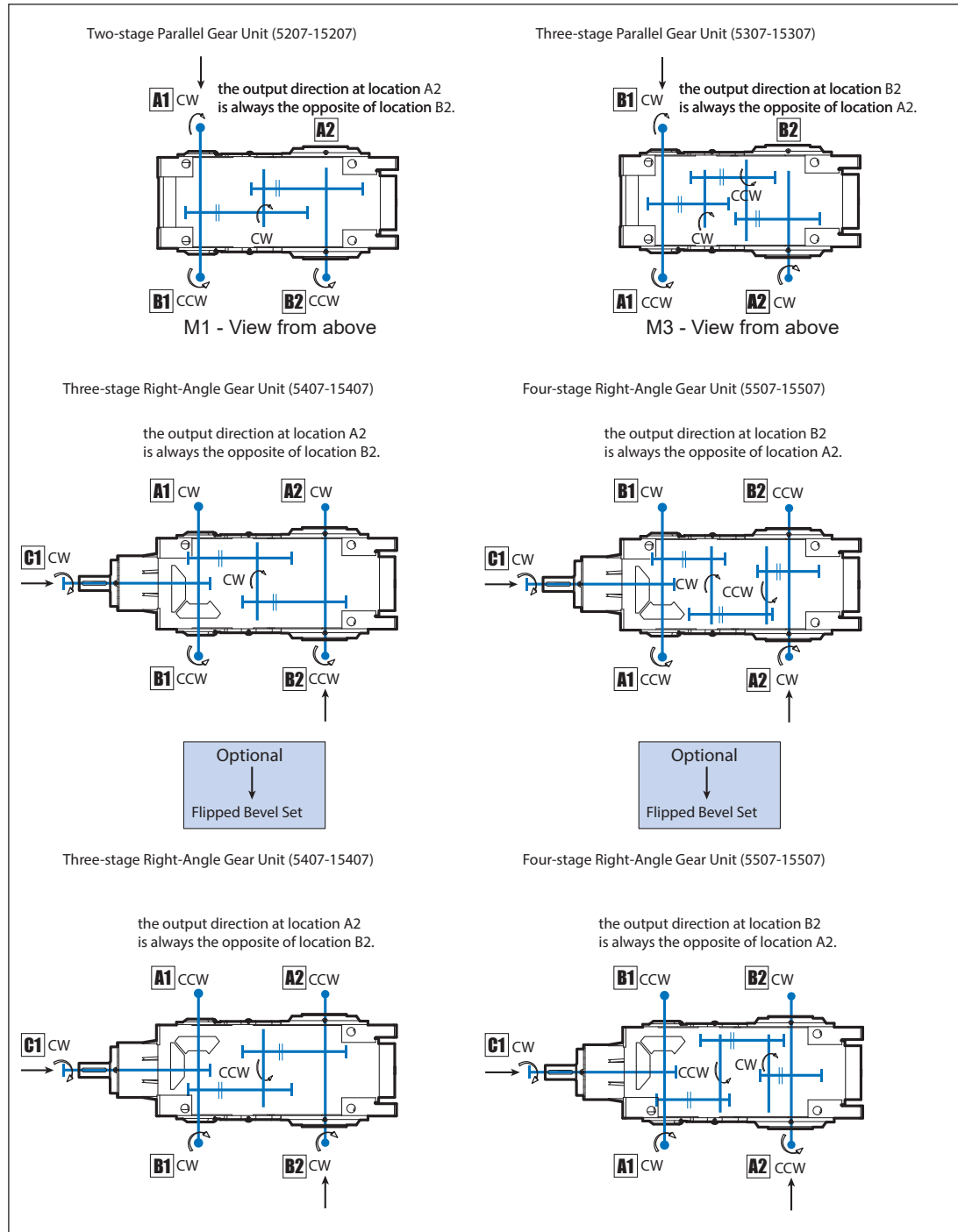
Installation position <sup>1)</sup> M1 Direction of view <sup>1)</sup> F2		Rotation Direction of Input			Rotation Direction of Output	
Shaft Positions <sup>1)</sup> =>		C1	A1	B1	A2	B2
SK ..207	or	---	CW	CCW	CW	CCW
		---	CCW	CW	CCW	CW
SK ..307	or	---	CW	CCW	CCW	CW
		---	CCW	CW	CW	CCW
SK ..407 (Standard)	or	CW	CW	CCW / R	CW	CCW
		CCW	CCW	CW / R	CCW	CW
SK ..407 (Optional)	or	CW	CCW / R	CW	CCW	CW
		CCW	CW / R	CCW	CW	CCW
SK ..507 (Standard)	or	CW	CCW / R	CW	CW	CCW
		CCW	CW / R	CCW	CCW	CW
SK ..507 (Optional)	or	CW	CW	CCW / R	CCW	CW
		CCW	CCW	CW / R	CW	CCW

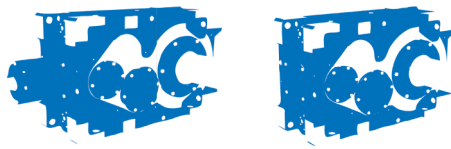
<sup>1)</sup> Please see ⇨ 37 - 38



## Gear Stage Illustration for Right-Angle MAXXDRIVE™ units

Below is the standard rotation direction of both the Parallel and Right-Angled units. By flipping the bevel gearset on our right-angle gear units, the rotation direction may be reversed.





## Couplings (input and output)

Upon request, NORD DRIVESYSTEMS can provide a variety of coupling types and styles. In addition to various flexible, fail-safe couplings (Jaw coupling / Bolt coupling) soft-start couplings (fluid couplings), and safety couplings can be supplied. As output couplings, short length elastic fail-safe bolt couplings can be supplied, as well as gear couplings which can also span greater distances. Please contact us if you have special requirements for input or output couplings.

- Common input couplings include: flexible, jaw-style, fluid couplings (to help control start-up), safety couplings or torque-overload couplings.
- Common output couplings include: elastic bolt couplings (for shorter span lengths), flange couplings or gear couplings (for larger span lengths).

## Sealing systems

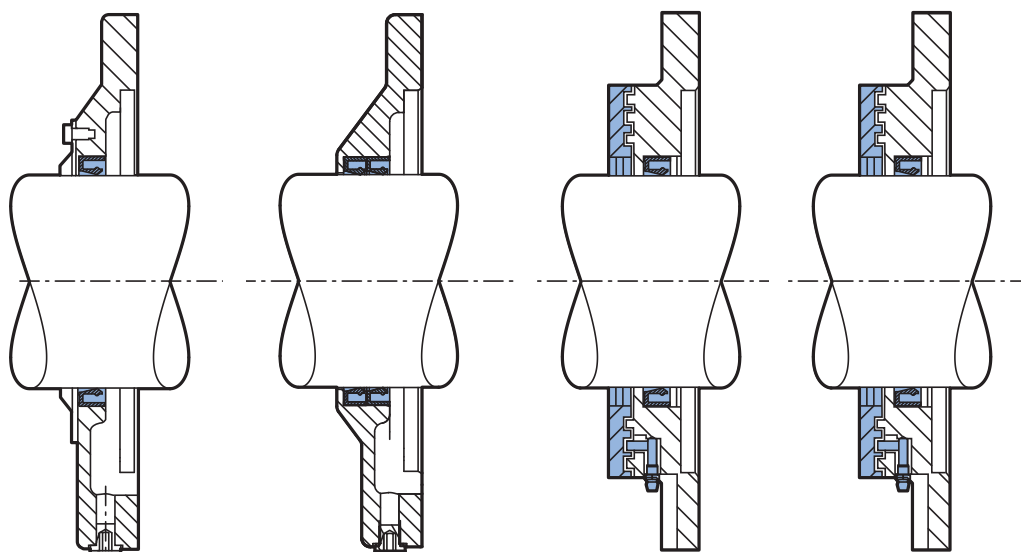
As standard, our gear units are equipped with an efficient sealing system that is suitable for many environments and their ambient conditions. Depending on the case size and gear unit type, the gearbox is supplied with one radial shaft seal (FKM) and gamma ring or a cartridge seal on the drive input shaft and two radial shaft seals on the output shaft. The seal material is NBR (Buna N), or FKM (Fluoroelastomer) optionally. For operating oil temperatures (oil temperatures) above 85°C, FKM seals should be used. The optional shaft sealing rings can be supplied with or without a dust protection collar.

The choice of optimum sealing systems depends on the operating and ambient conditions, as well as the specified applications gear unit requirements. Please contact NORD DRIVESYSTEMS with any questions regarding your sealing system selections.

The following output seal designs are available:

- Two shaft sealing rings (standard)
- Taconite seals
- Gamma ring seals (without illustration)

Please contact us if sealing systems other than those listed here are required.



**Standard (Input)**

(one sealing ring & a gamma ring seal)

**Standard (Output)**

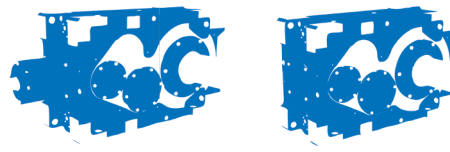
(two shaft sealing rings)

**Taconite F (Input)**

(Grease-Lubricated labyrinth seal; can be re-lubricated)

**Taconite F (Output)**

(Grease-filled outer shaft sealing ring; can be re-lubricated)



## Lubrication systems

NORD DRIVESYSTEMS delivers all Industrial Gear Units without oil to eliminate unnecessary shipping costs. NORD DRIVESYSTEMS recommends only high quality gear oils that provide excellent wear and load bearing protection, corrosion protection and aging resistance. The lubricant must also contain anti-wear and/or extreme pressure additives to provide adequate protection while operating in a mixed friction regime (or when partial to full boundary lubrication conditions exist).

As a minimum, the lubricating oil should also meet the following criteria:

- The gear oil must exhibit high film strength in order to handle high torque, shock loads, and start-up conditions.
- The gear oil should have the ability to operate at moderate sump temperatures without losing viscosity or thickness. Sump temperatures should be allowed to approach 80°C-85°C (176°F-185°F) for mineral oil or 105°C (221°F) for synthetic oil
- The gear oil should have a minimum viscosity index of 95 or higher.
- FZG scuffing load test result > Stage 12 (per DIN 51354-2).
- FAG-FE-8 roller bearing test should result in roller element wear < 30 mg and cage wear less than 100 mg (per DIN51819-3).
- Compatibility with standard elastomeric sealing materials must also be assured.

## Lubrication Types

The lubricant is an element of design and often an optimal lubricant viscosity or type is recommended by NORD on the basis of the operating and ambient conditions and the type or gear unit being specified.

While the MAXXDRIVE™ gear units are designed to be able to operate with high performance mineral oil, NORD strongly recommends the use of synthetic oil.

Only CLP (DIN 51517- 3) quality oils are approved for the MAXXDRIVE™ gear units. A list of possible oils meeting the general CLP requirements (found on page ⇨ 48), are categorized in the following table.

<b>CLP</b>	High-performance mineral oil (an EP additive is recommended by NORD).
<b>CLP HC</b>	Synthetic polyalphaolefin oil
<b>CLP PG</b>	Synthetic polyglycol oil
<b>CLP HC H1 or CLP PG H1</b>	Food-grade oil ( must qualify as an NSF-H1 oil per FDA 212 CFR 178.3570).
<b>E</b>	Bio-degradable oil

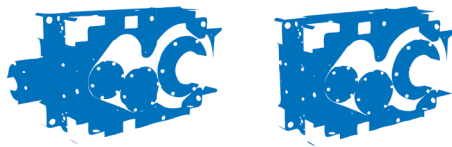
⚠	<b>IMPORTANT NOTE</b>	⚠
NORD will determine the type and viscosity of the lubricant for each specific order. This will be entered in the order confirmation and on the reducer nameplate.		

## Lubrication Methods

MAXXDRIVE™ gear units that are mounted in a horizontal position are intended to be oil splash lubricated. Those units mounted in a vertical or standing position may utilize bath (immersion) lubrication. In many instances forced lubrication or pressure lubrication offers advantages as well.

### 1. Splash Lubrication

The gearbox oil is kept at a relatively low level. The gearing and bearing components that do not dip into the oil are lubricated by splashing oil. This is the usual form of lubrication for horizontal installation positions (M1/M3). In slow speed operation, oil splash may not deliver lubricant to all critical areas. In high speed operation, oil splash may contribute to excessive churning losses and undesirable reducer heating.



## 2. Bath (Immersion) Lubrication

The gear unit is full or nearly full with oil with all gear and bearing surfaces completely or partially immersed in an oil bath. Bath lubrication is one way of assuring proper lubrication to gear units mounted in standing (M2 or M4) or vertical (M5 or M6) positions. Bath lubrication may sometimes lead to higher oil churning losses, higher operating temperatures, and reduced efficiency. These instances may also dictate the need for larger gear cases or additional cooling options and accessories. Pressure (forced) lubrication may eliminate the need for more costly accessories or options while also reducing operating temperatures and extending lubrication life.

## 3. Pressure (Forced) Lubrication [LC, LCX]

With pressure or forced lubrication, a pump (shaft driven or motorized) is provided, which allows a relatively low oil level to be maintained. The pump and oil distribution lines deliver the oil to all critical gear and bearing areas. Oil levels may be lowered, even compared to standard splash oil levels. This type of lubrication is advisable for the following operating conditions:

- When splash or bath lubrication is not possible or not thermally advantageous.
- When high input speeds are present and the speed limit for other lubrication methods are being exceeded (based on size, ratio and mounting).
- If a drywell is required with a vertical output shaft.



### **IMPORTANT NOTE**



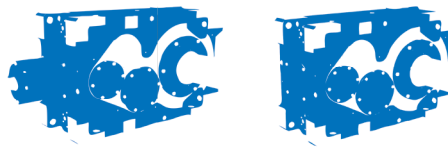
Consult NORD when considering either bath lubrication or pressure lubrication so that appropriate options and accessories can be recommended.

## Typical Lubrication Recommendations

The MAXXDRIVE™ gear units are designed to be able to operate with high performance mineral oil containing an extreme pressure (EP) additive. A viscosity grade ISO VG220 EP (AGMA 5 EP) mineral oil is typical for ambient temperature conditions between 0°C-40°C (32°F-104°F).



While the MAXXDRIVE™ gear units are designed to be able to operate with high performance mineral oil, NORD strongly recommends the use of synthetic oil. Compared to mineral oil, synthetic oil offers the following advantages that provided added wear protection and extend reducer component life:

- Higher film strength, lower traction coefficient and improved lubricity.
- Reduced internal friction (reduced by as much as ½ compared to mineral oil) resulting in lower operating temperatures and improved gear efficiency.
- Superior wear and thermo-oxidative resistance, provides enhanced system cleanliness and enables longer service intervals.
- Higher viscosity index offering improved low temperature and high temperature stability.



## Oil Filling Guidelines

Prior to start-up the proper oil fill level must be established. Unless requested, NORD DRIVESYSTEMS furnishes all Industrial Gear Units without oil in order to eliminate additional shipping costs.

	<b>IMPORTANT NOTE</b>	
<ul style="list-style-type: none"><li>• All Industrial Gear Units gear units are shipped dry. The tables starting on page <a href="#">⇒ 50</a> provide a guideline for the lubrication amount based upon the installation position.</li><li>• The actual oil volume will vary depending upon the gear unit type and configuration, mounting position and ratio.</li><li>• When filling the reducer, always check the oil-fill level using the reducer's oil level plug. Oil plug locations for common mounting configurations are shown on page <a href="#">⇒ 49</a>.</li><li>• In some instances NORD DRIVESYSTEMS may supply a pre-stage gear unit or an auxiliary (inching) drive and these units are typically filled with the proper type and amount of oil (see separate user manual documentation).</li></ul>		



## Lubrication Replacement

If the gear unit is filled with mineral oil, the lubricant should be replaced at least after every 10,000 operating hours or after every two years, whichever comes first.

If the gear unit is filled with synthetic oil, the lubricant should be replaced at least after every 20,000 operating hours or after every 3 years, whichever comes first.

Often gear reducers are exposed to extreme operating conditions or hostile environments such as: high humidity or wet conditions, high ambient temperatures or high operating temperatures, or dirty and dusty operating areas. Especially in these situations, it is important to change the reducer lubricant more often than what is suggested as a typical guideline.

Please refer for details to the Operating and Assembly Instructions B1050 resp. B2050

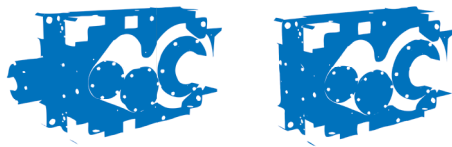
	<b>WARNING</b>	
<ul style="list-style-type: none"><li>• Do not mix different oils with different additive packages or different base oil formulation types. Polyglycol (PG) oils are not miscible with other oil types and should never be mixed with mineral oil, or Polyalphaolefin (PAO) oil.</li><li>• When making a lubrication change, check with the lubrication supplier to assure compatibility with the original oil used and to obtain recommended cleaning or flushing procedures.</li></ul>		

## Importance of Routine Oil Analysis

Routine oil analysis, sound lubrication practices, and good tracking of oil performance trends will help establish proper lubrication maintenance and changeout intervals. To maximize equipment reliability NORD Gear recommends a condition-based lubrication maintenance program be applied to the MAXXDRIVE™ gear units. NORD DRIVESYSTEMS suggests replacing the gear oil if oil analysis indicates any of the following:

- Viscosity has changed by approximately 10% or more.
- Debris particles (silicon, dust, dirt or sand) exceed 25 ppm.
- Iron content exceeds 100 ppm.
- Water content is greater than 0.05% (500 ppm).
- The total acid number (TAN) tests indicate a significant level of oxidative break-down of the oil, and a critical reduction in performance; If the TAN number measured changes by more than 40% over the oil, then an oil change would be recommended.





## Selection of lubricants

The following pages show the lubricants which have been approved by NORD DRIVESYSTEMS for use in MAXXDRIVE gear units.

A suitable viscosity class and lubricant type has been selected by NORD DRIVESYSTEMS for each application. These specifications form a part of the order confirmation and may not be changed without written consent from NORD. However, users may freely select the brand of lubricant from these lists.

The following tables state the minimum oil temperature which can be accepted for various lubrication systems and oil types in order to remain below 1,800 cSt on starting the gear unit as described above. If the temperatures are lower, the oil must be heated before starting.

### Minimum gear unit starting temperature

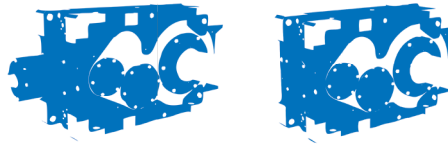
For ATEX applications, the temperature limits must be checked in each case. Please contact NORD DRIVESYSTEMS.

#### Mineral oil

Type of lubrication	Viscosity class			
	ISO VG460	ISO VG320	ISO VG220	ISO VG150
Immersion lubrication / bath lubrication	-10 °C	-12 °C	-15 °C	-20 °C
Pressure lubrication with motor pump	on request	15 °C	10 °C	5 °C
Pressure lubrication with shaft-end pump	on request	5 °C	0 °C	-5 °C

#### Synthetic oil

Type of lubrication	Viscosity class			
	ISO VG460	ISO VG320	ISO VG220	ISO VG150
Immersion lubrication / bath lubrication	-25 °C	-25 °C	-25 °C	-25 °C
Pressure lubrication with motor pump	on request	5 °C	0 °C	-5 °C
Pressure lubrication with shaft-end pump	on request	-5 °C	-10 °C	-15 °C



## Available Lubricants

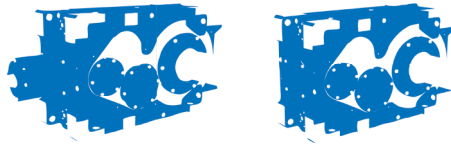
Lubricant	Details on Type Plate	DIN / ISO Ambient Temp.					Mobil	
Mineral Oil	CLP 220	ISO VG 220 -10...40°C	Energol GR-XP 220	Alpha SP 220 Alpha MAX 220 Optigear BM 220 Tribol 1100 / 220	Renolin CLP 220 Renolin CLP 220 Plus Gearmaster CLP 220	Klüberoil GEM 1 - 220 N	Mobilgear 600 XP 220 Mobilgear XMP 220	Shell Omala F 220
	CLP 320	ISO VG 320 -10...40°C	Energol GR-XP 320	Alpha SP 320 Alpha MAX 320 Optigear BM 320 Tribol 1100 / 320	Renolin CLP 320 Renolin CLP 320 Plus Gearmaster CLP 320	Klüberoil GEM 1 - 320 N	Mobilgear 600 XP 320 Mobilgear XMP 320	Shell Omala F 320
	CLP 680	ISO VG 680 0...40°C	Energol GR-XP 680	Alpha SP 680 Optigear BM 680 Tribol 1100 / 680	Renolin CLP 680 Renolin CLP 680 Plus Gearmaster CLP 680	Klüberoil GEM 1 - 680 N	Mobilgear 600 XP 680 Mobilgear XMP 680	-
Synthetic Oil (Polyglycol)	CLP PG 220	ISO VG 220 -25...40°C	Enersyn SG-XP 220	Tribol 1300 / 220	Renolin PG 220 Gearmaster PGP 220	Klübersynth GH 6 - 220	-	Shell Omala S4 WE 220
	CLP PG 320	ISO VG 320 -25...40°C	Enersyn SG-XP 320	Tribol 1300 / 320	Renolin PG 320 Gearmaster PGP 320	Klübersynth GH 6 - 320	-	Shell Omala S4 WE 320
	CLP PG 680	ISO VG 680 -20...40°C	Enersyn SG-XP 680	Tribol 1300 / 680	Renolin PG 680 Gearmaster PGP 680	Klübersynth GH 6 - 680	-	Shell Omala S4 WE 680
Synthetic Oil (hydrocarbons)	CLP HC 220	ISO VG 220 -45...40°C	Enersyn EP-XF 220	Optigear Synth X 220 Tribol 1710 / 220	Renolin Unisyn CLP 220 Gearmaster SYN 220	Klübersynth GEM 4 - 220N	Mobil SHC 630	Shell Omala S4 GX 220
	CLP HC 320	ISO VG 320 -25...40°C	Enersyn EP-XF 320	Optigear Synth X 320 Tribol 1710 / 320	Renolin Unisyn CLP 320 Gearmaster SYN 320	Klübersynth GEM 4 - 320N	Mobil SHC 632	Shell Omala S4 GX 320
	CLP HC 680	ISO VG 680 -10...40°C	-	Optigear Synth X 680	Renolin Unisyn CLP 680 Gearmaster SYN 680	Klübersynth GEM 4 - 680N	-	Shell Omala S4 GX 680
Biodegradable Oil	CLP-E 220	ISO VG 220 -5...40°C	-	Tribol BioTop 1418 / 220	Plantogear 220 S Gearmaster ECO 220	Klübersynth GEM 2 - 220	-	Shell Naturelle Gear Fluid EP 220
	CLP-E 320	ISO VG 320 -5...40°C	-	Tribol BioTop 1418 / 320	Plantogear 320 S Gearmaster ECO 320	Klübersynth GEM 2 - 320	-	Shell Naturelle Gear Fluid EP 320
	CLP-E 680	ISO VG 680 -5...40°C	-	-	Plantogear 680 S Gearmaster ECO 680	-	-	-
Foodstuff Compatible Oil	CLP PG H1 220	ISO VG 220 -25...40°C	-	Optileb GT 220	Cassida Fluid WG 220	Klübersynth UH1 6 - 220	-	-
	CLP PG H1 320	ISO VG 320 -20...40°C	-	Optileb GT 320	Cassida Fluid WG 320	Klübersynth UH1 6 - 320	-	-
	CLP PG H1 680	ISO VG 680 -5...40°C	-	Optileb GT 680	Cassida Fluid WG 680	Klübersynth UH1 6 - 680	-	-

This table shows comparable lubricants from various manufacturers. The manufacturer shown in this table may be changed within a particular viscosity or lubricant type. NORD must be contacted in case of change of viscosity or lubricant type or supplier, as otherwise no warranty for the functionality of our gearboxes may be accepted.

## Bearing lubricants

Lubricant type	Ambient temperature					Mobil	
Mineral oil-based grease	-30...60°C	Energrease LS 2 Energrease LS-EP 2	Longtime PD 2	RENOLIT GP 2 RENOLIT LZR 2 H	-	Mobilux EP 2	Gadus S2 V100 2
	-50...40°C	-	Optitemp LG 2	RENOLIT JP 1619	-	-	-
Synthetic greases	-25...80°C	Energrease SY 2202	Tribol 4747	RENOLIT HLT 2 RENOLIT LST 2	PETAMO GHY 133 N Klüberplex BEM 41-132	Mobiltemp SHC 32	Cassida EPS2
Rapidly biodegradable grease	-25...40°C	Biogrease EP 2	-	PLANTOGEL 2 S	Klüberbio M 72-82	Mobil SHC Grease 102 EAL	Naturelle Grease EP2
Food-compatible grease	-25...40°C	-	Obeen UF 2	RENOLIT G 7 FG 1	Klübersynth UH1 14-151	Mobilgrease FM 222	Cassida RLS2

The manufacturer can be changed for a given grease type. NORD must be consulted if the type of grease or the range of ambient temperatures is changed. Otherwise no guarantee can be accepted for the function of the gear unit.

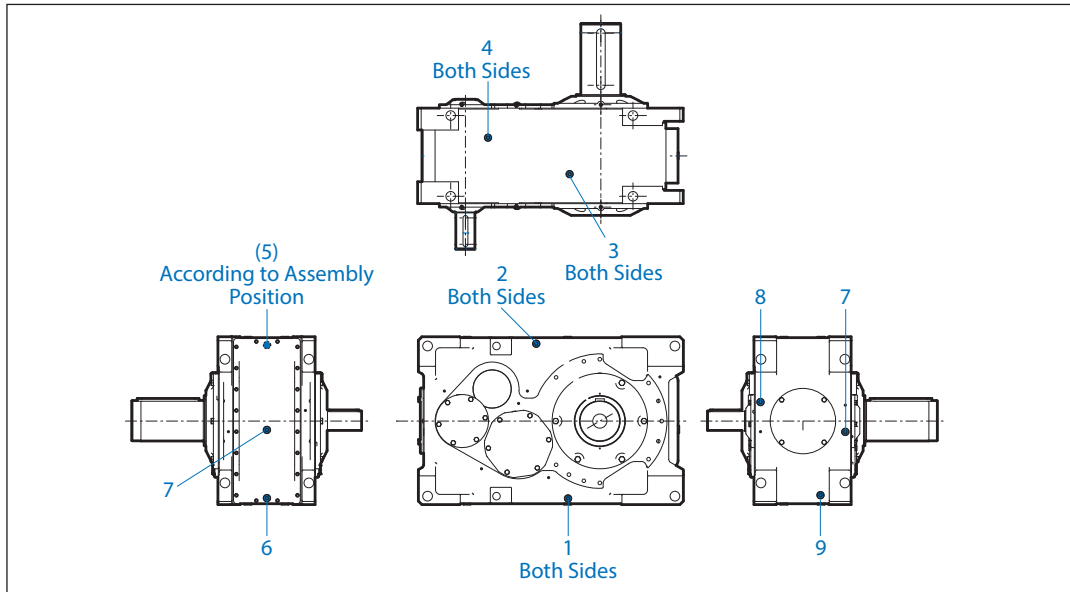


## Oil Fill, Drain and Vent Locations

All MAXXDRIVE™ gear units are supplied with an oil level plug, an oil fill plug and a breather. All of the remaining holes are sealed. Alternative positions based on the locations of the remaining holes can be provided if requested.



Engineering



**Remark:** The exact positions will be shown in the installation drawing.

No.	Thread	Installation position <sup>3)</sup>					
		M1	M2	M3	M4	M5	M6
1	G1"	●	▼ <sup>1)</sup>	▽	▼ <sup>1)</sup>	■ / ▽	■ / ▽
2	G1"	▽	▼ <sup>1)</sup>	●	▼ <sup>1)</sup>	■ / ▽	■ / ▽
3	G1"	▽	▽	▽	▼ <sup>1)</sup>	▽	▼ <sup>1)</sup>
4	G1"	▽	---	▽	▽	▼ <sup>1)</sup>	▽
6	G1"	■ / ▽ <sup>2)</sup>	---	■ / ▽ <sup>2)</sup>	■	▼ <sup>1)</sup>	▼ <sup>1)</sup>
7	G1"	▼ <sup>1)</sup>	▽	▼ <sup>1)</sup>	●	▼ <sup>1)</sup>	▼ <sup>1)</sup>
8	G1"	▽	●	▽	▽	●	▽
9	G1"	▼ <sup>1)</sup>	■	▼ <sup>1)</sup>	▽	▽	●
10	G1"	■	▽	▽	■	▼ <sup>1)</sup>	▼ <sup>1)</sup>

1) Special Oil Level

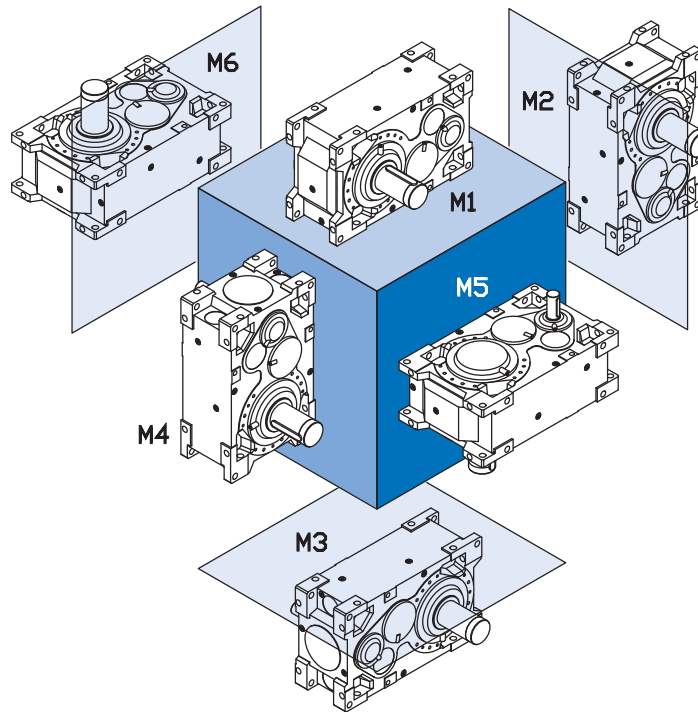
2) Dependant on Cover Assembly

3) Installation M1 - M6 refer to page 37

**Blue Labeling Verifies the Standard Location**

■ ● = Oil Drain Plug    ▽ ▽ = Vent    ▼ ▽ = Oil Fill Level

# Parallel Industrial Gear Unit Mounting Positions & Oil Fill Quantities



Unit Type	M1 Liters	M2 Liters	M3 Liters	M4 <sup>2)</sup> Liters	M5 <sup>2)</sup> Liters	M6 <sup>2)</sup> Liters	max <sup>3)</sup> Liters
SK 5207 / 5307	21	31 / -	23	39 / -	37 / -	37 / -	51
SK 6207 / 6307	26	37 / -	29	45 / -	42 / -	42 / -	60
SK 7207 / 7307	36	45 / -	36	48 / -	46 / -	46 / -	62
SK 8207 / 8307	44	55 / -	44	59 / -	57 / -	57 / -	76
SK 9207 / 9307	57	71 / -	73	76 / -	74 / -	74 / -	98
SK 10207 / 10307	72	89 / -	90	96 / -	92 / -	92 / -	123
SK 11207 / 11307	105	130 / 50 <sup>4)</sup>	105	140 / 40 <sup>4)</sup>	135 / 45 <sup>4)</sup>	135 / 45 <sup>4)</sup>	180
SK 12207 / 12307	116	185 / 83 <sup>4)</sup>	150	203 / 65 <sup>4)</sup>	199 / 69 <sup>4)</sup>	199 / 69 <sup>4)</sup>	268
SK 13207 / 13307	154	256 / 107 <sup>4)</sup>	154	290 / 73 <sup>4)</sup>	268 / 95 <sup>4)</sup>	268 / 95 <sup>4)</sup>	363
SK 14207 / 14307	225	374 / 156 <sup>4)</sup>	225	424 / 107 <sup>4)</sup>	392 / 139 <sup>4)</sup>	392 / 139 <sup>4)</sup>	531
SK 15207 / 15307	358	415 / 160 <sup>4)</sup>	335	450 / 125 <sup>4)</sup>	405 / 170 <sup>4)</sup>	412 / 163 <sup>4)</sup>	575

Unit Type	R (Backstop) Liters	VL2/3/4/6 (Spread Bearing) Liters	VL5 (Extruder Bearing) Liters	WX (Auxillary Drive) Liters	OT (Oil Tank) Liters
SK 5207 / 5307	+1	+ 8	+ 8	+3	+ 7
SK 6207 / 6307	+1	+ 8	+ 8	+3	+ 7
SK 7207 / 7307	+1	+ 8	+ 8	+5	+ 7
SK 8207 / 8307	+1	+ 8	+ 8	+5	+ 7
SK 9207 / 9307	+2	+12	+12	+5	+ 7
SK 10207 / 10307	+2	+12	+12	+5	+ 7
SK 11207 / 11307	+2	+15	+15	+6,5	+15
SK 12207 / 12307	+3	+20	-	+6,5	+15
SK 13207 / 13307	+5	+25	-	+6,5	+15
SK 14207 / 14307	+6	+25	-	+6,5	+15
SK 15207 / 15307	+7	+30	-	+6,5	+15

CS1/CS2 (External Cooling) Liters	
A	+ 7
B	+ 7
C	+ 7
D	+ 7
E	+15
F	+15
G	+15
H	+15

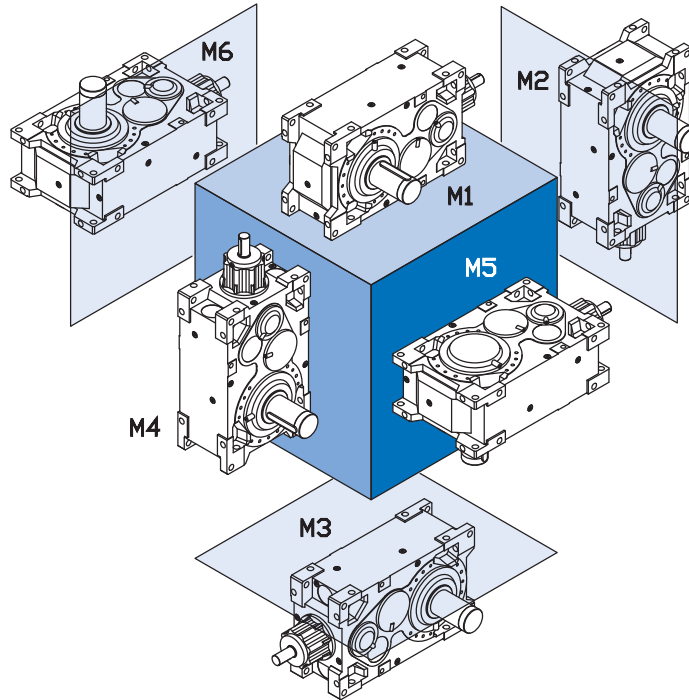
⇒ 84

- 2) Without/With pressure (forced) lubrication
- 3) Please check thermal capacity of the gear unit
- 4) Reduced oil level with pressure (forced) lubrication

**Note:** The stated quantities are guide values. In the order-related documentation are the exact values.



# Bevel Industrial Gear Unit Mounting Positions & Oil Fill Quantities



Unit Type	M1 Liters	M2 <sup>2)</sup> Liters	M3 Liters	M4 <sup>1)</sup> Liters	M5 <sup>2)</sup> Liters	M6 <sup>2)</sup> Liters	max <sup>3)</sup> Liters
SK 5407 / 5507	24	34 / -	26	42 / -	40 / -	40 / -	53
SK 6407 / 6507	29	40 / -	32	48 / -	44 / -	44 / -	62
SK 7407 / 7507	38	47 / -	38	50 / -	49 / -	50 / -	64
SK 8407 / 8507	47	58 / -	47	62 / -	60 / -	62 / -	79
SK 9407 / 9507	61	75 / -	61	80 / -	78 / -	80 / -	102
SK 10407 / 10507	77	94 / -	77	101 / -	97 / -	101 / -	128
SK 11407 / 11507	112	137 / 57 <sup>4)</sup>	112	147 / 40 <sup>4)</sup>	142 / 45	147 / 45 <sup>4)</sup>	187
SK 12407 / 12507	145	195 / 93 <sup>4)</sup>	126	213 / 65 <sup>4)</sup>	209 / 69	209 / 69 <sup>4)</sup>	278
SK 13407 / 13507	168	270 / 121 <sup>4)</sup>	168	304 / 73 <sup>4)</sup>	282 / 95	282 / 95 <sup>4)</sup>	377
SK 14407 / 14507	246	395 / 177 <sup>4)</sup>	246	444 / 107 <sup>4)</sup>	412 / 139	412 / 139 <sup>4)</sup>	551
SK 15407 / 15507	382	439 / 188 <sup>4)</sup>	359	474 / 125 <sup>4)</sup>	429 / 170	436 / 163 <sup>4)</sup>	599

Unit Type	R (Backstop) Liters	VL2/3/4/6 (Spread Bearing) Liters	VL5 (Extruder Bearing) Liters	WX (Auxillary Drive) Liters	OT (Oil Tank) Liters
SK 5407 / 5507	+1	+ 8	+ 8	+ 6	+ 7
SK 6407 / 6507	+1	+ 8	+ 8	+ 6	+ 7
SK 7407 / 7507	+1	+ 8	+ 8	+10	+ 7
SK 8407 / 8507	+1	+ 8	+ 8	+10	+ 7
SK 9407 / 9507	+2	+12	+12	+10	+ 7
SK 10407 / 10507	+2	+12	+12	+10	+ 7
SK 11407 / 11507	+2	+15	+15	+15	+15
SK 12407 / 12507	+3	+20	-	+15	+15
SK 13407 / 13507	+5	+25	-	+15	+15
SK 14407 / 14507	+6	+25	-	+15	+15
SK 15407 / 15507	+7	+30	-	+15	+15

CS1/CS2 (External Cooling) Liters	
A	+ 7
B	+ 7
C	+ 7
D	+ 7
E	+15
F	+15
G	+15
H	+15

⇒ 84

- 1) Pressure (forced) lubrication is necessary for the bevel gear stages
- 2) Without/With pressure (forced) lubrication
- 3) Please check thermal capacity of the gear unit
- 4) Reduced oil level with pressure (forced) lubrication

**Note:** The stated quantities are guide values. In the order-related documentation are the exact values.

# SK...207 , SK...307 Weights



	V (Solid Shaft)		L (Double Solid Shaft)		A (Hollow Shaft)		AS (Hollow Shaft /Shrink Disc)	
	kg	lb	kg	lb	kg	lb	kg	lb
SK 5207	360	794	388	855	327	721	338	745
SK 5307	373	822	401	884	340	750	351	774
SK 6207	404	891	432	952	371	818	382	842
SK 6307	417	919	445	981	384	847	395	871
SK 7207	473	1043	530	1168	418	922	439	968
SK 7307	509	1122	570	1257	454	1001	477	1052
SK 8207	551	1215	608	1340	496	1093	516	1138
SK 8307	592	1305	654	1442	538	1186	560	1235
SK 9207	953	2101	1068	2355	824	1817	865	1907
SK 9307	1025	2260	1148	2531	895	1973	940	2072
SK 10207	1087	2396	1201	2648	957	2110	999	2202
SK 10307	1169	2577	1292	2848	1039	2291	1084	2390
SK 11207	1390	3064	1460	3219	1250	2756	1300	2866
SK 11307	1460	3219	1530	3373	1320	2910	1370	3020
SK 12207	2005	4420	2110	4652	1785	3935	1860	4101
SK 12307	2110	4652	2215	4883	1890	4167	1965	4332
SK 13207	2820	6217	2980	6570	2460	5423	2600	5732
SK 13307	3040	6702	3200	7055	2680	5908	2820	6217
SK 14207	3550	7828	3740	8247	3200	7056	3410	7519
SK 14307	3570	7872	3760	8291	3200	7100	3430	7563
SK 15207	4460	9833	4645	10240	4035	8896	4180	9215
SK 15307	4700	10362	4885	10770	4275	9425	4420	9744

	R (Backstop)		V + VL2/3 (Spread Bearing)		A + VL2/3 (Spread Bearing)		AS + VL2/3 (Spread Bearing)		F (Low Flange)		FK (High Flange)	
	kg	lb	kg	lb	kg	lb	kg	lb	kg	lb	kg	lb
SK 5207	+14	+31	+210	+463	+190	+419	+210	+463	+25	+55	+25	+55
SK 5307	+ 9	+20										
SK 6207	+14	+31	+210	+463	+190	+419	+210	+463	+25	+55	+25	+55
SK 6307	+ 9	+20										
SK 7207	+19	+41	+350	+772	+320	+705	+350	+772	+23	+51	+29	+64
SK 7307	+17	+37										
SK 8207	+19	+41	+350	+772	+320	+705	+350	+772	+29	+64	+35	+78
SK 8307	+17	+37										
SK 9207	+24	+53	+280	+617	+260	+573	+290	+639	+37	+82	+46	+101
SK 9307	+21	+46										
SK 10207	+24	+53	+280	+617	+260	+573	+290	+639	+47	+103	+58	+127
SK 10307	+21	+46										
SK 11207	+31	+68	+300	+661	+260	+573	+330	+727	+150	+331	+185	+408
SK 11307	+21	+46										
SK 12207	+54	+119	+380	+837	+330	+727	+390	+860	+205	+452	+260	+573
SK 12307	+31	+68										
SK 13207	+60	+132	+510	+1124	+430	+948	+520	+1146	+295	+650	+365	+805
SK 13307	+33	+72										
SK 14207	+56	+123	+540	+1190	+450	+992	+550	+1212	+350	+772	-	-
SK 14307	+56	+123										
SK 15207	+104	+229	+840	+1852	+730	+1609	+860	+1896	+400	+882	-	-
SK 15307	+61	+134										



## CAUTIONS



The weight data is based on gear units without oil and add-ons. The actual weights can be supplied with the gear unit documentation.



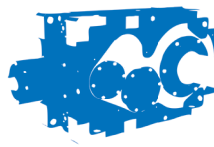
	D (Torque Support)		ED (Elastic Torque Sup.)		WX (Auxillary Drive)		FAN (Fan)		H (AS) (Shrink Disc Cover)		CC (Int. Water Cooler)	
	kg	lb	kg	lb	kg	lb	kg	lb	kg	lb	kg	lb
SK 5207 SK 5307	+15	+33	+15	+33	+44	+97	+4	+9	+1	+2,2	+3	+7
SK 6207 SK 6307	+15	+33	+15	+33	+44	+97	+4	+9	+1	+2,2	+3	+7
SK 7207 SK 7307	+10	+22	+39	+86	+38	+84	+8,2	+18	+3,2	+7	+3,2	+7
SK 8207 SK 8307	+13	+29	+48	+106	+46	+101	+9,1	+20	+4,1	+9	+4,1	+9
SK 9207 SK 9307	+16	+35	+63	+139	+60	+132	+12	+26	+5,0	+11	+5,0	+11
SK 10207 SK 10307	+21	+46	+79	+174	+75	+165	+15	+33	+6,8	+15	+6,8	+15
SK 11207 SK 11307	+30	+66	+115	+254	+110	+243	+22	+49	+10	+22	+10	+22
SK 12207 SK 12307	+35	+77	+115	+254	+110	+243	+25	+55	+11	+24	+12	+26
SK 13207 SK 13307	+40	+88	+135	+298	+110	+243	+28	+62	+13	+29	+15	+33
SK 14207 SK 14307	+84	+187	+172	+381	+115	+253	+29	+65	+13	+29	+15	+33
SK 15207 SK 15307	+45	+99	+135	+298	+120	+265	+35	+77	+16	+35	+15	+33

	IEC 100		IEC 112		IEC 132		IEC 160		IEC 180		IEC 200		IEC 225		IEC 250		IEC 280		IEC 315		TN315		TN355	
	kg	lb	kg	lb	kg	lb	kg	lb	kg	lb	kg	lb	kg	lb	kg	lb	kg	lb	kg	lb	kg	lb	kg	lb
SK 5207 SK 5307	+65	+143	+65	+143	+67	+148	+70	+154	+70	+154	+72	+159	+80	+176	+96	+212	+96	+212	-	-	-	-	-	-
SK 6207 SK 6307	+65	+143	+65	+143	+67	+148	+70	+154	+70	+154	+72	+159	+80	+176	+96	+212	+96	+212	-	-	-	-	-	-
SK 7207 SK 7307	+13	+29	+13	+29	+169	+373	+74	+163	+74	+163	+70	+154	+79	+174	+94	+207	+94	+207	+115	+254	+137	+302	+166	+366
SK 8207 SK 8307	+13	+29	+13	+29	+169	+373	+74	+163	+74	+163	+70	+154	+79	+174	+94	+207	+94	+207	+115	+254	+137	+302	+166	+366
SK 9207 SK 9307	+13	+29	+13	+29	+169	+373	+76	+168	+76	+168	+72	+159	+80	+176	+96	+212	+96	+212	+117	+258	+139	+306	+168	+370
SK 10207 SK 10307	+13	+29	+13	+29	+169	+373	+76	+168	+76	+168	+72	+159	+80	+176	+96	+212	+96	+212	+117	+258	+139	+306	+168	+370
SK 11207 SK 11307	---	---	---	---	---	---	+142	+313	+142	+313	+138	+304	+147	+324	+162	+357	+162	+357	+183	+403	+205	+452	+235	+518
SK 12207 SK 12307	---	---	---	---	---	---	+168	+370	+168	+370	+163	+359	+172	+379	+188	+414	+188	+414	+209	+461	+231	+509	+260	+573
SK 13207 SK 13307	---	---	---	---	---	---	+184	+406	+184	+406	+180	+397	+189	+417	+204	+450	+204	+450	+225	+496	+247	+545	+277	+611
SK 14207 SK 14307	---	---	---	---	---	---	+227	+501	+227	+501	+177	+392	+232	+512	+247	+545	+247	+545	+268	+591	+290	+640	+320	+705
SK 15207 SK 15307	---	---	---	---	---	---	+230	+507	+230	+507	+226	+498	+235	+518	+250	+551	+250	+551	+271	+597	+293	+646	+322	+710

**CAUTIONS**

The weight data is based on gear units without oil and add-ons. The actual weights can be supplied with the gear unit documentation.

# SK...407 , SK...507 Weights



	V (Solid Shaft)		L (Double Solid Shaft)		A (Hollow Shaft)		AS (Hollow Shaft /Shrink Disc)	
	kg	lb	kg	lb	kg	lb	kg	lb
	SK 5407	400	882	428	944	367	809	378
SK 5507	395	871	423	933	362	798	373	822
SK 6407	444	979	472	1041	411	906	422	930
SK 6507	439	968	467	1030	406	895	417	919
SK 7407	542	1195	603	1329	487	1074	510	1124
SK 7507	534	1177	591	1303	479	1056	499	1100
SK 8407	620	1367	681	1501	565	1246	588	1296
SK 8507	617	1360	732	1614	488	1076	529	1166
SK 9407	1044	2302	1167	2573	914	2015	959	2114
SK 9507	1056	2328	1170	2579	926	2041	968	2134
SK 10407	1178	2597	1301	2868	1048	2310	1093	2410
SK 10507	1200	2646	1363	3005	1104	2434	1176	2593
SK 11407	1460	3219	1530	3373	1320	2910	1370	3020
SK 11507	1535	3384	1605	3538	1395	3075	1445	3186
SK 12407	2185	4817	2290	5049	1965	4332	2040	4497
SK 12507	2195	4839	2300	5071	1975	4354	2050	4519
SK 13407	2970	6548	3130	6900	2610	5754	2790	6151
SK 13507	3190	7033	3350	7385	2830	6239	2970	6548
SK 14407	3660	8070	3850	8490	33100	7290	3520	7761
SK 14507	3750	8269	3940	8690	3400	7498	3610	7960
SK 15407	4770	10516	4955	10924	4345	9579	4490	9899
SK 15507	4945	10902	5130	11310	4520	9965	4665	10285

	R (Backstop)		V + VL2/3 (Spread Bearing)		A + VL2/3 (Spread Bearing)		AS + VL2/3 (Spread Bearing)		F (Low Flange)		FK (High Flange)	
	kg	lb	kg	lb	kg	lb	kg	lb	kg	lb	kg	lb
SK 5407	+14	31	+210	+463	+190	+419	+210	+463	+25	+55	+25	+55
SK 5507	+ 9	20										
SK 6407	+14	31	+210	+463	+190	+419	+210	+463	+25	+55	+25	+55
SK 6507	+ 9	20										
SK 7407	+6,8	+15	+147	+324	+79	+174	+99	+218	+51	+112	+63	+139
SK 7507	+5,0	+11										
SK 8407	+8,2	+18	+181	+399	+97	+214	+122	+269	+63	+139	+78	+172
SK 8507	+5,9	+13										
SK 9407	+11	+24	+235	+518	+126	+278	+158	+348	+82	+181	+101	+223
SK 9507	+8,2	+18										
SK 10407	+14	+31	+294	+648	+157	+346	+198	+437	+103	+227	+127	+280
SK 10507	+10	+22										
SK 11407	+20	+44	+426	+939	+233	+514	+289	+637	+147	+324	+183	+403
SK 11507	+13	+29										
SK 12407	+33	+73	+602	+1327	+338	+745	+409	+902	+207	+456	+258	+569
SK 12507	+13	+29										
SK 13407	+33	+73	+292	+644	+291	+642	+292	+644	+293	+646	+365	+805
SK 13507	+13	+29										
SK 14407	+33	+73	+860	+1900	+500	+1100	+590	+1300	+350	+750	-	-
SK 14507	+13	+29										
SK 15407	+60	+132	+1427	+3146	+839	+1850	+969	+2136	+400	+882	-	-
SK 15507	+33	+73										



## CAUTIONS



The weight data is based on gear units without oil and add-ons. The actual weights can be supplied with the gear unit documentation.





	D (Torque Support)		ED (Elastic Torque Sup.)		WX (Auxillary Drive)		FAN (Fan)		H (AS) (Shrink Disc Cover)		CC (Int. Water Cooler)	
	kg	lb	kg	lb	kg	lb	kg	lb	kg	lb	kg	lb
SK 5407 SK 5507	+15	+33	+15	+33	+44	+97	+4	+9	+1	+2,2	+3	+7
SK 6407 SK 6507	+15	+33	+15	+33	+44	+97	+4	+9	+1	+2,2	+3	+7
SK 7407 SK 7507	+10	+22	+39	86	+38	+84	+8,2	+18	+3,2	+7	+3,2	+7
SK 8407 SK 8507	+13	29	+48	106	+46	+101	+9,1	+20	+4,1	+9	+4,1	+9
SK 9407 SK 9507	+16	35	+63	139	+60	+132	+12	+26	+5,0	+11	+5,0	+11
SK 10407 SK 10507	+21	46	+79	174	+75	+165	+15	+33	+6,8	+15	+6,8	+15
SK 11407 SK 11507	+30	+66	+115	+254	+110	+243	+22	+49	+10	+22	+10	+22
SK 12407 SK 12507	+35	+77	+115	+254	+110	+243	+25	+55	+11	+24	+12	+26
SK 13407 SK 13507	+40	+88	+135	+298	+110	+243	+28	+62	+13	+29	+15	+33
SK 14407 SK 14507	+84	+187	+172	+381	+115	+253	+30	+65	+13	+29	+15	+33
SK 15407 SK 15507	+45	+99	+135	+298	+120	+265	+35	+77	+16	+35	+15	+33

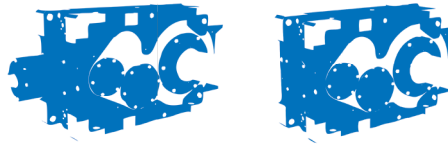
	IEC 100		IEC 112		IEC 132		IEC 160		IEC 180		IEC 200		IEC 225		IEC 250		IEC 280		IEC 315		TN315		TN355	
	kg	lb	kg	lb	kg	lb	kg	lb	kg	lb	kg	lb	kg	lb	kg	lb	kg	lb	kg	lb	kg	lb	kg	lb
SK 5407	+72	+159	+72	+159	+74	+163	+77	+170	+77	+170	+79	+174	+87	+192	+103	+227	+103	+227	-	-	-	-	-	-
SK 5507	+61	+134	+61	+134	+63	+139	+66	+146	+66	+146	+68	+150	+76	+168	+92	+203	+92	+203	-	-	-	-	-	-
SK 6407	+72	+159	+72	+159	+74	+163	+77	+170	+77	+170	+79	+174	+87	+192	+103	+227	+103	+227	-	-	-	-	-	-
SK 6507	+61	+134	+61	+134	+63	+139	+66	+146	+66	+146	+68	+150	+76	+168	+92	+203	+92	+203	-	-	-	-	-	-
SK 7407	+13	+29	+13	+29	+69	+152	+91	+201	+91	+201	+87	+192	+95	+209	+111	+245	+111	+245	+132	291	+154	340	+183	403
SK 7507	+87	+192	+87	+192	+19	+42																		
SK 8407	+13	+29	+13	+29	+69	+152	+91	+201	+91	+201	+87	+192	+95	+209	+111	+245	+111	+245	+132	291	+154	340	+183	403
SK 8507	+87	+192	+87	+192	+19	+42																		
SK 9407	+13	+29	+13	+29	+69	+152	+91	+201	+91	+201	+87	+192	+95	+209	+111	+245	+111	+245	+132	291	+154	340	+183	403
SK 9507	+87	+192	+87	+192	+19	+42																		
SK 10407	+13	+29	+13	+29	+69	+152	+91	+201	+91	+201	+87	+192	+95	+209	+111	+245	+111	+245	+132	291	+154	340	+183	403
SK 10507	+87	+192	+87	+192	+19	+42																		
SK 11407	-	-	-	-	-	-	+170	+375	+170	+375	+166	+366	+175	+386	+190	+419	+190	+419	+211	+465	+233	+514	+263	+580
SK 11507	-	-	-	-	-	-	+144	+144	+144	+317	+140	+309	+149	+328	+164	+362	+164	+362	+185	+408	+207	+456	+237	+522
SK 12407	-	-	-	-	-	-	+222	+489	+222	+489	+218	+481	+226	+498	+242	+534	+242	+534	+263	+580	+285	+628	+314	+692
SK 12507	-	-	-	-	-	-	+176	+176	+176	+388	+172	+379	+181	+399	+196	+432	+196	+432	+217	+478	+239	+527	+269	+593
SK 13407	-	-	-	-	-	-	+267	+589	+267	+589	+262	+578	+271	+597	+287	+633	+287	+633	+308	+679	+330	+728	+359	+791
SK 13507	-	-	-	-	-	-	+216	+216	+216	+476	+212	+467	+221	+487	+236	+520	+236	+520	+257	+567	+279	+615	+308	+679
SK 14407	-	-	-	-	-	-	+267	+589	+267	+589	+262	+578	+271	+597	+287	+633	+287	+633	+308	+679	+330	+728	+359	+791
SK 14507	-	-	-	-	-	-	+216	+216	+216	+476	+212	+467	+221	+487	+236	+520	+236	+520	+257	+567	+279	+615	+308	+679
SK 15407	-	-	-	-	-	-	+310	+683	+310	+683	+306	+675	+315	+694	+330	+728	+330	+728	+351	+774	+373	+822	+402	+886
SK 15507	-	-	-	-	-	-	+240	+240	+240	+529	+236	+520	+244	+538	+260	+573	+260	+573	+281	+619	+303	+668	+332	+732



### CAUTIONS



The weight data is based on gear units without oil and add-ons. The actual weights can be supplied with the gear unit documentation.



## Solid & Hollow Shaft Tolerance Standards

Nominal Size ø Range		Hollow Shaft	Solid Shaft			
over (mm)	to (mm)		H7 (µm)	g6 (µm)	h6 (µm)	k6 (µm)
ø 40	ø 50	+25	-9	0	+18	+25
		0	-25	-16	+2	+9
ø 50	ø 65	+30	-10	0	+21	+30
		0	-29	-19	+2	+11
ø 65	ø 80	+30	-10	0	+21	+30
		0	-29	-19	+2	+11
ø 80	ø 100	+36	-12	0	+25	+35
		0	-34	-22	+3	+13
ø 100	ø 120	+36	-12	0	+25	+35
		0	-34	-22	+3	+13
ø 120	ø 140	+40	-14	0	+28	+40
		0	-39	-25	+3	+15
ø 140	ø 160	+40	-14	0	+28	+40
		0	-39	-25	+3	+15
ø 160	ø 180	+40	-14	0	+28	+40
		0	-39	-25	+3	+15
ø 180	ø 200	+46	-15	0	+33	+46
		0	-44	-29	+4	+17
ø 200	ø 225	+46	-15	0	+33	+46
		0	-44	-29	+4	+17
ø 225	ø 250	+46	-15	0	+33	+46
		0	-44	-29	+4	+17
ø 250	ø 280	+52	-17	0	+36	+52
		0	-49	-32	+4	+20
ø 280	ø 315	+52	-17	0	+36	+52
		0	-49	-32	+4	+20
ø 315	ø 355	+57	-18	0	+40	+57
		0	-54	-36	+4	+21

**Standard tolerances:** According to ISO 2768 - mk  
According to: DIN 748 & ISO H7

## Solid & Hollow Shaft & Key Tolerances

Solid Shaft Diameter Tolerance [mm]	
> ø 14 - ø 50	ISO k6
> ø 50	ISO m6

### Shaft Tolerance According to: DIN 748

Solid Shaft Drill & Tap End - Threaded Holes [mm]	
= ø 13 - ø 16	M5
> ø 16 - ø 21	M6
> ø 21 - ø 24	M8
> ø 24 - ø 30	M10
> ø 30 - ø 38	M12
> ø 38 - ø 50	M16
> ø 50 - ø 85	M20
> ø 85 - ø 130	M24
> ø 130 - ø 155	M30
> ø 155 - ø 225	M36
> ø 225 - ø 320	M48

Solid Shaft Parallel Keys [mm]	
According to DIN 6885	

Keyed Hollow Bore Tolerances [mm]	
According to DIN 748 & ISO H7	

Splined Hollow Shaft Tolerance [mm]	
Splined Hub Section of DIN 5480 9H ⇔ 64	

Hollow Shaft Parallel Keys [mm]	
According to DIN 6885	

## Customer Shaft & Other Tolerances

Customer Shafts [mm]	
Tolerance According to ISO h6	
L = Length of plug-in shaft	
DIN 5480 Recommended Fitting 8f	
Tolerance of plug-in shaft ISO h6 (Diameter ≤ 160 mm)	
Tolerance of plug-in shaft ISO g6 (Diameter > 160 mm)	

Customer Shaft Parallel Keys [mm]	
According to DIN 6885 Sheets 1 & 3	

Axle Height	
Axle Height According to DIN 747	

Flanges	
Tolerance of bolt hole According to DIN 42 948	
Tolerance of the pilot According to DIN 42 948	
≤ ø 230 mm according to ISO j6	
> ø 230 mm according to ISO h6	

Cast Surfaces	
All cast surfaces are subject to minor variations due to the manufacturing process.	



### IMPORTANT NOTE



Alternate inch dimensions and tolerances are available upon request.

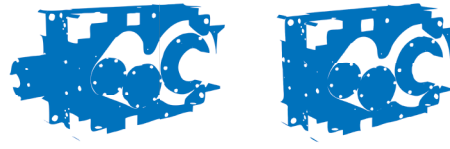


**DRIVESYSTEMS**

# Options

---

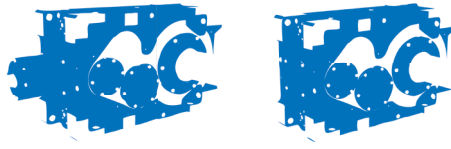
<b>Option Overview List</b> .....	<b>.58</b>
<b>Option Example Images</b> .....	<b>.60</b>
<b>Shaft Options</b> .....	<b>.64</b>
<b>Gear Unit Options</b> .....	<b>.68</b>
<b>Thermal Options</b> .....	<b>.80</b>
<b>Grain Endurance Package Option</b> .....	<b>.86</b>



## Large Industrial Gearbox Options

Option Code	Description	Output Design	Output Options	Input Design	Add. Options	Size											
						SK 5.07	SK 6.07	SK 7.07	SK 8.07	SK 9.07	SK 10.07	SK 11.07	SK 12.07	SK 13.07	SK 14.07		SK 15.07
<b>A</b>	Keyed hollow output shaft	X				✓	✓	✓	✓	✓	✓	✓	✓	✓	✓	✓	64
<b>AS</b>	Keyed hollow for shrink disc	X				✓	✓	✓	✓	✓	✓	✓	✓	✓	✓	✓	66
<b>B</b>	Fixing kit for hollow output shaft		X			✓	✓	✓	✓	✓	✓	✓	✓	✓	✓	✓	65
<b>CC</b>	Internal water cooler				X	✓	✓	✓	✓	✓	✓	✓	✓	✓	✓	✓	81
<b>CS1</b>	External oil / water cooler				X	✓	✓	✓	✓	✓	✓	✓	✓	✓	✓	✓	84
<b>CS2</b>	External oil / air cooler				X	✓	✓	✓	✓	✓	✓	✓	✓	✓	✓	✓	84
<b>D</b>	Torque support		X			✓	✓	✓	✓	✓	✓	✓	✓	✓	✓	✓	74
<b>DRY</b>	Spread Bearing Design "Drywell" with standard bearing		X			✓	✓	✓	✓	✓	✓	✓	✓	✓	✓	✓	64
<b>EA</b>	Hollow output shaft, with spline, DIN 5480	X				✓	✓	✓	✓	✓	✓	✓	✓	✓	✓	✓	64
<b>ED</b>	Elastic torque support		X			✓	✓	✓	✓	✓	✓	✓	✓	✓	✓	✓	74
<b>EV</b>	Splined solid output shaft, DIN 5480	X				✓	✓	✓	✓	✓	✓	✓	✓	✓	✓	✓	64
<b>EW</b>	Splined solid input shaft, DIN 5480			X		✓	✓	✓	✓	✓	✓	✓	✓	✓	✓	✓	64
<b>F</b>	Low output flange (B14 with threaded holes)		X			✓	✓	✓	✓	✓	✓	✓	✓	✓	✓	✓	70
<b>FAN</b>	Fan or Electric Fan				X	✓	✓	✓	✓	✓	✓	✓	✓	✓	✓	✓	85
<b>FK</b>	High output flange (B5 with through holes)		X			✓	✓	✓	✓	✓	✓	✓	✓	✓	✓	✓	70
<b>F1</b>	Input flange (SK .207 / SK .307)			X		✓	✓	✓	✓	✓	✓	✓	✓	✓	✓	✓	77
<b>H/H66</b>	Cover (contact protection) / IP66 Cover		X	X		✓	✓	✓	✓	✓	✓	✓	✓	✓	✓	✓	67
<b>IEC</b>	Adapter for fitting B5 IEC standard motors			X		✓	✓	✓	✓	✓	✓	✓	✓	✓	✓	✓	77
<b>L</b>	Double solid output shaft	X				✓	✓	✓	✓	✓	✓	✓	✓	✓	✓	✓	64
<b>LC</b>	Pressure Forced lubrication (Bearings)				X	-	-	1)	1)	1)	1)	✓	✓	✓	✓	✓	82
<b>LCX</b>	Pressure Forced lubrication with Drywell (Bearings & Gears)				X	-	-	1)	1)	1)	1)	1)	1)	1)	1)	1)	82
<b>MC</b>	Motor scoop				X	1)	1)	1)	1)	1)	1)	1)	1)	1)	1)	1)	77
<b>MO</b>	Monitoring devices & sensors				X	1)	1)	1)	1)	1)	1)	1)	1)	1)	1)	1)	78
<b>MF</b>	Motor base frame (options: see MF..)				X	✓	✓	✓	✓	✓	✓	✓	✓	✓	✓	✓	74
<b>MFB</b>	Base frame with brake				X	✓	✓	✓	✓	✓	✓	✓	✓	✓	✓	✓	75

<sup>1)</sup> on request



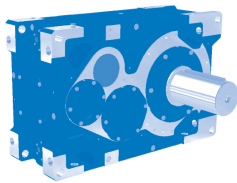
Option Code	Description	Output Design	Output Options	Input Design	Add. Options	Size										↕	
						SK 5.07	SK 6.07	SK 7.07	SK 8.07	SK 9.07	SK 10.07	SK 11.07	SK 12.07	SK 13.07	SK 14.07		SK 15.07
MS	Motor Swing Base (options: see MS ...)				X	✓	✓	✓	✓	✓	✓	✓	✓	✓	✓	✓	74
MSB	Swing base with brake				X	✓	✓	✓	✓	✓	✓	✓	✓	✓	✓	✓	75
MFK	Base frame with elastic coupling				X	✓	✓	✓	✓	✓	✓	✓	✓	✓	✓	✓	75
MFT	Base frame with fluid coupling				X	✓	✓	✓	✓	✓	✓	✓	✓	✓	✓	✓	75
MSK	Swing base with elastic coupling				X	✓	✓	✓	✓	✓	✓	✓	✓	✓	✓	✓	75
MSKB	Swing base with elastic coupling and brake				X	✓	✓	✓	✓	✓	✓	✓	✓	✓	✓	✓	75
MST	Swing base with fluid coupling				X	✓	✓	✓	✓	✓	✓	✓	✓	✓	✓	✓	75
MFTB	Base frame with fluid coupling and brake				X	✓	✓	✓	✓	✓	✓	✓	✓	✓	✓	✓	75
MSTB	Swing base with fluid coupling and brake				X	✓	✓	✓	✓	✓	✓	✓	✓	✓	✓	✓	75
MT	Motor bracket				X	1)	1)	1)	1)	1)	1)	1)	1)	1)	1)	1)	78
NEMA	Adapter for fitting B5 NEMA C-flange standard motors			X		✓	✓	✓	✓	✓	✓	✓	✓	✓	✓	✓	77
OT	Oil tank				X	✓	✓	✓	✓	✓	✓	✓	✓	✓	✓	✓	80
OH	Oil heater				X	✓	✓	✓	✓	✓	✓	✓	✓	✓	✓	✓	80
R *	Backstop			X		✓ *	✓ *	✓ *	✓ *	✓ *	✓ *	✓	✓	✓	✓	✓	69
V	Solid output shaft	X				✓	✓	✓	✓	✓	✓	✓	✓	✓	✓	✓	64
VL2	Spread Bearing Design	X				✓	✓	✓	✓	✓	✓	✓	✓	✓	✓	✓	71
VL3	Spread Bearing Design with Oil Safe Dry Cavity	X				✓	✓	✓	✓	✓	✓	✓	✓	✓	✓	✓	71
VL4	Spread Bearing Design with Drywell	X				✓	✓	✓	✓	✓	✓	✓	✓	✓	✓	✓	72
VL5	Extruder Flange	X				✓	✓	✓	✓	✓	✓	✓	-	-	-	-	72
VL6	Spread Bearing Design with Drywell without Flange	X				✓	✓	✓	✓	✓	✓	✓	✓	✓	✓	✓	72
WX	Auxiliary drive			X		✓	✓	✓	✓	✓	✓	✓	✓	✓	✓	✓	78
W1 W2 * W3 *	W-Solid Shaft Input Seals 1/2/3 - number of Solid Shaft Input			X		✓ *	✓ *	✓ *	✓ *	✓ *	✓ *	✓	✓	✓	✓	✓	---
---	Brakes				X	✓	✓	✓	✓	✓	✓	✓	✓	✓	✓	✓	76
---	Couplings		X	X		✓	✓	✓	✓	✓	✓	✓	✓	✓	✓	✓	76
---	Paint Coatings				X	✓	✓	✓	✓	✓	✓	✓	✓	✓	✓	✓	79
---	Endurance Package				X	✓	✓	✓	✓	✓	✓	✓	✓	✓	✓	✓	86

Options

<sup>1)</sup> on request  
\* R, W2, W3 - not available for all ratios



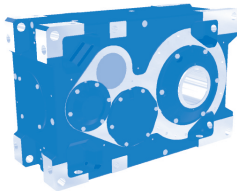
## Examples



### SK 13207 - V

Two-stage parallel gear unit

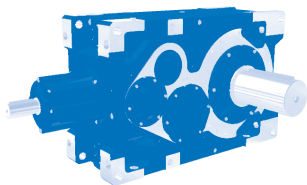
- with solid output shaft



### SK 13307 - A

Three-stage parallel gear unit

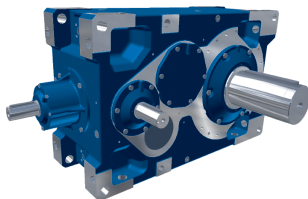
- with hollow output shaft



### SK 13407 - V

Three-stage right-angle gear unit

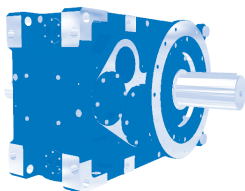
- with solid output shaft



### SK 13507 - V - W

Four-stage right-angle gear unit

- with solid output shaft
- with additional free input shaft



### SK 13207 - V - F

Two-stage parallel gear unit

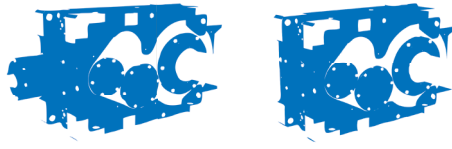
- with solid shaft and F flange on output



### SK 13207 - V - F

Two-stage parallel gear unit

- with solid shaft and F flange on output

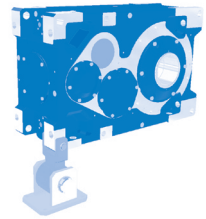


## Examples

### SK 13207 - A - ED

Two-stage parallel gear unit

- with hollow output shaft and elastic torque support



### SK 13307 - A - D

Three-stage parallel gear unit

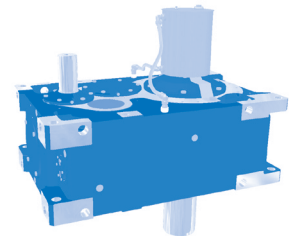
- with hollow output shaft and standard torque support



### SK 13207 - V - OT

Two-stage parallel gear unit

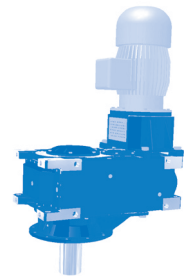
- with solid output shaft and oil tank



### SK 13207 - V - VL2 - IEC

Two-stage parallel gear unit

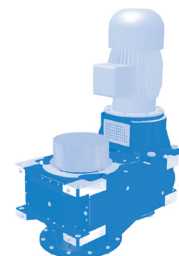
- with solid output shaft, attached IEC motor, and "spread bearing design" with reinforced bearings



### SK 13307 - ASH - VL3 - NEMA

Three-stage parallel gear unit

- with hollow output shaft with shrink disc & cover, "spread bearing design" with "Drywell" and attached NEMA motor

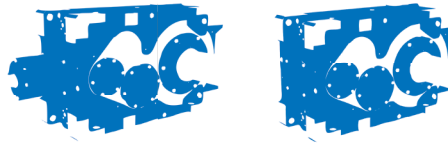


### SK 13307 - V - VL6

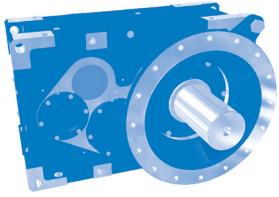
Three-stage parallel gear unit

- with solid output shaft and "spread bearing design" with "Drywell" and bolt on cover





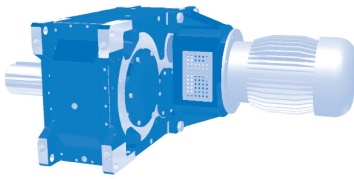
## Examples



### SK 13207 - V - FK

Two-stage right-angle gear unit

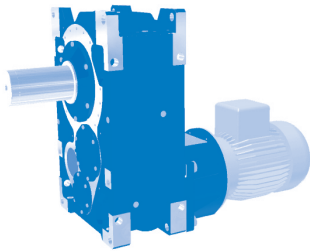
- with solid shaft and high flange on output



### SK 13307 - V - IEC

Three-stage right-angle unit

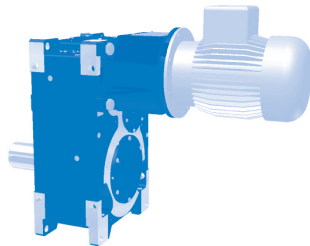
- with solid output shaft, and an attached IEC motor



### SK 13207 - V - NEMA

Two-stage parallel unit

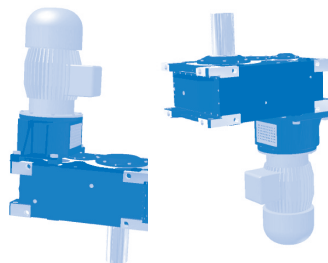
- with solid output shaft, and an attached NEMA motor



### SK 13307 - V - IEC

Three-stage parallel gear unit

- with solid output shaft, and an attached IEC motor



### SK 13207 - V - NEMA

Two-stage parallel gear unit

- with solid output shaft, and an attached NEMA motor

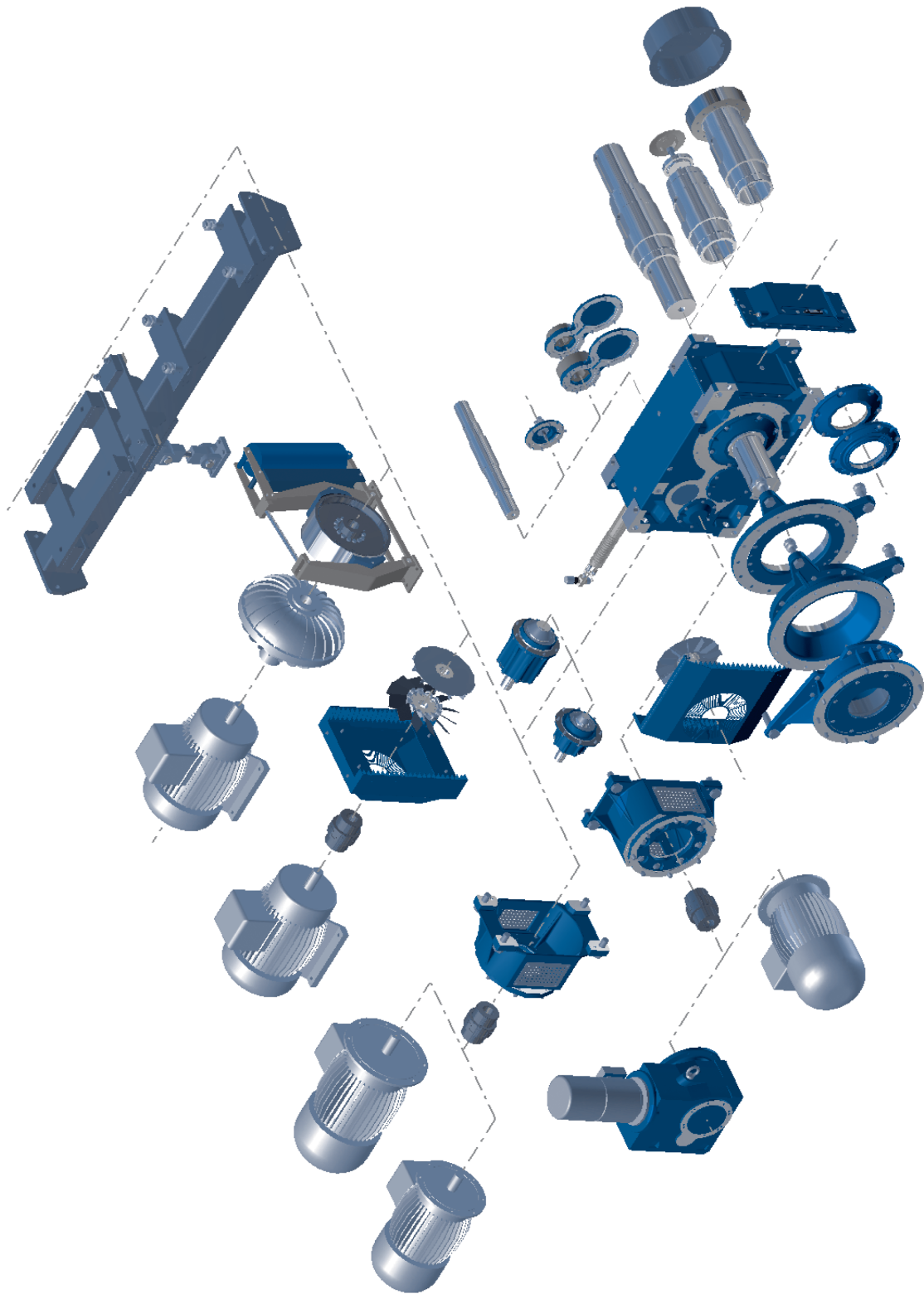
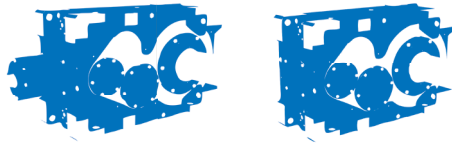


### SK 13407 - V - FAN

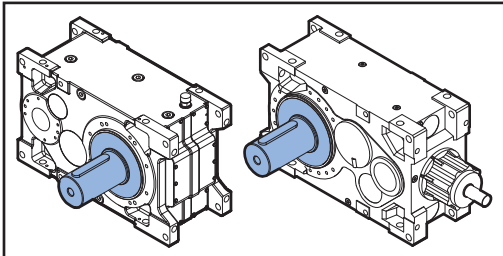
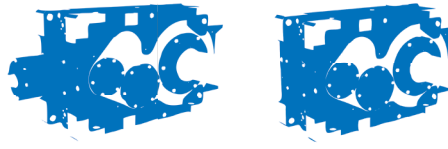
Three-stage right angle gear unit

- with solid output shaft
- with attached fan and protective cover

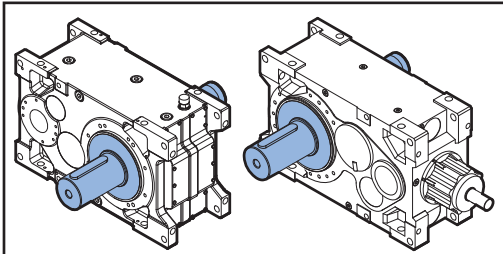




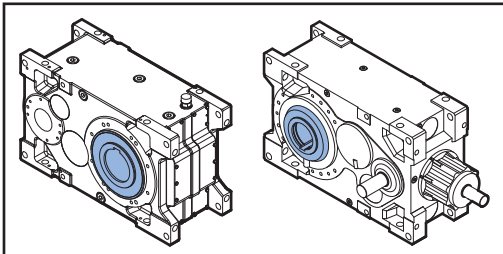
Options



Parallel & Right Angle Solid Shaft Examples



Parallel & Right Angle Double Solid Shaft Examples



Parallel & Right Angle Keyed Hollow Shaft Examples

## Shaft Options

### Solid Output Shaft (Blank or V)

NORD's standard keyed solid shafts include a centered threaded hole. When installing drive elements such as sprockets, coupling hubs, pulleys, etc. the threaded hole and a suitable assembly device can be used to assemble the drive element. Shafts are available as inch or metric versions.

### Double Solid Output Shaft (L)

The double solid shaft end is projected out both sides of the speed reducer. This option is commonly used to transfer torque out of both sides of the reducer or to mount a speed-monitoring device such as an encoder on one of the shaft ends. If you need the keyways to be aligned you must specify with NORD upon ordering.

### Keyed Hollow Output Shaft (A)

NORD's standard keyed hollow shafts feature standard keyway dimensions and are available in both inch and metric designs. Many NORD reducers offer a variety of hollow shaft diameters.

### Hollow Output Shaft with Spline (EA)

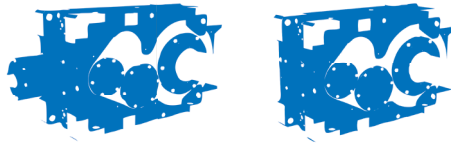
Hollow shafts with an involuted metric spline profile, according to DIN 5480, are available for some NORD hollow shaft reducers. NORD spline shafts are commonly used for crane travel drive applications.

### Solid Output Shaft with Spline (EV)

Solid output shafts with an involuted metric spline profile, according to DIN 5480, are available for some reducers.

### Solid Input Shaft with Spline (EW)

Solid output shafts with an involuted metric spline profile, according to DIN 5480, are available for some reducers.



## Fixing Kits for Hollow Shafts (B)

Due to the slight oscillations inherent in any rotating shaft, NORD offers an optional “fixing kit”. This is a method to prevent the reducer from “walking out” of position. The kit includes all of the necessary parts to secure the shaft in the axial direction by using a tapped hole in the end of the mating male shaft.

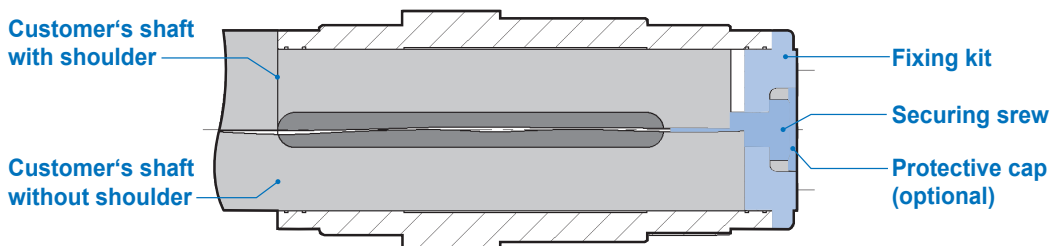
The fixing kits are used for assembling, dismantling and axial fixing to the customer’s shaft. The customer’s shaft may be with or without a shoulder.

**The threaded rod, assembly nut and dismantling screw are not provided with the fixing kit option.**

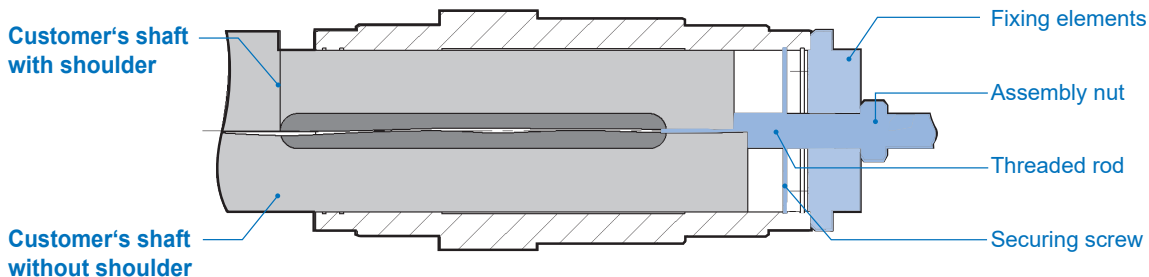
### Specifications for use:

- The solid shaft that is used must have a tap according to our factory standards.
- Space must be available to fit the fixing kit. The permissible shaft dimensions can be found on the hollow shaft dimension pages for each individual gearbox size on pages ⇨ 156 & 244.

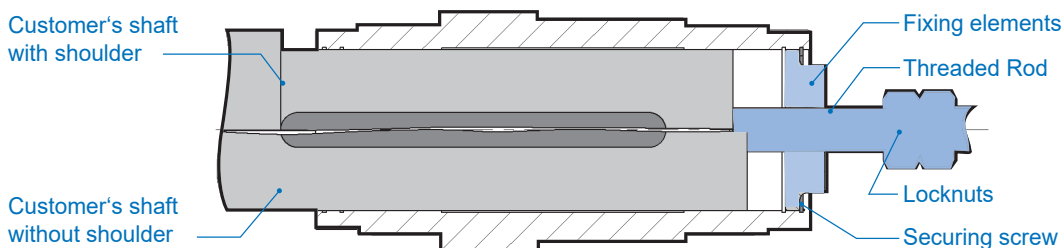
### Installation (fixing)

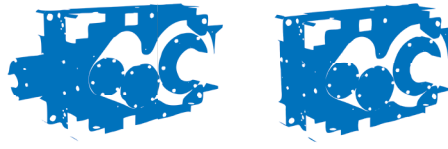


### Assembly



### Dismantling





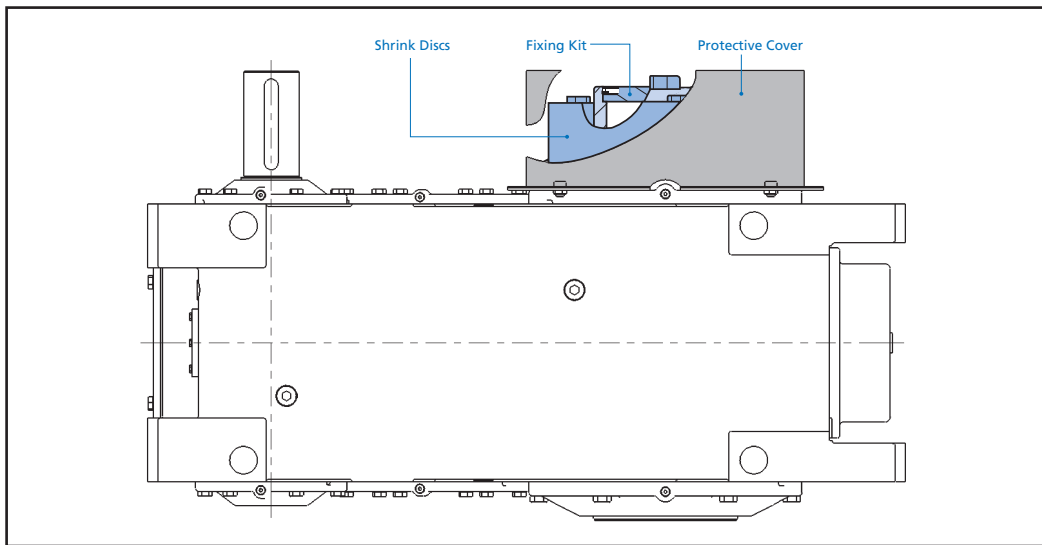
## Hollow Shaft with Shrink disc (AS)

For gearbox versions with a hollow output shaft, the use of a shrink disc is advised. The customer's shaft length that may be inserted into the hollow shaft of the gearbox can be found ⇒ 157 & 245.

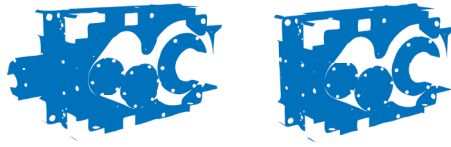
The diameter of the customer shaft should be according to ISO standard  $g_6$  ( $dk > 160\text{mm}$ ) and  $h_6$  ( $dk \leq 160\text{mm}$ ). The material of the customer's insert must have a yield strength ( $R_p$ ) of at least: **52,260 psi (360 N/mm<sup>2</sup>)**. Due to the clamping force, this will ensure that no permanent deformation occurs.

$T_{2max}$  = Maximum permissible drive torque

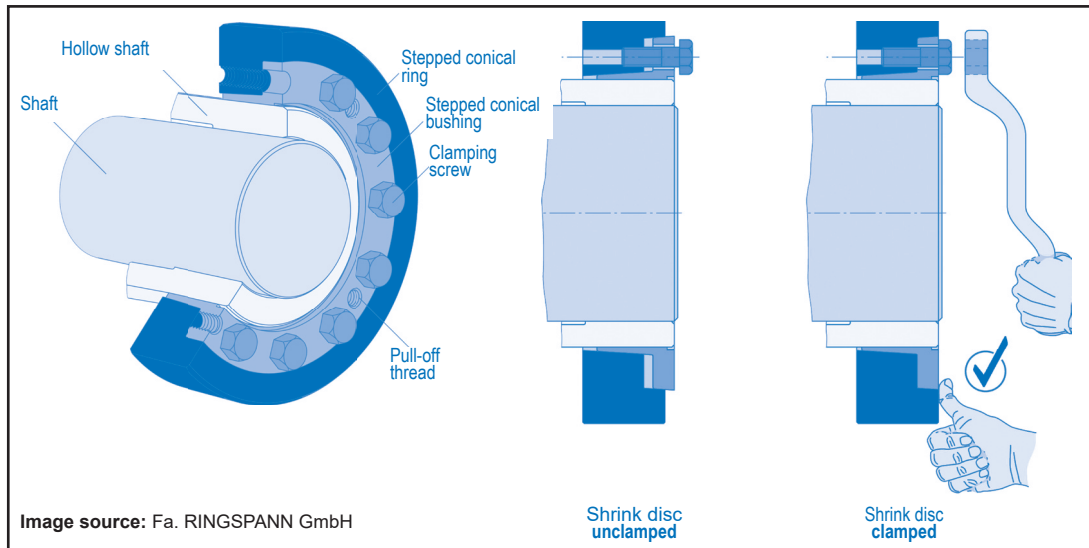
$s$  = Safety factor of the shrink disc for fitclass  $g_6$  or  $h_6$  with  $T_{2max}$



Gearbox	Size	Shrink disc			Clamping screw Number x Size
		$T_{2max}$ [Nm]	$T_{2max}$ [lb-in]	$s$	
SK 5.07 ASH	130	15,000	132800	2.4	14 x M12
SK 6.07 ASH	130	20,000	177000	1.8	14 x M12
SK 7.07 ASH	160	27,000	239000	2.0	12 x M16
SK 8.07 ASH	160	31,000	274400	1.9	12 x M16
SK 9.07 ASH	190	46,000	407100	2.3	16 x M16
SK 10.07 ASH	190	53,000	469100	1.9	16 x M16
SK 11.07 ASH	220	77,000	681500	2.3	16 x M20
SK 12.07 ASH	240	112,000	991300	2.1	18 x M20
SK 13.07 ASH	280	152,000	1345300	2.7	22 x M24
SK 14.07 ASH	280	212,000	1876400	2.0	22 x M24
SK 15.07 ASH	300	254,000	2248100	2.0	20 x M24
SK 15.07 ASH	340	282,000	2495900	2.0	20 x M24



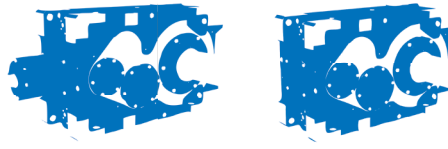
## Hollow Shaft with Shrink disc (AS)



## Shaft Cover / IP66 Shaft Cover (H/H66)

The Shaft cover provides protection from rotating parts and the shrink disc when applicable.

The IP66 shaft cover provides the same protection from the shrink disc and rotating parts as well as being rated IP 66, which means that it is dust tight and capable of protecting against high pressure water jets.



## Backstops (R)

Optional backstops, which allow rotation in only one direction and block the other direction of rotation may be supplied. All backstops are mounted externally and are able to be changed without disassembly of the gear unit.

The lubrication of the backstop is provided by the oil from the gear reducer. The backstops lift off due to centrifugal force above a certain lift-off speed (see table) and are then free of friction.

Gear Units	Nominal Ratio $i_N$	Nominal Input Speed $n_1$ [rpm]
SK 5207	7.1 - 25	430
SK 5307	28 - 315	670
SK 5407	18 - 25	671
	28 - 50	1088
	56 - 100	1759
SK 5507	112 - 400	2740
SK 6207	8.0 - 28	430
SK 6307	31.5 - 355	670
SK 6407	20.0 - 25	671
	28.0 - 50	1088
	56.0 - 112	1759
SK 6507	125 - 445	2740
SK 7207	7.1 - 25	400
SK 7307	28.0 - 315	430
SK 7407	15.0 - 25	624
	28.0 - 50	1012
	56.0 - 100	1636
SK 7507	112 - 400	1759
SK 8207	8.0 - 28	400
SK 8307	32.5 - 355	430
SK 8407	20.0 - 28	624
	31.5 - 56	1012
	63.0 - 112	1636
SK 8507	125 - 450	1759
SK 9207	7.1 - 25	320
SK 9307	28.0 - 355	400
SK 9407	18.0 - 25	499
	28.0 - 50	810
	56.0 - 100	1309
SK 9507	112 - 400	1636
SK 10207	8.0 - 28	320
SK 10307	31.5 - 400	400
SK 10407	20.0 - 28	499
	31.5 - 56	810
	63.0 - 112	1309
SK 10507	125 - 450	1636

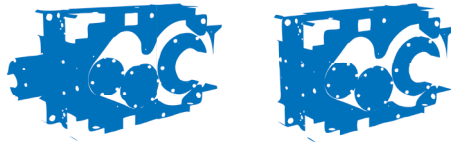
Gear Units	Nominal Ratio $i_N$	Nominal Input Speed $n_1$ [rpm]
SK 11207	5.6 - 20	320
SK 11307	31.5 - 112	320
	22.4 - 28	400
SK 11407	12.6 - 28	448
	31.5 - 45	698
	50.0 - 71	1136
SK 11507	112 - 100	1136
	80.0 - 400	1420
SK 12207	5.6 - 20	250
SK 12307	22.4 - 112	320
SK 12407	12.5 - 28	352
	31.5 - 45	544
	50 - 71	888
SK 12507	80.0 - 400	1136
SK 13207	5.6 - 20	250
SK 13307	22.4 - 112	320
SK 13407	12.5 - 28	352
	31.5 - 45	544
	50.0 - 71	886
SK 13507	80.0 - 400	1136
SK 14207	7.1 - 25	240
SK 14307	28.0 - 140	250
SK 14407	14.0 - 40	373
	45.0 - 56	522
	63.0 - 90	851
SK 14507	100 - 400	886
SK 15207	5.6 - 20	220
SK 15307	22.4 - 112	250
SK 15407	12.5 - 28	310
	31.5 - 45	479
	50 - 71	781
SK 15507	80.0 - 400	886



### IMPORTANT NOTE



Please contact NORD if the motor input speed is greater than 1800 rpm or less than 1000 rpm (⇒ [17](#), [45](#))

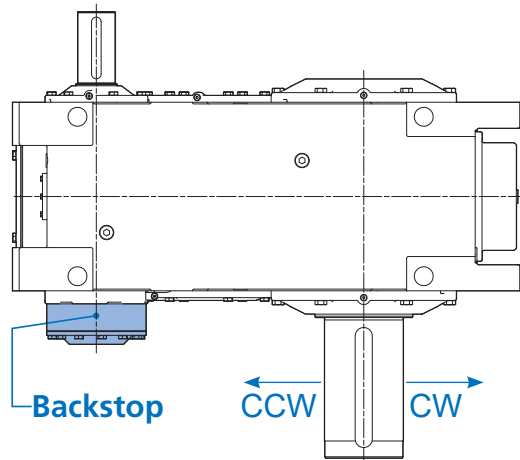


## Backstops (R) (rotation)

When ordering the backstop option, the direction of rotation must be specified. The direction of rotation is based upon looking directly at the drive shaft and specifying which direction you want it to turn.

CW = Clockwise direction of rotation, Right-hand rotation  
CCW = Counterclockwise direction of rotation, Left-hand rotation

The position of the output shaft and the side on which the backstop is installed determine the direction of rotation. The direction of view for declaring the rotation direction is always towards the output shaft that is being specified.



### **IMPORTANT NOTE**



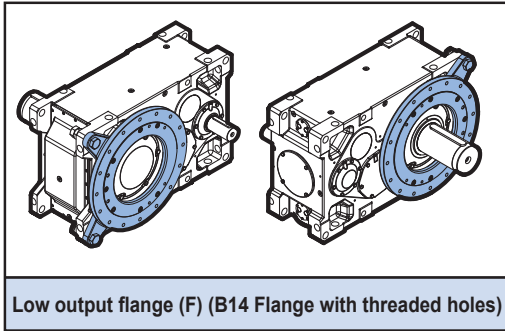
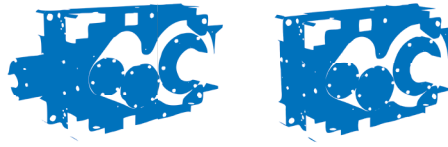
The backstops are designed for double the rated gearbox torque ( $T_{2max}$ ) with reference to the output shaft. If greater safety ratings are required, please consult NORD.



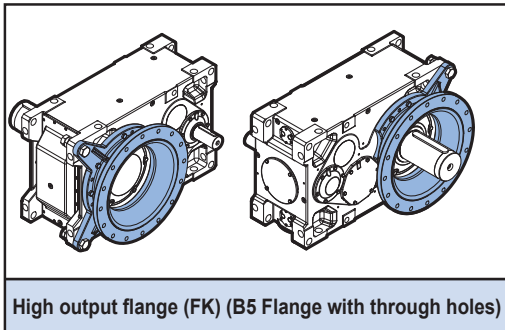
### **WARNING**



Danger of failure and distraction. Check the direction of rotation of the motor and the gearbox before starting up your application. Arrows on the gearbox indicate the direction of rotation.



Low output flange (F) (B14 Flange with threaded holes)



High output flange (FK) (B5 Flange with through holes)

## Output flanges (F, FK)

In addition to the six mounting surfaces of the housing, the gearbox may be equipped with various mounting flanges. The output flange is designed to accommodate mounting a gearbox with an attached motor. However, the permissible motor weights (⇒ [77](#)) must not be exceeded.

Please contact us if you wish to use the mounting flange in order to attach to parts of an application process. In this case, technical clarification is essential.

The following types of output flanges are available:

- Low output flange (F)
- High output flange(FK)
- VL2 / VL3 flange (Reinforced Output Design)
- VL4 flange (Reinforced Output Design)
- VL5 extruder flange
- VL6 Housing (Reinforced Output Design)

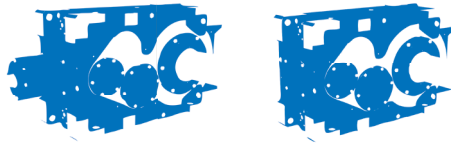
### Low Output Flange (F)

The F option is a B14 output flange for the connection to customers application. It is used if threaded holes are requested.

### High Output Flange (FK)

The option FK is a B5 output flange for the connection to customers application. It is used if through holes are requested.





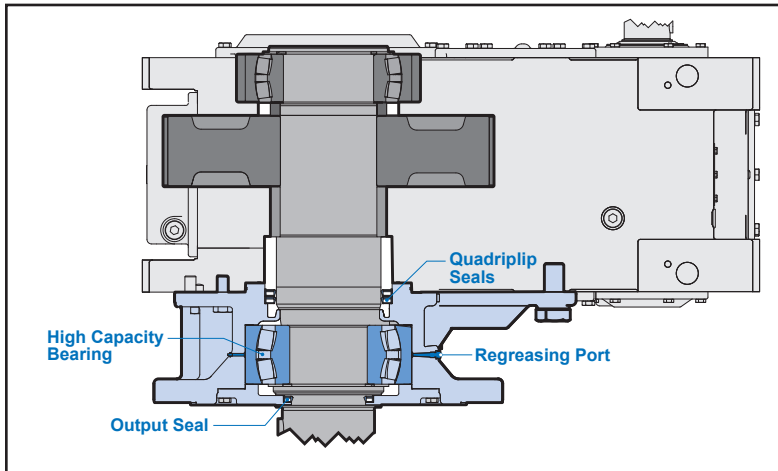
## Reinforced output design (VL2 / VL3 / VL4 / VL6)

The reinforced output design is specifically designed for high radial loads as well as keeping the bearing cavity dry and without contamination. There are different levels of protection that NORD offers.

### Spread Bearing Design (VL2)

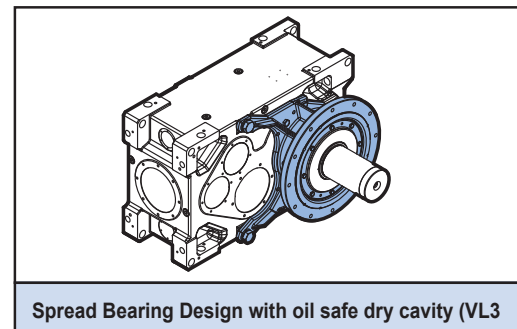
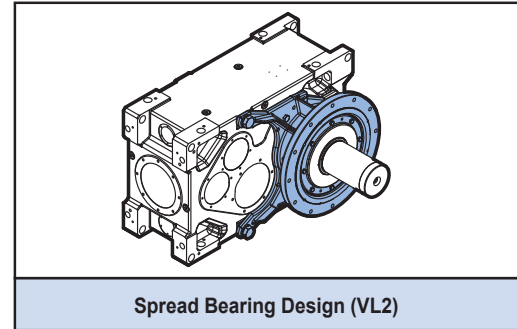
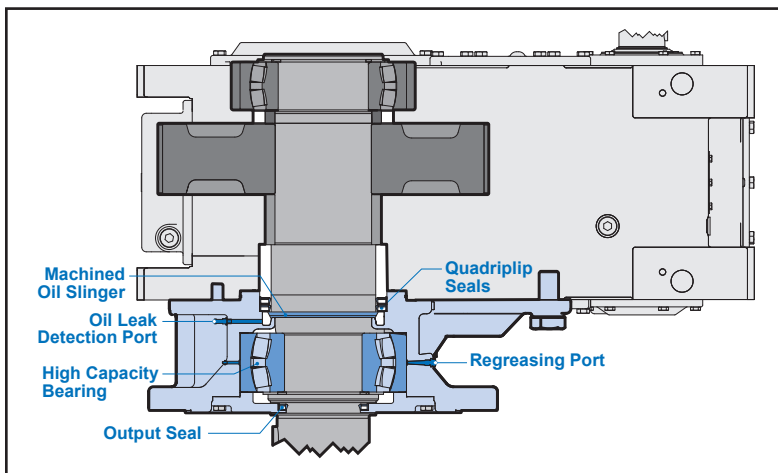
The VL2 option is specifically designed for agitator or mixer applications requiring increased bearing load carrying capacities.

NORD offers reinforced output shaft bearings with increased bearing distance. The lower bearing is a oversized, double row spherical bearing, which absorbs high overhung and thrust loads, while providing a longer bearing service life. The spherical roller bearing is especially useful in compensating for alignment errors in long agitator shafts. Included with the VL2 design is a grease fitting for the lower bearing and a removable plug to allow excess grease to purge from the bearing cavity.



### Spread Bearing Design with Oil Safe Dry Cavity (VL3)

The VL3 dry cavity design adds additional oil leak protective measures to the VL2 spread bearing design. If in any case oil does leak past the reducer seals, it would flow down to the oil slinger mounted onto the shaft. As the shaft rotates, the oil will sling off into the dry cavity and is detected by an oil sensor.

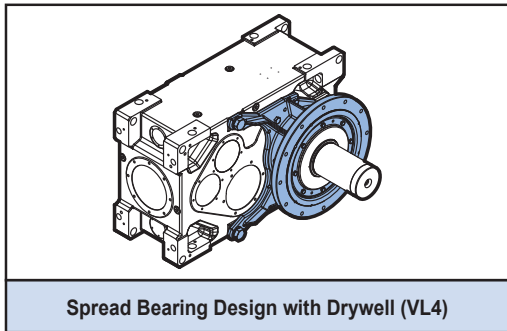
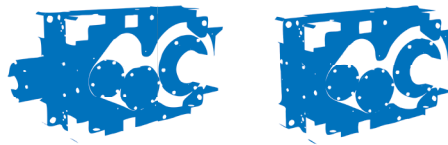


**IMPORTANT NOTE**

Calculation of the bearing life on request.

**For bearing life calculation we require the following data:**

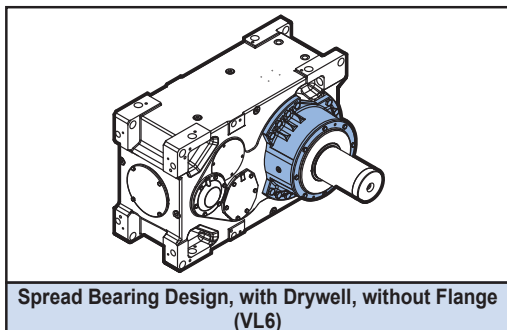
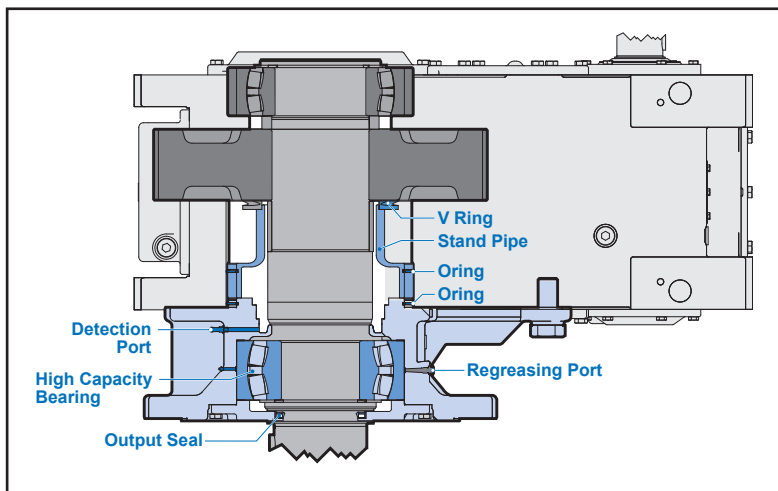
$P_1$	Input power	[kW/HP]
$n_2$	Output speed	[rpm]
$F_A$	Axial force (thrust)	[kN/lb]
$F_R$	Radial force	[kN/lb]
	Distance of the point of action of the radial force from the flange support	[mm]
	Required bearing life	[mm]



Spread Bearing Design with Drywell (VL4)

## Spread Bearing Design with Drywell (VL4)

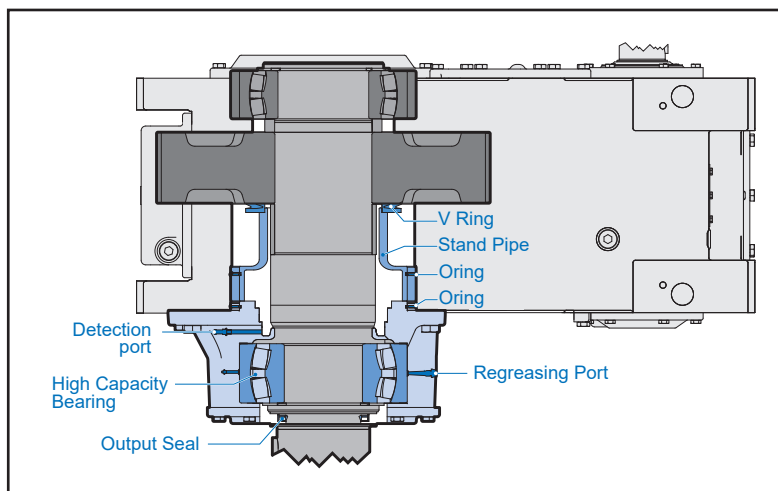
The VL4 Drywell design adds additional oil leak protective measures to the VL3 design. The quadrilip seals are replaced with a standpipe that has additional sealing that includes a V-ring seal and multiple O ring seals. All of the additional benefits included in the VL3 option are also included in this design.



Spread Bearing Design, with Drywell, without Flange (VL6)

## Spread Bearing Design with Drywell, without Flange (VL6)

The VL6 option includes all of the internal VL4 design elements but is housed by a bolt on non-flanged cover:

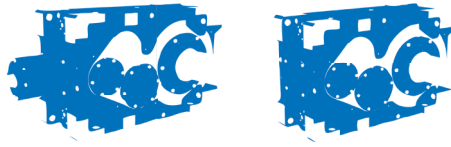


**! IMPORTANT NOTE !**

Calculation of the bearing life on request.

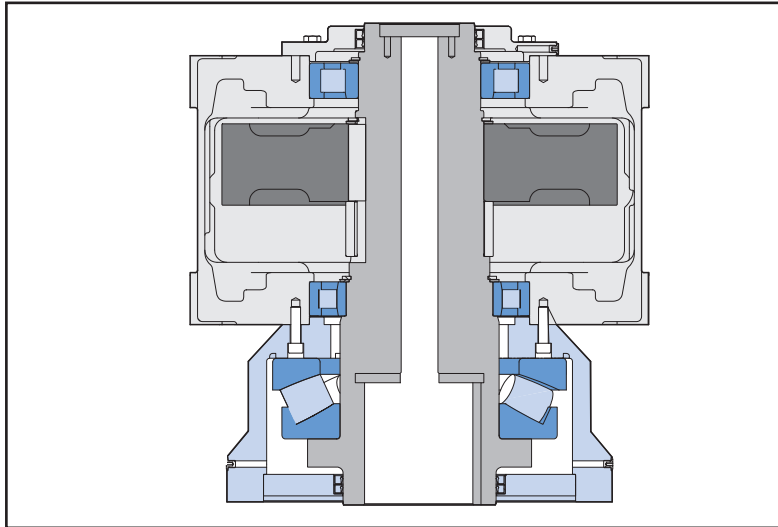
For bearing life calculation we require the following data:

$P_1$	Input power	[kW/hp]
$n_2$	Output speed	[rpm]
$F_A$	Axial force (thrust)	[kN/lb]
$F_R$	Radial force	[kN/lb]
	Distance of the point of action of the radial force from the flange support	[mm]
	Required bearing life	[mm]



## Extruder flange with axial thrust bearings (VL5)

The VL5 extruder design combines customer-specific flange and hollow shaft dimensions and tolerances with 2 or 3 different standardised axial bearing dimensions per size in order to economically cater for the specific requirements of the application.



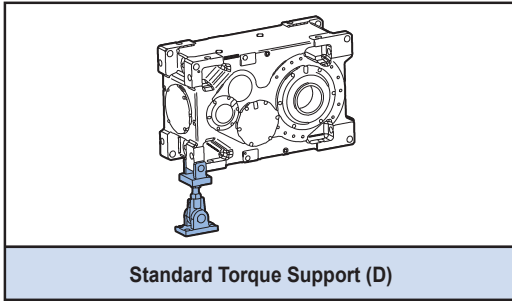
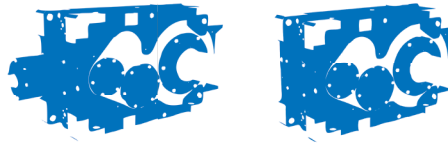
This option is available in 7 different sizes for torque ranges between 15 and 75 kNm (MAXXDRIVE sizes SK 5.07 - SK 11.07).

We require the following data for the selection of the most suitable set of bearings:

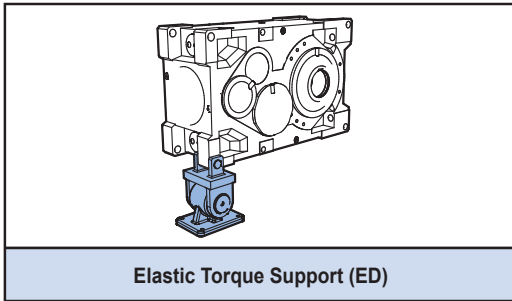
- Axial force or diameter and pressure
- Output speed
- Flange dimensions (hole pattern, centring collar)
- Output shaft dimensions
- Expected service life (primarily for axial bearings)

### Note:

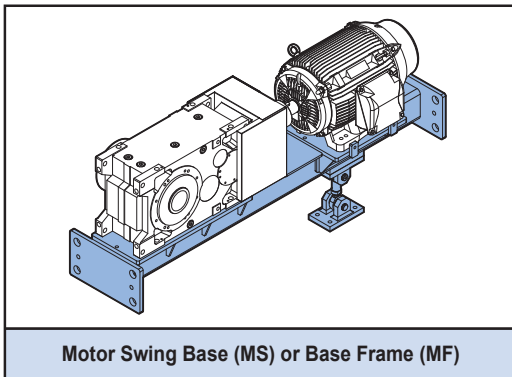
All the aforementioned flange variants are also available with taper roller bearings (KL2 - KL4, KL6). The selection is made according to the specific conditions of the application..



Standard Torque Support (D)



Elastic Torque Support (ED)



Motor Swing Base (MS) or Base Frame (MF)

## Torque Support (D) (ED)

For shaft mounted versions of our hollow shaft gearboxes, torque supports are available. In addition to a simple torque support (D), NORD DRIVESYSTEMS offers a torque support with an integral elastic bushing (ED), which has better damping characteristics (vibration damping).

The torque support should be assembled on the machinery side, in order to keep the bending moment on the machinery shaft low. Loading under tension or compression and installation upwards or downwards are permissible. The torque support may only be installed closest to the input side, otherwise the permissible loading of the gear unit will be exceeded.

Preloading the torque support during installation or operation must be avoided, otherwise the life-span of the drive shaft bearings may be reduced. Torque supports are not suitable for the transmission of radial forces, therefore may only be used in direct-coupled applications that cannot transmit the specified radial forces.

**WARNING**

The output torque must be limited to the values shown in the table below. If greater torque ratings are necessary, please consult NORD.

Gear Units	$M_{2MAX}$ [Nm]		$M_{2MAX}$ [lb-in x 1000]	
	Type D	Type ED	Type D	Type ED
SK 5.07	15,000	15,000	133	133
SK 6.07	20,000	20,000	177	177
SK 7.07	25,000	23,500	221	208
SK 8.07	31,000	25,000	274	221
SK 9.07	40,000	42,000	354	372
SK 10.07	41,000	46,500	363	412
SK 11.07	66,000	66,000	584	584
SK 12.07	101,000	74,000	894	655
SK 13.07	131,000	150,000	1,159	1,328
SK 14.07	170,000	190,000	1,505	1,682
SK 15.07	240,000	240,000	2,124	2,124

## Motor Swing Base (MS)

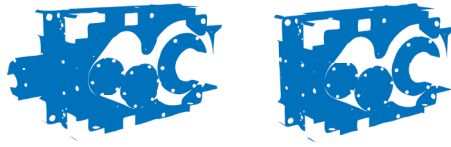
The motor swing base is designed specifically for use with right-angle shaft mounted gear unit where the gearbox and motor are mounted on a common base frame. The torque is taken up via torque support or torque reaction arm.

Optional components (can be combined):

- Elastic coupling, fluid coupling
- Drum brake, disc brake
- Radial / Axial fan
- Auxiliary drive  
(with freewheel coupling, backstop, motor brake , etc.)
- Torque support, attachment plate

## Motor Base Frame (MF)

Motor base frames (or motor bases) are similar to a motor swing base except the entire base frame is intended to be foot mounted to the supporting machine structure.



## Swing Base with Brake (MSB) & Base Frame with Brake (MFB)

A motor swing base or base frame can be supplied with an optional disc or drum brakes installed between the motor and the gear unit.

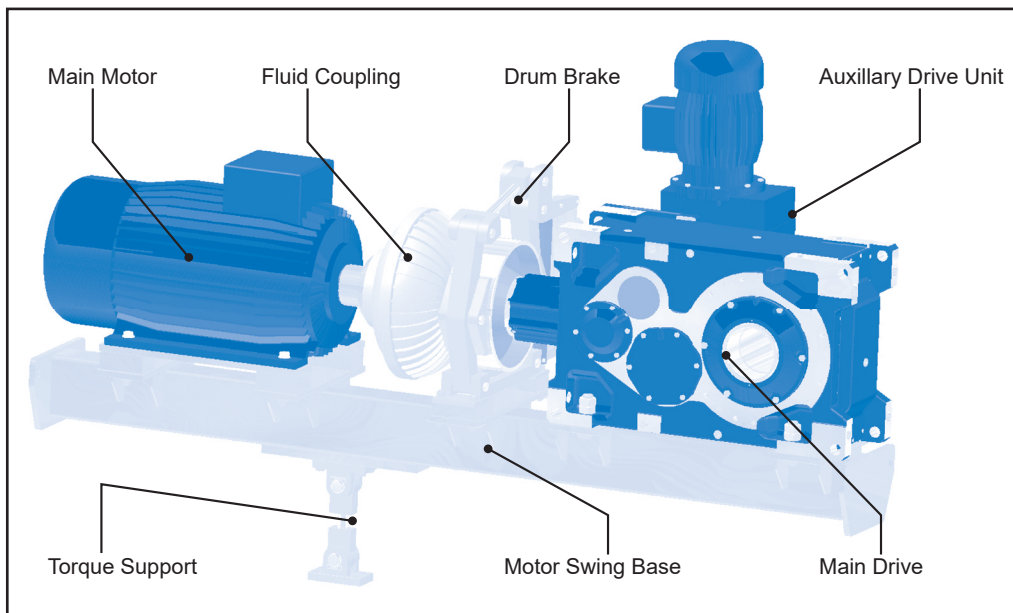
For applications with a relatively high external moment of inertia ( $m_{af} > 2$ ), as often the case with travelling drives, slewing gear, turntables, gate drives, agitators and surface ventilators, it is recommended that a brake torque be selected that is no greater than 1.2 times the nominal torque of the motor.

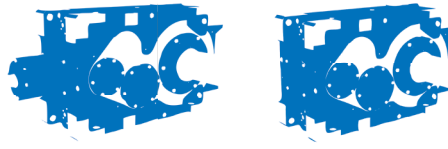
When a higher brake torque is required this must be considered in the selection of the gear unit. Please consult NORD DRIVESYSTEMS. Also contact NORD DRIVESYSTEMS if an output-side brake is necessary.

## Motor Swing Base and Motor Base Options (MSK, MST, MFK, MFT)

Both the motor swing base and the motor base are commonly supplied with either an elastic input coupling or a fluid coupling. In addition, many drive packages require a brake between the motor and the input-side of the reducer. The most common motor swing base or motor base options may be specified as follows:

Description	Option Code
Swing base with elastic coupling	<b>MSK</b>
Motor base with elastic coupling	<b>MFK</b>
Swing base with elastic coupling and brake	<b>MSKB</b>
Motor base with elastic coupling and brake	<b>MFKB</b>
Swing base with fluid coupling	<b>MST</b>
Motor base with fluid coupling	<b>MFT</b>
Swing base with fluid coupling and brake	<b>MSTB</b>
Motor base with fluid coupling and brake	<b>MFTB</b>





## Couplings (input and output)

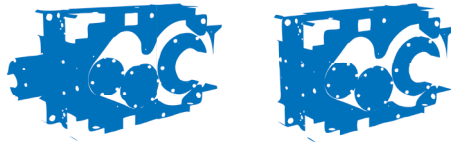
Upon request, NORD DRIVESYSTEMS can provide a variety of coupling types and styles. In addition to various flexible, fail-safe couplings (Jaw coupling: e.g. Rotex, Polynorm / Bolt coupling: e.g. Revolex KX-D) soft-start couplings (fluid couplings), and safety couplings (e.g. Autogard) can be supplied. As output couplings, short length elastic fail-safe bolt couplings can be supplied, as well as gear couplings which can also span greater distances. Please contact us if you have special requirements for input or output couplings.

- Common input couplings include: flexible, jaw-style, fluid couplings (to help control start-up), safety couplings or torque-overload couplings.
- Common output couplings include: elastic bolt couplings (for shorter span lengths), flange couplings or gear couplings (for larger span lengths).

## Brakes

For motor swing bases and base frames optional disc or drum brakes are available, which can be installed between the motor and the gear unit. However, there is also the possibility of installing the disc brake on the free end of an input shaft. For applications with a relatively high external moment of inertia ( $m_{af} > 2$ ), such as is often the case with travelling drives, slewing gear, turntables, gate drives, agitators and surface ventilators it is recommended that a brake torque is selected, which is no greater than 1.2 times the nominal torque of the motor.

If higher brake torques are to be used, this should be taken into account in the selection of the gear unit. In this case, please contact us. Please contact us if output brakes are necessary. (Disc brakes, drum brakes)



## Input Flange (F1)

Gear units with input flange and solid-shaft input can be supplied to allow for additional drive components to be attached to the input (high speed) side of the reducer. It is possible to use the input flange to install an accessory such as a disc brake or a torque overload or to install an additional gear reduction mechanism to the main reducer.

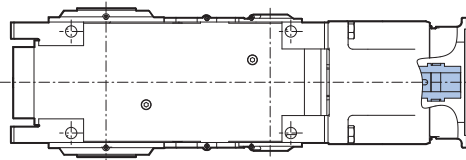
## Direct motor attachments & IEC / NEMA adapters

Input adapters according to NEMA/IEC and Transnorm standards can be supplied. The maximum input power stated in the power and ratio tables cannot be exceeded.

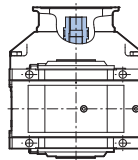
For higher speeds than those stated in the power and ratio tables, special measures may be necessary. In these situations please contact NORD DRIVESYSTEMS Gear.

## Motor attached to IEC / NEMA adapter cylinders with an elastic coupling

### Right Angle Drives



### Parallel Drives



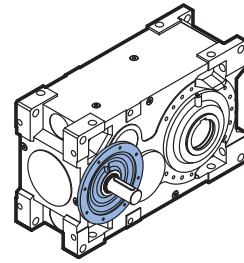
Maximum permissible motor weight paired with an elastic coupling according to size										
IEC	100	112	132	160	180	200	225	250	280	315
NEMA	143/145 TC	182/184 TC	213/215 TC	254/286 TC	284/286 TC	324/326 TC	364/365 TC	404/405 TC	444/445 TC	447/449 TC
lb	130	180	220	440	550	770	1100	1540	2200	3310
kg	60	80	100	200	250	350	500	700	1000	1500
"X" [mm]	190	175	190	250	300	330	380	400	465	610

If the centroidal distance is larger than "X", the maximum permissible weight must be linearly reduced. The maximum weight cannot be increased, even if the "X" dimension is smaller. Please refer to illustration on the left.

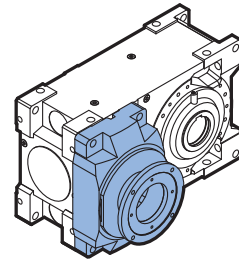
If the motor weight is greater than the gearbox weight please contact NORD.

## Motor Scoop (MC)

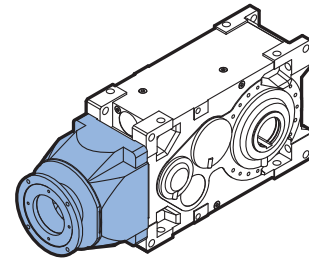
The motor scoop provides a "soft" mounting" for a standard NEMA T-frame or IEC B3 footed motor. The motor bracket or scoop is mounted to the gear unit in a cantilevered fashion to allow direct-coupling of the motor to the reducer's input shaft. Motor scoops can have the tendency to deflect or twist during reducer operation and in some cases vibrations may result that exceed those considered acceptable for rigid "hard" mounted machinery. The motor size, weight, location, and starting torque all need to be considered in order to provide an adequate design.



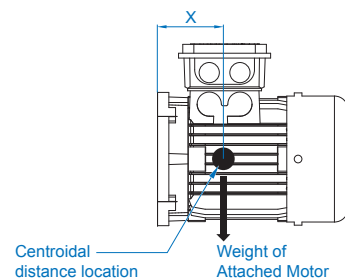
Input Flange (F1)



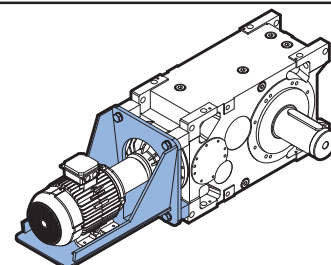
Parallel Gear Unit and NEMA / IEC



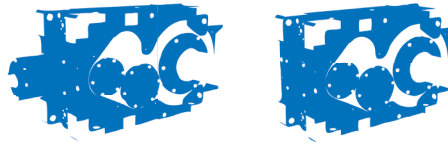
Right-Angle Gear Unit and NEMA / IEC



Definition of center of gravity distance "X"



Motor Scoop (MC)



## Motor Bracket (MT)

The motor bracket provides a convenient way to mount a standard NEMA T-frame or IEC B3 footed motor with belt drive to the reducer. Often the motor bracket is mounted “over-the-top” of the reducer and referred to as a “top-mount” or “piggyback” motor bracket.

The motor is belt driven to the reducer input shaft using pulleys mounted to both the motor shaft and the reducer shaft. When mounted to the gear unit, the entire assembly is adjustable in order to allow proper tensioning of the external belt drive assembly. The motor bracket can be used when installation space is restricted or it may be used to change the total ratio of the mechanical drive assembly. The belt-pulley drive arrangement can be used as a safety element, as it reacts to overload by slipping. Factory consultation is necessary if one intends to use the belt-pulley drive as a safety device.

## Auxiliary drives (WX)

The auxiliary drive is flange-mounted to the side face of the main right angle reducer, opposite the low speed shaft, using an intermediate flange and shaft connection. The connection between the main drive and the auxiliary drive is assembled with an overrunning clutch. During normal operation of the main drive, the clutch is disengaged. When it becomes necessary to operate the system at slow speed or “inch” the main reducer, the main motor is stopped and auxiliary motor and reducer engage the main drive through the overrunning clutch connection.

The auxiliary drive or inching drive is available to allow for the inspection and maintenance of belts and buckets and to allow for slow speed operation of conveyors or elevators that operate in cold-weather. The auxiliary drive should be equipped with a brake or brake motor in order to prevent unintended rotation or back driving.

### The following auxiliary drive options are available:

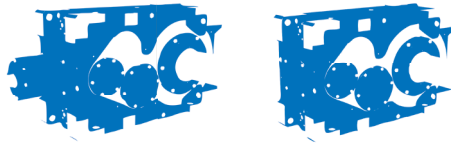
- with overrunning clutch and backstop assembled in the intermediate flange (to prevent reverse rotation of the system), (standard design).
- with overrunning clutch in the flange and separate backstop as part of the main drive (to prevent reverse rotation of the system).
- with overrunning clutch assembled in the intermediate flange and no backstop.

## Monitoring devices and sensors (MO)

The following monitoring devices are also available as options. Please contact us for detailed information about any of the options listed below.

- Oil level glass
- Oil sight glass
- Oil dip-stick
- Pt100 (Temperature)
- PTC thermistor (Temperature)
- Bimetal switch (Temperature)
- Particle counter (oil)
- Water content (oil)
- Electrical contamination indicator for oil filter
- Optical contamination indicator for oil filter
- SPM nipple (vibrations)
- Bearing condition monitor with evaluation unit
- Oil condition monitoring
- Pressure monitoring (oil circulation)
- Other options available upon request





## Paint Coatings

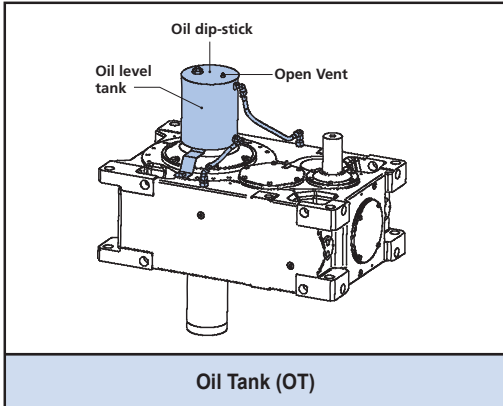
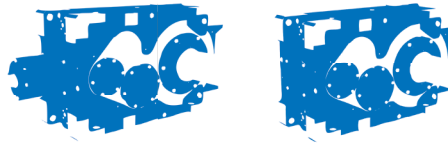
NORD has a variety of paint coating options available in order to protect your investment regardless of the application's environment. Please refer to the table below for details:

Coating / Field of Application	Class**	Structure	Coating Thickness*
<b>Basic</b> <b>Basic+</b> Indoor installation. <i>Previously F2</i>	C2		50 - 90 µm
<b>NORD Severe Duty 2</b> <b>NORD Severe Duty 2+</b> Indoor installation and protected outdoor installation (i.e. open, unheated halls). <i>Previously F3.0</i>	C2		110 - 150 µm
<b>NORD Severe Duty 3</b> <b>NORD Severe Duty 3+</b> Outdoor installation, city, and industrial atmosphere with low contamination. <i>Previously F3.1</i>	C3		160 - 200 µm
<b>NORD Severe Chem Duty 3</b> Normal chemical contamination. <i>Previously F3.4</i>	C3		100 - 140 µm
<b>NORD Severe Food Duty 3</b> <b>NORD Severe Food Duty 3+</b> Food packaging areas. <i>Previously F3.5</i>	C3		100 - 140 µm
<b>NORD Severe Duty 4</b> <b>NORD Severe Duty 4+</b> Outdoor installation, city, and industrial atmosphere with moderate contamination. <i>Previously F3.2</i>	C4		220 - 260 µm
<b>NORD Severe Duty 5</b> <b>NORD Severe Duty 5+</b> Outdoor installation, city, and industrial atmosphere with high contamination. <i>Previously F3.3</i>	C5		200 - 240 µm

A	Optional clear lacquer coating (+ versions) Coating Thickness + 25 µm	T	2-Component Polyurethane Top Coat
		E	2-Component EP Zinc Phosphate Primer
Z	Levelling of contour recesses and gaps with polyurethane-based sealant possible for NSD2, NSD3 and NSD4 Included in NSD5	P	2-Component Polyurethane Primer
		D	Single Component Dip Primer (for cast-iron units only)

\*\*Comparable to DIN EN ISO 12944-2 classification of ambient conditions

\*Protocol of the coating thickness based on ISO 19840 available on request.

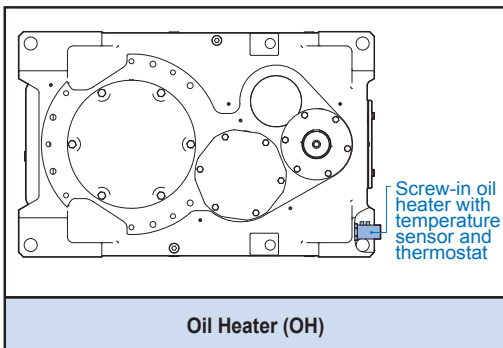


Oil Tank (OT)

## Oil Tank (OT)

Sometimes the gearbox must be completely filled with oil in order to prevent excessive foaming and aeration while also preventing excessive pressure build-up or a critical loss in oil volume through the air vent or shaft seals. The oil tank must be located above the gear unit. Even at non-operating ambient conditions, a small amount of oil should be visible in the bottom of the oil reservoir. During operation, all critical bearing and gear areas are submersed in oil, especially the high-speed gear set. This prevents oil foaming.

The oil tank is vented and includes two flexible oil hoses that are connected to the gear unit in order to assure proper ventilation and passive oil circulation. Prior to start-up the oil level must be topped off and checked using the oil level dipstick that is part of the oil tank.



Oil Heater (OH)

## Oil heater (OH)

In case the ambient temperature is lower than what is permissible, the gear oil must be heated prior to a cold start, in order to ensure an adequate supply of lubricant. For these conditions, an oil heating cartridge may be installed into the gearbox.

The oil heater has both a temperature sensor and a thermostat, which is preset. Further variations are available on request.

If pressure circulation lubrication is used, the operational viscosity of the gear oil on start-up must be below 1800 cSt. For ISO-VG220 this corresponds to a temperature of at least (50°F) 10°C for mineral oil, and a temperature of at least (32°F) 0°C for synthetic oil. Below this range an oil heater must be used.

**IMPORTANT NOTE**

When the following conditions exist consult NORD in order to determine if an Oil Tank (OT) option is needed:

- Parallel shaft unit with motor or input shaft vertical-up (M5 or M6 mounting position)

If a vertical mounting position is also required please reference the vertical mounting information found on page ⇒ 10

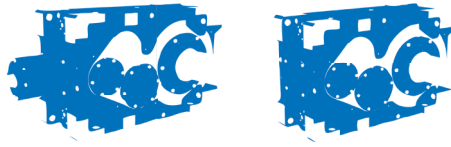
**WARNING**

The oil heater must be fully immersed in the oil bath in order to prevent damage. Please contact NORD if there is a need for an oil heater to be used in combination with pressure forced lubrication. (LC/LCX) More info on page ⇒ 82.

## Oil Heater Compatibility

	Heating power for M1 and M3 mounting							
	340 W	380 W	470 W	590 W	760 W	870 W	1030 W	1410 W
SK 5.07	M1/M3 *							
SK 6.07	M1/M3 *							
SK 7.07		M1/M3 *						
SK 8.07		M1/M3 *						
SK 9.07			M1/M3 *					
SK 10.07			M1/M3 *					
SK 11.07				M1			M3	
SK 12.07				M1			M3	
SK 13.07					M1			M3
SK 14.07					M1			M3
SK 15.07						M1		M3

\* In case of greater heating powers, please contact NORD DRIVESYSTEMS. Depending on the oil level, other installation positions can often be equipped with an oil heater. Please contact NORD DRIVESYSTEMS.



## Internal Water Cooler (CC)

The internal water cooler is a cooling coil inside the gearbox, located in the oil sump, where the end user connects the coil to a suitable water supply. Two cooling coils may be installed for mounting positions M2, M4, M5, M6 and with complete oil filling on request.

With two coiling coils installed the thermal rating can be doubled.

	<b>WARNING</b>	
<ul style="list-style-type: none"> <li>• Integrated water cooling can be used for oil splash and immersion lubrication, however, not with pressure circulation lubrication.</li> <li>• The cooling element must be completely submerged in the oil bath.</li> </ul>		

As an option, mechanical and electrical solutions for controlling the flow of cooling water are available. This allows the water consumption to be regulated by the actual required cooling power.

	<b>IMPORTANT NOTE</b>	
<p>Sea water-resistant integrated cooling is available on request. Consultation with NORD is necessary in case of any other aggressive cooling media.</p>		

### Connection of the Internal Water Cooler

Temperature-controlled cooling water with quantity regulation and a temperature sensor (optional).

### Operating Conditions

Water inlet temperature:	68° F	20° C
Oil temperature:	221° F	105° C
Ambient temperature:	68° F (104° F)	20° C (40° C)
Flow rate:	maximum: 1 -3.2 g/min	maximum: 4 -12 l/min
Pressure drop of cooling water	approx. 7.25-14.5 psi*	approx. 0.5 - 1 bar*

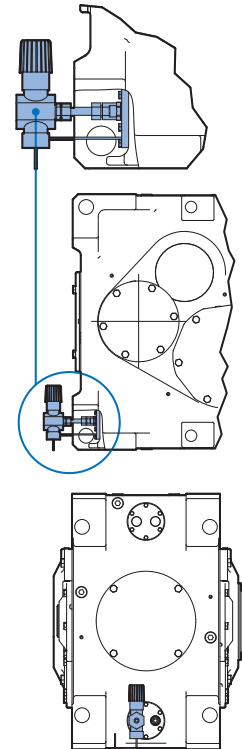
\* maximum pressure of cooling water is 87 psi/6 bar

For other operating conditions, corrections to the specified thermal power limit must be taken into account.

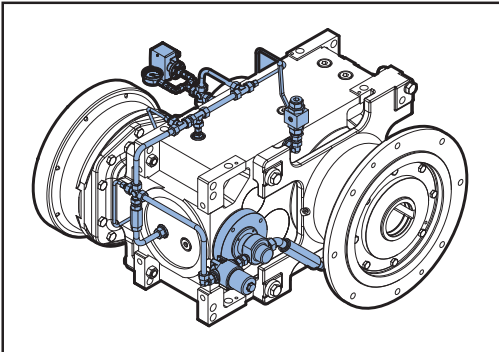
### Optional:

Temperature-controlled flow regulator to control the rate of water flow.

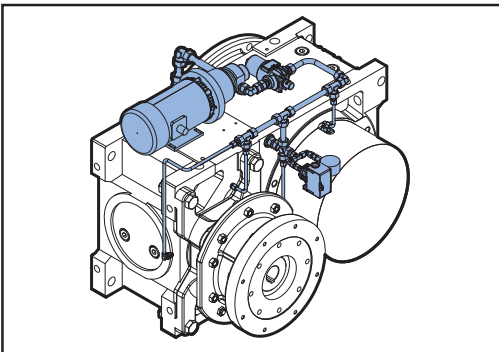
	<b>IMPORTANT NOTE</b>	
<p>For low temperatures the internal water cooler may also be used as an oil heater by filling it with warm water before starting up the gearbox .</p>		



Options



Pressure Forced Lubrication (LCX) - Shaft Driven



Pressure Forced Lubrication (LC) - Motor Driven

## Pressure Forced Lubrication (LC/LCX)

With pressure or forced lubrication, a pump (shaft driven or motorized) is provided, which allows a relatively low oil level to be maintained. The pump and oil distribution lines deliver the oil to all critical gear and bearing areas. Oil levels may be lowered, even compared to standard splash oil levels. This type of lubrication is advisable for the following operating conditions:

- When splash or bath lubrication is not possible or not thermally advantageous.
- When high input speeds are present and the speed limit for other lubrication methods are being exceeded (based on size, ratio and mounting).
- If a drywell is required with a vertical output shaft.

There are two available forced lubrications system options, LC & LCX. The LC option only forces lubrication into the bearing cavities while the LCX option provides pressurized lubrication to the bearings as well as gearing.



### IMPORTANT NOTE



Consult NORD when considering either bath lubrication or pressure lubrication so that appropriate options and accessories can be recommended.

## Pressure Switch

All gearboxes with a pressure lubrication are equipped as standard with a pressure switch for monitoring the pump function. The connection of the pressure switch and the evaluation of the signal are carried out by operator. The pressure switch signal has to be handled after the oil pump building up pressure. During start-up, a brief period of low pressure is allowed while the pump is building pressure.

The pressure switch is an electrical switch for monitoring of the lubrication pressure at gear units with pressure lubrication. If the preset pressure is undercut, the applied electric signal will be interrupted by the pressure switch which can be handled by customers monitoring system.

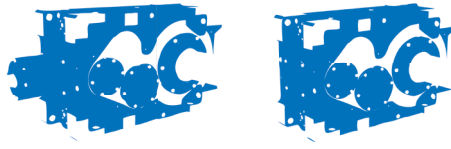


### WARNING



To eliminate the possibility of gearbox damage due to insufficient lubrication pressure please read and adhere to the following recommendations:

- The pressure switch must be connected and fully functional prior to start-up
- The pressure switch may only be provided with an appropriate monitoring system



## External Cooling Units

In order to increase the thermal power capacity of the MAXXDRIVE™ gear unit, NORD has standard oil cooling/lubricating systems designed. These designs are readily available and offer a good price/performance ratio. The basic elements consist of a circulating oil pump and heat exchanger mounted on a mounting platform or base. An optional oil filter with visual contamination indicator is also recommended in most all cases.

If other forms of reducer cooling (convection, shaft fan, water cooler, etc.) are not sufficient or not desired a standard oil cooler option can be supplied. Nord offers oil/water (CS1) and oil/air (CS2) oil coolers with a variety of optional accessories.

### Optional accessories:

- Thermometer.
- Pressure switch.
- Manometer.
- Optical status monitoring.
- Electrical status monitoring.
- Oil Filter.
- Filter with bypass.
- Particle counter.

### Standard operating parameters:

- Water temperature (if applicable): 20°C (68°F)
- Maximum oil temperature: 105°C (225°F).
- Ambient temperature: 20°C (68°F) or 40°C (104°F).

Please consult NORD if there are additional cooling system requirements or requests.

## Determining the Required Oil Cooler Size

There are two methods of determining the required oil cooler size, depending upon whether the oil cooler must provide all the cooling capacity for the gear unit or whether the oil cooler provides supplemental cooling.

### Method 1 – Oil Cooler Provides All the Cooling Capacity

#### 1. Determine the required oil cooling power as follows:

$$P_{CS} = P_1 \cdot (1 - \eta_N)$$

$P_{CS}$  = The required cooling power of the oil cooling system

$P_1$  = Installed motor power or required input power to the gear unit

$\eta_N$  = Nominal gear reducer efficiency (in decimal form)

#### 2. Select an oil cooler by applying the following criteria:

$$Q_{CS} \geq P_{CS}$$

$Q_{CS}$  = The cooling power capacity of the selected oil cooling system

### Method 2 – Oil Cooler Provides Additional/Supplemental Cooling Capacity

#### 1. Determine the required oil cooling power as follows:

$$P_{CS} = P_1 \cdot (1 - \eta_N) - P_{wg}$$

$P_{CS}$  = The required cooling power of the oil cooling system

$P_1$  = Installed motor power or required input power to the gear unit

$P_{wg}$  = Calculated thermal power capacity with an additional cooling method (⇒ 27)

$\eta_N$  = Nominal gear reducer efficiency (in decimal form)

#### 2. Select an oil cooler by applying the following criteria:

$$Q_{CS} \geq P_{CS}$$

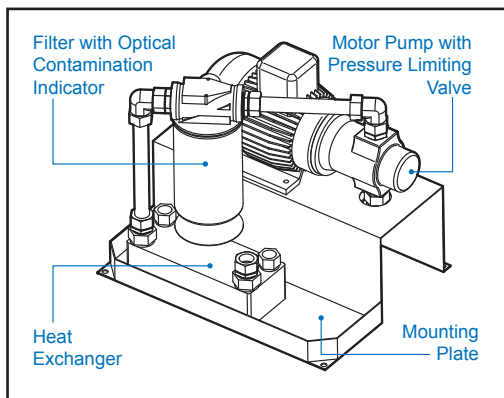
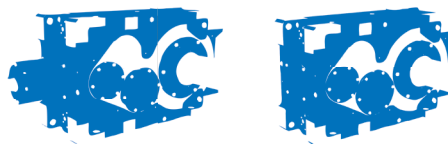
$Q_{CS}$  = The cooling power capacity of the selected oil cooling system



### IMPORTANT NOTE



The oil cooler thermal power limits shown in the respective tables are based upon standard installation and operating conditions (⇒ 17) for the case when the oil cooler must provide all the cooling capacity for the gear unit.



## External oil / water cooler (CS1)

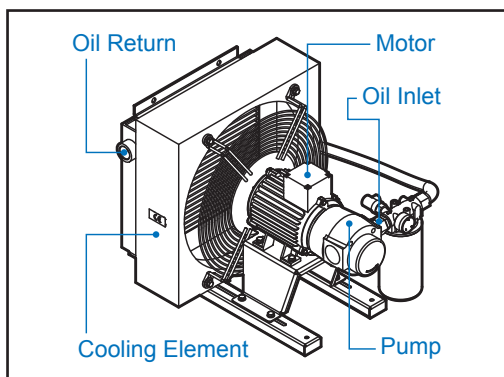
The oil/water cooling system is available with all gear units and is delivered separately and mounted by the customer. NORD DRIVESYSTEMS supplies a pair of 2m flexible hoses for connection to the gearbox and the cooling system. Upon request, NORD DRIVESYSTEMS is able to mount the cooling system onto any mounting surface for the customer and the oil filter would need to be rotated into a suitable position upon delivery.

**IMPORTANT NOTE**

Additional measuring devices for the cooling system are available upon request.

### CS1 Cooler Specifications

CS1 Oil Cooler Size	Cooling Power $Q_{cs}$		Water Flow Rate $V_w$		Oil Flow Rate $V_{oi}$		Water Inlet Temp. $t_{w,ei}$		Pump Motor Power	
	[kW]	[hp]	[l/min]	[gpm]	[l/min]	[gpm]	[°C]	[°F]	[kW]	[hp]
A	3.0	4.02	5	1.32	11	2.91	20	68	0.55	0.74
B	7.0	9.39	10	2.64	22	5.81	20	68	1.5	2.01
C	10.5	14.08	10	2.64	22	5.81	20	68	1.5	2.01
D	13.0	17.43	10	5.28	44	11.62	20	68	1.5	2.01
E	16.5	22.13	20	5.28	44	11.62	20	68	1.5	2.01
F	23.0	30.84	20	5.28	44	11.62	20	68	1.5	2.01
G	31.5	42.24	40	10.57	87	22.98	20	68	3.0	4.02
H	50.0	67.05	40	10.57	87	22.98	20	68	3.0	4.02



## External oil / air cooler (CS2)

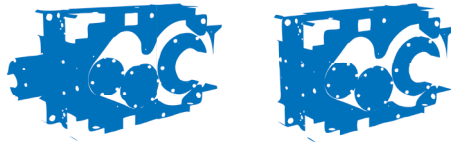
If cooling water is not available and other forms of cooling (convection, fan, etc.) are not sufficient or desired, an oil/air cooler can be supplied. The oil/air cooling system is available for all gear units and is delivered by NORD DRIVESYSTEMS separately and mounted by the customer. NORD DRIVESYSTEMS supplies a pair of 2m flexible hoses for connection to the gearbox and the cooling system. Upon request, NORD DRIVESYSTEMS is able to mount the cooling system onto any mounting surface in a horizontal mounting orientation before delivery.

### CS2 Cooler Specifications 50Hz

CS2 Oil Cooler Size	Cooling Power $Q_{cs}$		Oil Flow Rate $V_{oi}$		Air Inlet Temp. $t_{w,ei}$		Pump Motor Power	
	[kW]	[hp]	[l/min]	[gpm]	[°C]	[°F]	[kW]	[hp]
A	4.0	5.36	11	2.91	20	68	1.1	1.48
B	6.7	8.98	12	2.91	20	68	1.5	1.48
C	11.2	15.02	22	5.81	20	68	1.5	2.01
D	14.4	19.31	44	11.62	20	68	3.0	4.02
E	17.8	23.87	44	11.62	20	68	3.0	4.02
F	22.2	29.77	44	11.62	20	68	3.0	4.02
G	40.8	54.71	87	22.98	20	68	4.0	5.36
H	50.6	67.86	70	18.49	20	68	4.0	5.36

### CS2 Cooler Specifications 60Hz

CS2 Oil Cooler Size	Cooling Power $Q_{cs}$		Oil Flow Rate $V_{oi}$		Air Inlet Temp. $t_{w,ei}$		Pump Motor Power	
	[kW]	[hp]	[l/min]	[gpm]	[°C]	[°F]	[kW]	[hp]
A	4.6	6.17	13	3.43	20	68	1.32	1.77
B	7.7	10.33	26	6.87	20	68	1.80	2.41
C	13.0	17.43	26	6.87	20	68	1.80	2.41
D	16.6	22.26	53	14.00	20	68	3.60	4.38
E	20.5	27.49	53	14.00	20	68	3.60	4.38
F	25.8	34.60	53	14.00	20	68	3.60	4.38
G	46.8	62.76	104	27.47	20	68	4.80	6.44
H	59.3	79.52	84	22.19	20	68	4.80	6.44



## Gearbox Cooling Using a Fan (FAN)

Through the use of fans, the thermal power capacity of the gearbox may be increased substantially. Usually, a fan can be retrofitted to the gear unit. However this must be checked for each individual case (installation space, type of gearbox, mounting position, etc.). The fan cover provides protection against contact and guides the flow of cooling air over the gearbox housing.

### Installation conditions for fans

An adequate supply of air to the fan must be ensured, the vent grill in the fan cover must be kept clear.

### High-power radial fan (FAN)

The high power radial fan is suitable for both directions of rotation. It is the standard solution for helical gearboxes but can also be used for bevel-helical gearboxes. It requires the free axial entry of air and is connected directly to the input shaft.

### High-power axial fan (FAN)

The high-power axial fan is also directly connected to the input shaft of bevel-helical gearboxes. It provides a high cooling power, but only works in one direction of rotation.

The intake of air may be supplied in a radial direction which allows a brake or a fluid-coupling to be installed directly in front of the fan (see motor swing bases). Further information is available upon request. The direction of the rotation must be specified when ordering the unit.

### High-power axial fan on swing bases (FAN)

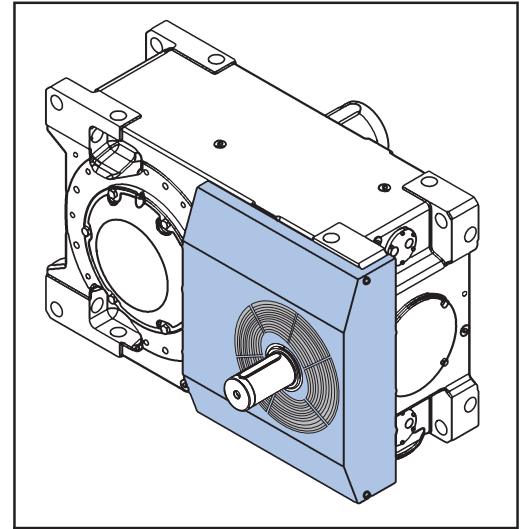
On swing bases a larger high-power axial fan is used as standard. This high-power axial fan is also directly connected to the input shaft of bevel-helical gearboxes. It provides a very high cooling power, but only works in one direction of rotation.

The intake of air may be supplied in a radial direction which allows a brake or a fluid-coupling to be installed directly in front of the fan (see motor swing bases). Further information is available upon request. The direction of the rotation must be specified when ordering the unit.

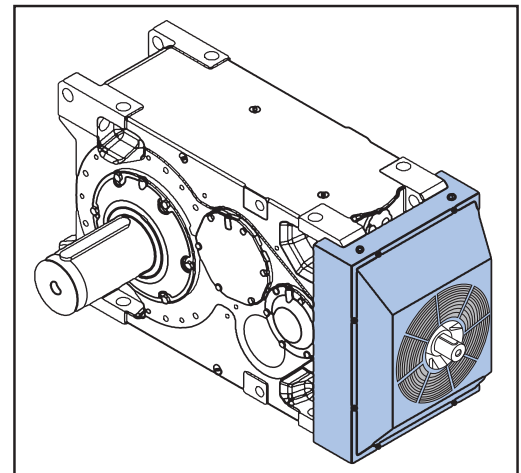
### Electric fan (FAN)

NORD DRIVESYSTEMS supplies an option electric fan as well. This fan is switched on as required with the use of a temperature switch.

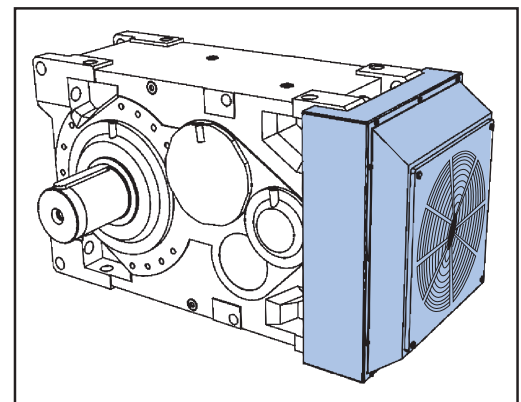
The Electric fan is only available on our parallel Maxxdrive™ gear units. The fan may be attached to both ends of the parallel gear unit. Additional information is available upon request.



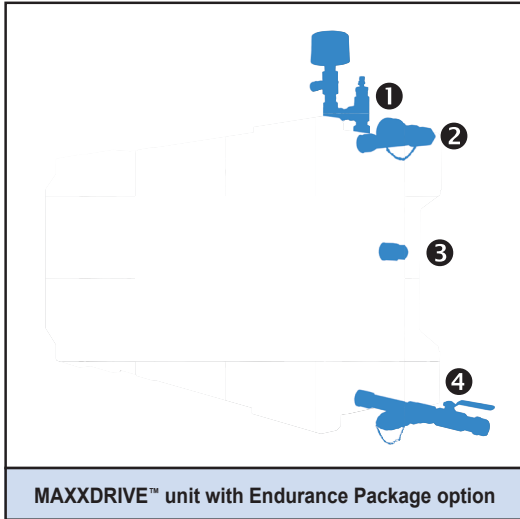
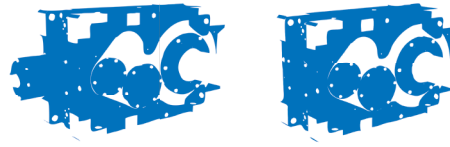
Helical Gear Unit with Standard Shaft Powered Fan



Bevel Gear Unit with Standard Shaft Powered Fan



Helical Gear Unit with Electric Fan



## Endurance Package

NORD DRIVESYSTEMS "Endurance package" is a combination of protective features to ensure that your investment performs well for extended periods of time. Here at NORD DRIVESYSTEMS, we are consistently innovating ideas to make our products perform better in even the toughest environments.

### The Endurance Package Features:

- Donaldson T.R.A.P.™ Breather (shipped loose) ①
- Filter Cart Quick Disconnects ②
- Esco 3D Bullseye™ Sight Glass ③
- Oil Sample Port ④



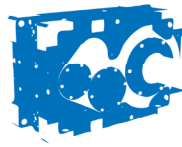


DRIVESYSTEMS

# Parallel Ratings

---

<b>Ratings Tables Overview</b> .....	<b>88</b>
<b>Nominal Power Ratings</b> .....	<b>90</b>
<b>Nominal Output Torques</b> .....	<b>94</b>
<b>Moment of Inertia Values</b> .....	<b>95</b>
<b>Exact Ratios</b> .....	<b>96</b>
<b>Thermal Ratings - M1/M3 Mounting - 1000 rpm @ 20° C</b> .....	<b>98</b>
<b>Thermal Ratings - M1/M3 Mounting - 1000 rpm @ 40° C</b> .....	<b>100</b>
<b>Thermal Ratings - M1/M3 Mounting - 1200 rpm @ 20° C</b> .....	<b>102</b>
<b>Thermal Ratings - M1/M3 Mounting - 1200 rpm @ 40° C</b> .....	<b>104</b>
<b>Thermal Ratings - M1/M3 Mounting - 1500 rpm @ 20° C</b> .....	<b>106</b>
<b>Thermal Ratings - M1/M3 Mounting - 1500 rpm @ 40° C</b> .....	<b>108</b>
<b>Thermal Ratings - M1/M3 Mounting - 1800 rpm @ 20° C</b> .....	<b>110</b>
<b>Thermal Ratings - M1/M3 Mounting - 1800 rpm @ 40° C</b> .....	<b>112</b>
<b>Thermal Ratings - M5 Mounting - 1000 rpm @ 20° C</b> .....	<b>114</b>
<b>Thermal Ratings - M5 Mounting - 1000 rpm @ 40° C</b> .....	<b>116</b>
<b>Thermal Ratings - M5 Mounting - 1200 rpm @ 20° C</b> .....	<b>118</b>
<b>Thermal Ratings - M5 Mounting - 1200 rpm @ 40° C</b> .....	<b>120</b>
<b>Thermal Ratings - M5 Mounting - 1500 rpm @ 20° C</b> .....	<b>122</b>
<b>Thermal Ratings - M5 Mounting - 1500 rpm @ 40° C</b> .....	<b>124</b>
<b>Thermal Ratings - M5 Mounting - 1800 rpm @ 20° C</b> .....	<b>126</b>
<b>Thermal Ratings - M5 Mounting - 1800 rpm @ 40° C</b> .....	<b>128</b>



## Structure of the Power Ratings Tables

**Nominal Input Speed**  
The actual motor speeds depend on the size of the motor, and may differ

**Nominal Output Speed**  
The Nominal Input Speed divided by the Nominal Ratio

**Size of Gear Unit**

Nom. Ratio	Nominal Input Speed	Nominal Output Speed	SK 5207/ SK 5307	SK 6207/ SK 6307	SK 7207/ SK 7307	SK 8207/ SK 8307	SK 9207/ SK 9307	SK 10207/ SK 10307	SK 11207/ SK 11307	SK 12207/ SK 12307	SK 13207/ SK 13307	SK 14207/ SK 14307	SK 15207/ SK 15307
$i_N$	$n_{1N}$ [rpm]	$n_{2N}$ [rpm]	Rated Power										
			$P_N$ [HP]	$P_N$ [HP]	$P_N$ [HP]	$P_N$ [HP]	$P_N$ [HP]	$P_N$ [HP]	$P_N$ [HP]	$P_N$ [HP]	$P_N$ [HP]	$P_N$ [HP]	$P_N$ [HP]
8	1000	125	268	299	379	379	635	637	1,222	1,646	2,219	2,963	4,075
	1500	188	402	448	569	568	953	956	1,833	2,469	3,328	4,444	6,113
	1200	150	321	359	455	455	762	765	1,467	1,975	2,662	3,555	4,891
	1800	225	482	538	683	682	1,144	1,147	2,200	2,963	3,993	5,333	7,336

**Nominal Ratio**  
Sized according to Standard Series

**Nominal Output Power**  
with Service Factor ( $f_b$ ) = 1,0

## Structure of the Torque Rating Tables

**Size of Gear Unit**

Nom. Ratio	SK 5207/ SK 5307	SK 6207/ SK 6307	SK 7207/ SK 7307	SK 8207/ SK 8307	SK 9207/ SK 9307	SK 10207/ SK 10307	SK 11207/ SK 11307	SK 12207/ SK 12307	SK 13207/ SK 13307	SK 14207/ SK 14307	SK 15207/ SK 15307
$i_N$	Output Torque										
	$M_{2max}$ [lb-in × 1000]	$M_{2max}$ [lb-in × 1000]	$M_{2max}$ [lb-in × 1000]	$M_{2max}$ [lb-in × 1000]	$M_{2max}$ [lb-in × 1000]	$M_{2max}$ [lb-in × 1000]	$M_{2max}$ [lb-in × 1000]	$M_{2max}$ [lb-in × 1000]	$M_{2max}$ [lb-in × 1000]	$M_{2max}$ [lb-in × 1000]	$M_{2max}$ [lb-in × 1000]
22.4	133	177	215	257	354	410	651	963	1,336	1,682	2,390
25	133	177	215	254	357	416	673	967	1,338	1,682	2,421

**Nominal Ratio**  
Sized according to Standard Series

**SK ..207 Units**  
Units shaded this color are Two Stage Units

**Nominal Output Torque**  
with Service Factor ( $f_b$ ) = 1,0

**SK ..307 Units**  
Units shaded this color are Three Stage Units

## Structure of the Inertia Tables

**Size of Gear Unit**

Nom. Ratio	SK 5207/ SK 5307	SK 6207/ SK 6307	SK 7207/ SK 7307	SK 8207/ SK 8307	SK 9207/ SK 9307	SK 10207/ SK 10307	SK 11207/ SK 11307	SK 12207/ SK 12307	SK 13207/ SK 13307	SK 14207/ SK 14307	SK 15207/ SK 15307
$i_N$	Moments of Inertia										
	$J_1$ [lb-ft <sup>2</sup> ]	$J_1$ [lb-ft <sup>2</sup> ]	$J_1$ [lb-ft <sup>2</sup> ]	$J_1$ [lb-ft <sup>2</sup> ]	$J_1$ [lb-ft <sup>2</sup> ]	$J_1$ [lb-ft <sup>2</sup> ]	$J_1$ [lb-ft <sup>2</sup> ]	$J_1$ [lb-ft <sup>2</sup> ]	$J_1$ [lb-ft <sup>2</sup> ]	$J_1$ [lb-ft <sup>2</sup> ]	$J_1$ [lb-ft <sup>2</sup> ]
22.4	0.332	0.496	0.622	0.949	1.571	2.311	6.312	10.465	16.967	20.005	46.037
25	0.325	0.354	0.612	0.672	1.538	1.668	5.292	8.662	14.238	19.459	38.443

**Nominal Ratio**  
Sized according to Standard Series

**SK ..207 Units**  
Units shaded this color are Two Stage Units

**Moment of Inertia**  
Relative to the Input Shaft

**SK ..307 Units**  
Units shaded this color are Three Stage Units



## Structure of the Exact Ratio Tables

Size of Gear Unit

Nom. Ratio	SK 5207/ SK 5307	SK 6207/ SK 6307	SK 7207/ SK 7307	SK 8207/ SK 8307	SK 9207/ SK 9307	SK 10207/ SK 10307	SK 11207/ SK 11307	SK 12207/ SK 12307	SK 13207/ SK 13307	SK 14207/ SK 14307	SK 15207/ SK 15307
$i_N$	<b>Exact Ratio</b>										
	$i_{ges}$	$i_{ges}$	$i_{ges}$	$i_{ges}$	$i_{ges}$	$i_{ges}$	$i_{ges}$	$i_{ges}$	$i_{ges}$	$i_{ges}$	$i_{ges}$
22.4	22.78	21.65	23.05	21.72	23.31	22.38	22.32	22.13	21.90	22.66	21.84
25	24.89	25.28	25.34	26.26	25.63	26.26	26.09	25.87	25.92	24.44	25.54

Nominal Ratio  
Sized according to Standard Series

SK ..207 Units  
Units shaded this color are Two Stage Units

Exact Ratio

SK ..307 Units  
Units shaded this color are Three Stage Units

## Structure of the Thermal Rating Tables

1) 2) (see explanation below)

Size of Gear Unit

Nom. Ratio	Kühlart	SK 5207/ SK 5307	SK 6207/ SK 6307	SK 7207/ SK 7307	SK 8207/ SK 8307	SK 9207/ SK 9307	SK 10207/ SK 10307	SK 11207/ SK 11307	SK 12207/ SK 12307	SK 13207/ SK 13307	SK 14207/ SK 14307	SK 15207/ SK 15307	
$i_N$		<b>Thermal Power</b>											
		$P_N$ [HP]	$P_N$ [HP]	$P_N$ [HP]	$P_N$ [HP]	$P_N$ [HP]	$P_N$ [HP]	$P_N$ [HP]	$P_N$ [HP]	$P_N$ [HP]	$P_N$ [HP]	$P_N$ [HP]	
8	---	$P_{t,0.20}$	142	179	200	216	268	344	317	321	401	394	313
	FAN	$P_{f,20}$	69	78	87	82	121	130	140	185	224	294	344
	CC	$P_{c,20}$	150	164	171	156	182	192	462	671	920	1,054	1,112

Nominal Ratio  
Sized according to Standard Series

Cooling Type  
 --- : No Additional Cooling  
 FAN : Built in Fan Cooling  
 CC : Integrated Water Cooling

Thermal Power Limit <sup>1) 2)</sup>  
Without any additional thermal cooling at Ambient Temp.

Additional Thermal Power Limit <sup>1) 2)</sup>  
With Built in Fan at Ambient Temperature with nominal speed

Additional Thermal Power Limit  
With Integrated Water Cooling at Ambient Temperature

### 1) Standard ambient conditions

Ambient temperature:	68°F (20°C) or 104°F (40°C)
Air circulation at installation location:	Large hall with good air circulation ( $v_L = 4.92$ ft/s or 1.5 m/s)
Installation:	Foundation steel sub-construction
Installation altitude:	≤ 1000 m (3280 ft) above sea level
Installation position:	Horizontal installation (M1 for 2-stage or M3 for 3 stage)
Type of lubrication:	Immersion lubrication, Oil splash lubrication with synthetic oil PAO ISO VG 220
Cooling water inlet temperature:	68°F (20°C) or 104 °F (40°C)

<sup>2)</sup> For Ratings at different temperatures please contact NORD DRIVESYSTEMS.

# Nominal Power Ratings



Nom. Ratio	Nominal Input Speed $n_{1N}$ [rpm]	Nominal Output Speed $n_{2N}$ [rpm]	SK 5207/ SK 5307	SK 6207/ SK 6307	SK 7207/ SK 7307	SK 8207/ SK 8307	SK 9207/ SK 9307	SK 10207/ SK 10307	SK 11207/ SK 11307	SK 12207/ SK 12307	SK 13207/ SK 13307	SK 14207/ SK 14307	SK 15207/ SK 15307
			Rated Power										
$i_N$			$P_N$ [HP]	$P_N$ [HP]	$P_N$ [HP]	$P_N$ [HP]	$P_N$ [HP]	$P_N$ [HP]	$P_N$ [HP]	$P_N$ [HP]	$P_N$ [HP]	$P_N$ [HP]	$P_N$ [HP]
5.6	1000	179	---	---	---	---	---	---	1,453	1,966	2,582	---	4,486
	1500	268	---	---	---	---	---	---	2,180	2,949	3,874	---	6,729
	1200	214	---	---	---	---	---	---	1,744	2,359	3,099	---	5,383
	1800	321	---	---	---	---	---	---	2,616	3,539	4,648	---	8,075
6.3	1000	159	---	---	---	---	---	---	1,454	1,939	2,554	---	4,484
	1500	238	---	---	---	---	---	---	2,182	2,909	3,832	---	6,726
	1200	190	---	---	---	---	---	---	1,745	2,327	3,065	---	5,381
	1800	286	---	---	---	---	---	---	2,618	3,490	4,598	---	8,072
7.1	1000	141	293	---	378	---	640	---	1,318	1,718	2,305	3,118	4,073
	1500	211	439	---	567	---	960	---	1,978	2,577	3,457	4,678	6,109
	1200	169	351	---	453	---	768	---	1,582	2,062	2,766	3,742	4,887
	1800	254	527	---	680	---	1,152	---	2,373	3,093	4,149	5,613	7,331
8	1000	125	268	299	379	379	635	637	1,222	1,646	2,219	2,963	4,075
	1500	188	402	448	569	568	953	956	1,833	2,469	3,328	4,444	6,113
	1200	150	321	359	455	455	762	765	1,467	1,975	2,662	3,555	4,891
	1800	225	482	538	683	682	1,144	1,147	2,200	2,963	3,993	5,333	7,336
9	1000	111	228	287	351	381	571	637	1,070	1,489	1,970	2,618	3,682
	1500	167	341	431	527	571	857	955	1,605	2,234	2,956	3,927	5,524
	1200	133	273	345	422	457	685	764	1,284	1,787	2,364	3,142	4,419
	1800	200	410	517	632	686	1,028	1,146	1,926	2,681	3,547	4,713	6,628
10	1000	100	208	256	324	356	525	592	985	1,415	1,876	2,484	3,448
	1500	150	312	384	486	534	788	888	1,477	2,122	2,814	3,726	5,171
	1200	120	250	307	389	427	630	710	1,181	1,698	2,251	2,981	4,137
	1800	180	375	460	583	641	945	1,065	1,772	2,546	3,376	4,472	6,206
11.2	1000	89	182	238	292	348	466	563	844	1,235	1,692	2,164	2,949
	1500	134	273	357	438	522	699	845	1,266	1,852	2,538	3,247	4,423
	1200	107	218	286	350	418	559	676	1,013	1,482	2,031	2,597	3,539
	1800	161	328	429	525	627	839	1,014	1,519	2,222	3,046	3,896	5,308
12.5	1000	80	167	214	267	301	428	496	779	1,154	1,619	2,052	2,755
	1500	120	250	321	400	451	643	744	1,168	1,731	2,429	3,077	4,133
	1200	96	200	257	320	361	514	595	935	1,385	1,943	2,462	3,306
	1800	144	300	386	480	542	771	892	1,402	2,077	2,915	3,693	4,959
14	1000	71	150	198	237	288	377	458	690	1,035	1,440	1,844	2,419
	1500	107	225	298	356	433	566	687	1,034	1,552	2,160	2,766	3,628
	1200	86	180	238	285	346	453	549	828	1,242	1,728	2,213	2,903
	1800	129	270	357	427	519	679	824	1,241	1,862	2,592	3,319	4,354
16	1000	63	137	180	216	247	347	398	634	957	1,347	1,746	2,262
	1500	94	206	270	324	371	520	597	952	1,436	2,021	2,619	3,393
	1200	75	165	216	259	297	416	478	761	1,149	1,617	2,095	2,714
	1800	113	247	324	389	445	624	717	1,142	1,723	2,425	3,143	4,071



Nom. Ratio	Nominal Input Speed $n_{1N}$ [rpm]	Nominal Output Speed $n_{2N}$ [rpm]	SK 5207/ SK 5307	SK 6207/ SK 6307	SK 7207/ SK 7307	SK 8207/ SK 8307	SK 9207/ SK 9307	SK 10207/ SK 10307	SK 11207/ SK 11307	SK 12207/ SK 12307	SK 13207/ SK 13307	SK 14207/ SK 14307	SK 15207/ SK 15307
			Rated Power										
$i_N$			$P_N$ [HP]	$P_N$ [HP]	$P_N$ [HP]	$P_N$ [HP]	$P_N$ [HP]	$P_N$ [HP]	$P_N$ [HP]	$P_N$ [HP]	$P_N$ [HP]	$P_N$ [HP]	$P_N$ [HP]
18	1000	56	119	164	191	237	305	365	545	827	1,142	1,520	1,938
	1500	83	178	245	286	355	457	548	817	1,240	1,713	2,281	2,907
	1200	67	143	196	229	284	366	438	654	992	1,370	1,824	2,326
	1800	100	214	294	343	426	549	657	981	1,488	2,056	2,737	3,489
20	1000	50	109	143	173	196	280	317	503	761	1,054	1,409	1,812
	1500	75	163	214	259	294	419	476	755	1,141	1,581	2,114	2,719
	1200	60	131	172	207	235	335	381	604	913	1,265	1,691	2,175
	1800	90	196	257	311	352	503	571	906	1,369	1,897	2,536	3,262
22.4	1000	45	92	130	148	188	241	290	462	690	968	1,178	1,736
	1500	67	139	195	222	281	361	436	694	1,036	1,452	1,766	2,604
	1200	54	111	156	178	225	289	349	555	828	1,162	1,413	2,084
	1800	80	166	234	266	338	434	523	832	1,243	1,743	2,120	3,125
25	1000	40	85	111	135	153	221	251	409	593	819	1,091	1,504
	1500	60	127	167	202	230	331	377	614	889	1,229	1,637	2,255
	1200	48	102	133	162	184	265	302	491	711	983	1,310	1,804
	1800	72	152	200	242	276	398	452	736	1,067	1,474	1,965	2,707
28	1000	36	74	101	122	148	200	230	374	545	751	999	1,391
	1500	54	110	151	184	223	301	346	561	818	1,127	1,499	2,087
	1200	43	88	121	147	178	241	277	449	654	902	1,199	1,669
	1800	64	132	182	220	267	361	415	673	982	1,352	1,799	2,504
31.5	1000	32	50	66	83	94	136	156	250	362	497	623	919
	1500	48	75	99	125	141	205	234	375	543	746	934	1,379
	1200	38	60	79	100	113	164	187	300	434	597	747	1,103
	1800	38	90	119	150	169	246	281	450	651	895	1,121	1,655
35.5	1000	28	58	80	95	121	155	191	307	447	612	774	1,132
	1500	42	87	120	142	181	233	286	460	670	917	1,161	1,698
	1200	34	70	96	113	145	186	229	368	536	734	929	1,359
	1800	51	105	144	170	217	280	343	552	804	1,101	1,393	2,038
40	1000	25	53	70	86	99	142	161	263	383	517	678	970
	1500	38	80	105	129	148	213	241	394	575	776	1,017	1,455
	1200	30	64	84	103	118	170	193	315	460	620	814	1,164
	1800	45	96	126	155	178	255	289	473	690	931	1,221	1,745
45	1000	22	46	63	72	93	129	147	240	353	474	629	891
	1500	33	70	95	109	139	194	221	361	529	710	943	1,336
	1200	27	56	76	87	111	155	177	288	423	568	754	1,069
	1800	40	83	114	130	167	233	265	433	635	853	1,132	1,603
50	1000	20	42	56	70	76	118	134	214	313	424	525	782
	1500	30	64	84	105	114	177	201	321	470	636	788	1,173
	1200	24	51	67	84	91	142	161	257	376	509	630	938
	1800	36	76	100	126	137	213	241	385	564	763	946	1,407

Power

# Nominal Power Ratings



Nom. Ratio	Nominal Input Speed $n_{1N}$ [rpm]	Nominal Output Speed $n_{2N}$ [rpm]	SK 5207/ SK 5307	SK 6207/ SK 6307	SK 7207/ SK 7307	SK 8207/ SK 8307	SK 9207/ SK 9307	SK 10207/ SK 10307	SK 11207/ SK 11307	SK 12207/ SK 12307	SK 13207/ SK 13307	SK 14207/ SK 14307	SK 15207/ SK 15307
			Rated Power										
$i_N$			$P_N$ [HP]	$P_N$ [HP]	$P_N$ [HP]	$P_N$ [HP]	$P_N$ [HP]	$P_N$ [HP]	$P_N$ [HP]	$P_N$ [HP]	$P_N$ [HP]	$P_N$ [HP]	$P_N$ [HP]
56	1000	18	38	51	62	75	105	124	196	288	388	487	718
	1500	27	56	76	93	113	157	185	294	432	582	730	1,077
	1200	21	45	61	74	91	126	148	235	346	466	584	862
	1800	32	68	91	112	136	189	222	352	519	698	877	1,292
63	1000	16	34	45	56	65	96	110	168	248	327	431	615
	1500	24	52	68	85	97	144	165	252	371	490	647	922
	1200	19	41	54	68	77	115	132	201	297	392	518	738
	1800	29	62	81	102	116	172	198	302	446	588	777	1,107
71	1000	14	30	41	48	61	81	101	153	228	299	400	565
	1500	21	44	61	72	91	122	151	230	342	448	600	847
	1200	17	36	49	57	73	97	121	184	273	358	480	678
	1800	25	53	74	86	109	146	181	276	410	538	720	1,017
80	1000	13	27	36	44	50	74	85	133	182	253	334	492
	1500	19	41	53	65	75	111	127	199	272	380	501	738
	1200	15	33	43	52	60	89	102	159	218	304	401	590
	1800	23	49	64	78	89	134	153	239	327	456	602	885
90	1000	11	24	32	36	47	68	78	121	171	240	310	452
	1500	17	35	48	55	70	102	117	182	257	361	465	677
	1200	13	28	39	44	56	81	93	145	206	288	372	542
	1800	20	43	58	66	84	122	140	218	308	433	558	813
100	1000	10	22	28	35	39	62	71	104	149	203	269	387
	1500	15	32	43	53	58	93	106	156	224	305	404	580
	1200	12	26	34	42	46	74	85	125	179	244	323	464
	1800	18	39	51	64	70	111	127	187	269	366	485	696
112	1000	9	18	26	30	38	53	65	95	139	186	250	355
	1500	13	28	39	45	57	80	97	142	209	279	375	533
	1200	11	22	31	36	46	64	77	114	167	223	300	426
	1800	16	33	46	54	68	96	116	171	251	335	450	639
125	1000	8	17	22	28	31	49	55	---	---	---	209	---
	1500	12	25	33	41	47	73	83	---	---	---	313	---
	1200	10	20	27	33	38	58	67	---	---	---	250	---
	1800	14	30	40	50	56	87	100	---	---	---	376	---
140	1000	7	15	20	25	30	44	50	---	---	---	193	---
	1500	11	22	30	37	44	67	76	---	---	---	290	---
	1200	9	18	24	30	35	53	60	---	---	---	232	---
	1800	13	27	36	44	53	80	91	---	---	---	348	---
160	1000	6	14	18	22	25	38	46	---	---	---	---	---
	1500	9	20	27	34	38	57	69	---	---	---	---	---
	1200	8	16	21	27	31	46	55	---	---	---	---	---
	1800	11	24	32	40	46	69	83	---	---	---	---	---



Nom. Ratio	Nominal Input Speed	Nominal Output Speed	SK 5207/ SK 5307	SK 6207/ SK 6307	SK 7207/ SK 7307	SK 8207/ SK 8307	SK 9207/ SK 9307	SK 10207/ SK 10307	SK 11207/ SK 11307	SK 12207/ SK 12307	SK 13207/ SK 13307	SK 14207/ SK 14307	SK 15207/ SK 15307
			Rated Power										
$i_N$	$n_{1N}$	$n_{2N}$	$P_N$	$P_N$	$P_N$	$P_N$	$P_N$	$P_N$	$P_N$	$P_N$	$P_N$	$P_N$	$P_N$
	[rpm]	[rpm]	[HP]	[HP]	[HP]	[HP]	[HP]	[HP]	[HP]	[HP]	[HP]	[HP]	[HP]
180	1000	6	12	16	17	24	35	40	---	---	---	---	---
	1500	8	18	24	26	36	52	59	---	---	---	---	---
	1200	7	14	19	21	29	42	47	---	---	---	---	---
	1800	10	21	29	31	43	63	71	---	---	---	---	---
200	1000	5	11	14	17	17	18	36	---	---	---	---	---
	1500	8	16	21	25	26	27	54	---	---	---	---	---
	1200	6	13	17	20	21	21	43	---	---	---	---	---
	1800	9	19	25	30	31	32	65	---	---	---	---	---
224	1000	4	9	13	15	17	17	16	---	---	---	---	---
	1500	7	14	19	23	25	26	24	---	---	---	---	---
	1200	5	11	15	18	20	21	19	---	---	---	---	---
	1800	8	17	23	27	31	31	28	---	---	---	---	---
250	1000	4	8	11	14	16	17	15	---	---	---	---	---
	1500	6	13	17	21	23	26	23	---	---	---	---	---
	1200	5	10	13	16	19	21	19	---	---	---	---	---
	1800	7	15	20	25	28	31	28	---	---	---	---	---
280	1000	4	7	10	12	15	17	15	---	---	---	---	---
	1500	5	11	15	18	22	25	23	---	---	---	---	---
	1200	4	9	12	15	18	20	19	---	---	---	---	---
	1800	6	13	18	22	26	30	28	---	---	---	---	---
315	1000	3	7	9	11	13	17	15	---	---	---	---	---
	1500	5	10	13	17	19	25	23	---	---	---	---	---
	1200	4	8	11	13	15	20	19	---	---	---	---	---
	1800	6	12	16	20	23	30	28	---	---	---	---	---
355	1000	3	---	8	---	12	16	15	---	---	---	---	---
	1500	4	---	12	---	18	25	23	---	---	---	---	---
	1200	3	---	10	---	14	20	18	---	---	---	---	---
	1800	5	---	14	---	21	29	27	---	---	---	---	---
400	1000	3	---	---	---	---	---	15	---	---	---	---	---
	1500	4	---	---	---	---	---	22	---	---	---	---	---
	1200	3	---	---	---	---	---	18	---	---	---	---	---
	1800	5	---	---	---	---	---	27	---	---	---	---	---

Power

# Nominal Output Torques



Nom. Ratio	SK 5207/ SK 5307	SK 6207/ SK 6307	SK 7207/ SK 7307	SK 8207/ SK 8307	SK 9207/ SK 9307	SK 10207/ SK 10307	SK 11207/ SK 11307	SK 12207/ SK 12307	SK 13207/ SK 13307	SK 14207/ SK 14307	SK 15207/ SK 15307
	Output Torque										
	$i_n$	$M_{2max}$ [lb-in × 1000]	$M_{2max}$ [lb-in × 1000]	$M_{2max}$ [lb-in × 1000]	$M_{2max}$ [lb-in × 1000]	$M_{2max}$ [lb-in × 1000]	$M_{2max}$ [lb-in × 1000]	$M_{2max}$ [lb-in × 1000]	$M_{2max}$ [lb-in × 1000]	$M_{2max}$ [lb-in × 1000]	$M_{2max}$ [lb-in × 1000]
5.6	---	---	---	---	---	---	528	699	951	---	1,567
6.3	---	---	---	---	---	---	579	752	1,027	---	1,708
7.1	133	---	170	---	292	---	597	788	1,062	1,416	1,837
8	133	150	188	195	319	327	606	823	1,115	1,452	2,005
9	133	159	199	208	327	358	611	854	1,151	1,487	2,080
10	133	166	202	230	331	382	615	885	1,195	1,522	2,124
11.2	133	170	207	239	335	398	618	903	1,213	1,558	2,126
12.5	133	173	208	243	338	401	624	920	1,266	1,593	2,167
14	133	177	212	248	342	405	628	938	1,292	1,629	2,164
16	133	177	213	252	345	406	633	947	1,319	1,664	2,207
18	133	177	216	257	349	408	635	956	1,323	1,682	2,213
20	133	177	215	252	351	409	643	959	1,332	1,682	2,257
22.4	133	177	215	257	354	410	651	963	1,336	1,682	2,390
25	133	177	215	254	357	416	673	967	1,338	1,682	2,421
28	133	177	215	261	359	418	674	970	1,339	1,682	2,443
31.5	133	177	216	252	361	423	674	974	1,341	1,682	2,447
35.5	133	177	216	257	362	421	675	977	1,342	1,682	2,452
40	133	177	216	257	363	422	676	981	1,343	1,682	2,456
45	133	177	204	257	365	423	677	984	1,342	1,682	2,461
50	133	177	216	243	366	425	678	988	1,341	1,682	2,465
56	133	177	216	257	367	429	679	991	1,338	1,682	2,469
63	133	177	217	257	369	434	680	995	1,335	1,682	2,474
71	133	177	217	257	370	435	681	998	1,330	1,682	2,478
80	133	177	217	257	371	435	682	929	1,283	1,682	2,483
90	133	177	204	257	373	436	682	956	1,328	1,682	2,487
100	133	177	217	246	374	437	683	974	1,328	1,682	2,491
112	133	177	217	257	375	438	684	991	1,328	1,682	2,496
125	133	177	218	257	377	439	---	---	---	1,682	---
140	133	177	218	257	378	440	---	---	---	1,682	---
160	133	177	218	257	379	441	---	---	---	---	---
180	133	177	195	257	381	442	---	---	---	---	---
200	133	177	208	221	221	443	---	---	---	---	---
224	133	177	219	230	239	221	---	---	---	---	---
250	133	177	219	257	283	239	---	---	---	---	---
280	133	177	219	257	301	283	---	---	---	---	---
315	133	177	219	257	327	310	---	---	---	---	---
355	---	177	---	257	354	336	---	---	---	---	---
400	---	---	---	---	---	363	---	---	---	---	---



SK ..207 Units



SK ..307 Units





Nom. Ratio	SK 5207/ SK 5307	SK 6207/ SK 6307	SK 7207/ SK 7307	SK 8207/ SK 8307	SK 9207/ SK 9307	SK 10207/ SK 10307	SK 11207/ SK 11307	SK 12207/ SK 12307	SK 13207/ SK 13307	SK 14207/ SK 14307	SK 15207/ SK 15307
	Moments of Inertia										
$i_n$	$j_1$ [lb-ft <sup>2</sup> ]	$j_1$ [lb-ft <sup>2</sup> ]	$j_1$ [lb-ft <sup>2</sup> ]	$j_1$ [lb-ft <sup>2</sup> ]	$j_1$ [lb-ft <sup>2</sup> ]	$j_1$ [lb-ft <sup>2</sup> ]	$j_1$ [lb-ft <sup>2</sup> ]	$j_1$ [lb-ft <sup>2</sup> ]	$j_1$ [lb-ft <sup>2</sup> ]	$j_1$ [lb-ft <sup>2</sup> ]	$j_1$ [lb-ft <sup>2</sup> ]
5.6	---	---	---	---	---	---	26.578	45.562	70.716	---	202.657
6.3	---	---	---	---	---	---	25.629	43.901	68.343	---	196.250
7.1	1.682	---	3.109	---	7.973	---	19.435	31.561	51.020	89.701	140.009
8	1.611	1.903	3.014	3.631	7.641	8.994	18.747	30.612	49.359	84.243	135.975
9	1.187	1.827	2.254	3.417	5.838	8.495	14.191	23.279	36.782	64.547	102.278
10	1.141	1.319	2.202	2.587	5.624	6.502	13.764	22.686	35.833	60.987	99.668
11.2	0.864	1.274	1.623	2.444	4.248	6.170	10.252	16.920	28.002	46.037	73.327
12.5	0.835	0.949	1.590	1.839	4.105	4.651	9.990	16.540	27.290	44.138	71.903
14	0.667	0.921	1.168	1.749	2.966	4.438	8.306	13.503	22.449	34.884	55.766
16	0.648	0.724	1.146	1.303	2.871	3.227	8.116	13.265	22.022	33.460	54.817
18	0.472	0.705	0.902	1.246	2.228	3.109	6.241	9.445	16.659	27.290	39.630
20	0.460	0.510	0.888	0.985	2.176	2.397	6.146	9.302	16.398	26.578	39.155
22.4	0.332	0.496	0.622	0.949	1.571	2.311	6.312	10.465	16.967	20.005	46.037
25	0.325	0.354	0.612	0.672	1.538	1.668	5.292	8.662	14.238	19.459	38.443
28	0.389	0.346	0.743	0.650	1.545	1.621	5.244	8.590	14.096	18.083	38.206
31.5	0.384	0.403	0.738	0.778	1.523	1.611	3.346	5.648	8.851	15.994	24.680
35.5	0.320	0.399	0.605	0.764	1.220	1.578	3.299	5.600	8.757	15.733	24.442
40	0.318	0.330	0.603	0.626	1.208	1.260	2.895	4.865	7.689	9.682	21.500
45	0.280	0.327	0.524	0.617	1.063	1.241	2.871	4.817	7.641	9.516	21.357
50	0.278	0.285	0.522	0.536	1.054	1.089	1.841	3.037	4.794	8.685	12.150
56	0.167	0.282	0.282	0.532	0.579	1.077	1.827	3.014	4.770	8.567	12.079
63	0.166	0.170	0.282	0.292	0.574	0.596	1.659	2.729	4.319	5.173	10.892
71	0.149	0.169	0.247	0.287	0.494	0.589	1.652	2.705	4.295	5.102	10.845
80	0.148	0.151	0.247	0.254	0.491	0.505	1.042	1.694	2.824	4.770	6.289
90	0.138	0.150	0.227	0.252	0.453	0.501	1.037	1.687	2.800	4.722	6.265
100	0.138	0.140	0.226	0.230	0.451	0.460	0.973	1.573	2.634	3.037	5.790
112	0.086	0.139	0.137	0.229	0.287	0.456	0.971	1.569	2.634	3.014	5.766
125	0.085	0.086	0.137	0.139	0.268	0.290	---	---	---	2.871	---
140	0.081	0.086	0.129	0.138	0.266	0.271	---	---	---	2.871	---
160	0.081	0.082	0.129	0.130	0.195	0.268	---	---	---	---	---
180	0.056	0.082	0.076	0.130	0.194	0.197	---	---	---	---	---
200	0.055	0.056	0.076	0.077	0.142	0.196	---	---	---	---	---
224	0.054	0.056	0.073	0.076	0.142	0.144	---	---	---	---	---
250	0.054	0.054	0.072	0.073	0.136	0.143	---	---	---	---	---
280	0.053	0.054	0.070	0.073	0.135	0.136	---	---	---	---	---
315	0.053	0.053	0.070	0.071	0.132	0.136	---	---	---	---	---
355	---	0.053	---	0.071	0.132	0.133	---	---	---	---	---
400	---	---	---	---	---	0.133	---	---	---	---	---

Moments of Inertia

SK ..207 Units



SK ..307 Units



# Exact Ratios



Nom. Ratio	SK 5207/ SK 5307	SK 6207/ SK 6307	SK 7207/ SK 7307	SK 8207/ SK 8307	SK 9207/ SK 9307	SK 10207/ SK 10307	SK 11207/ SK 11307	SK 12207/ SK 12307	SK 13207/ SK 13307	SK 14207/ SK 14307	SK 15207/ SK 15307
	Exact Ratio										
$i_n$	$i_{ges}$	$i_{ges}$	$i_{ges}$	$i_{ges}$	$i_{ges}$	$i_{ges}$	$i_{ges}$	$i_{ges}$	$i_{ges}$	$i_{ges}$	$i_{ges}$
5.6							5.77	5.64	5.85		5.54
6.3							6.31	6.16	6.38		6.04
7.1	7.20		7.16		7.24		7.19	7.27	7.31	7.20	7.15
8	7.87	7.99	7.87	8.15	7.96	8.15	7.87	7.93	7.98	7.77	7.80
9	9.25	8.80	8.99	8.66	9.10	8.93	9.05	9.10	9.26	9.01	8.96
10	10.11	10.27	9.89	10.25	10.00	10.25	9.91	9.93	10.11	9.72	9.78
11.2	11.57	11.31	11.26	10.89	11.39	11.22	11.61	11.60	11.37	11.42	11.44
12.5	12.65	12.84	12.38	12.83	12.52	12.83	12.71	12.66	12.40	12.32	12.48
14	14.05	14.15	14.20	13.63	14.37	14.05	14.46	14.39	14.24	14.01	14.19
16	15.35	15.59	15.62	16.19	15.79	16.19	15.83	15.69	15.53	15.12	15.48
18	17.70	17.18	17.94	17.20	18.14	17.72	18.50	18.34	18.38	17.55	18.11
20	19.35	19.65	19.72	20.44	19.94	20.44	20.25	20.01	20.05	18.93	19.76
22.4	22.78	21.65	23.05	21.72	23.31	22.38	22.32	22.13	21.90	22.66	21.84
25	24.89	25.28	25.34	26.26	25.63	26.26	26.09	25.87	25.92	24.44	25.54
28	28.65	27.85	27.89	27.90	28.44	28.76	28.56	28.22	28.28	26.70	27.86
31.5	31.30	31.79	30.67	31.79	31.26	32.04	31.90	31.82	31.91	31.95	31.49
35.5	36.27	35.03	36.21	33.77	36.98	35.08	34.93	34.71	34.81	34.47	34.35
40	39.63	40.25	39.81	41.26	40.65	41.66	40.83	40.58	41.20	39.33	40.18
45	45.45	44.35	44.60	43.84	44.70	45.62	44.70	44.26	44.94	42.44	43.83
50	49.67	50.44	49.04	50.82	49.13	50.35	50.25	50.01	50.17	50.78	50.02
56	56.12	55.58	55.39	53.99	55.56	55.14	55.01	54.56	54.73	54.79	54.56
63	61.32	62.28	60.91	63.12	61.07	62.59	64.31	63.77	64.78	61.84	63.82
71	71.05	68.62	71.91	67.07	72.25	68.54	70.40	69.56	70.66	66.72	69.62
80	77.63	78.85	79.07	81.94	79.41	81.38	81.58	81.18	80.34	79.84	80.10
90	89.03	86.87	88.56	87.06	87.32	89.12	89.30	88.55	87.64	86.14	87.37
100	97.29	98.81	97.38	100.92	95.98	98.36	104.39	103.51	103.73	99.02	102.20
112	113.87	108.87	113.97	107.23	111.90	107.71	114.28	112.91	113.15	106.84	111.48
125	124.43	126.37	125.31	129.87	123.04	125.57				127.85	
140	142.70	139.24	140.37	137.98	135.24	138.60				137.94	
160	155.93	158.36	154.34	159.95	157.18	151.77					
180	179.89	174.49	177.56	169.95	172.76	177.05					
200	196.56	199.63	195.24	202.34	198.68	193.87					
224	227.74	219.96	230.49	214.99	218.38	223.80					
250	248.85	252.74	253.44	262.65	258.35	245.07					
280	285.40	278.48	283.89	279.07	283.96	291.01					
315	311.85	316.72	312.15	323.50	312.23	318.66					
355		348.98		343.72	343.19	351.71					
400						385.13					

Exact Ratio



SK ..207 Units



SK ..307 Units



# Thermal Ratings M1/M3 Mounting - 1000 rpm @ 20°C = 68°F



Nom. Ratio	Cooling Type		SK 5207/ SK 5307	SK 6207/ SK 6307	SK 7207/ SK 7307	SK 8207/ SK 8307	SK 9207/ SK 9307	SK 10207/ SK 10307	SK 11207/ SK 11307	SK 12207/ SK 12307	SK 13207/ SK 13307	SK 14207/ SK 14307	SK 15207/ SK 15307
			Thermal Power										
$i_n$			$P_N$ [HP]	$P_N$ [HP]	$P_N$ [HP]	$P_N$ [HP]	$P_N$ [HP]	$P_N$ [HP]	$P_N$ [HP]	$P_N$ [HP]	$P_N$ [HP]	$P_N$ [HP]	$P_N$ [HP]
5.6	---	Pt <sub>0.20</sub>	---	---	---	---	---	---	395	302	362	---	*
	FAN	Pf <sub>20</sub>	---	---	---	---	---	---	222	317	371	---	386
	CC	Pc <sub>20</sub>	---	---	---	---	---	---	726	1,113	1,474	---	1,700
6.3	---	Pt <sub>0.20</sub>	---	---	---	---	---	---	384	301	375	---	*
	FAN	Pf <sub>20</sub>	---	---	---	---	---	---	208	290	347	---	438
	CC	Pc <sub>20</sub>	---	---	---	---	---	---	682	1,024	1,386	---	1,652
7.1	---	Pt <sub>0.20</sub>	201	---	278	---	380	---	444	454	550	522	404
	FAN	Pf <sub>20</sub>	98	---	122	---	174	---	200	269	318	413	498
	CC	Pc <sub>20</sub>	214	---	239	---	262	---	659	973	1,306	1,477	1,601
8	---	Pt <sub>0.20</sub>	191	240	269	289	360	461	425	431	538	529	420
	FAN	Pf <sub>20</sub>	92	105	117	110	162	174	187	248	300	394	461
	CC	Pc <sub>20</sub>	201	219	229	209	244	258	620	900	1,234	1,414	1,491
9	---	Pt <sub>0.20</sub>	193	224	273	321	386	435	463	513	644	707	702
	FAN	Pf <sub>20</sub>	89	97	112	120	158	162	180	238	278	359	420
	CC	Pc <sub>20</sub>	195	203	219	229	238	240	597	869	1,158	1,313	1,398
10	---	Pt <sub>0.20</sub>	183	229	263	281	363	460	440	482	620	699	685
	FAN	Pf <sub>20</sub>	84	96	107	100	147	159	169	220	263	346	396
	CC	Pc <sub>20</sub>	184	201	209	191	222	235	563	806	1,097	1,268	1,318
11.2	---	Pt <sub>0.20</sub>	185	214	261	311	378	431	453	530	676	799	862
	FAN	Pf <sub>20</sub>	83	89	102	110	144	148	159	209	250	317	366
	CC	Pc <sub>20</sub>	181	186	199	210	216	219	530	768	1,050	1,175	1,235
12.5	---	Pt <sub>0.20</sub>	175	218	252	268	355	445	430	499	646	777	821
	FAN	Pf <sub>20</sub>	78	89	98	92	134	144	150	195	237	304	343
	CC	Pc <sub>20</sub>	170	186	191	174	202	214	500	720	996	1,128	1,158
14	---	Pt <sub>0.20</sub>	173	203	245	296	362	417	431	521	667	818	903
	FAN	Pf <sub>20</sub>	76	82	92	100	131	135	142	186	220	284	322
	CC	Pc <sub>20</sub>	166	172	181	191	197	199	473	689	930	1,060	1,094
16	---	Pt <sub>0.20</sub>	164	203	236	250	340	423	409	487	637	793	857
	FAN	Pf <sub>20</sub>	72	82	88	83	122	131	134	174	209	273	302
	CC	Pc <sub>20</sub>	157	171	173	158	184	194	448	643	885	1,018	1,029
18	---	Pt <sub>0.20</sub>	157	190	225	276	336	397	396	488	626	800	894
	FAN	Pf <sub>20</sub>	68	76	82	91	117	123	124	162	190	252	280
	CC	Pc <sub>20</sub>	149	159	162	174	176	182	413	600	804	942	956
20	---	Pt <sub>0.20</sub>	149	183	217	230	316	390	376	457	599	774	848
	FAN	Pf <sub>20</sub>	64	73	79	75	109	117	117	151	181	242	264
	CC	Pc <sub>20</sub>	140	152	155	142	165	174	393	562	767	907	902
22.4	---	Pt <sub>0.20</sub>	144	171	202	252	304	366	253	310	368	748	325
	FAN	Pf <sub>20</sub>	61	68	73	82	102	110	107	138	168	218	250
	CC	Pc <sub>20</sub>	135	142	142	155	154	163	356	509	698	819	815
25	---	Pt <sub>0.20</sub>	136	167	195	207	286	351	246	306	362	724	350
	FAN	Pf <sub>20</sub>	58	66	70	66	96	103	100	131	156	210	235
	CC	Pc <sub>20</sub>	127	138	137	126	145	152	333	481	649	790	771
28	---	Pt <sub>0.20</sub>	108	157	144	226	231	330	235	289	349	458	336
	FAN	Pf <sub>20</sub>	49	61	58	72	84	97	96	124	149	185	224
	CC	Pc <sub>20</sub>	107	129	114	137	127	143	318	455	623	681	736
31.5	---	Pt <sub>0.20</sub>	103	125	139	152	220	270	263	337	413	440	493
	FAN	Pf <sub>20</sub>	47	52	56	54	80	84	92	120	141	169	203
	CC	Pc <sub>20</sub>	103	109	110	103	120	125	309	447	595	624	679
35.5	---	Pt <sub>0.20</sub>	99	119	132	163	210	256	252	318	397	429	471
	FAN	Pf <sub>20</sub>	45	49	53	58	75	80	88	114	135	164	194
	CC	Pc <sub>20</sub>	99	103	104	110	114	118	295	422	572	607	649
40	---	Pt <sub>0.20</sub>	95	115	128	140	199	244	241	308	377	484	463
	FAN	Pf <sub>20</sub>	43	48	51	49	72	75	83	108	126	154	184
	CC	Pc <sub>20</sub>	94	100	101	94	108	112	277	400	532	572	618
45	---	Pt <sub>0.20</sub>	91	109	128	150	194	231	230	291	363	471	443
	FAN	Pf <sub>20</sub>	41	45	51	53	69	72	79	102	121	149	176
	CC	Pc <sub>20</sub>	91	95	100	101	104	106	265	379	511	557	591

\* Additional Cooling Necessary - Consult Factory



Nom. Ratio	Cooling Type		SK 5207/ SK 5307	SK 6207/ SK 6307	SK 7207/ SK 7307	SK 8207/ SK 8307	SK 9207/ SK 9307	SK 10207/ SK 10307	SK 11207/ SK 11307	SK 12207/ SK 12307	SK 13207/ SK 13307	SK 14207/ SK 14307	SK 15207/ SK 15307
			Thermal Power										
			P <sub>N</sub> [HP]	P <sub>N</sub> [HP]	P <sub>N</sub> [HP]	P <sub>N</sub> [HP]	P <sub>N</sub> [HP]	P <sub>N</sub> [HP]	P <sub>N</sub> [HP]	P <sub>N</sub> [HP]	P <sub>N</sub> [HP]	P <sub>N</sub> [HP]	P <sub>N</sub> [HP]
i <sub>N</sub>													
50	---	P <sub>t0.20</sub>	88	106	123	134	185	226	234	301	384	440	539
	FAN	P <sub>f.20</sub>	40	44	49	47	66	69	74	96	114	137	163
	CC	P <sub>c.20</sub>	87	92	97	90	99	103	249	360	485	511	559
56	---	P <sub>t0.20</sub>	91	101	125	144	198	215	224	285	369	429	515
	FAN	P <sub>f.20</sub>	40	42	47	50	67	66	71	91	110	133	156
	CC	P <sub>c.20</sub>	87	87	93	97	100	97	239	341	467	497	534
63	---	P <sub>t0.20</sub>	87	106	121	131	188	229	213	274	348	441	498
	FAN	P <sub>f.20</sub>	38	42	45	44	63	67	67	87	102	124	149
	CC	P <sub>c.20</sub>	83	89	90	83	95	99	225	324	435	466	510
71	---	P <sub>t0.20</sub>	84	100	114	141	178	217	205	260	335	430	476
	FAN	P <sub>f.20</sub>	36	40	43	47	59	63	64	83	99	121	143
	CC	P <sub>c.20</sub>	80	84	85	90	90	94	216	308	419	454	488
80	---	P <sub>t0.20</sub>	80	97	111	120	169	205	194	251	324	400	471
	FAN	P <sub>f.20</sub>	35	39	42	40	56	60	58	75	89	112	127
	CC	P <sub>c.20</sub>	76	81	82	76	85	88	196	282	381	418	434
90	---	P <sub>t0.20</sub>	77	91	110	129	164	194	187	239	313	389	452
	FAN	P <sub>f.20</sub>	33	37	41	43	55	57	56	72	86	109	121
	CC	P <sub>c.20</sub>	73	77	82	82	82	84	188	269	368	407	417
100	---	P <sub>t0.20</sub>	74	89	106	115	156	189	178	230	296	369	437
	FAN	P <sub>f.20</sub>	32	36	40	38	52	55	53	69	81	98	117
	CC	P <sub>c.20</sub>	70	75	79	73	78	81	178	256	345	366	401
112	---	P <sub>t0.20</sub>	71	84	98	124	152	180	171	219	286	361	419
	FAN	P <sub>f.20</sub>	30	34	36	41	50	52	51	65	78	95	112
	CC	P <sub>c.20</sub>	67	71	71	79	75	77	171	245	333	358	385
125	---	P <sub>t0.20</sub>	68	82	94	102	148	174	---	---	---	336	---
	FAN	P <sub>f.20</sub>	29	32	35	33	48	50	---	---	---	88	---
	CC	P <sub>c.20</sub>	64	68	68	64	73	74	---	---	---	331	---
140	---	P <sub>t0.20</sub>	65	77	94	109	141	170	---	---	---	329	---
	FAN	P <sub>f.20</sub>	28	31	35	36	46	48	---	---	---	86	---
	CC	P <sub>c.20</sub>	62	64	68	68	69	71	---	---	---	324	---
160	---	P <sub>t0.20</sub>	63	75	91	98	135	161	---	---	---	---	---
	FAN	P <sub>f.20</sub>	27	30	33	32	44	46	---	---	---	---	---
	CC	P <sub>c.20</sub>	59	63	66	61	66	68	---	---	---	---	---
180	---	P <sub>t0.20</sub>	49	71	73	105	129	155	---	---	---	---	---
	FAN	P <sub>f.20</sub>	22	28	27	34	42	44	---	---	---	---	---
	CC	P <sub>c.20</sub>	48	59	53	66	63	65	---	---	---	---	---
200	---	P <sub>t0.20</sub>	48	57	71	77	106	147	---	---	---	---	---
	FAN	P <sub>f.20</sub>	21	23	26	25	34	42	---	---	---	---	---
	CC	P <sub>c.20</sub>	46	48	51	48	51	62	---	---	---	---	---
224	---	P <sub>t0.20</sub>	46	54	68	82	102	121	---	---	---	---	---
	FAN	P <sub>f.20</sub>	20	22	25	27	32	34	---	---	---	---	---
	CC	P <sub>c.20</sub>	45	46	49	51	49	50	---	---	---	---	---
250	---	P <sub>t0.20</sub>	45	53	66	72	98	117	---	---	---	---	---
	FAN	P <sub>f.20</sub>	20	21	24	23	31	32	---	---	---	---	---
	CC	P <sub>c.20</sub>	43	45	48	45	47	48	---	---	---	---	---
280	---	P <sub>t0.20</sub>	43	51	66	76	94	112	---	---	---	---	---
	FAN	P <sub>f.20</sub>	19	20	24	25	30	31	---	---	---	---	---
	CC	P <sub>c.20</sub>	42	43	48	48	45	46	---	---	---	---	---
315	---	P <sub>t0.20</sub>	42	50	64	69	92	107	---	---	---	---	---
	FAN	P <sub>f.20</sub>	18	20	23	23	29	30	---	---	---	---	---
	CC	P <sub>c.20</sub>	40	42	46	43	44	44	---	---	---	---	---
355	---	P <sub>t0.20</sub>	---	48	---	74	89	105	---	---	---	---	---
	FAN	P <sub>f.20</sub>	---	19	---	24	28	29	---	---	---	---	---
	CC	P <sub>c.20</sub>	---	40	---	46	42	43	---	---	---	---	---
400	---	P <sub>t0.20</sub>	---	---	---	---	---	101	---	---	---	---	---
	FAN	P <sub>f.20</sub>	---	---	---	---	---	28	---	---	---	---	---
	CC	P <sub>c.20</sub>	---	---	---	---	---	42	---	---	---	---	---
450	---	P <sub>t0.20</sub>	---	---	---	---	---	---	---	---	---	---	---
	FAN	P <sub>f.20</sub>	---	---	---	---	---	---	---	---	---	---	---
	CC	P <sub>c.20</sub>	---	---	---	---	---	---	---	---	---	---	---

Thermal Ratings

# Thermal Ratings M1/M3 Mounting - 1000 rpm @ 40°C = 104°F



Thermal Ratings

Nom. Ratio	Cooling Type		SK 5207/ SK 5307	SK 6207/ SK 6307	SK 7207/ SK 7307	SK 8207/ SK 8307	SK 9207/ SK 9307	SK 10207/ SK 10307	SK 11207/ SK 11307	SK 12207/ SK 12307	SK 13207/ SK 13307	SK 14207/ SK 14307	SK 15207/ SK 15307
			Thermal Power										
$i_n$			$P_N$ [HP]	$P_N$ [HP]	$P_N$ [HP]	$P_N$ [HP]	$P_N$ [HP]	$P_N$ [HP]	$P_N$ [HP]	$P_N$ [HP]	$P_N$ [HP]	$P_N$ [HP]	$P_N$ [HP]
5.6	---	Pt <sub>0.40</sub>	---	---	---	---	---	---	272	98	93	---	*
	FAN	Pf <sub>0.40</sub>	---	---	---	---	---	---	208	325	390	---	*
	CC	Pc <sub>0.20</sub>	---	---	---	---	---	---	756	1,191	1,581	---	1,427
6.3	---	Pt <sub>0.40</sub>	---	---	---	---	---	---	269	119	131	---	*
	FAN	Pf <sub>0.40</sub>	---	---	---	---	---	---	194	292	357	---	*
	CC	Pc <sub>0.20</sub>	---	---	---	---	---	---	709	1,090	1,478	---	1,397
7.1	---	Pt <sub>0.40</sub>	167	---	226	---	299	---	335	301	348	243	5
	FAN	Pf <sub>0.40</sub>	86	---	109	---	157	---	184	254	305	410	548
	CC	Pc <sub>0.20</sub>	218	---	246	---	271	---	682	1,014	1,362	1,563	1,761
8	---	Pt <sub>0.40</sub>	159	200	220	238	284	369	323	291	349	266	61
	FAN	Pf <sub>0.40</sub>	81	92	104	99	146	159	173	233	286	388	497
	CC	Pc <sub>0.20</sub>	206	224	236	215	253	267	641	936	1,285	1,493	1,627
9	---	Pt <sub>0.40</sub>	162	187	226	264	313	349	365	381	472	479	420
	FAN	Pf <sub>0.40</sub>	78	86	99	108	142	148	165	221	261	341	405
	CC	Pc <sub>0.20</sub>	200	208	225	236	246	248	617	901	1,199	1,367	1,466
10	---	Pt <sub>0.40</sub>	154	193	219	234	295	376	348	360	458	479	422
	FAN	Pf <sub>0.40</sub>	74	84	95	90	132	144	155	204	246	328	380
	CC	Pc <sub>0.20</sub>	188	205	215	196	229	242	581	835	1,135	1,319	1,380
11.2	---	Pt <sub>0.40</sub>	156	180	219	259	312	354	368	416	523	602	625
	FAN	Pf <sub>0.40</sub>	72	78	90	99	129	134	145	192	233	296	344
	CC	Pc <sub>0.20</sub>	185	190	205	216	223	226	546	793	1,084	1,215	1,281
12.5	---	Pt <sub>0.40</sub>	148	184	211	225	293	369	349	392	501	587	599
	FAN	Pf <sub>0.40</sub>	68	78	87	82	120	131	137	179	220	284	322
	CC	Pc <sub>0.20</sub>	174	190	196	179	208	220	516	742	1,028	1,166	1,201
14	---	Pt <sub>0.40</sub>	147	172	207	248	302	346	355	419	533	643	697
	FAN	Pf <sub>0.40</sub>	66	72	82	90	117	122	129	171	204	264	300
	CC	Pc <sub>0.20</sub>	170	176	185	197	203	205	487	710	958	1,093	1,130
16	---	Pt <sub>0.40</sub>	139	173	199	212	284	354	337	392	509	624	663
	FAN	Pf <sub>0.40</sub>	63	72	78	74	109	119	122	159	194	254	282
	CC	Pc <sub>0.20</sub>	160	175	178	163	190	200	461	662	911	1,050	1,062
18	---	Pt <sub>0.40</sub>	133	161	191	233	283	332	329	400	511	646	716
	FAN	Pf <sub>0.40</sub>	59	66	73	81	104	111	113	148	175	233	259
	CC	Pc <sub>0.20</sub>	152	162	166	178	181	187	425	617	827	970	985
20	---	Pt <sub>0.40</sub>	127	156	184	195	266	329	313	374	489	626	679
	FAN	Pf <sub>0.40</sub>	56	64	70	67	98	106	107	138	167	224	244
	CC	Pc <sub>0.20</sub>	143	156	159	146	170	179	404	578	789	933	929
22.4	---	Pt <sub>0.40</sub>	122	146	172	214	257	309	194	233	264	615	148
	FAN	Pf <sub>0.40</sub>	54	59	64	73	91	99	99	128	158	201	251
	CC	Pc <sub>0.20</sub>	137	145	146	160	159	167	368	525	723	842	869
25	---	Pt <sub>0.40</sub>	116	143	166	176	242	297	191	234	266	595	189
	FAN	Pf <sub>0.40</sub>	51	58	62	59	86	93	92	121	146	194	231
	CC	Pc <sub>0.20</sub>	130	141	141	129	149	157	344	497	672	812	816
28	---	Pt <sub>0.40</sub>	91	133	120	193	193	280	183	221	256	343	183
	FAN	Pf <sub>0.40</sub>	43	54	51	64	75	87	88	114	140	174	220
	CC	Pc <sub>0.20</sub>	109	131	117	141	131	147	329	470	645	707	778
31.5	---	Pt <sub>0.40</sub>	87	105	116	127	183	225	213	272	327	334	360
	FAN	Pf <sub>0.40</sub>	41	46	49	48	71	76	84	110	130	159	192
	CC	Pc <sub>0.20</sub>	105	112	113	105	124	129	318	460	613	647	707
35.5	---	Pt <sub>0.40</sub>	84	100	110	136	175	214	204	256	314	326	345
	FAN	Pf <sub>0.40</sub>	39	43	47	51	67	72	81	104	125	154	183
	CC	Pc <sub>0.20</sub>	101	105	107	113	117	122	304	434	589	629	676
40	---	Pt <sub>0.40</sub>	80	97	107	117	166	204	196	249	301	389	343
	FAN	Pf <sub>0.40</sub>	38	42	45	44	64	68	76	99	117	143	174
	CC	Pc <sub>0.20</sub>	96	103	103	96	111	115	285	412	547	591	643
45	---	Pt <sub>0.40</sub>	77	92	107	126	163	194	188	235	289	379	328
	FAN	Pf <sub>0.40</sub>	36	40	45	47	62	65	72	93	112	139	166
	CC	Pc <sub>0.20</sub>	92	97	102	103	107	109	273	390	527	574	615

\* Additional Cooling Necessary - Consult Factory



Nom. Ratio	Cooling Type		SK 5207/ SK 5307	SK 6207/ SK 6307	SK 7207/ SK 7307	SK 8207/ SK 8307	SK 9207/ SK 9307	SK 10207/ SK 10307	SK 11207/ SK 11307	SK 12207/ SK 12307	SK 13207/ SK 13307	SK 14207/ SK 14307	SK 15207/ SK 15307
			Thermal Power										
$i_N$			$P_N$ [HP]	$P_N$ [HP]	$P_N$ [HP]	$P_N$ [HP]	$P_N$ [HP]	$P_N$ [HP]	$P_N$ [HP]	$P_N$ [HP]	$P_N$ [HP]	$P_N$ [HP]	$P_N$ [HP]
50	---	Pt <sub>0.40</sub>	74	90	103	113	155	189	194	249	315	356	435
	FAN	P <sub>IF.40</sub>	35	39	43	42	59	63	68	88	105	127	151
	CC	P <sub>IC.20</sub>	88	94	99	92	102	106	256	369	498	527	575
56	---	Pt <sub>0.40</sub>	78	85	106	121	168	180	186	236	303	347	416
	FAN	P <sub>IF.40</sub>	35	36	42	45	59	60	65	83	101	124	145
	CC	P <sub>IC.20</sub>	89	89	95	99	103	100	246	350	479	513	550
63	---	Pt <sub>0.40</sub>	74	90	102	110	159	194	177	227	286	365	403
	FAN	P <sub>IF.40</sub>	33	37	40	39	56	60	61	79	94	115	138
	CC	P <sub>IC.20</sub>	85	90	92	85	98	102	231	333	447	480	525
71	---	Pt <sub>0.40</sub>	71	85	97	119	151	184	170	215	276	356	385
	FAN	P <sub>IF.40</sub>	32	35	38	42	53	57	59	75	91	112	132
	CC	P <sub>IC.20</sub>	81	85	87	92	92	96	222	316	431	467	502
80	---	Pt <sub>0.40</sub>	68	82	94	101	143	174	163	210	270	331	391
	FAN	P <sub>IF.40</sub>	30	34	37	35	50	54	53	69	82	103	117
	CC	P <sub>IC.20</sub>	78	83	84	78	88	91	201	290	390	430	446
90	---	Pt <sub>0.40</sub>	65	78	93	109	139	165	157	200	261	323	375
	FAN	P <sub>IF.40</sub>	29	32	36	38	49	51	51	65	79	101	112
	CC	P <sub>IC.20</sub>	75	78	83	84	85	86	193	276	377	419	429
100	---	Pt <sub>0.40</sub>	63	75	90	97	133	160	149	193	247	310	363
	FAN	P <sub>IF.40</sub>	28	31	35	34	46	49	48	63	74	90	108
	CC	P <sub>IC.20</sub>	71	76	80	75	81	83	183	263	354	376	412
112	---	Pt <sub>0.40</sub>	60	71	83	105	129	152	144	183	238	302	348
	FAN	P <sub>IF.40</sub>	26	29	32	37	44	47	46	60	72	88	103
	CC	P <sub>IC.20</sub>	68	72	72	80	77	79	176	251	342	367	395
125	---	Pt <sub>0.40</sub>	58	70	80	87	126	148	---	---	---	282	---
	FAN	P <sub>IF.40</sub>	25	28	31	30	43	45	---	---	---	81	---
	CC	P <sub>IC.20</sub>	65	69	70	65	75	76	---	---	---	341	---
140	---	Pt <sub>0.40</sub>	56	66	80	93	120	144	---	---	---	276	---
	FAN	P <sub>IF.40</sub>	24	27	31	32	41	44	---	---	---	80	---
	CC	P <sub>IC.20</sub>	63	66	70	70	71	73	---	---	---	333	---
160	---	Pt <sub>0.40</sub>	53	64	77	83	115	137	---	---	---	---	---
	FAN	P <sub>IF.40</sub>	23	26	29	28	39	41	---	---	---	---	---
	CC	P <sub>IC.20</sub>	60	64	67	63	68	70	---	---	---	---	---
180	---	Pt <sub>0.40</sub>	42	61	62	89	110	132	---	---	---	---	---
	FAN	P <sub>IF.40</sub>	19	25	24	31	37	39	---	---	---	---	---
	CC	P <sub>IC.20</sub>	48	60	54	67	64	67	---	---	---	---	---
200	---	Pt <sub>0.40</sub>	41	48	60	66	91	126	---	---	---	---	---
	FAN	P <sub>IF.40</sub>	18	20	23	22	30	38	---	---	---	---	---
	CC	P <sub>IC.20</sub>	47	49	52	49	52	63	---	---	---	---	---
224	---	Pt <sub>0.40</sub>	39	46	58	70	88	104	---	---	---	---	---
	FAN	P <sub>IF.40</sub>	18	19	22	24	29	30	---	---	---	---	---
	CC	P <sub>IC.20</sub>	45	47	50	52	50	51	---	---	---	---	---
250	---	Pt <sub>0.40</sub>	38	45	56	61	84	100	---	---	---	---	---
	FAN	P <sub>IF.40</sub>	17	19	21	21	28	29	---	---	---	---	---
	CC	P <sub>IC.20</sub>	44	46	49	46	48	50	---	---	---	---	---
280	---	Pt <sub>0.40</sub>	37	43	56	65	81	96	---	---	---	---	---
	FAN	P <sub>IF.40</sub>	16	18	21	22	27	28	---	---	---	---	---
	CC	P <sub>IC.20</sub>	42	44	49	49	46	47	---	---	---	---	---
315	---	Pt <sub>0.40</sub>	36	42	54	59	79	92	---	---	---	---	---
	FAN	P <sub>IF.40</sub>	16	18	21	20	26	27	---	---	---	---	---
	CC	P <sub>IC.20</sub>	41	43	47	44	45	46	---	---	---	---	---
355	---	Pt <sub>0.40</sub>	---	41	---	63	76	90	---	---	---	---	---
	FAN	P <sub>IF.40</sub>	---	17	---	21	25	26	---	---	---	---	---
	CC	P <sub>IC.20</sub>	---	41	---	47	44	45	---	---	---	---	---
400	---	Pt <sub>0.40</sub>	---	---	---	---	87	---	---	---	---	---	---
	FAN	P <sub>IF.40</sub>	---	---	---	---	25	---	---	---	---	---	---
	CC	P <sub>IC.20</sub>	---	---	---	---	43	---	---	---	---	---	---
450	---	Pt <sub>0.40</sub>	---	---	---	---	---	---	---	---	---	---	---
	FAN	P <sub>IF.40</sub>	---	---	---	---	---	---	---	---	---	---	---
	CC	P <sub>IC.20</sub>	---	---	---	---	---	---	---	---	---	---	---

Thermal Ratings

# Thermal Ratings

## M1/M3 Mounting - 1200 rpm

### @ 20°C = 68°F

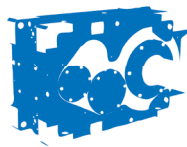


Thermal Ratings

Nom. Ratio	Cooling Type		SK 5207/ SK 5307	SK 6207/ SK 6307	SK 7207/ SK 7307	SK 8207/ SK 8307	SK 9207/ SK 9307	SK 10207/ SK 10307	SK 11207/ SK 11307	SK 12207/ SK 12307	SK 13207/ SK 13307	SK 14207/ SK 14307	SK 15207/ SK 15307
			Thermal Power										
$i_n$			$P_N$ [HP]	$P_N$ [HP]	$P_N$ [HP]	$P_N$ [HP]	$P_N$ [HP]	$P_N$ [HP]	$P_N$ [HP]	$P_N$ [HP]	$P_N$ [HP]	$P_N$ [HP]	$P_N$ [HP]
5.6	---	Pt <sub>0.20</sub>	---	---	---	---	---	---	248	*	*	---	*
	FAN	Pf <sub>20</sub>	---	---	---	---	---	---	255	344	356	---	*
	CC	Pc <sub>20</sub>	---	---	---	---	---	---	811	1,252	1,621	---	967
6.3	---	Pt <sub>0.20</sub>	---	---	---	---	---	---	254	*	*	---	*
	FAN	Pf <sub>20</sub>	---	---	---	---	---	---	238	351	386	---	*
	CC	Pc <sub>20</sub>	---	---	---	---	---	---	759	1,184	1,570	---	1,001
7.1	---	Pt <sub>0.20</sub>	197	---	262	---	333	---	355	256	269	*	*
	FAN	Pf <sub>20</sub>	104	---	132	---	190	---	222	314	378	555	292
	CC	Pc <sub>20</sub>	227	---	257	---	284	---	722	1,091	1,473	1,764	1,604
8	---	Pt <sub>0.20</sub>	188	238	255	279	319	421	345	257	286	43	*
	FAN	Pf <sub>20</sub>	98	112	126	118	176	189	208	288	353	530	343
	CC	Pc <sub>20</sub>	214	233	246	224	265	279	678	1,006	1,386	1,685	1,553
9	---	Pt <sub>0.20</sub>	194	223	267	310	362	400	411	396	484	429	267
	FAN	Pf <sub>20</sub>	95	103	119	129	170	176	197	266	313	415	512
	CC	Pc <sub>20</sub>	207	216	233	245	256	259	648	955	1,273	1,469	1,605
10	---	Pt <sub>0.20</sub>	184	232	259	279	342	441	393	377	474	439	293
	FAN	Pf <sub>20</sub>	89	102	114	107	159	170	185	246	295	398	476
	CC	Pc <sub>20</sub>	195	213	224	204	239	252	610	884	1,204	1,415	1,505
11.2	---	Pt <sub>0.20</sub>	188	217	261	309	367	416	427	464	576	641	627
	FAN	Pf <sub>20</sub>	88	94	108	118	154	159	172	229	276	353	411
	CC	Pc <sub>20</sub>	192	197	212	224	232	235	570	834	1,142	1,286	1,361
12.5	---	Pt <sub>0.20</sub>	178	223	252	271	347	440	407	439	556	630	608
	FAN	Pf <sub>20</sub>	83	94	104	98	144	154	162	214	261	338	384
	CC	Pc <sub>20</sub>	180	197	204	186	216	228	539	781	1,082	1,233	1,274
14	---	Pt <sub>0.20</sub>	177	208	249	299	361	413	419	484	612	724	766
	FAN	Pf <sub>20</sub>	80	87	98	107	139	144	153	203	240	311	353
	CC	Pc <sub>20</sub>	176	182	192	204	210	213	508	744	1,004	1,148	1,188
16	---	Pt <sub>0.20</sub>	168	209	240	256	340	426	398	453	586	705	732
	FAN	Pf <sub>20</sub>	76	86	94	88	130	140	145	189	228	299	332
	CC	Pc <sub>20</sub>	166	181	184	168	197	207	481	693	955	1,103	1,117
18	---	Pt <sub>0.20</sub>	162	195	231	282	341	400	393	470	601	751	824
	FAN	Pf <sub>20</sub>	72	80	87	97	124	131	133	175	205	273	303
	CC	Pc <sub>20</sub>	157	168	171	184	187	194	442	644	864	1,015	1,030
20	---	Pt <sub>0.20</sub>	153	189	223	237	321	398	374	441	576	728	784
	FAN	Pf <sub>20</sub>	68	77	84	79	116	125	126	164	196	262	286
	CC	Pc <sub>20</sub>	148	161	165	151	176	185	420	604	824	976	971
22.4	---	Pt <sub>0.20</sub>	149	177	209	260	312	374	212	247	261	729	*
	FAN	Pf <sub>20</sub>	65	72	77	87	109	117	119	154	190	235	328
	CC	Pc <sub>20</sub>	142	150	151	165	164	173	388	556	771	878	978
25	---	Pt <sub>0.20</sub>	141	174	202	215	294	362	211	252	271	707	63
	FAN	Pf <sub>20</sub>	61	69	74	70	102	109	111	145	175	226	310
	CC	Pc <sub>20</sub>	135	146	146	134	154	162	362	525	714	847	920
28	---	Pt <sub>0.20</sub>	109	163	143	235	229	341	203	239	262	359	66
	FAN	Pf <sub>20</sub>	52	65	62	76	90	103	106	137	168	207	294
	CC	Pc <sub>20</sub>	114	136	121	145	136	152	347	496	686	750	875
31.5	---	Pt <sub>0.20</sub>	104	127	139	153	218	270	248	313	370	357	364
	FAN	Pf <sub>20</sub>	50	55	60	57	85	90	100	131	154	189	230
	CC	Pc <sub>20</sub>	109	116	117	109	129	133	332	481	643	685	753
35.5	---	Pt <sub>0.20</sub>	101	120	132	164	209	257	237	295	356	349	350
	FAN	Pf <sub>20</sub>	48	52	56	61	81	85	96	123	148	184	219
	CC	Pc <sub>20</sub>	105	109	111	117	121	126	318	455	618	666	720
40	---	Pt <sub>0.20</sub>	96	117	128	141	199	245	228	288	343	448	355
	FAN	Pf <sub>20</sub>	46	51	54	52	77	81	90	117	137	167	207
	CC	Pc <sub>20</sub>	100	106	107	99	115	119	298	431	575	619	683
45	---	Pt <sub>0.20</sub>	93	111	127	151	194	233	219	272	330	437	340
	FAN	Pf <sub>20</sub>	44	48	54	56	74	76	86	111	132	163	198
	CC	Pc <sub>20</sub>	96	101	106	107	111	113	286	408	553	602	653

\* Additional Cooling Necessary - Consult Factory





Nom. Ratio	Cooling Type		SK 5207/ SK 5307	SK 6207/ SK 6307	SK 7207/ SK 7307	SK 8207/ SK 8307	SK 9207/ SK 9307	SK 10207/ SK 10307	SK 11207/ SK 11307	SK 12207/ SK 12307	SK 13207/ SK 13307	SK 14207/ SK 14307	SK 15207/ SK 15307
			Thermal Power										
$i_N$			$P_N$ [HP]	$P_N$ [HP]	$P_N$ [HP]	$P_N$ [HP]	$P_N$ [HP]	$P_N$ [HP]	$P_N$ [HP]	$P_N$ [HP]	$P_N$ [HP]	$P_N$ [HP]	$P_N$ [HP]
50	---	Pt <sub>0.20</sub>	89	108	123	136	185	228	231	295	371	411	504
	FAN	P <sub>IF.20</sub>	42	47	52	50	70	74	80	104	123	149	177
	CC	P <sub>IC.20</sub>	92	98	102	95	106	109	266	385	520	552	601
56	---	Pt <sub>0.20</sub>	94	103	128	146	203	217	222	279	357	401	482
	FAN	P <sub>IF.20</sub>	42	44	50	54	71	70	76	98	118	145	169
	CC	P <sub>IC.20</sub>	92	92	98	102	107	104	256	365	500	537	574
63	---	Pt <sub>0.20</sub>	90	109	124	135	193	236	211	270	339	434	468
	FAN	P <sub>IF.20</sub>	40	45	48	46	67	71	72	94	110	134	161
	CC	P <sub>IC.20</sub>	88	94	95	88	101	105	240	347	466	500	549
71	---	Pt <sub>0.20</sub>	86	103	117	145	183	223	203	256	326	423	448
	FAN	P <sub>IF.20</sub>	38	42	46	50	63	67	69	89	106	131	154
	CC	P <sub>IC.20</sub>	84	88	90	95	95	100	231	330	450	487	525
80	---	Pt <sub>0.20</sub>	82	100	114	123	174	211	196	253	325	394	468
	FAN	P <sub>IF.20</sub>	37	41	44	42	60	63	62	81	95	120	136
	CC	P <sub>IC.20</sub>	81	86	87	81	91	94	209	301	406	448	464
90	---	Pt <sub>0.20</sub>	79	94	113	132	169	201	189	241	313	384	449
	FAN	P <sub>IF.20</sub>	35	39	44	45	58	60	60	77	92	117	130
	CC	P <sub>IC.20</sub>	77	81	86	87	88	89	201	287	392	437	445
100	---	Pt <sub>0.20</sub>	76	92	109	118	161	195	180	232	297	374	434
	FAN	P <sub>IF.20</sub>	34	38	42	40	55	58	57	73	87	104	125
	CC	P <sub>IC.20</sub>	74	79	83	77	83	86	190	274	368	391	428
112	---	Pt <sub>0.20</sub>	73	87	101	127	157	186	173	221	287	365	416
	FAN	P <sub>IF.20</sub>	32	35	38	44	53	55	55	70	84	102	120
	CC	P <sub>IC.20</sub>	70	75	75	83	80	82	183	261	356	382	411
125	---	Pt <sub>0.20</sub>	70	85	98	106	153	181	---	---	---	341	---
	FAN	P <sub>IF.20</sub>	31	34	37	35	51	53	---	---	---	95	---
	CC	P <sub>IC.20</sub>	67	72	72	67	77	78	---	---	---	354	---
140	---	Pt <sub>0.20</sub>	68	80	97	113	146	176	---	---	---	333	---
	FAN	P <sub>IF.20</sub>	30	32	37	38	49	51	---	---	---	92	---
	CC	P <sub>IC.20</sub>	65	68	72	72	73	76	---	---	---	346	---
160	---	Pt <sub>0.20</sub>	65	78	94	102	140	167	---	---	---	---	---
	FAN	P <sub>IF.20</sub>	28	31	35	34	46	49	---	---	---	---	---
	CC	P <sub>IC.20</sub>	62	66	70	65	70	72	---	---	---	---	---
180	---	Pt <sub>0.20</sub>	51	74	76	109	134	161	---	---	---	---	---
	FAN	P <sub>IF.20</sub>	23	30	28	36	44	46	---	---	---	---	---
	CC	P <sub>IC.20</sub>	50	63	56	70	66	69	---	---	---	---	---
200	---	Pt <sub>0.20</sub>	49	58	74	80	111	154	---	---	---	---	---
	FAN	P <sub>IF.20</sub>	22	24	27	27	36	44	---	---	---	---	---
	CC	P <sub>IC.20</sub>	48	51	54	51	54	65	---	---	---	---	---
224	---	Pt <sub>0.20</sub>	48	56	70	85	107	127	---	---	---	---	---
	FAN	P <sub>IF.20</sub>	21	23	26	28	34	36	---	---	---	---	---
	CC	P <sub>IC.20</sub>	47	48	52	54	52	53	---	---	---	---	---
250	---	Pt <sub>0.20</sub>	46	55	69	75	102	122	---	---	---	---	---
	FAN	P <sub>IF.20</sub>	20	23	26	25	33	34	---	---	---	---	---
	CC	P <sub>IC.20</sub>	45	47	50	47	50	51	---	---	---	---	---
280	---	Pt <sub>0.20</sub>	45	53	68	79	98	117	---	---	---	---	---
	FAN	P <sub>IF.20</sub>	20	22	25	26	32	33	---	---	---	---	---
	CC	P <sub>IC.20</sub>	44	45	50	50	48	49	---	---	---	---	---
315	---	Pt <sub>0.20</sub>	43	52	66	72	96	112	---	---	---	---	---
	FAN	P <sub>IF.20</sub>	19	21	25	24	31	32	---	---	---	---	---
	CC	P <sub>IC.20</sub>	42	44	49	46	47	47	---	---	---	---	---
355	---	Pt <sub>0.20</sub>	---	49	---	77	93	110	---	---	---	---	---
	FAN	P <sub>IF.20</sub>	---	20	---	25	30	31	---	---	---	---	---
	CC	P <sub>IC.20</sub>	---	42	---	49	45	46	---	---	---	---	---
400	---	Pt <sub>0.20</sub>	---	---	---	---	106	---	---	---	---	---	---
	FAN	P <sub>IF.20</sub>	---	---	---	---	30	---	---	---	---	---	---
	CC	P <sub>IC.20</sub>	---	---	---	---	44	---	---	---	---	---	---
450	---	Pt <sub>0.20</sub>	---	---	---	---	---	---	---	---	---	---	---
	FAN	P <sub>IF.20</sub>	---	---	---	---	---	---	---	---	---	---	---
	CC	P <sub>IC.20</sub>	---	---	---	---	---	---	---	---	---	---	---

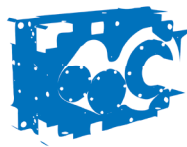
Thermal Ratings

# Thermal Ratings M1/M3 Mounting - 1200 rpm @ 40°C = 104°F



Nom. Ratio	Cooling Type		SK 5207/ SK 5307	SK 6207/ SK 6307	SK 7207/ SK 7307	SK 8207/ SK 8307	SK 9207/ SK 9307	SK 10207/ SK 10307	SK 11207/ SK 11307	SK 12207/ SK 12307	SK 13207/ SK 13307	SK 14207/ SK 14307	SK 15207/ SK 15307
			Thermal Power										P <sub>N</sub>
i <sub>n</sub>			P <sub>N</sub>	P <sub>N</sub>	P <sub>N</sub>	P <sub>N</sub>	P <sub>N</sub>	P <sub>N</sub>	P <sub>N</sub>	P <sub>N</sub>	P <sub>N</sub>	P <sub>N</sub>	P <sub>N</sub>
			[HP]	[HP]	[HP]	[HP]	[HP]	[HP]	[HP]	[HP]	[HP]	[HP]	[HP]
5.6	---	Pt <sub>0.40</sub>	---	---	---	---	---	---	85	*	*	---	*
	FAN	Pf <sub>0.40</sub>	---	---	---	---	---	---	262	74	*	---	*
	CC	Pc <sub>0.20</sub>	---	---	---	---	---	---	872	1,113	1,443	---	630
6.3	---	Pt <sub>0.40</sub>	---	---	---	---	---	---	105	*	*	---	*
	FAN	Pf <sub>0.40</sub>	---	---	---	---	---	---	240	111	60	---	*
	CC	Pc <sub>0.20</sub>	---	---	---	---	---	---	811	1,056	1,402	---	693
7.1	---	Pt <sub>0.40</sub>	161	---	207	---	244	---	229	45	*	*	*
	FAN	Pf <sub>0.40</sub>	92	---	118	---	173	---	210	332	394	185	*
	CC	Pc <sub>0.20</sub>	233	---	265	---	297	---	755	1,180	1,583	1,551	1,335
8	---	Pt <sub>0.40</sub>	154	196	202	223	236	320	229	68	17	*	*
	FAN	Pf <sub>0.40</sub>	86	98	113	106	160	173	196	299	385	231	*
	CC	Pc <sub>0.20</sub>	219	239	253	231	276	291	708	1,082	1,503	1,524	1,302
9	---	Pt <sub>0.40</sub>	161	184	217	249	282	306	302	242	282	128	*
	FAN	Pf <sub>0.40</sub>	83	91	106	117	154	161	183	254	302	433	427
	CC	Pc <sub>0.20</sub>	212	221	240	253	266	270	672	999	1,333	1,580	1,637
10	---	Pt <sub>0.40</sub>	153	193	211	229	269	350	292	236	285	157	*
	FAN	Pf <sub>0.40</sub>	78	89	102	96	143	155	171	233	284	409	440
	CC	Pc <sub>0.20</sub>	200	217	230	210	247	261	632	924	1,259	1,513	1,576
11.2	---	Pt <sub>0.40</sub>	157	181	216	254	297	331	333	336	404	415	348
	FAN	Pf <sub>0.40</sub>	77	83	96	106	138	145	158	214	261	336	399
	CC	Pc <sub>0.20</sub>	196	202	218	230	239	243	590	865	1,186	1,342	1,432
12.5	---	Pt <sub>0.40</sub>	149	187	209	225	280	358	318	320	393	414	349
	FAN	Pf <sub>0.40</sub>	72	83	92	87	129	140	149	199	246	322	372
	CC	Pc <sub>0.20</sub>	184	201	209	191	224	236	557	809	1,123	1,286	1,339
14	---	Pt <sub>0.40</sub>	150	175	208	249	297	337	336	372	464	529	536
	FAN	Pf <sub>0.40</sub>	70	77	87	96	125	131	140	187	225	292	334
	CC	Pc <sub>0.20</sub>	180	186	197	210	217	220	524	769	1,039	1,190	1,236
16	---	Pt <sub>0.40</sub>	142	177	201	215	280	353	320	349	446	518	515
	FAN	Pf <sub>0.40</sub>	66	76	84	79	117	127	132	174	213	280	313
	CC	Pc <sub>0.20</sub>	170	185	189	173	203	214	496	717	987	1,143	1,161
18	---	Pt <sub>0.40</sub>	137	165	194	237	284	331	322	374	476	582	629
	FAN	Pf <sub>0.40</sub>	63	70	78	87	111	118	121	161	191	254	283
	CC	Pc <sub>0.20</sub>	160	171	176	190	193	200	456	665	891	1,048	1,065
20	---	Pt <sub>0.40</sub>	130	161	188	200	267	333	306	351	456	566	600
	FAN	Pf <sub>0.40</sub>	59	67	75	71	104	113	115	150	182	244	267
	CC	Pc <sub>0.20</sub>	152	164	169	155	181	190	433	622	849	1,008	1,004
22.4	---	Pt <sub>0.40</sub>	126	150	177	220	262	313	146	159	137	585	*
	FAN	Pf <sub>0.40</sub>	57	63	68	78	97	106	111	145	186	217	92
	CC	Pc <sub>0.20</sub>	145	153	155	170	169	178	404	580	809	904	841
25	---	Pt <sub>0.40</sub>	120	148	171	182	247	305	150	170	159	567	0
	FAN	Pf <sub>0.40</sub>	54	61	66	63	91	99	103	137	170	210	167
	CC	Pc <sub>0.20</sub>	137	149	149	137	159	167	377	547	748	872	854
28	---	Pt <sub>0.40</sub>	91	138	117	199	188	287	144	161	154	224	*
	FAN	Pf <sub>0.40</sub>	45	57	54	68	81	93	99	129	163	200	163
	CC	Pc <sub>0.20</sub>	116	139	124	149	140	157	360	517	718	786	817
31.5	---	Pt <sub>0.40</sub>	87	106	114	126	179	223	194	241	275	236	207
	FAN	Pf <sub>0.40</sub>	43	48	53	51	77	82	92	121	144	181	225
	CC	Pc <sub>0.20</sub>	111	118	120	112	133	138	343	497	665	717	797
35.5	---	Pt <sub>0.40</sub>	84	101	109	135	172	212	185	227	265	231	200
	FAN	Pf <sub>0.40</sub>	42	46	50	55	72	77	88	114	138	176	214
	CC	Pc <sub>0.20</sub>	107	112	113	120	125	131	328	470	639	697	761
40	---	Pt <sub>0.40</sub>	81	98	106	117	164	203	180	223	258	343	214
	FAN	Pf <sub>0.40</sub>	40	44	48	46	69	73	82	108	129	157	201
	CC	Pc <sub>0.20</sub>	102	109	109	102	119	123	308	445	594	641	720
45	---	Pt <sub>0.40</sub>	78	93	105	125	160	193	172	211	249	335	206
	FAN	Pf <sub>0.40</sub>	38	42	48	50	66	69	79	102	123	152	192
	CC	Pc <sub>0.20</sub>	98	103	109	109	115	117	295	421	571	623	688

\* Additional Cooling Necessary - Consult Factory



Nom. Ratio	Cooling Type		SK 5207/ SK 5307	SK 6207/ SK 6307	SK 7207/ SK 7307	SK 8207/ SK 8307	SK 9207/ SK 9307	SK 10207/ SK 10307	SK 11207/ SK 11307	SK 12207/ SK 12307	SK 13207/ SK 13307	SK 14207/ SK 14307	SK 15207/ SK 15307
	$i_N$		Thermal Power										
			$P_N$ [HP]	$P_N$ [HP]	$P_N$ [HP]	$P_N$ [HP]	$P_N$ [HP]	$P_N$ [HP]	$P_N$ [HP]	$P_N$ [HP]	$P_N$ [HP]	$P_N$ [HP]	$P_N$ [HP]
50	---	Pt <sub>0.40</sub>	74	91	102	112	153	189	188	238	297	318	390
	FAN	P <sub>IF.40</sub>	37	41	46	44	63	67	73	95	114	140	165
	CC	P <sub>IC.20</sub>	94	100	105	98	109	113	274	396	535	571	621
56	---	Pt <sub>0.40</sub>	79	86	107	121	171	180	181	226	286	310	374
	FAN	P <sub>IF.40</sub>	37	39	44	48	63	64	70	90	109	136	158
	CC	P <sub>IC.20</sub>	94	94	100	105	110	107	263	376	515	556	593
63	---	Pt <sub>0.40</sub>	76	92	104	113	163	198	173	219	271	351	364
	FAN	P <sub>IF.40</sub>	35	39	42	41	60	64	66	86	102	124	150
	CC	P <sub>IC.20</sub>	90	96	97	90	104	108	247	357	480	516	567
71	---	Pt <sub>0.40</sub>	73	87	99	121	154	188	166	207	261	343	349
	FAN	P <sub>IF.40</sub>	34	37	40	44	56	61	63	81	98	121	144
	CC	P <sub>IC.20</sub>	86	90	92	97	98	103	238	339	463	502	542
80	---	Pt <sub>0.40</sub>	70	84	95	104	146	178	163	209	267	320	381
	FAN	P <sub>IF.40</sub>	32	36	39	37	54	57	57	74	88	112	125
	CC	P <sub>IC.20</sub>	82	88	89	82	93	97	214	309	417	462	477
90	---	Pt <sub>0.40</sub>	67	80	95	111	142	169	157	199	258	312	366
	FAN	P <sub>IF.40</sub>	31	34	39	40	52	54	54	70	85	109	120
	CC	P <sub>IC.20</sub>	79	83	88	89	90	92	206	294	403	450	458
100	---	Pt <sub>0.40</sub>	64	77	92	100	135	165	150	192	244	310	354
	FAN	P <sub>IF.40</sub>	29	33	37	36	49	53	52	67	80	96	116
	CC	P <sub>IC.20</sub>	75	80	85	79	86	89	195	281	378	402	440
112	---	Pt <sub>0.40</sub>	62	73	85	107	133	156	144	183	236	302	340
	FAN	P <sub>IF.40</sub>	28	31	33	39	47	50	50	64	77	94	111
	CC	P <sub>IC.20</sub>	72	76	76	85	82	84	188	268	366	393	423
125	---	Pt <sub>0.40</sub>	60	72	83	89	130	153	---	---	---	283	---
	FAN	P <sub>IF.40</sub>	27	30	32	31	46	48	---	---	---	87	---
	CC	P <sub>IC.20</sub>	69	73	74	69	79	81	---	---	---	364	---
140	---	Pt <sub>0.40</sub>	57	68	82	96	123	149	---	---	---	276	---
	FAN	P <sub>IF.40</sub>	26	28	32	34	43	46	---	---	---	85	---
	CC	P <sub>IC.20</sub>	66	69	74	74	75	78	---	---	---	356	---
160	---	Pt <sub>0.40</sub>	55	66	80	86	119	142	---	---	---	---	---
	FAN	P <sub>IF.40</sub>	25	28	31	30	41	44	---	---	---	---	---
	CC	P <sub>IC.20</sub>	63	67	71	66	72	74	---	---	---	---	---
180	---	Pt <sub>0.40</sub>	43	63	64	92	114	137	---	---	---	---	---
	FAN	P <sub>IF.40</sub>	20	26	25	32	39	42	---	---	---	---	---
	CC	P <sub>IC.20</sub>	51	64	57	71	68	71	---	---	---	---	---
200	---	Pt <sub>0.40</sub>	42	50	62	68	95	130	---	---	---	---	---
	FAN	P <sub>IF.40</sub>	19	21	24	24	32	40	---	---	---	---	---
	CC	P <sub>IC.20</sub>	49	51	55	52	55	67	---	---	---	---	---
224	---	Pt <sub>0.40</sub>	41	48	60	72	91	108	---	---	---	---	---
	FAN	P <sub>IF.40</sub>	18	20	23	25	31	32	---	---	---	---	---
	CC	P <sub>IC.20</sub>	48	49	53	55	53	55	---	---	---	---	---
250	---	Pt <sub>0.40</sub>	39	47	58	63	87	104	---	---	---	---	---
	FAN	P <sub>IF.40</sub>	18	20	22	22	29	31	---	---	---	---	---
	CC	P <sub>IC.20</sub>	46	48	51	48	51	52	---	---	---	---	---
280	---	Pt <sub>0.40</sub>	38	45	58	67	84	100	---	---	---	---	---
	FAN	P <sub>IF.40</sub>	17	19	22	23	28	30	---	---	---	---	---
	CC	P <sub>IC.20</sub>	45	46	51	51	49	50	---	---	---	---	---
315	---	Pt <sub>0.40</sub>	37	44	56	61	82	96	---	---	---	---	---
	FAN	P <sub>IF.40</sub>	17	18	22	21	28	29	---	---	---	---	---
	CC	P <sub>IC.20</sub>	43	45	50	47	48	48	---	---	---	---	---
355	---	Pt <sub>0.40</sub>	---	42	---	65	79	94	---	---	---	---	---
	FAN	P <sub>IF.40</sub>	---	18	---	23	27	28	---	---	---	---	---
	CC	P <sub>IC.20</sub>	---	43	---	50	46	47	---	---	---	---	---
400	---	Pt <sub>0.40</sub>	---	---	---	---	---	90	---	---	---	---	---
	FAN	P <sub>IF.40</sub>	---	---	---	---	---	27	---	---	---	---	---
	CC	P <sub>IC.20</sub>	---	---	---	---	---	45	---	---	---	---	---
450	---	Pt <sub>0.40</sub>	---	---	---	---	---	---	---	---	---	---	---
	FAN	P <sub>IF.40</sub>	---	---	---	---	---	---	---	---	---	---	---
	CC	P <sub>IC.20</sub>	---	---	---	---	---	---	---	---	---	---	---

Thermal Ratings

# Thermal Ratings

## M1/M3 Mounting - 1500 rpm

### @ 20°C = 68°F



Nom. Ratio	Cooling Type		SK 5207/ SK 5307	SK 6207/ SK 6307	SK 7207/ SK 7307	SK 8207/ SK 8307	SK 9207/ SK 9307	SK 10207/ SK 10307	SK 11207/ SK 11307	SK 12207/ SK 12307	SK 13207/ SK 13307	SK 14207/ SK 14307	SK 15207/ SK 15307
			Thermal Power										
			P <sub>N</sub> [HP]	P <sub>N</sub> [HP]	P <sub>N</sub> [HP]	P <sub>N</sub> [HP]	P <sub>N</sub> [HP]	P <sub>N</sub> [HP]	P <sub>N</sub> [HP]	P <sub>N</sub> [HP]	P <sub>N</sub> [HP]	P <sub>N</sub> [HP]	P <sub>N</sub> [HP]
5.6	---	Pt <sub>0.20</sub>	---	---	---	---	---	---	85	*	*	---	*
	FAN	Pf <sub>20</sub>	---	---	---	---	---	---	262	74	*	---	*
	CC	Pc <sub>20</sub>	---	---	---	---	---	---	872	1,113	1,443	---	630
6.3	---	Pt <sub>0.20</sub>	---	---	---	---	---	---	105	*	*	---	*
	FAN	Pf <sub>20</sub>	---	---	---	---	---	---	240	111	60	---	*
	CC	Pc <sub>20</sub>	---	---	---	---	---	---	811	1,056	1,402	---	693
7.1	---	Pt <sub>0.20</sub>	161	---	207	---	244	---	229	45	*	*	*
	FAN	Pf <sub>20</sub>	92	---	118	---	173	---	210	332	394	185	*
	CC	Pc <sub>20</sub>	233	---	265	---	297	---	755	1,180	1,583	1,551	1,335
8	---	Pt <sub>0.20</sub>	154	196	202	223	236	320	229	68	17	*	*
	FAN	Pf <sub>20</sub>	86	98	113	106	160	173	196	299	385	231	*
	CC	Pc <sub>20</sub>	219	239	253	231	276	291	708	1,082	1,503	1,524	1,302
9	---	Pt <sub>0.20</sub>	161	184	217	249	282	306	302	242	282	128	*
	FAN	Pf <sub>20</sub>	83	91	106	117	154	161	183	254	302	433	427
	CC	Pc <sub>20</sub>	212	221	240	253	266	270	672	999	1,333	1,580	1,637
10	---	Pt <sub>0.20</sub>	153	193	211	229	269	350	292	236	285	157	*
	FAN	Pf <sub>20</sub>	78	89	102	96	143	155	171	233	284	409	440
	CC	Pc <sub>20</sub>	200	217	230	210	247	261	632	924	1,259	1,513	1,576
11.2	---	Pt <sub>0.20</sub>	157	181	216	254	297	331	333	336	404	415	348
	FAN	Pf <sub>20</sub>	77	83	96	106	138	145	158	214	261	336	399
	CC	Pc <sub>20</sub>	196	202	218	230	239	243	590	865	1,186	1,342	1,432
12.5	---	Pt <sub>0.20</sub>	149	187	209	225	280	358	318	320	393	414	349
	FAN	Pf <sub>20</sub>	72	83	92	87	129	140	149	199	246	322	372
	CC	Pc <sub>20</sub>	184	201	209	191	224	236	557	809	1,123	1,286	1,339
14	---	Pt <sub>0.20</sub>	150	175	208	249	297	337	336	372	464	529	536
	FAN	Pf <sub>20</sub>	70	77	87	96	125	131	140	187	225	292	334
	CC	Pc <sub>20</sub>	180	186	197	210	217	220	524	769	1,039	1,190	1,236
16	---	Pt <sub>0.20</sub>	142	177	201	215	280	353	320	349	446	518	515
	FAN	Pf <sub>20</sub>	66	76	84	79	117	127	132	174	213	280	313
	CC	Pc <sub>20</sub>	170	185	189	173	203	214	496	717	987	1,143	1,161
18	---	Pt <sub>0.20</sub>	137	165	194	237	284	331	322	374	476	582	629
	FAN	Pf <sub>20</sub>	63	70	78	87	111	118	121	161	191	254	283
	CC	Pc <sub>20</sub>	160	171	176	190	193	200	456	665	891	1,048	1,065
20	---	Pt <sub>0.20</sub>	130	161	188	200	267	333	306	351	456	566	600
	FAN	Pf <sub>20</sub>	59	67	75	71	104	113	115	150	182	244	267
	CC	Pc <sub>20</sub>	152	164	169	155	181	190	433	622	849	1,008	1,004
22.4	---	Pt <sub>0.20</sub>	126	150	177	220	262	313	146	159	137	585	*
	FAN	Pf <sub>20</sub>	57	63	68	78	97	106	111	145	186	217	92
	CC	Pc <sub>20</sub>	145	153	155	170	169	178	404	580	809	904	841
25	---	Pt <sub>0.20</sub>	120	148	171	182	247	305	150	170	159	567	*
	FAN	Pf <sub>20</sub>	54	61	66	63	91	99	103	137	170	210	167
	CC	Pc <sub>20</sub>	137	149	149	137	159	167	377	547	748	872	854
28	---	Pt <sub>0.20</sub>	91	138	117	199	188	287	144	161	154	224	*
	FAN	Pf <sub>20</sub>	45	57	54	68	81	93	99	129	163	200	163
	CC	Pc <sub>20</sub>	116	139	124	149	140	157	360	517	718	786	817
31.5	---	Pt <sub>0.20</sub>	87	106	114	126	179	223	194	241	275	236	207
	FAN	Pf <sub>20</sub>	43	48	53	51	77	82	92	121	144	181	225
	CC	Pc <sub>20</sub>	111	118	120	112	133	138	343	497	665	717	797
35.5	---	Pt <sub>0.20</sub>	84	101	109	135	172	212	185	227	265	231	200
	FAN	Pf <sub>20</sub>	42	46	50	55	72	77	88	114	138	176	214
	CC	Pc <sub>20</sub>	107	112	113	120	125	131	328	470	639	697	761
40	---	Pt <sub>0.20</sub>	81	98	106	117	164	203	180	223	258	343	214
	FAN	Pf <sub>20</sub>	40	44	48	46	69	73	82	108	129	157	201
	CC	Pc <sub>20</sub>	102	109	109	102	119	123	308	445	594	641	720
45	---	Pt <sub>0.20</sub>	78	93	105	125	160	193	172	211	249	335	206
	FAN	Pf <sub>20</sub>	38	42	48	50	66	69	79	102	123	152	192
	CC	Pc <sub>20</sub>	98	103	109	109	115	117	295	421	571	623	688

\* Additional Cooling Necessary - Consult Factory



Nom. Ratio	Cooling Type		SK 5207/ SK 5307	SK 6207/ SK 6307	SK 7207/ SK 7307	SK 8207/ SK 8307	SK 9207/ SK 9307	SK 10207/ SK 10307	SK 11207/ SK 11307	SK 12207/ SK 12307	SK 13207/ SK 13307	SK 14207/ SK 14307	SK 15207/ SK 15307
			Thermal Power										
			$P_N$ [HP]	$P_N$ [HP]	$P_N$ [HP]	$P_N$ [HP]	$P_N$ [HP]	$P_N$ [HP]	$P_N$ [HP]	$P_N$ [HP]	$P_N$ [HP]	$P_N$ [HP]	$P_N$ [HP]
$i_N$													
50	---	Pt <sub>0,20</sub>	74	91	102	112	153	189	188	238	297	318	390
	FAN	P <sub>IF,20</sub>	37	41	46	44	63	67	73	95	114	140	165
	CC	P <sub>IC,20</sub>	94	100	105	98	109	113	274	396	535	571	621
56	---	Pt <sub>0,20</sub>	79	86	107	121	171	180	181	226	286	310	374
	FAN	P <sub>IF,20</sub>	37	39	44	48	63	64	70	90	109	136	158
	CC	P <sub>IC,20</sub>	94	94	100	105	110	107	263	376	515	556	593
63	---	Pt <sub>0,20</sub>	76	92	104	113	163	198	173	219	271	351	364
	FAN	P <sub>IF,20</sub>	35	39	42	41	60	64	66	86	102	124	150
	CC	P <sub>IC,20</sub>	90	96	97	90	104	108	247	357	480	516	567
71	---	Pt <sub>0,20</sub>	73	87	99	121	154	188	166	207	261	343	349
	FAN	P <sub>IF,20</sub>	34	37	40	44	56	61	63	81	98	121	144
	CC	P <sub>IC,20</sub>	86	90	92	97	98	103	238	339	463	502	542
80	---	Pt <sub>0,20</sub>	70	84	95	104	146	178	163	209	267	320	381
	FAN	P <sub>IF,20</sub>	32	36	39	37	54	57	57	74	88	112	125
	CC	P <sub>IC,20</sub>	82	88	89	82	93	97	214	309	417	462	477
90	---	Pt <sub>0,20</sub>	67	80	95	111	142	169	157	199	258	312	366
	FAN	P <sub>IF,20</sub>	31	34	39	40	52	54	54	70	85	109	120
	CC	P <sub>IC,20</sub>	79	83	88	89	90	92	206	294	403	450	458
100	---	Pt <sub>0,20</sub>	64	77	92	100	135	165	150	192	244	310	354
	FAN	P <sub>IF,20</sub>	29	33	37	36	49	53	52	67	80	96	116
	CC	P <sub>IC,20</sub>	75	80	85	79	86	89	195	281	378	402	440
112	---	Pt <sub>0,20</sub>	62	73	85	107	133	156	144	183	236	302	340
	FAN	P <sub>IF,20</sub>	28	31	33	39	47	50	50	64	77	94	111
	CC	P <sub>IC,20</sub>	72	76	76	85	82	84	188	268	366	393	423
125	---	Pt <sub>0,20</sub>	60	72	83	89	130	153	---	---	---	283	---
	FAN	P <sub>IF,20</sub>	27	30	32	31	46	48	---	---	---	87	---
	CC	P <sub>IC,20</sub>	69	73	74	69	79	81	---	---	---	364	---
140	---	Pt <sub>0,20</sub>	57	68	82	96	123	149	---	---	---	276	---
	FAN	P <sub>IF,20</sub>	26	28	32	34	43	46	---	---	---	85	---
	CC	P <sub>IC,20</sub>	66	69	74	74	75	78	---	---	---	356	---
160	---	Pt <sub>0,20</sub>	55	66	80	86	119	142	---	---	---	---	---
	FAN	P <sub>IF,20</sub>	25	28	31	30	41	44	---	---	---	---	---
	CC	P <sub>IC,20</sub>	63	67	71	66	72	74	---	---	---	---	---
180	---	Pt <sub>0,20</sub>	43	63	64	92	114	137	---	---	---	---	---
	FAN	P <sub>IF,20</sub>	20	26	25	32	39	42	---	---	---	---	---
	CC	P <sub>IC,20</sub>	51	64	57	71	68	71	---	---	---	---	---
200	---	Pt <sub>0,20</sub>	42	50	62	68	95	130	---	---	---	---	---
	FAN	P <sub>IF,20</sub>	19	21	24	24	32	40	---	---	---	---	---
	CC	P <sub>IC,20</sub>	49	51	55	52	55	67	---	---	---	---	---
224	---	Pt <sub>0,20</sub>	41	48	60	72	91	108	---	---	---	---	---
	FAN	P <sub>IF,20</sub>	18	20	23	25	31	32	---	---	---	---	---
	CC	P <sub>IC,20</sub>	48	49	53	55	53	55	---	---	---	---	---
250	---	Pt <sub>0,20</sub>	39	47	58	63	87	104	---	---	---	---	---
	FAN	P <sub>IF,20</sub>	18	20	22	22	29	31	---	---	---	---	---
	CC	P <sub>IC,20</sub>	46	48	51	48	51	52	---	---	---	---	---
280	---	Pt <sub>0,20</sub>	38	45	58	67	84	100	---	---	---	---	---
	FAN	P <sub>IF,20</sub>	17	19	22	23	28	30	---	---	---	---	---
	CC	P <sub>IC,20</sub>	45	46	51	51	49	50	---	---	---	---	---
315	---	Pt <sub>0,20</sub>	37	44	56	61	82	96	---	---	---	---	---
	FAN	P <sub>IF,20</sub>	17	18	22	21	28	29	---	---	---	---	---
	CC	P <sub>IC,20</sub>	43	45	50	47	48	48	---	---	---	---	---
355	---	Pt <sub>0,20</sub>	---	42	---	65	79	94	---	---	---	---	---
	FAN	P <sub>IF,20</sub>	---	18	---	23	27	28	---	---	---	---	---
	CC	P <sub>IC,20</sub>	---	43	---	50	46	47	---	---	---	---	---
400	---	Pt <sub>0,20</sub>	---	---	---	---	---	90	---	---	---	---	---
	FAN	P <sub>IF,20</sub>	---	---	---	---	---	27	---	---	---	---	---
	CC	P <sub>IC,20</sub>	---	---	---	---	---	45	---	---	---	---	---
450	---	Pt <sub>0,20</sub>	---	---	---	---	---	---	---	---	---	---	---
	FAN	P <sub>IF,20</sub>	---	---	---	---	---	---	---	---	---	---	---
	CC	P <sub>IC,20</sub>	---	---	---	---	---	---	---	---	---	---	---

Thermal Ratings

# Thermal Ratings

## M1/M3 Mounting - 1500 rpm

### @ 40°C = 104°F



Nom. Ratio	Cooling Type		SK 5207/ SK 5307	SK 6207/ SK 6307	SK 7207/ SK 7307	SK 8207/ SK 8307	SK 9207/ SK 9307	SK 10207/ SK 10307	SK 11207/ SK 11307	SK 12207/ SK 12307	SK 13207/ SK 13307	SK 14207/ SK 14307	SK 15207/ SK 15307	
			Thermal Power											
			P <sub>N</sub> [HP]	P <sub>N</sub> [HP]	P <sub>N</sub> [HP]	P <sub>N</sub> [HP]	P <sub>N</sub> [HP]	P <sub>N</sub> [HP]	P <sub>N</sub> [HP]	P <sub>N</sub> [HP]	P <sub>N</sub> [HP]	P <sub>N</sub> [HP]	P <sub>N</sub> [HP]	P <sub>N</sub> [HP]
5.6	---	P <sub>t0.40</sub>	---	---	---	---	---	---	*	*	*	---	*	
	FAN	P <sub>f0.40</sub>	---	---	---	---	---	---	*	*	*	---	*	
	CC	P <sub>c0.20</sub>	---	---	---	---	---	---	760	665	853	---	*	
6.3	---	P <sub>t0.40</sub>	---	---	---	---	---	---	*	*	*	---	*	
	FAN	P <sub>f0.40</sub>	---	---	---	---	---	---	18	*	*	---	*	
	CC	P <sub>c0.20</sub>	---	---	---	---	---	---	742	662	875	---	*	
7.1	---	P <sub>t0.40</sub>	142	---	156	---	106	---	*	*	*	*	*	
	FAN	P <sub>f0.40</sub>	100	---	133	---	209	---	236	*	*	*	*	
	CC	P <sub>c0.20</sub>	253	---	295	---	350	---	870	979	1,236	899	175	
8	---	P <sub>t0.40</sub>	137	180	156	184	115	197	*	*	*	*	*	
	FAN	P <sub>f0.40</sub>	94	107	127	119	191	201	243	*	*	*	*	
	CC	P <sub>c0.20</sub>	238	259	282	255	322	333	835	930	1,208	924	285	
9	---	P <sub>t0.40</sub>	152	171	188	207	205	199	141	*	*	*	*	
	FAN	P <sub>f0.40</sub>	90	99	118	130	174	186	223	228	203	*	*	
	CC	P <sub>c0.20</sub>	229	240	264	280	298	308	775	1,101	1,425	1,328	1,006	
10	---	P <sub>t0.40</sub>	145	187	185	208	200	281	147	*	*	*	*	
	FAN	P <sub>f0.40</sub>	85	97	113	106	162	174	208	230	224	*	*	
	CC	P <sub>c0.20</sub>	215	234	253	230	278	291	727	1,035	1,372	1,317	1,003	
11.2	---	P <sub>t0.40</sub>	154	176	202	231	252	270	243	131	87	*	*	
	FAN	P <sub>f0.40</sub>	83	90	105	116	154	162	182	267	346	380	164	
	CC	P <sub>c0.20</sub>	210	217	238	252	264	271	660	1,003	1,400	1,549	1,431	
12.5	---	P <sub>t0.40</sub>	147	186	196	215	241	319	236	135	106	*	*	
	FAN	P <sub>f0.40</sub>	78	89	101	95	143	155	171	246	321	390	197	
	CC	P <sub>c0.20</sub>	198	216	228	208	247	260	623	935	1,317	1,508	1,372	
14	---	P <sub>t0.40</sub>	149	175	202	239	274	303	281	249	289	238	105	
	FAN	P <sub>f0.40</sub>	76	82	95	105	137	144	157	218	264	357	442	
	CC	P <sub>c0.20</sub>	193	200	214	228	237	242	580	866	1,173	1,371	1,473	
16	---	P <sub>t0.40</sub>	142	179	196	212	260	335	270	238	285	246	126	
	FAN	P <sub>f0.40</sub>	71	81	91	86	128	139	149	202	249	341	409	
	CC	P <sub>c0.20</sub>	182	198	205	187	222	233	549	805	1,112	1,314	1,375	
18	---	P <sub>t0.40</sub>	139	167	194	234	275	316	292	304	379	416	411	
	FAN	P <sub>f0.40</sub>	67	76	84	94	121	129	135	182	216	292	328	
	CC	P <sub>c0.20</sub>	172	184	190	205	209	218	501	738	988	1,172	1,198	
20	---	P <sub>t0.40</sub>	132	164	188	202	259	328	279	286	366	409	399	
	FAN	P <sub>f0.40</sub>	64	72	81	77	113	122	128	170	206	280	309	
	CC	P <sub>c0.20</sub>	162	176	183	168	196	206	476	690	942	1,127	1,128	
22.4	---	P <sub>t0.40</sub>	129	154	180	222	262	309	12	*	*	496	*	
	FAN	P <sub>f0.40</sub>	61	67	74	84	105	115	152	162	53	243	*	
	CC	P <sub>c0.20</sub>	155	164	167	183	182	193	488	665	815	997	385	
25	---	P <sub>t0.40</sub>	123	152	174	187	247	308	40	0	0	484	*	
	FAN	P <sub>f0.40</sub>	57	65	71	68	99	107	134	183	111	234	*	
	CC	P <sub>c0.20</sub>	147	159	161	148	172	180	446	655	798	961	464	
28	---	P <sub>t0.40</sub>	88	143	108	204	170	290	40	*	*	*	*	
	FAN	P <sub>f0.40</sub>	49	61	59	74	89	100	128	174	109	186	*	
	CC	P <sub>c0.20</sub>	125	148	134	161	154	169	426	620	769	880	448	
31.5	---	P <sub>t0.40</sub>	84	104	105	119	162	208	142	161	145	*	*	
	FAN	P <sub>f0.40</sub>	47	52	57	55	84	90	105	140	173	221	114	
	CC	P <sub>c0.20</sub>	119	127	130	121	146	151	384	559	757	847	821	
35.5	---	P <sub>t0.40</sub>	81	99	101	128	158	198	136	153	141	*	*	
	FAN	P <sub>f0.40</sub>	45	49	54	59	79	85	101	132	166	217	113	
	CC	P <sub>c0.20</sub>	115	120	122	129	137	143	367	527	727	826	786	
40	---	P <sub>t0.40</sub>	78	97	98	111	150	192	136	157	150	225	0	
	FAN	P <sub>f0.40</sub>	43	48	52	50	75	80	94	125	153	184	153	
	CC	P <sub>c0.20</sub>	110	117	118	110	130	134	344	499	674	725	779	
45	---	P <sub>t0.40</sub>	75	92	98	119	148	183	131	148	145	221	*	
	FAN	P <sub>f0.40</sub>	41	45	52	54	73	76	90	118	146	178	148	
	CC	P <sub>c0.20</sub>	105	110	117	118	126	128	329	472	648	705	746	

\* Additional Cooling Necessary - Consult Factory



Nom. Ratio	Cooling Type		SK 5207/ SK 5307	SK 6207/ SK 6307	SK 7207/ SK 7307	SK 8207/ SK 8307	SK 9207/ SK 9307	SK 10207/ SK 10307	SK 11207/ SK 11307	SK 12207/ SK 12307	SK 13207/ SK 13307	SK 14207/ SK 14307	SK 15207/ SK 15307
			Thermal Power										
$i_N$			$P_N$ [HP]	$P_N$ [HP]	$P_N$ [HP]	$P_N$ [HP]	$P_N$ [HP]	$P_N$ [HP]	$P_N$ [HP]	$P_N$ [HP]	$P_N$ [HP]	$P_N$ [HP]	$P_N$ [HP]
50	---	Pt <sub>0.40</sub>	73	89	96	108	142	180	168	206	245	220	274
	FAN	P <sub>IF.40</sub>	39	44	50	48	69	73	81	106	128	162	190
	CC	P <sub>IC.20</sub>	101	107	113	105	120	123	301	436	591	645	696
56	---	Pt <sub>0.40</sub>	80	85	107	116	171	171	161	195	236	215	263
	FAN	P <sub>IF.40</sub>	39	42	47	52	69	70	77	100	123	158	181
	CC	P <sub>IC.20</sub>	101	101	108	113	119	117	289	413	569	627	665
63	---	Pt <sub>0.40</sub>	77	94	104	114	162	200	156	191	228	307	264
	FAN	P <sub>IF.40</sub>	38	42	46	44	65	69	73	96	115	139	172
	CC	P <sub>IC.20</sub>	96	102	104	97	113	117	272	393	530	569	634
71	---	Pt <sub>0.40</sub>	74	89	99	123	154	190	149	181	219	299	253
	FAN	P <sub>IF.40</sub>	36	40	43	47	61	66	70	91	111	136	164
	CC	P <sub>IC.20</sub>	92	97	98	104	106	111	261	373	511	554	606
80	---	Pt <sub>0.40</sub>	71	86	96	105	146	180	157	198	249	282	345
	FAN	P <sub>IF.40</sub>	34	38	42	40	58	62	62	81	97	125	139
	CC	P <sub>IC.20</sub>	88	94	95	89	101	104	233	337	455	510	522
90	---	Pt <sub>0.40</sub>	68	81	95	113	143	171	151	188	241	275	332
	FAN	P <sub>IF.40</sub>	33	36	41	43	56	59	60	77	94	121	133
	CC	P <sub>IC.20</sub>	85	89	95	95	98	99	225	321	440	497	502
100	---	Pt <sub>0.40</sub>	65	79	92	101	136	167	144	182	229	297	322
	FAN	P <sub>IF.40</sub>	32	35	40	39	54	57	57	74	88	106	128
	CC	P <sub>IC.20</sub>	81	86	91	85	93	96	212	307	413	439	481
112	---	Pt <sub>0.40</sub>	64	75	87	108	136	159	139	174	221	290	310
	FAN	P <sub>IF.40</sub>	30	33	36	42	51	54	54	70	85	103	122
	CC	P <sub>IC.20</sub>	77	81	82	91	88	91	205	292	399	428	462
125	---	Pt <sub>0.40</sub>	61	74	84	92	132	158	---	---	---	272	---
	FAN	P <sub>IF.40</sub>	29	32	35	34	49	52	---	---	---	96	---
	CC	P <sub>IC.20</sub>	74	78	79	74	86	87	---	---	---	397	---
140	---	Pt <sub>0.40</sub>	59	70	84	99	126	153	---	---	---	266	---
	FAN	P <sub>IF.40</sub>	28	30	35	36	47	50	---	---	---	94	---
	CC	P <sub>IC.20</sub>	71	74	79	79	82	84	---	---	---	388	---
160	---	Pt <sub>0.40</sub>	57	68	81	89	123	146	---	---	---	---	---
	FAN	P <sub>IF.40</sub>	26	29	33	32	45	47	---	---	---	---	---
	CC	P <sub>IC.20</sub>	68	72	76	71	77	80	---	---	---	---	---
180	---	Pt <sub>0.40</sub>	44	65	66	95	117	142	---	---	---	---	---
	FAN	P <sub>IF.40</sub>	21	28	26	35	42	45	---	---	---	---	---
	CC	P <sub>IC.20</sub>	54	68	61	76	74	76	---	---	---	---	---
200	---	Pt <sub>0.40</sub>	43	51	64	70	99	135	---	---	---	---	---
	FAN	P <sub>IF.40</sub>	20	22	26	25	34	43	---	---	---	---	---
	CC	P <sub>IC.20</sub>	52	54	59	55	60	72	---	---	---	---	---
224	---	Pt <sub>0.40</sub>	42	49	62	75	95	113	---	---	---	---	---
	FAN	P <sub>IF.40</sub>	20	21	25	27	33	35	---	---	---	---	---
	CC	P <sub>IC.20</sub>	50	52	56	59	57	59	---	---	---	---	---
250	---	Pt <sub>0.40</sub>	40	48	60	66	91	109	---	---	---	---	---
	FAN	P <sub>IF.40</sub>	19	21	24	23	32	33	---	---	---	---	---
	CC	P <sub>IC.20</sub>	49	51	55	51	55	56	---	---	---	---	---
280	---	Pt <sub>0.40</sub>	39	46	60	70	87	104	---	---	---	---	---
	FAN	P <sub>IF.40</sub>	18	20	24	25	30	32	---	---	---	---	---
	CC	P <sub>IC.20</sub>	47	49	55	55	53	54	---	---	---	---	---
315	---	Pt <sub>0.40</sub>	38	45	58	63	86	100	---	---	---	---	---
	FAN	P <sub>IF.40</sub>	18	20	23	23	30	31	---	---	---	---	---
	CC	P <sub>IC.20</sub>	46	48	53	50	52	52	---	---	---	---	---
355	---	Pt <sub>0.40</sub>	---	43	---	67	82	98	---	---	---	---	---
	FAN	P <sub>IF.40</sub>	---	19	---	24	29	30	---	---	---	---	---
	CC	P <sub>IC.20</sub>	---	46	---	53	50	51	---	---	---	---	---
400	---	Pt <sub>0.40</sub>	---	---	---	---	---	94	---	---	---	---	---
	FAN	P <sub>IF.40</sub>	---	---	---	---	---	29	---	---	---	---	---
	CC	P <sub>IC.20</sub>	---	---	---	---	---	49	---	---	---	---	---
450	---	Pt <sub>0.40</sub>	---	---	---	---	---	---	---	---	---	---	---
	FAN	P <sub>IF.40</sub>	---	---	---	---	---	---	---	---	---	---	---
	CC	P <sub>IC.20</sub>	---	---	---	---	---	---	---	---	---	---	---

# Thermal Ratings

## M1/M3 Mounting - 1800 rpm

### @ 20°C = 68°F



Nom. Ratio	Cooling Type		SK 5207/ SK 5307	SK 6207/ SK 6307	SK 7207/ SK 7307	SK 8207/ SK 8307	SK 9207/ SK 9307	SK 10207/ SK 10307	SK 11207/ SK 11307	SK 12207/ SK 12307	SK 13207/ SK 13307	SK 14207/ SK 14307	SK 15207/ SK 15307
			Thermal Power										
			P <sub>N</sub> [HP]	P <sub>N</sub> [HP]	P <sub>N</sub> [HP]	P <sub>N</sub> [HP]	P <sub>N</sub> [HP]	P <sub>N</sub> [HP]	P <sub>N</sub> [HP]	P <sub>N</sub> [HP]	P <sub>N</sub> [HP]	P <sub>N</sub> [HP]	P <sub>N</sub> [HP]
5.6	---	P <sub>t0.20</sub>	---	---	---	---	---	---	*	*	*	---	*
	FAN	P <sub>f.20</sub>	---	---	---	---	---	---	*	*	*	---	*
	CC	P <sub>c.20</sub>	---	---	---	---	---	---	573	60	48	---	*
6.3	---	P <sub>t0.20</sub>	---	---	---	---	---	---	*	*	*	---	*
	FAN	P <sub>f.20</sub>	---	---	---	---	---	---	*	*	*	---	*
	CC	P <sub>c.20</sub>	---	---	---	---	---	---	581	156	194	---	*
7.1	---	P <sub>t0.20</sub>	155	---	148	---	9	---	*	*	*	*	*
	FAN	P <sub>f.20</sub>	123	---	165	---	284	---	93	*	*	*	*
	CC	P <sub>c.20</sub>	265	---	314	---	405	---	791	735	880	25	*
8	---	P <sub>t0.20</sub>	151	203	152	190	34	142	*	*	*	*	*
	FAN	P <sub>f.20</sub>	116	130	157	144	258	255	125	*	*	*	*
	CC	P <sub>c.20</sub>	250	270	300	270	370	367	769	719	894	155	*
9	---	P <sub>t0.20</sub>	174	194	204	216	187	156	32	*	*	*	*
	FAN	P <sub>f.20</sub>	110	121	144	158	216	233	303	9	*	*	*
	CC	P <sub>c.20</sub>	239	250	278	296	320	337	872	997	1,276	957	255
10	---	P <sub>t0.20</sub>	167	218	201	232	187	285	54	*	*	*	*
	FAN	P <sub>f.20</sub>	104	117	137	128	200	211	279	47	*	*	*
	CC	P <sub>c.20</sub>	225	244	266	241	297	309	812	946	1,242	978	349
11.2	---	P <sub>t0.20</sub>	180	206	229	259	268	278	226	*	*	*	*
	FAN	P <sub>f.20</sub>	101	109	128	140	187	196	223	350	323	98	*
	CC	P <sub>c.20</sub>	219	226	248	264	279	287	708	1,118	1,443	1,405	1,131
12.5	---	P <sub>t0.20</sub>	172	221	224	249	258	354	223	1	*	*	*
	FAN	P <sub>f.20</sub>	95	107	122	114	174	185	210	341	333	141	*
	CC	P <sub>c.20</sub>	206	224	238	217	260	272	667	1,057	1,388	1,380	1,106
14	---	P <sub>t0.20</sub>	177	207	236	277	309	337	298	209	216	34	*
	FAN	P <sub>f.20</sub>	92	100	114	125	165	172	190	271	330	488	377
	CC	P <sub>c.20</sub>	200	208	222	237	248	254	614	934	1,272	1,547	1,471
16	---	P <sub>t0.20</sub>	169	214	229	251	294	386	288	204	223	63	*
	FAN	P <sub>f.20</sub>	87	98	110	103	154	165	179	250	310	460	387
	CC	P <sub>c.20</sub>	189	205	214	195	232	243	581	868	1,204	1,475	1,409
18	---	P <sub>t0.20</sub>	166	200	230	277	320	365	328	315	389	379	333
	FAN	P <sub>f.20</sub>	81	91	101	112	145	154	161	220	260	355	403
	CC	P <sub>c.20</sub>	178	191	197	213	218	227	526	783	1,050	1,257	1,294
20	---	P <sub>t0.20</sub>	158	198	223	242	303	387	314	299	378	379	332
	FAN	P <sub>f.20</sub>	77	87	97	91	136	145	152	205	247	340	378
	CC	P <sub>c.20</sub>	168	182	190	174	204	214	500	732	1,000	1,208	1,217
22.4	---	P <sub>t0.20</sub>	156	186	216	266	310	365	*	*	*	533	*
	FAN	P <sub>f.20</sub>	73	81	88	100	126	136	116	61	0	289	*
	CC	P <sub>c.20</sub>	161	170	173	190	189	201	471	614	701	1,053	*
25	---	P <sub>t0.20</sub>	148	184	209	225	294	369	0	0	0	522	*
	FAN	P <sub>f.20</sub>	70	78	85	81	118	126	142	110	0	278	*
	CC	P <sub>c.20</sub>	152	164	167	153	178	186	467	618	712	1,015	*
28	---	P <sub>t0.20</sub>	102	173	122	246	189	348	*	*	*	*	*
	FAN	P <sub>f.20</sub>	60	73	72	88	108	118	137	107	*	*	*
	CC	P <sub>c.20</sub>	130	153	140	167	161	175	449	585	686	781	*
31.5	---	P <sub>t0.20</sub>	98	122	119	138	180	237	132	134	69	0	*
	FAN	P <sub>f.20</sub>	57	63	69	66	102	107	129	174	226	79	*
	CC	P <sub>c.20</sub>	125	132	136	126	153	158	411	603	837	776	664
35.5	---	P <sub>t0.20</sub>	95	116	115	148	177	226	127	128	69	*	*
	FAN	P <sub>f.20</sub>	55	60	65	71	96	101	124	164	216	81	*
	CC	P <sub>c.20</sub>	119	125	128	135	144	149	393	569	802	758	639
40	---	P <sub>t0.20</sub>	91	114	112	129	169	221	132	139	96	181	*
	FAN	P <sub>f.20</sub>	52	58	63	60	91	95	115	154	194	227	*
	CC	P <sub>c.20</sub>	114	121	123	115	137	140	367	537	737	787	655
45	---	P <sub>t0.20</sub>	88	108	112	138	168	210	127	132	94	179	*
	FAN	P <sub>f.20</sub>	50	55	62	64	88	90	110	146	186	221	*
	CC	P <sub>c.20</sub>	110	115	122	123	132	133	352	508	708	765	628

\* Additional Cooling Necessary - Consult Factory





Nom. Ratio	Cooling Type		SK 5207/ SK 5307	SK 6207/ SK 6307	SK 7207/ SK 7307	SK 8207/ SK 8307	SK 9207/ SK 9307	SK 10207/ SK 10307	SK 11207/ SK 11307	SK 12207/ SK 12307	SK 13207/ SK 13307	SK 14207/ SK 14307	SK 15207/ SK 15307
			Thermal Power										
$i_N$			$P_N$ [HP]	$P_N$ [HP]	$P_N$ [HP]	$P_N$ [HP]	$P_N$ [HP]	$P_N$ [HP]	$P_N$ [HP]	$P_N$ [HP]	$P_N$ [HP]	$P_N$ [HP]	$P_N$ [HP]
50	---	Pt <sub>0,20</sub>	85	105	109	125	160	207	187	224	258	191	242
	FAN	P <sub>f,20</sub>	48	53	60	58	84	87	97	127	153	200	231
	CC	P <sub>t,20</sub>	105	111	118	110	125	129	317	460	626	696	748
56	---	Pt <sub>0,20</sub>	96	100	127	134	202	197	180	212	249	187	234
	FAN	P <sub>f,20</sub>	48	50	57	62	82	83	93	120	147	194	220
	CC	P <sub>t,20</sub>	104	105	112	118	124	122	304	436	602	677	715
63	---	Pt <sub>0,20</sub>	92	113	124	137	192	239	174	209	242	335	242
	FAN	P <sub>f,20</sub>	46	51	55	53	78	82	87	115	137	165	208
	CC	P <sub>t,20</sub>	100	106	108	100	117	121	286	415	561	601	679
71	---	Pt <sub>0,20</sub>	88	107	117	147	183	227	167	198	233	327	233
	FAN	P <sub>f,20</sub>	44	48	52	56	73	78	84	109	132	161	199
	CC	P <sub>t,20</sub>	96	100	102	108	110	115	274	394	541	585	649
80	---	Pt <sub>0,20</sub>	84	103	114	126	174	216	183	229	286	311	388
	FAN	P <sub>f,20</sub>	42	46	50	48	70	73	73	96	114	148	163
	CC	P <sub>t,20</sub>	91	97	99	92	105	108	244	352	477	538	548
90	---	Pt <sub>0,20</sub>	81	98	113	135	169	205	176	218	277	303	373
	FAN	P <sub>f,20</sub>	40	44	50	52	67	70	71	91	110	144	156
	CC	P <sub>t,20</sub>	88	92	98	98	101	103	235	336	461	524	526
100	---	Pt <sub>0,20</sub>	78	95	110	121	161	200	169	211	264	346	364
	FAN	P <sub>f,20</sub>	38	43	48	46	64	67	67	87	103	124	150
	CC	P <sub>t,20</sub>	84	89	95	88	96	99	222	321	432	459	505
112	---	Pt <sub>0,20</sub>	77	90	105	130	163	190	163	201	255	338	349
	FAN	P <sub>f,20</sub>	36	40	43	49	61	64	64	83	100	121	144
	CC	P <sub>t,20</sub>	80	84	85	95	92	94	214	306	418	448	485
125	---	Pt <sub>0,20</sub>	74	89	102	112	159	190	---	---	---	317	---
	FAN	P <sub>f,20</sub>	35	39	42	40	59	61	---	---	---	112	---
	CC	P <sub>t,20</sub>	76	81	82	76	89	90	---	---	---	415	---
140	---	Pt <sub>0,20</sub>	71	85	101	119	151	185	---	---	---	310	---
	FAN	P <sub>f,20</sub>	33	37	41	43	56	59	---	---	---	110	---
	CC	P <sub>t,20</sub>	73	77	82	82	84	87	---	---	---	406	---
160	---	Pt <sub>0,20</sub>	68	83	98	107	148	176	---	---	---	---	---
	FAN	P <sub>f,20</sub>	32	36	40	38	53	56	---	---	---	---	---
	CC	P <sub>t,20</sub>	70	75	79	73	80	83	---	---	---	---	---
180	---	Pt <sub>0,20</sub>	53	78	80	115	141	172	---	---	---	---	---
	FAN	P <sub>f,20</sub>	25	34	32	41	51	53	---	---	---	---	---
	CC	P <sub>t,20</sub>	55	71	63	79	76	78	---	---	---	---	---
200	---	Pt <sub>0,20</sub>	52	62	78	86	120	164	---	---	---	---	---
	FAN	P <sub>f,20</sub>	24	27	31	30	41	51	---	---	---	---	---
	CC	P <sub>t,20</sub>	54	56	61	57	62	75	---	---	---	---	---
224	---	Pt <sub>0,20</sub>	50	59	75	91	115	138	---	---	---	---	---
	FAN	P <sub>f,20</sub>	24	26	29	32	39	41	---	---	---	---	---
	CC	P <sub>t,20</sub>	52	54	58	61	59	60	---	---	---	---	---
250	---	Pt <sub>0,20</sub>	49	58	73	80	110	132	---	---	---	---	---
	FAN	P <sub>f,20</sub>	23	25	29	28	38	39	---	---	---	---	---
	CC	P <sub>t,20</sub>	50	53	57	53	57	58	---	---	---	---	---
280	---	Pt <sub>0,20</sub>	47	56	72	85	106	127	---	---	---	---	---
	FAN	P <sub>f,20</sub>	22	24	29	29	36	38	---	---	---	---	---
	CC	P <sub>t,20</sub>	49	50	56	56	55	56	---	---	---	---	---
315	---	Pt <sub>0,20</sub>	46	54	70	77	104	122	---	---	---	---	---
	FAN	P <sub>f,20</sub>	21	23	28	27	35	36	---	---	---	---	---
	CC	P <sub>t,20</sub>	47	49	55	51	53	54	---	---	---	---	---
355	---	Pt <sub>0,20</sub>	---	52	---	82	100	120	---	---	---	---	---
	FAN	P <sub>f,20</sub>	---	22	---	29	34	35	---	---	---	---	---
	CC	P <sub>t,20</sub>	---	47	---	55	51	52	---	---	---	---	---
400	---	Pt <sub>0,20</sub>	---	---	---	---	---	115	---	---	---	---	---
	FAN	P <sub>f,20</sub>	---	---	---	---	---	34	---	---	---	---	---
	CC	P <sub>t,20</sub>	---	---	---	---	---	50	---	---	---	---	---
450	---	Pt <sub>0,20</sub>	---	---	---	---	---	---	---	---	---	---	---
	FAN	P <sub>f,20</sub>	---	---	---	---	---	---	---	---	---	---	---
	CC	P <sub>t,20</sub>	---	---	---	---	---	---	---	---	---	---	---

Thermal Ratings

# Thermal Ratings M1/M3 Mounting - 1800 rpm @ 40°C = 104°F



Thermal Ratings

Nom. Ratio	Cooling Type		SK 5207/ SK 5307	SK 6207/ SK 6307	SK 7207/ SK 7307	SK 8207/ SK 8307	SK 9207/ SK 9307	SK 10207/ SK 10307	SK 11207/ SK 11307	SK 12207/ SK 12307	SK 13207/ SK 13307	SK 14207/ SK 14307	SK 15207/ SK 15307
			Thermal Power										P <sub>N</sub>
i <sub>n</sub>			P <sub>N</sub> [HP]	P <sub>N</sub> [HP]	P <sub>N</sub> [HP]	P <sub>N</sub> [HP]	P <sub>N</sub> [HP]	P <sub>N</sub> [HP]	P <sub>N</sub> [HP]	P <sub>N</sub> [HP]	P <sub>N</sub> [HP]	P <sub>N</sub> [HP]	P <sub>N</sub> [HP]
5.6	---	Pt <sub>0.40</sub>	---	---	---	---	---	---	*	*	*	---	*
	FAN	Pf <sub>0.40</sub>	---	---	---	---	---	---	*	*	*	---	*
	CC	Pc <sub>0.20</sub>	---	---	---	---	---	---	433	*	*	---	*
6.3	---	Pt <sub>0.40</sub>	---	---	---	---	---	---	*	*	*	---	*
	FAN	Pf <sub>0.40</sub>	---	---	---	---	---	---	*	*	*	---	*
	CC	Pc <sub>0.20</sub>	---	---	---	---	---	---	452	*	*	---	*
7.1	---	Pt <sub>0.40</sub>	111	---	68	---	*	---	*	*	*	*	*
	FAN	Pf <sub>0.40</sub>	110	---	159	---	147	---	*	*	*	*	*
	CC	Pc <sub>0.20</sub>	274	---	338	---	316	---	673	567	657	*	*
8	---	Pt <sub>0.40</sub>	109	153	78	117	*	*	*	*	*	*	*
	FAN	Pf <sub>0.40</sub>	104	116	150	135	159	244	*	*	*	*	*
	CC	Pc <sub>0.20</sub>	258	278	320	286	313	397	659	566	687	*	*
9	---	Pt <sub>0.40</sub>	136	147	141	137	71	2	*	*	*	*	*
	FAN	Pf <sub>0.40</sub>	97	108	131	147	213	246	159	*	*	*	*
	CC	Pc <sub>0.20</sub>	245	258	289	312	352	387	801	858	1,096	692	*
10	---	Pt <sub>0.40</sub>	131	173	142	170	82	167	*	*	*	*	*
	FAN	Pf <sub>0.40</sub>	91	104	125	117	195	200	170	*	*	*	*
	CC	Pc <sub>0.20</sub>	231	250	277	251	324	330	770	818	1,072	725	*
11.2	---	Pt <sub>0.40</sub>	145	164	175	192	179	169	84	*	*	*	*
	FAN	Pf <sub>0.40</sub>	88	96	115	128	172	185	228	134	*	*	*
	CC	Pc <sub>0.20</sub>	224	232	257	275	293	305	761	1,000	1,285	1,190	855
12.5	---	Pt <sub>0.40</sub>	139	180	172	195	175	253	93	*	*	*	*
	FAN	Pf <sub>0.40</sub>	83	95	110	104	160	171	211	145	38	*	*
	CC	Pc <sub>0.20</sub>	211	230	247	224	273	285	713	948	1,239	1,174	849
14	---	Pt <sub>0.40</sub>	145	169	188	217	232	244	190	22	*	*	*
	FAN	Pf <sub>0.40</sub>	81	88	102	114	150	159	180	291	327	208	*
	CC	Pc <sub>0.20</sub>	205	213	229	246	258	266	643	1,017	1,352	1,394	1,242
16	---	Pt <sub>0.40</sub>	138	176	183	202	222	298	186	35	*	*	*
	FAN	Pf <sub>0.40</sub>	76	86	98	92	140	151	169	266	326	227	*
	CC	Pc <sub>0.20</sub>	193	210	220	201	241	253	608	940	1,297	1,359	1,195
18	---	Pt <sub>0.40</sub>	138	166	188	224	253	283	239	187	220	125	11
	FAN	Pf <sub>0.40</sub>	71	80	90	101	131	141	150	211	253	367	443
	CC	Pc <sub>0.20</sub>	182	195	203	220	226	236	547	822	1,103	1,349	1,423
20	---	Pt <sub>0.40</sub>	131	165	182	199	240	310	230	180	218	138	35
	FAN	Pf <sub>0.40</sub>	67	76	87	82	123	132	142	196	239	349	411
	CC	Pc <sub>0.20</sub>	172	186	196	179	212	222	519	768	1,049	1,292	1,332
22.4	---	Pt <sub>0.40</sub>	130	155	179	218	253	293	*	*	*	349	*
	FAN	Pf <sub>0.40</sub>	64	71	79	90	113	124	*	*	*	275	*
	CC	Pc <sub>0.20</sub>	164	174	178	195	196	208	409	534	591	1,099	*
25	---	Pt <sub>0.40</sub>	124	155	173	188	239	302	*	*	*	344	*
	FAN	Pf <sub>0.40</sub>	61	69	76	72	106	114	30	*	*	265	*
	CC	Pc <sub>0.20</sub>	155	168	172	158	184	193	409	542	610	1,059	*
28	---	Pt <sub>0.40</sub>	81	145	92	205	138	285	*	*	*	*	*
	FAN	Pf <sub>0.40</sub>	52	64	64	79	98	107	32	*	*	*	*
	CC	Pc <sub>0.20</sub>	133	157	144	171	169	181	393	514	589	654	*
31.5	---	Pt <sub>0.40</sub>	78	98	90	106	132	180	52	15	*	*	*
	FAN	Pf <sub>0.40</sub>	50	56	62	59	93	98	130	186	149	*	*
	CC	Pc <sub>0.20</sub>	128	135	140	130	160	164	439	655	817	661	510
35.5	---	Pt <sub>0.40</sub>	76	93	88	114	132	171	51	17	*	*	*
	FAN	Pf <sub>0.40</sub>	48	53	58	64	87	93	124	174	145	*	*
	CC	Pc <sub>0.20</sub>	122	128	131	139	150	156	420	616	787	646	492
40	---	Pt <sub>0.40</sub>	73	92	86	101	126	170	62	39	*	1	*
	FAN	Pf <sub>0.40</sub>	46	51	56	54	83	87	113	159	162	254	*
	CC	Pc <sub>0.20</sub>	117	124	127	118	142	146	390	577	754	867	517
45	---	Pt <sub>0.40</sub>	71	87	86	108	126	162	60	38	*	5	*
	FAN	Pf <sub>0.40</sub>	44	48	56	58	80	83	108	150	157	245	*
	CC	Pc <sub>0.20</sub>	112	117	126	126	137	139	373	545	726	841	497

\* Additional Cooling Necessary - Consult Factory



Nom. Ratio	Cooling Type		SK 5207/ SK 5307	SK 6207/ SK 6307	SK 7207/ SK 7307	SK 8207/ SK 8307	SK 9207/ SK 9307	SK 10207/ SK 10307	SK 11207/ SK 11307	SK 12207/ SK 12307	SK 13207/ SK 13307	SK 14207/ SK 14307	SK 15207/ SK 15307
			Thermal Power										
			P <sub>N</sub> [HP]	P <sub>N</sub> [HP]	P <sub>N</sub> [HP]	P <sub>N</sub> [HP]	P <sub>N</sub> [HP]	P <sub>N</sub> [HP]	P <sub>N</sub> [HP]	P <sub>N</sub> [HP]	P <sub>N</sub> [HP]	P <sub>N</sub> [HP]	P <sub>N</sub> [HP]
i <sub>N</sub>													
50	---	Pt <sub>0.40</sub>	68	85	84	98	121	160	134	152	160	43	71
	FAN	P <sub>IF.40</sub>	42	47	54	52	76	80	90	120	147	213	240
	CC	P <sub>IC.20</sub>	107	114	121	113	131	134	329	479	654	756	807
56	---	Pt <sub>0.40</sub>	79	81	104	105	164	153	129	144	155	43	71
	FAN	P <sub>IF.40</sub>	42	44	50	55	74	76	86	113	141	206	229
	CC	P <sub>IC.20</sub>	107	108	114	121	128	127	316	454	629	735	771
63	---	Pt <sub>0.40</sub>	76	94	101	112	156	196	126	144	155	230	92
	FAN	P <sub>IF.40</sub>	40	44	49	47	70	74	81	108	131	157	212
	CC	P <sub>IC.20</sub>	102	108	111	103	121	125	297	432	586	627	727
71	---	Pt <sub>0.40</sub>	73	89	96	120	149	186	121	137	149	225	90
	FAN	P <sub>IF.40</sub>	38	42	46	50	66	71	78	102	126	153	203
	CC	P <sub>IC.20</sub>	97	103	105	110	114	119	285	410	564	611	695
80	---	Pt <sub>0.40</sub>	70	86	93	103	142	177	143	176	216	217	282
	FAN	P <sub>IF.40</sub>	36	41	44	43	63	66	68	89	106	140	153
	CC	P <sub>IC.20</sub>	93	99	101	94	108	112	252	364	493	561	569
90	---	Pt <sub>0.40</sub>	67	81	92	111	138	168	138	168	209	212	271
	FAN	P <sub>IF.40</sub>	35	38	44	46	60	63	65	84	103	137	147
	CC	P <sub>IC.20</sub>	89	94	100	101	105	106	242	347	476	547	547
100	---	Pt <sub>0.40</sub>	64	79	90	99	132	164	132	163	200	268	266
	FAN	P <sub>IF.40</sub>	34	37	43	41	58	61	62	81	97	116	141
	CC	P <sub>IC.20</sub>	86	91	97	90	100	103	229	331	447	475	524
112	---	Pt <sub>0.40</sub>	64	75	87	107	135	156	128	155	193	262	256
	FAN	P <sub>IF.40</sub>	32	35	38	44	54	58	59	77	93	113	135
	CC	P <sub>IC.20</sub>	81	86	87	97	94	98	221	316	432	464	503
125	---	Pt <sub>0.40</sub>	62	75	85	93	132	158	---	---	---	247	---
	FAN	P <sub>IF.40</sub>	30	34	37	36	53	55	---	---	---	105	---
	CC	P <sub>IC.20</sub>	78	83	84	78	91	93	---	---	---	430	---
140	---	Pt <sub>0.40</sub>	59	71	84	99	126	154	---	---	---	242	---
	FAN	P <sub>IF.40</sub>	29	32	37	38	50	53	---	---	---	103	---
	CC	P <sub>IC.20</sub>	75	78	83	84	87	90	---	---	---	420	---
160	---	Pt <sub>0.40</sub>	57	69	82	89	124	147	---	---	---	---	---
	FAN	P <sub>IF.40</sub>	28	31	35	34	48	51	---	---	---	---	---
	CC	P <sub>IC.20</sub>	72	76	81	75	82	85	---	---	---	---	---
180	---	Pt <sub>0.40</sub>	45	66	67	96	118	144	---	---	---	---	---
	FAN	P <sub>IF.40</sub>	22	30	28	37	45	48	---	---	---	---	---
	CC	P <sub>IC.20</sub>	56	72	64	81	79	81	---	---	---	---	---
200	---	Pt <sub>0.40</sub>	43	52	65	72	101	137	---	---	---	---	---
	FAN	P <sub>IF.40</sub>	21	23	27	27	37	46	---	---	---	---	---
	CC	P <sub>IC.20</sub>	55	57	62	58	63	77	---	---	---	---	---
224	---	Pt <sub>0.40</sub>	42	50	63	76	97	116	---	---	---	---	---
	FAN	P <sub>IF.40</sub>	21	22	26	28	35	37	---	---	---	---	---
	CC	P <sub>IC.20</sub>	53	55	59	62	61	62	---	---	---	---	---
250	---	Pt <sub>0.40</sub>	41	49	61	67	93	112	---	---	---	---	---
	FAN	P <sub>IF.40</sub>	20	22	25	25	34	36	---	---	---	---	---
	CC	P <sub>IC.20</sub>	51	54	58	54	58	60	---	---	---	---	---
280	---	Pt <sub>0.40</sub>	39	47	61	71	89	107	---	---	---	---	---
	FAN	P <sub>IF.40</sub>	19	21	25	26	32	34	---	---	---	---	---
	CC	P <sub>IC.20</sub>	50	51	58	58	56	57	---	---	---	---	---
315	---	Pt <sub>0.40</sub>	38	46	59	65	88	103	---	---	---	---	---
	FAN	P <sub>IF.40</sub>	19	20	24	24	32	33	---	---	---	---	---
	CC	P <sub>IC.20</sub>	48	50	56	52	55	55	---	---	---	---	---
355	---	Pt <sub>0.40</sub>	---	44	---	69	84	101	---	---	---	---	---
	FAN	P <sub>IF.40</sub>	---	20	---	25	30	32	---	---	---	---	---
	CC	P <sub>IC.20</sub>	---	48	---	56	53	54	---	---	---	---	---
400	---	Pt <sub>0.40</sub>	---	---	---	---	97	---	---	---	---	---	---
	FAN	P <sub>IF.40</sub>	---	---	---	---	31	---	---	---	---	---	---
	CC	P <sub>IC.20</sub>	---	---	---	---	52	---	---	---	---	---	---
450	---	Pt <sub>0.40</sub>	---	---	---	---	---	---	---	---	---	---	---
	FAN	P <sub>IF.40</sub>	---	---	---	---	---	---	---	---	---	---	---
	CC	P <sub>IC.20</sub>	---	---	---	---	---	---	---	---	---	---	---

Thermal Ratings

# Thermal Ratings

## M5 Mounting - 1000 rpm

### @ 20°C = 68°F



Nom. Ratio	Cooling Type		SK 5207/ SK 5307	SK 6207/ SK 6307	SK 7207/ SK 7307	SK 8207/ SK 8307	SK 9207/ SK 9307	SK 10207/ SK 10307	SK 11207/ SK 11307	SK 12207/ SK 12307	SK 13207/ SK 13307	SK 14207/ SK 14307	SK 15207/ SK 15307
			Thermal Power										P <sub>N</sub>
i <sub>n</sub>			P <sub>N</sub>	P <sub>N</sub>	P <sub>N</sub>	P <sub>N</sub>	P <sub>N</sub>	P <sub>N</sub>	P <sub>N</sub>	P <sub>N</sub>	P <sub>N</sub>	P <sub>N</sub>	P <sub>N</sub>
			[HP]	[HP]	[HP]	[HP]	[HP]	[HP]	[HP]	[HP]	[HP]	[HP]	[HP]
5.6	---	Pt <sub>0.20</sub>	---	---	---	---	---	---	*	*	*	---	*
	FAN	Pf <sub>0.20</sub>	---	---	---	---	---	---	*	*	*	---	*
	CC	Pc <sub>0.20</sub>	---	---	---	---	---	---	405	277	*	---	*
6.3	---	Pt <sub>0.20</sub>	---	---	---	---	---	---	*	*	*	---	*
	FAN	Pf <sub>0.20</sub>	---	---	---	---	---	---	*	*	*	---	*
	CC	Pc <sub>0.20</sub>	---	---	---	---	---	---	425	335	126	---	*
7.1	---	Pt <sub>0.20</sub>	140	---	157	---	83	---	*	*	*	*	*
	FAN	Pf <sub>0.20</sub>	108	---	146	---	239	---	87	*	*	*	*
	CC	Pc <sub>0.20</sub>	223	---	258	---	312	---	623	744	737	*	*
8	---	Pt <sub>0.20</sub>	135	169	158	175	97	147	*	*	*	*	*
	FAN	Pf <sub>0.20</sub>	101	118	139	137	218	246	120	*	*	*	*
	CC	Pc <sub>0.20</sub>	209	229	246	224	286	301	611	723	756	47	*
9	---	Pt <sub>0.20</sub>	152	161	191	198	194	158	*	*	*	*	*
	FAN	Pf <sub>0.20</sub>	97	109	130	150	198	226	300	243	46	*	*
	CC	Pc <sub>0.20</sub>	201	212	230	246	262	276	735	929	1,085	774	*
10	---	Pt <sub>0.20</sub>	145	180	188	203	191	252	18	*	*	*	*
	FAN	Pf <sub>0.20</sub>	91	106	124	122	184	210	281	251	101	*	*
	CC	Pc <sub>0.20</sub>	189	207	220	200	243	257	688	880	1,059	805	51
11.2	---	Pt <sub>0.20</sub>	155	170	205	227	247	245	176	119	*	*	*
	FAN	Pf <sub>0.20</sub>	89	99	116	134	174	194	223	312	384	231	0
	CC	Pc <sub>0.20</sub>	185	192	207	220	231	238	593	882	1,225	1,172	841
12.5	---	Pt <sub>0.20</sub>	147	182	199	212	236	301	176	128	*	*	*
	FAN	Pf <sub>0.20</sub>	84	98	111	110	162	185	209	287	387	263	*
	CC	Pc <sub>0.20</sub>	174	190	198	181	215	228	557	819	1,179	1,156	836
14	---	Pt <sub>0.20</sub>	151	171	205	235	272	287	242	249	211	43	*
	FAN	Pf <sub>0.20</sub>	81	90	104	120	155	172	189	256	335	495	359
	CC	Pc <sub>0.20</sub>	169	176	185	198	206	212	512	753	1,048	1,280	1,172
16	---	Pt <sub>0.20</sub>	143	176	199	210	257	322	234	240	215	75	*
	FAN	Pf <sub>0.20</sub>	77	89	100	99	145	165	178	237	315	463	370
	CC	Pc <sub>0.20</sub>	160	174	178	163	193	204	484	700	991	1,215	1,128
18	---	Pt <sub>0.20</sub>	140	165	197	232	273	304	269	311	342	323	225
	FAN	Pf <sub>0.20</sub>	72	83	92	108	136	154	160	212	268	372	438
	CC	Pc <sub>0.20</sub>	151	162	165	178	182	190	437	638	868	1,044	1,099
20	---	Pt <sub>0.20</sub>	134	164	190	201	258	318	258	294	333	325	232
	FAN	Pf <sub>0.20</sub>	68	79	89	88	128	146	152	198	254	356	409
	CC	Pc <sub>0.20</sub>	142	155	159	145	170	180	415	596	826	1,002	1,031
22.4	---	Pt <sub>0.20</sub>	132	153	183	220	261	300	164	164	129	448	*
	FAN	Pf <sub>0.20</sub>	65	74	81	96	119	136	138	184	245	305	137
	CC	Pc <sub>0.20</sub>	136	144	145	159	158	168	375	544	765	875	735
25	---	Pt <sub>0.20</sub>	125	153	177	186	247	300	176	191	182	439	*
	FAN	Pf <sub>0.20</sub>	62	71	78	77	112	127	128	171	219	293	271
	CC	Pc <sub>0.20</sub>	129	140	139	128	149	156	347	508	696	843	805
28	---	Pt <sub>0.20</sub>	99	143	128	203	199	283	169	182	178	219	*
	FAN	Pf <sub>0.20</sub>	52	67	64	84	98	119	122	161	209	266	265
	CC	Pc <sub>0.20</sub>	108	130	116	140	130	147	332	479	667	740	773
31.5	---	Pt <sub>0.20</sub>	95	115	125	135	190	232	221	270	312	259	272
	FAN	Pf <sub>0.20</sub>	50	56	62	63	92	104	114	151	187	236	287
	CC	Pc <sub>0.20</sub>	104	110	112	104	123	128	316	460	616	666	729
35.5	---	Pt <sub>0.20</sub>	92	109	120	145	185	220	211	256	301	254	264
	FAN	Pf <sub>0.20</sub>	48	53	59	67	87	99	109	142	179	229	273
	CC	Pc <sub>0.20</sub>	100	104	105	112	116	121	303	434	592	647	696
40	---	Pt <sub>0.20</sub>	88	107	117	126	176	214	207	256	299	379	296
	FAN	Pf <sub>0.20</sub>	46	52	57	57	83	93	102	135	166	205	255
	CC	Pc <sub>0.20</sub>	95	101	102	95	110	114	283	410	548	593	654
45	---	Pt <sub>0.20</sub>	86	101	117	135	174	203	198	242	289	370	284
	FAN	Pf <sub>0.20</sub>	44	49	56	61	80	88	98	127	159	199	243
	CC	Pc <sub>0.20</sub>	91	96	101	102	106	108	271	388	527	576	625

\* Additional Cooling Necessary - Consult Factory



Nom. Ratio	Cooling Type		SK 5207/ SK 5307	SK 6207/ SK 6307	SK 7207/ SK 7307	SK 8207/ SK 8307	SK 9207/ SK 9307	SK 10207/ SK 10307	SK 11207/ SK 11307	SK 12207/ SK 12307	SK 13207/ SK 13307	SK 14207/ SK 14307	SK 15207/ SK 15307
			Thermal Power										
$i_N$			$P_N$ [HP]	$P_N$ [HP]	$P_N$ [HP]	$P_N$ [HP]	$P_N$ [HP]	$P_N$ [HP]	$P_N$ [HP]	$P_N$ [HP]	$P_N$ [HP]	$P_N$ [HP]	$P_N$ [HP]
50	---	Pt <sub>0.20</sub>	82	99	113	122	166	201	211	266	332	358	443
	FAN	P <sub>IF.20</sub>	42	48	54	55	76	85	91	119	148	182	217
	CC	P <sub>IC.20</sub>	87	93	98	91	101	105	253	366	494	526	574
56	---	Pt <sub>0.20</sub>	87	94	118	131	185	191	202	252	319	350	425
	FAN	P <sub>IF.20</sub>	42	45	52	59	76	81	87	113	142	177	207
	CC	P <sub>IC.20</sub>	88	88	94	98	102	99	243	347	476	512	548
63	---	Pt <sub>0.20</sub>	84	100	114	122	176	210	193	245	305	385	419
	FAN	P <sub>IF.20</sub>	40	46	50	51	72	81	82	107	132	163	197
	CC	P <sub>IC.20</sub>	84	89	90	84	96	100	228	329	443	476	522
71	---	Pt <sub>0.20</sub>	80	95	109	131	167	199	186	233	294	376	401
	FAN	P <sub>IF.20</sub>	38	43	48	54	68	77	79	102	128	159	189
	CC	P <sub>IC.20</sub>	80	84	85	90	91	95	219	313	427	463	499
80	---	Pt <sub>0.20</sub>	77	92	105	112	159	189	179	230	292	353	418
	FAN	P <sub>IF.20</sub>	37	42	46	46	65	73	71	93	115	146	166
	CC	P <sub>IC.20</sub>	77	82	82	77	86	89	198	286	386	426	442
90	---	Pt <sub>0.20</sub>	74	87	105	120	155	180	172	218	282	344	401
	FAN	P <sub>IF.20</sub>	35	39	46	50	62	69	68	88	111	142	160
	CC	P <sub>IC.20</sub>	74	77	82	83	83	85	191	272	373	415	425
100	---	Pt <sub>0.20</sub>	71	85	101	108	147	175	165	211	268	334	390
	FAN	P <sub>IF.20</sub>	34	38	44	44	59	67	65	84	104	127	153
	CC	P <sub>IC.20</sub>	70	75	79	74	79	82	180	260	350	372	408
112	---	Pt <sub>0.20</sub>	68	80	93	116	144	167	158	201	259	326	374
	FAN	P <sub>IF.20</sub>	32	36	40	48	57	63	62	80	101	124	147
	CC	P <sub>IC.20</sub>	67	71	71	79	76	78	174	248	338	363	391
125	---	Pt <sub>0.20</sub>	66	78	90	96	140	162	---	---	---	305	---
	FAN	P <sub>IF.20</sub>	31	35	38	39	55	61	---	---	---	115	---
	CC	P <sub>IC.20</sub>	64	68	69	64	73	75	---	---	---	337	---
140	---	Pt <sub>0.20</sub>	63	74	90	103	133	158	---	---	---	298	---
	FAN	P <sub>IF.20</sub>	29	33	38	41	52	59	---	---	---	112	---
	CC	P <sub>IC.20</sub>	62	65	69	69	70	72	---	---	---	329	---
160	---	Pt <sub>0.20</sub>	61	72	87	93	129	150	---	---	---	---	---
	FAN	P <sub>IF.20</sub>	28	32	37	37	50	56	---	---	---	---	---
	CC	P <sub>IC.20</sub>	59	63	66	62	66	69	---	---	---	---	---
180	---	Pt <sub>0.20</sub>	49	69	70	100	122	145	---	---	---	---	---
	FAN	P <sub>IF.20</sub>	23	30	30	40	47	53	---	---	---	---	---
	CC	P <sub>IC.20</sub>	48	60	53	66	63	65	---	---	---	---	---
200	---	Pt <sub>0.20</sub>	47	55	68	73	101	138	---	---	---	---	---
	FAN	P <sub>IF.20</sub>	22	25	29	29	38	51	---	---	---	---	---
	CC	P <sub>IC.20</sub>	46	48	52	49	51	62	---	---	---	---	---
224	---	Pt <sub>0.20</sub>	46	53	65	78	98	114	---	---	---	---	---
	FAN	P <sub>IF.20</sub>	21	23	27	31	37	41	---	---	---	---	---
	CC	P <sub>IC.20</sub>	45	46	49	52	49	51	---	---	---	---	---
250	---	Pt <sub>0.20</sub>	44	52	64	68	93	110	---	---	---	---	---
	FAN	P <sub>IF.20</sub>	20	23	27	27	35	39	---	---	---	---	---
	CC	P <sub>IC.20</sub>	43	45	48	45	47	49	---	---	---	---	---
280	---	Pt <sub>0.20</sub>	43	50	63	72	90	105	---	---	---	---	---
	FAN	P <sub>IF.20</sub>	20	22	27	29	34	38	---	---	---	---	---
	CC	P <sub>IC.20</sub>	42	43	48	48	45	47	---	---	---	---	---
315	---	Pt <sub>0.20</sub>	41	49	62	66	88	101	---	---	---	---	---
	FAN	P <sub>IF.20</sub>	19	22	26	26	33	36	---	---	---	---	---
	CC	P <sub>IC.20</sub>	40	42	47	44	44	45	---	---	---	---	---
355	---	Pt <sub>0.20</sub>	---	47	---	70	85	99	---	---	---	---	---
	FAN	P <sub>IF.20</sub>	---	21	---	28	32	36	---	---	---	---	---
	CC	P <sub>IC.20</sub>	---	40	---	47	43	44	---	---	---	---	---
400	---	Pt <sub>0.20</sub>	---	---	---	---	95	---	---	---	---	---	---
	FAN	P <sub>IF.20</sub>	---	---	---	---	34	---	---	---	---	---	---
	CC	P <sub>IC.20</sub>	---	---	---	---	42	---	---	---	---	---	---
450	---	Pt <sub>0.20</sub>	---	---	---	---	---	---	---	---	---	---	---
	FAN	P <sub>IF.20</sub>	---	---	---	---	---	---	---	---	---	---	---
	CC	P <sub>IC.20</sub>	---	---	---	---	---	---	---	---	---	---	---

Thermal Ratings

# Thermal Ratings

## M5 Mounting - 1000 rpm

### @ 40°C = 104°F



Nom. Ratio	Cooling Type		SK 5207/ SK 5307	SK 6207/ SK 6307	SK 7207/ SK 7307	SK 8207/ SK 8307	SK 9207/ SK 9307	SK 10207/ SK 10307	SK 11207/ SK 11307	SK 12207/ SK 12307	SK 13207/ SK 13307	SK 14207/ SK 14307	SK 15207/ SK 15307
			Thermal Power										P <sub>N</sub>
i <sub>n</sub>			P <sub>N</sub>	P <sub>N</sub>	P <sub>N</sub>	P <sub>N</sub>	P <sub>N</sub>	P <sub>N</sub>	P <sub>N</sub>	P <sub>N</sub>	P <sub>N</sub>	P <sub>N</sub>	P <sub>N</sub>
			[HP]	[HP]	[HP]	[HP]	[HP]	[HP]	[HP]	[HP]	[HP]	[HP]	[HP]
5.6	---	Pt <sub>0.40</sub>	---	---	---	---	---	---	*	*	*	---	*
	FAN	P <sub>IF.40</sub>	---	---	---	---	---	---	*	*	*	---	*
	CC	P <sub>IC.20</sub>	---	---	---	---	---	---	298	95	*	---	*
6.3	---	Pt <sub>0.40</sub>	---	---	---	---	---	---	*	*	*	---	*
	FAN	P <sub>IF.40</sub>	---	---	---	---	---	---	*	*	*	---	*
	CC	P <sub>IC.20</sub>	---	---	---	---	---	---	327	187	*	---	*
7.1	---	Pt <sub>0.40</sub>	105	---	102	---	*	---	*	*	*	*	*
	FAN	P <sub>IF.40</sub>	95	---	132	---	209	---	*	*	*	*	*
	CC	P <sub>IC.20</sub>	229	---	269	---	323	---	536	627	577	*	*
8	---	Pt <sub>0.40</sub>	102	128	106	123	*	30	*	*	*	*	*
	FAN	P <sub>IF.40</sub>	89	104	125	122	212	242	*	*	*	*	*
	CC	P <sub>IC.20</sub>	215	236	256	233	316	337	529	617	609	*	*
9	---	Pt <sub>0.40</sub>	121	124	145	141	116	55	*	*	*	*	*
	FAN	P <sub>IF.40</sub>	85	96	115	134	180	216	160	14	*	*	*
	CC	P <sub>IC.20</sub>	206	218	238	256	277	304	660	830	957	584	*
10	---	Pt <sub>0.40</sub>	116	145	143	157	119	167	*	*	*	*	*
	FAN	P <sub>IF.40</sub>	80	93	109	107	167	189	169	51	*	*	*
	CC	P <sub>IC.20</sub>	194	212	227	207	257	271	636	789	938	625	*
11.2	---	Pt <sub>0.40</sub>	126	137	164	177	181	167	75	*	*	*	*
	FAN	P <sub>IF.40</sub>	77	86	102	118	155	175	213	278	161	*	*
	CC	P <sub>IC.20</sub>	189	196	213	228	241	251	629	917	1,113	1,020	637
12.5	---	Pt <sub>0.40</sub>	120	150	160	172	175	228	82	*	*	*	*
	FAN	P <sub>IF.40</sub>	73	85	98	96	144	164	198	273	180	*	*
	CC	P <sub>IC.20</sub>	178	195	204	186	224	237	589	868	1,073	1,010	647
14	---	Pt <sub>0.40</sub>	125	141	168	191	214	219	163	139	37	*	*
	FAN	P <sub>IF.40</sub>	71	79	91	106	137	153	172	237	336	299	10
	CC	P <sub>IC.20</sub>	173	180	191	204	213	220	533	790	1,124	1,190	1,006
16	---	Pt <sub>0.40</sub>	119	147	163	174	203	257	160	138	57	*	*
	FAN	P <sub>IF.40</sub>	66	78	87	86	128	146	162	219	311	311	57
	CC	P <sub>IC.20</sub>	163	178	183	167	199	211	503	732	1,057	1,163	973
18	---	Pt <sub>0.40</sub>	118	137	164	192	223	244	204	223	225	153	*
	FAN	P <sub>IF.40</sub>	63	72	81	94	120	136	143	192	245	349	433
	CC	P <sub>IC.20</sub>	154	165	169	183	188	196	453	661	902	1,100	1,185
20	---	Pt <sub>0.40</sub>	112	137	159	168	211	262	196	212	222	163	8
	FAN	P <sub>IF.40</sub>	59	69	77	77	112	128	135	179	232	333	418
	CC	P <sub>IC.20</sub>	145	158	163	149	176	185	430	618	858	1,053	1,124
22.4	---	Pt <sub>0.40</sub>	111	129	154	185	217	247	106	84	*	317	*
	FAN	P <sub>IF.40</sub>	56	64	71	84	104	120	126	172	249	275	*
	CC	P <sub>IC.20</sub>	139	147	148	163	163	173	390	570	823	907	617
25	---	Pt <sub>0.40</sub>	106	129	149	157	205	252	123	119	79	314	*
	FAN	P <sub>IF.40</sub>	53	62	68	68	98	111	115	156	208	264	48
	CC	P <sub>IC.20</sub>	131	143	143	132	153	161	361	529	733	873	696
28	---	Pt <sub>0.40</sub>	82	121	106	172	163	237	119	114	80	94	*
	FAN	P <sub>IF.40</sub>	45	58	56	74	86	104	110	147	198	253	56
	CC	P <sub>IC.20</sub>	111	133	118	143	134	151	345	499	702	784	670
31.5	---	Pt <sub>0.40</sub>	79	96	103	112	156	191	175	209	233	153	136
	FAN	P <sub>IF.40</sub>	43	49	54	55	81	91	101	135	167	219	271
	CC	P <sub>IC.20</sub>	106	113	114	107	127	132	326	474	636	698	773
35.5	---	Pt <sub>0.40</sub>	77	91	100	121	153	182	168	198	225	152	135
	FAN	P <sub>IF.40</sub>	41	46	51	59	76	86	97	127	160	212	257
	CC	P <sub>IC.20</sub>	102	106	108	114	119	125	312	447	610	678	736
40	---	Pt <sub>0.40</sub>	74	90	97	105	146	178	166	201	229	292	179
	FAN	P <sub>IF.40</sub>	39	45	49	50	72	81	91	120	148	184	236
	CC	P <sub>IC.20</sub>	97	104	104	97	113	118	291	423	565	612	687
45	---	Pt <sub>0.40</sub>	72	85	97	113	145	169	159	191	221	286	173
	FAN	P <sub>IF.40</sub>	38	42	49	53	70	77	87	113	142	178	225
	CC	P <sub>IC.20</sub>	93	98	103	104	109	112	279	400	543	595	656

\* Additional Cooling Necessary - Consult Factory



Nom. Ratio	Cooling Type		SK 5207/ SK 5307	SK 6207/ SK 6307	SK 7207/ SK 7307	SK 8207/ SK 8307	SK 9207/ SK 9307	SK 10207/ SK 10307	SK 11207/ SK 11307	SK 12207/ SK 12307	SK 13207/ SK 13307	SK 14207/ SK 14307	SK 15207/ SK 15307
			Thermal Power										
$i_N$			$P_N$ [HP]	$P_N$ [HP]	$P_N$ [HP]	$P_N$ [HP]	$P_N$ [HP]	$P_N$ [HP]	$P_N$ [HP]	$P_N$ [HP]	$P_N$ [HP]	$P_N$ [HP]	$P_N$ [HP]
50	---	$P_{t_{0,40}}$	69	83	94	102	138	168	175	219	270	282	350
	FAN	$P_{f_{0,40}}$	36	41	47	48	66	74	80	105	131	162	193
	CC	$P_{c_{0,20}}$	89	95	100	93	104	108	260	376	507	543	591
56	---	$P_{t_{0,40}}$	74	79	100	110	157	160	168	208	260	275	335
	FAN	$P_{f_{0,40}}$	36	39	45	51	66	71	77	99	126	158	184
	CC	$P_{c_{0,20}}$	89	90	95	100	104	103	249	356	488	528	564
63	---	$P_{t_{0,40}}$	71	85	97	104	149	179	161	203	250	317	335
	FAN	$P_{f_{0,40}}$	35	39	43	44	63	71	72	95	117	144	175
	CC	$P_{c_{0,20}}$	85	91	92	86	99	103	234	338	455	489	538
71	---	$P_{t_{0,40}}$	68	81	92	111	142	170	155	192	241	310	320
	FAN	$P_{f_{0,40}}$	33	37	41	47	59	67	69	90	113	141	167
	CC	$P_{c_{0,20}}$	82	86	87	92	93	98	225	321	438	476	514
80	---	$P_{t_{0,40}}$	65	78	89	95	135	161	151	193	245	292	347
	FAN	$P_{f_{0,40}}$	32	36	40	40	56	63	62	81	101	129	147
	CC	$P_{c_{0,20}}$	78	83	84	78	88	92	203	293	396	438	454
90	---	$P_{t_{0,40}}$	63	74	89	102	132	153	145	184	236	285	333
	FAN	$P_{f_{0,40}}$	30	34	40	43	54	60	60	77	98	126	141
	CC	$P_{c_{0,20}}$	75	79	84	84	85	87	196	279	382	426	436
100	---	$P_{t_{0,40}}$	60	72	86	92	125	150	139	178	225	281	325
	FAN	$P_{f_{0,40}}$	29	33	38	38	52	58	57	74	92	112	135
	CC	$P_{c_{0,20}}$	72	77	81	75	81	84	185	266	358	382	418
112	---	$P_{t_{0,40}}$	58	68	80	99	123	142	134	169	217	275	312
	FAN	$P_{f_{0,40}}$	28	31	34	41	49	55	55	70	89	109	129
	CC	$P_{c_{0,20}}$	68	72	73	81	78	80	178	254	346	373	401
125	---	$P_{t_{0,40}}$	56	67	77	82	120	139	---	---	---	258	---
	FAN	$P_{f_{0,40}}$	26	30	33	33	48	53	---	---	---	101	---
	CC	$P_{c_{0,20}}$	65	70	70	66	75	77	---	---	---	345	---
140	---	$P_{t_{0,40}}$	54	63	77	88	114	136	---	---	---	252	---
	FAN	$P_{f_{0,40}}$	25	28	33	36	46	51	---	---	---	99	---
	CC	$P_{c_{0,20}}$	63	66	70	70	72	74	---	---	---	337	---
160	---	$P_{t_{0,40}}$	52	62	74	79	110	129	---	---	---	---	---
	FAN	$P_{f_{0,40}}$	24	28	32	32	43	49	---	---	---	---	---
	CC	$P_{c_{0,20}}$	60	64	68	63	68	71	---	---	---	---	---
180	---	$P_{t_{0,40}}$	42	59	60	85	105	125	---	---	---	---	---
	FAN	$P_{f_{0,40}}$	19	26	25	35	41	46	---	---	---	---	---
	CC	$P_{c_{0,20}}$	48	61	54	68	65	67	---	---	---	---	---
200	---	$P_{t_{0,40}}$	40	47	58	63	87	119	---	---	---	---	---
	FAN	$P_{f_{0,40}}$	19	21	25	25	34	44	---	---	---	---	---
	CC	$P_{c_{0,20}}$	47	49	53	50	53	64	---	---	---	---	---
224	---	$P_{t_{0,40}}$	39	45	56	66	84	98	---	---	---	---	---
	FAN	$P_{f_{0,40}}$	18	20	24	27	32	36	---	---	---	---	---
	CC	$P_{c_{0,20}}$	45	47	50	53	51	52	---	---	---	---	---
250	---	$P_{t_{0,40}}$	38	44	54	58	81	94	---	---	---	---	---
	FAN	$P_{f_{0,40}}$	18	20	23	23	31	34	---	---	---	---	---
	CC	$P_{c_{0,20}}$	44	46	49	46	49	50	---	---	---	---	---
280	---	$P_{t_{0,40}}$	37	43	54	62	77	91	---	---	---	---	---
	FAN	$P_{f_{0,40}}$	17	19	23	25	30	33	---	---	---	---	---
	CC	$P_{c_{0,20}}$	42	44	49	49	47	48	---	---	---	---	---
315	---	$P_{t_{0,40}}$	35	42	53	56	76	87	---	---	---	---	---
	FAN	$P_{f_{0,40}}$	16	19	22	23	29	32	---	---	---	---	---
	CC	$P_{c_{0,20}}$	41	43	47	44	46	46	---	---	---	---	---
355	---	$P_{t_{0,40}}$	---	40	---	60	73	85	---	---	---	---	---
	FAN	$P_{f_{0,40}}$	---	18	---	24	28	31	---	---	---	---	---
	CC	$P_{c_{0,20}}$	---	41	---	47	44	45	---	---	---	---	---
400	---	$P_{t_{0,40}}$	---	---	---	---	82	---	---	---	---	---	---
	FAN	$P_{f_{0,40}}$	---	---	---	---	30	---	---	---	---	---	---
	CC	$P_{c_{0,20}}$	---	---	---	---	43	---	---	---	---	---	---
450	---	$P_{t_{0,40}}$	---	---	---	---	---	---	---	---	---	---	---
	FAN	$P_{f_{0,40}}$	---	---	---	---	---	---	---	---	---	---	---
	CC	$P_{c_{0,20}}$	---	---	---	---	---	---	---	---	---	---	---

Thermal Ratings

# Thermal Ratings

## M5 Mounting - 1200 rpm

### @ 20°C = 68°F

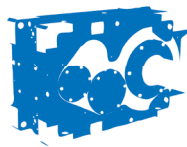


Thermal Ratings

Nom. Ratio	Cooling Type		SK 5207/ SK 5307	SK 6207/ SK 6307	SK 7207/ SK 7307	SK 8207/ SK 8307	SK 9207/ SK 9307	SK 10207/ SK 10307	SK 11207/ SK 11307	SK 12207/ SK 12307	SK 13207/ SK 13307	SK 14207/ SK 14307	SK 15207/ SK 15307
			Thermal Power										
			P <sub>N</sub> [HP]	P <sub>N</sub> [HP]	P <sub>N</sub> [HP]	P <sub>N</sub> [HP]	P <sub>N</sub> [HP]	P <sub>N</sub> [HP]	P <sub>N</sub> [HP]	P <sub>N</sub> [HP]	P <sub>N</sub> [HP]	P <sub>N</sub> [HP]	P <sub>N</sub> [HP]
5.6	---	Pt <sub>0.20</sub>	---	---	---	---	---	---	*	*	*	---	*
	FAN	Pf <sub>0.20</sub>	---	---	---	---	---	---	*	*	*	---	*
	CC	Pc <sub>0.20</sub>	---	---	---	---	---	---	*	*	*	---	*
6.3	---	Pt <sub>0.20</sub>	---	---	---	---	---	---	*	*	*	---	*
	FAN	Pf <sub>0.20</sub>	---	---	---	---	---	---	*	*	*	---	*
	CC	Pc <sub>0.20</sub>	---	---	---	---	---	---	*	*	*	---	*
7.1	---	Pt <sub>0.20</sub>	103	---	69	---	*	---	*	*	*	*	*
	FAN	Pf <sub>0.20</sub>	119	---	172	---	141	---	*	*	*	*	*
	CC	Pc <sub>0.20</sub>	243	---	295	---	231	---	309	217	*	*	*
8	---	Pt <sub>0.20</sub>	102	130	80	104	*	*	*	*	*	*	*
	FAN	Pf <sub>0.20</sub>	111	130	162	156	158	217	*	*	*	*	*
	CC	Pc <sub>0.20</sub>	228	249	279	252	239	282	334	270	*	*	*
9	---	Pt <sub>0.20</sub>	131	128	144	123	49	*	*	*	*	*	*
	FAN	Pf <sub>0.20</sub>	105	120	144	170	243	231	*	*	*	*	*
	CC	Pc <sub>0.20</sub>	216	230	253	276	315	290	560	643	625	*	*
10	---	Pt <sub>0.20</sub>	127	160	145	164	66	119	*	*	*	*	*
	FAN	Pf <sub>0.20</sub>	99	115	137	134	220	245	38	*	*	*	*
	CC	Pc <sub>0.20</sub>	204	222	241	219	287	298	550	628	645	*	*
11.2	---	Pt <sub>0.20</sub>	143	152	179	185	170	130	*	*	*	*	*
	FAN	Pf <sub>0.20</sub>	95	106	126	147	195	225	257	181	*	*	*
	CC	Pc <sub>0.20</sub>	198	206	224	241	258	274	678	850	955	666	*
12.5	---	Pt <sub>0.20</sub>	137	171	176	191	168	228	*	*	*	*	*
	FAN	Pf <sub>0.20</sub>	90	105	121	119	181	206	257	193	*	*	*
	CC	Pc <sub>0.20</sub>	186	203	214	195	240	252	651	812	934	692	*
14	---	Pt <sub>0.20</sub>	144	161	192	213	229	222	127	32	*	*	*
	FAN	Pf <sub>0.20</sub>	87	97	112	130	170	191	222	331	295	47	*
	CC	Pc <sub>0.20</sub>	180	188	199	214	225	234	579	889	1,113	1,031	670
16	---	Pt <sub>0.20</sub>	138	171	187	200	219	282	130	49	*	*	*
	FAN	Pf <sub>0.20</sub>	82	95	107	106	158	180	208	300	301	95	*
	CC	Pc <sub>0.20</sub>	170	185	191	175	210	222	546	818	1,073	1,020	674
18	---	Pt <sub>0.20</sub>	138	160	192	222	252	268	207	204	165	*	*
	FAN	Pf <sub>0.20</sub>	77	88	99	116	147	168	179	243	317	452	293
	CC	Pc <sub>0.20</sub>	160	172	176	191	196	206	482	710	981	1,212	1,066
20	---	Pt <sub>0.20</sub>	132	162	186	198	239	299	201	197	169	*	*
	FAN	Pf <sub>0.20</sub>	73	84	95	94	138	157	170	226	299	454	305
	CC	Pc <sub>0.20</sub>	151	164	170	155	184	194	457	663	931	1,183	1,028
22.4	---	Pt <sub>0.20</sub>	132	152	182	218	253	283	73	*	*	281	*
	FAN	Pf <sub>0.20</sub>	69	78	86	103	127	147	165	238	178	349	*
	CC	Pc <sub>0.20</sub>	144	153	154	170	170	181	427	642	778	976	321
25	---	Pt <sub>0.20</sub>	126	154	177	187	239	294	106	68	*	283	*
	FAN	Pf <sub>0.20</sub>	65	76	83	83	120	136	147	208	253	335	*
	CC	Pc <sub>0.20</sub>	136	148	149	137	160	167	389	582	793	939	489
28	---	Pt <sub>0.20</sub>	97	144	122	205	185	278	104	68	*	*	*
	FAN	Pf <sub>0.20</sub>	55	71	69	90	105	128	140	195	247	303	*
	CC	Pc <sub>0.20</sub>	115	138	123	149	140	157	372	549	765	844	476
31.5	---	Pt <sub>0.20</sub>	93	113	119	131	177	220	190	219	228	63	*
	FAN	Pf <sub>0.20</sub>	53	60	67	67	100	112	126	167	210	297	370
	CC	Pc <sub>0.20</sub>	110	117	119	111	133	138	344	503	678	780	874
35.5	---	Pt <sub>0.20</sub>	91	107	116	140	176	209	183	208	221	67	*
	FAN	Pf <sub>0.20</sub>	51	57	63	72	94	106	120	158	201	287	359
	CC	Pc <sub>0.20</sub>	106	111	112	119	125	131	329	474	651	756	840
40	---	Pt <sub>0.20</sub>	87	106	113	123	168	207	183	216	236	302	88
	FAN	Pf <sub>0.20</sub>	48	55	61	61	89	100	112	148	185	229	316
	CC	Pc <sub>0.20</sub>	101	108	109	101	118	123	307	447	600	651	765
45	---	Pt <sub>0.20</sub>	84	100	114	132	168	197	176	205	228	297	89
	FAN	Pf <sub>0.20</sub>	46	52	60	65	86	95	107	140	177	222	301
	CC	Pc <sub>0.20</sub>	97	102	108	108	114	116	294	423	577	632	729

\* Additional Cooling Necessary - Consult Factory





Nom. Ratio	Cooling Type		SK 5207/ SK 5307	SK 6207/ SK 6307	SK 7207/ SK 7307	SK 8207/ SK 8307	SK 9207/ SK 9307	SK 10207/ SK 10307	SK 11207/ SK 11307	SK 12207/ SK 12307	SK 13207/ SK 13307	SK 14207/ SK 14307	SK 15207/ SK 15307
	$i_N$		Thermal Power										
			$P_N$ [HP]	$P_N$ [HP]	$P_N$ [HP]	$P_N$ [HP]	$P_N$ [HP]	$P_N$ [HP]	$P_N$ [HP]	$P_N$ [HP]	$P_N$ [HP]	$P_N$ [HP]	$P_N$ [HP]
50	---	Pt <sub>0.20</sub>	81	98	110	120	160	196	202	251	306	301	377
	FAN	P <sub>f,20</sub>	44	50	58	58	81	91	98	129	161	201	238
	CC	P <sub>t,20</sub>	93	99	104	97	109	112	272	394	533	575	624
56	---	Pt <sub>0.20</sub>	89	93	120	129	187	186	194	238	295	294	362
	FAN	P <sub>f,20</sub>	44	48	55	63	81	87	94	122	154	196	227
	CC	P <sub>t,20</sub>	93	93	99	104	108	107	261	373	513	560	596
63	---	Pt <sub>0.20</sub>	85	103	116	125	178	214	188	234	286	364	367
	FAN	P <sub>f,20</sub>	42	48	53	54	77	87	88	116	144	177	216
	CC	P <sub>t,20</sub>	88	94	96	89	103	107	245	354	477	513	566
71	---	Pt <sub>0.20</sub>	82	97	110	134	170	203	180	222	275	355	352
	FAN	P <sub>f,20</sub>	40	46	50	58	72	82	85	110	138	172	206
	CC	P <sub>t,20</sub>	85	89	90	96	97	101	235	336	460	500	541
80	---	Pt <sub>0.20</sub>	78	94	107	115	161	194	179	228	287	337	403
	FAN	P <sub>f,20</sub>	39	44	49	49	69	77	76	99	123	158	179
	CC	P <sub>t,20</sub>	81	86	87	81	92	95	212	306	413	459	474
90	---	Pt <sub>0.20</sub>	75	89	107	123	157	184	172	217	277	329	387
	FAN	P <sub>f,20</sub>	37	42	48	53	66	73	73	94	119	154	172
	CC	P <sub>t,20</sub>	78	82	87	87	89	90	204	291	399	447	455
100	---	Pt <sub>0.20</sub>	72	87	103	110	150	179	165	210	265	332	379
	FAN	P <sub>f,20</sub>	36	41	47	47	63	71	69	90	112	136	164
	CC	P <sub>t,20</sub>	74	79	84	78	84	87	192	278	374	398	436
112	---	Pt <sub>0.20</sub>	70	82	96	119	148	171	159	200	256	325	364
	FAN	P <sub>f,20</sub>	34	38	42	51	60	67	67	86	108	133	158
	CC	P <sub>t,20</sub>	71	75	75	84	80	83	185	265	362	389	419
125	---	Pt <sub>0.20</sub>	68	81	93	100	144	168	---	---	---	305	---
	FAN	P <sub>f,20</sub>	32	37	40	41	58	64	---	---	---	123	---
	CC	P <sub>t,20</sub>	68	72	73	68	78	79	---	---	---	360	---
140	---	Pt <sub>0.20</sub>	65	77	93	107	137	164	---	---	---	298	---
	FAN	P <sub>f,20</sub>	31	35	40	44	56	62	---	---	---	120	---
	CC	P <sub>t,20</sub>	65	68	73	73	74	77	---	---	---	352	---
160	---	Pt <sub>0.20</sub>	62	75	90	96	133	156	---	---	---	---	---
	FAN	P <sub>f,20</sub>	30	34	39	39	53	59	---	---	---	---	---
	CC	P <sub>t,20</sub>	62	66	70	65	70	73	---	---	---	---	---
180	---	Pt <sub>0.20</sub>	50	71	72	103	127	150	---	---	---	---	---
	FAN	P <sub>f,20</sub>	24	32	31	42	50	56	---	---	---	---	---
	CC	P <sub>t,20</sub>	50	63	56	70	67	69	---	---	---	---	---
200	---	Pt <sub>0.20</sub>	49	57	71	76	106	143	---	---	---	---	---
	FAN	P <sub>f,20</sub>	23	26	30	31	41	54	---	---	---	---	---
	CC	P <sub>t,20</sub>	48	51	54	51	54	66	---	---	---	---	---
224	---	Pt <sub>0.20</sub>	47	55	68	80	102	119	---	---	---	---	---
	FAN	P <sub>f,20</sub>	22	25	29	33	39	43	---	---	---	---	---
	CC	P <sub>t,20</sub>	47	48	52	54	52	54	---	---	---	---	---
250	---	Pt <sub>0.20</sub>	46	54	66	71	97	114	---	---	---	---	---
	FAN	P <sub>f,20</sub>	21	24	28	29	38	42	---	---	---	---	---
	CC	P <sub>t,20</sub>	45	48	51	48	50	52	---	---	---	---	---
280	---	Pt <sub>0.20</sub>	44	51	66	75	94	110	---	---	---	---	---
	FAN	P <sub>f,20</sub>	21	23	28	30	36	40	---	---	---	---	---
	CC	P <sub>t,20</sub>	44	45	51	51	48	49	---	---	---	---	---
315	---	Pt <sub>0.20</sub>	43	50	64	68	92	105	---	---	---	---	---
	FAN	P <sub>f,20</sub>	20	23	27	28	35	39	---	---	---	---	---
	CC	P <sub>t,20</sub>	42	44	49	46	47	47	---	---	---	---	---
355	---	Pt <sub>0.20</sub>	---	48	---	73	88	103	---	---	---	---	---
	FAN	P <sub>f,20</sub>	---	22	---	29	34	38	---	---	---	---	---
	CC	P <sub>t,20</sub>	---	42	---	49	45	46	---	---	---	---	---
400	---	Pt <sub>0.20</sub>	---	---	---	---	99	---	---	---	---	---	---
	FAN	P <sub>f,20</sub>	---	---	---	---	36	---	---	---	---	---	---
	CC	P <sub>t,20</sub>	---	---	---	---	45	---	---	---	---	---	---
450	---	Pt <sub>0.20</sub>	---	---	---	---	---	---	---	---	---	---	---
	FAN	P <sub>f,20</sub>	---	---	---	---	---	---	---	---	---	---	---
	CC	P <sub>t,20</sub>	---	---	---	---	---	---	---	---	---	---	---

Thermal Ratings

# Thermal Ratings

## M5 Mounting - 1200 rpm

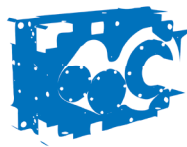
### @ 40°C = 104°F



Thermal Ratings

Nom. Ratio	Cooling Type		SK 5207/ SK 5307	SK 6207/ SK 6307	SK 7207/ SK 7307	SK 8207/ SK 8307	SK 9207/ SK 9307	SK 10207/ SK 10307	SK 11207/ SK 11307	SK 12207/ SK 12307	SK 13207/ SK 13307	SK 14207/ SK 14307	SK 15207/ SK 15307
			Thermal Power										
$i_n$			$P_N$ [HP]	$P_N$ [HP]	$P_N$ [HP]	$P_N$ [HP]	$P_N$ [HP]	$P_N$ [HP]	$P_N$ [HP]	$P_N$ [HP]	$P_N$ [HP]	$P_N$ [HP]	$P_N$ [HP]
5.6	---	Pt <sub>0.40</sub>	---	---	---	---	---	---	*	*	*	---	*
	FAN	Pf <sub>0.40</sub>	---	---	---	---	---	---	*	*	*	---	*
	CC	Pc <sub>0.20</sub>	---	---	---	---	---	---	*	*	*	---	*
6.3	---	Pt <sub>0.40</sub>	---	---	---	---	---	---	*	*	*	---	*
	FAN	Pf <sub>0.40</sub>	---	---	---	---	---	---	*	*	*	---	*
	CC	Pc <sub>0.20</sub>	---	---	---	---	---	---	*	*	*	---	*
7.1	---	Pt <sub>0.40</sub>	62	---	*	---	*	---	*	*	*	*	*
	FAN	Pf <sub>0.40</sub>	107	---	162	---	*	---	*	*	*	*	*
	CC	Pc <sub>0.20</sub>	253	---	317	---	142	---	196	22	*	*	*
8	---	Pt <sub>0.40</sub>	64	85	8	34	*	*	*	*	*	*	*
	FAN	Pf <sub>0.40</sub>	100	116	159	151	12	54	*	*	*	*	*
	CC	Pc <sub>0.20</sub>	237	259	306	275	159	184	231	111	*	*	*
9	---	Pt <sub>0.40</sub>	97	86	90	49	*	*	*	*	*	*	*
	FAN	Pf <sub>0.40</sub>	92	107	130	162	181	90	*	*	*	*	*
	CC	Pc <sub>0.20</sub>	223	239	265	298	293	201	473	527	465	*	*
10	---	Pt <sub>0.40</sub>	95	121	94	112	*	*	*	*	*	*	*
	FAN	Pf <sub>0.40</sub>	87	101	123	120	184	244	*	*	*	*	*
	CC	Pc <sub>0.20</sub>	210	229	252	229	287	337	468	522	497	*	*
11.2	---	Pt <sub>0.40</sub>	113	116	133	128	91	22	*	*	*	*	*
	FAN	Pf <sub>0.40</sub>	83	93	112	132	179	222	117	*	*	*	*
	CC	Pc <sub>0.20</sub>	203	212	232	251	275	308	605	755	826	477	*
12.5	---	Pt <sub>0.40</sub>	108	136	132	147	96	143	*	*	*	*	*
	FAN	Pf <sub>0.40</sub>	78	91	107	105	166	187	128	*	*	*	*
	CC	Pc <sub>0.20</sub>	191	208	222	202	254	267	583	723	813	513	*
14	---	Pt <sub>0.40</sub>	117	129	152	164	164	144	14	*	*	*	*
	FAN	Pf <sub>0.40</sub>	76	85	99	115	151	172	225	209	56	*	*
	CC	Pc <sub>0.20</sub>	185	193	206	222	235	247	630	839	1,005	879	466
16	---	Pt <sub>0.40</sub>	111	139	148	161	159	210	27	*	*	*	*
	FAN	Pf <sub>0.40</sub>	71	83	95	93	141	160	207	207	84	*	*
	CC	Pc <sub>0.20</sub>	174	190	197	180	219	231	589	791	971	875	485
18	---	Pt <sub>0.40</sub>	114	131	157	179	197	202	131	95	*	*	*
	FAN	Pf <sub>0.40</sub>	67	77	87	102	130	149	164	230	320	215	*
	CC	Pc <sub>0.20</sub>	163	176	181	197	203	215	504	750	1,056	1,084	910
20	---	Pt <sub>0.40</sub>	109	134	152	163	187	238	129	97	8	*	*
	FAN	Pf <sub>0.40</sub>	63	73	83	82	122	139	155	213	307	229	*
	CC	Pc <sub>0.20</sub>	155	168	174	160	190	201	477	698	1,007	1,060	881
22.4	---	Pt <sub>0.40</sub>	110	126	152	180	205	226	*	*	*	117	*
	FAN	Pf <sub>0.40</sub>	60	68	75	90	112	130	157	126	*	332	*
	CC	Pc <sub>0.20</sub>	147	156	158	175	175	188	454	583	699	1,032	158
25	---	Pt <sub>0.40</sub>	105	129	147	157	195	242	38	0	0	126	*
	FAN	Pf <sub>0.40</sub>	57	66	73	72	105	119	142	175	111	317	*
	CC	Pc <sub>0.20</sub>	139	151	153	140	165	173	415	595	721	991	356
28	---	Pt <sub>0.40</sub>	79	121	98	172	146	229	38	*	*	*	*
	FAN	Pf <sub>0.40</sub>	48	61	60	79	93	112	135	168	112	130	*
	CC	Pc <sub>0.20</sub>	118	141	126	153	145	162	396	564	695	754	349
31.5	---	Pt <sub>0.40</sub>	76	93	95	106	140	176	139	149	134	*	*
	FAN	Pf <sub>0.40</sub>	46	52	58	58	88	99	113	152	194	214	181
	CC	Pc <sub>0.20</sub>	113	120	122	114	138	143	356	522	707	762	770
35.5	---	Pt <sub>0.40</sub>	75	88	94	114	141	168	134	143	132	*	*
	FAN	Pf <sub>0.40</sub>	44	49	55	63	82	93	108	143	185	212	180
	CC	Pc <sub>0.20</sub>	108	113	115	122	129	135	340	492	678	744	741
40	---	Pt <sub>0.40</sub>	72	88	91	101	135	168	138	155	155	203	*
	FAN	Pf <sub>0.40</sub>	42	48	53	53	78	88	100	134	168	208	243
	CC	Pc <sub>0.20</sub>	103	110	111	104	122	127	317	463	623	678	760
45	---	Pt <sub>0.40</sub>	70	83	93	108	136	160	133	148	151	200	*
	FAN	Pf <sub>0.40</sub>	40	45	52	57	75	83	96	126	162	202	236
	CC	Pc <sub>0.20</sub>	99	104	110	111	118	120	304	438	599	658	729

\* Additional Cooling Necessary - Consult Factory



Nom. Ratio	Cooling Type		SK 5207/ SK 5307	SK 6207/ SK 6307	SK 7207/ SK 7307	SK 8207/ SK 8307	SK 9207/ SK 9307	SK 10207/ SK 10307	SK 11207/ SK 11307	SK 12207/ SK 12307	SK 13207/ SK 13307	SK 14207/ SK 14307	SK 15207/ SK 15307
			Thermal Power										
$i_N$			$P_N$ [HP]	$P_N$ [HP]	$P_N$ [HP]	$P_N$ [HP]	$P_N$ [HP]	$P_N$ [HP]	$P_N$ [HP]	$P_N$ [HP]	$P_N$ [HP]	$P_N$ [HP]	$P_N$ [HP]
50	---	Pt <sub>0.40</sub>	67	82	90	99	130	160	163	199	238	214	272
	FAN	P <sub>IF.40</sub>	39	44	50	51	72	80	87	114	143	182	214
	CC	P <sub>IC.20</sub>	95	101	106	99	112	116	279	405	549	598	646
56	---	Pt <sub>0.40</sub>	75	78	101	106	157	153	157	189	230	210	262
	FAN	P <sub>IF.40</sub>	38	41	48	54	71	76	83	108	138	177	205
	CC	P <sub>IC.20</sub>	94	95	101	106	111	110	268	384	528	581	617
63	---	Pt <sub>0.40</sub>	72	87	98	105	150	181	153	187	225	290	272
	FAN	P <sub>IF.40</sub>	37	42	46	47	67	76	78	103	128	157	193
	CC	P <sub>IC.20</sub>	90	96	98	91	106	110	252	364	491	529	586
71	---	Pt <sub>0.40</sub>	69	82	93	113	143	172	146	178	217	283	262
	FAN	P <sub>IF.40</sub>	35	39	44	50	63	72	75	97	123	153	185
	CC	P <sub>IC.20</sub>	86	91	92	98	99	104	242	346	473	515	560
80	---	Pt <sub>0.40</sub>	66	80	90	97	136	164	149	188	236	271	327
	FAN	P <sub>IF.40</sub>	33	38	42	42	60	67	67	88	109	141	158
	CC	P <sub>IC.20</sub>	83	88	89	83	94	98	217	313	424	472	487
90	---	Pt <sub>0.40</sub>	64	75	90	104	133	156	144	179	228	265	314
	FAN	P <sub>IF.40</sub>	32	36	42	46	58	64	64	83	105	137	152
	CC	P <sub>IC.20</sub>	79	83	89	89	91	93	209	298	409	460	468
100	---	Pt <sub>0.40</sub>	61	73	87	93	127	152	138	174	218	276	308
	FAN	P <sub>IF.40</sub>	31	35	40	41	55	62	61	80	99	120	146
	CC	P <sub>IC.20</sub>	76	81	86	80	87	90	197	285	384	409	448
112	---	Pt <sub>0.40</sub>	60	70	82	100	126	145	133	166	211	270	296
	FAN	P <sub>IF.40</sub>	29	33	36	44	53	59	59	76	95	118	140
	CC	P <sub>IC.20</sub>	72	76	77	86	83	85	190	272	371	399	430
125	---	Pt <sub>0.40</sub>	57	69	79	85	123	143	---	---	---	254	---
	FAN	P <sub>IF.40</sub>	28	32	35	35	51	56	---	---	---	109	---
	CC	P <sub>IC.20</sub>	69	73	74	69	80	82	---	---	---	370	---
140	---	Pt <sub>0.40</sub>	55	65	79	91	117	140	---	---	---	248	---
	FAN	P <sub>IF.40</sub>	27	30	35	38	48	54	---	---	---	106	---
	CC	P <sub>IC.20</sub>	66	70	74	74	76	79	---	---	---	361	---
160	---	Pt <sub>0.40</sub>	53	63	76	82	114	133	---	---	---	---	---
	FAN	P <sub>IF.40</sub>	26	29	34	34	46	52	---	---	---	---	---
	CC	P <sub>IC.20</sub>	64	68	72	67	72	75	---	---	---	---	---
180	---	Pt <sub>0.40</sub>	43	60	62	88	108	129	---	---	---	---	---
	FAN	P <sub>IF.40</sub>	20	28	27	37	44	49	---	---	---	---	---
	CC	P <sub>IC.20</sub>	51	64	57	72	69	71	---	---	---	---	---
200	---	Pt <sub>0.40</sub>	41	49	60	65	91	123	---	---	---	---	---
	FAN	P <sub>IF.40</sub>	20	22	26	27	36	47	---	---	---	---	---
	CC	P <sub>IC.20</sub>	49	51	55	52	56	68	---	---	---	---	---
224	---	Pt <sub>0.40</sub>	40	47	58	69	87	102	---	---	---	---	---
	FAN	P <sub>IF.40</sub>	19	21	25	28	34	38	---	---	---	---	---
	CC	P <sub>IC.20</sub>	48	49	53	56	54	55	---	---	---	---	---
250	---	Pt <sub>0.40</sub>	39	46	56	60	84	98	---	---	---	---	---
	FAN	P <sub>IF.40</sub>	18	21	24	25	33	36	---	---	---	---	---
	CC	P <sub>IC.20</sub>	46	48	52	49	51	53	---	---	---	---	---
280	---	Pt <sub>0.40</sub>	38	44	56	64	80	94	---	---	---	---	---
	FAN	P <sub>IF.40</sub>	18	20	24	26	32	35	---	---	---	---	---
	CC	P <sub>IC.20</sub>	45	46	51	52	50	51	---	---	---	---	---
315	---	Pt <sub>0.40</sub>	36	43	54	58	79	91	---	---	---	---	---
	FAN	P <sub>IF.40</sub>	17	19	24	24	31	34	---	---	---	---	---
	CC	P <sub>IC.20</sub>	43	45	50	47	48	49	---	---	---	---	---
355	---	Pt <sub>0.40</sub>	---	41	---	62	76	89	---	---	---	---	---
	FAN	P <sub>IF.40</sub>	---	19	---	25	30	33	---	---	---	---	---
	CC	P <sub>IC.20</sub>	---	43	---	50	47	48	---	---	---	---	---
400	---	Pt <sub>0.40</sub>	---	---	---	---	85	---	---	---	---	---	---
	FAN	P <sub>IF.40</sub>	---	---	---	---	32	---	---	---	---	---	---
	CC	P <sub>IC.20</sub>	---	---	---	---	46	---	---	---	---	---	---
450	---	Pt <sub>0.40</sub>	---	---	---	---	---	---	---	---	---	---	---
	FAN	P <sub>IF.40</sub>	---	---	---	---	---	---	---	---	---	---	---
	CC	P <sub>IC.20</sub>	---	---	---	---	---	---	---	---	---	---	---

Thermal Ratings

# Thermal Ratings

## M5 Mounting - 1500 rpm

### @ 20°C = 68°F



Nom. Ratio	Cooling Type		SK 5207/ SK 5307	SK 6207/ SK 6307	SK 7207/ SK 7307	SK 8207/ SK 8307	SK 9207/ SK 9307	SK 10207/ SK 10307	SK 11207/ SK 11307	SK 12207/ SK 12307	SK 13207/ SK 13307	SK 14207/ SK 14307	SK 15207/ SK 15307
			Thermal Power										
			P <sub>N</sub> [HP]	P <sub>N</sub> [HP]	P <sub>N</sub> [HP]	P <sub>N</sub> [HP]	P <sub>N</sub> [HP]	P <sub>N</sub> [HP]	P <sub>N</sub> [HP]	P <sub>N</sub> [HP]	P <sub>N</sub> [HP]	P <sub>N</sub> [HP]	P <sub>N</sub> [HP]
5.6	---	P <sub>t0.20</sub>	---	---	---	---	---	---	*	*	*	---	*
	FAN	P <sub>f0.20</sub>	---	---	---	---	---	---	*	*	*	---	*
	CC	P <sub>c0.20</sub>	---	---	---	---	---	---	*	*	*	---	*
6.3	---	P <sub>t0.20</sub>	---	---	---	---	---	---	*	*	*	---	*
	FAN	P <sub>f0.20</sub>	---	---	---	---	---	---	*	*	*	---	*
	CC	P <sub>c0.20</sub>	---	---	---	---	---	---	*	*	*	---	*
7.1	---	P <sub>t0.20</sub>	6	---	*	---	*	---	*	*	*	*	*
	FAN	P <sub>f0.20</sub>	151	---	81	---	*	---	*	*	*	*	*
	CC	P <sub>c0.20</sub>	291	---	237	---	*	---	*	*	*	*	*
8	---	P <sub>t0.20</sub>	16	30	*	*	*	*	*	*	*	*	*
	FAN	P <sub>f0.20</sub>	139	161	100	128	*	*	*	*	*	*	*
	CC	P <sub>c0.20</sub>	271	295	245	244	*	*	*	*	*	*	*
9	---	P <sub>t0.20</sub>	81	42	15	*	*	*	*	*	*	*	*
	FAN	P <sub>f0.20</sub>	119	146	187	154	18	*	*	*	*	*	*
	CC	P <sub>c0.20</sub>	242	270	312	280	130	*	74	*	*	*	*
10	---	P <sub>t0.20</sub>	82	108	30	61	0	*	*	*	*	*	*
	FAN	P <sub>f0.20</sub>	112	129	174	164	50	113	*	*	*	*	*
	CC	P <sub>c0.20</sub>	228	248	293	261	148	185	128	*	*	*	*
11.2	---	P <sub>t0.20</sub>	113	107	112	78	*	*	*	*	*	*	*
	FAN	P <sub>f0.20</sub>	105	119	145	177	223	137	*	*	*	*	*
	CC	P <sub>c0.20</sub>	217	229	254	284	298	201	438	458	233	*	*
12.5	---	P <sub>t0.20</sub>	110	141	115	137	*	27	*	*	*	*	*
	FAN	P <sub>f0.20</sub>	99	115	139	135	223	269	*	*	*	*	*
	CC	P <sub>c0.20</sub>	204	223	243	220	292	323	435	460	288	*	*
14	---	P <sub>t0.20</sub>	126	135	155	155	121	49	*	*	*	*	*
	FAN	P <sub>f0.20</sub>	95	107	125	148	199	243	135	*	*	*	*
	CC	P <sub>c0.20</sub>	196	206	221	241	262	293	571	697	731	254	*
16	---	P <sub>t0.20</sub>	121	153	153	170	122	180	*	*	*	*	*
	FAN	P <sub>f0.20</sub>	89	104	120	118	185	208	144	*	*	*	*
	CC	P <sub>c0.20</sub>	185	202	212	193	244	254	552	666	724	309	*
18	---	P <sub>t0.20</sub>	129	145	173	190	194	178	37	v	*	*	*
	FAN	P <sub>f0.20</sub>	83	96	109	129	166	193	236	252	146	*	*
	CC	P <sub>c0.20</sub>	173	187	193	211	220	236	584	800	956	805	407
20	---	P <sub>t0.20</sub>	123	153	168	183	187	245	47	*	*	*	*
	FAN	P <sub>f0.20</sub>	79	91	105	103	155	176	220	247	161	*	*
	CC	P <sub>c0.20</sub>	164	177	186	170	206	216	549	756	925	803	428
22.4	---	P <sub>t0.20</sub>	128	144	175	202	224	235	*	*	*	*	*
	FAN	P <sub>f0.20</sub>	74	85	94	113	140	164	66	*	*	317	*
	CC	P <sub>c0.20</sub>	155	165	168	186	187	202	391	467	477	1,056	*
25	---	P <sub>t0.20</sub>	122	151	170	182	214	269	*	*	*	*	*
	FAN	P <sub>f0.20</sub>	70	82	91	90	132	149	125	40	*	324	*
	CC	P <sub>c0.20</sub>	147	159	162	148	176	184	412	515	566	1,033	*
28	---	P <sub>t0.20</sub>	88	142	104	200	147	256	*	*	*	*	*
	FAN	P <sub>f0.20</sub>	60	76	76	98	118	140	123	44	*	*	*
	CC	P <sub>c0.20</sub>	125	148	135	162	157	173	397	490	550	543	*
31.5	---	P <sub>t0.20</sub>	84	105	102	116	141	185	112	87	*	*	*
	FAN	P <sub>f0.20</sub>	57	65	73	73	112	125	148	205	281	*	*
	CC	P <sub>c0.20</sub>	119	127	130	121	149	153	392	584	818	620	540
35.5	---	P <sub>t0.20</sub>	84	100	102	125	149	177	109	86	*	*	*
	FAN	P <sub>f0.20</sub>	55	62	68	79	104	118	141	193	274	*	*
	CC	P <sub>c0.20</sub>	114	120	122	130	138	145	374	550	789	609	525
40	---	P <sub>t0.20</sub>	81	100	100	113	142	183	124	117	68	102	*
	FAN	P <sub>f0.20</sub>	53	60	66	67	99	110	130	177	234	287	*
	CC	P <sub>c0.20</sub>	109	116	118	110	131	136	347	512	706	768	596
45	---	P <sub>t0.20</sub>	79	95	102	121	146	174	119	112	68	104	*
	FAN	P <sub>f0.20</sub>	50	56	65	71	95	105	124	167	224	278	*
	CC	P <sub>c0.20</sub>	105	110	117	118	126	129	332	484	677	745	575

\* Additional Cooling Necessary - Consult Factory



Nom. Ratio	Cooling Type		SK 5207/ SK 5307	SK 6207/ SK 6307	SK 7207/ SK 7307	SK 8207/ SK 8307	SK 9207/ SK 9307	SK 10207/ SK 10307	SK 11207/ SK 11307	SK 12207/ SK 12307	SK 13207/ SK 13307	SK 14207/ SK 14307	SK 15207/ SK 15307
	$i_N$		Thermal Power										
			$P_N$ [HP]	$P_N$ [HP]	$P_N$ [HP]	$P_N$ [HP]	$P_N$ [HP]	$P_N$ [HP]	$P_N$ [HP]	$P_N$ [HP]	$P_N$ [HP]	$P_N$ [HP]	$P_N$ [HP]
50	---	$P_{t0,20}$	76	94	99	112	140	177	177	207	235	153	208
	FAN	$P_{f,20}$	48	55	63	63	90	100	109	145	182	243	281
	CC	$P_{t,20}$	100	106	113	105	120	124	299	436	593	666	714
56	---	$P_{t0,20}$	89	89	119	120	184	169	170	196	228	151	202
	FAN	$P_{f,20}$	48	52	59	68	88	96	105	137	175	236	268
	CC	$P_{t,20}$	99	101	106	113	118	117	287	413	571	647	681
63	---	$P_{t0,20}$	85	103	115	125	175	213	167	198	230	301	232
	FAN	$P_{f,20}$	45	52	57	58	84	94	98	130	162	199	250
	CC	$P_{t,20}$	95	101	103	96	112	116	269	391	530	570	642
71	---	$P_{t0,20}$	82	98	110	134	168	203	160	188	222	295	224
	FAN	$P_{f,20}$	43	49	54	62	79	89	94	123	156	194	239
	CC	$P_{t,20}$	91	96	97	103	105	110	259	372	510	555	613
80	---	$P_{t0,20}$	79	95	107	115	160	194	172	214	265	288	355
	FAN	$P_{f,20}$	42	47	52	53	75	84	83	109	136	177	198
	CC	$P_{t,20}$	87	93	94	87	100	103	230	333	452	508	521
90	---	$P_{t0,20}$	76	90	107	124	157	185	166	204	256	282	342
	FAN	$P_{f,20}$	40	45	52	57	72	80	80	104	131	173	190
	CC	$P_{t,20}$	84	88	93	94	96	98	222	318	436	495	500
100	---	$P_{t0,20}$	73	88	103	111	149	181	159	199	247	315	339
	FAN	$P_{f,20}$	38	43	50	50	69	77	76	99	123	150	182
	CC	$P_{t,20}$	80	85	90	84	91	95	209	303	409	435	478
112	---	$P_{t0,20}$	72	83	98	120	151	172	153	190	238	308	326
	FAN	$P_{f,20}$	36	41	45	54	65	73	73	94	119	146	175
	CC	$P_{t,20}$	76	80	81	90	87	90	202	289	395	425	459
125	---	$P_{t0,20}$	69	83	95	102	147	172	---	---	---	292	---
	FAN	$P_{f,20}$	35	39	43	44	63	69	---	---	---	136	---
	CC	$P_{t,20}$	73	77	78	73	84	86	---	---	---	393	---
140	---	$P_{t0,20}$	66	79	95	110	140	168	---	---	---	285	---
	FAN	$P_{f,20}$	33	37	43	47	60	67	---	---	---	132	---
	CC	$P_{t,20}$	70	73	78	78	80	83	---	---	---	384	---
160	---	$P_{t0,20}$	64	77	92	99	137	160	---	---	---	---	---
	FAN	$P_{f,20}$	32	36	42	42	57	64	---	---	---	---	---
	CC	$P_{t,20}$	67	71	75	70	76	79	---	---	---	---	---
180	---	$P_{t0,20}$	52	73	75	106	131	156	---	---	---	---	---
	FAN	$P_{f,20}$	25	34	33	45	54	61	---	---	---	---	---
	CC	$P_{t,20}$	53	67	60	75	72	75	---	---	---	---	---
200	---	$P_{t0,20}$	50	59	73	79	110	148	---	---	---	---	---
	FAN	$P_{f,20}$	24	27	32	33	44	58	---	---	---	---	---
	CC	$P_{t,20}$	51	54	58	55	59	71	---	---	---	---	---
224	---	$P_{t0,20}$	49	57	70	83	106	124	---	---	---	---	---
	FAN	$P_{f,20}$	24	26	31	35	42	47	---	---	---	---	---
	CC	$P_{t,20}$	50	51	56	58	56	58	---	---	---	---	---
250	---	$P_{t0,20}$	47	56	68	73	102	120	---	---	---	---	---
	FAN	$P_{f,20}$	23	26	30	31	40	45	---	---	---	---	---
	CC	$P_{t,20}$	48	50	54	51	54	55	---	---	---	---	---
280	---	$P_{t0,20}$	46	53	68	78	98	115	---	---	---	---	---
	FAN	$P_{f,20}$	22	25	30	32	39	43	---	---	---	---	---
	CC	$P_{t,20}$	47	48	54	54	52	53	---	---	---	---	---
315	---	$P_{t0,20}$	44	52	66	71	96	110	---	---	---	---	---
	FAN	$P_{f,20}$	21	24	29	30	38	41	---	---	---	---	---
	CC	$P_{t,20}$	45	47	52	49	51	51	---	---	---	---	---
355	---	$P_{t0,20}$	---	50	---	75	92	108	---	---	---	---	---
	FAN	$P_{f,20}$	---	23	---	31	37	40	---	---	---	---	---
	CC	$P_{t,20}$	---	45	---	52	49	50	---	---	---	---	---
400	---	$P_{t0,20}$	---	---	---	---	104	---	---	---	---	---	---
	FAN	$P_{f,20}$	---	---	---	---	39	---	---	---	---	---	---
	CC	$P_{t,20}$	---	---	---	---	48	---	---	---	---	---	---
450	---	$P_{t0,20}$	---	---	---	---	---	---	---	---	---	---	---
	FAN	$P_{f,20}$	---	---	---	---	---	---	---	---	---	---	---
	CC	$P_{t,20}$	---	---	---	---	---	---	---	---	---	---	---

Thermal Ratings

# Thermal Ratings

## M5 Mounting - 1500 rpm

### @ 40°C = 104°F



Thermal Ratings

Nom. Ratio	Cooling Type		SK 5207/ SK 5307	SK 6207/ SK 6307	SK 7207/ SK 7307	SK 8207/ SK 8307	SK 9207/ SK 9307	SK 10207/ SK 10307	SK 11207/ SK 11307	SK 12207/ SK 12307	SK 13207/ SK 13307	SK 14207/ SK 14307	SK 15207/ SK 15307
			Thermal Power										P <sub>N</sub>
i <sub>n</sub>			P <sub>N</sub>	P <sub>N</sub>	P <sub>N</sub>	P <sub>N</sub>	P <sub>N</sub>	P <sub>N</sub>	P <sub>N</sub>	P <sub>N</sub>	P <sub>N</sub>	P <sub>N</sub>	P <sub>N</sub>
			[HP]	[HP]	[HP]	[HP]	[HP]	[HP]	[HP]	[HP]	[HP]	[HP]	[HP]
5.6	---	P <sub>t0.40</sub>	---	---	---	---	---	---	*	*	*	---	*
	FAN	P <sub>f0.40</sub>	---	---	---	---	---	---	*	*	*	---	*
	CC	P <sub>c0.20</sub>	---	---	---	---	---	---	*	*	*	---	*
6.3	---	P <sub>t0.40</sub>	---	---	---	---	---	---	*	*	*	---	*
	FAN	P <sub>f0.40</sub>	---	---	---	---	---	---	*	*	*	---	*
	CC	P <sub>c0.20</sub>	---	---	---	---	---	---	*	*	*	---	*
7.1	---	P <sub>t0.40</sub>	*	---	*	---	*	---	*	*	*	*	*
	FAN	P <sub>f0.40</sub>	94	---	*	---	*	---	*	*	*	*	*
	CC	P <sub>c0.20</sub>	262	---	180	---	*	---	*	*	*	*	*
8	---	P <sub>t0.40</sub>	*	*	*	*	*	*	*	*	*	*	*
	FAN	P <sub>f0.40</sub>	97	122	*	20	*	*	*	*	*	*	*
	CC	P <sub>c0.20</sub>	254	285	191	188	*	*	*	*	*	*	*
9	---	P <sub>t0.40</sub>	38	0	0	0	*	*	*	*	*	*	*
	FAN	P <sub>f0.40</sub>	110	125	120	40	*	*	*	*	*	*	*
	CC	P <sub>c0.20</sub>	255	275	279	219	19	*	*	*	*	*	*
10	---	P <sub>t0.40</sub>	42	61	*	*	*	*	*	*	*	*	*
	FAN	P <sub>f0.40</sub>	103	118	127	149	*	*	*	*	*	*	*
	CC	P <sub>c0.20</sub>	239	259	278	275	52	71	*	*	*	*	*
11.2	---	P <sub>t0.40</sub>	79	64	54	*	*	*	*	*	*	*	*
	FAN	P <sub>f0.40</sub>	93	108	135	172	104	*	*	*	*	*	*
	CC	P <sub>c0.20</sub>	224	239	270	310	224	103	349	336	2	*	*
12.5	---	P <sub>t0.40</sub>	77	101	60	83	*	*	*	*	*	*	*
	FAN	P <sub>f0.40</sub>	88	102	128	123	114	171	*	*	*	*	*
	CC	P <sub>c0.20</sub>	211	230	257	232	224	269	352	348	91	*	*
14	---	P <sub>t0.40</sub>	95	98	109	97	31	*	*	*	*	*	*
	FAN	P <sub>f0.40</sub>	83	94	112	134	193	177	*	*	*	*	*
	CC	P <sub>c0.20</sub>	202	213	230	253	290	267	498	601	599	*	*
16	---	P <sub>t0.40</sub>	92	118	109	126	42	91	*	*	*	*	*
	FAN	P <sub>f0.40</sub>	79	91	107	105	177	193	*	*	*	*	*
	CC	P <sub>c0.20</sub>	190	207	220	201	267	273	483	577	600	72	*
18	---	P <sub>t0.40</sub>	102	112	134	141	130	97	*	*	*	*	*
	FAN	P <sub>f0.40</sub>	73	85	96	115	149	178	163	87	*	*	*
	CC	P <sub>c0.20</sub>	177	192	200	220	231	252	561	721	852	650	182
20	---	P <sub>t0.40</sub>	98	123	131	145	127	175	*	*	*	*	*
	FAN	P <sub>f0.40</sub>	69	79	92	91	140	157	162	95	*	*	*
	CC	P <sub>c0.20</sub>	168	182	192	176	216	226	538	682	826	656	224
22.4	---	P <sub>t0.40</sub>	104	116	141	160	171	169	*	*	*	*	*
	FAN	P <sub>f0.40</sub>	65	74	83	99	124	147	*	*	*	58	*
	CC	P <sub>c0.20</sub>	159	169	173	192	194	211	338	397	379	933	*
25	---	P <sub>t0.40</sub>	99	124	138	149	164	211	*	*	*	*	*
	FAN	P <sub>f0.40</sub>	61	71	80	79	117	132	16	*	*	82	*
	CC	P <sub>c0.20</sub>	150	163	166	153	182	191	364	451	480	915	*
28	---	P <sub>t0.40</sub>	68	116	77	163	101	201	*	*	*	*	*
	FAN	P <sub>f0.40</sub>	52	66	66	86	106	124	20	*	*	*	*
	CC	P <sub>c0.20</sub>	128	152	139	166	164	179	350	429	467	432	*
31.5	---	P <sub>t0.40</sub>	66	83	76	89	98	135	44	*	*	*	*
	FAN	P <sub>f0.40</sub>	50	57	64	64	101	111	141	192	143	*	*
	CC	P <sub>c0.20</sub>	122	130	134	125	156	160	417	615	745	524	410
35.5	---	P <sub>t0.40</sub>	66	79	78	96	109	130	45	*	*	*	*
	FAN	P <sub>f0.40</sub>	48	54	60	69	93	105	134	183	142	*	*
	CC	P <sub>c0.20</sub>	117	123	125	134	144	152	398	583	719	515	401
40	---	P <sub>t0.40</sub>	64	80	76	88	105	139	67	31	*	*	*
	FAN	P <sub>f0.40</sub>	46	52	58	58	88	98	121	174	184	244	*
	CC	P <sub>c0.20</sub>	112	119	121	113	137	141	365	547	709	788	484
45	---	P <sub>t0.40</sub>	63	76	79	95	110	133	65	32	*	*	*
	FAN	P <sub>f0.40</sub>	44	49	57	62	84	93	115	163	180	242	*
	CC	P <sub>c0.20</sub>	107	113	120	121	131	134	349	516	684	770	468

\* Additional Cooling Necessary - Consult Factory



Nom. Ratio	Cooling Type		SK 5207/ SK 5307	SK 6207/ SK 6307	SK 7207/ SK 7307	SK 8207/ SK 8307	SK 9207/ SK 9307	SK 10207/ SK 10307	SK 11207/ SK 11307	SK 12207/ SK 12307	SK 13207/ SK 13307	SK 14207/ SK 14307	SK 15207/ SK 15307
			Thermal Power										
$i_N$			$P_N$ [HP]	$P_N$ [HP]	$P_N$ [HP]	$P_N$ [HP]	$P_N$ [HP]	$P_N$ [HP]	$P_N$ [HP]	$P_N$ [HP]	$P_N$ [HP]	$P_N$ [HP]	$P_N$ [HP]
50	---	Pt <sub>0.40</sub>	61	76	77	88	105	138	132	147	156	26	66
	FAN	P <sub>IF.40</sub>	42	47	55	55	80	89	98	131	166	244	273
	CC	P <sub>IC.20</sub>	103	109	116	108	125	128	310	452	616	720	764
56	---	Pt <sub>0.40</sub>	74	72	98	95	152	131	127	140	151	29	69
	FAN	P <sub>IF.40</sub>	41	45	52	59	77	85	93	123	159	236	259
	CC	P <sub>IC.20</sub>	101	103	109	116	121	122	297	428	592	699	728
63	---	Pt <sub>0.40</sub>	71	86	95	104	144	177	127	145	160	216	113
	FAN	P <sub>IF.40</sub>	39	45	50	50	73	82	88	117	147	180	235
	CC	P <sub>IC.20</sub>	97	103	105	98	115	119	278	405	549	592	677
71	---	Pt <sub>0.40</sub>	68	82	91	111	139	168	122	138	155	212	111
	FAN	P <sub>IF.40</sub>	38	42	47	54	69	78	84	111	141	175	225
	CC	P <sub>IC.20</sub>	93	98	99	105	108	113	267	384	529	576	647
80	---	Pt <sub>0.40</sub>	65	79	88	96	133	162	139	171	208	212	269
	FAN	P <sub>IF.40</sub>	36	41	45	46	65	73	74	97	121	160	177
	CC	P <sub>IC.20</sub>	89	95	96	89	103	106	237	343	465	527	538
90	---	Pt <sub>0.40</sub>	63	75	89	103	130	154	134	163	201	208	259
	FAN	P <sub>IF.40</sub>	35	39	45	49	63	70	71	92	117	156	170
	CC	P <sub>IC.20</sub>	85	89	95	96	99	101	228	327	449	513	516
100	---	Pt <sub>0.40</sub>	60	73	86	93	124	151	129	159	195	253	260
	FAN	P <sub>IF.40</sub>	33	38	44	44	60	67	67	88	110	133	162
	CC	P <sub>IC.20</sub>	82	87	92	86	94	97	216	312	421	448	494
112	---	Pt <sub>0.40</sub>	60	70	83	100	127	144	125	152	188	247	250
	FAN	P <sub>IF.40</sub>	31	36	39	47	57	64	64	84	106	130	156
	CC	P <sub>IC.20</sub>	77	82	82	92	89	93	208	297	407	438	474
125	---	Pt <sub>0.40</sub>	58	70	80	87	124	146	---	---	---	235	---
	FAN	P <sub>IF.40</sub>	30	34	38	38	55	61	---	---	---	121	---
	CC	P <sub>IC.20</sub>	74	79	80	74	86	88	---	---	---	405	---
140	---	Pt <sub>0.40</sub>	56	66	80	93	118	142	---	---	---	230	---
	FAN	P <sub>IF.40</sub>	29	32	37	41	52	59	---	---	---	118	---
	CC	P <sub>IC.20</sub>	71	74	79	80	82	85	---	---	---	396	---
160	---	Pt <sub>0.40</sub>	54	65	78	83	116	135	---	---	---	---	---
	FAN	P <sub>IF.40</sub>	28	31	36	36	50	56	---	---	---	---	---
	CC	P <sub>IC.20</sub>	68	72	77	71	78	81	---	---	---	---	---
180	---	Pt <sub>0.40</sub>	44	61	63	90	111	133	---	---	---	---	---
	FAN	P <sub>IF.40</sub>	22	30	29	39	47	53	---	---	---	---	---
	CC	P <sub>IC.20</sub>	54	69	61	77	74	77	---	---	---	---	---
200	---	Pt <sub>0.40</sub>	43	50	62	67	94	126	---	---	---	---	---
	FAN	P <sub>IF.40</sub>	21	23	28	28	38	50	---	---	---	---	---
	CC	P <sub>IC.20</sub>	52	55	59	56	60	73	---	---	---	---	---
224	---	Pt <sub>0.40</sub>	41	48	59	71	91	107	---	---	---	---	---
	FAN	P <sub>IF.40</sub>	20	22	27	30	37	41	---	---	---	---	---
	CC	P <sub>IC.20</sub>	51	52	57	59	58	59	---	---	---	---	---
250	---	Pt <sub>0.40</sub>	40	47	58	62	87	102	---	---	---	---	---
	FAN	P <sub>IF.40</sub>	20	22	26	26	35	39	---	---	---	---	---
	CC	P <sub>IC.20</sub>	49	51	55	52	55	57	---	---	---	---	---
280	---	Pt <sub>0.40</sub>	39	45	57	66	83	98	---	---	---	---	---
	FAN	P <sub>IF.40</sub>	19	21	26	28	34	38	---	---	---	---	---
	CC	P <sub>IC.20</sub>	47	49	55	55	53	55	---	---	---	---	---
315	---	Pt <sub>0.40</sub>	38	44	56	60	82	94	---	---	---	---	---
	FAN	P <sub>IF.40</sub>	18	21	25	25	33	36	---	---	---	---	---
	CC	P <sub>IC.20</sub>	46	48	53	50	52	53	---	---	---	---	---
355	---	Pt <sub>0.40</sub>	---	43	---	64	79	93	---	---	---	---	---
	FAN	P <sub>IF.40</sub>	---	20	---	27	32	35	---	---	---	---	---
	CC	P <sub>IC.20</sub>	---	46	---	53	50	51	---	---	---	---	---
400	---	Pt <sub>0.40</sub>	---	---	---	---	---	89	---	---	---	---	---
	FAN	P <sub>IF.40</sub>	---	---	---	---	---	34	---	---	---	---	---
	CC	P <sub>IC.20</sub>	---	---	---	---	---	49	---	---	---	---	---
450	---	Pt <sub>0.40</sub>	---	---	---	---	---	---	---	---	---	---	---
	FAN	P <sub>IF.40</sub>	---	---	---	---	---	---	---	---	---	---	---
	CC	P <sub>IC.20</sub>	---	---	---	---	---	---	---	---	---	---	---

Thermal Ratings

# Thermal Ratings

## M5 Mounting - 1800 rpm

### @ 20°C = 68°F

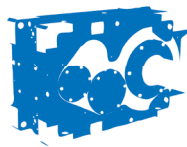


Thermal Ratings

Nom. Ratio	Cooling Type		SK 5207/ SK 5307	SK 6207/ SK 6307	SK 7207/ SK 7307	SK 8207/ SK 8307	SK 9207/ SK 9307	SK 10207/ SK 10307	SK 11207/ SK 11307	SK 12207/ SK 12307	SK 13207/ SK 13307	SK 14207/ SK 14307	SK 15207/ SK 15307
			Thermal Power										
$i_n$			$P_N$ [HP]	$P_N$ [HP]	$P_N$ [HP]	$P_N$ [HP]	$P_N$ [HP]	$P_N$ [HP]	$P_N$ [HP]	$P_N$ [HP]	$P_N$ [HP]	$P_N$ [HP]	$P_N$ [HP]
5.6	---	$P_{t_{0.20}}$	---	---	---	---	---	---	*	*	*	---	*
	FAN	$P_{f_{0.20}}$	---	---	---	---	---	---	*	*	*	---	*
	CC	$P_{c_{0.20}}$	---	---	---	---	---	---	*	*	*	---	*
6.3	---	$P_{t_{0.20}}$	---	---	---	---	---	---	*	*	*	---	*
	FAN	$P_{f_{0.20}}$	---	---	---	---	---	---	*	*	*	---	*
	CC	$P_{c_{0.20}}$	---	---	---	---	---	---	*	*	*	---	*
7.1	---	$P_{t_{0.20}}$	*	---	*	---	*	---	*	*	*	*	*
	FAN	$P_{f_{0.20}}$	44	---	*	---	*	---	*	*	*	*	*
	CC	$P_{c_{0.20}}$	214	---	1	---	*	---	*	*	*	*	*
8	---	$P_{t_{0.20}}$	*	*	*	*	*	*	*	*	*	*	*
	FAN	$P_{f_{0.20}}$	57	76	*	*	*	*	*	*	*	*	*
	CC	$P_{c_{0.20}}$	213	236	39	43	*	*	*	*	*	*	*
9	---	$P_{t_{0.20}}$	*	*	*	*	*	*	*	*	*	*	*
	FAN	$P_{f_{0.20}}$	142	90	50	*	*	*	*	*	*	*	*
	CC	$P_{c_{0.20}}$	279	235	210	73	*	*	*	*	*	*	*
10	---	$P_{t_{0.20}}$	3	20	*	*	*	*	*	*	*	*	*
	FAN	$P_{f_{0.20}}$	138	157	70	104	*	*	*	*	*	*	*
	CC	$P_{c_{0.20}}$	266	288	218	221	*	*	*	*	*	*	*
11.2	---	$P_{t_{0.20}}$	65	30	*	*	*	*	*	*	*	*	*
	FAN	$P_{f_{0.20}}$	119	144	179	128	*	*	*	*	*	*	*
	CC	$P_{c_{0.20}}$	241	264	302	254	70	*	*	*	*	*	*
12.5	---	$P_{t_{0.20}}$	66	93	3	39	*	*	*	*	*	*	*
	FAN	$P_{f_{0.20}}$	112	128	178	166	*	51	*	*	*	*	*
	CC	$P_{c_{0.20}}$	226	245	296	261	93	132	25	*	*	*	*
14	---	$P_{t_{0.20}}$	96	92	93	53	*	*	*	*	*	*	*
	FAN	$P_{f_{0.20}}$	104	118	143	179	190	82	*	*	*	*	*
	CC	$P_{c_{0.20}}$	213	226	248	283	263	151	340	313	*	*	*
16	---	$P_{t_{0.20}}$	94	122	96	120	*	*	*	*	*	*	*
	FAN	$P_{f_{0.20}}$	98	113	136	132	190	263	*	*	*	*	*
	CC	$P_{c_{0.20}}$	201	218	237	215	259	316	341	323	76	*	*
18	---	$P_{t_{0.20}}$	111	118	139	136	98	11	*	*	*	*	*
	FAN	$P_{f_{0.20}}$	90	105	120	144	193	249	72	*	*	*	*
	CC	$P_{c_{0.20}}$	186	203	211	235	253	299	499	601	631	43	*
20	---	$P_{t_{0.20}}$	107	136	138	156	100	156	*	*	*	*	*
	FAN	$P_{f_{0.20}}$	85	98	115	113	179	200	84	*	*	*	*
	CC	$P_{c_{0.20}}$	176	190	203	185	235	244	483	575	626	112	*
22.4	---	$P_{t_{0.20}}$	119	129	158	173	176	154	*	*	*	*	*
	FAN	$P_{f_{0.20}}$	80	91	102	123	155	186	*	*	*	*	*
	CC	$P_{c_{0.20}}$	166	177	181	202	206	227	208	166	*	716	*
25	---	$P_{t_{0.20}}$	113	142	154	169	169	224	*	*	*	*	*
	FAN	$P_{f_{0.20}}$	75	87	98	97	146	164	*	*	*	*	*
	CC	$P_{c_{0.20}}$	157	169	174	160	193	202	272	286	170	714	*
28	---	$P_{t_{0.20}}$	73	134	76	186	83	215	*	*	*	*	*
	FAN	$P_{f_{0.20}}$	65	81	83	106	136	154	*	*	*	*	*
	CC	$P_{c_{0.20}}$	135	158	147	174	179	189	264	276	175	*	*
31.5	---	$P_{t_{0.20}}$	70	91	74	92	81	126	*	*	*	*	*
	FAN	$P_{f_{0.20}}$	62	70	80	80	129	141	167	134	*	*	*
	CC	$P_{c_{0.20}}$	129	136	142	132	169	172	444	575	660	232	*
35.5	---	$P_{t_{0.20}}$	72	87	80	99	103	122	*	*	*	*	*
	FAN	$P_{f_{0.20}}$	59	67	75	86	117	133	162	132	*	*	*
	CC	$P_{c_{0.20}}$	123	129	132	141	155	163	427	546	639	236	*
40	---	$P_{t_{0.20}}$	69	89	79	94	99	141	13	*	*	*	*
	FAN	$P_{f_{0.20}}$	57	64	72	72	111	122	169	174	95	141	*
	CC	$P_{c_{0.20}}$	118	125	128	119	147	150	413	557	655	716	137
45	---	$P_{t_{0.20}}$	69	85	83	101	109	135	15	*	*	*	*
	FAN	$P_{f_{0.20}}$	54	61	71	77	106	116	160	166	96	145	*
	CC	$P_{c_{0.20}}$	112	118	126	127	140	142	394	528	633	701	142

\* Additional Cooling Necessary - Consult Factory





Nom. Ratio	Cooling Type		SK 5207/ SK 5307	SK 6207/ SK 6307	SK 7207/ SK 7307	SK 8207/ SK 8307	SK 9207/ SK 9307	SK 10207/ SK 10307	SK 11207/ SK 11307	SK 12207/ SK 12307	SK 13207/ SK 13307	SK 14207/ SK 14307	SK 15207/ SK 15307
			Thermal Power										
$i_N$			$P_N$ [HP]	$P_N$ [HP]	$P_N$ [HP]	$P_N$ [HP]	$P_N$ [HP]	$P_N$ [HP]	$P_N$ [HP]	$P_N$ [HP]	$P_N$ [HP]	$P_N$ [HP]	$P_N$ [HP]
50	---	Pt <sub>0.20</sub>	67	85	81	96	105	144	133	133	118	*	*
	FAN	P <sub>IF.20</sub>	52	59	69	69	101	111	122	165	214	213	278
	CC	P <sub>IC.20</sub>	107	114	122	113	133	136	329	485	668	704	775
56	---	Pt <sub>0.20</sub>	86	81	114	103	174	138	128	128	116	*	*
	FAN	P <sub>IF.20</sub>	51	55	63	73	95	105	117	156	206	211	272
	CC	P <sub>IC.20</sub>	106	108	113	121	127	129	316	459	642	688	745
63	---	Pt <sub>0.20</sub>	83	101	110	121	166	205	131	139	137	196	*
	FAN	P <sub>IF.20</sub>	48	55	61	62	90	101	109	147	188	228	315
	CC	P <sub>IC.20</sub>	101	108	110	102	120	125	295	433	592	636	758
71	---	Pt <sub>0.20</sub>	80	96	106	130	161	195	127	132	133	194	*
	FAN	P <sub>IF.20</sub>	46	52	58	66	85	96	105	139	180	222	304
	CC	P <sub>IC.20</sub>	97	102	103	109	113	118	284	411	570	619	727
80	---	Pt <sub>0.20</sub>	77	93	103	113	153	189	157	189	225	205	273
	FAN	P <sub>IF.20</sub>	44	50	56	56	80	90	91	119	150	201	221
	CC	P <sub>IC.20</sub>	92	98	100	93	107	111	249	361	491	564	571
90	---	Pt <sub>0.20</sub>	74	89	103	121	151	179	151	180	218	201	264
	FAN	P <sub>IF.20</sub>	42	48	55	60	77	85	87	114	144	196	212
	CC	P <sub>IC.20</sub>	89	93	99	100	103	105	240	344	474	550	548
100	---	Pt <sub>0.20</sub>	71	87	100	109	144	176	147	177	213	281	270
	FAN	P <sub>IF.20</sub>	41	46	53	54	74	82	82	108	135	164	202
	CC	P <sub>IC.20</sub>	85	90	96	89	98	101	226	328	444	472	523
112	---	Pt <sub>0.20</sub>	72	82	99	118	150	168	141	169	206	275	260
	FAN	P <sub>IF.20</sub>	38	44	48	58	70	78	79	103	131	160	193
	CC	P <sub>IC.20</sub>	80	85	85	96	93	96	218	313	429	461	502
125	---	Pt <sub>0.20</sub>	69	83	96	103	147	173	---	---	---	263	---
	FAN	P <sub>IF.20</sub>	37	42	46	46	67	74	---	---	---	148	---
	CC	P <sub>IC.20</sub>	77	82	83	77	90	91	---	---	---	427	---
140	---	Pt <sub>0.20</sub>	67	79	95	111	140	169	---	---	---	257	---
	FAN	P <sub>IF.20</sub>	35	39	46	50	64	72	---	---	---	145	---
	CC	P <sub>IC.20</sub>	74	77	82	83	86	88	---	---	---	417	---
160	---	Pt <sub>0.20</sub>	64	77	92	100	138	161	---	---	---	---	---
	FAN	P <sub>IF.20</sub>	34	38	44	45	61	68	---	---	---	---	---
	CC	P <sub>IC.20</sub>	71	75	79	74	81	84	---	---	---	---	---
180	---	Pt <sub>0.20</sub>	53	73	76	107	132	158	---	---	---	---	---
	FAN	P <sub>IF.20</sub>	26	36	35	48	58	65	---	---	---	---	---
	CC	P <sub>IC.20</sub>	56	71	63	80	77	80	---	---	---	---	---
200	---	Pt <sub>0.20</sub>	51	60	74	80	113	151	---	---	---	---	---
	FAN	P <sub>IF.20</sub>	25	29	34	35	47	62	---	---	---	---	---
	CC	P <sub>IC.20</sub>	54	56	61	58	62	76	---	---	---	---	---
224	---	Pt <sub>0.20</sub>	50	58	71	85	109	128	---	---	---	---	---
	FAN	P <sub>IF.20</sub>	25	27	33	37	45	50	---	---	---	---	---
	CC	P <sub>IC.20</sub>	52	54	59	61	60	61	---	---	---	---	---
250	---	Pt <sub>0.20</sub>	48	57	69	75	104	123	---	---	---	---	---
	FAN	P <sub>IF.20</sub>	24	27	32	32	43	48	---	---	---	---	---
	CC	P <sub>IC.20</sub>	50	53	57	54	57	59	---	---	---	---	---
280	---	Pt <sub>0.20</sub>	47	55	69	79	100	118	---	---	---	---	---
	FAN	P <sub>IF.20</sub>	23	26	32	34	41	46	---	---	---	---	---
	CC	P <sub>IC.20</sub>	49	51	57	57	55	56	---	---	---	---	---
315	---	Pt <sub>0.20</sub>	45	53	67	73	98	114	---	---	---	---	---
	FAN	P <sub>IF.20</sub>	22	25	31	31	40	44	---	---	---	---	---
	CC	P <sub>IC.20</sub>	47	50	55	52	54	54	---	---	---	---	---
355	---	Pt <sub>0.20</sub>	---	51	---	77	95	111	---	---	---	---	---
	FAN	P <sub>IF.20</sub>	---	24	---	33	39	43	---	---	---	---	---
	CC	P <sub>IC.20</sub>	---	47	---	55	52	53	---	---	---	---	---
400	---	Pt <sub>0.20</sub>	---	---	---	---	---	107	---	---	---	---	---
	FAN	P <sub>IF.20</sub>	---	---	---	---	---	41	---	---	---	---	---
	CC	P <sub>IC.20</sub>	---	---	---	---	---	51	---	---	---	---	---
450	---	Pt <sub>0.20</sub>	---	---	---	---	---	---	---	---	---	---	---
	FAN	P <sub>IF.20</sub>	---	---	---	---	---	---	---	---	---	---	---
	CC	P <sub>IC.20</sub>	---	---	---	---	---	---	---	---	---	---	---

Thermal Ratings

# Thermal Ratings

## M5 Mounting - 1800 rpm

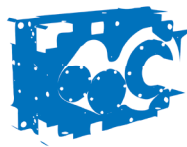
### @ 40°C = 104°F



Thermal Ratings

Nom. Ratio	Cooling Type		SK 5207/ SK 5307	SK 6207/ SK 6307	SK 7207/ SK 7307	SK 8207/ SK 8307	SK 9207/ SK 9307	SK 10207/ SK 10307	SK 11207/ SK 11307	SK 12207/ SK 12307	SK 13207/ SK 13307	SK 14207/ SK 14307	SK 15207/ SK 15307
			Thermal Power										
$i_n$			$P_N$ [HP]	$P_N$ [HP]	$P_N$ [HP]	$P_N$ [HP]	$P_N$ [HP]	$P_N$ [HP]	$P_N$ [HP]	$P_N$ [HP]	$P_N$ [HP]	$P_N$ [HP]	$P_N$ [HP]
5.6	---	$P_{t_{0.40}}$	---	---	---	---	---	---	*	*	*	---	*
	FAN	$P_{f_{0.40}}$	---	---	---	---	---	---	*	*	*	---	*
	CC	$P_{c_{0.20}}$	---	---	---	---	---	---	*	*	*	---	*
6.3	---	$P_{t_{0.40}}$	---	---	---	---	---	---	*	*	*	---	*
	FAN	$P_{f_{0.40}}$	---	---	---	---	---	---	*	*	*	---	*
	CC	$P_{c_{0.20}}$	---	---	---	---	---	---	*	*	*	---	*
7.1	---	$P_{t_{0.40}}$	*	---	*	---	*	---	*	*	*	*	*
	FAN	$P_{f_{0.40}}$	*	---	*	---	*	---	*	*	*	*	*
	CC	$P_{c_{0.20}}$	175	---	*	---	*	---	*	*	*	*	*
8	---	$P_{t_{0.40}}$	*	*	*	*	*	*	*	*	*	*	*
	FAN	$P_{f_{0.40}}$	*	*	*	*	*	*	*	*	*	*	*
	CC	$P_{c_{0.20}}$	177	190	*	*	*	*	*	*	*	*	*
9	---	$P_{t_{0.40}}$	*	*	*	*	*	*	*	*	*	*	*
	FAN	$P_{f_{0.40}}$	81	4	*	*	*	*	*	*	*	*	*
	CC	$P_{c_{0.20}}$	245	193	153	*	*	*	*	*	*	*	*
10	---	$P_{t_{0.40}}$	*	*	*	*	*	*	*	*	*	*	*
	FAN	$P_{f_{0.40}}$	84	110	*	*	*	*	*	*	*	*	*
	CC	$P_{c_{0.20}}$	238	269	164	166	*	*	*	*	*	*	*
11.2	---	$P_{t_{0.40}}$	20	*	*	*	*	*	*	*	*	*	*
	FAN	$P_{f_{0.40}}$	112	112	97	9	*	*	*	*	*	*	*
	CC	$P_{c_{0.20}}$	255	258	255	193	*	*	*	*	*	*	*
12.5	---	$P_{t_{0.40}}$	25	44	*	*	*	*	*	*	*	*	*
	FAN	$P_{f_{0.40}}$	105	119	105	130	*	*	*	*	*	*	*
	CC	$P_{c_{0.20}}$	239	258	254	254	*	7	*	*	*	*	*
14	---	$P_{t_{0.40}}$	60	48	33	*	*	*	*	*	*	*	*
	FAN	$P_{f_{0.40}}$	93	109	136	150	68	*	*	*	*	*	*
	CC	$P_{c_{0.20}}$	222	238	268	286	191	42	250	182	*	*	*
16	---	$P_{t_{0.40}}$	60	83	40	66	0	*	*	*	*	*	*
	FAN	$P_{f_{0.40}}$	88	101	129	122	79	138	*	*	*	*	*
	CC	$P_{c_{0.20}}$	209	226	254	228	191	236	257	205	*	*	*
18	---	$P_{t_{0.40}}$	82	82	95	78	7	*	*	*	*	*	*
	FAN	$P_{f_{0.40}}$	79	93	107	132	192	145	*	*	*	*	*
	CC	$P_{c_{0.20}}$	191	209	220	248	284	234	430	508	506	*	*
20	---	$P_{t_{0.40}}$	79	103	95	113	17	68	*	*	*	*	*
	FAN	$P_{f_{0.40}}$	75	86	103	101	176	188	*	*	*	*	*
	CC	$P_{c_{0.20}}$	181	196	211	193	263	265	418	490	508	*	*
22.4	---	$P_{t_{0.40}}$	93	98	121	126	115	74	*	*	*	*	*
	FAN	$P_{f_{0.40}}$	70	80	90	110	140	173	*	*	*	*	*
	CC	$P_{c_{0.20}}$	170	182	187	210	217	245	140	58	*	570	*
25	---	$P_{t_{0.40}}$	89	113	119	133	113	158	*	*	*	*	*
	FAN	$P_{f_{0.40}}$	66	76	87	86	131	147	*	*	*	*	*
	CC	$P_{c_{0.20}}$	161	174	180	165	203	211	213	205	29	575	*
28	---	$P_{t_{0.40}}$	51	107	44	146	21	153	*	*	*	*	*
	FAN	$P_{f_{0.40}}$	57	71	75	93	132	138	*	*	*	*	*
	CC	$P_{c_{0.20}}$	138	162	154	180	198	198	209	200	44	*	*
31.5	---	$P_{t_{0.40}}$	50	67	44	62	24	66	*	*	*	*	*
	FAN	$P_{f_{0.40}}$	55	62	73	71	125	130	74	*	*	*	*
	CC	$P_{c_{0.20}}$	132	140	149	137	187	185	396	512	578	86	*
35.5	---	$P_{t_{0.40}}$	53	64	53	67	55	66	*	*	*	*	*
	FAN	$P_{f_{0.40}}$	52	58	66	76	108	123	74	*	*	*	*
	CC	$P_{c_{0.20}}$	126	133	137	146	165	175	382	487	561	98	*
40	---	$P_{t_{0.40}}$	51	67	52	67	54	91	*	*	*	*	*
	FAN	$P_{f_{0.40}}$	50	56	64	64	103	111	103	58	0	*	*
	CC	$P_{c_{0.20}}$	121	128	133	123	157	159	383	501	583	623	*
45	---	$P_{t_{0.40}}$	52	64	58	72	67	88	*	*	*	*	*
	FAN	$P_{f_{0.40}}$	47	53	63	68	97	105	101	58	*	*	*
	CC	$P_{c_{0.20}}$	115	121	130	131	148	150	368	476	564	612	*

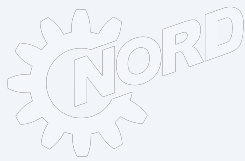
\* Additional Cooling Necessary - Consult Factory



Nom. Ratio	Cooling Type		SK 5207/ SK 5307	SK 6207/ SK 6307	SK 7207/ SK 7307	SK 8207/ SK 8307	SK 9207/ SK 9307	SK 10207/ SK 10307	SK 11207/ SK 11307	SK 12207/ SK 12307	SK 13207/ SK 13307	SK 14207/ SK 14307	SK 15207/ SK 15307
			Thermal Power										
$i_N$			$P_N$ [HP]	$P_N$ [HP]	$P_N$ [HP]	$P_N$ [HP]	$P_N$ [HP]	$P_N$ [HP]	$P_N$ [HP]	$P_N$ [HP]	$P_N$ [HP]	$P_N$ [HP]	$P_N$ [HP]
50	---	Pt <sub>0.40</sub>	50	65	57	70	65	99	81	59	2	*	*
	FAN	P <sub>IF.40</sub>	45	51	61	60	92	100	112	157	221	39	82
	CC	P <sub>IC.20</sub>	110	117	126	117	141	143	344	512	722	623	673
56	---	Pt <sub>0.40</sub>	70	62	92	76	138	95	79	57	6	*	*
	FAN	P <sub>IF.40</sub>	44	48	55	65	84	95	107	148	210	43	86
	CC	P <sub>IC.20</sub>	108	111	116	125	131	136	330	484	693	609	648
63	---	Pt <sub>0.40</sub>	67	83	89	99	132	166	86	74	45	89	*
	FAN	P <sub>IF.40</sub>	42	48	53	54	80	89	100	137	183	217	151
	CC	P <sub>IC.20</sub>	103	110	112	104	124	129	308	455	628	674	666
71	---	Pt <sub>0.40</sub>	65	79	86	106	129	158	83	71	45	90	*
	FAN	P <sub>IF.40</sub>	40	45	50	57	74	84	96	130	175	211	148
	CC	P <sub>IC.20</sub>	99	104	106	112	116	122	296	431	604	655	639
80	---	Pt <sub>0.40</sub>	62	77	84	93	123	154	120	140	161	113	173
	FAN	P <sub>IF.40</sub>	38	44	48	49	71	79	81	107	135	188	202
	CC	P <sub>IC.20</sub>	94	100	102	95	111	114	257	373	508	594	597
90	---	Pt <sub>0.40</sub>	60	73	84	99	122	146	116	133	156	112	168
	FAN	P <sub>IF.40</sub>	37	41	48	52	68	75	78	102	130	183	194
	CC	P <sub>IC.20</sub>	90	95	101	102	107	109	247	356	490	578	572
100	---	Pt <sub>0.40</sub>	58	71	81	90	117	145	113	133	155	211	180
	FAN	P <sub>IF.40</sub>	35	40	46	47	65	72	73	97	122	147	183
	CC	P <sub>IC.20</sub>	87	92	98	91	101	105	234	339	459	489	545
112	---	Pt <sub>0.40</sub>	60	68	82	97	124	138	109	127	150	206	174
	FAN	P <sub>IF.40</sub>	33	38	41	50	61	69	71	93	118	144	176
	CC	P <sub>IC.20</sub>	82	87	87	98	96	100	225	323	444	477	523
125	---	Pt <sub>0.40</sub>	57	70	80	87	122	144	---	---	---	200	---
	FAN	P <sub>IF.40</sub>	32	36	40	40	59	65	---	---	---	133	---
	CC	P <sub>IC.20</sub>	78	83	84	79	93	94	---	---	---	441	---
140	---	Pt <sub>0.40</sub>	55	66	80	93	116	141	---	---	---	196	---
	FAN	P <sub>IF.40</sub>	31	34	40	43	56	63	---	---	---	130	---
	CC	P <sub>IC.20</sub>	75	79	84	84	88	91	---	---	---	431	---
160	---	Pt <sub>0.40</sub>	53	64	77	84	116	134	---	---	---	---	---
	FAN	P <sub>IF.40</sub>	29	33	38	39	53	60	---	---	---	---	---
	CC	P <sub>IC.20</sub>	72	77	81	76	83	87	---	---	---	---	---
180	---	Pt <sub>0.40</sub>	45	61	64	90	111	133	---	---	---	---	---
	FAN	P <sub>IF.40</sub>	23	31	30	42	51	57	---	---	---	---	---
	CC	P <sub>IC.20</sub>	56	73	64	81	79	82	---	---	---	---	---
200	---	Pt <sub>0.40</sub>	43	51	63	68	96	127	---	---	---	---	---
	FAN	P <sub>IF.40</sub>	22	25	29	30	41	54	---	---	---	---	---
	CC	P <sub>IC.20</sub>	55	57	62	59	64	78	---	---	---	---	---
224	---	Pt <sub>0.40</sub>	42	49	60	72	92	109	---	---	---	---	---
	FAN	P <sub>IF.40</sub>	21	24	28	32	39	43	---	---	---	---	---
	CC	P <sub>IC.20</sub>	53	55	60	62	62	63	---	---	---	---	---
250	---	Pt <sub>0.40</sub>	41	48	58	63	88	105	---	---	---	---	---
	FAN	P <sub>IF.40</sub>	21	23	27	28	38	42	---	---	---	---	---
	CC	P <sub>IC.20</sub>	51	54	58	55	59	61	---	---	---	---	---
280	---	Pt <sub>0.40</sub>	39	46	58	67	85	101	---	---	---	---	---
	FAN	P <sub>IF.40</sub>	20	22	27	30	36	40	---	---	---	---	---
	CC	P <sub>IC.20</sub>	50	51	58	58	57	58	---	---	---	---	---
315	---	Pt <sub>0.40</sub>	38	45	57	61	83	97	---	---	---	---	---
	FAN	P <sub>IF.40</sub>	19	22	26	27	35	38	---	---	---	---	---
	CC	P <sub>IC.20</sub>	48	50	56	53	55	56	---	---	---	---	---
355	---	Pt <sub>0.40</sub>	---	43	---	65	80	95	---	---	---	---	---
	FAN	P <sub>IF.40</sub>	---	21	---	29	34	38	---	---	---	---	---
	CC	P <sub>IC.20</sub>	---	48	---	56	53	55	---	---	---	---	---
400	---	Pt <sub>0.40</sub>	---	---	---	---	---	91	---	---	---	---	---
	FAN	P <sub>IF.40</sub>	---	---	---	---	---	36	---	---	---	---	---
	CC	P <sub>IC.20</sub>	---	---	---	---	---	53	---	---	---	---	---
450	---	Pt <sub>0.40</sub>	---	---	---	---	---	---	---	---	---	---	---
	FAN	P <sub>IF.40</sub>	---	---	---	---	---	---	---	---	---	---	---
	CC	P <sub>IC.20</sub>	---	---	---	---	---	---	---	---	---	---	---

Thermal Ratings





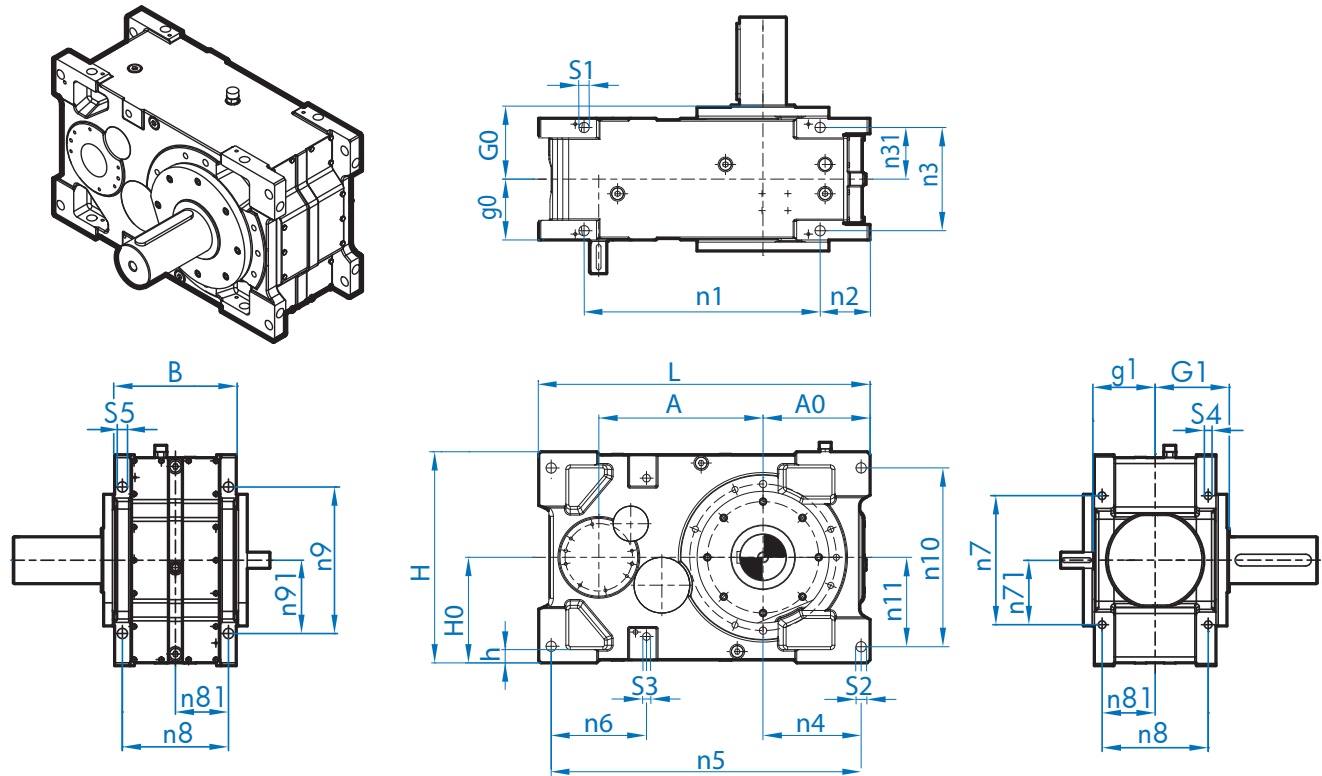
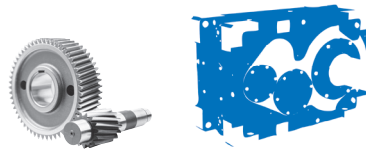
DRIVESYSTEMS

# Parallel Dimensions

---

Housing Dimensional Overview .....	132
Shaft Size Dimension Overview .....	133
SK 5207 / 5307 .....	134
SK 6207 / 6307 .....	140
SK 7207 / 7307 .....	133
SK 8207 / 8307 .....	140
SK 9207 / 9307 .....	160
SK 10207 / 10307 .....	166
SK 11207 / 11307 .....	146
SK 12207 / 12307 .....	148
SK 13207 / 13307 .....	150
SK 14207 / 14307 .....	152
SK 15207 / 15307 .....	154
Optional Shaft .....	156
Accessory Option .....	159

# Overview Dimensions

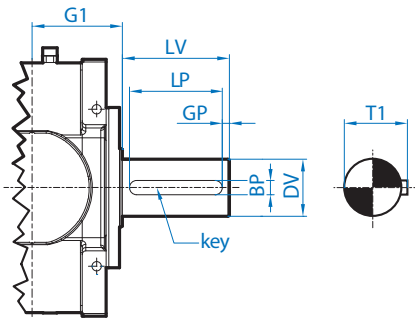


Dimensions

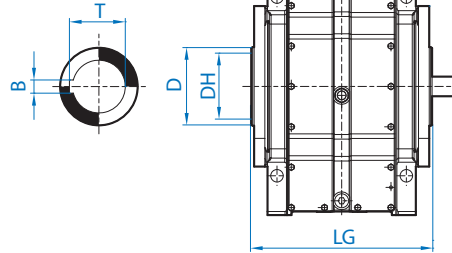
	OVERALL DIMENSIONS											MOUNTING HOLE DIM.			↗
	A	A0	B	g0	G0	g1	G1	h	H	H0	L	∅ S1/S2	S4/S5	S3	
<b>SK 5.07</b>	377	230	345	172,5	172,5	182,5	192,5	30	455	227,5	730	28	M24 x 40	M24 x 36	134
<b>SK 6.07</b>	407	255	345	172,5	172,5	182,5	192,5	30	495	247,5	780	28	M24 x 40	M24 x 36	136
<b>SK 7.07</b>	440	295	350	175	189	179	197 (215)*	35	530	265	870	28	M24 x 30	M24	138
<b>SK 8.07</b>	465	325	350	175	189	179	197 (215)*	35	590	295	925	28	M24 x 30	M24	140
<b>SK 9.07</b>	530	330	415	207,5	248	212,5	253	45	650	325	1055	35	M30 x 45	M30	142
<b>SK 10.07</b>	560	365	415	207,5	248	212,5	253	45	720	360	1130	35	M30 x 45	M30	144
<b>SK 11.07</b>	630	370	440	254	270	260	280	52	750	375	1210	42	M36 x 58	M36	146
<b>SK 12.07</b>	695	405	510	288,5	305	294	315	57	850	425	1345	48	M42 x 65	M42	148
<b>SK 13.07</b>	780	475	550	323	343	328	353	60	950	475	1530	55	M48 x 75	M48	150
<b>SK 14.07</b>	835	505	610	325	373	355	383	55	1050	525	1615	55	M48 x 75	M48	152
<b>SK 15.07</b>	935	545	650	361	385	371	395	70	1100	550	1800	65	M56 x 90	M56	154

	CENTER DISTANCE DIMENSIONS															↗
	n1	n2	n3	n31	n4	n5	n6	n7	n71	n8	n81	n9	n91	n10	n11	
<b>SK 5.07</b>	490	125	295	147,5	205	680	196	320	160	295	147,5	320	160	400	200	134
<b>SK 6.07</b>	530	130	295	147,5	230	730	196	320	160	295	147,5	320	160	400	200	136
<b>SK 7.07</b>	590	160	305	152,5	270	820	220	380	190	300	150	380	190	460	230	138
<b>SK 8.07</b>	645	160	305	152,5	300	875	220	440	220	300	150	380	190	540	270	140
<b>SK 9.07</b>	730	175	352	176	302,5	995	325	440	220	362	181	440	220	540	270	142
<b>SK 10.07</b>	805	170	352	176	335	1057	325	500	250	362	181	440	220	640	320	144
<b>SK 11.07</b>	850	217,5	370	185	330	1130	340	520	260	385	192,5	520	260	670	335	146
<b>SK 12.07</b>	930	257,5	430	215	365	1265	410	600	300	440	220	600	300	770	385	148
<b>SK 13.07</b>	1050	290	465	232,5	425	1430	450	700	350	475	237,5	700	350	850	425	150
<b>SK 14.07</b>	1100	295	525	262,5	455	1515	150	780	390	535	267,5	700	350	950	475	152
<b>SK 15.07</b>	1230	345	550	275	490	1690	530	800	400	560	280	800	400	990	495	154

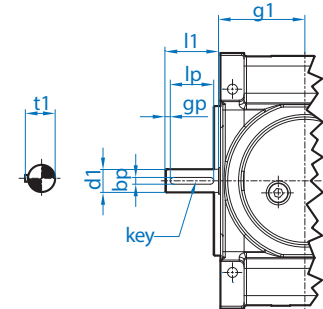
\* values in brackets at option "DRY"



**Solid Output Shaft**



**Hollow Shaft**



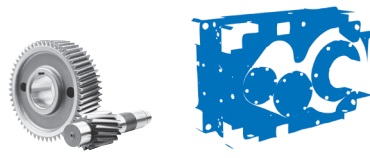
**Solid Input Shaft**

	SOLID OUTPUT SHAFT							HOLLOW SHAFT					↗ ↘
	ø DV	LV	LP	BP	GP	T1	Chaveta	ø D	ø DH <sup>H7</sup>	LG	B	T	
SK 5.07	120	210	180	32	15	127	32 x 18 x 180	140	105	385	28	111,4	134
SK 6.07	120	210	180	32	15	127	32 x 18 x 180	140	105	385	28	111,4	136
SK 7.07	140	250	200	36	25	148	36 x 20 x 200	160	125	394	32	132,4	138
SK 8.07	140	250	200	36	25	148	36 x 20 x 200	160	125	394	32	132,4	140
SK 9.07	160	300	260	40	20	169	40 x 20 x 260	220	160 (145)*	506	40	169,4	142
SK 10.07	160	300	260	40	20	169	40 x 20 x 260	220	160 (145)*	506	40	169,4	144
SK 11.07	170	300	260	40	20	179	40 x 22 x 260	240	170	560	40	179,4	146
SK 12.07	200	350	300	45	25	210	45 x 25 x 300	250	190	630	45	200,4	148
SK 13.07	230	410	350	50	31	241	50 x 28 x 350	285	230	706	50	241,4	150
SK 14.07	250	410	360	56	25	262	56 x 32 x 360	285	230	766	50	241,4	152
SK 15.07	250	410	360	56	25	262	56 x 32 x 360	320	250	790	56	262,4	154

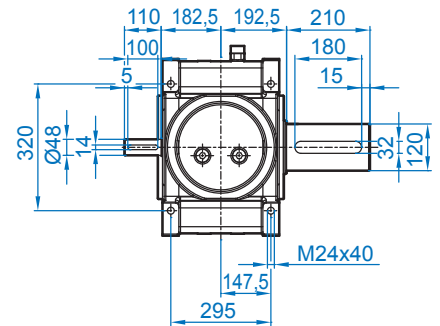
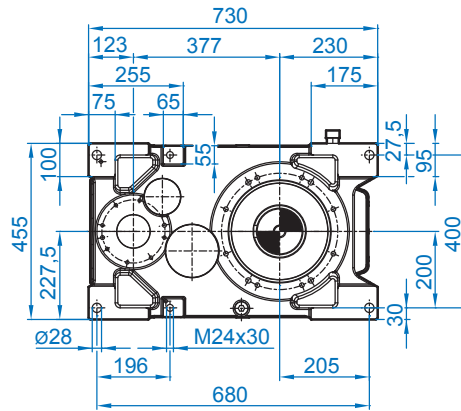
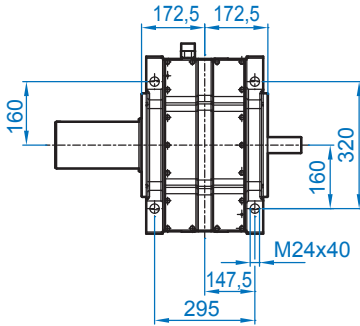
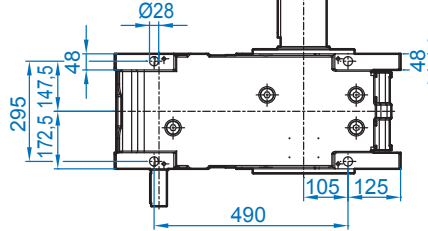
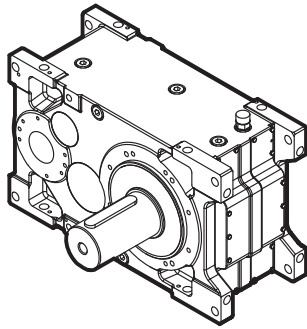
	SK..207 SOLID INPUT SHAFT								SK..307 SOLID INPUT SHAFT								↗ ↘
	i <sub>N</sub>	ø d1	l1	lp	bp	gp	t1	key	i <sub>N</sub>	ø d1	l1	lp	bp	gp	t1	key	
SK 5.07	7,1-25	48	110	100	14	5	51,5	14 x 9 x 100	28,0-315	48	110	100	14	5	51,5	14 x 9 x 100	134
SK 6.07	8,0-28	48	110	100	14	5	51,5	14 x 9 x 100	31,5-355	48	110	100	14	5	51,5	14 x 9 x 100	136
SK 7.07	7,1-25	48	110	100	14	5	51,5	14 x 9 x 100	28,0-315	48	110	100	14	5	51,5	14 x 9 x 100	138
SK 8.07	8,0-28	48	110	100	14	5	51,5	14 x 9 x 100	31,5-355	48	110	100	14	5	51,5	14 x 9 x 100	140
SK 9.07	7,1-25	55	110	90	16	10	59,0	16 x 10 x 90	28,0-355	55	110	90	16	10	59,0	16 x 10 x 90	142
SK 10.07	8,0-28	55	110	90	16	10	59,0	16 x 10 x 90	28,0-400	55	110	90	16	10	59,0	16 x 10 x 90	144
SK 11.07	5,6-20	80	170	140	22	15	85,0	22 x 14 x 140	22,4-112	70	140	125	20	7,5	74,5	20 x 12 x 125	146
SK 12.07	5,6-20	100	210	180	28	15	106,0	28 x 16 x 180	22,4-112	80	170	140	22	15	85,0	22 x 14 x 140	148
SK 13.07	5,6-20	110	210	180	28	15	116,0	28 x 16 x 180	22,4-112	80	170	140	22	15	85,0	22 x 14 x 140	150
SK 14.07	7,1-25	110	210	180	28	15	116,0	28 x 16 x 180	28,0-140	80	170	140	22	15	85,0	22 x 14 x 140	152
SK 15.07	5,6-20	120	245	200	32	15	127,0	32 x 18 x 200	22,4-45	100	210	180	28	15	106,0	28 x 16 x 180	154
									50,0-112	80	170	140	22	15	85,0	22 x 14 x 140	154

\* values in brackets at option "DRY"

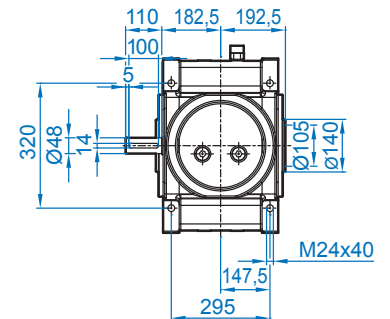
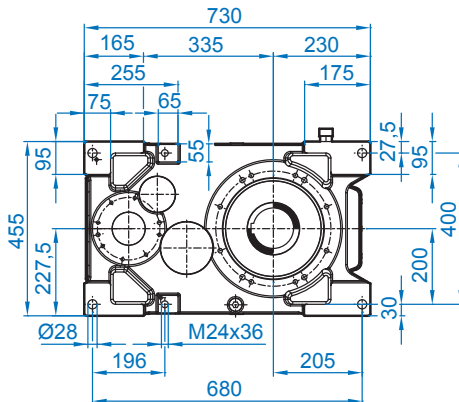
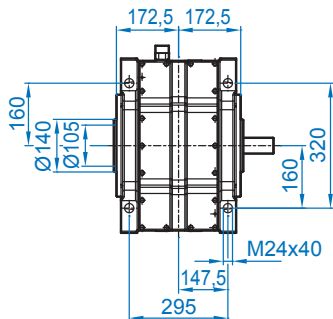
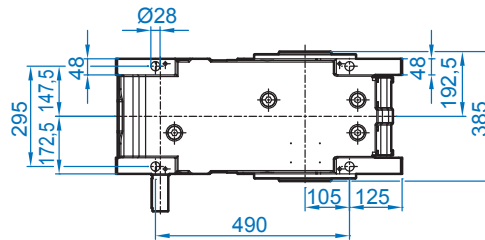
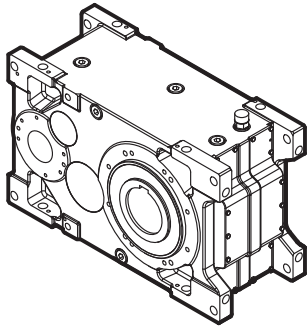
# SK 5207 / 5307



## SK 5207 / 5307 V \*



## SK 5207 / 5307 A \*

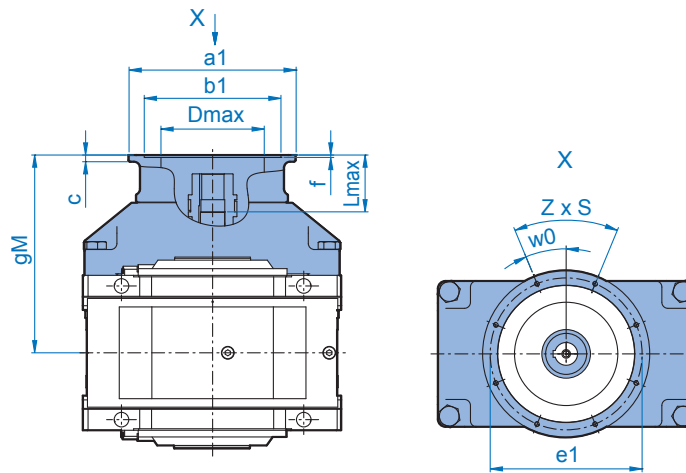


\* Dimensions for option "DRY" please see 132





## SK 5207 / SK 5307

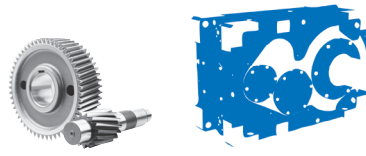


		gM	ø a1	ø b1	ø e1	c	f	z x s	w0°	ø Dmax	Lmax	
SK 5207	IEC <sup>1)</sup>	100	381,5	250	180	215	11	4	4 x 14,5	0	160	89
		112	381,5	250	180	215	11	4	4 x 14,5	0	160	89
		132	406,5	300	230	265	12	4	4 x 14,5	0	210	114
		160	436,5	350	250	300	15	6,5	4 x 17,5	45	220	144
		180	436,5	350	250	300	15	6,5	4 x 17,5	45	220	144
		200	436,5	400	300	350	17	6,5	4 x 17,5	45	250	144
		225	466,5	450	350	400	18	6,5	8 x 17,5	22,5	250	174
		250	466,5	550	450	500	22	8	8 x M16	22,5	250	174
		280	466,5	550	450	500	22	8	8 x M16	22,5	250	174
SK 5307	IEC <sup>1)</sup>	100	381,5	250	180	215	11	4	4 x 14,5	0	160	89
		112	381,5	250	180	215	11	4	4 x 14,5	0	160	89
		132	406,5	300	230	265	12	4	4 x 14,5	0	210	114
		160	436,5	350	250	300	15	6,5	4 x 17,5	45	220	144
		180	436,5	350	250	300	15	6,5	4 x 17,5	45	220	144
		200	436,5	400	300	350	17	6,5	4 x 17,5	45	250	144
		225	466,5	450	350	400	18	6,5	8 x 17,5	22,5	250	174
		250	466,5	550	450	500	22	8	8 x M16	22,5	250	174
		280	466,5	550	450	500	22	8	8 x M16	22,5	250	174

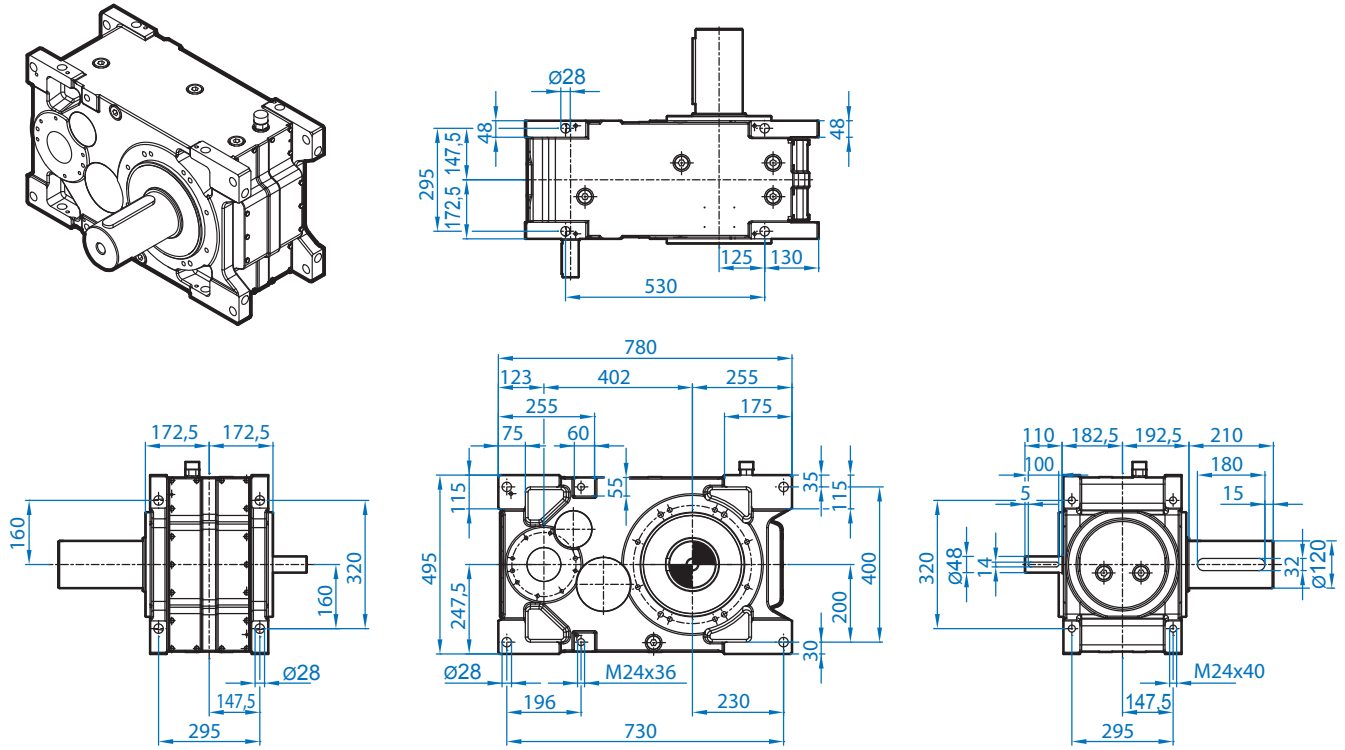
<sup>1)</sup> Type designation and dimensions up to 200kW correspond to NORD motors

		gM	ø a1	ø b1	ø e1	c	f	z x s	w0°	ø Dmax	Lmax	
SK 5207	NEMA	254/256 TC	453,5	350	215,9	184,15	38	4	4 x 1/2-13	45	220	161
		284/286 TC	453,5	350	266,7	228,6	38	4	4 x 1/2-13	45	220	161
		324/326 TC	466,5	400	317,5	279,4	51	4	4 x 5/8-11	45	265	173
		364/365 TC	496,5	450	317,5	279,4	52	4	4 x 5/8-11	45	280	204
		404/405 TC	510,5	550	317,5	279,4	70	6	4 x 5/8-11	45	330	218
SK 5307	NEMA	254/256 TC	453,5	350	215,9	184,15	38	4	4 x 1/2-13	45	220	161
		284/286 TC	453,5	350	266,7	228,6	38	4	4 x 1/2-13	45	220	161
		324/326 TC	466,5	400	317,5	279,4	51	4	4 x 5/8-11	45	265	173
		364/365 TC	496,5	450	317,5	279,4	52	4	4 x 5/8-11	45	280	204
		404/405 TC	510,5	550	317,5	279,4	70	6	4 x 5/8-11	45	330	218

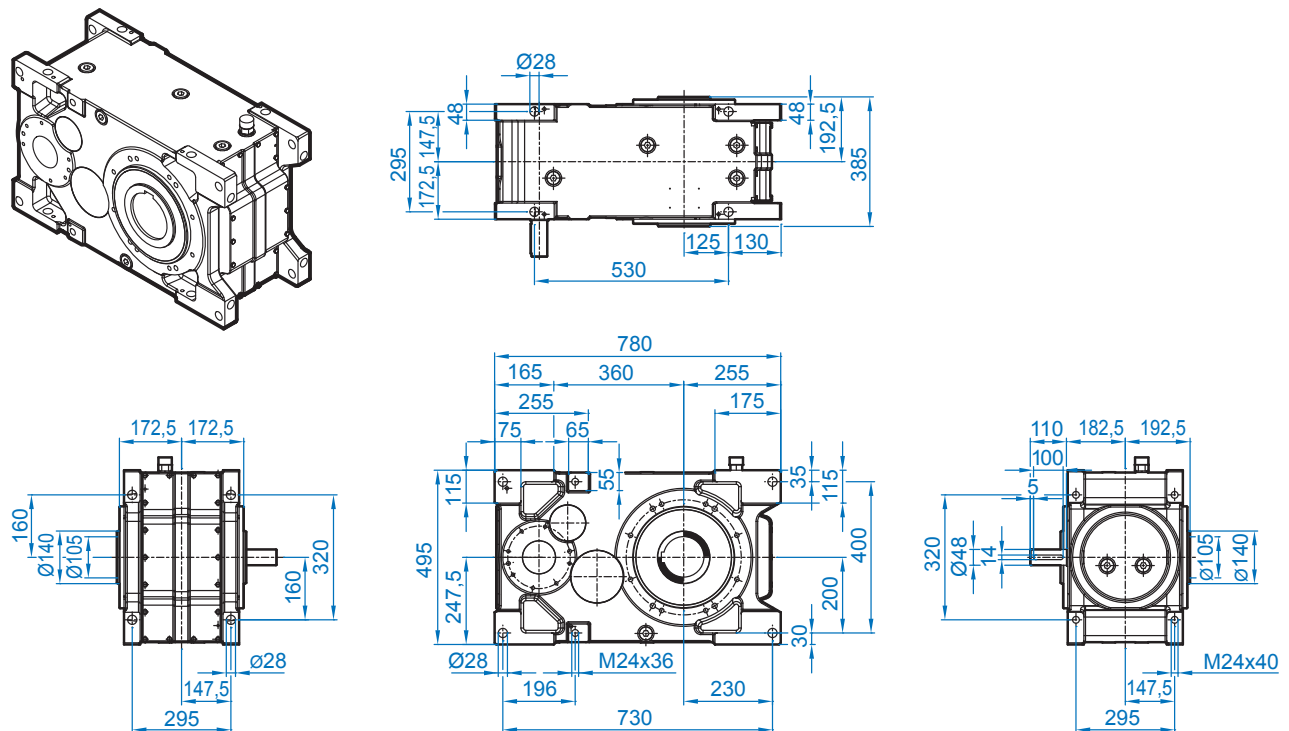
# SK 6207 / SK 6307



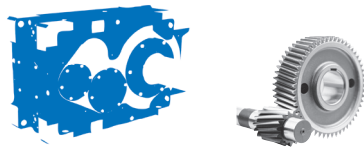
## SK 6207 / 6307 V \*



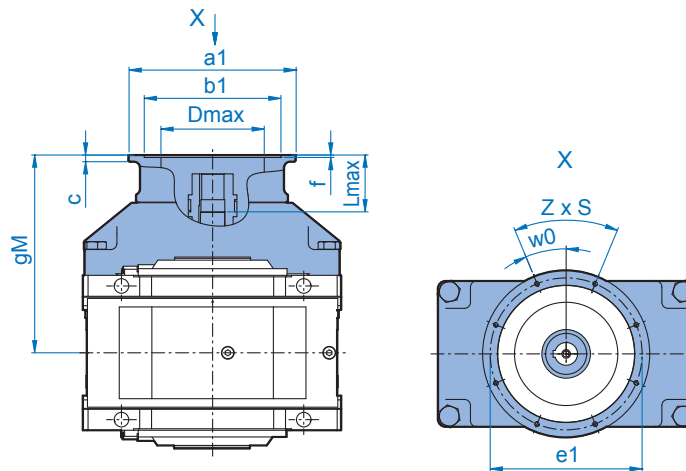
## SK 6207 / 6307 A \*



\* Dimensions for option "DRY" please see 132



## SK 6207 / SK 6307



		gM	∅ a1	∅ b1	∅ e1	c	f	z x s	w0°	∅ Dmax	Lmax	
SK 6207	IEC <sup>1)</sup>	100	381,5	250	180	215	11	4	4 x 14,5	0	160	89
		112	381,5	250	180	215	11	4	4 x 14,5	0	160	89
		132	406,5	300	230	265	12	4	4 x 14,5	0	210	114
		160	436,5	350	250	300	15	6,5	4 x 17,5	45	220	144
		180	436,5	350	250	300	15	6,5	4 x 17,5	45	220	144
		200	436,5	400	300	350	17	6,5	4 x 17,5	45	250	144
		225	466,5	450	350	400	18	6,5	8 x 17,5	22,5	250	174
		250	466,5	550	450	500	22	8	8 x M16	22,5	250	174
SK 6307	IEC <sup>1)</sup>	280	466,5	550	450	500	22	8	8 x M16	22,5	250	174
		100	381,5	250	180	215	11	4	4 x 14,5	0	160	89
		112	381,5	250	180	215	11	4	4 x 14,5	0	160	89
		132	406,5	300	230	265	12	4	4 x 14,5	0	210	114
		160	436,5	350	250	300	15	6,5	4 x 17,5	45	220	144
		180	436,5	350	250	300	15	6,5	4 x 17,5	45	220	144
		200	436,5	400	300	350	17	6,5	4 x 17,5	45	250	144
		225	466,5	450	350	400	18	6,5	8 x 17,5	22,5	250	174
	NEMA	250	466,5	550	450	500	22	8	8 x M16	22,5	250	174
		280	466,5	550	450	500	22	8	8 x M16	22,5	250	174

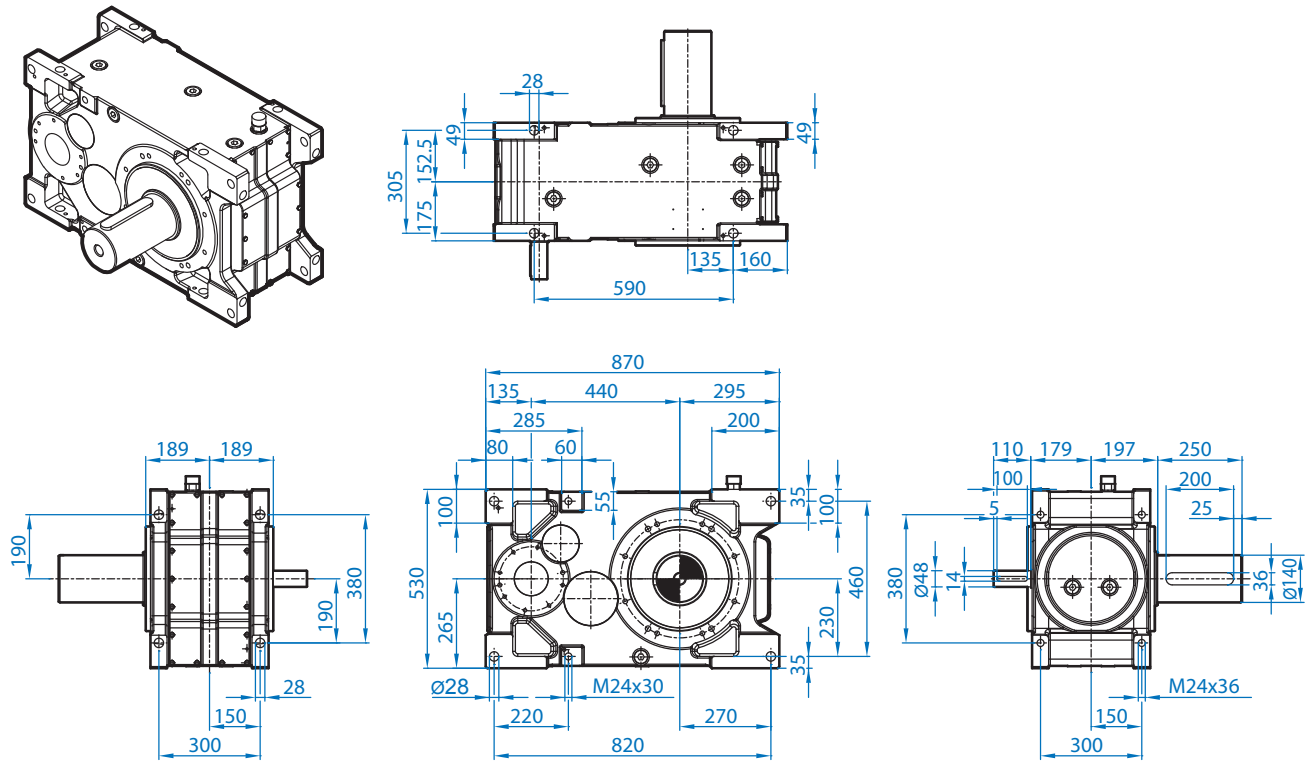
<sup>1)</sup> Type designation and dimensions up to 200kW correspond to NORD motors

		gM	∅ a1	∅ b1	∅ e1	c	f	z x s	w0°	∅ Dmax	Lmax	
SK 6207	NEMA	254/256 TC	453,5	350	215,9	184,15	38	4	4 x 1/2-13	45	220	161
		284/286 TC	453,5	350	266,7	228,6	38	4	4 x 1/2-13	45	220	161
		324/326 TC	466,5	400	317,5	279,4	51	4	4 x 5/8-11	45	265	173
		364/365 TC	496,5	450	317,5	279,4	52	4	4 x 5/8-11	45	280	204
		404/405 TC	510,5	550	317,5	279,4	70	6	4 x 5/8-11	45	330	218
SK 6307	NEMA	254/256 TC	453,5	350	215,9	184,15	38	4	4 x 1/2-13	45	220	161
		284/286 TC	453,5	350	266,7	228,6	38	4	4 x 1/2-13	45	220	161
		324/326 TC	466,5	400	317,5	279,4	51	4	4 x 5/8-11	45	265	173
		364/365 TC	496,5	450	317,5	279,4	52	4	4 x 5/8-11	45	280	204
		404/405 TC	510,5	550	317,5	279,4	70	6	4 x 5/8-11	45	330	218

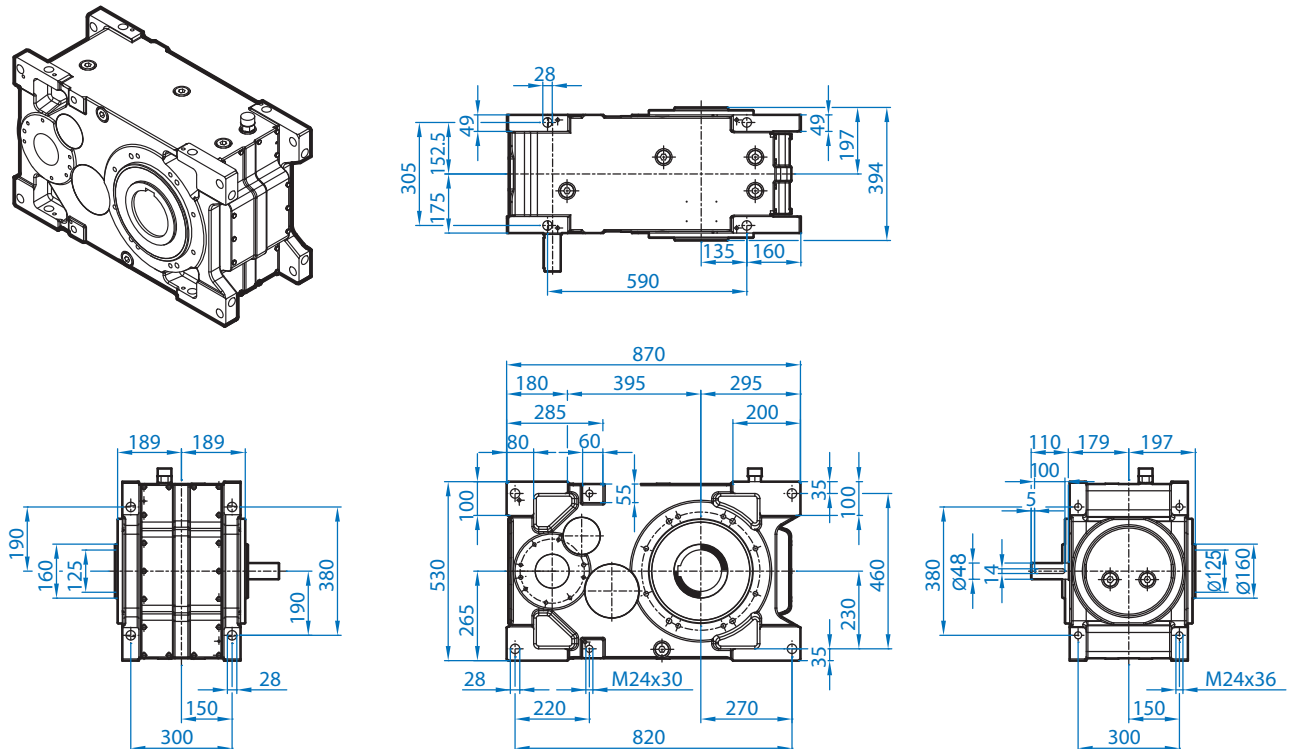
# SK 7207 / SK 7307



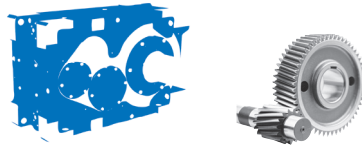
## SK 7207 / 7307 V \*



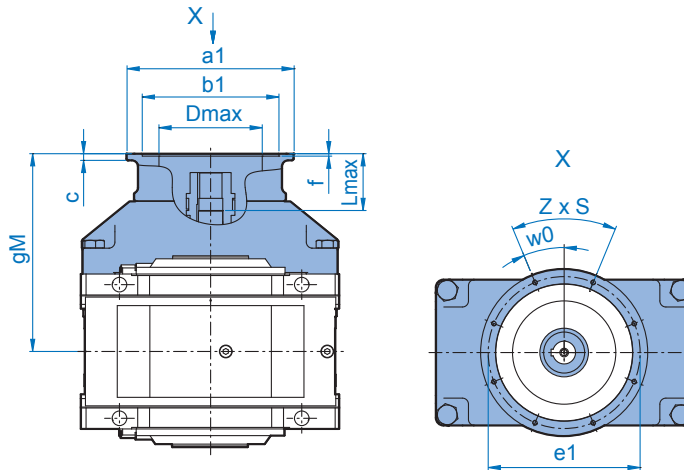
## SK 7207 / 7307 A \*



\* Dimensions for option "DRY" please see 132



## SK 7207 / SK 7307



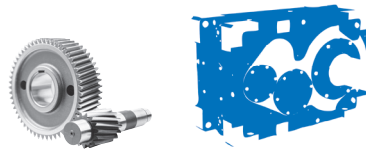
			gM	ø a1	ø b1	ø e1	c	f	z x s	w0°	ø Dmax	Lmax
SK 7207	IEC <sup>1)</sup>	100	389	250	180	215	11	4	4 x 14,5	0	160	100
		112	389	250	180	215	11	4	4 x 14,5	0	160	100
		132	409	300	230	265	12	4	4 x 14,5	0	210	120
		160	439	350	250	300	15	6,5	4 x 17,5	45	220	150
		180	439	350	250	300	15	6,5	4 x 17,5	45	220	150
		200	439	400	300	350	17	6,5	4 x 17,5	45	250	150
		225	469	450	350	400	18	6,5	8 x 17,5	22,5	250	180
		250	469	550	450	500	22	8	8 x M16	22,5	250	180
		280	469	550	450	500	22	8	8 x M16	22,5	250	180
		TN <sup>2)</sup>	315	499	660	550	600	22	8	8 x 22	22,5	250
		355	499	900	780	840	25	8	8 x 22	22,5	250	210
SK 7307	IEC <sup>1)</sup>	100	389	250	180	215	11	4	4 x 14,5	0	160	100
		112	389	250	180	215	11	4	4 x 14,5	0	160	100
		132	409	300	230	265	12	4	4 x 14,5	0	210	120
		160	439	350	250	300	15	6,5	4 x 17,5	45	220	150
		180	439	350	250	300	15	6,5	4 x 17,5	45	220	150
		200	439	400	300	350	17	6,5	4 x 17,5	45	250	150
		225	469	450	350	400	18	6,5	8 x 17,5	22,5	250	180
		250	469	550	450	500	22	8	8 x M16	22,5	250	180
		280	469	550	450	500	22	8	8 x M16	22,5	250	180
		TN <sup>2)</sup>	315	499	660	550	600	22	8	8 x 22	22,5	250
		355	499	900	780	840	25	8	8 x 22	22,5	250	210

<sup>1)</sup> Type designation and dimensions up to 200kW correspond to NORD motors <sup>2)</sup> Data for Transnorm motors available on request

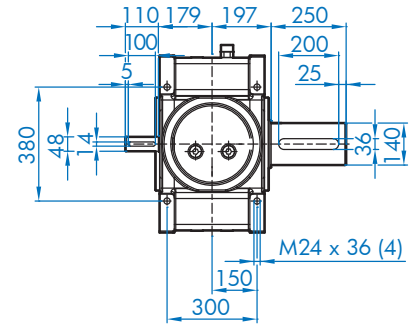
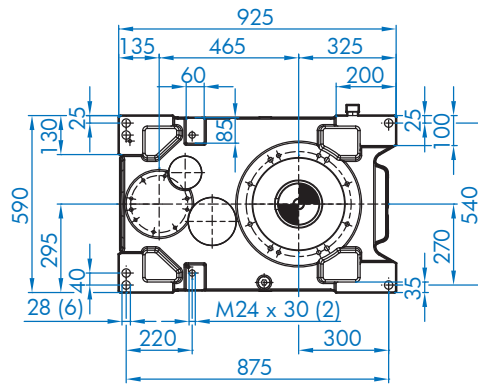
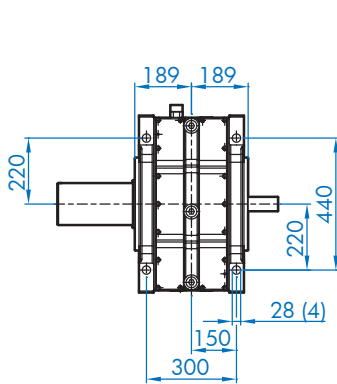
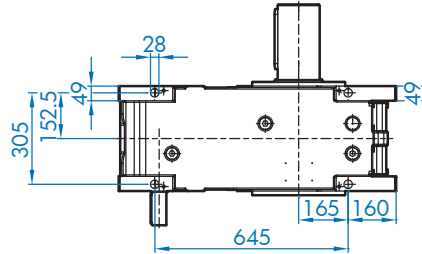
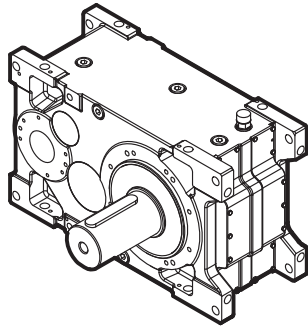
			gM	ø a1	ø b1	ø e1	c	f	z x s	w0°	ø Dmax	Lmax
SK 7207	NEMA	254/256 TC	439	350	215,9	184,15	38	4	4 x 1/2-13	45	220	173
		284/286 TC	439	350	266,7	228,6	38	4	4 x 1/2-13	45	220	173
		324/326 TC	439	400	317,5	279,4	51	4	4 x 5/8-11	45	265	184
		364/365 TC	469	450	317,5	279,4	52	4	4 x 5/8-11	45	280	214
		404/405 TC	469	550	317,5	279,4	70	6	4 x 5/8-11	45	330	228
		444/445 TC	469	550	406,4	355,6	102	6	4 x 5/8-11	45	330	260
		447/449 TC	499	660	406,4	355,6	67	6	4 x 5/8-11	45	330	255
SK 7307	NEMA	254/256 TC	439	350	215,9	184,15	38	4	4 x 1/2-13	45	220	173
		284/286 TC	439	350	266,7	228,6	38	4	4 x 1/2-13	45	220	173
		324/326 TC	439	400	317,5	279,4	51	4	4 x 5/8-11	45	265	184
		364/365 TC	469	450	317,5	279,4	52	4	4 x 5/8-11	45	280	214
		404/405 TC	469	550	317,5	279,4	70	6	4 x 5/8-11	45	330	228
		444/445 TC	469	550	406,4	355,6	102	6	4 x 5/8-11	45	330	260
		447/449 TC	499	660	406,4	355,6	67	6	4 x 5/8-11	45	330	255

Dimensions

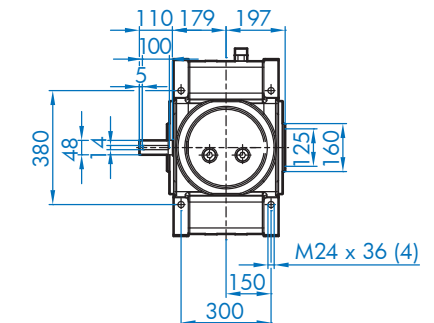
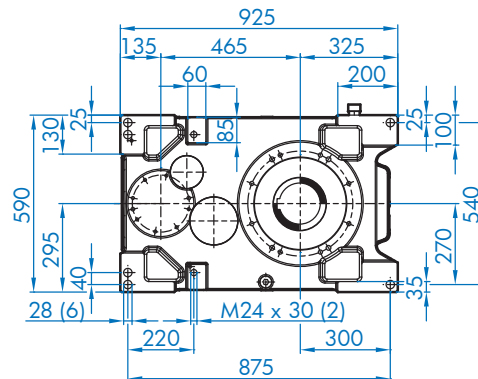
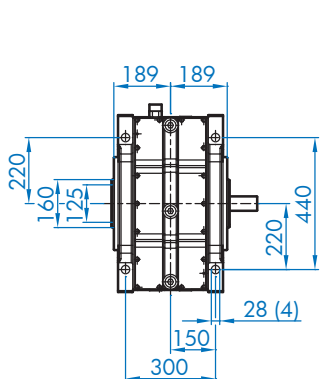
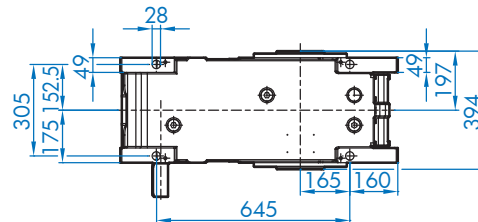
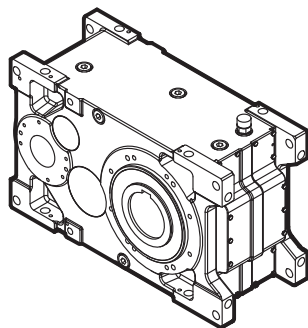
# SK 8207 / SK 8307



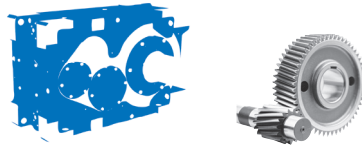
## SK 8207 / 8307 V \*



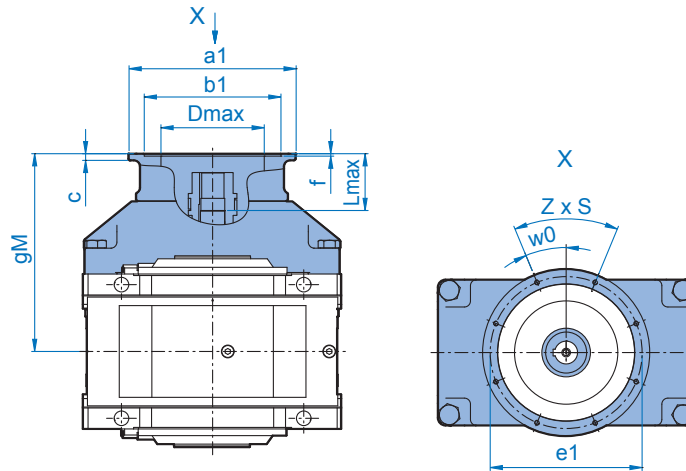
## SK 8207 / 8307 A \*



\* Dimensions for option "DRY" please see 132



**SK 8207 / SK 8307**

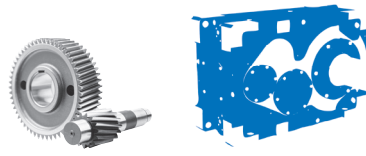


			gM	ø a1	ø b1	ø e1	c	f	z x s	w0°	ø Dmax	Lmax	
SK 8207	IEC <sup>1)</sup>	100	389	250	180	215	11	4	4 x 14.5	0	160	100	
		112	389	250	180	215	11	4	4 x 14.5	0	160	100	
		132	409	300	230	265	12	4	4 x 14.5	0	210	120	
		160	439	350	250	300	15	6,5	4 x 17.5	45	220	150	
		180	439	350	250	300	15	6,5	4 x 17.5	45	220	150	
		200	439	400	300	350	17	6,5	4 x 17.5	45	250	150	
		225	469	450	350	400	18	6,5	8 x 17.5	22,5	250	180	
		250	469	550	450	500	22	8	8 x M16	22,5	250	180	
		280	469	550	450	500	22	8	8 x M16	22,5	250	180	
		TN <sup>2)</sup>	315	499	660	550	600	22	8	8 x 22	22,5	250	210
		355	499	900	780	840	25	8	8 x 22	22,5	250	210	
SK 8307	IEC <sup>1)</sup>	100	389	250	180	215	11	4	4 x 14.5	0	160	100	
		112	389	250	180	215	11	4	4 x 14.5	0	160	100	
		132	409	300	230	265	12	4	4 x 14.5	0	210	120	
		160	439	350	250	300	15	6,5	4 x 17.5	45	220	150	
		180	439	350	250	300	15	6,5	4 x 17.5	45	220	150	
		200	439	400	300	350	17	6,5	4 x 17.5	45	250	150	
		225	469	450	350	400	18	6,5	8 x 17.5	22,5	250	180	
		250	469	550	450	500	22	8	8 x M16	22,5	250	180	
		280	469	550	450	500	22	8	8 x M16	22,5	250	180	
				315	499	660	550	600	22	8	8 x 22	22,5	250
		TN <sup>2)</sup>	315	499	800	680	740	25	8	8 x 22	22,5	250	210
			355	499	900	780	840	25	8	8 x 22	22,5	250	210

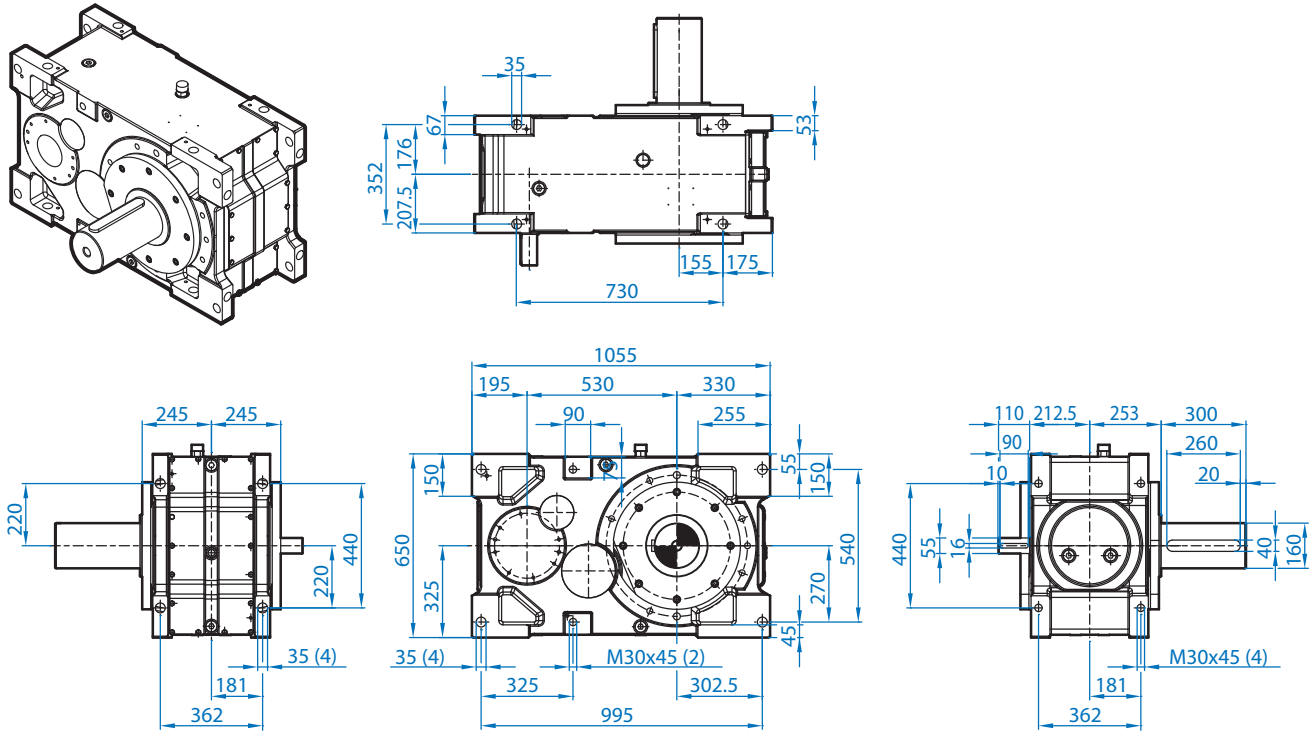
<sup>1)</sup> Type designation and dimensions up to 200kW correspond to NORD motors <sup>2)</sup> Data for Transnorm motors available on request

			gM	ø a1	ø b1	ø e1	c	f	z x s	w0°	ø Dmax	Lmax
SK 8207	NEMA	254/256 TC	439	350	215,9	184,15	38	4	4 x 1/2-13	45	220	173
		284/286 TC	439	350	266,7	228,6	38	4	4 x 1/2-13	45	220	173
		324/326 TC	439	400	317,5	279,4	51	4	4 x 5/8-11	45	265	184
		364/365 TC	469	450	317,5	279,4	52	4	4 x 5/8-11	45	280	214
		404/405 TC	469	550	317,5	279,4	70	6	4 x 5/8-11	45	330	228
		444/445 TC	469	550	406,4	355,6	102	6	4 x 5/8-11	45	330	260
		447/449 TC	499	660	406,4	355,6	67	6	4 x 5/8-11	45	330	255
SK 8307	NEMA	254/256 TC	439	350	215,9	184,15	38	4	4 x 1/2-13	45	220	173
		284/286 TC	439	350	266,7	228,6	38	4	4 x 1/2-13	45	220	173
		324/326 TC	439	400	317,5	279,4	51	4	4 x 5/8-11	45	265	184
		364/365 TC	469	450	317,5	279,4	52	4	4 x 5/8-11	45	280	214
		404/405 TC	469	550	317,5	279,4	70	6	4 x 5/8-11	45	330	228
		444/445 TC	469	550	406,4	355,6	102	6	4 x 5/8-11	45	330	260
		447/449 TC	499	660	406,4	355,6	67	6	4 x 5/8-11	45	330	255

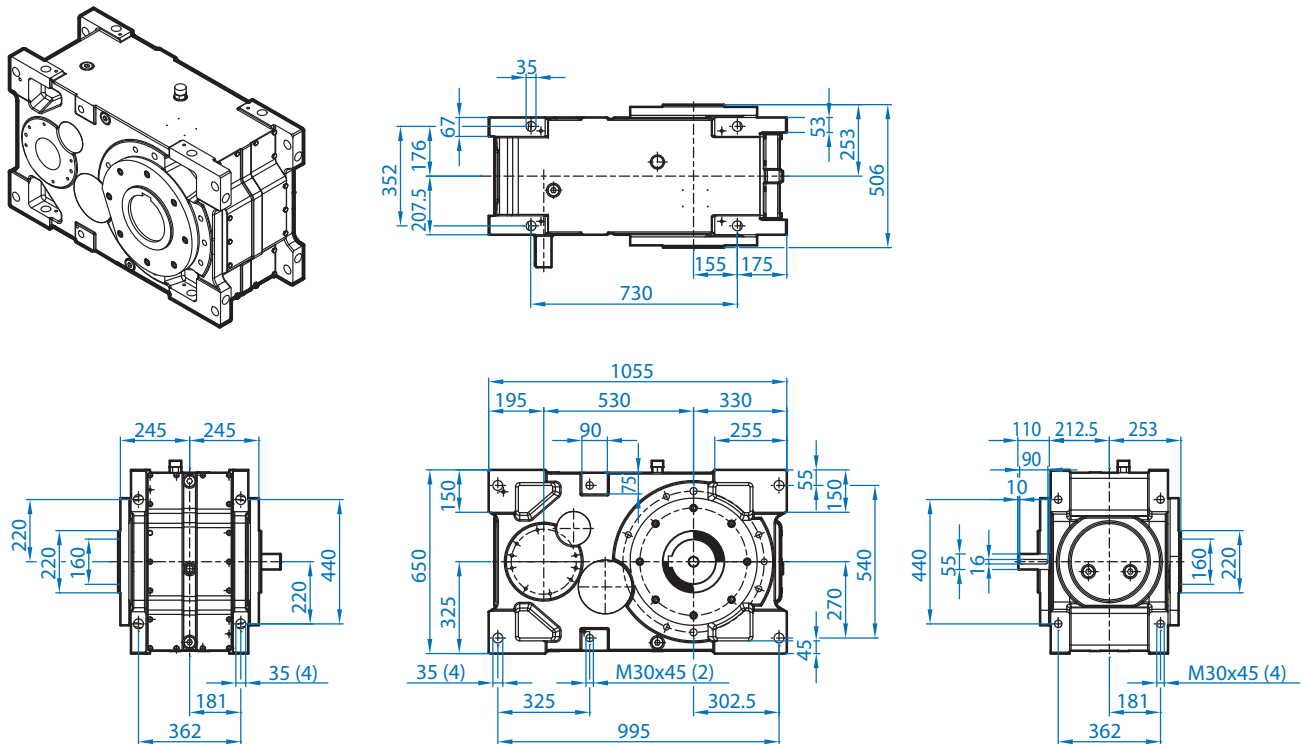
Dimensions



## SK 9207 / 9307 V

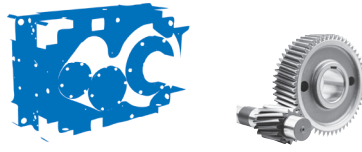


## SK 9207 / 9307 A \*

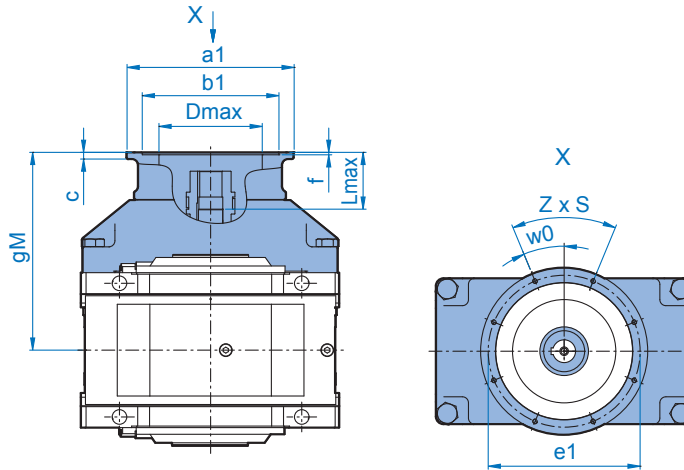


\* Dimensions for option "DRY" please see 132





## SK 9207 / SK 9307

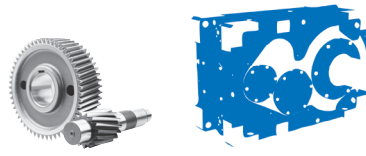


			gM	ø a1	ø b1	ø e1	c	f	z x s	w0°	ø Dmax	Lmax
SK 9207	IEC <sup>1)</sup>	100	421,5	250	180	215	11	4	4 x 14,5	0	160	99
		112	421,5	250	180	215	11	4	4 x 14,5	0	160	99
		132	441,5	300	230	265	12	4	4 x 14,5	0	210	119
		160	471,5	350	250	300	15	6,5	4 x 17,5	45	220	149
		180	471,5	350	250	300	15	6,5	4 x 17,5	45	220	149
		200	471,5	400	300	350	17	6,5	4 x 17,5	45	250	149
		225	501,5	450	350	400	18	6,5	8 x 17,5	22,5	250	179
		250	501,5	550	450	500	22	8	8 x M16	22,5	250	179
		280	501,5	550	450	500	22	8	8 x M16	22,5	250	179
		TN <sup>2)</sup>	315	531,5	660	550	600	22	8	8 x 22	22,5	250
		355	531,5	900	780	840	25	8	8 x 22	22,5	250	209
SK 9307	IEC <sup>1)</sup>	100	421,5	250	180	215	11	4	4 x 14,5	0	160	99
		112	421,5	250	180	215	11	4	4 x 14,5	0	160	99
		132	441,5	300	230	265	12	4	4 x 14,5	0	210	119
		160	471,5	350	250	300	15	6,5	4 x 17,5	45	220	149
		180	471,5	350	250	300	15	6,5	4 x 17,5	45	220	149
		200	471,5	400	300	350	17	6,5	4 x 17,5	45	250	149
		225	501,5	450	350	400	18	6,5	8 x 17,5	22,5	250	179
		250	501,5	550	450	500	22	8	8 x M16	22,5	250	179
		280	501,5	550	450	500	22	8	8 x M16	22,5	250	179
		TN <sup>2)</sup>	315	531,5	660	550	600	22	8	8 x 22	22,5	250
		355	531,5	900	780	840	25	8	8 x 22	22,5	250	209

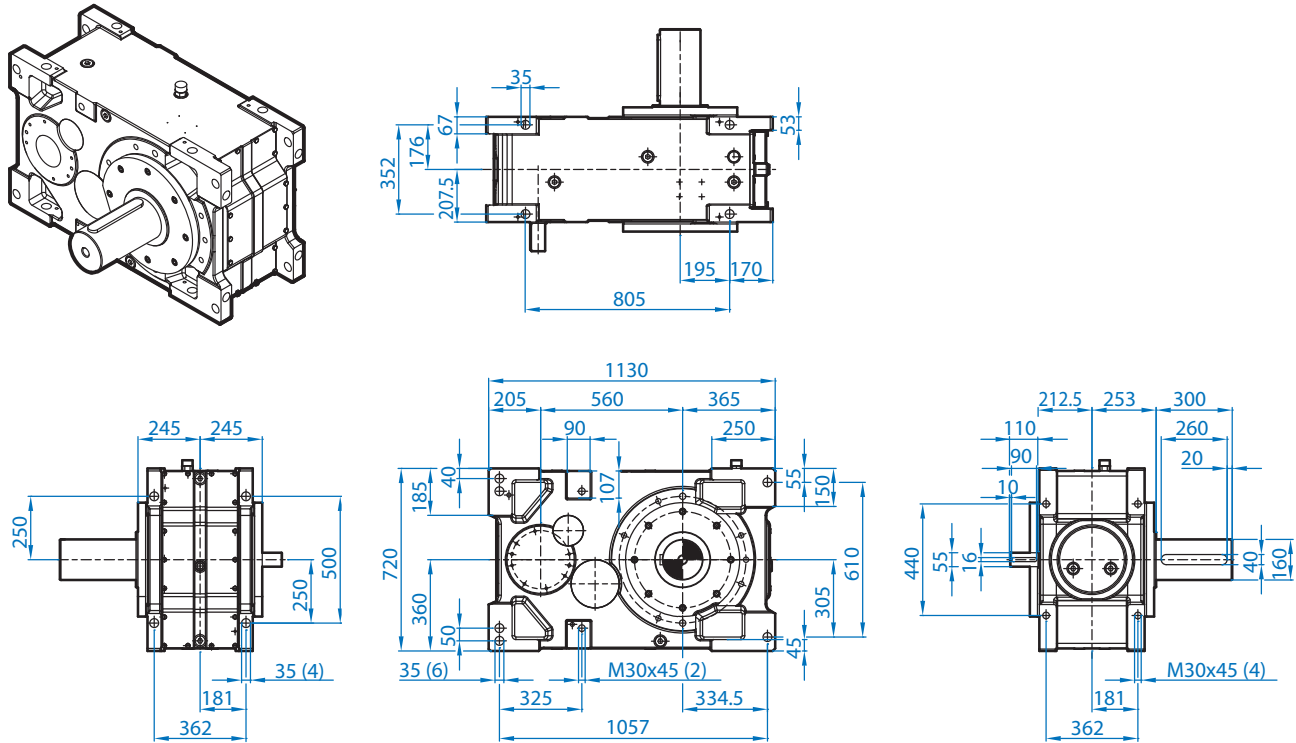
<sup>1)</sup> Type designation and dimensions up to 200kW correspond to NORD motors <sup>2)</sup> Data for Transnorm motors available on request

			gM	ø a1	ø b1	ø e1	c	f	z x s	w0°	ø Dmax	Lmax
SK 9207	NEMA	254/256 TC	494,5	350	215,9	184,15	38	4	4 x 1/2-13	45	220	172
		284/286 TC	494,5	350	266,7	228,6	38	4	4 x 1/2-13	45	220	172
		324/326 TC	505,5	400	317,5	279,4	51	4	4 x 5/8-11	45	265	183
		364/365 TC	535,5	450	317,5	279,4	52	4	4 x 5/8-11	45	280	213
		404/405 TC	549,5	550	317,5	279,4	70	6	4 x 5/8-11	45	330	227
		444/445 TC	581,5	550	406,4	355,6	102	6	4 x 5/8-11	45	330	259
		447/449 TC	576,5	660	406,4	355,6	67	6	4 x 5/8-11	45	330	254
SK 9307	NEMA	254/256 TC	494,5	350	215,9	184,15	38	4	4 x 1/2-13	45	220	172
		284/286 TC	494,5	350	266,7	228,6	38	4	4 x 1/2-13	45	220	172
		324/326 TC	505,5	400	317,5	279,4	51	4	4 x 5/8-11	45	265	183
		364/365 TC	535,5	450	317,5	279,4	52	4	4 x 5/8-11	45	280	213
		404/405 TC	549,5	550	317,5	279,4	70	6	4 x 5/8-11	45	330	227
		444/445 TC	581,5	550	406,4	355,6	102	6	4 x 5/8-11	45	330	259
		447/449 TC	576,5	660	406,4	355,6	67	6	4 x 5/8-11	45	330	254

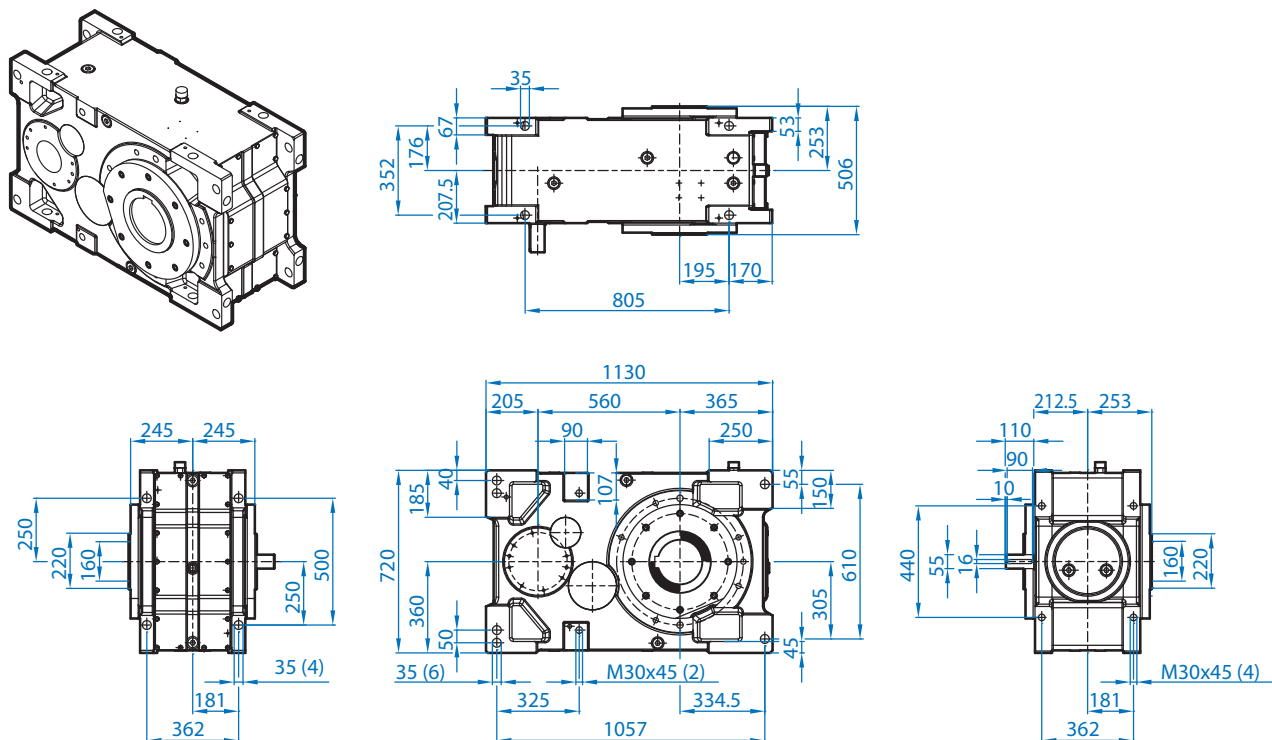
# SK 10207 / SK 10307



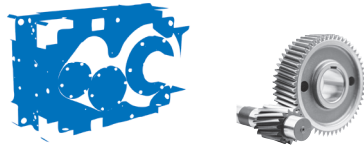
## SK 10207 / 10307 V



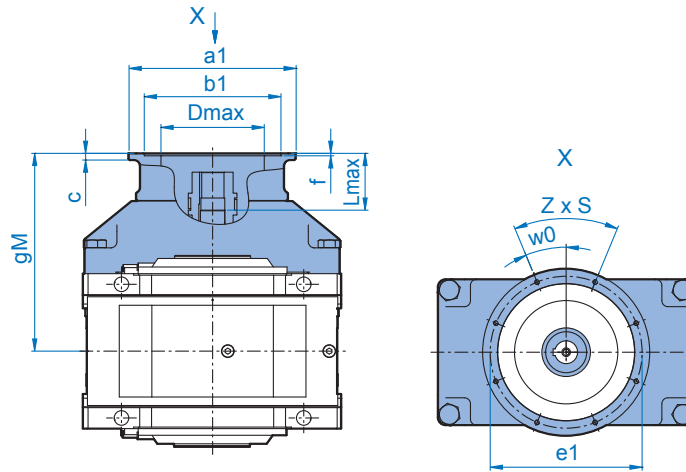
## SK 10207/10307 A \*



\* Dimensions for option "DRY" please see 132



## SK 10207 / SK 10307



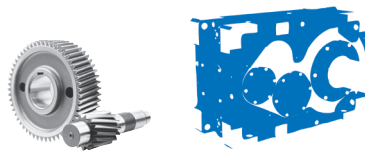
			gM	ø a1	ø b1	ø e1	c	f	z x s	w0°	ø Dmax	Lmax
SK 10207	IEC <sup>1)</sup>	100	421,5	250	180	215	11	4	4 x 14,5	0	160	99
		112	421,5	250	180	215	11	4	4 x 14,5	0	160	99
		132	441,5	300	230	265	12	4	4 x 14,5	0	210	119
		160	471,5	350	250	300	15	6,5	4 x 17,5	45	220	149
		180	471,5	350	250	300	15	6,5	4 x 17,5	45	220	149
		200	471,5	400	300	350	17	6,5	4 x 17,5	45	250	149
		225	501,5	450	350	400	18	6,5	8 x 17,5	22,5	250	179
		250	501,5	550	450	500	22	8	8 x M16	22,5	250	179
		280	501,5	550	450	500	22	8	8 x M16	22,5	250	179
		315	531,5	660	550	600	22	8	8 x 22	22,5	250	209
	TN <sup>2)</sup>	315	531,5	800	680	740	25	8	8 x 22	22,5	250	209
		355	531,5	900	780	840	25	8	8 x 22	22,5	250	209
SK 10307	IEC <sup>1)</sup>	100	421,5	250	180	215	11	4	4 x 14,5	0	160	99
		112	421,5	250	180	215	11	4	4 x 14,5	0	160	99
		132	441,5	300	230	265	12	4	4 x 14,5	0	210	119
		160	471,5	350	250	300	15	6,5	4 x 17,5	45	220	149
		180	471,5	350	250	300	15	6,5	4 x 17,5	45	220	149
		200	471,5	400	300	350	17	6,5	4 x 17,5	45	250	149
		225	501,5	450	350	400	18	6,5	8 x 17,5	22,5	250	179
		250	501,5	550	450	500	22	8	8 x M16	22,5	250	179
		280	501,5	550	450	500	22	8	8 x M16	22,5	250	179
		315	531,5	660	550	600	22	8	8 x 22	22,5	250	209
	TN <sup>2)</sup>	315	531,5	800	680	740	25	8	8 x 22	22,5	250	209
		355	531,5	900	780	840	25	8	8 x 22	22,5	250	209

<sup>1)</sup> Type designation and dimensions up to 200kW correspond to NORD motors <sup>2)</sup> Data for Transnorm motors available on request

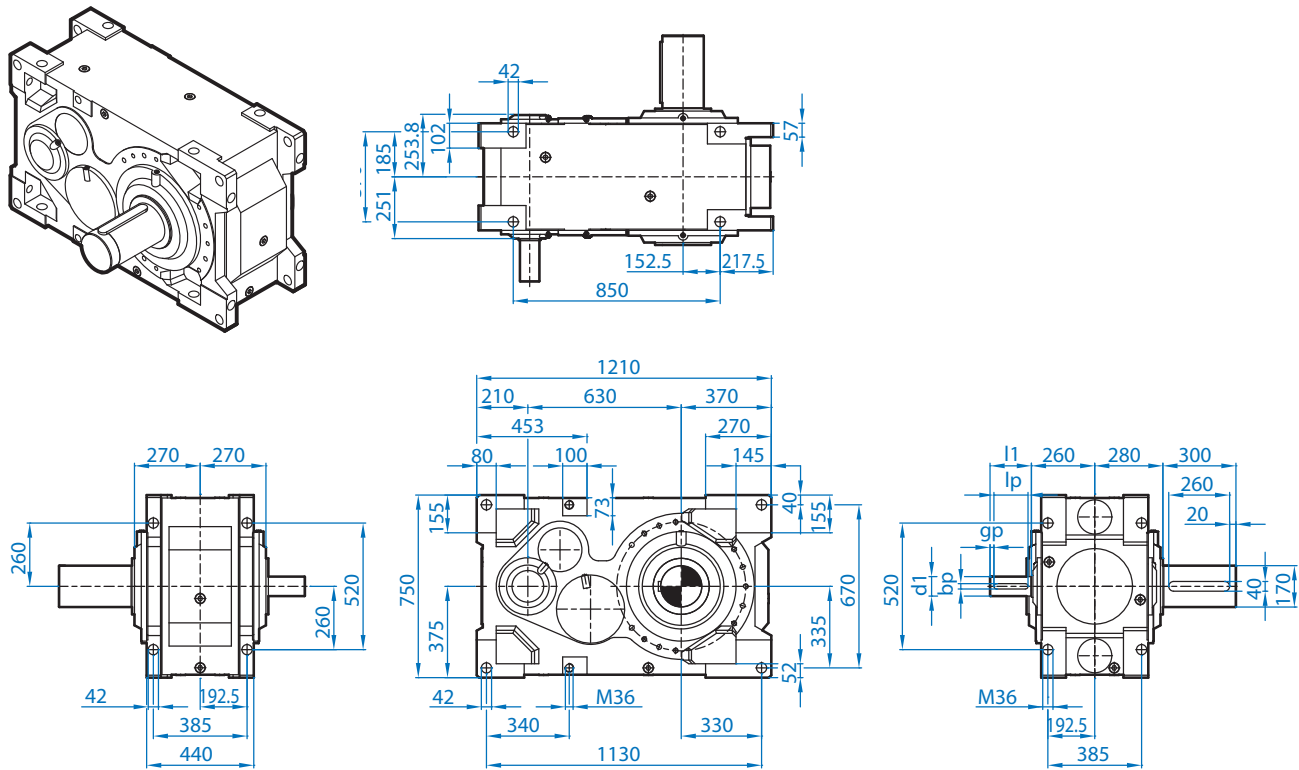
			gM	ø a1	ø b1	ø e1	c	f	z x s	w0°	ø Dmax	Lmax
SK 10207	NEMA	254/256 TC	494,5	350	215,9	184,15	38	4	4 x 1/2-13	45	220	172
		284/286 TC	494,5	350	266,7	228,6	38	4	4 x 1/2-13	45	220	172
		324/326 TC	505,5	400	317,5	279,4	51	4	4 x 5/8-11	45	265	183
		364/365 TC	535,5	450	317,5	279,4	52	4	4 x 5/8-11	45	280	213
		404/405 TC	549,5	550	317,5	279,4	70	6	4 x 5/8-11	45	330	227
		444/445 TC	581,5	550	406,4	355,6	102	6	4 x 5/8-11	45	330	259
		447/449 TC	576,5	660	406,4	355,6	67	6	4 x 5/8-11	45	330	254
SK 10307	NEMA	254/256 TC	494,5	350	215,9	184,15	38	4	4 x 1/2-13	45	220	172
		284/286 TC	494,5	350	266,7	228,6	38	4	4 x 1/2-13	45	220	172
		324/326 TC	505,5	400	317,5	279,4	51	4	4 x 5/8-11	45	265	183
		364/365 TC	535,5	450	317,5	279,4	52	4	4 x 5/8-11	45	280	213
		404/405 TC	549,5	550	317,5	279,4	70	6	4 x 5/8-11	45	330	227
		444/445 TC	581,5	550	406,4	355,6	102	6	4 x 5/8-11	45	330	259
		447/449 TC	576,5	660	406,4	355,6	67	6	4 x 5/8-11	45	330	254

Dimensions

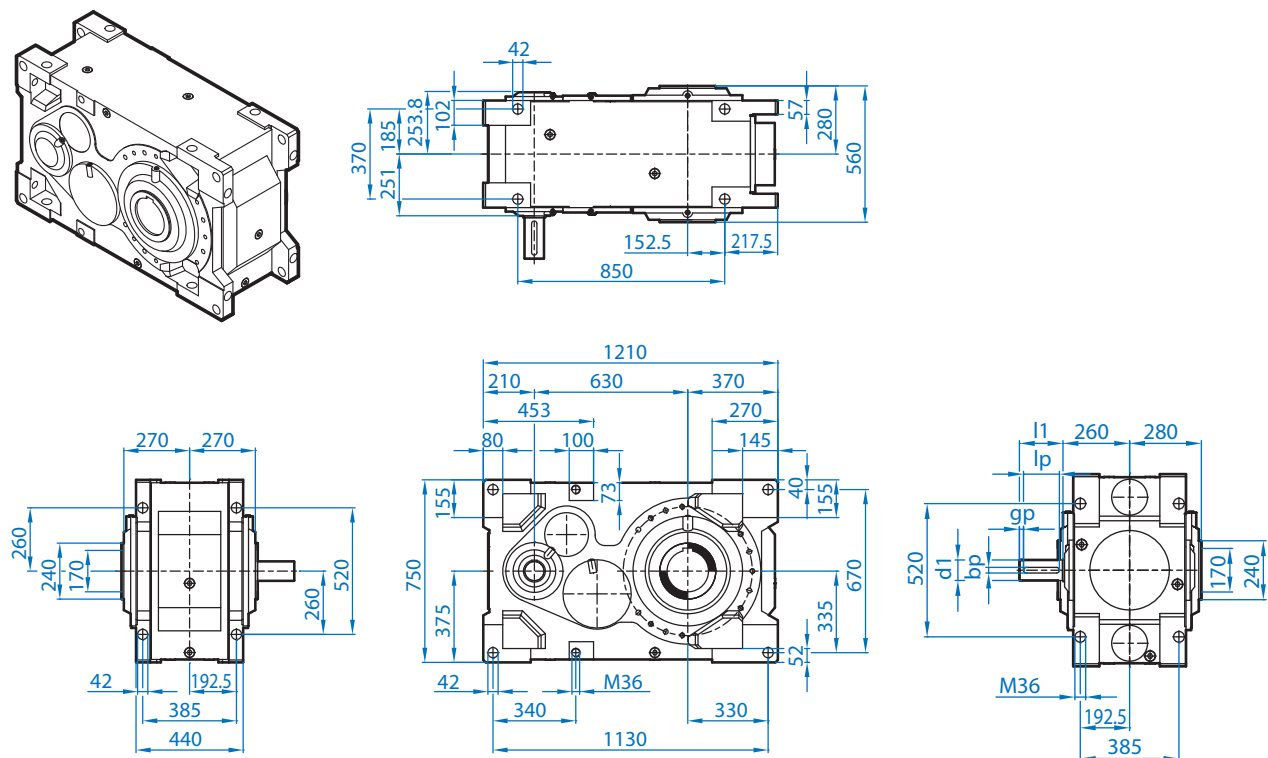
# SK 11207 / SK 11307



## SK 11207 / 11307 V

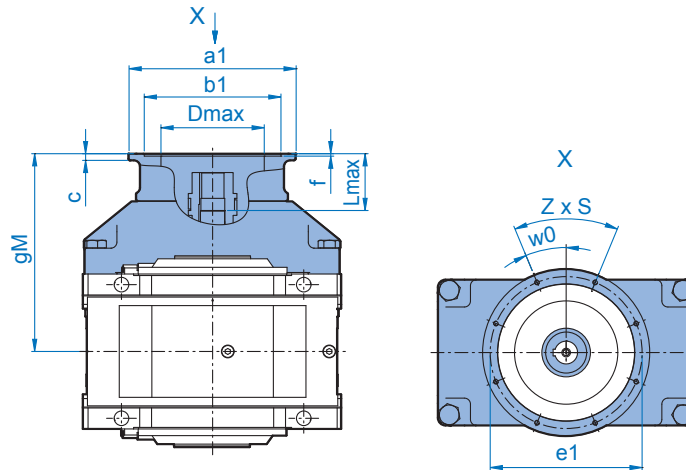


## SK 11207 / 11307 A





## SK 11207 / SK 11307



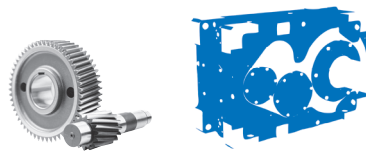
		gM	ø a1	ø b1	ø e1	c	f	z x s	w0°	ø Dmax	Lmax	
SK 11207	IEC <sup>1)</sup>	160	545	350	250	300	15	6,5	4 x 17,5	45	228	115
		180	545	350	250	300	15	6,5	4 x 17,5	45	228	115
		200	545	400	300	350	17	6,5	4 x 17,5	45	276	115
		225	575	450	350	400	18	6,5	8 x 17,5	22,5	290	145
		250	575	550	450	500	22	8	8 x M16	22,5	340	145
		280	575	550	450	500	22	8	8 x M16	22,5	340	145
	TN <sup>2)</sup>	315	605	660	550	600	22	8	8 x 22	22,5	340	175
		315T	605	800	680	740	25	8	8 x 22	22,5	340	175
SK 11307	IEC <sup>1)</sup>	160	545	350	250	300	15	6,5	4 x 17,5	45	228	145
		180	545	350	250	300	15	6,5	4 x 17,5	45	228	145
		200	545	400	300	350	17	6,5	4 x 17,5	45	276	145
		225	575	450	350	400	18	6,5	8 x 17,5	22,5	290	175
		250	575	550	450	500	22	8	8 x M16	22,5	340	175
		280	575	550	450	500	22	8	8 x M16	22,5	340	175
	TN <sup>2)</sup>	315	605	660	550	600	22	8	8 x 22	22,5	340	205
		315T	605	800	680	740	25	8	8 x 22	22,5	340	205
		355T	605	900	780	840	25	8	8 x 22	22,5	340	205

<sup>1)</sup> Type designation and dimensions up to 200kW correspond to NORD motors    <sup>2)</sup> Data for Transnorm motors available on request

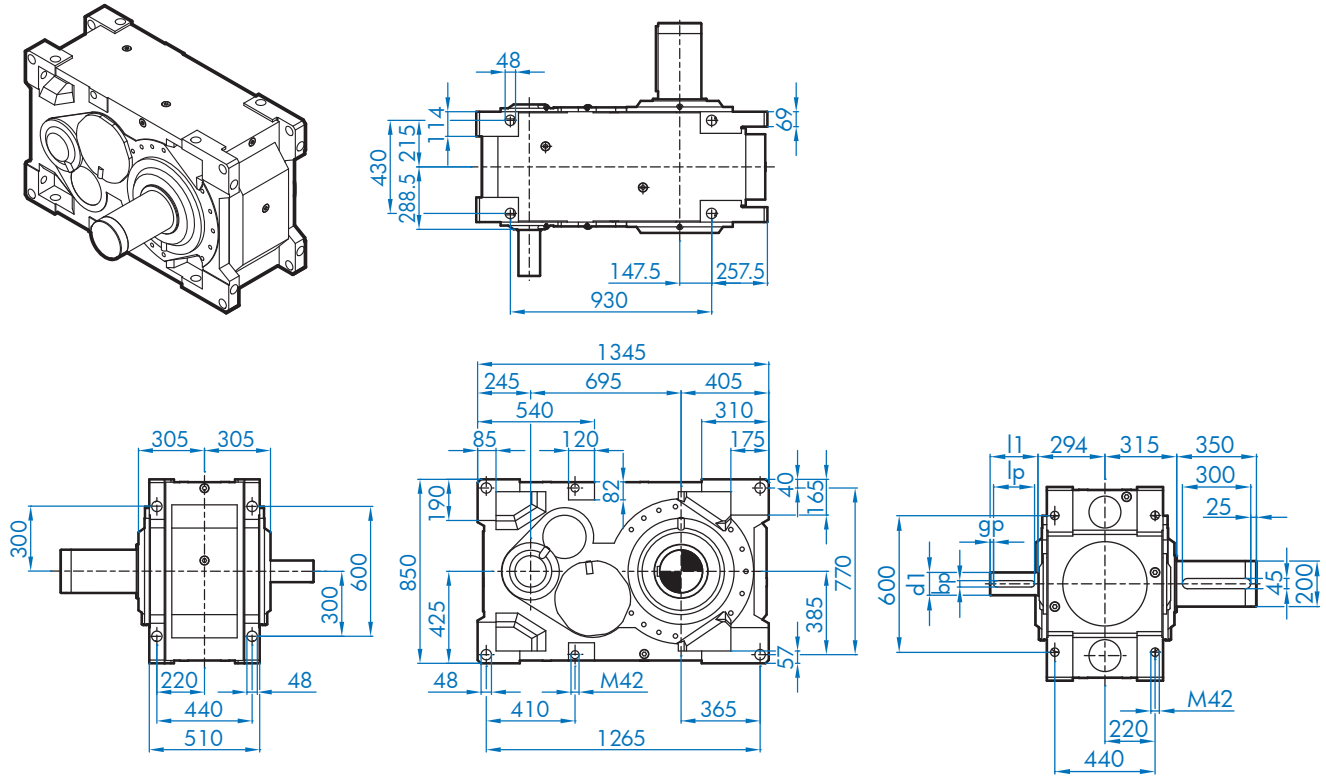
		gM	ø a1	ø b1	ø e1	c	f	z x s	w0°	ø Dmax	Lmax	
SK 11207	NEMA	254/256 TC	568	350	215,9	184,15	38	4	4 x 1/2-13	45	220	138
		284/286 TC	568	350	266,7	228,6	38	4	4 x 1/2-13	45	220	138
		324/326 TC	579	400	317,5	279,4	51	4	4 x 5/8-11	45	265	149
		364/365 TC	609	450	317,5	279,4	52	4	4 x 5/8-11	45	280	179
		404/405 TC	623	550	317,5	279,4	70	6	4 x 5/8-11	45	330	193
		444/445 TC	655	550	406,4	355,6	102	6	4 x 5/8-11	45	330	225
		447/449 TC	650	660	406,4	355,6	67	6	4 x 5/8-11	45	330	220
SK 11307	NEMA	254/256 TC	568	350	215,9	184,15	38	4	4 x 1/2-13	45	220	168
		284/286 TC	568	350	266,7	228,6	38	4	4 x 1/2-13	45	220	168
		324/326 TC	579	400	317,5	279,4	51	4	4 x 5/8-11	45	265	179
		364/365 TC	609	450	317,5	279,4	52	4	4 x 5/8-11	45	280	209
		404/405 TC	623	550	317,5	279,4	70	6	4 x 5/8-11	45	330	223
		444/445 TC	655	550	406,4	355,6	102	6	4 x 5/8-11	45	330	255
		447/449 TC	650	660	406,4	355,6	67	6	4 x 5/8-11	45	330	250

Dimensions

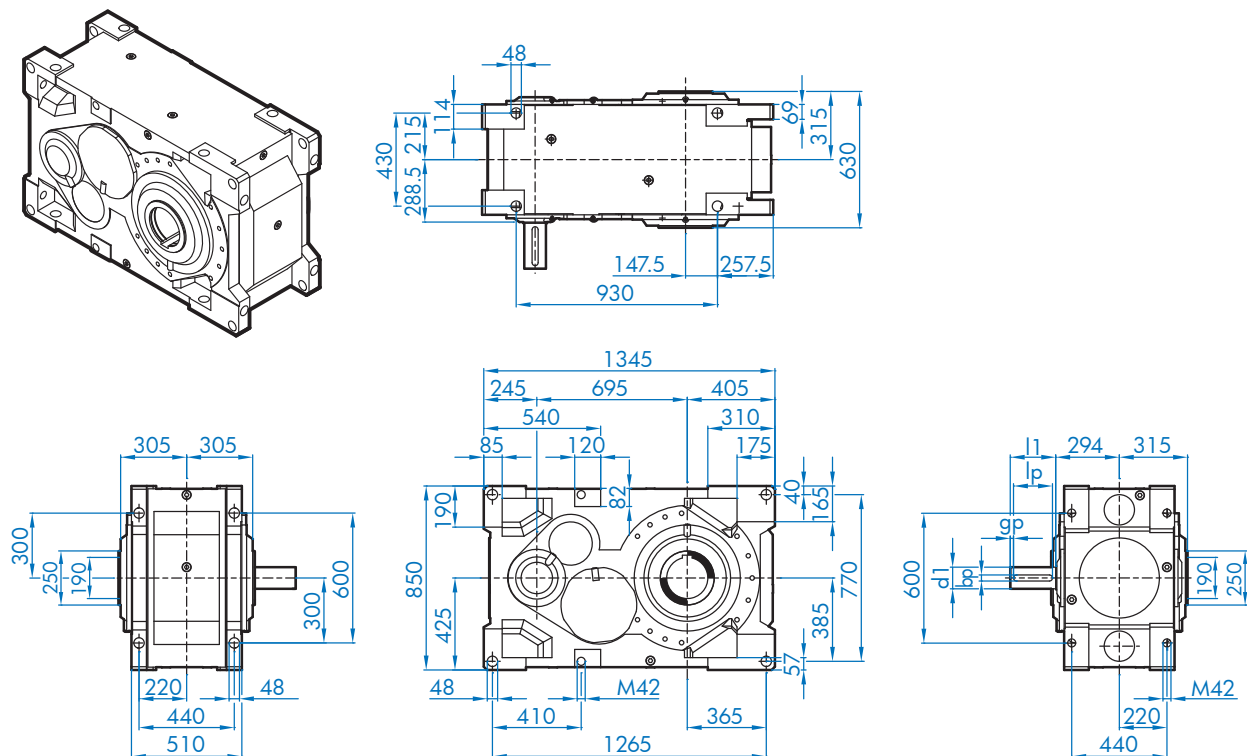
# SK 12207 / SK 12307

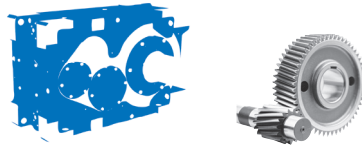


## SK 12207 / 12307 V

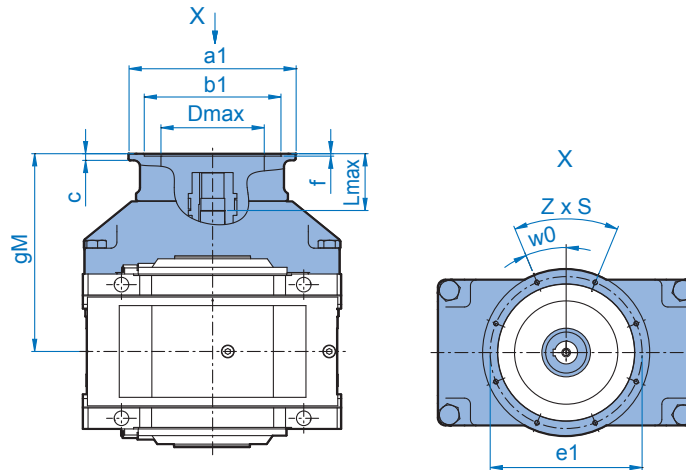


## SK 12207 / 12307 A





## SK 12207 / SK 12307

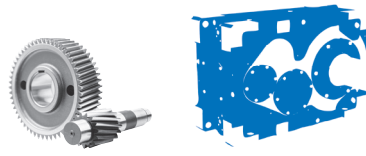


		gM	ø a1	ø b1	ø e1	c	f	z x s	w0°	ø Dmax	Lmax	
SK 12207	IEC <sup>1)</sup>	160	621	350	250	300	15	6,5	4 x 17,5	45	228	117
		180	621	350	250	300	15	6,5	4 x 17,5	45	228	117
		200	621	400	300	350	17	6,5	4 x 17,5	45	276	117
		225	651	450	350	400	18	6,5	8 x 17,5	22,5	290	147
		250	651	550	450	500	22	8	8 x M16	22,5	340	147
		280	651	550	450	500	22	8	8 x M16	22,5	340	147
	TN <sup>2)</sup>	315T	681	660	550	600	22	8	8 x 22	22,5	340	177
		355T	681	800	680	740	25	8	8 x 22	22,5	340	177
SK 12307	IEC <sup>1)</sup>	160	621	350	250	300	15	6,5	4 x 17,5	45	228	157
		180	621	350	250	300	15	6,5	4 x 17,5	45	228	157
		200	621	400	300	350	17	6,5	4 x 17,5	45	276	157
		225	651	450	350	400	18	6,5	8 x 17,5	22,5	290	187
		250	651	550	450	500	22	8	8 x M16	22,5	340	187
		280	651	550	450	500	22	8	8 x M16	22,5	340	187
	TN <sup>2)</sup>	315T	681	660	550	600	22	8	8 x 22	22,5	340	217
		355T	681	800	680	740	25	8	8 x 22	22,5	340	217

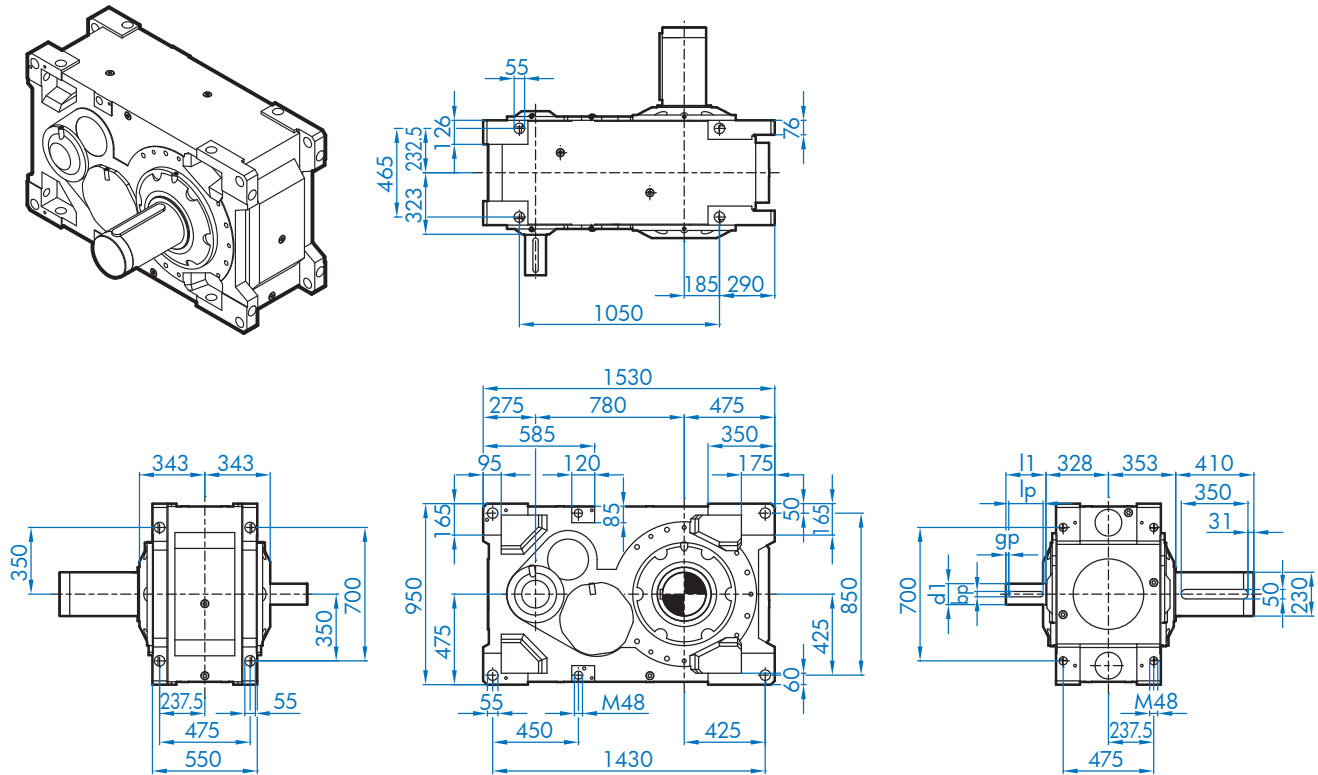
<sup>1)</sup> Type designation and dimensions up to 200kW correspond to NORD motors <sup>2)</sup> Data for Transnorm motors available on request

		gM	ø a1	ø b1	ø e1	c	f	z x s	w0°	ø Dmax	Lmax	
SK 12207	NEMA	254/256 TC	644	350	215,9	184,15	38	4	4 x 1/2-13	45	220	140
		284/286 TC	644	350	266,7	228,6	38	4	4 x 1/2-13	45	220	140
		324/326 TC	655	400	317,5	279,4	51	4	4 x 5/8-11	45	265	151
		364/365 TC	685	450	317,5	279,4	52	4	4 x 5/8-11	45	280	181
		404/405 TC	699	550	317,5	279,4	70	6	4 x 5/8-11	45	330	195
		444/445 TC	731	550	406,4	355,6	102	6	4 x 5/8-11	45	330	227
		447/449 TC	726	660	406,4	355,6	67	6	4 x 5/8-11	45	330	222
SK 12307	NEMA	254/256 TC	644	350	215,9	184,15	38	4	4 x 1/2-13	45	220	180
		284/286 TC	644	350	266,7	228,6	38	4	4 x 1/2-13	45	220	180
		324/326 TC	655	400	317,5	279,4	51	4	4 x 5/8-11	45	265	191
		364/365 TC	685	450	317,5	279,4	52	4	4 x 5/8-11	45	280	221
		404/405 TC	699	550	317,5	279,4	70	6	4 x 5/8-11	45	330	235
		444/445 TC	731	550	406,4	355,6	102	6	4 x 5/8-11	45	330	267
		447/449 TC	726	660	406,4	355,6	67	6	4 x 5/8-11	45	330	262

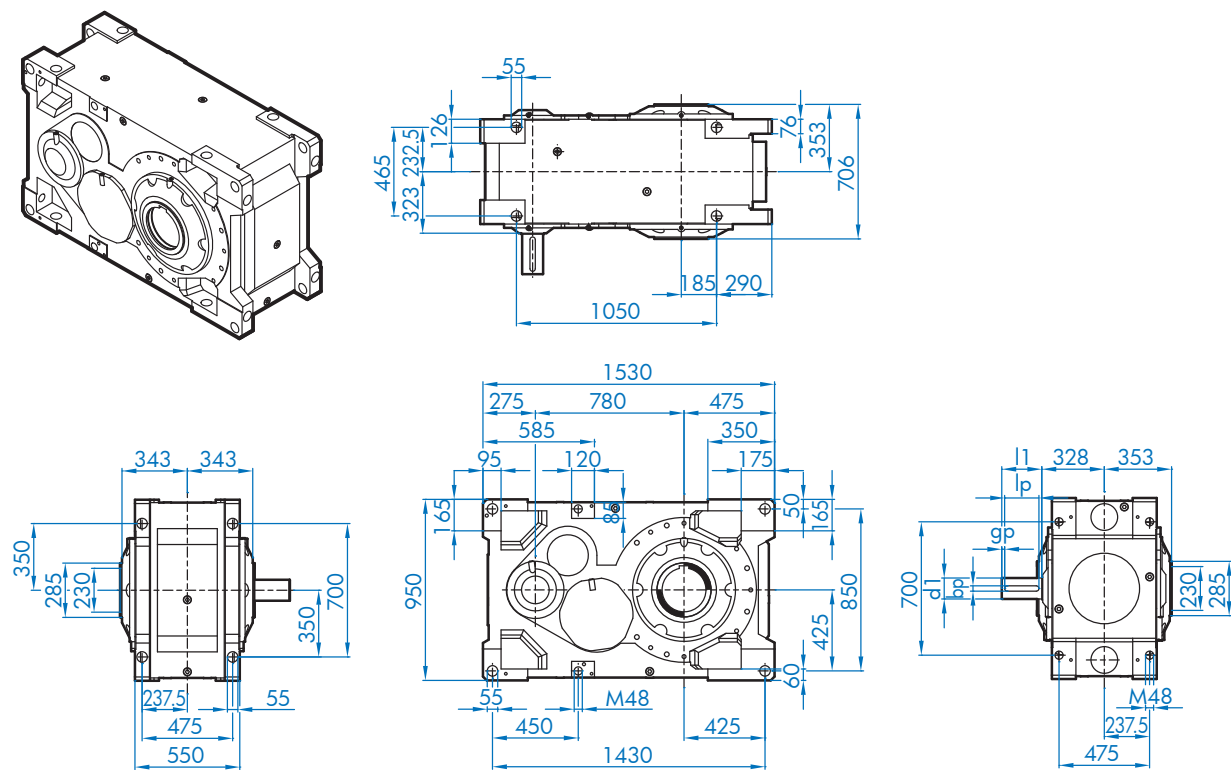
# SK 13207 / SK 13307



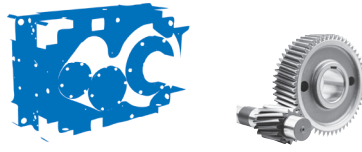
## SK 13207 / 13307 V



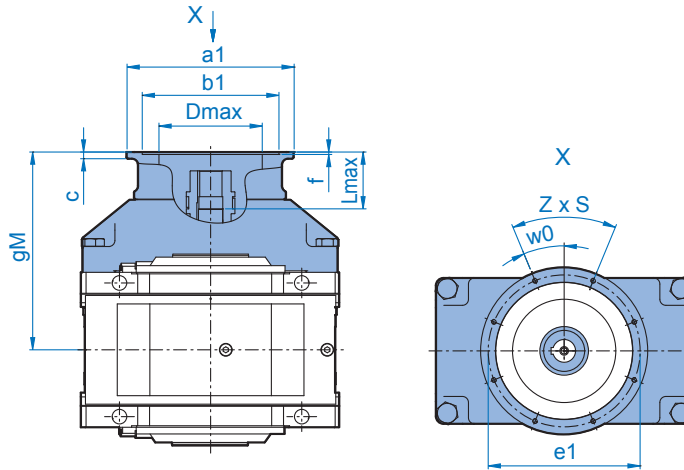
## SK 13207 / 13307 A







## SK 13207 / SK 13307



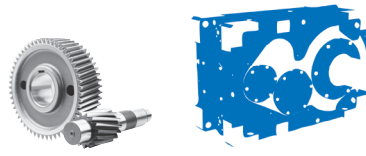
		gM	ø a1	ø b1	ø e1	c	f	z x s	w0°	ø Dmax	Lmax	
SK 13207	IEC 1)	160	656	350	250	300	15	6,5	4 x 17,5	45	228	118
		180	656	350	250	300	15	6,5	4 x 17,5	45	228	118
		200	656	400	300	350	17	6,5	4 x 17,5	45	276	118
		225	686	450	350	400	18	6,5	8 x 17,5	22,5	290	148
		250	686	550	450	500	22	8	8 x M16	22,5	340	148
		280	686	550	450	500	22	8	8 x M16	22,5	340	148
	TN 2)	315	716	660	550	600	22	8	8 x 22	22,5	340	178
		355T	716	900	780	840	25	8	8 x 22	22,5	340	178
SK 13307	IEC 1)	160	656	350	250	300	15	6,5	4 x 17,5	45	228	158
		180	656	350	250	300	15	6,5	4 x 17,5	45	228	158
		200	656	400	300	350	17	6,5	4 x 17,5	45	276	158
		225	686	450	350	400	18	6,5	8 x 17,5	22,5	290	188
		250	686	550	450	500	22	8	8 x M16	22,5	340	188
		280	686	550	450	500	22	8	8 x M16	22,5	340	188
	TN 2)	315	716	660	550	600	22	8	8 x 22	22,5	340	218
		355T	716	900	780	840	25	8	8 x 22	22,5	340	218

1) Type designation and dimensions up to 200kW correspond to NORD motors 2) Data for Transnorm motors available on request

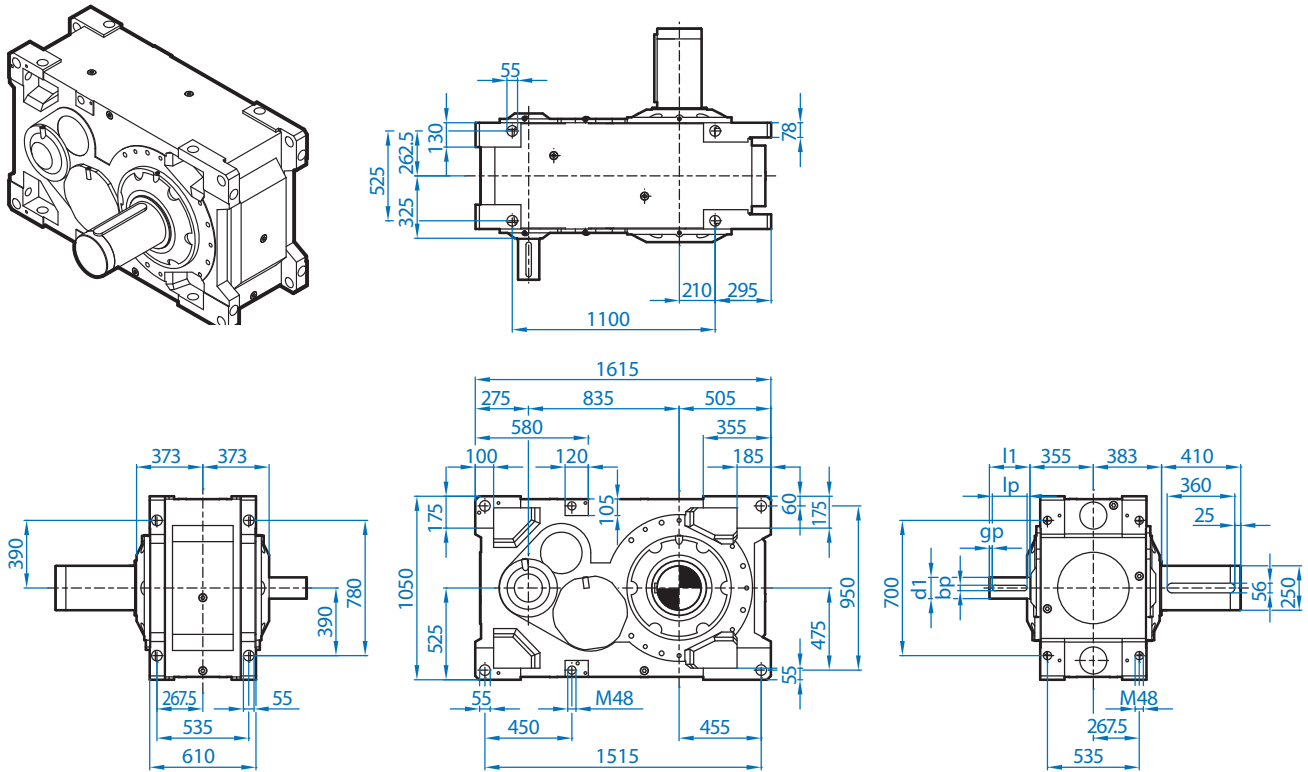
		gM	ø a1	ø b1	ø e1	c	f	z x s	w0°	ø Dmax	Lmax	
SK 13207	NEMA	254/256 TC	679	350	215,9	184,15	38	4	4 x 1/2-13	45	220	141
		284/286 TC	679	350	266,7	228,6	38	4	4 x 1/2-13	45	220	141
		324/326 TC	690	400	317,5	279,4	51	4	4 x 5/8-11	45	265	152
		364/365 TC	720	450	317,5	279,4	52	4	4 x 5/8-11	45	280	182
		404/405 TC	734	550	317,5	279,4	70	6	4 x 5/8-11	45	330	196
		444/445 TC	766	550	406,4	355,6	102	6	4 x 5/8-11	45	330	228
		447/449 TC	761	660	406,4	355,6	67	6	4 x 5/8-11	45	330	223
SK 13307	NEMA	254/256 TC	679	350	215,9	184,15	38	4	4 x 1/2-13	45	220	181
		284/286 TC	679	350	266,7	228,6	38	4	4 x 1/2-13	45	220	181
		324/326 TC	690	400	317,5	279,4	51	4	4 x 5/8-11	45	265	192
		364/365 TC	720	450	317,5	279,4	52	4	4 x 5/8-11	45	280	222
		404/405 TC	734	550	317,5	279,4	70	6	4 x 5/8-11	45	330	236
		444/445 TC	766	550	406,4	355,6	102	6	4 x 5/8-11	45	330	268
447/449 TC	761	660	406,4	355,6	67	6	4 x 5/8-11	45	330	263		

Dimensions

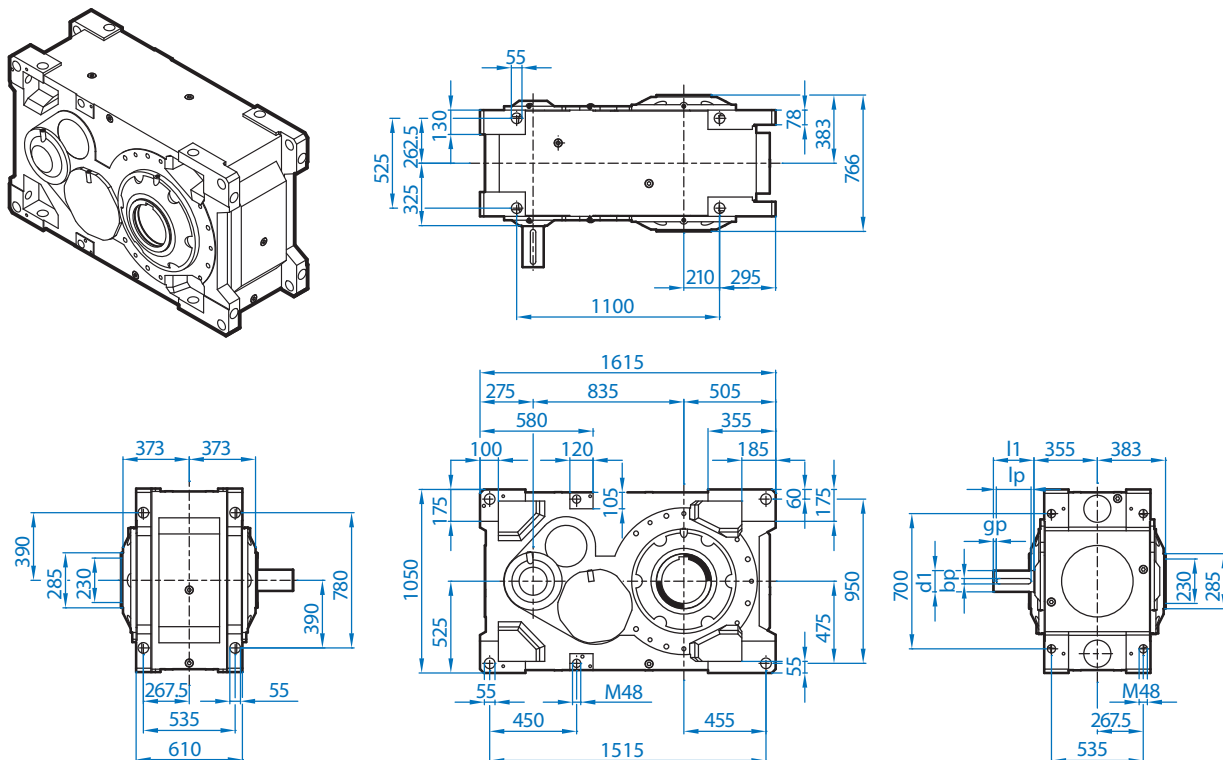
# SK 1420 / SK 14307

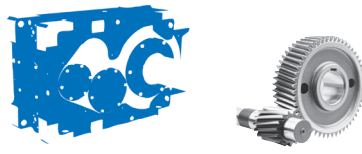


## SK 14207 / 14307 V

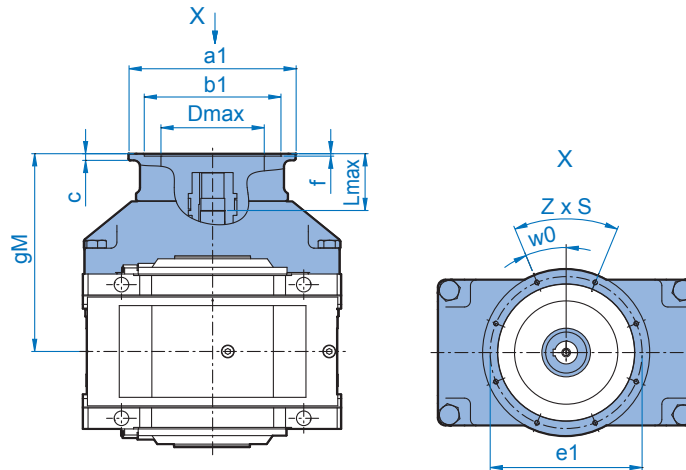


## SK 14207 / 14307 A





## SK 14207 / SK 14307



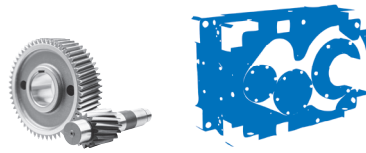
			gM	ø a1	ø b1	ø e1	c	f	z x s	w0°	ø Dmax	Lmax
SK 14207	IEC <sup>1)</sup>	160	686	350	250	300	15	6,5	4 x 17,5	45	228	118
		180	686	350	250	300	15	6,5	4 x 17,5	45	228	118
		200	686	400	300	350	17	6,5	4 x 17,5	45	276	118
		225	716	450	350	400	18	6,5	8 x 17,5	22,5	290	148
		250	716	550	450	500	22	8	8 x M16	22,5	340	148
		280	716	550	450	500	22	8	8 x M16	22,5	340	148
	TN <sup>2)</sup>	315	746	660	550	600	22	8	8 x 22	22,5	340	178
		355	746	900	780	840	25	8	8 x 22	22,5	340	178
SK 14307	IEC <sup>1)</sup>	160	686	350	250	300	15	6,5	4 x 17,5	45	228	158
		180	686	350	250	300	15	6,5	4 x 17,5	45	228	158
		200	686	400	300	350	17	6,5	4 x 17,5	45	276	158
		225	716	450	350	400	18	6,5	8 x 17,5	22,5	290	188
		250	716	550	450	500	22	8	8 x M16	22,5	340	188
		280	716	550	450	500	22	8	8 x M16	22,5	340	188
	TN <sup>2)</sup>	315	746	660	550	600	22	8	8 x 22	22,5	340	218
		355	746	900	780	840	25	8	8 x 22	22,5	340	218

<sup>1)</sup> Type designation and dimensions up to 200kW correspond to NORD motors <sup>2)</sup> Data for Transnorm motors available on request

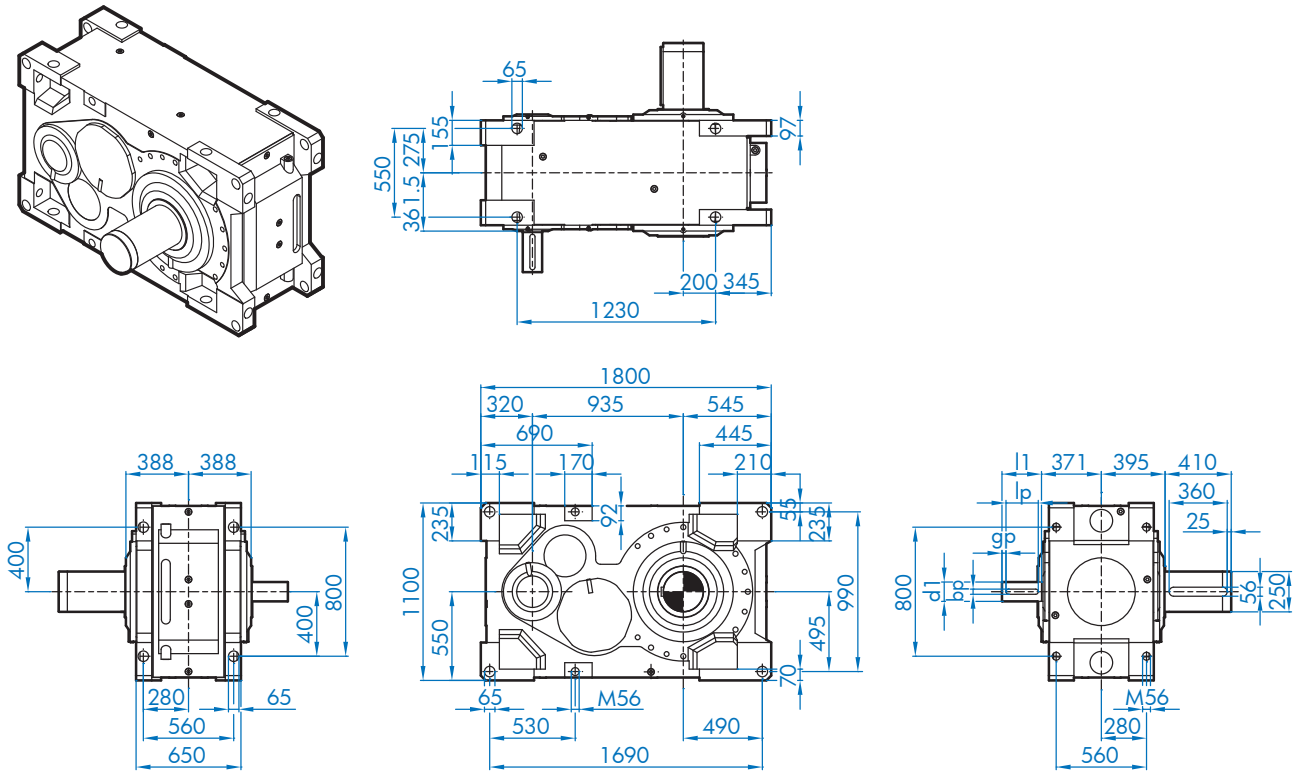
			gM	ø a1	ø b1	ø e1	c	f	z x s	w0°	ø Dmax	Lmax
SK 14207	NEMA	254/256 TC	709	350	215,9	184,15	38	4	4 x 1/2-13	45	220	141
		284/286 TC	709	350	266,7	228,6	38	4	4 x 1/2-13	45	220	141
		324/326 TC	709	400	317,5	279,4	51	4	4 x 5/8-11	45	265	152
		364/365 TC	739	450	317,5	279,4	52	4	4 x 5/8-11	45	280	182
		404/405 TC	739	550	317,5	279,4	70	6	4 x 5/8-11	45	330	196
		444/445 TC	769	550	406,4	355,6	102	6	4 x 5/8-11	45	330	228
		447/449 TC	769	660	406,4	355,6	67	6	4 x 5/8-11	45	330	223
SK 14307	NEMA	254/256 TC	709	350	215,9	184,15	38	4	4 x 1/2-13	45	220	181
		284/286 TC	709	350	266,7	228,6	38	4	4 x 1/2-13	45	220	181
		324/326 TC	709	400	317,5	279,4	51	4	4 x 5/8-11	45	265	192
		364/365 TC	739	450	317,5	279,4	52	4	4 x 5/8-11	45	280	222
		404/405 TC	739	550	317,5	279,4	70	6	4 x 5/8-11	45	330	236
		444/445 TC	769	550	406,4	355,6	102	6	4 x 5/8-11	45	330	268
		447/449 TC	769	660	406,4	355,6	67	6	4 x 5/8-11	45	330	263

Dimensions

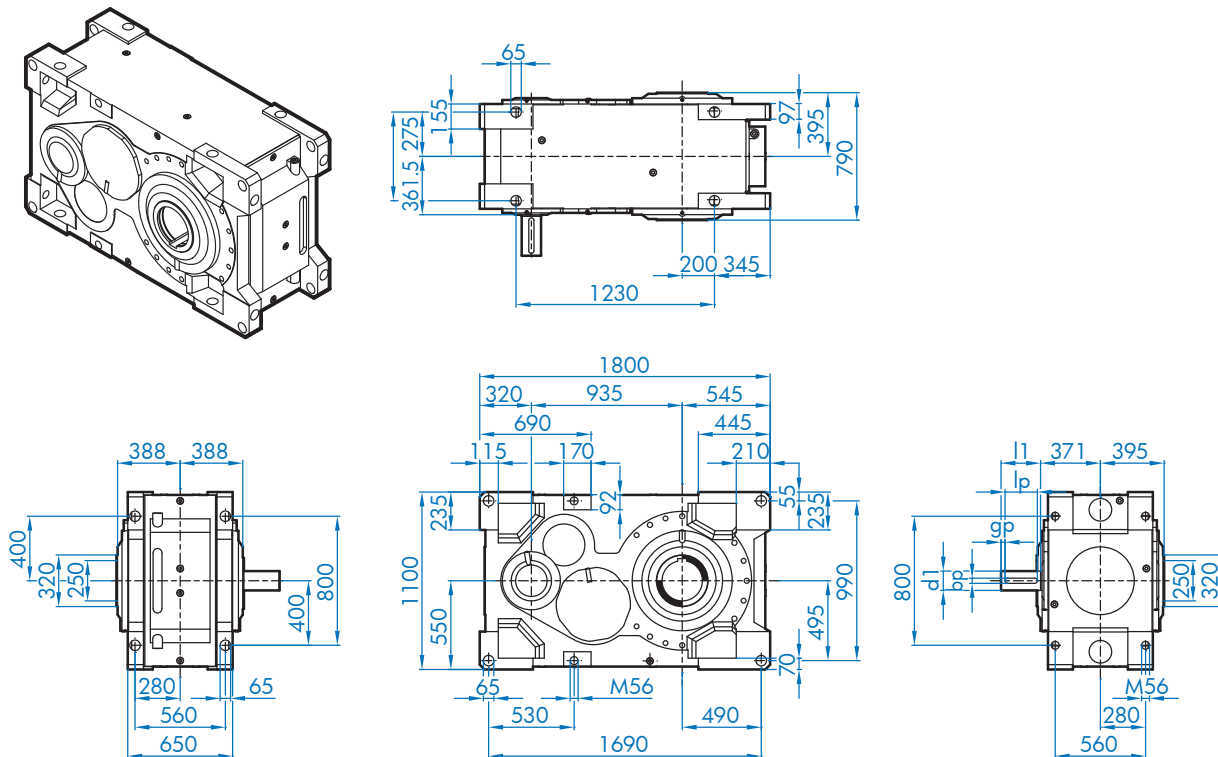
# SK 15207 / SK 15307



## SK 15207 / 15307 V

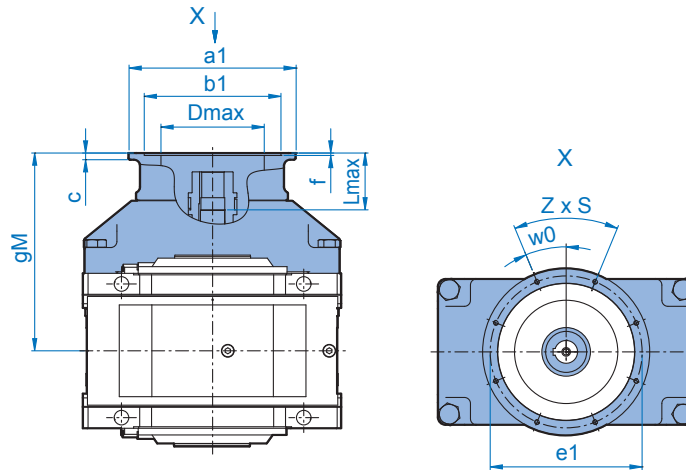


## SK 15207 / 15307 A





## SK 15207 / SK 15307



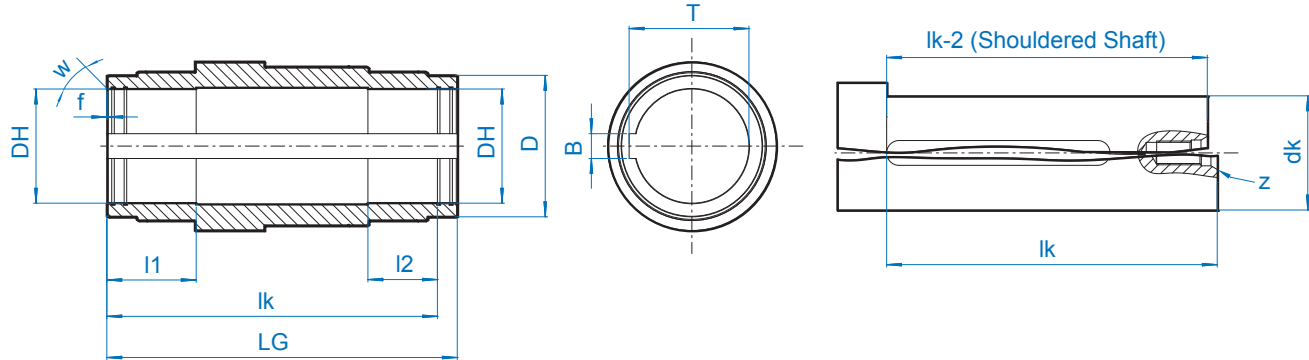
			gM	ø a1	ø b1	ø e1	c	f	z x s	w0°	ø Dmax	Lmax
SK 15207	IEC <sup>1)</sup>	160	735	350	250	300	15	6,5	4 x 17,5	45	228	119
		180	735	350	250	300	15	6,5	4 x 17,5	45	228	119
		200	735	400	300	350	17	6,5	4 x 17,5	45	276	119
		225	765	450	350	400	18	6,5	8 x 17,5	22,5	290	149
		250	765	550	450	500	22	8	8 x M16	22,5	340	149
		280	765	550	450	500	22	8	8 x M16	22,5	340	149
	315	795	660	550	600	22	8	8 x 22	22,5	340	179	
	TN <sup>2)</sup>	315T	795	800	680	740	25	8	8 x 22	22,5	340	179
	355T	795	900	780	840	25	8	8 x 22	22,5	340	179	
SK 15307	IEC <sup>1)</sup>	160	735	350	250	300	15	6,5	4 x 17,5	45	228	154 / 194
		180	735	350	250	300	15	6,5	4 x 17,5	45	228	154 / 194
		200	735	400	300	350	17	6,5	4 x 17,5	45	276	154 / 194
		225	765	450	350	400	18	6,5	8 x 17,5	22,5	290	184 / 224
		250	765	550	450	500	22	8	8 x M16	22,5	340	184 / 224
		280	765	550	450	500	22	8	8 x M16	22,5	340	184 / 224
	315	795	660	550	600	22	8	8 x 22	22,5	340	214 / 254	
	TN <sup>2)</sup>	315T	795	800	680	740	25	8	8 x 22	22,5	340	214 / 254
	355T	795	900	780	840	25	8	8 x 22	22,5	340	214 / 254	

<sup>1)</sup> Type designation and dimensions up to 200kW correspond to NORD motors <sup>2)</sup> Data for Transnorm motors available on request

			gM	ø a1	ø b1	ø e1	c	f	z x s	w0°	ø Dmax	Lmax
SK 15207	NEMA	254/256 TC	758	350	215,9	184,15	38	4	4 x 1/2-13	45	220	142
		284/286 TC	758	350	266,7	228,6	38	4	4 x 1/2-13	45	220	142
		324/326 TC	769	400	317,5	279,4	51	4	4 x 5/8-11	45	265	153
		364/365 TC	799	450	317,5	279,4	52	4	4 x 5/8-11	45	280	183
		404/405 TC	813	550	317,5	279,4	70	6	4 x 5/8-11	45	330	197
		444/445 TC	845	550	406,4	355,6	102	6	4 x 5/8-11	45	330	229
		447/449 TC	840	660	406,4	355,6	67	6	4 x 5/8-11	45	330	224
SK 15307	NEMA	254/256 TC	758	350	215,9	184,15	38	4	4 x 1/2-13	45	220	177 / 217
		284/286 TC	758	350	266,7	228,6	38	4	4 x 1/2-13	45	220	177 / 217
		324/326 TC	769	400	317,5	279,4	51	4	4 x 5/8-11	45	265	188 / 228
		364/365 TC	799	450	317,5	279,4	52	4	4 x 5/8-11	45	280	218 / 258
		404/405 TC	813	550	317,5	279,4	70	6	4 x 5/8-11	45	330	232 / 272
		444/445 TC	845	550	406,4	355,6	102	6	4 x 5/8-11	45	330	264 / 304
		447/449 TC	840	660	406,4	355,6	67	6	4 x 5/8-11	45	330	259 / 299

# A - Keyed Hollow Shaft AVL2/3/4 - Agitator & Drywell Hollow Shaft

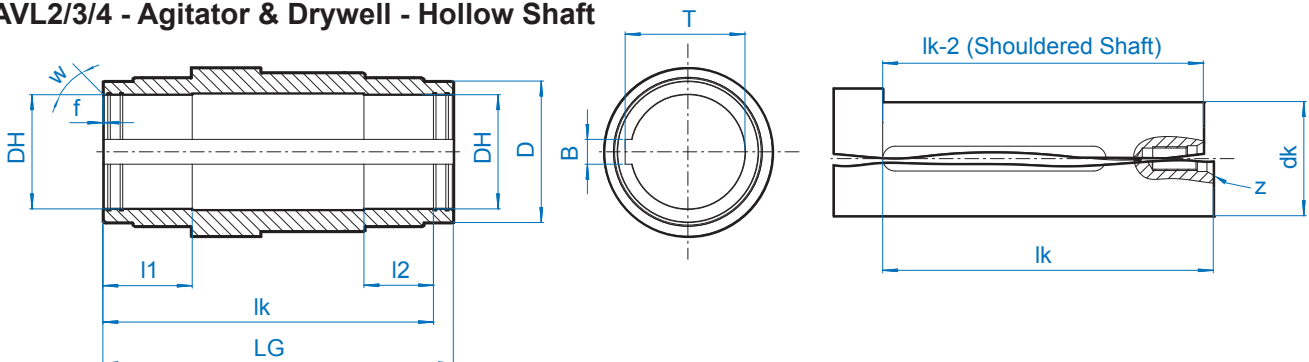
## A - Keyed Hollow Shaft & Customer Shaft Detail



	$\varnothing DH^{H7}$	LG	$\varnothing dk^{h6}$	lk	lk-2	l1	l2	$\varnothing D$	f	w	B	T	z
SK 5.07	105	385	105	355	353	100	70	140	3	15	28	111,4	M24
SK 6.07	105	385	105	355	353	100	70	140	3	15	28	111,4	M24
SK 7.07	125	394	125	359	357	100	65	160	2	30	32	132,4	M24
SK 8.07	125	394	125	359	357	100	65	160	2	30	32	132,4	M24
SK 9.07 *	160 (145)	506	160	486	484	130	95	220	2	30	40	169,4	M30
SK 10.07 *	160 (145)	506	160	486	484	130	95	220	2	30	40	169,4	M30
SK 11.07	170	560	170	525	523	140	105	240	2	30	40	179,4	M30
SK 12.07	190	630	190	595	593	160	125	250	2	30	45	200,4	M30
SK 13.07	230	706	230	666	664	180	140	285	2	30	50	241,4	M48
SK 14.07	230	766	230	726	724	180	140	285	2	30	50	241,4	M48
SK 15.07	250	790	250	745	743	200	155	320	2	30	56	262,4	M48

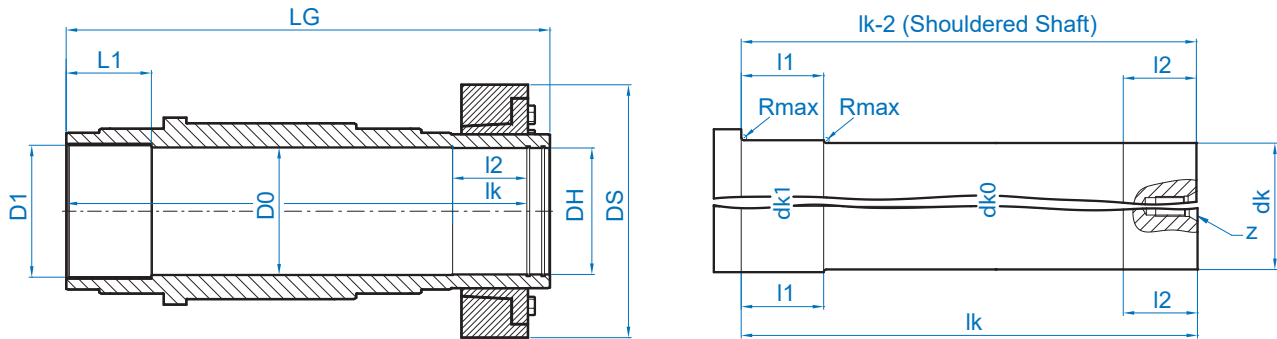
\* with option DRY max  $\varnothing$  145

## AVL2/3/4 - Agitator & Drywell - Hollow Shaft



	$\varnothing DH^{H7}$	LG	$\varnothing dk^{h6}$	lk	lk-2	l1	l2	$\varnothing D$	f	w	B	T	z
SK 5.07	105	594	105	564	562	100	70	140	3	15	28	111,4	M24
SK 6.07	105	594	105	564	562	100	70	140	3	15	28	111,4	M24
SK 7.07	125	682	125	647	645	100	80	160	2	30	32	132,4	M24
SK 8.07	125	682	125	647	645	100	80	160	2	30	32	132,4	M24
SK 9.07	130	770,5	130	745,5	743,5	110	80	220	2	30	40	169,4	M36
SK 10.07	130	770,5	130	745,5	743,5	110	80	220	2	30	40	169,4	M36
SK 11.07	170	730	170	695	693	140	105	240	2	30	40	179,4	M36
SK 12.07	190	800	190	765	763	160	125	250	2	30	45	200,4	M36
SK 13.07	230	896	230	856	854	180	140	285	2	30	50	241,4	M48
SK 14.07	230	956	230	916	914	180	140	285	2	30	50	241,4	M48
SK 15.07	250	1040	250	995	993	200	155	320	2	30	56	262,4	M48

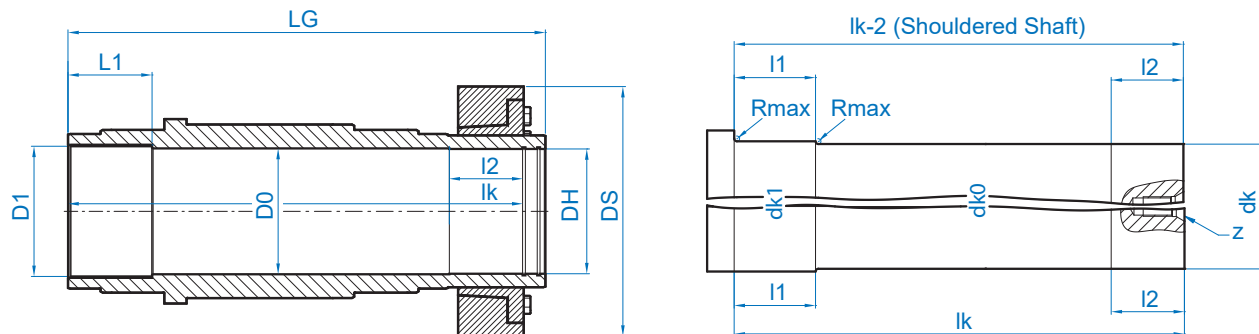
### AS - Shrink Disc Hollow Shaft



	ø DH <sup>H7</sup>	ø D0	ø D1	L1	ø DS	LG	ø dk1 <sup>h8</sup>	ø dk0	ø dk	lk	lk-2	l1	l2	Rmax	z
SK 5.07	110	110,5	110	85	230	458	110	110	110 h6	448	446	80	65	3	M24
SK 6.07	110	110,5	110	85	230	458	110	110	110 h6	448	446	80	65	3	M24
SK 7.07	125	125,5	125	90	290	484	125	125	125 h6	465	463	100	65	3	M24
SK 8.07	125	125,5	125	90	290	484	125	125	125 h6	465	463	100	65	3	M24
SK 9.07 *	160 (145)	160,5	160	110	320	628	160	160	160 h6	596	594	110	85	3	M30
SK 10.07*	160 (145)	160,5	160	110	320	628	160	160	160 h6	596	594	110	85	3	M30
SK 11.07	170	172	180	125	370	690	180	170	170 g6	658	656	125	105	5	M30
SK 12.07	190	192	200	135	405	770	200	190	190 g6	736	734	130	120	5	M30
SK 13.07	230	232	240	155	460	880	240	230	230 g6	838	836	150	135	5	M48
SK 14.07	230	232	240	155	460	940	240	230	230 g6	898	896	150	135	5	M48
SK 15.07	250	252	260	175	485	970	260	250	250 g6	928	926	175	150	5	M48

\* to Option DRY max. ø145

### ASVL2/3/4 - Agitator & Drywell - Hollow Shaft with Shrink Disc

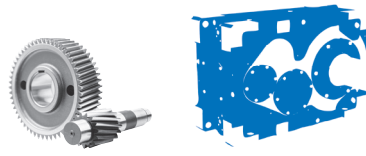


	ø DH <sup>H7</sup>	ø D0	ø D1	L1	ø DS	LG	ø dk1 <sup>h8</sup>	ø dk0	ø dk	lk	lk2	l1	l2	Rmax	z
SK 5.07	110	110,5	110	85	230	667	110	110	110 h6	657	655	80	65	3	M24
SK 6.07	110	110,5	110	85	230	667	110	110	110 h6	657	655	80	65	3	M24
SK 7.07	125	125,5	125	90	300	767	125	125	125 h6	752	750	100	65	3	M24
SK 8.07	125	125,5	125	90	300	767	125	125	125 h6	752	750	100	65	3	M24
SK 9.07	130	160,5	160	110	320	889,5	160	160	160 h6	854,5	852,5	110	82	3	M36
SK 10.07	130	160,5	160	110	320	889,5	160	160	160 h6	854,5	852,5	110	82	3	M36
SK 11.07	170	172	180	125	370	860	180	170	170 g6	835	833	125	105	5	M36
SK 12.07	190	192	200	135	405	940	200	190	190 g6	926	924	130	120	5	M36
SK 13.07	230	232	240	155	460	1070	240	230	230 g6	1034	1032	155	135	5	M48
SK 14.07	230	232	240	155	460	1130	240	230	230 g6	1084	1082	155	135	5	M48
SK 15.07	250	252	260	175	485	1220	260	250	250 g6	1194	1192	170	150	5	M48

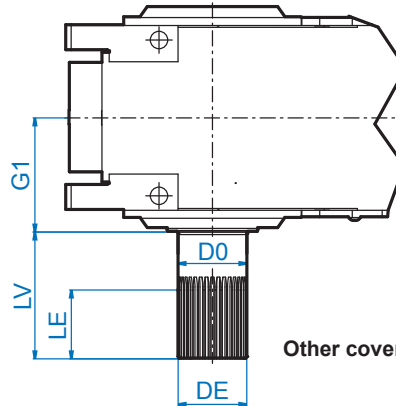
Dimensions

For Tolerance Info See 48

# EV - Splined Solid Shaft EA - Splined Hollow Shaft



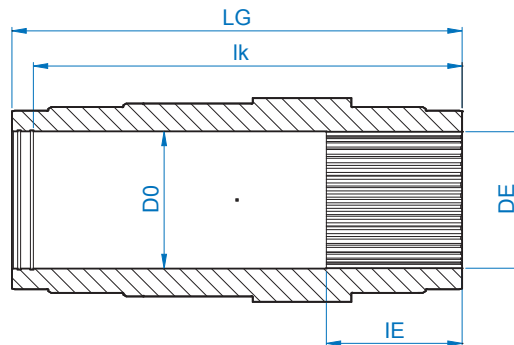
## EV - Splined Solid Shaft



Other cover sizes available upon request

	DE	LE	G1	LV	ø D0
SK 5.07	W 100 x 5 x 30 x 18 - DIN 5480	85	192,5	210	100
SK 6.07	W 100 x 5 x 30 x 18 - DIN 5480	85	192,5	210	100
SK 7.07	W 130 x 5 x 30 x 24 - DIN 5480	85	197	250	130
SK 8.07	W 130 x 5 x 30 x 24 - DIN 5480	85	197	250	130
SK 9.07	W 140 x 3 x 30 x 45 - DIN 5480	100	253	300	140
SK 10.07	W 140 x 3 x 30 x 45 - DIN 5480	100	253	300	140
SK 11.07	W 170 x 5 x 30 x 32 - DIN 5480	160	280	300	170
SK 12.07	W 190 x 5 x 30 x 36 - DIN 5480	190	315	350	190
SK 13.07	W 220 x 5 x 30 x 42 - DIN 5480	215	353	410	220
SK 14.07	W 220 x 5 x 30 x 42 - DIN 5480	215	353	410	220
SK 15.07	W 250 x 5 x 30 x 48 - DIN 5480	245	395	410	250

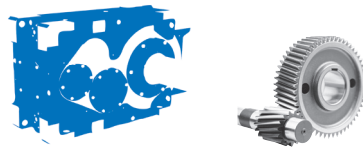
## EA - Splined Hollow Shaft



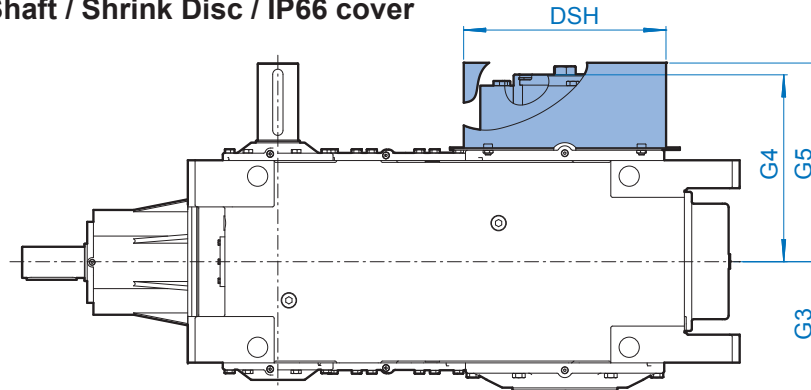
	DE	LE	LG	ø D0	lk
SK 5.07	N 100 x 5 x 30 x 18 - DIN 5480	85	385	100	355
SK 6.07	N 100 x 5 x 30 x 18 - DIN 5480	85	385	100	355
SK 7.07	N 130 x 5 x 30 x 24 - DIN 5480	85	394	130	374
SK 8.07	N 130 x 5 x 30 x 24 - DIN 5480	85	394	130	374
SK 9.07 *	N 140 x 3 x 30 x 45 - DIN 5480	100	506	140	476
SK 10.07*	N 140 x 3 x 30 x 45 - DIN 5480	100	506	140	476
SK 11.07	N 170 x 5 x 30 x 32 - DIN 5480	160	560	170	525
SK 12.07	N 190 x 5 x 30 x 36 - DIN 5480	190	630	190	595
SK 13.07	N 220 x 5 x 30 x 42 - DIN 5480	215	706	220	666
SK 14.07	N 220 x 5 x 30 x 42 - DIN 5480	215	706	220	666
SK 15.07	N 250 x 5 x 30 x 48 - DIN 5480	245	790	250	745

\* Deviating dimensions with option DRY, please contact NORD DRIVESYSTEMS.



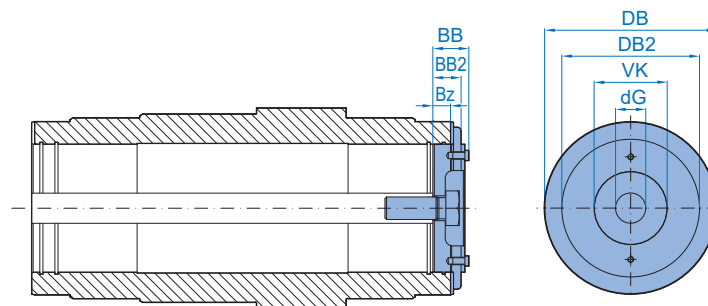


## H/H66 - Hollow Shaft / Shrink Disc / IP66 cover



	ø DSH	G3	G4	G5
SK 5.07	258	192,5	255,5	287,5
SK 6.07	258	192,5	255,5	287,5
SK 7.07	319	199	286	308
SK 8.07	319	199	286	308
SK 9.07	453	253	373	393
SK 10.07	453	253	373	393
SK 11.07	460	280	410	440
SK 12.07	500	315	455	480
SK 13.07	550	353	527	555
SK 14.07	550	383	557	585
SK 15.07	630	395	575	605

## B - Fixing Kit

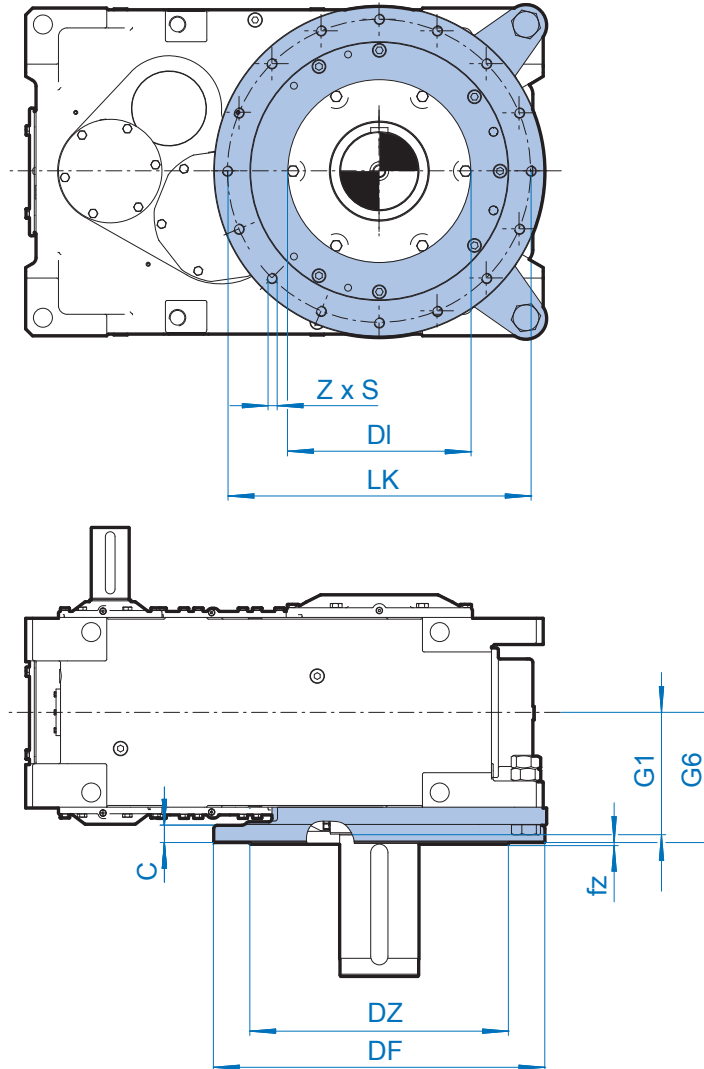


	ø DB	ø DB2	ø VK	BB	BB2	Bz	ø dG
SK 5.07	135	124,8	62	30,0	30,0	10,0	26 (M24)
SK 6.07	135	124,8	62	30,0	30,0	10,0	26 (M24)
SK 7.07	155	124,8	49	27,0	22,0	10,0	26 (M24)
SK 8.07	155	124,8	49	27,0	22,0	10,0	26 (M24)
SK 9.07	215	159,8	100	42,5	27,5	15,5	33 (M36)
SK 10.07	215	159,8	100	42,5	27,5	15,5	33 (M36)
SK 11.07	215	169,8	100	42,5	37,5	27,5	33 (M36)
SK 12.07	235	189,8	100	44,5	39,5	29,5	33 (M36)
SK 13.07	275	229,8	100	56,5	51,5	36,5	52 (M48)
SK 14.07	275	229,8	100	56,5	51,5	36,5	52 (M48)
SK 15.07	295	ø 249,8	100	56,5	51,5	36,5	52 (M48)

# F - Low Output Flange

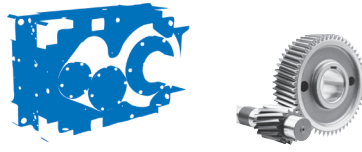


## F - Low Output Flange

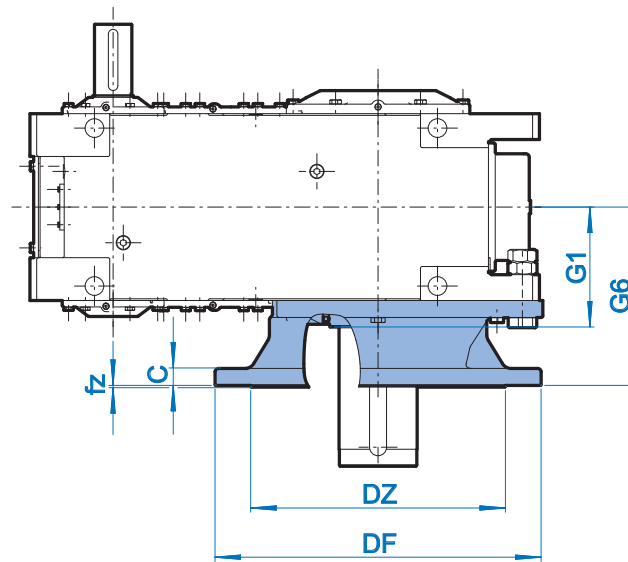
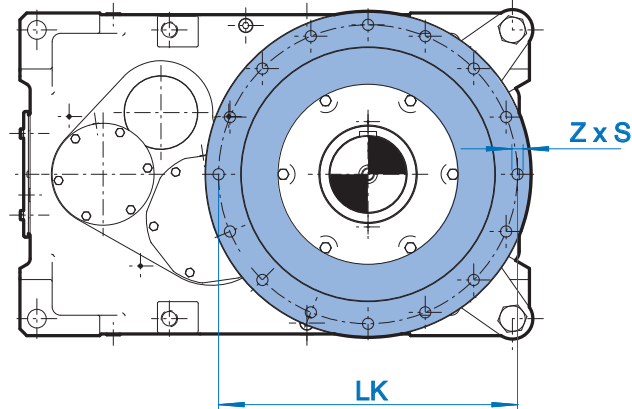


Dimensions

	$\varnothing$ DF	G1	G6	$\varnothing$ LK	$\varnothing$ DZ	$\varnothing$ DI	c	fz	z	s
SK 5.07	450	192,5	234,5	400	350	250	22	5	8	M16
SK 6.07	450	192,5	234,5	400	350	250	22	5	8	M16
SK 7.07	550	197	237	500	450	308	28	5	8	M16
SK 8.07	550	197	237	500	450	308	28	5	8	M16
SK 9.07	660	253	297,5	600	550	434	35	8	8	M24
SK 10.07	660	253	297,5	600	550	434	35	8	8	M24
SK 11.07	730	280	300	680	580	420	40	5	12	M24
SK 12.07	840	315	304	760	650	470	50	5	12	M30
SK 13.07	960	353	375	880	750	530	50	5	16	M30
SK 14.07	960	383	405	880	750	530	50	5	16	M30
SK 15.07	1100	395	435	980	900	600	60	10	16	M36



## FK - High Output Flange



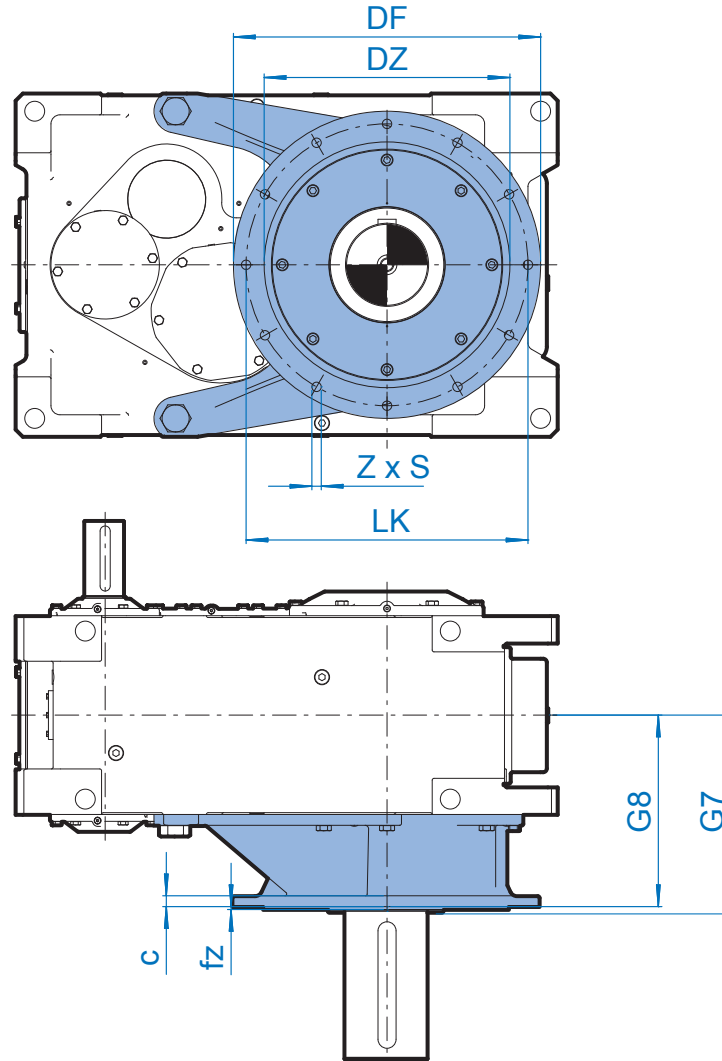
Dimensions

	ø DF	G1	G6	ø LK	ø DZ	ø DI	c	fz	z	ø S
SK 5.07	450	192,5	234,5	400	350	250	22	5	8	17,5
SK 6.07	450	192,5	234,5	400	350	259	22	5	8	17,5
SK 7.07	550	197	237	500	450	308	28	5	8	17,5
SK 8.07	550	197	237	500	450	308	28	5	8	17,5
SK 9.07	660	253	297,5	600	550	434	35	8	8	26
SK 10.07	660	253	297,5	600	550	434	35	8	8	26
SK 11.07	730	280	420	680	560	420	40	5	12	26
SK 12.07	840	315	470	760	650	470	50	5	12	33
SK 13.07	960	353	525	880	750	530	50	5	16	33
SK 14.07	---	---	---	---	---	---	---	---	---	---
SK 15.07	---	---	---	---	---	---	---	---	---	---

# FVL2/FVL3/FVL4 - Agitator & Drywell Flange

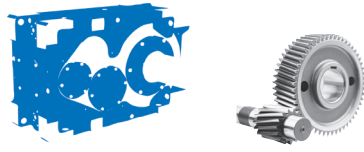


## FVL2/FVL3/FVL4 - Agitator & Drywell Flange

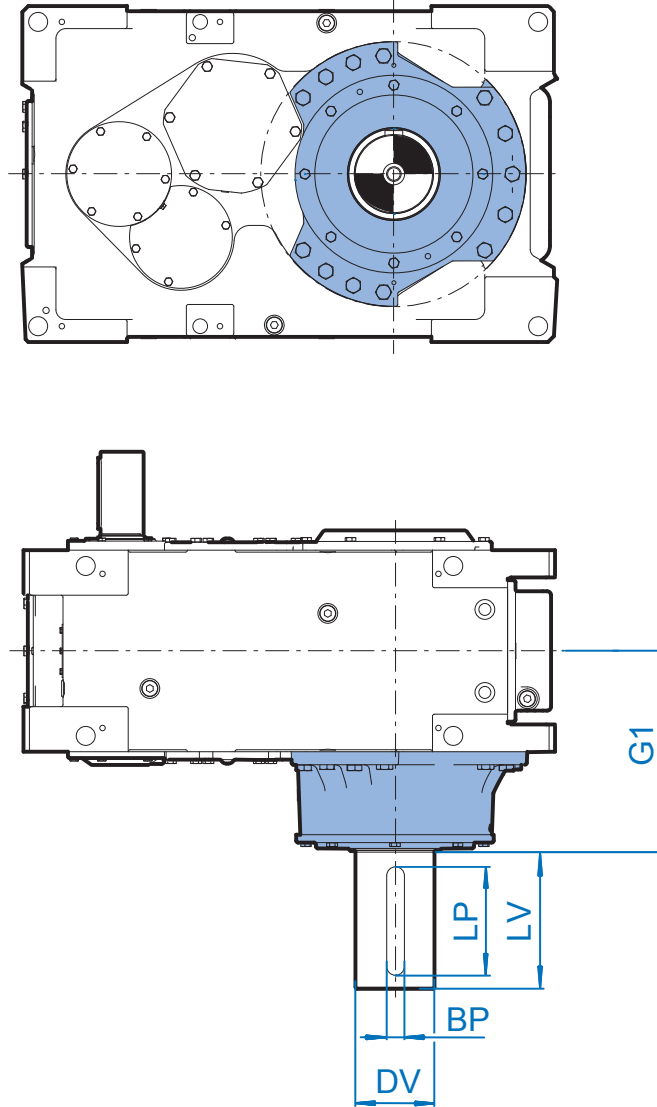


Dimensions

	G7	G8	ø DF	ø DZ	ø LK	fz	c	z	s
SK 5.07	401,5	396,5	550	450	500	5	29,5	8	17,5
SK 6.07	401,5	396,5	550	450	500	5	29,5	8	17,5
SK 7.07	485	477	660	550	600	6	28,5	8	22
SK 8.07	485	477	660	550	600	6	28,5	8	22
SK 9.07	517,5	509,5	660	550	600	8	35	8	26
SK 10.07	517,5	509,5	660	550	600	8	35	8	26
SK 11.07	450	440	675	540	620	5	40	10	22
	465	455	760	600	700	5	50	12	22
SK 12.07	485	470	760	600	700	5	50	12	22
SK 13.07	543	530	850	680	780	5	50	12	26
SK 14.07	575	560	850	680	780	5	50	12	26
SK 15.07	645	630	1000	800	930	8	60	16	33

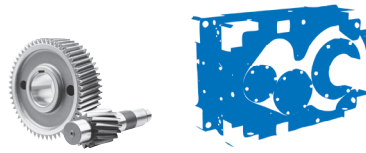


## VL6 - Agitator Without Flange

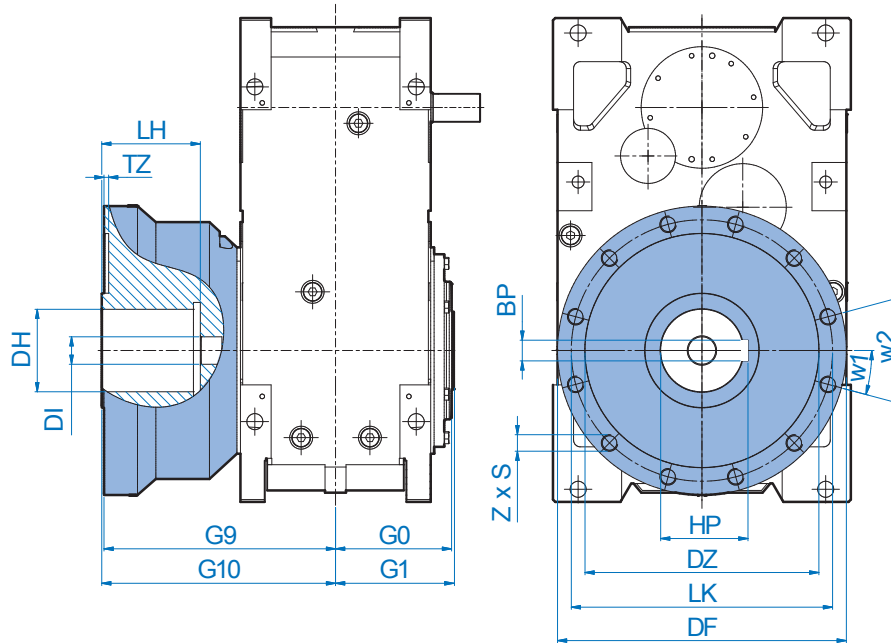


	<b>G1</b>	<b>LV</b>	<b>ø DV</b>	<b>LP</b>	<b>BP</b>
<b>SK 5.07</b>	401,5	210	120	180	32
<b>SK 6.07</b>	401,5	210	120	180	32
<b>SK 7.07</b>	485	250	140	200	36
<b>SK 8.07</b>	485	250	140	200	36
<b>SK 9.07</b>	517,5	300	160	260	40
<b>SK 10.07</b>	517,5	300	160	260	40
<b>SK 11.07</b>	450	300	170	260	40
<b>SK 12.07</b>	505	350	200	300	45
<b>SK 13.07</b>	542	410	230	350	50
<b>SK 14.07</b>	572	410	250	360	56
<b>SK 15.07</b>	645	410	250	360	56

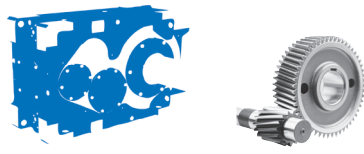
# VL5 - Extruder Flange



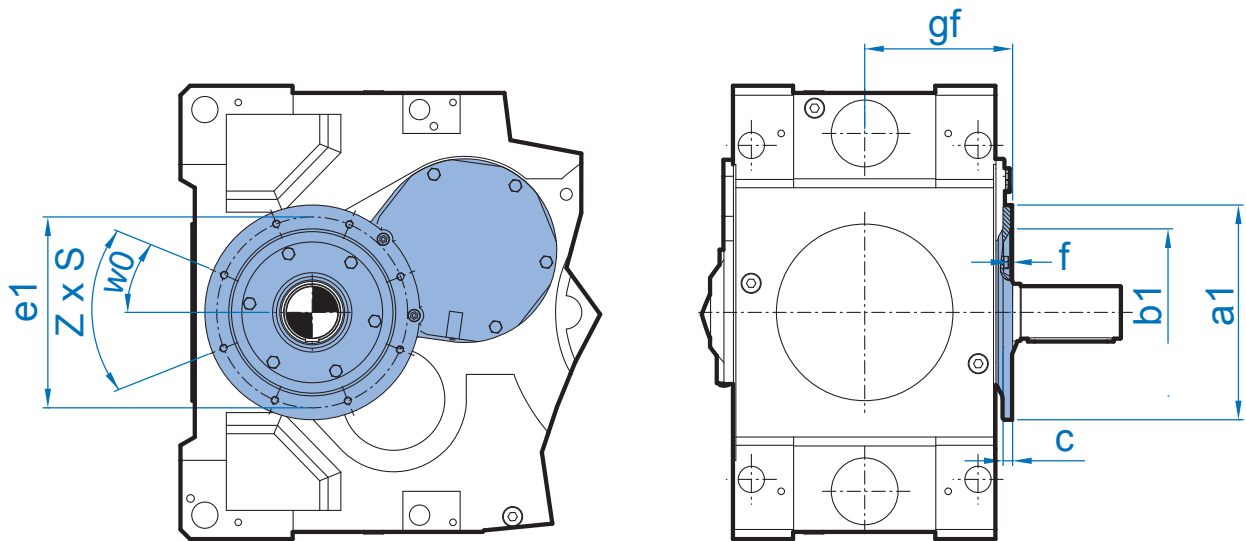
## VL5 - Extruder Flange



	Bearing type APRL	BP	DF	DH	DI	DZ	G0	G1	G9	G10	HP	LH	LK	Z	S	TZ	w1	w2
<b>SK 5.07</b>	29 432	28	470	100	60	390	207,5	212,5	408,5	413,5	106,4	170	430	8	M30x50	10	22,5	45
<b>SK 6.07</b>	29 436	32	470	120	60	390	207,5	212,5	408,5	413,5	127,4	170	430	8	M30x50	10	22,5	45
<b>SK 7.07</b> <b>SK 8.07</b>	29 436	32	560	120	60	460	210	215	450	455	127,4	215	510	12	M36x58	10	15	30
	29 440	32	560	130	60	460	210	215	450	455	137,4	215	510	12	M36x58	10	15	30
	29 444	36	560	150	60	460	210	215	450	455	158,4	215	510	12	M36x58	10	15	30
<b>SK 9.07</b> <b>SK10..07</b>	29 440	32	560	130	60	460	253	258	482,5	487,5	137,4	215	510	12	M36x58	10	15	30
	29 444	36	560	150	60	460	253	258	482,5	487,5	158,4	215	570	12	M36x58	10	15	30
	29 452	45	630	180	60	510	253	258	505	510	190,4	215	570	12	M36x58	10	15	30
<b>SK 11..y07</b>	29 452	45	630	180	60	510	268	273	510	515	190,4	215	570	12	M36x58	10	15	30
	29 456	45	680	200	60	550	268	273	528	533	210,4	300	615	12	M36x58	10	15	30

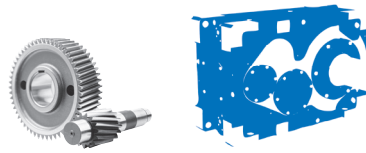


## F1 - Input Flange

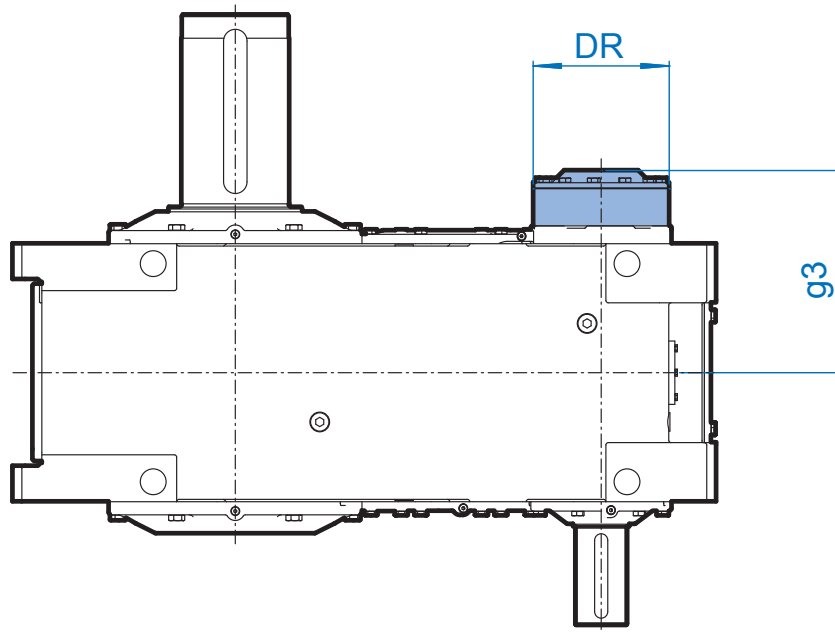


	gf	ø a1	ø b1	ø e1	c	f	w0°	z x s
SK 5..07	200,5	300	230	265	20	6	22,5	8 x M12
SK 6..07	200,5	300	230	265	20	6	22,5	8 x M12
SK 7..07	203,5	350	250	300	20	6	22,5	8 x M16
SK 8..07	203,5	350	250	300	20	6	22,5	8 x M16
SK 9..07	236	350	250	300	20	6	22,5	8 x M16
SK 10..07	236	350	250	300	20	6	22,5	8 x M16
SK 11..07	255	450	350	400	20	6,5	22,5 / 27,5	8 x M16
SK 12..07	290	550	450	500	25	6,5	21,5	8 x M16
SK 13..07	315	550	450	500	25	6,5	23	8 x M16
SK 14..07	345	550	450	500	25	6,5	23	8 x M16
SK 15..07	370	550	450	500	25	6,5	24	8 x M16

# R - Backstop



## R - Backstop

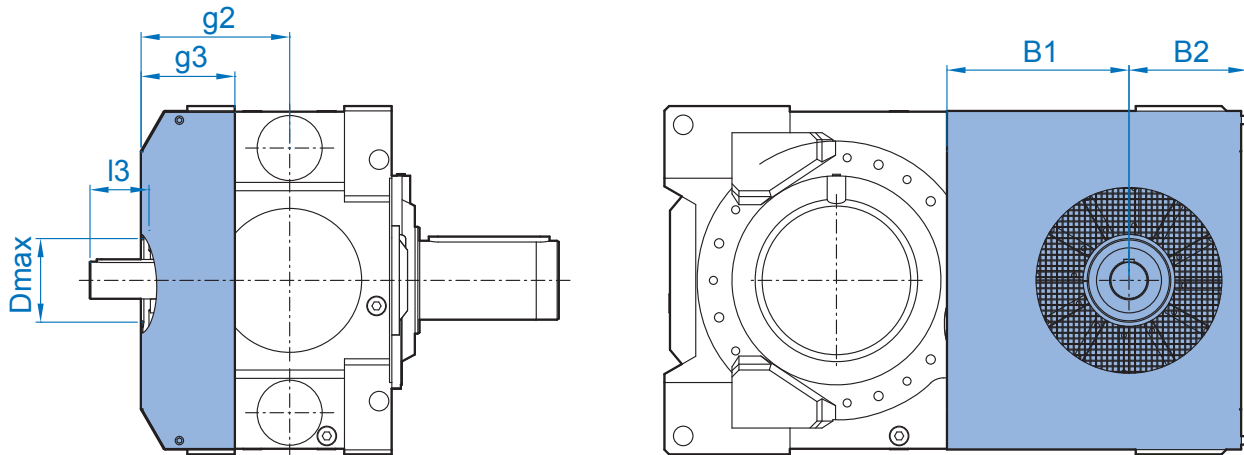


	$i_N$ - Ratio	$\varnothing$ DR	g3
SK 5207	18 - 100	175	283
SK 5307	102 - 400	140	265,5
SK 6207	20 - 112	175	283
SK 6307	125 - 450	140	265,5
SK 7207	7,1 - 25	190	295
SK 7307	28,0 - 355	175	288
SK 8207	8,0 - 28	190	295
SK 8307	31,5 - 400	175	288
SK 9207	7,1 - 25	210	329,5
SK 9307	28,0 - 355	190	326,5
SK 10207	8,0 - 28	210	329,5
SK 10307	28,0 - 280	190	326,5
SK 11207	5,6 - 20	245	360
SK 11307	31,5 - 112	190	340
	22,4 - 28	210	350
SK 12207	5,6 - 20	290	415
SK 12307	22,4 - 112	210	385
SK 13207	5,6 - 20	290	431
SK 13307	22,4 - 112	210	410
SK 14207	7,1 - 25	310	470
SK 14307	28,0 - 140	210	445
SK 15207	5,6 - 20	400	510
SK 15307	22,4 - 112	290	485





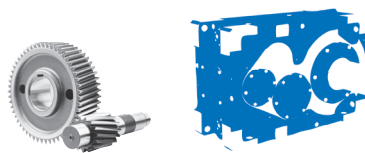
## FAN - Fan



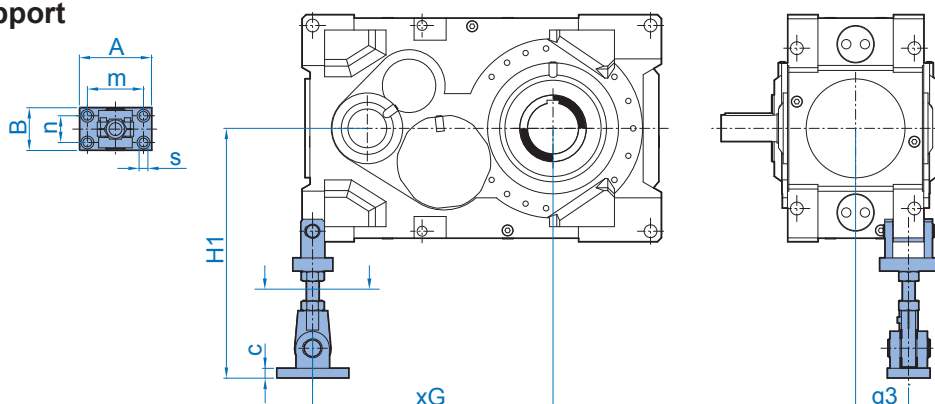
	$i_N$ - Ratio	B1	B2	g2	g3	l3	ø Dmax
SK 5207	7,1 - 25	175	145	145	80	78	110 (180)
SK 5307	28,0 - 355	175	145	145	80	78	110 (180)
SK 6207	8,0 - 28	175	145	145	80	78	110 (180)
SK 6307	31,5 - 400	175	145	145	80	78	110 (180)
SK 7207	7,1 - 25	150	147	225	120	74	130
SK 7307	28,0 - 355	150	147	225	120	74	130
SK 8207	8,0 - 28	150	147	257,5	120	74	130
SK 8307	31,5 - 400	150	147	257,5	120	74	130
SK 9207	7,1 - 25	195	195	283	132	83	130
SK 9307	28,0 - 355	195	195	283	132	83	130
SK 10207	8,0 - 28	195	195	338	132	83	130
SK 10307	28,0 - 280	195	195	338	132	83	130
SK 11207	5,6 - 20	390	252	307	189	133	160
SK 11307	22,4 - 112	390	252	307	189	103	160
SK 12207	5,6 - 20	430	287	358	217	158	180
SK 12307	22,4 - 112	430	287	358	217	118	180
SK 13207	5,6 - 20	490	317	392	243	158	200
SK 13307	22,4 - 112	490	317	392	243	118	200
SK 14207	7,1 - 25	320	310	433	150	158	200
SK 14307	28,0 - 140	320	310	433	150	118	200
SK 15207	5,6 - 20	580	362	450	275	178	240
SK 15307	22,4 - 45	580	362	450	275	173	240
	50,0 - 112	580	362	450	275	103	240

Dimensions

# D - Torque Support ED - Elastic Torque Support

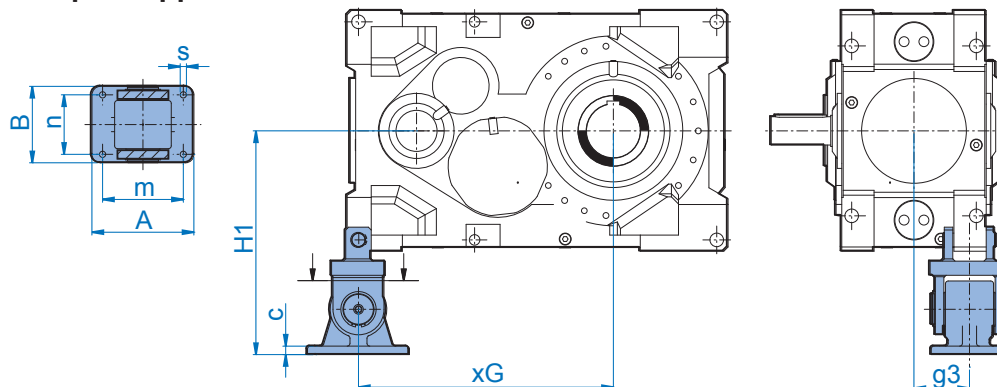


## D - Torque Support



	H1max	H1min	xG	g3	c	A	B	m	n	s
SK 5.07	615	595	475	149	19	200	160	120	160	17,5
SK 6.07	615	595	500	149	19	200	160	120	160	17,5
SK 7.07	645	625	550	150,5	19	200	160	120	160	17,5
SK 8.07	685	665	575	150,5	19	200	160	120	160	17,5
SK 9.07	715	675	692,5	174	19	200	160	120	160	17,5
SK 10.07	765	725	722,5	174	19	200	160	120	160	17,5
SK 11.07	865	825	800	165	29	240	220	180	160	22
SK 12.07	935	895	900	195	29	290	250	220	180	26
SK 13.07	990	950	1005	210	29	290	250	220	180	26
SK 14.07	1080	1050	1060	240	39	330	300	250	220	33
SK 15.07	1120	1080	1200	247,5	39	330	300	250	220	33

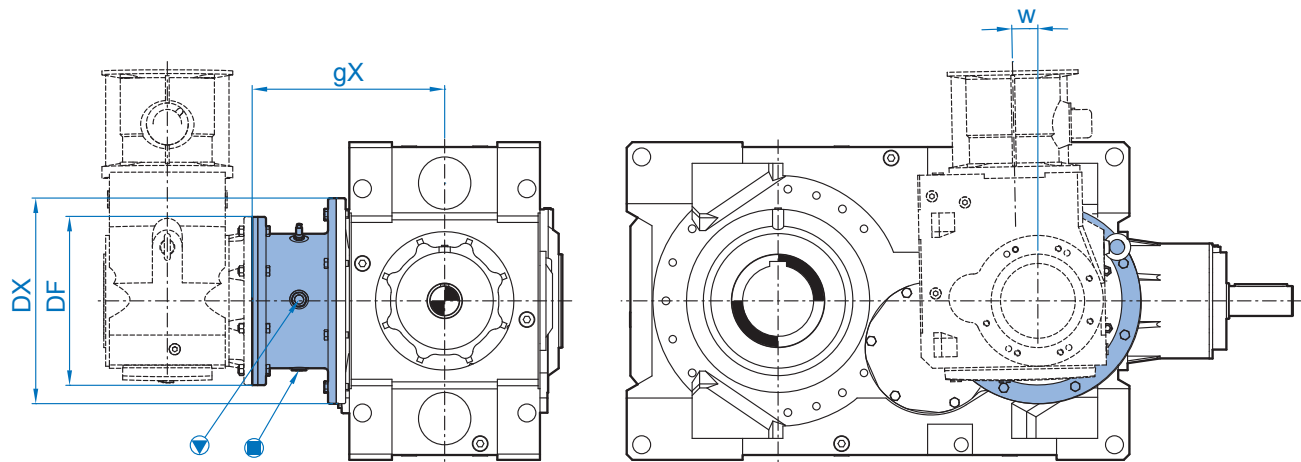
## ED - Elastic Torque Support



	H1	xG	g3	c	A	B	m	n	s
SK 5..07	460	475	149	21	200	160	160	120	17
SK 6..07	460	500	149	21	200	160	160	120	17
SK 7..07	490	550	150,5	21	200	160	160	120	17
SK 8..07	530	575	150,5	21	200	160	160	120	17
SK 9..07	655	692,5	174	25	260	200	190	140	22
SK 10..07	705	722,5	174	25	260	200	190	140	22
SK 11..07	740	800	167,5	30	360	270	285	210	22
SK 12..07	790	900	196	30	360	270	285	210	22
SK 13..07	890	1005	210	40	400	320	310	230	33
SK 14..07	940	1060	240	40	400	320	310	230	33
SK 15..07	980	1200	245,5	40	400	320	310	230	33



## WX - Auxillary Drive

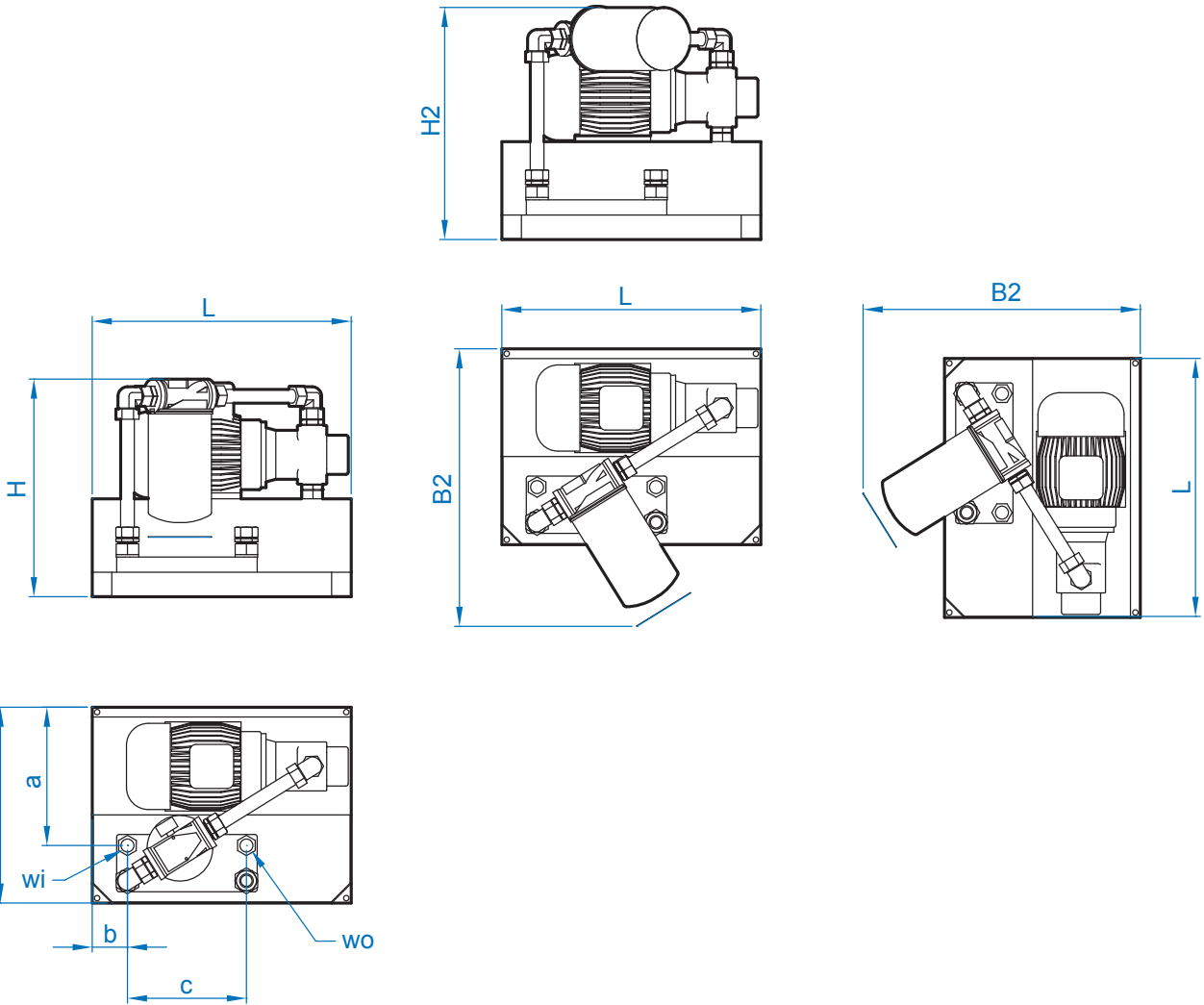


		$\varnothing$ DX	$\varnothing$ DF	gX	w
SK 5..07	SK 9022.1 VF	300	250	345,5	0°
	SK 9032.1 VF	300	250	345,5	0°
SK 6..07	SK 9022.1 VF	300	250	345,5	0°
	SK 9032.1 VF	300	250	345,5	0°
SK 7..07	SK 9022.1 VF	350	250	371,5	0°
	SK 9042.1 VF	350	350	371,5	0°
SK 8..07	SK 9022.1 VF	350	250	371,5	0°
	SK 9042.1 VF	350	350	371,5	0°
SK 9..07	SK 9032.1 VF	350	250	404	0°
	SK 9042.1 VF	350	350	404	0°
SK 10..07	SK 9032.1 VF	350	250	404	0°
	SK 9042.1 VF	350	350	404	0°
SK 11..07	SK 9052.1 VF	450	450	465	0°
	SK 9072.1 VF	450	450	445	0°
SK 12..07	SK 9072.1 VF	550	450	545	0°
	SK 9082.1 VF	550	450	515	0°
SK 13..07	SK 9072.1 VF	550	450	565	0°
	SK 9082.1 VF	550	450	535	0°
SK 14..07	SK 9072.1 VF	550	450	595	0°
	SK 9082.1 VF	550	450	565	0°
SK 15..07	SK 9082.1 VF	550	550	655	0°
	SK 9092.1 VF	550	660	620	0°

# CS1 - Water Cooler



## CS1 - Water Cooler

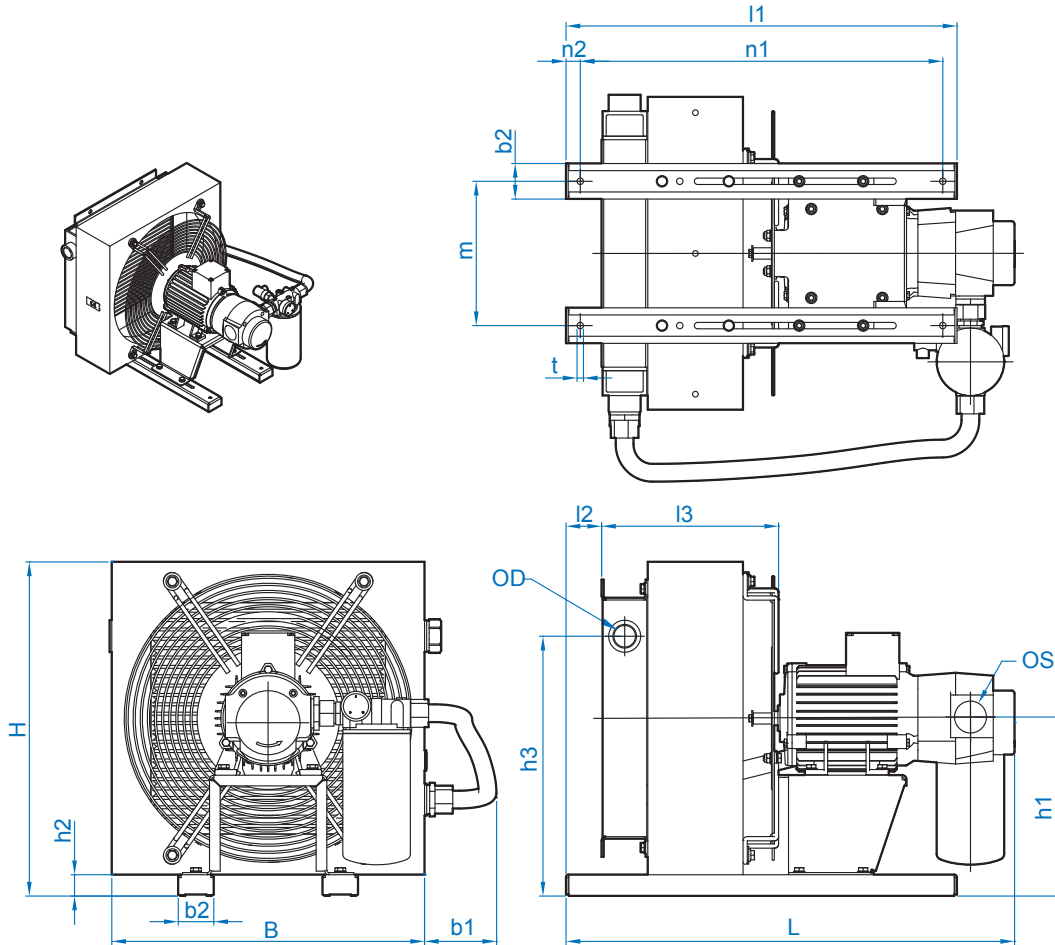


Dimensions

	L	B	B2	H	H2	a	b	c	wi	wo
<b>A</b>	480	420	500	400	430	250	80	278	G 1/2"	G 1/2"
<b>B</b>	520	394	530	431	450	287	175,5	234	G 3/4"	G 3/4"
<b>C</b>	520	394	530	431	450	287	175,5	234	G 3/4"	G 3/4"
<b>D</b>	530	450	570	450	480	282	70	243	G 3/4"	G 3/4"
<b>E</b>	530	450	570	450	480	282	70	243	G 3/4"	G 3/4"
<b>F</b>	530	450	570	450	480	282	70	243	G 3/4"	G 3/4"
<b>G</b>	600	550	650	500	530	340	50	320	G 1"	G 1"
<b>H</b>	600	550	650	500	530	340	50	320	G 1"	G 1"

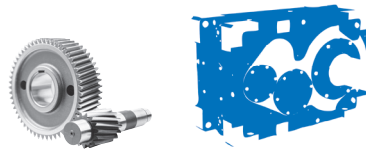


## CS2 - Air Cooler

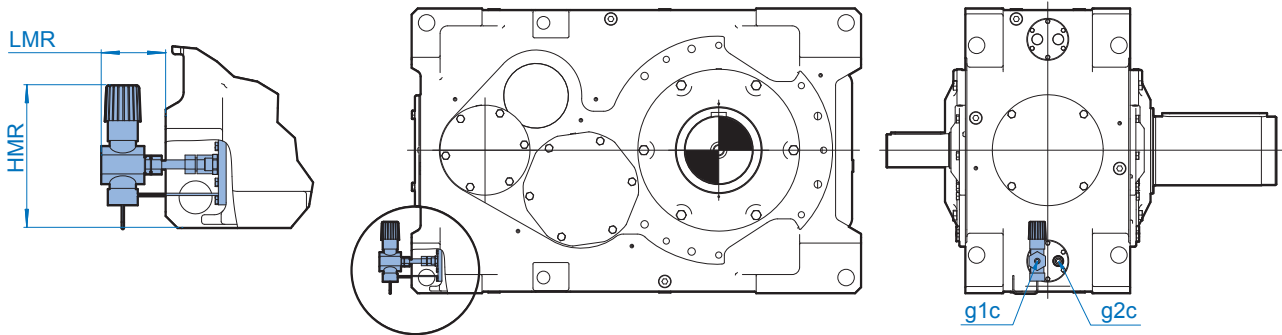


	L	l1	l2	l3	B	b1	b2	H	h1	h2	h3	n1	n2	m	t	os	od
<b>A</b>	755	560	43	173	330	137	30	355	185	15	330	525	15	160	Ø 9	G 3/4"	G 3/4"
<b>B</b>	793	560	43	190	380	137	30	500	235	15	429	525	15	290	Ø 9	G 3/4"	G 3/4"
<b>C</b>	793	560	43	190	380	137	30	500	235	15	429	525	15	290	Ø 9	G 3/4"	G 3/4"
<b>D</b>	932	680	37	229	485	134	30	567	270	20	490	640	20	425	Ø 8	G 1 1/2"	G 1"
<b>E</b>	932	680	37	229	485	134	30	567	270	20	490	640	20	425	Ø 8	G 1 1/2"	G 1"
<b>F</b>	932	680	37	229	485	134	30	567	270	20	490	640	20	425	Ø 8	G 1 1/2"	G 1"
<b>G</b>	1028	680	40	289	584	134	30	687	330	20	579	515	20	482	Ø 9	G 1 1/2"	G 1 1/4"
<b>H</b>	1142	870	42	289	706	119	50	806	408	55	707	830	20	560	Ø 12	G 1 1/2"	G 1 1/4"

# CC - Internal Water Cooler OH - Oil Heater

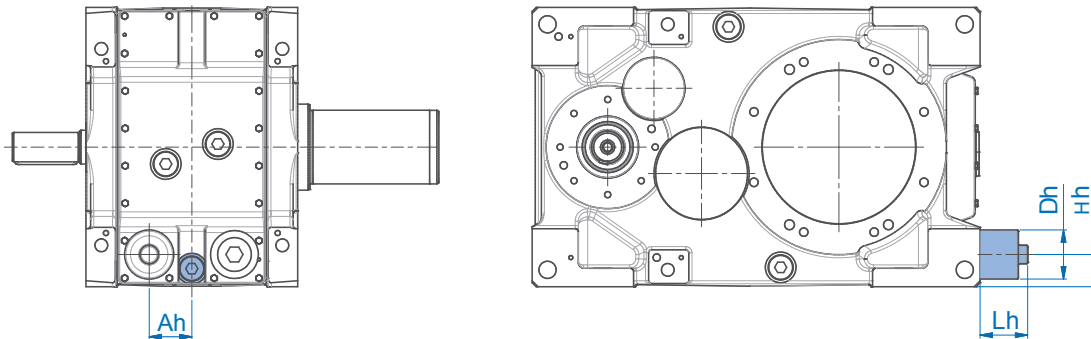


## CC - Internal Water Cooler (Cooling Coil)



	g1c	g2c	HMR	LMR
SK 5.07	G 3/8"	G 3/8"	238	108
SK 6.07	G 3/8"	G 3/8"	238	108
SK 7.07	G 3/8"	G 3/8"	238	108
SK 8.07	G 3/8"	G 3/8"	238	108
SK 9.07	G 3/8"	G 3/8"	238	108
SK 10.07	G 3/8"	G 3/8"	238	108
SK 11.07	G 1/2"	G 1/2"	238	108
SK 12.07	G 1/2"	G 1/2"	238	108
SK 13.07	G 1/2"	G 1/2"	238	108
SK 14.07	G 1/2"	G 1/2"	238	108
SK 15.07	G 1/2"	G 1/2"	238	108

## OH - Oil Heater



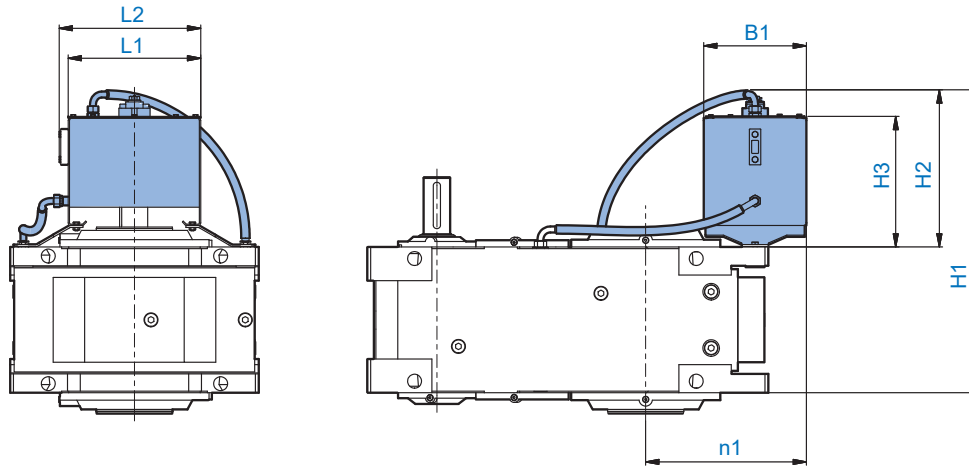
Dimensions

	Ah	ø Dh	Hh	Lh	340 W	380 W	470 W	590 W	760 W	870 W	1030 W	1410 W
SK 5.07	69,5	80	52,5	77,5	M1/M3 *							
SK 6.07	69,5	80	52,5	77,5	M1/M3 *							
SK 7.07	67,5	80	62,5	60		M1/M3 *						
SK 8.07	74	80	62,5	61,5		M1/M3 *						
SK 9.07	85	80	69,5	58			M1/M3 *					
SK 10.07	87,5	80	70	63,5			M1/M3 *					
SK 11.07	70	80	90	57				M1			M3	
SK 12.07	95	80	110	49				M1			M3	
SK 13.07	100	80	100	49					M1			M3
SK 14.07	100	80	95	39					M1			M3
SK 15.07	125	80	110	20						M1		M3

\* For larger heating capacities, please contact NORD DRIVESYSTEMS. Other mounting configurations can often be used depending on the oil level with an oil heater. Please contact NORD DRIVESYSTEMS.



## OT- Oil Tank



M5 / M6 Mounting	L1	L2	H1	H2	H3	n1	B1
SK 5.07	275	302	771,5	426,5	397,5	440	200
SK 6.07	275	302	771,5	426,5	397,5	440	200
SK 7.07	400	427	824,5	474,5	394,5	425	310
SK 8.07	400	427	858	508	428	455	310
SK 9.07	400	427	923	508	428	457,5	310
SK 10.07	400	427	879	464	384	490	310
SK 11.07	400	427	914	474	394	485	310
SK 12.07	400	427	979,5	469,5	389,5	520	310
SK 13.07	400	427	1069	519	439	580	310
SK 14.07	400	427	1133	523	443	610	310
SK 15.07	400	427	1156	506	426	645	310

# Notes



A large grid area for taking notes, consisting of a series of horizontal and vertical lines forming a grid pattern.

Dimensions





DRIVESYSTEMS

# Right-Angle Ratings

---

<b>Ratings Tables Overview</b> .....	<b>176</b>
<b>Nominal Power Ratings</b> .....	<b>178</b>
<b>Nominal Output Torques</b> .....	<b>182</b>
<b>Moment of Inertia Values</b> .....	<b>183</b>
<b>Exact Ratios</b> .....	<b>184</b>
<b>Thermal Ratings - M1/M3 Mounting - 1000 rpm @ 20° C</b> .....	<b>186</b>
<b>Thermal Ratings - M1/M3 Mounting - 1000 rpm @ 40° C</b> .....	<b>188</b>
<b>Thermal Ratings - M1/M3 Mounting - 1200 rpm @ 20° C</b> .....	<b>190</b>
<b>Thermal Ratings - M1/M3 Mounting - 1200 rpm @ 40° C</b> .....	<b>192</b>
<b>Thermal Ratings - M1/M3 Mounting - 1500 rpm @ 20° C</b> .....	<b>194</b>
<b>Thermal Ratings - M1/M3 Mounting - 1500 rpm @ 40° C</b> .....	<b>196</b>
<b>Thermal Ratings - M1/M3 Mounting - 1800 rpm @ 20° C</b> .....	<b>198</b>
<b>Thermal Ratings - M1/M3 Mounting - 1800 rpm @ 40° C</b> .....	<b>200</b>
<b>Thermal Ratings - M5 Mounting - 1000 rpm @ 20° C</b> .....	<b>202</b>
<b>Thermal Ratings - M5 Mounting - 1000 rpm @ 40° C</b> .....	<b>204</b>
<b>Thermal Ratings - M5 Mounting - 1200 rpm @ 20° C</b> .....	<b>206</b>
<b>Thermal Ratings - M5 Mounting - 1200 rpm @ 40° C</b> .....	<b>208</b>
<b>Thermal Ratings - M5 Mounting - 1500 rpm @ 20° C</b> .....	<b>210</b>
<b>Thermal Ratings - M5 Mounting - 1500 rpm @ 40° C</b> .....	<b>212</b>
<b>Thermal Ratings - M5 Mounting - 1800 rpm @ 20° C</b> .....	<b>214</b>
<b>Thermal Ratings - M5 Mounting - 1800 rpm @ 40° C</b> .....	<b>216</b>

# Overview Ratings Tables



## Structure of the Power Ratings Tables

**Nominal Input Speed**  
The actual motor speeds depend on the size of the motor, and may differ

**Nominal Output Speed**  
The Nominal Input Speed divided by the Nominal Ratio

**Size of Gear Unit**

Nom. Ratio	Nominal Input Speed	Nominal Output Speed	Rated Power										
	$n_{1N}$ [rpm]	$n_{2N}$ [rpm]	$P_N$ [HP]	$P_N$ [HP]	$P_N$ [HP]	$P_N$ [HP]	$P_N$ [HP]	$P_N$ [HP]	$P_N$ [HP]	$P_N$ [HP]	$P_N$ [HP]	$P_N$ [HP]	$P_N$ [HP]
20	1000	50	107	137	176	193	278	288	499	732	999	1,246	1,434
	1500	75	161	206	265	290	416	433	748	1,098	1,498	1,868	2,151
	1200	60	128	164	212	232	333	346	599	878	1,198	1,495	1,721
	1800	90	193	247	318	348	500	519	898	1,317	1,797	2,242	2,581

**Nominal Ratio**  
Sized according to Standard Series

**Nominal Output Power**  
with Service Factor ( $f_s$ ) = 1,0

## Structure of the Torque Rating Tables

**Size of Gear Unit**

Nom. Ratio	Output Torque											
	$M_{2max}$ [lb-in × 1000]	$M_{2max}$ [lb-in × 1000]	$M_{2max}$ [lb-in × 1000]	$M_{2max}$ [lb-in × 1000]	$M_{2max}$ [lb-in × 1000]	$M_{2max}$ [lb-in × 1000]	$M_{2max}$ [lb-in × 1000]	$M_{2max}$ [lb-in × 1000]	$M_{2max}$ [lb-in × 1000]	$M_{2max}$ [lb-in × 1000]	$M_{2max}$ [lb-in × 1000]	$M_{2max}$ [lb-in × 1000]
80	133	177	234	273	376	455	665	947	1,271	1,682	2,036	
90	133	177	235	274	378	458	666	947	1,273	1,682	2,168	

**Nominal Ratio**  
Sized according to Standard Series

**SK .407 Units**  
Units shaded this color are Three Stage Units

**Nominal Output Torque**  
with Service Factor ( $f_s$ ) = 1,0

**SK .507 Units**  
Units shaded this color are Four Stage Units

## Structure of the Inertia Tables

**Size of Gear Unit**

Nom. Ratio	Moments of Inertia											
	$j_1$ [lb-ft <sup>2</sup> ]	$j_1$ [lb-ft <sup>2</sup> ]	$j_1$ [lb-ft <sup>2</sup> ]	$j_1$ [lb-ft <sup>2</sup> ]	$j_1$ [lb-ft <sup>2</sup> ]	$j_1$ [lb-ft <sup>2</sup> ]	$j_1$ [lb-ft <sup>2</sup> ]	$j_1$ [lb-ft <sup>2</sup> ]	$j_1$ [lb-ft <sup>2</sup> ]	$j_1$ [lb-ft <sup>2</sup> ]	$j_1$ [lb-ft <sup>2</sup> ]	$j_1$ [lb-ft <sup>2</sup> ]
80	0.111	0.114	0.218	0.224	0.444	0.456	0.842	1.550	2.919	4.082	5.482	
90	0.103	0.113	0.203	0.222	0.401	0.451	0.771	1.414	2.705	4.034	4.960	

**Nominal Ratio**  
Sized according to Standard Series

**SK .407 Units**  
Units shaded this color are Three Stage Units

**Moment of Inertia**  
Relative to the Input Shaft

**SK .507 Units**  
Units shaded this color are Four Stage Units

Right-Angle  
Ratings



## Structure of the Exact Ratio Tables

Size of Gear Unit

Nom. Ratio	SK 5407/ SK 5507	SK 6407/ SK 6507	SK 7407/ SK 7507	SK 8407/ SK 8507	SK 9407/ SK 9507	SK 10407/ SK 10507	SK 11407/ SK 11507	SK 12407/ SK 12507	SK 13407/ SK 13507	SK 14407/ SK 14507	SK 15407/ SK 15507
$i_N$	Exact Ratio										
	$i_{ges}$	$i_{ges}$	$i_{ges}$	$i_{ges}$	$i_{ges}$	$i_{ges}$	$i_{ges}$	$i_{ges}$	$i_{ges}$	$i_{ges}$	$i_{ges}$
90	93,19	88,57	94,30	88,85	95,36	91,55	92,50	91,72	91,91	86,67	90,56
100	101,82	103,42	103,66	107,43	104,85	107,43	101,26	100,05	100,26	94,67	98,78

Nominal Ratio  
Sized according to Standard Series

SK .407 Units  
Units shaded this color are Three Stage Units

Exact Ratio

SK .507 Units  
Units shaded this color are Four Stage Units

## Structure of the Thermal Rating Tables

1) 2) (see explanation below)

Size of Gear Unit

Nom. Übersetzung	Kühlart	SK 5207/ SK 5307	SK 6207/ SK 6307	SK 7207/ SK 7307	SK 8207/ SK 8307	SK 9207/ SK 9307	SK 10207/ SK 10307	SK 11207/ SK 11307	SK 12207/ SK 12307	SK 13207/ SK 13307	SK 14207/ SK 14307	SK 15207/ SK 15307	
$i_N$		Thermal Power											
		$P_N$ [HP]	$P_N$ [HP]	$P_N$ [HP]	$P_N$ [HP]	$P_N$ [HP]	$P_N$ [HP]	$P_N$ [HP]	$P_N$ [HP]	$P_N$ [HP]	$P_N$ [HP]	$P_N$ [HP]	
20	---	$P_{t,20}$	123	144	148	159	212	252	256	276	410	464	489
	FAN	$P_{tF,20}$	76	88	100	104	147	171	193	251	338	377	485
	CC	$P_{tC,20}$	112	120	122	115	132	138	359	520	747	732	841

Nominal Ratio  
Sized according to Standard Series

Cooling Type  
 --- : No Additional Cooling  
 FAN : Built in Fan Cooling  
 CC : Integrated Water Cooling

Thermal Power Limit <sup>1) 2)</sup>  
Without any additional thermal cooling at Ambient Temp.

Additional Thermal Power Limit <sup>1) 2)</sup>  
With Built in Fan at Ambient Temperature with nominal speed

Additional Thermal Power Limit  
With Integrated Water Cooling at Ambient Temperature

1) Standard ambient conditions

Ambient temperature:	68°F (20°C) or 104°F (40°C)
Air circulation at installation location:	large hall with good air circulation ( $v_L = 4,92$ ft/s or 1,5 m/s)
Installation:	Foundation steel sub-construction
Installation altitude:	≤ 1000 m (3280 ft) above sea level
Installation position:	Horizontal installation (M1 for 3-stage or M3 for 4 stage)
Type of lubrication:	Immersion lubrication, Oil splash lubrication with synthetic oil PAO ISO VG 220
Cooling water inlet temperature:	68°F (20°C) or 104°F (40°C)

2) For ratings at different temperatures please contact NORD DRIVESYSTEMS.

Right-Angle Ratings



# Nominal Power Ratings

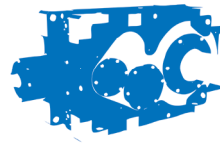
Nom. Ratio	Nominal Input Speed $n_{1N}$ [rpm]	Nominal Output Speed $n_{2N}$ [rpm]	SK 5407/ SK 5507	SK 6407/ SK 6507	SK 7407/ SK 7507	SK 8407/ SK 8507	SK 9407/ SK 9507	SK 10407/ SK 10507	SK 11407/ SK 11507	SK 12407/ SK 12507	SK 13407/ SK 13507	SK 14407/ SK 14507	SK 15407/ SK 15507
			Rated Power										
$i_N$			$P_N$ [HP]	$P_N$ [HP]	$P_N$ [HP]	$P_N$ [HP]	$P_N$ [HP]	$P_N$ [HP]	$P_N$ [HP]	$P_N$ [HP]	$P_N$ [HP]	$P_N$ [HP]	$P_N$ [HP]
12.5	1000	80	---	---	---	---	---	---	686	954	1,131	---	1,603
	1500	120	---	---	---	---	---	---	1,029	1,431	1,696	---	2,405
	1200	96	---	---	---	---	---	---	823	1,145	1,357	---	1,924
	1800	144	---	---	---	---	---	---	1,235	1,717	2,035	---	2,886
14	1000	71	---	---	---	---	---	---	684	950	1,135	1,242	1,602
	1500	107	---	---	---	---	---	---	1,027	1,425	1,703	1,863	2,404
	1200	86	---	---	---	---	---	---	821	1,140	1,362	1,491	1,923
	1800	129	---	---	---	---	---	---	1,232	1,710	2,044	2,236	2,884
16	1000	63	---	---	---	---	---	---	602	860	1,132	1,254	1,579
	1500	94	---	---	---	---	---	---	902	1,290	1,698	1,880	2,368
	1200	75	---	---	---	---	---	---	722	1,032	1,359	1,504	1,895
	1800	113	---	---	---	---	---	---	1,083	1,548	2,038	2,256	2,842
18	1000	56	117	---	192	---	287	---	565	820	1,126	1,225	1,559
	1500	83	176	---	289	---	430	---	848	1,230	1,690	1,838	2,339
	1200	67	140	---	231	---	344	---	678	984	1,352	1,470	1,871
	1800	100	211	---	346	---	516	---	1,017	1,476	2,027	2,206	2,807
20	1000	50	107	137	176	193	278	288	499	732	999	1,246	1,434
	1500	75	161	206	265	290	416	433	748	1,098	1,498	1,868	2,151
	1200	60	128	164	212	232	333	346	599	878	1,198	1,495	1,721
	1800	90	193	247	318	348	500	519	898	1,317	1,797	2,242	2,581
22.4	1000	45	96	128	157	190	251	287	459	677	931	1,192	1,373
	1500	67	145	191	235	285	377	431	688	1,016	1,397	1,788	2,059
	1200	54	116	153	188	228	302	345	551	813	1,118	1,430	1,647
	1800	80	174	230	283	342	452	517	826	1,219	1,677	2,145	2,471
25	1000	40	88	116	142	161	230	262	396	582	788	1,135	1,201
	1500	60	132	174	212	241	345	393	595	873	1,182	1,702	1,801
	1200	48	106	139	170	193	276	315	476	698	946	1,361	1,441
	1800	72	159	208	255	289	414	472	714	1,048	1,419	2,042	2,162
28	1000	36	72	105	121	154	197	240	363	534	724	977	1,108
	1500	54	108	158	182	231	295	360	544	800	1,086	1,466	1,663
	1200	43	86	126	145	185	236	288	435	640	869	1,173	1,330
	1800	64	129	189	218	277	354	432	653	960	1,303	1,759	1,995
31.5	1000	32	66	86	111	127	180	206	329	480	630	906	1,000
	1500	48	99	129	167	191	270	308	493	720	945	1,359	1,500
	1200	38	79	104	133	153	216	247	395	576	756	1,087	1,200
	1800	57	118	156	200	229	325	370	591	864	1,133	1,631	1,800



Nom. Ratio	Nominal Input Speed	Nominal Output Speed	SK 5407/ SK 5507	SK 6407/ SK 6507	SK 7407/ SK 7507	SK 8407/ SK 8507	SK 9407/ SK 9507	SK 10407/ SK 10507	SK 11407/ SK 11507	SK 12407/ SK 12507	SK 13407/ SK 13507	SK 14407/ SK 14507	SK 15407/ SK 15507
			Rated Power										
$i_N$	$n_{1N}$	$n_{2N}$	$P_N$	$P_N$	$P_N$	$P_N$	$P_N$	$P_N$	$P_N$	$P_N$	$P_N$	$P_N$	$P_N$
	[rpm]	[rpm]	[HP]	[HP]	[HP]	[HP]	[HP]	[HP]	[HP]	[HP]	[HP]	[HP]	[HP]
35.5	1000	28	59	78	98	120	158	190	301	440	592	757	917
	1500	42	89	118	146	181	237	285	451	660	888	1,136	1,375
	1200	34	71	94	117	144	189	228	361	528	710	908	1,100
	1800	51	107	141	176	217	284	342	542	792	1,066	1,363	1,650
40	1000	25	54	71	89	102	144	166	260	376	500	702	784
	1500	38	81	107	134	153	217	250	390	565	750	1,052	1,176
	1200	30	65	85	107	122	173	200	312	452	600	842	940
	1800	45	98	128	160	183	260	300	468	677	900	1,263	1,411
45	1000	22	47	65	78	96	126	154	238	345	459	647	718
	1500	33	70	97	117	144	190	230	356	518	688	971	1,078
	1200	27	56	77	93	115	152	184	285	414	551	777	862
	1800	40	85	116	140	173	228	276	428	621	826	1,165	1,293
50	1000	20	43	56	71	82	116	135	205	295	397	541	614
	1500	30	64	85	107	122	173	202	307	442	596	812	921
	1200	24	52	68	85	98	139	161	246	353	477	649	737
	1800	36	77	102	128	147	208	242	368	530	715	974	1,105
56	1000	18	37	51	62	78	100	124	187	270	365	501	563
	1500	27	55	77	92	117	150	186	281	405	547	752	844
	1200	21	44	61	74	93	120	149	225	324	438	602	675
	1800	32	66	92	111	140	180	223	337	486	656	903	1,013
63	1000	16	34	44	56	65	91	107	160	231	309	429	481
	1500	24	50	66	85	98	137	161	241	347	463	643	722
	1200	19	40	53	68	78	110	129	192	277	370	515	577
	1800	29	60	79	102	117	165	193	289	416	555	772	866
71	1000	14	29	40	50	61	80	99	147	212	283	397	451
	1500	21	44	60	75	92	120	148	220	318	425	596	677
	1200	17	35	48	60	74	96	119	176	254	340	477	541
	1800	25	52	72	90	111	144	178	264	381	510	715	812
80	1000	13	27	35	46	52	73	86	133	191	260	332	417
	1500	19	40	52	69	78	110	129	200	287	389	498	626
	1200	15	32	42	55	62	88	104	160	230	312	399	501
	1800	23	48	63	83	93	132	155	240	345	467	598	751
90	1000	11	23	32	39	49	63	79	114	164	220	308	380
	1500	17	34	48	59	74	94	119	171	246	330	462	570
	1200	13	27	38	47	59	76	95	137	197	264	369	456
	1800	20	41	57	71	88	113	143	205	295	395	554	684

Power

# Nominal Power Ratings



Nom. Ratio	Nominal Input Speed	Nominal Output Speed	SK 5407/ SK 5507	SK 6407/ SK 6507	SK 7407/ SK 7507	SK 8407/ SK 8507	SK 9407/ SK 9507	SK 10407/ SK 10507	SK 11407/ SK 11507	SK 12407/ SK 12507	SK 13407/ SK 13507	SK 14407/ SK 14507	SK 15407/ SK 15507
			Rated Power										
$i_N$	$n_{1N}$	$n_{2N}$	$P_N$	$P_N$	$P_N$	$P_N$	$P_N$	$P_N$	$P_N$	$P_N$	$P_N$	$P_N$	$P_N$
	[rpm]	[rpm]	[HP]	[HP]	[HP]	[HP]	[HP]	[HP]	[HP]	[HP]	[HP]	[HP]	[HP]
100	1000	10	21	27	36	41	58	68	104	150	202	282	362
	1500	15	31	41	54	61	86	102	157	225	303	423	544
	1200	12	25	33	43	49	69	82	125	180	242	338	435
	1800	18	37	49	65	73	104	122	188	270	363	507	652
112	1000	9	18	---	33	38	52	62	94	133	179	236	327
	1500	13	27	---	49	58	78	94	140	200	268	353	490
	1200	11	22	---	39	46	63	75	112	160	215	283	392
	1800	16	32	---	59	69	94	112	168	240	322	424	589
125	1000	8	16	22	30	34	48	56	86	122	164	218	300
	1500	12	25	32	45	50	72	85	128	183	246	327	450
	1200	10	20	26	36	40	57	68	103	146	197	262	360
	1800	14	30	39	54	60	86	101	154	220	296	393	540
140	1000	7	14	20	25	31	41	51	73	104	139	191	256
	1500	11	21	29	38	46	61	76	110	157	208	287	384
	1200	9	17	24	30	37	49	61	88	125	167	230	308
	1800	13	26	35	45	56	73	92	132	188	250	344	461
160	1000	6	13	17	23	25	37	41	67	96	127	177	235
	1500	9	19	26	35	37	56	62	101	144	191	266	352
	1200	8	16	20	28	30	44	49	80	115	153	213	282
	1800	11	23	31	41	45	67	74	121	172	229	319	423
180	1000	6	11	15	18	23	34	38	60	85	114	148	206
	1500	8	17	23	28	35	51	57	90	127	171	222	309
	1200	7	14	19	22	28	41	46	72	102	137	178	247
	1800	10	20	28	33	42	61	68	108	153	206	267	371
200	1000	5	10	14	19	19	31	33	55	78	105	137	189
	1500	8	16	20	28	28	46	50	82	117	157	206	283
	1200	6	12	16	23	22	37	40	66	93	126	165	226
	1800	9	19	24	34	33	56	60	98	140	189	247	340



Nom. Ratio	Nominal Input Speed	Nominal Output Speed	SK 5407/ SK 5507	SK 6407/ SK 6507	SK 7407/ SK 7507	SK 8407/ SK 8507	SK 9407/ SK 9507	SK 10407/ SK 10507	SK 11407/ SK 11507	SK 12407/ SK 12507	SK 13407/ SK 13507	SK 14407/ SK 14507	SK 15407/ SK 15507
			Rated Power										
$i_N$	$n_{1N}$	$n_{2N}$	$P_N$	$P_N$	$P_N$	$P_N$	$P_N$	$P_N$	$P_N$	$P_N$	$P_N$	$P_N$	$P_N$
	[rpm]	[rpm]	[HP]	[HP]	[HP]	[HP]	[HP]	[HP]	[HP]	[HP]	[HP]	[HP]	[HP]
224	1000	4	9	12	17	18	28	33	47	66	89	122	161
	1500	7	14	19	25	27	41	49	70	100	133	183	242
	1200	5	11	15	20	22	33	39	56	80	106	146	194
	1800	8	17	22	30	33	50	59	84	120	160	219	290
250	1000	4	8	11	15	17	25	29	43	61	81	113	148
	1500	6	13	17	23	25	38	44	64	91	122	169	222
	1200	5	10	13	18	20	30	35	51	73	98	135	177
	1800	7	15	20	27	30	45	52	77	110	146	203	266
280	1000	4	7	10	13	16	21	27	37	52	72	94	129
	1500	5	11	15	19	24	32	40	55	78	108	141	193
	1200	4	9	12	15	19	26	32	44	63	86	113	154
	1800	6	13	18	23	29	39	48	67	94	129	170	231
315	1000	3	7	9	12	13	20	22	34	48	66	87	118
	1500	5	10	13	18	19	29	34	51	72	99	131	177
	1200	4	8	10	14	16	23	27	41	57	79	105	141
	1800	6	12	16	21	23	35	40	61	86	118	157	212
355	1000	3	6	8	10	12	18	20	29	41	56	76	101
	1500	4	9	12	16	18	27	31	43	61	83	114	151
	1200	3	7	9	13	15	21	24	35	49	67	91	121
	1800	5	10	14	19	22	32	37	52	74	100	137	181
400	1000	3	5	7	10	9	16	18	27	38	51	70	92
	1500	4	8	10	14	14	25	28	40	56	77	106	139
	1200	3	6	8	11	11	20	22	32	45	61	85	111
	1800	5	10	13	17	17	29	33	48	68	92	127	166
450	1000	3	---	6	---	9	---	17	---	---	---	---	---
	1500	4	---	9	---	14	---	25	---	---	---	---	---
	1200	3	---	8	---	11	---	20	---	---	---	---	---
	1800	5	---	11	---	16	---	30	---	---	---	---	---

# Nominal Output Torques



Nom. Ratio	SK 5407/ SK 5507	SK 6407/ SK 6507	SK 7407/ SK 7507	SK 8407/ SK 8507	SK 9407/ SK 9507	SK 10407/ SK 10507	SK 11407/ SK 11507	SK 12407/ SK 12507	SK 13407/ SK 13507	SK 14407/ SK 14507	SK 15407/ SK 15507
	Output Torque										
	$i_n$	$M_{2max}$ [lb-in × 1000]	$M_{2max}$ [lb-in × 1000]	$M_{2max}$ [lb-in × 1000]	$M_{2max}$ [lb-in × 1000]	$M_{2max}$ [lb-in × 1000]	$M_{2max}$ [lb-in × 1000]	$M_{2max}$ [lb-in × 1000]	$M_{2max}$ [lb-in × 1000]	$M_{2max}$ [lb-in × 1000]	$M_{2max}$ [lb-in × 1000]
12.5	---	---	---	---	---	---	551	770	929	---	1,275
14	---	---	---	---	---	---	602	836	1,018	1,097	1,390
16	---	---	---	---	---	---	620	885	1,142	1,195	1,602
18	133	---	212	---	320	---	637	920	1,239	1,372	1,726
20	133	173	214	243	341	363	640	934	1,261	1,505	1,806
22.4	133	177	219	254	354	396	644	943	1,283	1,637	1,885
25	133	177	217	255	356	416	651	947	1,285	1,682	1,929
28	133	177	218	259	358	417	651	947	1,288	1,682	1,943
31.5	133	177	219	261	360	421	652	947	1,230	1,682	1,947
35.5	133	177	221	262	362	426	653	947	1,261	1,682	1,947
40	133	177	222	263	364	430	659	947	1,260	1,682	1,947
45	133	177	223	264	366	435	660	947	1,262	1,682	1,947
50	133	177	224	266	368	439	661	947	1,264	1,682	1,947
56	133	177	226	270	370	443	662	947	1,266	1,682	1,947
63	133	177	227	272	372	448	663	947	1,267	1,682	1,947
71	133	177	230	273	374	452	664	947	1,269	1,682	1,991
80	133	177	234	273	376	455	665	947	1,271	1,682	2,036
90	133	177	235	274	378	458	666	947	1,273	1,682	2,168
100	133	177	235	275	380	460	666	947	1,275	1,682	2,257
112	133	177	235	276	383	463	667	947	1,276	1,682	2,301
125	133	177	235	275	385	466	668	947	1,277	1,682	2,301
140	133	177	236	270	387	460	669	947	1,279	1,682	2,301
160	133	177	236	266	389	443	670	947	1,280	1,682	2,301
180	133	177	212	266	391	447	671	947	1,282	1,682	2,301
200	133	177	237	243	393	434	672	947	1,282	1,682	2,301
224	133	177	238	252	395	465	673	947	1,284	1,682	2,301
250	133	177	238	270	397	469	674	947	1,285	1,682	2,301
280	133	177	239	274	399	469	674	947	1,287	1,682	2,301
315	133	177	239	274	401	469	675	947	1,288	1,682	2,301
355	133	177	239	274	403	469	676	947	1,290	1,682	2,301
400	133	177	240	239	405	469	677	947	1,290	1,682	2,301
450	---	177	---	252	---	469	---	---	---	---	---

Output Torque



SK ..407 Units



SK ..507 Units





Nom. Ratio	SK 5407/ SK 5507	SK 6407/ SK 6507	SK 7407/ SK 7507	SK 8407/ SK 8507	SK 9407/ SK 9507	SK 10407/ SK 10507	SK 11407/ SK 11507	SK 12407/ SK 12507	SK 13407/ SK 13507	SK 14407/ SK 14507	SK 15407/ SK 15507
	Moments of Inertia										
$i_n$	$j_1$ [lb-ft <sup>2</sup> ]	$j_1$ [lb-ft <sup>2</sup> ]	$j_1$ [lb-ft <sup>2</sup> ]	$j_1$ [lb-ft <sup>2</sup> ]	$j_1$ [lb-ft <sup>2</sup> ]	$j_1$ [lb-ft <sup>2</sup> ]	$j_1$ [lb-ft <sup>2</sup> ]	$j_1$ [lb-ft <sup>2</sup> ]	$j_1$ [lb-ft <sup>2</sup> ]	$j_1$ [lb-ft <sup>2</sup> ]	$j_1$ [lb-ft <sup>2</sup> ]
12.5	---	---	---	---	---	---	0,501	0,819	1,290	---	3,360
14	---	---	---	---	---	---	0,492	0,806	1,270	1,640	3,310
16	---	---	---	---	---	---	0,417	0,683	1,100	1,580	2,750
18	0,034	---	0,067	---	0,142	---	0,412	0,676	1,080	1,320	2,720
20	0,033	0,035	0,066	0,071	0,141	0,150	0,375	0,612	0,966	1,290	2,390
22.4	0,030	0,035	0,059	0,069	0,120	0,146	0,371	0,607	0,957	1,130	2,360
25	0,030	0,031	0,059	0,061	0,119	0,125	0,329	0,538	0,841	1,100	2,050
28	0,012	0,031	0,024	0,060	0,054	0,123	0,327	0,535	0,835	0,983	2,040
31.5	0,012	0,013	0,024	0,025	0,053	0,056	0,177	0,267	0,351	0,967	0,888
35.5	0,011	0,013	0,021	0,025	0,045	0,055	0,175	0,265	0,348	0,853	0,879
40	0,011	0,011	0,021	0,022	0,045	0,047	0,158	0,237	0,299	0,844	0,748
45	0,010	0,011	0,019	0,022	0,041	0,046	0,157	0,236	0,297	0,390	0,743
50	0,010	0,010	0,019	0,019	0,040	0,042	0,059	0,111	0,179	0,332	0,397
56	0,005	0,010	0,010	0,019	0,020	0,041	0,058	0,110	0,178	0,327	0,394
63	0,005	0,005	0,010	0,010	0,020	0,021	0,051	0,099	0,159	0,197	0,345
71	0,005	0,005	0,009	0,010	0,019	0,021	0,051	0,099	0,158	0,194	0,343
80	0,005	0,005	0,009	0,009	0,019	0,019	0,036	0,065	0,123	0,172	0,231
90	0,004	0,005	0,009	0,009	0,017	0,019	0,033	0,060	0,114	0,170	0,209
100	0,004	0,004	0,009	0,009	0,017	0,017	0,032	0,059	0,114	0,169	0,208
112	0,002	0,004	0,004	0,009	0,011	0,017	0,027	0,050	0,097	0,162	0,167
125	0,002	0,002	0,004	0,004	0,011	0,011	0,026	0,050	0,097	0,161	0,167
140	0,002	0,002	0,004	0,004	0,010	0,011	0,025	0,048	0,093	0,141	0,158
160	0,002	0,002	0,004	0,004	0,010	0,010	0,025	0,047	0,093	0,140	0,157
180	0,002	0,002	0,003	0,004	0,010	0,010	0,022	0,043	0,086	0,137	0,136
200	0,002	0,002	0,003	0,003	0,010	0,010	0,022	0,043	0,085	0,137	0,136
224	0,002	0,002	0,003	0,003	0,009	0,010	0,022	0,042	0,084	0,129	0,132
250	0,002	0,002	0,003	0,003	0,009	0,009	0,022	0,042	0,084	0,129	0,132
280	0,001	0,002	0,003	0,003	0,008	0,009	0,020	0,038	0,078	0,128	0,115
315	0,001	0,001	0,003	0,003	0,008	0,008	0,020	0,038	0,078	0,127	0,115
355	0,001	0,001	0,003	0,003	0,008	0,008	0,019	0,038	0,077	0,120	0,114
400	0,001	0,001	0,003	0,003	0,008	0,008	0,019	0,038	0,077	0,120	0,114
450	---	0,001	---	0,003	---	0,008	---	---	---	---	---

Moments of Inertia

SK ..407 Units

SK ..507 Units

# Exact Ratio



Nom. Ratio	SK 5407/ SK 5507	SK 6407/ SK 6507	SK 7407/ SK 7507	SK 8407/ SK 8507	SK 9407/ SK 9507	SK 10407/ SK 10507	SK 11407/ SK 11507	SK 12407/ SK 12507	SK 13407/ SK 13507	SK 14407/ SK 14507	SK 15407/ SK 15507
	Exact Ratio										
$i_n$	$i_{ges}$	$i_{ges}$	$i_{ges}$	$i_{ges}$	$i_{ges}$	$i_{ges}$	$i_{ges}$	$i_{ges}$	$i_{ges}$	$i_{ges}$	$i_{ges}$
12.5	---	---	---	---	---	---	12,74	12,81	13,04	---	12,61
14	---	---	---	---	---	---	13,95	13,97	14,22	14,02	13,76
16	---	---	---	---	---	---	16,34	16,33	16,00	15,12	16,10
18	18,00	---	17,52	---	17,72	---	17,89	17,81	17,45	17,76	17,56
20	19,68	19,97	19,26	19,96	19,48	19,96	20,35	20,25	20,04	19,16	19,98
22.4	21,86	22,01	22,09	21,20	22,35	21,86	22,27	22,09	21,86	21,80	21,79
25	23,88	24,25	24,30	25,18	24,56	25,18	26,04	25,82	25,87	23,52	25,49
28	29,31	26,72	28,53	26,76	28,85	27,56	28,50	28,16	28,22	27,30	27,81
31.5	32,05	32,53	31,36	32,50	31,72	32,50	31,46	31,31	30,99	29,45	30,89
35.5	35,59	35,85	35,97	34,53	36,40	35,59	34,45	34,16	33,80	35,24	33,70
40	38,89	39,49	39,57	41,01	40,00	41,01	40,26	39,92	40,01	38,02	39,42
45	44,84	43,52	45,45	43,57	45,95	44,89	44,08	43,55	43,64	41,21	43,00
50	49,02	49,78	49,96	51,78	50,51	51,78	51,25	51,01	50,48	49,31	50,33
56	57,48	54,85	58,09	55,02	58,79	56,70	56,11	55,64	55,07	53,20	54,90
63	62,80	63,78	63,90	66,23	64,60	66,23	65,59	65,04	65,17	62,22	64,21
71	72,41	70,28	73,39	70,36	74,21	72,49	71,80	70,94	71,09	67,13	70,05
80	79,16	80,39	80,67	83,62	81,57	83,62	79,13	78,46	77,66	80,33	77,42
90	93,19	88,57	94,30	88,85	95,36	91,55	92,50	91,72	91,91	86,67	90,56
100	101,82	103,42	103,66	107,43	104,85	107,43	101,26	100,05	100,26	94,67	98,78
112	117,20	113,93	114,10	114,14	116,35	117,65	113,11	112,83	113,14	113,28	111,66
125	128,05	130,05	125,47	130,05	127,88	131,07	123,83	123,08	123,42	122,22	121,80
140	148,38	143,30	148,13	138,15	151,28	143,51	144,75	143,87	146,08	139,45	142,47
160	162,12	164,66	162,86	168,79	166,30	170,43	158,47	156,94	159,35	150,46	155,41
180	185,93	181,43	182,45	179,35	182,86	186,63	178,17	177,31	177,88	180,04	177,34
200	203,20	206,35	200,62	207,90	200,99	205,98	195,05	193,41	194,04	194,25	193,45
224	229,58	227,37	226,60	220,87	227,29	225,57	228,01	226,08	229,66	219,24	226,28
250	250,85	254,78	249,18	258,22	249,83	256,05	249,61	246,62	250,52	236,54	246,83
280	290,66	280,72	294,18	274,38	295,57	280,39	289,22	287,82	284,85	283,06	283,98
315	317,58	322,57	323,47	335,21	324,86	332,92	316,62	313,96	310,73	305,40	309,77
355	364,21	355,38	362,29	356,15	357,22	364,58	370,12	366,99	367,77	351,08	362,35
400	398,00	404,22	398,37	412,85	392,65	402,38	405,18	400,33	401,17	378,79	395,26
450	---	445,38	---	438,67	---	440,63	---	---	---	---	---

Exact Ratio



**SK ..407 Units**



**SK ..507 Units**



# Thermal Rating M1/M3 Mounting - 1000 rpm @ 20°C = 68°F



Nom. Ratio	Cooling Type		SK 5407/ SK 5507	SK 6407/ SK 6507	SK 7407/ SK 7507	SK 8407/ SK 8507	SK 9407/ SK 9507	SK 10407/ SK 10507	SK 11407/ SK 11507	SK 12407/ SK 12507	SK 13407/ SK 13507	SK 14407/ SK 14507	SK 15407/ SK 15507	
	$i_n$		Thermal Power											
			$P_N$ [HP]	$P_N$ [HP]	$P_N$ [HP]	$P_N$ [HP]	$P_N$ [HP]	$P_N$ [HP]	$P_N$ [HP]	$P_N$ [HP]	$P_N$ [HP]	$P_N$ [HP]	$P_N$ [HP]	
12.5	---	$P_{t0.20}$	---	---	---	---	---	---	---	271	274	409	---	417
	FAN	$P_{f20}$	---	---	---	---	---	---	---	225	294	394	---	579
	CC	$P_{c20}$	---	---	---	---	---	---	---	417	608	867	---	998
14	---	$P_{t0.20}$	---	---	---	---	---	---	---	262	262	396	446	406
	FAN	$P_{f20}$	---	---	---	---	---	---	---	215	277	377	432	550
	CC	$P_{c20}$	---	---	---	---	---	---	---	398	573	829	835	948
16	---	$P_{t0.20}$	---	---	---	---	---	---	---	266	280	418	439	475
	FAN	$P_{f20}$	---	---	---	---	---	---	---	208	271	368	420	530
	CC	$P_{c20}$	---	---	---	---	---	---	---	387	562	812	811	917
18	---	$P_{t0.20}$	128	---	152	---	221	---	---	256	266	403	454	457
	FAN	$P_{f20}$	79	---	103	---	155	---	---	199	255	352	391	504
	CC	$P_{c20}$	118	---	126	---	139	---	---	369	529	776	758	872
20	---	$P_{t0.20}$	123	144	148	159	212	252	---	256	276	410	464	489
	FAN	$P_{f20}$	76	88	100	104	147	171	---	193	251	338	377	485
	CC	$P_{c20}$	112	120	122	115	132	138	---	359	520	747	732	841
22.4	---	$P_{t0.20}$	122	137	145	170	214	241	---	246	262	395	453	469
	FAN	$P_{f20}$	75	83	97	112	146	162	---	184	236	323	366	461
	CC	$P_{c20}$	111	114	119	123	131	131	---	342	490	714	711	800
25	---	$P_{t0.20}$	117	137	141	152	205	244	---	241	263	387	449	482
	FAN	$P_{f20}$	71	83	94	98	139	161	---	176	228	303	347	437
	CC	$P_{c20}$	106	113	115	108	125	130	---	327	473	671	675	760
28	---	$P_{t0.20}$	105	130	127	162	194	233	---	231	250	372	438	462
	FAN	$P_{f20}$	63	79	82	105	124	153	---	168	215	290	337	416
	CC	$P_{c20}$	93	107	100	115	112	124	---	312	446	642	655	723
31.5	---	$P_{t0.20}$	101	117	124	133	186	219	---	222	243	383	419	519
	FAN	$P_{f20}$	60	70	80	83	119	137	---	152	186	257	312	368
	CC	$P_{c20}$	90	95	98	92	107	111	---	283	389	571	608	642
35.5	---	$P_{t0.20}$	100	112	121	142	185	209	---	214	233	369	409	498
	FAN	$P_{f20}$	59	66	78	89	117	131	---	145	177	247	304	352
	CC	$P_{c20}$	88	90	95	98	106	106	---	271	369	549	591	614
40	---	$P_{t0.20}$	96	112	118	127	177	209	---	208	230	355	424	489
	FAN	$P_{f20}$	57	66	75	78	112	130	---	140	172	235	277	337
	CC	$P_{c20}$	85	90	92	86	101	105	---	260	359	521	539	589
45	---	$P_{t0.20}$	93	106	114	135	173	199	---	200	219	343	402	469
	FAN	$P_{f20}$	55	63	72	84	109	123	---	134	163	226	259	323
	CC	$P_{c20}$	82	86	88	92	98	100	---	250	341	501	505	564
50	---	$P_{t0.20}$	89	104	111	119	165	195	---	182	218	257	392	437
	FAN	$P_{f20}$	53	61	70	73	104	120	---	114	145	174	252	280
	CC	$P_{c20}$	79	84	86	80	93	97	---	212	303	392	492	490
56	---	$P_{t0.20}$	81	99	113	127	160	186	---	176	209	250	357	421
	FAN	$P_{f20}$	47	58	66	78	95	114	---	109	138	169	221	270
	CC	$P_{c20}$	70	79	81	86	85	92	---	204	289	380	431	471
63	---	$P_{t0.20}$	78	90	110	116	154	179	---	171	205	241	349	410
	FAN	$P_{f20}$	45	52	64	67	91	104	---	106	135	162	215	261
	CC	$P_{c20}$	68	71	79	74	81	85	---	198	282	365	420	456
71	---	$P_{t0.20}$	76	86	106	124	150	172	---	165	197	235	331	394
	FAN	$P_{f20}$	44	50	62	72	88	100	---	102	129	157	203	250
	CC	$P_{c20}$	66	68	76	79	79	81	---	190	269	353	397	438
80	---	$P_{t0.20}$	73	84	103	109	144	168	---	135	169	201	323	309
	FAN	$P_{f20}$	42	49	60	62	84	97	---	86	112	141	198	215
	CC	$P_{c20}$	63	67	73	69	76	79	---	161	232	315	387	376
90	---	$P_{t0.20}$	71	81	98	116	138	160	---	131	165	194	261	301
	FAN	$P_{f20}$	41	47	57	67	81	93	---	83	108	135	176	208
	CC	$P_{c20}$	62	64	70	73	73	75	---	154	224	300	341	363
100	---	$P_{t0.20}$	69	79	95	101	133	155	---	127	159	189	247	291
	FAN	$P_{f20}$	40	46	56	58	78	89	---	80	104	131	165	201
	CC	$P_{c20}$	59	63	68	63	70	72	---	149	215	292	320	351

Thermal Ratings



Nom. Ratio	Cooling Type		SK 5407/ SK 5507	SK 6407/ SK 6507	SK 7407/ SK 7507	SK 8407/ SK 8507	SK 9407/ SK 9507	SK 10407/ SK 10507	SK 11407/ SK 11507	SK 12407/ SK 12507	SK 13407/ SK 13507	SK 14407/ SK 14507	SK 15407/ SK 15507
			Thermal Power										
$i_N$			$P_N$ [HP]	$P_N$ [HP]	$P_N$ [HP]	$P_N$ [HP]	$P_N$ [HP]	$P_N$ [HP]	$P_N$ [HP]	$P_N$ [HP]	$P_N$ [HP]	$P_N$ [HP]	$P_N$ [HP]
112	---	$P_{t_{0.20}}$	58	76	76	107	115	148	128	162	189	242	296
	FAN	$P_{f_{0.20}}$	34	44	45	62	68	85	80	104	129	162	200
	CC	$P_{c_{0.20}}$	50	60	55	68	61	69	149	217	288	314	349
125	---	$P_{t_{0.20}}$	56	65	74	79	111	129	124	155	184	239	286
	FAN	$P_{f_{0.20}}$	33	38	44	46	66	75	78	100	126	158	193
	CC	$P_{c_{0.20}}$	49	51	53	50	59	61	144	208	280	306	337
140	---	$P_{t_{0.20}}$	55	62	71	83	107	124	119	151	177	234	277
	FAN	$P_{f_{0.20}}$	32	36	42	48	63	72	74	96	119	154	186
	CC	$P_{c_{0.20}}$	48	49	51	53	56	58	137	200	266	300	325
160	---	$P_{t_{0.20}}$	53	61	70	74	103	119	115	145	172	220	267
	FAN	$P_{f_{0.20}}$	31	36	41	43	60	69	72	92	116	144	180
	CC	$P_{c_{0.20}}$	46	48	50	47	54	56	133	192	258	280	314
180	---	$P_{t_{0.20}}$	52	59	69	78	101	115	113	142	169	215	260
	FAN	$P_{f_{0.20}}$	30	34	41	45	59	66	70	90	113	141	173
	CC	$P_{c_{0.20}}$	45	46	50	50	53	54	130	188	251	274	302
200	---	$P_{t_{0.20}}$	50	57	68	72	97	113	109	137	164	210	251
	FAN	$P_{f_{0.20}}$	29	33	40	42	57	65	67	87	110	136	167
	CC	$P_{c_{0.20}}$	43	45	48	46	51	53	125	180	244	265	291
224	---	$P_{t_{0.20}}$	50	55	66	76	99	108	105	132	157	205	243
	FAN	$P_{f_{0.20}}$	29	32	39	44	58	62	64	83	104	133	161
	CC	$P_{c_{0.20}}$	44	44	47	48	52	50	119	173	231	259	281
250	---	$P_{t_{0.20}}$	49	56	65	69	95	110	102	127	152	193	234
	FAN	$P_{f_{0.20}}$	28	32	38	39	55	64	62	80	101	124	155
	CC	$P_{c_{0.20}}$	42	44	46	43	50	52	115	166	224	241	271
280	---	$P_{t_{0.20}}$	47	54	62	73	91	106	96	121	145	189	221
	FAN	$P_{f_{0.20}}$	27	31	36	42	53	61	59	76	96	122	146
	CC	$P_{c_{0.20}}$	41	42	44	46	48	49	110	159	214	236	256
315	---	$P_{t_{0.20}}$	46	53	60	64	87	101	93	116	141	174	214
	FAN	$P_{f_{0.20}}$	26	30	35	37	51	58	57	73	93	114	141
	CC	$P_{c_{0.20}}$	39	42	43	40	46	47	106	152	208	221	247
355	---	$P_{t_{0.20}}$	44	50	60	68	85	97	90	113	135	171	207
	FAN	$P_{f_{0.20}}$	26	29	35	39	50	56	54	70	88	111	136
	CC	$P_{c_{0.20}}$	38	40	43	43	45	45	101	146	197	217	238
400	---	$P_{t_{0.20}}$	43	49	59	62	82	95	87	108	131	171	200
	FAN	$P_{f_{0.20}}$	25	29	34	36	47	54	53	68	86	111	131
	CC	$P_{c_{0.20}}$	37	39	42	39	43	44	98	140	191	217	230
450	---	$P_{t_{0.20}}$	---	47	---	66	---	91	---	---	---	---	---
	FAN	$P_{f_{0.20}}$	---	27	---	38	---	52	---	---	---	---	---
	CC	$P_{c_{0.20}}$	---	37	---	42	---	42	---	---	---	---	---

Thermal Ratings

# Thermal Rating M1/M3 Mounting - 1000 rpm @ 40°C = 104°F



Nom. Ratio	Cooling Type		SK 5407/ SK 5507	SK 6407/ SK 6507	SK 7407/ SK 7507	SK 8407/ SK 8507	SK 9407/ SK 9507	SK 10407/ SK 10507	SK 11407/ SK 11507	SK 12407/ SK 12507	SK 13407/ SK 13507	SK 14407/ SK 14507	SK 15407/ SK 15507	
			Thermal Power											
$i_n$			$P_N$ [HP]	$P_N$ [HP]	$P_N$ [HP]	$P_N$ [HP]	$P_N$ [HP]	$P_N$ [HP]	$P_N$ [HP]	$P_N$ [HP]	$P_N$ [HP]	$P_N$ [HP]	$P_N$ [HP]	
12,5	---	$P_{t0.40}$	---	---	---	---	---	---	---	216	201	311	---	268
	FAN	$P_{f.40}$	---	---	---	---	---	---	---	196	257	348	---	518
	CC	$P_{c.20}$	---	---	---	---	---	---	---	425	620	888	---	1,032
14	---	$P_{t0.40}$	---	---	---	---	---	---	---	209	194	302	338	265
	FAN	$P_{f.40}$	---	---	---	---	---	---	---	187	242	332	382	492
	CC	$P_{c.20}$	---	---	---	---	---	---	---	406	585	849	857	980
16	---	$P_{t0.40}$	---	---	---	---	---	---	---	215	213	327	333	342
	FAN	$P_{f.40}$	---	---	---	---	---	---	---	181	237	324	371	470
	CC	$P_{c.20}$	---	---	---	---	---	---	---	394	573	830	833	944
18	---	$P_{t0.40}$	109	---	127	---	184	---	---	207	204	316	357	331
	FAN	$P_{f.40}$	68	---	89	---	134	---	---	173	223	309	344	446
	CC	$P_{c.20}$	120	---	129	---	142	---	---	376	540	793	776	897
20	---	$P_{t0.40}$	105	123	123	133	176	211	---	209	214	328	371	369
	FAN	$P_{f.40}$	65	76	87	90	128	148	---	168	219	296	332	428
	CC	$P_{c.20}$	115	122	125	117	135	141	---	365	530	763	750	864
22,4	---	$P_{t0.40}$	104	117	122	143	179	201	---	201	204	316	363	355
	FAN	$P_{f.40}$	64	72	84	97	127	141	---	160	206	283	322	407
	CC	$P_{c.20}$	113	116	121	125	134	134	---	349	500	730	728	822
25	---	$P_{t0.40}$	100	117	119	128	171	205	---	198	208	313	363	375
	FAN	$P_{f.40}$	62	72	82	85	120	140	---	153	198	265	305	384
	CC	$P_{c.20}$	108	115	117	110	128	133	---	333	482	684	690	778
28	---	$P_{t0.40}$	89	111	108	137	164	195	---	190	198	302	355	359
	FAN	$P_{f.40}$	54	68	71	91	108	133	---	146	187	254	296	366
	CC	$P_{c.20}$	95	109	102	118	114	127	---	318	454	655	670	741
31,5	---	$P_{t0.40}$	86	100	105	113	157	185	---	185	199	320	343	430
	FAN	$P_{f.40}$	52	60	69	72	103	119	---	131	161	225	274	321
	CC	$P_{c.20}$	91	97	99	93	109	113	---	287	395	582	621	656
35,5	---	$P_{t0.40}$	85	96	103	120	157	178	---	178	190	309	334	413
	FAN	$P_{f.40}$	51	57	67	77	102	113	---	126	153	216	266	307
	CC	$P_{c.20}$	90	92	96	100	108	108	---	275	375	560	604	627
40	---	$P_{t0.40}$	82	95	100	107	150	177	---	174	188	299	356	408
	FAN	$P_{f.40}$	49	57	65	68	97	112	---	121	149	204	242	295
	CC	$P_{c.20}$	86	92	94	88	103	107	---	265	365	531	551	602
45	---	$P_{t0.40}$	79	91	97	114	147	169	---	167	180	288	339	391
	FAN	$P_{f.40}$	48	54	62	72	94	107	---	116	142	197	226	282
	CC	$P_{c.20}$	83	87	90	94	100	102	---	254	346	511	515	576
50	---	$P_{t0.40}$	76	89	94	101	141	166	---	155	184	215	331	369
	FAN	$P_{f.40}$	46	53	61	63	90	104	---	98	125	151	220	245
	CC	$P_{c.20}$	80	85	87	82	95	99	---	215	308	397	502	500
56	---	$P_{t0.40}$	69	85	97	107	137	158	---	150	176	210	304	356
	FAN	$P_{f.40}$	41	50	57	67	82	99	---	95	119	146	193	235
	CC	$P_{c.20}$	71	81	83	88	87	94	---	207	293	385	439	481
63	---	$P_{t0.40}$	67	77	94	100	132	154	---	145	173	203	297	347
	FAN	$P_{f.40}$	39	45	56	58	78	90	---	91	117	140	188	227
	CC	$P_{c.20}$	69	73	80	75	83	86	---	201	287	370	429	465
71	---	$P_{t0.40}$	65	74	91	107	129	147	---	141	166	197	281	334
	FAN	$P_{f.40}$	38	43	54	62	76	86	---	88	111	136	177	218
	CC	$P_{c.20}$	67	69	77	80	81	82	---	193	273	358	405	447
80	---	$P_{t0.40}$	63	72	88	94	123	144	---	114	142	167	275	257
	FAN	$P_{f.40}$	37	42	52	54	73	84	---	75	97	123	173	188
	CC	$P_{c.20}$	64	68	75	70	77	80	---	163	236	320	395	384
90	---	$P_{t0.40}$	61	69	84	100	119	138	---	110	139	162	218	251
	FAN	$P_{f.40}$	36	40	49	58	70	80	---	72	94	117	154	182
	CC	$P_{c.20}$	63	65	71	75	74	77	---	156	228	305	349	371
100	---	$P_{t0.40}$	59	68	82	87	114	133	---	107	134	158	206	243
	FAN	$P_{f.40}$	34	40	48	50	67	77	---	69	90	114	145	176
	CC	$P_{c.20}$	60	64	69	65	71	74	---	151	219	297	328	359

Thermal Ratings



Nom. Ratio	Cooling Type		SK 5407/ SK 5507	SK 6407/ SK 6507	SK 7407/ SK 7507	SK 8407/ SK 8507	SK 9407/ SK 9507	SK 10407/ SK 10507	SK 11407/ SK 11507	SK 12407/ SK 12507	SK 13407/ SK 13507	SK 14407/ SK 14507	SK 15407/ SK 15507
			Thermal Power										
$i_N$			$P_N$ [HP]	$P_N$ [HP]	$P_N$ [HP]	$P_N$ [HP]	$P_N$ [HP]	$P_N$ [HP]	$P_N$ [HP]	$P_N$ [HP]	$P_N$ [HP]	$P_N$ [HP]	$P_N$ [HP]
112	---	$P_{t_{0.40}}$	50	65	65	92	99	127	108	136	158	202	247
	FAN	$P_{f_{0.40}}$	29	38	39	53	59	74	69	90	112	142	175
	CC	$P_{c_{0.20}}$	51	61	56	69	63	71	152	221	293	321	357
125	---	$P_{t_{0.40}}$	48	55	64	68	95	111	105	131	154	200	239
	FAN	$P_{f_{0.40}}$	28	32	38	40	57	65	67	87	109	138	169
	CC	$P_{c_{0.20}}$	50	52	54	51	60	62	147	212	285	313	344
140	---	$P_{t_{0.40}}$	47	53	61	72	92	106	101	127	148	196	232
	FAN	$P_{f_{0.40}}$	28	31	36	42	54	62	64	84	104	135	163
	CC	$P_{c_{0.20}}$	48	50	52	54	58	60	140	203	270	306	332
160	---	$P_{t_{0.40}}$	46	52	60	64	88	103	98	122	144	185	224
	FAN	$P_{f_{0.40}}$	27	31	35	37	52	60	62	80	101	126	157
	CC	$P_{c_{0.20}}$	47	49	51	48	55	57	135	195	263	286	321
180	---	$P_{t_{0.40}}$	44	50	60	67	87	99	96	120	142	181	218
	FAN	$P_{f_{0.40}}$	26	29	35	39	51	57	60	78	98	124	151
	CC	$P_{c_{0.20}}$	46	47	51	51	54	55	132	191	256	280	308
200	---	$P_{t_{0.40}}$	43	49	58	62	83	97	93	116	138	176	211
	FAN	$P_{f_{0.40}}$	25	29	34	36	49	56	58	75	95	119	146
	CC	$P_{c_{0.20}}$	44	46	49	47	52	54	128	183	248	271	297
224	---	$P_{t_{0.40}}$	43	47	57	66	85	93	89	112	132	173	204
	FAN	$P_{f_{0.40}}$	25	28	33	38	50	54	56	72	90	117	140
	CC	$P_{c_{0.20}}$	44	44	48	49	53	52	121	176	235	265	287
250	---	$P_{t_{0.40}}$	42	48	55	59	81	95	86	108	128	162	197
	FAN	$P_{f_{0.40}}$	24	28	33	34	48	55	54	69	88	109	135
	CC	$P_{c_{0.20}}$	43	45	47	44	51	53	117	169	228	247	277
280	---	$P_{t_{0.40}}$	41	46	53	63	78	91	82	103	122	159	186
	FAN	$P_{f_{0.40}}$	24	27	31	36	46	53	51	66	83	107	128
	CC	$P_{c_{0.20}}$	42	43	45	47	49	50	112	161	218	242	261
315	---	$P_{t_{0.40}}$	39	45	52	55	75	87	79	99	118	146	180
	FAN	$P_{f_{0.40}}$	23	26	30	32	44	50	50	64	81	100	123
	CC	$P_{c_{0.20}}$	40	42	44	41	47	48	108	155	211	226	252
355	---	$P_{t_{0.40}}$	38	43	52	58	73	83	76	96	113	143	174
	FAN	$P_{f_{0.40}}$	22	25	30	34	43	48	47	61	77	97	119
	CC	$P_{c_{0.20}}$	39	40	44	44	45	46	103	149	200	221	243
400	---	$P_{t_{0.40}}$	37	42	50	53	70	82	74	92	110	143	168
	FAN	$P_{f_{0.40}}$	21	25	29	31	41	47	46	59	75	97	115
	CC	$P_{c_{0.20}}$	38	40	42	40	44	45	100	143	194	221	235
450	---	$P_{t_{0.40}}$	---	41	---	57	---	79	---	---	---	---	---
	FAN	$P_{f_{0.40}}$	---	24	---	33	---	45	---	---	---	---	---
	CC	$P_{c_{0.20}}$	---	38	---	42	---	43	---	---	---	---	---

Thermal Ratings

# Thermal Rating M1/M3 Mounting - 1200 rpm @ 20°C = 68°F



Nom. Ratio	Cooling Type		SK 5407/ SK 5507	SK 6407/ SK 6507	SK 7407/ SK 7507	SK 8407/ SK 8507	SK 9407/ SK 9507	SK 10407/ SK 10507	SK 11407/ SK 11507	SK 12407/ SK 12507	SK 13407/ SK 13507	SK 14407/ SK 14507	SK 15407/ SK 15507
			Thermal Power										
			P <sub>N</sub> [HP]	P <sub>N</sub> [HP]	P <sub>N</sub> [HP]	P <sub>N</sub> [HP]	P <sub>N</sub> [HP]	P <sub>N</sub> [HP]	P <sub>N</sub> [HP]	P <sub>N</sub> [HP]	P <sub>N</sub> [HP]	P <sub>N</sub> [HP]	P <sub>N</sub> [HP]
12.5	---	P <sub>t0.20</sub>	---	---	---	---	---	---	238	197	316	---	176
	FAN	P <sub>f0.20</sub>	---	---	---	---	---	---	239	317	430	---	660
	CC	P <sub>c0.20</sub>	---	---	---	---	---	---	443	651	937	---	1,116
14	---	P <sub>t0.20</sub>	---	---	---	---	---	---	231	191	309	340	182
	FAN	P <sub>f0.20</sub>	---	---	---	---	---	---	229	299	411	473	626
	CC	P <sub>c0.20</sub>	---	---	---	---	---	---	423	614	896	907	1,059
16	---	P <sub>t0.20</sub>	---	---	---	---	---	---	242	221	347	337	308
	FAN	P <sub>f0.20</sub>	---	---	---	---	---	---	221	291	399	460	587
	CC	P <sub>c0.20</sub>	---	---	---	---	---	---	410	599	873	881	1,005
18	---	P <sub>t0.20</sub>	130	---	148	---	214	---	234	212	337	381	302
	FAN	P <sub>f0.20</sub>	83	---	109	---	164	---	211	274	381	425	557
	CC	P <sub>c0.20</sub>	124	---	133	---	147	---	391	565	835	818	955
20	---	P <sub>t0.20</sub>	125	147	145	157	205	246	238	229	359	406	366
	FAN	P <sub>f0.20</sub>	80	93	106	110	156	180	205	268	364	408	531
	CC	P <sub>c0.20</sub>	119	126	129	121	140	146	380	554	801	788	914
22.4	---	P <sub>t0.20</sub>	124	140	143	168	210	236	229	219	346	398	353
	FAN	P <sub>f0.20</sub>	79	88	103	118	154	172	196	253	348	396	504
	CC	P <sub>c0.20</sub>	117	120	125	129	139	139	363	522	766	765	869
25	---	P <sub>t0.20</sub>	119	140	140	151	201	241	227	227	350	405	391
	FAN	P <sub>f0.20</sub>	75	88	100	103	147	170	186	243	325	374	474
	CC	P <sub>c0.20</sub>	112	119	121	114	132	138	346	503	717	724	820
28	---	P <sub>t0.20</sub>	108	133	128	162	195	230	219	216	337	396	376
	FAN	P <sub>f0.20</sub>	66	83	86	111	131	162	178	230	311	363	451
	CC	P <sub>c0.20</sub>	98	113	105	122	118	131	330	475	686	703	780
31.5	---	P <sub>t0.20</sub>	104	121	125	135	187	221	217	228	375	388	494
	FAN	P <sub>f0.20</sub>	63	73	84	88	125	145	160	196	274	335	392
	CC	P <sub>c0.20</sub>	94	100	103	96	112	117	298	409	606	650	684
35.5	---	P <sub>t0.20</sub>	103	115	122	143	187	212	209	218	362	378	475
	FAN	P <sub>f0.20</sub>	63	70	82	93	124	138	153	187	263	326	375
	CC	P <sub>c0.20</sub>	93	95	100	103	111	112	285	389	583	632	654
40	---	P <sub>t0.20</sub>	99	115	119	128	179	212	204	217	351	419	473
	FAN	P <sub>f0.20</sub>	60	70	79	82	118	136	147	181	249	295	359
	CC	P <sub>c0.20</sub>	89	95	97	91	106	111	274	378	553	573	627
45	---	P <sub>t0.20</sub>	96	110	115	137	175	203	197	208	339	400	455
	FAN	P <sub>f0.20</sub>	58	66	76	88	115	130	141	172	240	275	344
	CC	P <sub>c0.20</sub>	86	90	93	97	103	105	263	359	532	536	600
50	---	P <sub>t0.20</sub>	92	107	112	121	168	198	185	218	254	390	436
	FAN	P <sub>f0.20</sub>	56	65	74	77	109	126	119	152	183	268	298
	CC	P <sub>c0.20</sub>	83	88	90	85	98	102	222	318	411	522	520
56	---	P <sub>t0.20</sub>	84	102	117	129	166	190	179	209	248	362	420
	FAN	P <sub>f0.20</sub>	50	61	70	82	100	120	115	145	177	234	286
	CC	P <sub>c0.20</sub>	74	84	85	90	90	97	214	304	398	457	500
63	---	P <sub>t0.20</sub>	81	93	114	121	159	186	174	205	240	354	411
	FAN	P <sub>f0.20</sub>	48	55	68	71	95	110	111	142	170	229	277
	CC	P <sub>c0.20</sub>	71	75	83	78	86	89	207	296	382	446	483
71	---	P <sub>t0.20</sub>	79	89	110	129	156	178	168	197	234	336	396
	FAN	P <sub>f0.20</sub>	46	53	65	75	93	105	107	135	165	216	266
	CC	P <sub>c0.20</sub>	69	72	80	83	84	85	200	283	370	421	464
80	---	P <sub>t0.20</sub>	76	88	107	113	149	174	135	168	195	328	297
	FAN	P <sub>f0.20</sub>	45	51	63	66	89	102	91	118	149	211	230
	CC	P <sub>c0.20</sub>	66	70	77	73	80	83	169	245	332	411	401
90	---	P <sub>t0.20</sub>	74	84	102	121	144	167	131	164	189	253	290
	FAN	P <sub>f0.20</sub>	44	49	60	70	86	98	87	114	142	188	222
	CC	P <sub>c0.20</sub>	65	67	74	77	77	79	162	236	317	364	387
100	---	P <sub>t0.20</sub>	71	83	99	105	138	161	127	158	184	241	281
	FAN	P <sub>f0.20</sub>	42	48	59	61	82	94	85	109	139	176	215
	CC	P <sub>c0.20</sub>	62	66	71	67	73	76	157	227	308	342	375

Thermal Ratings





Nom. Ratio	Cooling Type		SK 5407/ SK 5507	SK 6407/ SK 6507	SK 7407/ SK 7507	SK 8407/ SK 8507	SK 9407/ SK 9507	SK 10407/ SK 10507	SK 11407/ SK 11507	SK 12407/ SK 12507	SK 13407/ SK 13507	SK 14407/ SK 14507	SK 15407/ SK 15507
			Thermal Power										
$i_N$			$P_N$ [HP]	$P_N$ [HP]	$P_N$ [HP]	$P_N$ [HP]	$P_N$ [HP]	$P_N$ [HP]	$P_N$ [HP]	$P_N$ [HP]	$P_N$ [HP]	$P_N$ [HP]	$P_N$ [HP]
112	---	$P_{t0.20}$	60	79	79	112	120	154	129	162	186	236	288
	FAN	$P_{f0.20}$	36	46	47	65	72	90	85	110	137	173	213
	CC	$P_{c0.20}$	53	63	57	71	65	73	157	229	304	335	372
125	---	$P_{t0.20}$	59	67	77	82	115	134	125	155	181	234	279
	FAN	$P_{f0.20}$	35	40	46	48	69	79	82	106	133	168	206
	CC	$P_{c0.20}$	51	54	56	53	62	64	152	219	296	327	359
140	---	$P_{t0.20}$	57	65	74	87	111	129	120	151	173	229	270
	FAN	$P_{f0.20}$	34	38	44	51	66	76	78	102	126	165	199
	CC	$P_{c0.20}$	50	52	54	56	60	62	145	211	281	320	346
160	---	$P_{t0.20}$	55	63	72	77	107	124	117	145	169	216	261
	FAN	$P_{f0.20}$	33	37	43	45	64	73	76	98	123	154	192
	CC	$P_{c0.20}$	49	51	53	50	57	59	140	202	273	299	334
180	---	$P_{t0.20}$	54	61	72	82	105	119	114	143	166	212	256
	FAN	$P_{f0.20}$	32	36	43	48	62	70	74	95	119	151	184
	CC	$P_{c0.20}$	47	49	52	52	56	57	137	198	266	292	321
200	---	$P_{t0.20}$	52	60	70	75	101	117	110	137	162	207	247
	FAN	$P_{f0.20}$	31	35	42	44	60	69	71	92	116	146	178
	CC	$P_{c0.20}$	46	48	51	48	54	56	132	190	258	282	310
224	---	$P_{t0.20}$	53	57	69	79	102	113	106	133	155	203	239
	FAN	$P_{f0.20}$	31	34	41	46	61	66	68	88	110	142	171
	CC	$P_{c0.20}$	46	46	50	51	55	53	126	183	244	276	299
250	---	$P_{t0.20}$	51	58	67	72	98	115	103	128	151	191	231
	FAN	$P_{f0.20}$	30	34	40	42	59	67	66	85	107	133	165
	CC	$P_{c0.20}$	44	47	48	46	53	54	122	175	237	258	288
280	---	$P_{t0.20}$	49	56	64	76	94	110	98	122	143	187	219
	FAN	$P_{f0.20}$	29	33	38	44	56	64	62	81	101	130	155
	CC	$P_{c0.20}$	43	45	47	48	50	52	116	167	226	252	272
315	---	$P_{t0.20}$	48	55	63	67	90	105	95	118	140	172	211
	FAN	$P_{f0.20}$	28	32	37	39	54	61	60	77	99	121	150
	CC	$P_{c0.20}$	42	44	45	43	48	50	112	161	220	236	262
355	---	$P_{t0.20}$	46	53	63	71	89	101	91	114	134	169	204
	FAN	$P_{f0.20}$	27	31	37	41	52	59	58	74	94	119	145
	CC	$P_{c0.20}$	40	42	45	45	47	48	107	154	208	231	253
400	---	$P_{t0.20}$	45	51	61	65	85	99	88	110	130	169	198
	FAN	$P_{f0.20}$	26	30	36	38	50	57	56	71	91	119	140
	CC	$P_{c0.20}$	39	41	44	41	45	47	103	148	202	231	244
450	---	$P_{t0.20}$	---	49	---	69	---	95	---	---	---	---	---
	FAN	$P_{f0.20}$	---	29	---	40	---	55	---	---	---	---	---
	CC	$P_{c0.20}$	---	39	---	44	---	45	---	---	---	---	---

# Thermal Rating

## M1/M3 Mounting - 1200 rpm

### @ 40°C = 104°F



Nom. Ratio	Cooling Type		SK 5407/ SK 5507	SK 6407/ SK 6507	SK 7407/ SK 7507	SK 8407/ SK 8507	SK 9407/ SK 9507	SK 10407/ SK 10507	SK 11407/ SK 11507	SK 12407/ SK 12507	SK 13407/ SK 13507	SK 14407/ SK 14507	SK 15407/ SK 15507	
			Thermal Power											
			P <sub>N</sub> [HP]	P <sub>N</sub> [HP]	P <sub>N</sub> [HP]	P <sub>N</sub> [HP]	P <sub>N</sub> [HP]	P <sub>N</sub> [HP]	P <sub>N</sub> [HP]	P <sub>N</sub> [HP]	P <sub>N</sub> [HP]	P <sub>N</sub> [HP]	P <sub>N</sub> [HP]	P <sub>N</sub> [HP]
12.5	---	Pt <sub>0.40</sub>	---	---	---	---	---	---	---	178	116	205	---	*
	FAN	Pf <sub>0.40</sub>	---	---	---	---	---	---	---	209	281	384	---	604
	CC	Pc <sub>0.20</sub>	---	---	---	---	---	---	---	452	668	965	---	1,168
14	---	Pt <sub>0.40</sub>	---	---	---	---	---	---	---	174	114	204	217	*
	FAN	Pf <sub>0.40</sub>	---	---	---	---	---	---	---	200	265	367	424	588
	CC	Pc <sub>0.20</sub>	---	---	---	---	---	---	---	432	631	922	937	1,124
16	---	Pt <sub>0.40</sub>	---	---	---	---	---	---	---	187	149	247	218	149
	FAN	Pf <sub>0.40</sub>	---	---	---	---	---	---	---	193	256	354	412	535
	CC	Pc <sub>0.20</sub>	---	---	---	---	---	---	---	418	613	896	910	1,050
18	---	Pt <sub>0.40</sub>	110	---	122	---	174	---	---	181	144	241	273	151
	FAN	Pf <sub>0.40</sub>	72	---	95	---	142	---	---	184	242	338	377	508
	CC	Pc <sub>0.20</sub>	126	---	136	---	151	---	---	399	578	857	842	997
20	---	Pt <sub>0.40</sub>	105	124	119	130	167	202	---	188	163	268	304	229
	FAN	Pf <sub>0.40</sub>	69	80	92	95	135	157	---	178	235	322	361	475
	CC	Pc <sub>0.20</sub>	121	129	132	124	144	150	---	387	566	820	809	946
22.4	---	Pt <sub>0.40</sub>	105	118	118	139	173	194	---	181	156	259	298	224
	FAN	Pf <sub>0.40</sub>	68	76	89	102	134	149	---	170	222	307	350	452
	CC	Pc <sub>0.20</sub>	119	122	128	132	142	142	---	370	534	784	786	899
25	---	Pt <sub>0.40</sub>	101	119	116	126	165	199	---	181	167	270	312	272
	FAN	Pf <sub>0.40</sub>	65	76	86	89	128	148	---	162	213	286	330	421
	CC	Pc <sub>0.20</sub>	114	121	124	116	135	141	---	352	514	733	742	845
28	---	Pt <sub>0.40</sub>	92	113	107	135	164	190	---	175	160	260	306	263
	FAN	Pf <sub>0.40</sub>	57	72	75	96	113	140	---	155	201	274	320	401
	CC	Pc <sub>0.20</sub>	100	115	107	124	120	134	---	337	485	701	721	804
31.5	---	Pt <sub>0.40</sub>	88	103	105	113	157	186	---	178	180	308	305	399
	FAN	Pf <sub>0.40</sub>	55	63	73	76	108	125	---	138	170	239	295	344
	CC	Pc <sub>0.20</sub>	96	102	104	98	115	120	---	303	416	618	666	700
35.5	---	Pt <sub>0.40</sub>	87	98	103	121	157	178	---	172	173	298	298	384
	FAN	Pf <sub>0.40</sub>	54	60	70	81	107	119	---	133	162	230	287	329
	CC	Pc <sub>0.20</sub>	95	97	101	105	114	114	---	290	396	595	647	669
40	---	Pt <sub>0.40</sub>	84	98	100	108	151	179	---	168	173	291	346	386
	FAN	Pf <sub>0.40</sub>	52	60	68	71	102	118	---	127	157	218	258	315
	CC	Pc <sub>0.20</sub>	91	96	99	93	108	113	---	279	384	564	586	641
45	---	Pt <sub>0.40</sub>	82	94	97	115	148	171	---	162	166	281	333	371
	FAN	Pf <sub>0.40</sub>	50	57	66	76	99	113	---	122	150	209	241	301
	CC	Pc <sub>0.20</sub>	88	92	95	99	105	108	---	267	366	542	547	613
50	---	Pt <sub>0.40</sub>	79	92	95	102	142	168	---	156	181	211	325	364
	FAN	Pf <sub>0.40</sub>	48	56	64	66	95	109	---	103	131	158	234	260
	CC	Pc <sub>0.20</sub>	84	89	92	86	100	104	---	226	323	416	533	531
56	---	Pt <sub>0.40</sub>	72	87	100	109	142	160	---	151	174	205	305	351
	FAN	Pf <sub>0.40</sub>	43	53	60	71	86	104	---	99	126	153	205	250
	CC	Pc <sub>0.20</sub>	75	85	87	92	91	100	---	218	308	404	466	511
63	---	Pt <sub>0.40</sub>	69	80	98	104	136	159	---	147	172	200	298	344
	FAN	Pf <sub>0.40</sub>	41	48	59	61	82	95	---	96	122	147	200	242
	CC	Pc <sub>0.20</sub>	72	76	84	79	87	91	---	211	301	387	455	493
71	---	Pt <sub>0.40</sub>	67	77	94	111	133	153	---	143	165	194	283	331
	FAN	Pf <sub>0.40</sub>	40	45	56	65	80	91	---	92	117	142	188	232
	CC	Pc <sub>0.20</sub>	70	73	81	85	85	87	---	203	287	375	429	474
80	---	Pt <sub>0.40</sub>	65	75	92	97	128	149	---	113	140	159	277	241
	FAN	Pf <sub>0.40</sub>	38	44	55	57	77	89	---	79	102	130	184	202
	CC	Pc <sub>0.20</sub>	68	71	79	74	81	85	---	172	249	338	419	410
90	---	Pt <sub>0.40</sub>	63	72	87	104	123	143	---	109	137	154	207	236
	FAN	Pf <sub>0.40</sub>	38	42	52	61	74	85	---	76	99	124	165	195
	CC	Pc <sub>0.20</sub>	66	68	75	79	78	81	---	165	241	323	373	397
100	---	Pt <sub>0.40</sub>	61	71	85	90	118	138	---	106	132	150	197	228
	FAN	Pf <sub>0.40</sub>	36	42	51	53	71	82	---	73	95	121	155	189
	CC	Pc <sub>0.20</sub>	63	67	73	68	75	78	---	160	231	314	350	383

\* Additional Cooling Necessary - Consult Factory



Nom. Ratio	Cooling Type		SK 5407/ SK 5507	SK 6407/ SK 6507	SK 7407/ SK 7507	SK 8407/ SK 8507	SK 9407/ SK 9507	SK 10407/ SK 10507	SK 11407/ SK 11507	SK 12407/ SK 12507	SK 13407/ SK 13507	SK 14407/ SK 14507	SK 15407/ SK 15507
	$i_N$		Thermal Power										
			$P_N$ [HP]	$P_N$ [HP]	$P_N$ [HP]	$P_N$ [HP]	$P_N$ [HP]	$P_N$ [HP]	$P_N$ [HP]	$P_N$ [HP]	$P_N$ [HP]	$P_N$ [HP]	$P_N$ [HP]
112	---	$P_{t0.40}$	52	68	67	96	102	132	108	135	153	193	236
	FAN	$P_{f0.40}$	31	40	41	56	62	78	73	96	119	152	187
	CC	$P_{c0.20}$	54	64	59	73	66	74	160	233	310	343	380
125	---	$P_{t0.40}$	50	57	66	71	98	115	105	130	149	193	229
	FAN	$P_{f0.40}$	30	34	40	42	60	69	71	92	116	148	180
	CC	$P_{c0.20}$	52	55	57	54	64	66	155	223	301	334	367
140	---	$P_{t0.40}$	49	55	63	74	95	110	101	126	143	189	222
	FAN	$P_{f0.40}$	29	33	38	44	57	66	68	88	110	145	174
	CC	$P_{c0.20}$	51	53	55	57	61	63	148	215	286	327	354
160	---	$P_{t0.40}$	47	54	62	66	91	106	98	122	139	178	215
	FAN	$P_{f0.40}$	28	32	37	39	55	63	66	85	107	135	168
	CC	$P_{c0.20}$	49	52	53	51	59	60	143	206	278	306	342
180	---	$P_{t0.40}$	46	52	62	70	90	102	96	120	138	175	211
	FAN	$P_{f0.40}$	27	31	37	41	54	61	64	83	104	133	161
	CC	$P_{c0.20}$	48	50	53	53	57	58	139	202	270	299	328
200	---	$P_{t0.40}$	45	51	60	64	86	100	93	115	134	172	204
	FAN	$P_{f0.40}$	26	30	36	38	52	59	62	80	101	128	155
	CC	$P_{c0.20}$	46	49	52	49	55	57	135	194	263	289	317
224	---	$P_{t0.40}$	45	49	59	68	88	97	90	112	128	168	197
	FAN	$P_{f0.40}$	27	29	35	40	53	57	59	77	96	125	150
	CC	$P_{c0.20}$	47	47	51	52	56	55	128	186	249	283	305
250	---	$P_{t0.40}$	44	50	58	62	84	98	87	108	125	158	191
	FAN	$P_{f0.40}$	26	29	34	36	51	58	57	74	93	117	145
	CC	$P_{c0.20}$	45	47	49	47	54	56	124	179	242	264	295
280	---	$P_{t0.40}$	42	48	55	65	81	94	82	103	119	155	181
	FAN	$P_{f0.40}$	25	28	33	38	48	56	54	70	88	114	136
	CC	$P_{c0.20}$	44	45	47	49	51	53	118	170	230	258	277
315	---	$P_{t0.40}$	41	47	54	57	77	90	80	99	116	142	175
	FAN	$P_{f0.40}$	24	28	32	33	46	53	52	67	86	106	131
	CC	$P_{c0.20}$	42	44	46	43	49	51	114	164	223	241	268
355	---	$P_{t0.40}$	40	45	54	61	76	87	77	96	111	140	169
	FAN	$P_{f0.40}$	23	26	32	35	45	51	50	65	82	104	127
	CC	$P_{c0.20}$	41	43	46	46	48	49	109	157	212	236	259
400	---	$P_{t0.40}$	38	44	52	56	73	85	74	92	108	140	164
	FAN	$P_{f0.40}$	23	26	31	32	43	50	48	62	79	104	122
	CC	$P_{c0.20}$	40	42	45	42	46	48	105	151	206	236	250
450	---	$P_{t0.40}$	---	42	---	59	---	82	---	---	---	---	---
	FAN	$P_{f0.40}$	---	25	---	34	---	48	---	---	---	---	---
	CC	$P_{c0.20}$	---	40	---	45	---	46	---	---	---	---	---

# Thermal Rating

## M1/M3 Mounting - 1500 rpm

### @ 20°C = 68°F



Nom. Ratio	Cooling Type		SK 5407/ SK 5507	SK 6407/ SK 6507	SK 7407/ SK 7507	SK 8407/ SK 8507	SK 9407/ SK 9507	SK 10407/ SK 10507	SK 11407/ SK 11507	SK 12407/ SK 12507	SK 13407/ SK 13507	SK 14407/ SK 14507	SK 15407/ SK 15507	
			Thermal Power											
$i_n$			$P_N$ [HP]	$P_N$ [HP]	$P_N$ [HP]	$P_N$ [HP]	$P_N$ [HP]	$P_N$ [HP]	$P_N$ [HP]	$P_N$ [HP]	$P_N$ [HP]	$P_N$ [HP]	$P_N$ [HP]	
12.5	---	Pt <sub>0.20</sub>	---	---	---	---	---	---	---	162	16	83	---	*
	FAN	P <sub>f,20</sub>	---	---	---	---	---	---	---	262	372	512	---	450
	CC	P <sub>c,20</sub>	---	---	---	---	---	---	---	482	737	1,072	---	979
14	---	Pt <sub>0.20</sub>	---	---	---	---	---	---	---	160	23	93	70	*
	FAN	P <sub>f,20</sub>	---	---	---	---	---	---	---	251	351	487	572	450
	CC	P <sub>c,20</sub>	---	---	---	---	---	---	---	461	695	1,022	1,055	952
16	---	Pt <sub>0.20</sub>	---	---	---	---	---	---	---	186	90	180	82	0
	FAN	P <sub>f,20</sub>	---	---	---	---	---	---	---	240	328	455	553	625
	CC	P <sub>c,20</sub>	---	---	---	---	---	---	---	443	663	976	1,022	1,098
18	---	Pt <sub>0.20</sub>	130	---	138	---	192	---	---	181	90	180	204	*
	FAN	P <sub>f,20</sub>	89	---	117	---	177	---	---	230	310	435	486	607
	CC	P <sub>c,20</sub>	132	---	143	---	159	---	---	424	626	932	920	1,056
20	---	Pt <sub>0.20</sub>	125	148	135	149	185	227	---	194	126	234	264	53
	FAN	P <sub>f,20</sub>	85	99	114	118	168	194	---	222	298	409	460	643
	CC	P <sub>c,20</sub>	127	135	139	130	151	157	---	410	607	885	877	1,071
22.4	---	Pt <sub>0.20</sub>	125	141	135	159	194	218	---	187	122	229	262	60
	FAN	P <sub>f,20</sub>	84	94	110	126	166	185	---	212	282	391	447	611
	CC	P <sub>c,20</sub>	124	128	134	139	150	150	---	392	574	847	851	1,017
25	---	Pt <sub>0.20</sub>	120	142	132	145	186	227	---	193	145	259	297	174
	FAN	P <sub>f,20</sub>	80	93	107	111	158	183	---	201	268	361	417	546
	CC	P <sub>c,20</sub>	119	127	130	122	142	148	---	372	549	786	799	928
28	---	Pt <sub>0.20</sub>	110	135	126	155	192	217	---	186	140	251	292	171
	FAN	P <sub>f,20</sub>	70	88	92	118	140	174	---	193	253	345	405	520
	CC	P <sub>c,20</sub>	104	120	112	130	126	141	---	356	518	753	776	884
31.5	---	Pt <sub>0.20</sub>	106	124	123	134	184	219	---	201	191	346	306	426
	FAN	P <sub>f,20</sub>	67	78	89	93	134	154	---	171	211	297	371	429
	CC	P <sub>c,20</sub>	100	106	109	103	120	125	---	317	438	655	714	745
35.5	---	Pt <sub>0.20</sub>	106	119	121	143	185	211	---	195	184	335	300	411
	FAN	P <sub>f,20</sub>	67	74	87	99	132	147	---	164	201	286	361	411
	CC	P <sub>c,20</sub>	99	101	106	109	119	119	---	305	417	630	694	713
40	---	Pt <sub>0.20</sub>	102	119	118	128	178	212	---	192	187	331	393	424
	FAN	P <sub>f,20</sub>	64	74	84	88	126	146	---	157	195	270	320	391
	CC	P <sub>c,20</sub>	95	101	103	97	113	118	---	292	404	596	621	680
45	---	Pt <sub>0.20</sub>	99	113	114	136	175	203	---	185	179	320	382	408
	FAN	P <sub>f,20</sub>	62	70	81	94	122	139	---	151	185	260	298	375
	CC	P <sub>c,20</sub>	92	96	99	103	110	112	---	281	385	574	579	651
50	---	Pt <sub>0.20</sub>	95	111	112	121	168	199	---	186	211	243	373	419
	FAN	P <sub>f,20</sub>	59	69	79	82	117	135	---	126	161	194	290	322
	CC	P <sub>c,20</sub>	88	93	96	90	105	109	---	236	337	435	564	561
56	---	Pt <sub>0.20</sub>	87	106	122	129	172	191	---	180	203	237	358	404
	FAN	P <sub>f,20</sub>	53	65	75	87	106	129	---	122	154	188	253	310
	CC	P <sub>c,20</sub>	78	89	91	96	96	104	---	227	322	422	492	540
63	---	Pt <sub>0.20</sub>	84	97	118	126	165	194	---	175	200	231	350	399
	FAN	P <sub>f,20</sub>	51	59	73	75	102	117	---	118	150	180	247	299
	CC	P <sub>c,20</sub>	76	80	88	83	91	95	---	220	315	405	481	521
71	---	Pt <sub>0.20</sub>	82	93	114	135	162	186	---	170	192	226	334	384
	FAN	P <sub>f,20</sub>	49	56	70	80	99	112	---	114	144	175	233	287
	CC	P <sub>c,20</sub>	73	76	85	89	89	91	---	212	301	392	453	501
80	---	Pt <sub>0.20</sub>	79	91	111	119	155	182	---	131	160	176	327	261
	FAN	P <sub>f,20</sub>	47	55	68	70	95	109	---	97	126	160	227	252
	CC	P <sub>c,20</sub>	71	74	83	77	85	88	---	181	262	356	442	437
90	---	Pt <sub>0.20</sub>	77	88	106	126	150	174	---	127	157	172	229	257
	FAN	P <sub>f,20</sub>	46	52	64	75	91	104	---	93	122	153	206	243
	CC	P <sub>c,20</sub>	69	71	78	83	82	84	---	173	253	340	397	422
100	---	Pt <sub>0.20</sub>	75	86	103	110	144	168	---	124	152	167	218	249
	FAN	P <sub>f,20</sub>	45	51	62	65	87	100	---	91	117	149	193	235
	CC	P <sub>c,20</sub>	66	70	76	71	78	81	---	168	244	331	373	408

\* Additional Cooling Necessary - Consult Factory



Nom. Ratio	Cooling Type		SK 5407/ SK 5507	SK 6407/ SK 6507	SK 7407/ SK 7507	SK 8407/ SK 8507	SK 9407/ SK 9507	SK 10407/ SK 10507	SK 11407/ SK 11507	SK 12407/ SK 12507	SK 13407/ SK 13507	SK 14407/ SK 14507	SK 15407/ SK 15507
			Thermal Power										
$i_N$			$P_N$ [HP]	$P_N$ [HP]	$P_N$ [HP]	$P_N$ [HP]	$P_N$ [HP]	$P_N$ [HP]	$P_N$ [HP]	$P_N$ [HP]	$P_N$ [HP]	$P_N$ [HP]	$P_N$ [HP]
112	---	$P_{t0.20}$	63	83	82	117	123	161	126	157	172	214	263
	FAN	$P_{f0.20}$	38	49	50	69	77	96	90	118	147	190	232
	CC	$P_{c0.20}$	57	67	61	76	69	78	168	244	326	366	404
125	---	$P_{t0.20}$	61	70	80	86	119	139	123	151	168	216	254
	FAN	$P_{f0.20}$	37	42	49	51	74	85	87	113	143	184	224
	CC	$P_{c0.20}$	55	57	60	57	67	69	162	235	317	355	390
140	---	$P_{t0.20}$	59	67	77	90	115	133	118	147	162	212	247
	FAN	$P_{f0.20}$	36	40	47	54	71	81	84	109	136	180	216
	CC	$P_{c0.20}$	53	55	57	60	64	66	155	226	301	348	376
160	---	$P_{t0.20}$	58	66	75	81	110	129	115	141	157	200	239
	FAN	$P_{f0.20}$	35	40	46	48	68	78	81	105	132	168	209
	CC	$P_{c0.20}$	52	54	56	53	61	63	150	217	293	325	363
180	---	$P_{t0.20}$	56	64	75	85	108	124	113	140	157	196	238
	FAN	$P_{f0.20}$	34	38	46	51	67	75	79	102	128	165	200
	CC	$P_{c0.20}$	50	52	56	56	60	61	146	212	285	318	348
200	---	$P_{t0.20}$	54	62	73	78	104	122	110	135	153	194	230
	FAN	$P_{f0.20}$	33	37	45	47	64	73	76	98	125	159	193
	CC	$P_{c0.20}$	49	51	54	51	58	59	141	204	277	307	336
224	---	$P_{t0.20}$	55	60	72	83	106	117	106	131	146	191	223
	FAN	$P_{f0.20}$	33	36	44	49	65	70	73	95	118	156	186
	CC	$P_{c0.20}$	49	49	53	54	59	57	135	196	262	301	324
250	---	$P_{t0.20}$	53	61	70	75	102	119	102	126	143	179	215
	FAN	$P_{f0.20}$	32	36	42	44	63	72	70	91	115	145	180
	CC	$P_{c0.20}$	47	50	52	49	56	58	130	188	255	280	313
280	---	$P_{t0.20}$	52	59	67	79	98	114	97	120	136	176	205
	FAN	$P_{f0.20}$	31	35	41	47	60	69	67	86	109	142	169
	CC	$P_{c0.20}$	46	47	50	52	54	56	124	179	242	275	294
315	---	$P_{t0.20}$	50	57	66	70	94	110	94	116	133	162	199
	FAN	$P_{f0.20}$	30	34	40	41	57	66	65	83	106	132	163
	CC	$P_{c0.20}$	44	47	48	45	51	53	120	172	236	256	284
355	---	$P_{t0.20}$	48	55	65	74	92	105	91	113	127	158	193
	FAN	$P_{f0.20}$	29	33	40	44	56	63	62	80	101	129	157
	CC	$P_{c0.20}$	43	45	48	48	50	51	114	165	223	251	274
400	---	$P_{t0.20}$	47	54	64	68	88	103	88	108	124	158	186
	FAN	$P_{f0.20}$	28	32	38	40	54	61	60	77	98	129	152
	CC	$P_{c0.20}$	41	44	47	44	48	50	111	159	217	251	264
450	---	$P_{t0.20}$	---	52	---	72	---	99	---	---	---	---	---
	FAN	$P_{f0.20}$	---	31	---	43	---	59	---	---	---	---	---
	CC	$P_{c0.20}$	---	42	---	47	---	48	---	---	---	---	---

# Thermal Rating M1/M3 Mounting - 1500 rpm @ 40°C = 104°F



Nom. Ratio	Cooling Type		SK 5407/ SK 5507	SK 6407/ SK 6507	SK 7407/ SK 7507	SK 8407/ SK 8507	SK 9407/ SK 9507	SK 10407/ SK 10507	SK 11407/ SK 11507	SK 12407/ SK 12507	SK 13407/ SK 13507	SK 14407/ SK 14507	SK 15407/ SK 15507
			Thermal Power										
$i_n$			$P_N$ [HP]	$P_N$ [HP]	$P_N$ [HP]	$P_N$ [HP]	$P_N$ [HP]	$P_N$ [HP]	$P_N$ [HP]	$P_N$ [HP]	$P_N$ [HP]	$P_N$ [HP]	$P_N$ [HP]
12.5	---	$P_{t0.40}$	---	---	---	---	---	---	93	*	*	---	*
	FAN	$P_{f0.40}$	---	---	---	---	---	---	234	258	418	---	149
	CC	$P_{c0.20}$	---	---	---	---	---	---	497	684	1,065	---	838
14	---	$P_{t0.40}$	---	---	---	---	---	---	94	*	*	*	*
	FAN	$P_{f0.40}$	---	---	---	---	---	---	223	251	410	445	168
	CC	$P_{c0.20}$	---	---	---	---	---	---	475	654	1,029	1,023	818
16	---	$P_{t0.40}$	---	---	---	---	---	---	125	*	47	*	*
	FAN	$P_{f0.40}$	---	---	---	---	---	---	211	300	426	444	379
	CC	$P_{c0.20}$	---	---	---	---	---	---	454	690	1,025	1,005	970
18	---	$P_{t0.40}$	108	---	109	---	149	---	122	1	53	62	*
	FAN	$P_{f0.40}$	77	---	102	---	154	---	202	287	406	455	373
	CC	$P_{c0.20}$	135	---	146	---	163	---	434	655	978	970	935
20	---	$P_{t0.40}$	104	123	107	120	144	179	138	44	126	140	0
	FAN	$P_{f0.40}$	74	86	99	102	147	169	194	271	369	418	477
	CC	$P_{c0.20}$	129	137	142	133	155	162	419	630	916	912	1,008
22.4	---	$P_{t0.40}$	104	118	108	128	153	172	134	45	125	141	*
	FAN	$P_{f0.40}$	72	81	95	109	145	161	186	256	353	406	462
	CC	$P_{c0.20}$	127	130	137	142	153	154	401	596	876	886	967
25	---	$P_{t0.40}$	100	119	106	118	148	182	143	76	166	189	9
	FAN	$P_{f0.40}$	69	81	93	96	138	159	176	239	322	374	518
	CC	$P_{c0.20}$	122	129	133	124	146	152	381	565	809	826	989
28	---	$P_{t0.40}$	93	113	104	126	158	174	138	74	162	187	15
	FAN	$P_{f0.40}$	60	76	79	103	121	151	169	227	308	363	492
	CC	$P_{c0.20}$	106	123	114	133	128	145	364	534	775	802	941
31.5	---	$P_{t0.40}$	90	105	101	111	152	182	160	139	273	212	320
	FAN	$P_{f0.40}$	58	67	77	81	116	134	148	184	261	330	379
	CC	$P_{c0.20}$	102	108	111	105	123	128	323	446	670	735	765
35.5	---	$P_{t0.40}$	89	101	100	118	154	175	155	134	264	208	309
	FAN	$P_{f0.40}$	57	64	75	86	114	128	142	175	251	321	363
	CC	$P_{c0.20}$	101	103	108	111	121	122	310	425	644	715	732
40	---	$P_{t0.40}$	86	101	98	107	147	176	153	139	265	314	327
	FAN	$P_{f0.40}$	55	64	73	76	109	126	136	170	236	281	345
	CC	$P_{c0.20}$	97	103	105	99	116	120	298	412	609	635	697
45	---	$P_{t0.40}$	84	96	95	114	146	169	148	134	256	308	315
	FAN	$P_{f0.40}$	53	61	70	81	106	120	131	162	228	261	330
	CC	$P_{c0.20}$	93	98	101	105	112	115	286	392	586	592	668
50	---	$P_{t0.40}$	81	94	93	101	140	167	155	172	197	302	340
	FAN	$P_{f0.40}$	51	59	68	71	101	117	109	140	168	255	282
	CC	$P_{c0.20}$	90	95	98	92	107	112	239	343	441	577	574
56	---	$P_{t0.40}$	74	90	104	108	147	160	150	165	192	296	329
	FAN	$P_{f0.40}$	45	56	64	76	92	111	105	134	163	221	272
	CC	$P_{c0.20}$	80	90	93	98	97	106	231	327	428	503	552
63	---	$P_{t0.40}$	72	83	101	108	141	165	147	164	189	290	326
	FAN	$P_{f0.40}$	44	50	63	65	88	101	102	130	156	216	262
	CC	$P_{c0.20}$	77	81	90	85	93	97	223	319	411	491	533
71	---	$P_{t0.40}$	70	80	97	115	138	158	142	158	184	277	314
	FAN	$P_{f0.40}$	42	48	60	70	86	97	98	125	151	203	251
	CC	$P_{c0.20}$	74	77	87	90	91	93	215	305	398	463	512
80	---	$P_{t0.40}$	68	78	95	101	132	155	107	130	138	271	198
	FAN	$P_{f0.40}$	41	47	59	61	82	94	85	110	140	199	223
	CC	$P_{c0.20}$	72	76	84	79	87	90	184	267	363	452	449
90	---	$P_{t0.40}$	66	75	90	108	128	149	104	127	134	178	196
	FAN	$P_{f0.40}$	40	45	56	65	79	90	81	106	134	182	215
	CC	$P_{c0.20}$	70	72	80	84	84	86	177	258	347	408	434
100	---	$P_{t0.40}$	64	74	88	94	123	144	102	123	131	170	190
	FAN	$P_{f0.40}$	38	44	54	56	75	87	79	102	131	171	208
	CC	$P_{c0.20}$	67	71	78	73	80	83	171	248	338	383	420

\* Additional Cooling Necessary - Consult Factory



Nom. Ratio	Cooling Type		SK 5407/ SK 5507	SK 6407/ SK 6507	SK 7407/ SK 7507	SK 8407/ SK 8507	SK 9407/ SK 9507	SK 10407/ SK 10507	SK 11407/ SK 11507	SK 12407/ SK 12507	SK 13407/ SK 13507	SK 14407/ SK 14507	SK 15407/ SK 15507
			Thermal Power										
$i_N$			$P_N$ [HP]	$P_N$ [HP]	$P_N$ [HP]	$P_N$ [HP]	$P_N$ [HP]	$P_N$ [HP]	$P_N$ [HP]	$P_N$ [HP]	$P_N$ [HP]	$P_N$ [HP]	$P_N$ [HP]
112	---	$P_{t0.40}$	54	71	70	100	105	138	104	128	136	167	205
	FAN	$P_{f0.40}$	33	42	43	60	67	83	78	102	128	168	204
	CC	$P_{c0.20}$	58	68	62	78	71	79	171	249	332	376	414
125	---	$P_{t0.40}$	52	60	68	73	101	118	101	123	133	170	199
	FAN	$P_{f0.40}$	32	36	42	44	64	73	76	98	125	162	198
	CC	$P_{c0.20}$	56	58	61	58	68	70	165	239	323	365	400
140	---	$P_{t0.40}$	51	58	66	77	97	114	98	120	129	167	194
	FAN	$P_{f0.40}$	31	35	41	47	61	70	73	95	119	159	191
	CC	$P_{c0.20}$	54	56	59	61	65	67	158	230	307	357	386
160	---	$P_{t0.40}$	49	57	64	69	94	110	95	116	125	158	188
	FAN	$P_{f0.40}$	30	34	40	42	59	68	70	91	115	149	184
	CC	$P_{c0.20}$	53	55	57	54	63	65	153	221	299	334	372
180	---	$P_{t0.40}$	48	54	64	73	92	105	94	115	126	155	189
	FAN	$P_{f0.40}$	29	33	40	44	58	65	68	89	112	146	176
	CC	$P_{c0.20}$	51	53	57	57	61	62	149	216	290	327	356
200	---	$P_{t0.40}$	46	53	62	67	89	104	91	111	122	155	182
	FAN	$P_{f0.40}$	28	32	39	40	56	64	66	85	109	140	170
	CC	$P_{c0.20}$	49	52	55	52	59	61	144	208	282	315	344
224	---	$P_{t0.40}$	47	51	61	71	91	100	88	108	118	152	177
	FAN	$P_{f0.40}$	28	31	38	43	57	61	63	82	104	137	164
	CC	$P_{c0.20}$	50	50	54	55	60	58	137	200	268	308	332
250	---	$P_{t0.40}$	45	52	60	64	87	102	85	104	115	143	171
	FAN	$P_{f0.40}$	27	31	37	38	54	62	61	79	101	128	158
	CC	$P_{c0.20}$	48	50	53	50	58	59	133	192	260	288	320
280	---	$P_{t0.40}$	44	50	57	68	83	98	81	100	110	140	164
	FAN	$P_{f0.40}$	27	30	35	41	52	60	58	75	95	126	148
	CC	$P_{c0.20}$	47	48	51	53	55	57	126	183	247	282	301
315	---	$P_{t0.40}$	43	49	56	60	80	94	79	96	107	129	159
	FAN	$P_{f0.40}$	26	30	34	36	50	57	56	72	93	116	143
	CC	$P_{c0.20}$	45	47	49	46	53	54	122	175	240	262	290
355	---	$P_{t0.40}$	41	47	56	63	79	90	76	93	103	126	154
	FAN	$P_{f0.40}$	25	28	34	38	48	55	54	70	88	114	138
	CC	$P_{c0.20}$	44	45	49	49	51	52	116	169	228	257	280
400	---	$P_{t0.40}$	40	46	54	58	75	88	73	90	100	126	149
	FAN	$P_{f0.40}$	24	28	33	35	47	53	52	67	86	114	133
	CC	$P_{c0.20}$	42	44	48	45	49	51	113	162	222	257	271
450	---	$P_{t0.40}$	---	44	---	62	---	85	---	---	---	---	---
	FAN	$P_{f0.40}$	---	26	---	37	---	51	---	---	---	---	---
	CC	$P_{c0.20}$	---	42	---	48	---	49	---	---	---	---	---

Thermal Ratings

# Thermal Rating M1/M3 Mounting - 1800 rpm @ 20°C = 68°F



Nom. Ratio	Cooling Type		SK 5407/ SK 5507	SK 6407/ SK 6507	SK 7407/ SK 7507	SK 8407/ SK 8507	SK 9407/ SK 9507	SK 10407/ SK 10507	SK 11407/ SK 11507	SK 12407/ SK 12507	SK 13407/ SK 13507	SK 14407/ SK 14507	SK 15407/ SK 15507
			Thermal Power										P <sub>N</sub>
i <sub>n</sub>			P <sub>N</sub>	P <sub>N</sub>	P <sub>N</sub>	P <sub>N</sub>	P <sub>N</sub>	P <sub>N</sub>	P <sub>N</sub>	P <sub>N</sub>	P <sub>N</sub>	P <sub>N</sub>	P <sub>N</sub>
			[HP]	[HP]	[HP]	[HP]	[HP]	[HP]	[HP]	[HP]	[HP]	[HP]	[HP]
12.5	---	Pt <sub>0.20</sub>	---	---	---	---	---	---	44	*	*	---	*
	FAN	Pf <sub>20</sub>	---	---	---	---	---	---	297	202	357	---	*
	CC	Pc <sub>20</sub>	---	---	---	---	---	---	534	605	984	---	482
14	---	Pt <sub>0.20</sub>	---	---	---	---	---	---	49	*	*	*	*
	FAN	Pf <sub>20</sub>	---	---	---	---	---	---	284	201	358	368	*
	CC	Pc <sub>20</sub>	---	---	---	---	---	---	510	582	956	916	490
16	---	Pt <sub>0.20</sub>	---	---	---	---	---	---	101	*	*	*	*
	FAN	Pf <sub>20</sub>	---	---	---	---	---	---	264	278	457	375	182
	CC	Pc <sub>20</sub>	---	---	---	---	---	---	481	643	1,030	905	752
18	---	Pt <sub>0.20</sub>	126	---	120	---	158	---	101	*	*	*	*
	FAN	Pf <sub>20</sub>	94	---	125	---	189	---	253	270	447	504	196
	CC	Pc <sub>20</sub>	140	---	152	---	170	---	460	615	995	985	734
20	---	Pt <sub>0.20</sub>	121	145	118	135	153	194	128	*	24	22	*
	FAN	Pf <sub>20</sub>	90	105	121	125	181	208	241	313	487	553	381
	CC	Pc <sub>20</sub>	134	142	147	138	163	169	441	648	1,006	1,010	868
22.4	---	Pt <sub>0.20</sub>	122	138	121	144	167	188	125	*	31	29	*
	FAN	Pf <sub>20</sub>	89	99	117	134	178	198	230	300	464	535	374
	CC	Pc <sub>20</sub>	131	135	142	147	160	161	422	617	961	979	838
25	---	Pt <sub>0.20</sub>	118	140	118	134	161	202	141	19	115	124	*
	FAN	Pf <sub>20</sub>	85	99	114	118	169	195	217	307	408	477	490
	CC	Pc <sub>20</sub>	126	134	138	129	152	158	399	610	869	894	916
28	---	Pt <sub>0.20</sub>	111	134	120	143	183	194	137	20	114	125	*
	FAN	Pf <sub>20</sub>	74	93	97	126	148	186	208	291	391	463	475
	CC	Pc <sub>20</sub>	110	127	118	138	133	151	382	577	832	868	880
31.5	---	Pt <sub>0.20</sub>	107	126	118	130	176	212	176	138	296	179	318
	FAN	Pf <sub>20</sub>	71	82	94	98	141	163	181	226	321	414	470
	CC	Pc <sub>20</sub>	106	112	115	108	127	132	336	466	703	786	808
35.5	---	Pt <sub>0.20</sub>	107	120	116	138	179	204	171	134	288	176	309
	FAN	Pf <sub>20</sub>	70	78	91	105	140	156	174	215	308	403	449
	CC	Pc <sub>20</sub>	104	106	111	115	125	126	323	444	676	764	774
40	---	Pt <sub>0.20</sub>	103	120	114	125	172	206	171	143	294	347	343
	FAN	Pf <sub>20</sub>	67	78	89	93	133	154	167	208	290	345	425
	CC	Pc <sub>20</sub>	100	106	109	102	120	125	309	430	638	666	734
45	---	Pt <sub>0.20</sub>	100	115	111	133	170	198	166	138	284	346	331
	FAN	Pf <sub>20</sub>	65	74	85	99	129	147	160	198	279	320	407
	CC	Pc <sub>20</sub>	97	101	104	109	116	119	297	409	614	620	703
50	---	Pt <sub>0.20</sub>	97	113	108	119	163	196	182	197	224	339	384
	FAN	Pf <sub>20</sub>	62	72	83	86	123	142	133	170	203	312	345
	CC	Pc <sub>20</sub>	93	98	101	95	111	115	247	355	456	604	600
56	---	Pt <sub>0.20</sub>	90	108	124	126	176	188	177	190	219	342	371
	FAN	Pf <sub>20</sub>	55	69	79	92	112	136	128	163	198	270	332
	CC	Pc <sub>20</sub>	82	93	96	101	101	110	239	339	443	525	577
63	---	Pt <sub>0.20</sub>	87	100	121	130	169	198	173	189	216	335	371
	FAN	Pf <sub>20</sub>	53	61	76	80	107	123	124	158	190	264	320
	CC	Pc <sub>20</sub>	79	84	93	88	96	100	231	331	425	512	556
71	---	Pt <sub>0.20</sub>	84	96	117	138	166	190	168	182	210	322	358
	FAN	Pf <sub>20</sub>	52	59	73	85	104	118	119	152	184	248	308
	CC	Pc <sub>20</sub>	77	80	90	93	94	96	223	316	412	483	535
80	---	Pt <sub>0.20</sub>	81	94	114	122	159	187	123	146	147	315	202
	FAN	Pf <sub>20</sub>	50	57	71	74	100	115	103	134	172	242	276
	CC	Pc <sub>20</sub>	74	78	87	82	90	93	191	278	379	471	474
90	---	Pt <sub>0.20</sub>	80	90	109	130	154	179	120	144	145	188	202
	FAN	Pf <sub>20</sub>	49	55	68	79	96	110	99	130	164	225	266
	CC	Pc <sub>20</sub>	72	75	83	87	86	89	183	269	363	430	458
100	---	Pt <sub>0.20</sub>	77	89	106	113	148	173	117	139	141	181	196
	FAN	Pf <sub>20</sub>	47	54	66	69	92	106	96	125	160	211	257
	CC	Pc <sub>20</sub>	70	74	80	75	83	86	178	259	353	404	443

\* Additional Cooling Necessary - Consult Factory





Nom. Ratio	Cooling Type		SK 5407/ SK 5507	SK 6407/ SK 6507	SK 7407/ SK 7507	SK 8407/ SK 8507	SK 9407/ SK 9507	SK 10407/ SK 10507	SK 11407/ SK 11507	SK 12407/ SK 12507	SK 13407/ SK 13507	SK 14407/ SK 14507	SK 15407/ SK 15507
	$i_N$		Thermal Power										
			$P_N$ [HP]	$P_N$ [HP]	$P_N$ [HP]	$P_N$ [HP]	$P_N$ [HP]	$P_N$ [HP]	$P_N$ [HP]	$P_N$ [HP]	$P_N$ [HP]	$P_N$ [HP]	$P_N$ [HP]
112	---	$P_{t0.20}$	65	85	84	121	125	166	121	146	150	178	220
	FAN	$P_{f0.20}$	40	52	53	73	81	101	96	125	157	207	252
	CC	$P_{c0.20}$	60	70	65	80	73	82	177	259	347	396	435
125	---	$P_{t0.20}$	63	72	82	88	121	141	117	141	147	185	213
	FAN	$P_{f0.20}$	39	44	52	54	78	89	93	120	152	200	243
	CC	$P_{c0.20}$	58	60	63	60	70	72	172	249	337	384	421
140	---	$P_{t0.20}$	61	69	79	93	116	136	113	138	142	181	208
	FAN	$P_{f0.20}$	38	43	50	57	75	86	89	116	145	196	235
	CC	$P_{c0.20}$	56	58	61	63	67	70	164	240	321	376	406
160	---	$P_{t0.20}$	59	68	77	83	112	131	110	132	138	172	201
	FAN	$P_{f0.20}$	37	42	48	51	72	82	86	111	141	183	227
	CC	$P_{c0.20}$	54	57	59	56	65	67	159	230	312	352	392
180	---	$P_{t0.20}$	58	66	77	87	110	126	109	133	140	169	206
	FAN	$P_{f0.20}$	36	40	48	54	71	79	83	109	137	179	216
	CC	$P_{c0.20}$	53	55	59	59	63	64	154	225	303	344	374
200	---	$P_{t0.20}$	56	64	75	81	106	124	106	128	136	171	200
	FAN	$P_{f0.20}$	34	39	47	49	68	78	81	104	133	172	209
	CC	$P_{c0.20}$	51	54	57	54	61	63	149	216	294	331	361
224	---	$P_{t0.20}$	57	62	74	85	108	120	102	124	131	167	194
	FAN	$P_{f0.20}$	35	38	46	52	69	74	77	100	127	169	201
	CC	$P_{c0.20}$	51	51	56	57	62	60	143	208	279	324	348
250	---	$P_{t0.20}$	55	63	72	77	104	122	99	120	128	158	187
	FAN	$P_{f0.20}$	33	38	45	47	66	76	75	97	123	158	194
	CC	$P_{c0.20}$	50	52	54	51	60	61	138	200	272	303	336
280	---	$P_{t0.20}$	53	61	69	82	100	117	95	115	123	155	182
	FAN	$P_{f0.20}$	32	37	43	49	63	73	71	92	116	154	181
	CC	$P_{c0.20}$	48	50	52	54	57	59	131	190	257	297	315
315	---	$P_{t0.20}$	51	59	67	72	96	112	92	111	120	142	176
	FAN	$P_{f0.20}$	31	36	42	44	61	69	68	88	113	143	175
	CC	$P_{c0.20}$	47	49	51	48	54	56	127	182	250	275	304
355	---	$P_{t0.20}$	50	57	67	76	94	108	89	108	115	140	171
	FAN	$P_{f0.20}$	30	34	42	46	59	67	65	85	108	140	169
	CC	$P_{c0.20}$	45	47	51	51	53	54	121	176	238	270	294
400	---	$P_{t0.20}$	48	56	65	70	90	106	86	104	112	140	165
	FAN	$P_{f0.20}$	29	34	40	42	57	65	63	82	105	140	164
	CC	$P_{c0.20}$	44	46	49	46	51	53	117	169	231	270	284
450	---	$P_{t0.20}$	---	53	---	74	---	102	---	---	---	---	---
	FAN	$P_{f0.20}$	---	32	---	45	---	62	---	---	---	---	---
	CC	$P_{c0.20}$	---	44	---	49	---	50	---	---	---	---	---

# Thermal Rating M1/M3 Mounting - 1800 rpm @ 40°C = 104°F



Nom. Ratio	Cooling Type		SK 5407/ SK 5507	SK 6407/ SK 6507	SK 7407/ SK 7507	SK 8407/ SK 8507	SK 9407/ SK 9507	SK 10407/ SK 10507	SK 11407/ SK 11507	SK 12407/ SK 12507	SK 13407/ SK 13507	SK 14407/ SK 14507	SK 15407/ SK 15507
			Thermal Power										
$i_n$			$P_N$ [HP]	$P_N$ [HP]	$P_N$ [HP]	$P_N$ [HP]	$P_N$ [HP]	$P_N$ [HP]	$P_N$ [HP]	$P_N$ [HP]	$P_N$ [HP]	$P_N$ [HP]	$P_N$ [HP]
12.5	---	Pt <sub>0.40</sub>	---	---	---	---	---	---	*	*	*	---	*
	FAN	Pf <sub>0.40</sub>	---	---	---	---	---	---	235	42	139	---	*
	CC	Pc <sub>0.20</sub>	---	---	---	---	---	---	520	531	885	---	305
14	---	Pt <sub>0.40</sub>	---	---	---	---	---	---	*	*	*	*	*
	FAN	Pf <sub>0.40</sub>	---	---	---	---	---	---	231	50	152	119	*
	CC	Pc <sub>0.20</sub>	---	---	---	---	---	---	504	512	861	802	324
16	---	Pt <sub>0.40</sub>	---	---	---	---	---	---	27	*	*	*	*
	FAN	Pf <sub>0.40</sub>	---	---	---	---	---	---	241	144	270	136	*
	CC	Pc <sub>0.20</sub>	---	---	---	---	---	---	502	575	938	796	605
18	---	Pt <sub>0.40</sub>	103	---	89	---	111	---	30	*	*	*	*
	FAN	Pf <sub>0.40</sub>	81	---	109	---	166	---	230	143	269	304	*
	CC	Pc <sub>0.20</sub>	142	---	155	---	176	---	480	550	908	884	595
20	---	Pt <sub>0.40</sub>	99	119	88	103	108	142	63	*	*	*	*
	FAN	Pf <sub>0.40</sub>	78	91	106	109	159	182	216	192	346	388	100
	CC	Pc <sub>0.20</sub>	136	145	151	141	168	174	457	585	947	935	738
22.4	---	Pt <sub>0.40</sub>	100	114	92	110	123	138	63	*	*	*	*
	FAN	Pf <sub>0.40</sub>	77	86	102	117	156	173	207	186	337	383	109
	CC	Pc <sub>0.20</sub>	134	138	146	151	165	166	437	557	912	915	714
25	---	Pt <sub>0.40</sub>	97	116	90	104	119	153	85	*	*	*	*
	FAN	Pf <sub>0.40</sub>	73	85	99	102	148	171	193	218	378	433	266
	CC	Pc <sub>0.20</sub>	128	137	142	132	157	163	411	572	909	929	801
28	---	Pt <sub>0.40</sub>	93	111	97	112	147	148	83	*	*	*	*
	FAN	Pf <sub>0.40</sub>	64	81	84	109	128	162	185	210	367	425	261
	CC	Pc <sub>0.20</sub>	112	130	120	142	136	155	394	544	875	907	771
31.5	---	Pt <sub>0.40</sub>	90	106	95	106	142	172	132	81	216	60	197
	FAN	Pf <sub>0.40</sub>	61	71	82	85	123	141	158	199	284	384	421
	CC	Pc <sub>0.20</sub>	107	114	117	110	130	135	343	477	721	826	837
35.5	---	Pt <sub>0.40</sub>	90	101	94	112	145	166	128	79	210	61	194
	FAN	Pf <sub>0.40</sub>	60	67	79	90	121	135	152	190	273	373	403
	CC	Pc <sub>0.20</sub>	106	108	114	117	128	129	329	455	693	802	801
40	---	Pt <sub>0.40</sub>	87	102	92	102	139	169	130	91	222	260	235
	FAN	Pf <sub>0.40</sub>	58	67	77	80	116	133	145	183	256	305	378
	CC	Pc <sub>0.20</sub>	102	108	111	104	123	127	315	439	653	684	757
45	---	Pt <sub>0.40</sub>	84	97	90	109	139	162	126	88	215	267	228
	FAN	Pf <sub>0.40</sub>	56	64	74	85	112	127	140	174	246	282	362
	CC	Pc <sub>0.20</sub>	98	103	106	111	119	122	303	419	629	635	725
50	---	Pt <sub>0.40</sub>	81	95	88	98	133	161	150	156	175	261	298
	FAN	Pf <sub>0.40</sub>	54	62	72	75	107	123	115	147	176	275	304
	CC	Pc <sub>0.20</sub>	94	100	103	97	114	118	251	360	463	619	616
56	---	Pt <sub>0.40</sub>	76	91	105	104	149	154	146	151	171	275	289
	FAN	Pf <sub>0.40</sub>	48	59	68	80	97	118	111	141	171	237	293
	CC	Pc <sub>0.20</sub>	84	95	98	103	103	113	243	345	450	537	592
63	---	Pt <sub>0.40</sub>	74	85	103	110	143	168	143	151	170	270	292
	FAN	Pf <sub>0.40</sub>	46	53	66	69	93	107	107	137	164	232	281
	CC	Pc <sub>0.20</sub>	81	85	95	89	98	102	234	336	431	524	570
71	---	Pt <sub>0.40</sub>	72	82	99	117	141	162	139	145	166	261	282
	FAN	Pf <sub>0.40</sub>	45	51	64	73	90	102	103	132	160	218	270
	CC	Pc <sub>0.20</sub>	78	81	91	95	96	98	226	322	419	493	548
80	---	Pt <sub>0.40</sub>	69	80	97	104	135	159	97	113	105	256	131
	FAN	Pf <sub>0.40</sub>	43	49	62	64	86	100	90	117	151	213	247
	CC	Pc <sub>0.20</sub>	75	80	89	83	92	95	195	283	387	482	491
90	---	Pt <sub>0.40</sub>	68	77	92	111	131	152	95	112	104	130	134
	FAN	Pf <sub>0.40</sub>	42	47	59	69	83	95	86	114	144	201	238
	CC	Pc <sub>0.20</sub>	74	76	84	89	88	91	187	274	371	445	474
100	---	Pt <sub>0.40</sub>	66	76	90	96	126	147	93	108	102	126	130
	FAN	Pf <sub>0.40</sub>	40	47	57	59	80	92	84	109	141	189	230
	CC	Pc <sub>0.20</sub>	71	75	82	77	84	87	182	264	361	418	458

\* Additional Cooling Necessary - Consult Factory



Nom. Ratio	Cooling Type		SK 5407/ SK 5507	SK 6407/ SK 6507	SK 7407/ SK 7507	SK 8407/ SK 8507	SK 9407/ SK 9507	SK 10407/ SK 10507	SK 11407/ SK 11507	SK 12407/ SK 12507	SK 13407/ SK 13507	SK 14407/ SK 14507	SK 15407/ SK 15507
	$i_N$		Thermal Power										
			$P_N$ [HP]	$P_N$ [HP]	$P_N$ [HP]	$P_N$ [HP]	$P_N$ [HP]	$P_N$ [HP]	$P_N$ [HP]	$P_N$ [HP]	$P_N$ [HP]	$P_N$ [HP]	$P_N$ [HP]
112	---	Pt <sub>0.40</sub>	55	73	71	103	106	141	97	116	112	124	156
	FAN	P <sub>f,40</sub>	34	44	46	63	71	88	83	109	137	185	224
	CC	P <sub>c,20</sub>	61	71	66	82	75	84	181	264	354	410	449
125	---	Pt <sub>0.40</sub>	53	61	69	75	102	120	94	112	109	134	152
	FAN	P <sub>f,40</sub>	33	38	45	47	68	78	81	105	134	178	216
	CC	P <sub>c,20</sub>	59	61	64	61	72	74	175	254	344	395	433
140	---	Pt <sub>0.40</sub>	52	59	67	79	98	115	91	109	106	132	149
	FAN	P <sub>f,40</sub>	33	37	43	49	65	75	77	101	127	174	208
	CC	P <sub>c,20</sub>	57	59	62	64	69	71	167	244	328	387	418
160	---	Pt <sub>0.40</sub>	50	58	65	71	95	111	89	105	103	125	144
	FAN	P <sub>f,40</sub>	32	36	42	44	63	72	75	97	124	163	201
	CC	P <sub>c,20</sub>	55	58	60	57	66	68	162	235	319	362	404
180	---	Pt <sub>0.40</sub>	49	56	65	74	93	107	89	106	106	123	152
	FAN	P <sub>f,40</sub>	31	35	42	46	61	69	72	95	120	160	191
	CC	P <sub>c,20</sub>	54	56	60	60	65	66	157	229	309	355	385
200	---	Pt <sub>0.40</sub>	48	55	63	68	90	105	86	102	104	127	148
	FAN	P <sub>f,40</sub>	30	34	41	43	59	67	70	91	117	153	185
	CC	P <sub>c,20</sub>	52	55	58	55	62	64	152	220	301	341	372
224	---	Pt <sub>0.40</sub>	48	53	63	72	92	101	83	100	100	125	144
	FAN	P <sub>f,40</sub>	30	33	40	45	60	65	67	88	111	150	178
	CC	P <sub>c,20</sub>	52	52	57	58	63	62	146	212	286	334	358
250	---	Pt <sub>0.40</sub>	47	54	61	66	88	104	81	96	98	118	139
	FAN	P <sub>f,40</sub>	29	33	39	40	57	66	65	84	108	140	172
	CC	P <sub>c,20</sub>	51	53	56	52	61	63	141	204	278	312	346
280	---	Pt <sub>0.40</sub>	45	52	59	70	85	99	77	93	95	116	137
	FAN	P <sub>f,40</sub>	28	32	37	43	55	63	61	80	102	137	160
	CC	P <sub>c,20</sub>	49	51	53	56	58	60	133	194	263	306	323
315	---	Pt <sub>0.40</sub>	44	51	57	62	81	95	75	89	92	106	133
	FAN	P <sub>f,40</sub>	27	31	36	38	53	60	60	77	99	127	155
	CC	P <sub>c,20</sub>	47	50	52	49	56	58	129	186	256	283	312
355	---	Pt <sub>0.40</sub>	42	49	57	65	80	92	72	87	89	104	129
	FAN	P <sub>f,40</sub>	26	30	36	40	51	58	57	74	94	124	149
	CC	P <sub>c,20</sub>	46	48	52	52	54	55	123	179	243	277	302
400	---	Pt <sub>0.40</sub>	41	47	56	60	77	90	70	84	87	104	125
	FAN	P <sub>f,40</sub>	25	29	35	37	49	56	55	71	92	124	144
	CC	P <sub>c,20</sub>	44	47	50	47	52	54	120	172	236	277	292
450	---	Pt <sub>0.40</sub>	---	46	---	63	---	86	---	---	---	---	---
	FAN	P <sub>f,40</sub>	---	28	---	39	---	54	---	---	---	---	---
	CC	P <sub>c,20</sub>	---	45	---	50	---	52	---	---	---	---	---

Thermal Ratings

# Thermal Rating

## M5 Mounting - 1000 rpm

### @ 20°C = 68°F



Nom. Ratio	Cooling Type		SK 5407/ SK 5507	SK 6407/ SK 6507	SK 7407/ SK 7507	SK 8407/ SK 8507	SK 9407/ SK 9507	SK 10407/ SK 10507	SK 11407/ SK 11507	SK 12407/ SK 12507	SK 13407/ SK 13507	SK 14407/ SK 14507	SK 15407/ SK 15507
			Thermal Power										
$i_n$			$P_N$ [HP]	$P_N$ [HP]	$P_N$ [HP]	$P_N$ [HP]	$P_N$ [HP]	$P_N$ [HP]	$P_N$ [HP]	$P_N$ [HP]	$P_N$ [HP]	$P_N$ [HP]	$P_N$ [HP]
12.5	---	Pt <sub>0.20</sub>	---	---	---	---	---	---	*	*	*	---	*
	FAN	P <sub>f,20</sub>	---	---	---	---	---	---	250	164	124	---	*
	CC	P <sub>c,20</sub>	---	---	---	---	---	---	457	516	693	---	*
14	---	Pt <sub>0.20</sub>	---	---	---	---	---	---	*	*	*	*	*
	FAN	P <sub>f,20</sub>	---	---	---	---	---	---	245	165	135	93	*
	CC	P <sub>c,20</sub>	---	---	---	---	---	---	443	496	675	602	*
16	---	Pt <sub>0.20</sub>	---	---	---	---	---	---	33	*	*	*	*
	FAN	P <sub>f,20</sub>	---	---	---	---	---	---	243	225	232	112	*
	CC	P <sub>c,20</sub>	---	---	---	---	---	---	433	543	742	600	103
18	---	Pt <sub>0.20</sub>	103	---	112	---	137	---	36	*	*	*	*
	FAN	P <sub>f,20</sub>	81	---	107	---	164	---	231	218	232	255	*
	CC	P <sub>c,20</sub>	120	---	130	---	147	---	412	517	718	682	123
20	---	Pt <sub>0.20</sub>	99	118	110	123	132	168	65	*	*	*	*
	FAN	P <sub>f,20</sub>	78	91	104	108	156	180	218	252	295	325	*
	CC	P <sub>c,20</sub>	115	123	126	118	140	145	393	543	753	727	295
22.4	---	Pt <sub>0.20</sub>	100	113	111	132	143	162	65	*	*	*	*
	FAN	P <sub>f,20</sub>	77	86	101	115	154	171	208	242	288	322	*
	CC	P <sub>c,20</sub>	113	116	122	126	138	138	375	515	725	712	293
25	---	Pt <sub>0.20</sub>	96	114	108	120	137	172	83	*	*	*	*
	FAN	P <sub>f,20</sub>	73	85	98	101	146	169	195	261	321	363	*
	CC	P <sub>c,20</sub>	108	115	118	110	131	136	353	523	726	727	399
28	---	Pt <sub>0.20</sub>	96	108	115	129	168	165	81	*	*	*	*
	FAN	P <sub>f,20</sub>	64	81	83	108	127	160	186	249	311	357	*
	CC	P <sub>c,20</sub>	94	109	101	118	114	129	337	496	698	710	387
31.5	---	Pt <sub>0.20</sub>	92	108	112	122	162	193	157	167	263	0	223
	FAN	P <sub>f,20</sub>	61	71	81	84	121	140	158	194	272	372	410
	CC	P <sub>c,20</sub>	91	96	99	93	109	113	291	400	593	696	697
35.5	---	Pt <sub>0.20</sub>	92	103	111	130	163	185	152	161	255	*	218
	FAN	P <sub>f,20</sub>	60	67	79	90	120	133	152	185	262	364	392
	CC	P <sub>c,20</sub>	89	91	96	99	107	108	279	380	570	679	666
40	---	Pt <sub>0.20</sub>	88	103	108	117	156	187	152	166	259	307	250
	FAN	P <sub>f,20</sub>	58	67	76	79	114	132	145	179	247	293	370
	CC	P <sub>c,20</sub>	86	91	93	87	102	106	268	368	538	560	631
45	---	Pt <sub>0.20</sub>	86	99	105	124	154	178	147	159	250	305	242
	FAN	P <sub>f,20</sub>	56	64	73	85	111	126	139	170	237	272	353
	CC	P <sub>c,20</sub>	83	86	89	93	99	101	257	350	518	521	603
50	---	Pt <sub>0.20</sub>	83	97	102	110	148	176	162	189	213	298	331
	FAN	P <sub>f,20</sub>	54	62	71	74	106	122	116	148	179	265	294
	CC	P <sub>c,20</sub>	79	84	87	81	95	98	214	307	398	507	507
56	---	Pt <sub>0.20</sub>	77	92	109	117	152	168	157	182	208	306	320
	FAN	P <sub>f,20</sub>	48	59	67	79	96	116	111	141	173	228	283
	CC	P <sub>c,20</sub>	71	80	81	87	86	94	207	293	385	439	487
63	---	Pt <sub>0.20</sub>	75	86	106	113	146	171	154	180	204	299	320
	FAN	P <sub>f,20</sub>	46	53	65	68	92	106	108	138	166	223	272
	CC	P <sub>c,20</sub>	68	72	79	74	82	85	200	286	369	428	469
71	---	Pt <sub>0.20</sub>	72	83	102	120	143	164	149	173	198	287	308
	FAN	P <sub>f,20</sub>	44	50	62	72	89	101	104	131	161	210	261
	CC	P <sub>c,20</sub>	66	68	76	79	80	81	192	272	358	404	451
80	---	Pt <sub>0.20</sub>	70	81	99	106	137	161	131	161	188	280	283
	FAN	P <sub>f,20</sub>	43	49	61	63	85	98	87	113	143	205	220
	CC	P <sub>c,20</sub>	63	67	74	69	76	79	161	233	317	394	380
90	---	Pt <sub>0.20</sub>	68	77	95	113	132	154	127	158	183	242	279
	FAN	P <sub>f,20</sub>	42	47	58	67	82	94	83	109	137	179	212
	CC	P <sub>c,20</sub>	62	64	70	74	73	76	154	225	302	344	367
100	---	Pt <sub>0.20</sub>	66	76	92	98	127	149	123	152	178	230	270
	FAN	P <sub>f,20</sub>	40	46	56	58	78	90	81	105	133	168	205
	CC	P <sub>c,20</sub>	60	63	68	64	70	73	149	216	294	323	355

\* Additional Cooling Necessary - Consult Factory



Nom. Ratio	Cooling Type		SK 5407/ SK 5507	SK 6407/ SK 6507	SK 7407/ SK 7507	SK 8407/ SK 8507	SK 9407/ SK 9507	SK 10407/ SK 10507	SK 11407/ SK 11507	SK 12407/ SK 12507	SK 13407/ SK 13507	SK 14407/ SK 14507	SK 15407/ SK 15507
			Thermal Power										
$i_N$			$P_N$ [HP]	$P_N$ [HP]	$P_N$ [HP]	$P_N$ [HP]	$P_N$ [HP]	$P_N$ [HP]	$P_N$ [HP]	$P_N$ [HP]	$P_N$ [HP]	$P_N$ [HP]	$P_N$ [HP]
112	---	$P_{t_{0.20}}$	57	73	75	104	113	142	125	156	180	226	279
	FAN	$P_{f_{0.20}}$	34	44	45	62	69	86	81	105	131	165	203
	CC	$P_{c_{0.20}}$	51	60	55	68	61	70	149	218	290	316	352
125	---	$P_{t_{0.20}}$	55	64	73	78	109	127	121	150	176	225	270
	FAN	$P_{f_{0.20}}$	33	38	44	46	66	76	78	101	127	161	196
	CC	$P_{c_{0.20}}$	49	51	53	50	59	61	145	209	282	309	339
140	---	$P_{t_{0.20}}$	54	61	70	82	105	122	117	146	169	220	262
	FAN	$P_{f_{0.20}}$	32	36	42	48	63	73	75	97	121	157	189
	CC	$P_{c_{0.20}}$	48	49	51	53	57	58	138	200	267	302	327
160	---	$P_{t_{0.20}}$	52	60	69	74	101	118	113	140	164	208	254
	FAN	$P_{f_{0.20}}$	31	36	41	43	61	70	72	93	117	147	183
	CC	$P_{c_{0.20}}$	46	48	50	47	54	56	133	192	259	282	316
180	---	$P_{t_{0.20}}$	51	58	69	78	100	113	111	138	162	204	248
	FAN	$P_{f_{0.20}}$	30	34	41	45	59	67	70	91	114	144	175
	CC	$P_{c_{0.20}}$	45	46	50	50	53	54	130	189	252	276	303
200	---	$P_{t_{0.20}}$	49	57	67	71	96	111	107	133	158	199	240
	FAN	$P_{f_{0.20}}$	29	34	40	42	57	65	68	88	111	139	169
	CC	$P_{c_{0.20}}$	43	46	49	46	51	53	126	181	245	267	293
224	---	$P_{t_{0.20}}$	50	54	66	75	97	107	103	129	151	195	232
	FAN	$P_{f_{0.20}}$	29	32	39	44	58	63	65	84	105	136	163
	CC	$P_{c_{0.20}}$	44	44	47	48	52	51	119	173	232	261	282
250	---	$P_{t_{0.20}}$	48	55	64	68	93	109	100	124	147	183	224
	FAN	$P_{f_{0.20}}$	28	33	38	40	56	64	63	81	102	127	157
	CC	$P_{c_{0.20}}$	42	44	46	43	50	52	116	166	225	243	272
280	---	$P_{t_{0.20}}$	47	53	61	72	89	104	95	118	139	180	212
	FAN	$P_{f_{0.20}}$	28	31	36	42	53	61	59	77	97	124	148
	CC	$P_{c_{0.20}}$	41	42	44	46	48	49	110	159	215	238	257
315	---	$P_{t_{0.20}}$	45	52	60	64	86	100	92	113	136	166	205
	FAN	$P_{f_{0.20}}$	27	31	35	37	51	59	58	74	94	116	143
	CC	$P_{c_{0.20}}$	39	42	43	40	46	47	106	153	209	223	248
355	---	$P_{t_{0.20}}$	44	50	60	67	84	96	88	110	130	163	199
	FAN	$P_{f_{0.20}}$	26	29	35	39	50	56	55	71	89	113	138
	CC	$P_{c_{0.20}}$	38	40	43	43	45	45	101	146	197	218	239
400	---	$P_{t_{0.20}}$	42	49	58	62	81	94	85	105	126	163	192
	FAN	$P_{f_{0.20}}$	25	29	34	36	48	55	53	68	87	113	133
	CC	$P_{c_{0.20}}$	37	39	42	39	43	44	98	141	192	218	231
450	---	$P_{t_{0.20}}$	---	47	---	65	---	90	---	---	---	---	---
	FAN	$P_{f_{0.20}}$	---	27	---	38	---	52	---	---	---	---	---
	CC	$P_{c_{0.20}}$	---	37	---	42	---	42	---	---	---	---	---

# Thermal Rating

## M5 Mounting - 1000 rpm

### @ 40°C = 104°F



Nom. Ratio	Cooling Type		SK 5407/ SK 5507	SK 6407/ SK 6507	SK 7407/ SK 7507	SK 8407/ SK 8507	SK 9407/ SK 9507	SK 10407/ SK 10507	SK 11407/ SK 11507	SK 12407/ SK 12507	SK 13407/ SK 13507	SK 14407/ SK 14507	SK 15407/ SK 15507
			Thermal Power										
$i_n$			$P_N$ [HP]	$P_N$ [HP]	$P_N$ [HP]	$P_N$ [HP]	$P_N$ [HP]	$P_N$ [HP]	$P_N$ [HP]	$P_N$ [HP]	$P_N$ [HP]	$P_N$ [HP]	$P_N$ [HP]
12.5	---	Pt <sub>0.40</sub>	---	---	---	---	---	---	*	*	*	---	*
	FAN	Pf <sub>0.40</sub>	---	---	---	---	---	---	154	22	*	---	*
	CC	Pc <sub>0.20</sub>	---	---	---	---	---	---	408	452	607	---	*
14	---	Pt <sub>0.40</sub>	---	---	---	---	---	---	*	*	*	*	*
	FAN	Pf <sub>0.40</sub>	---	---	---	---	---	---	154	31	*	*	*
	CC	Pc <sub>0.20</sub>	---	---	---	---	---	---	395	435	594	503	*
16	---	Pt <sub>0.40</sub>	---	---	---	---	---	---	*	*	*	*	*
	FAN	Pf <sub>0.40</sub>	---	---	---	---	---	---	190	107	44	*	*
	CC	Pc <sub>0.20</sub>	---	---	---	---	---	---	420	485	664	505	*
18	---	Pt <sub>0.40</sub>	83	---	86	---	97	---	*	*	*	*	*
	FAN	Pf <sub>0.40</sub>	71	---	93	---	144	---	185	107	55	54	*
	CC	Pc <sub>0.20</sub>	123	---	134	---	152	---	405	463	643	596	*
20	---	Pt <sub>0.40</sub>	80	96	84	96	94	124	2	*	*	*	*
	FAN	Pf <sub>0.40</sub>	68	79	91	94	137	157	202	146	140	150	*
	CC	Pc <sub>0.20</sub>	118	125	130	121	145	150	414	489	681	645	163
22.4	---	Pt <sub>0.40</sub>	81	92	87	103	105	120	5	*	*	*	*
	FAN	Pf <sub>0.40</sub>	66	74	87	100	134	149	193	141	141	153	*
	CC	Pc <sub>0.20</sub>	116	119	125	129	142	142	395	465	657	633	169
25	---	Pt <sub>0.40</sub>	78	93	85	96	101	131	30	*	*	*	*
	FAN	Pf <sub>0.40</sub>	64	74	85	88	128	147	177	166	189	209	*
	CC	Pc <sub>0.20</sub>	111	118	121	113	135	140	368	475	662	652	290
28	---	Pt <sub>0.40</sub>	80	89	95	103	138	126	31	*	*	*	*
	FAN	Pf <sub>0.40</sub>	55	70	72	94	110	140	169	160	185	208	*
	CC	Pc <sub>0.20</sub>	96	112	103	121	116	133	351	451	637	637	283
31.5	---	Pt <sub>0.40</sub>	78	91	93	102	133	159	118	121	197	*	117
	FAN	Pf <sub>0.40</sub>	53	61	70	73	105	121	138	169	240	238	371
	CC	Pc <sub>0.20</sub>	92	98	101	94	111	116	297	408	608	629	726
35.5	---	Pt <sub>0.40</sub>	77	87	92	108	135	153	115	117	192	*	117
	FAN	Pf <sub>0.40</sub>	52	58	68	78	104	116	132	161	231	234	354
	CC	Pc <sub>0.20</sub>	91	93	98	101	110	110	285	387	584	614	693
40	---	Pt <sub>0.40</sub>	74	87	90	97	129	155	117	123	199	236	158
	FAN	Pf <sub>0.40</sub>	50	58	66	69	99	114	126	156	216	258	330
	CC	Pc <sub>0.20</sub>	87	93	95	89	105	109	273	375	551	574	653
45	---	Pt <sub>0.40</sub>	72	83	87	104	128	148	113	118	193	240	154
	FAN	Pf <sub>0.40</sub>	48	55	63	73	96	109	121	148	208	239	316
	CC	Pc <sub>0.20</sub>	84	88	91	95	101	104	262	357	530	534	624
50	---	Pt <sub>0.40</sub>	70	82	85	92	122	147	135	154	171	235	261
	FAN	Pf <sub>0.40</sub>	46	54	62	64	91	106	100	128	155	232	258
	CC	Pc <sub>0.20</sub>	81	86	88	83	97	101	218	312	404	520	519
56	---	Pt <sub>0.40</sub>	66	78	93	98	130	140	131	148	167	251	252
	FAN	Pf <sub>0.40</sub>	41	51	58	68	83	101	96	122	150	199	248
	CC	Pc <sub>0.20</sub>	72	82	83	88	87	96	210	297	391	449	499
63	---	Pt <sub>0.40</sub>	63	74	90	96	125	146	128	148	165	246	255
	FAN	Pf <sub>0.40</sub>	40	46	56	58	79	91	93	119	144	195	238
	CC	Pc <sub>0.20</sub>	69	73	81	76	84	87	203	290	375	438	481
71	---	Pt <sub>0.40</sub>	62	70	87	103	122	140	124	142	161	237	246
	FAN	Pf <sub>0.40</sub>	38	44	54	62	77	87	90	114	139	183	229
	CC	Pc <sub>0.20</sub>	67	70	77	81	81	83	195	277	363	413	462
80	---	Pt <sub>0.40</sub>	60	69	85	90	117	137	110	134	155	232	231
	FAN	Pf <sub>0.40</sub>	37	43	52	54	74	85	75	98	124	179	192
	CC	Pc <sub>0.20</sub>	65	68	75	70	78	81	164	237	322	403	388
90	---	Pt <sub>0.40</sub>	58	66	81	96	113	131	107	132	151	199	228
	FAN	Pf <sub>0.40</sub>	36	41	50	58	71	81	72	95	119	157	186
	CC	Pc <sub>0.20</sub>	63	65	71	75	75	77	157	229	307	352	375
100	---	Pt <sub>0.40</sub>	56	65	79	84	108	127	104	127	147	190	221
	FAN	Pf <sub>0.40</sub>	35	40	48	50	68	78	70	91	115	147	179
	CC	Pc <sub>0.20</sub>	61	64	69	65	72	74	152	220	299	331	363

\* Additional Cooling Necessary - Consult Factory



Nom. Ratio	Cooling Type		SK 5407/ SK 5507	SK 6407/ SK 6507	SK 7407/ SK 7507	SK 8407/ SK 8507	SK 9407/ SK 9507	SK 10407/ SK 10507	SK 11407/ SK 11507	SK 12407/ SK 12507	SK 13407/ SK 13507	SK 14407/ SK 14507	SK 15407/ SK 15507
			Thermal Power										
$i_N$			$P_N$ [HP]	$P_N$ [HP]	$P_N$ [HP]	$P_N$ [HP]	$P_N$ [HP]	$P_N$ [HP]	$P_N$ [HP]	$P_N$ [HP]	$P_N$ [HP]	$P_N$ [HP]	$P_N$ [HP]
112	---	$P_{t0.40}$	49	62	64	89	97	122	106	131	150	186	231
	FAN	$P_{f0.40}$	29	38	39	54	59	75	70	91	114	144	177
	CC	$P_{c0.20}$	51	61	56	69	63	71	152	221	295	324	359
125	---	$P_{t0.40}$	48	55	63	67	94	109	102	126	146	187	224
	FAN	$P_{f0.40}$	28	33	38	40	57	65	68	88	110	140	171
	CC	$P_{c0.20}$	50	52	54	51	60	62	147	212	286	316	347
140	---	$P_{t0.40}$	46	52	60	71	90	105	99	123	140	183	218
	FAN	$P_{f0.40}$	28	31	36	42	55	63	65	84	105	137	165
	CC	$P_{c0.20}$	49	50	52	54	58	60	140	204	272	309	334
160	---	$P_{t0.40}$	45	52	59	63	87	101	96	118	137	173	211
	FAN	$P_{f0.40}$	27	31	35	37	52	60	63	81	102	129	159
	CC	$P_{c0.20}$	47	49	51	48	56	57	136	196	264	288	323
180	---	$P_{t0.40}$	44	50	59	67	85	97	94	117	135	170	207
	FAN	$P_{f0.40}$	26	29	35	39	51	58	61	79	99	126	153
	CC	$P_{c0.20}$	46	47	51	51	54	55	132	192	257	282	310
200	---	$P_{t0.40}$	42	49	57	61	82	96	91	112	132	166	200
	FAN	$P_{f0.40}$	25	29	34	36	49	57	59	76	96	121	147
	CC	$P_{c0.20}$	44	46	49	47	52	54	128	184	249	273	299
224	---	$P_{t0.40}$	43	47	56	65	84	92	87	109	126	163	194
	FAN	$P_{f0.40}$	25	28	34	38	50	54	56	73	91	119	142
	CC	$P_{c0.20}$	44	44	48	49	53	52	122	177	236	267	288
250	---	$P_{t0.40}$	41	48	55	59	80	94	85	104	123	153	187
	FAN	$P_{f0.40}$	24	28	33	34	48	55	54	70	89	111	137
	CC	$P_{c0.20}$	43	45	47	44	51	53	118	169	229	249	278
280	---	$P_{t0.40}$	40	46	53	62	77	90	80	100	117	150	178
	FAN	$P_{f0.40}$	24	27	31	36	46	53	52	67	84	108	129
	CC	$P_{c0.20}$	42	43	45	47	49	51	112	162	218	243	262
315	---	$P_{t0.40}$	39	45	51	55	74	86	78	96	114	138	172
	FAN	$P_{f0.40}$	23	26	30	32	44	51	50	64	82	101	125
	CC	$P_{c0.20}$	40	42	44	41	47	48	108	155	212	228	253
355	---	$P_{t0.40}$	38	43	51	58	72	82	75	93	109	136	166
	FAN	$P_{f0.40}$	22	25	30	34	43	48	48	62	78	99	120
	CC	$P_{c0.20}$	39	40	44	44	46	46	103	149	201	223	244
400	---	$P_{t0.40}$	36	42	50	53	69	81	73	89	106	136	161
	FAN	$P_{f0.40}$	21	25	30	31	41	47	46	59	76	99	116
	CC	$P_{c0.20}$	38	40	42	40	44	45	100	143	195	223	236
450	---	$P_{t0.40}$	---	40	---	56	---	78	---	---	---	---	---
	FAN	$P_{f0.40}$	---	24	---	33	---	45	---	---	---	---	---
	CC	$P_{c0.20}$	---	38	---	42	---	43	---	---	---	---	---

# Thermal Rating

## M5 Mounting - 1200 rpm

### @ 20°C = 68°F



Nom. Ratio	Cooling Type		SK 5407/ SK 5507	SK 6407/ SK 6507	SK 7407/ SK 7507	SK 8407/ SK 8507	SK 9407/ SK 9507	SK 10407/ SK 10507	SK 11407/ SK 11507	SK 12407/ SK 12507	SK 13407/ SK 13507	SK 14407/ SK 14507	SK 15407/ SK 15507
			Thermal Power										
$i_n$			$P_N$ [HP]	$P_N$ [HP]	$P_N$ [HP]	$P_N$ [HP]	$P_N$ [HP]	$P_N$ [HP]	$P_N$ [HP]	$P_N$ [HP]	$P_N$ [HP]	$P_N$ [HP]	$P_N$ [HP]
12.5	---	Pt <sub>0.20</sub>	---	---	---	---	---	---	*	*	*	---	*
	FAN	Pf <sub>20</sub>	---	---	---	---	---	---	86	*	*	---	*
	CC	Pc <sub>20</sub>	---	---	---	---	---	---	325	277	317	---	*
14	---	Pt <sub>0.20</sub>	---	---	---	---	---	---	*	*	*	*	*
	FAN	Pf <sub>20</sub>	---	---	---	---	---	---	92	*	*	*	*
	CC	Pc <sub>20</sub>	---	---	---	---	---	---	319	274	325	119	*
16	---	Pt <sub>0.20</sub>	---	---	---	---	---	---	*	*	*	*	*
	FAN	Pf <sub>20</sub>	---	---	---	---	---	---	154	*	*	*	*
	CC	Pc <sub>20</sub>	---	---	---	---	---	---	365	359	451	146	*
18	---	Pt <sub>0.20</sub>	92	---	88	---	83	---	*	*	*	*	*
	FAN	Pf <sub>20</sub>	87	---	116	---	180	---	153	*	*	*	*
	CC	Pc <sub>20</sub>	128	---	140	---	162	---	354	346	445	352	*
20	---	Pt <sub>0.20</sub>	89	107	87	102	82	116	*	*	*	*	*
	FAN	Pf <sub>20</sub>	83	97	112	116	171	196	185	56	*	*	*
	CC	Pc <sub>20</sub>	123	131	136	127	154	159	378	393	526	452	*
22.4	---	Pt <sub>0.20</sub>	90	103	91	110	99	114	*	*	*	*	*
	FAN	Pf <sub>20</sub>	82	92	108	124	168	186	181	59	*	*	*
	CC	Pc <sub>20</sub>	121	124	131	135	150	151	364	376	511	448	*
25	---	Pt <sub>0.20</sub>	87	105	89	104	96	131	*	*	*	*	*
	FAN	Pf <sub>20</sub>	78	91	105	108	159	183	200	107	71	59	*
	CC	Pc <sub>20</sub>	116	123	127	118	143	148	373	403	551	508	*
28	---	Pt <sub>0.20</sub>	95	100	110	111	157	126	*	*	*	*	*
	FAN	Pf <sub>20</sub>	67	86	88	116	135	174	193	104	74	65	*
	CC	Pc <sub>20</sub>	99	116	107	127	121	141	359	384	532	499	*
31.5	---	Pt <sub>0.20</sub>	91	107	108	118	151	183	119	113	191	*	*
	FAN	Pf <sub>20</sub>	65	75	86	89	129	148	170	209	299	142	495
	CC	Pc <sub>20</sub>	96	101	104	98	115	120	312	428	644	522	811
35.5	---	Pt <sub>0.20</sub>	91	103	107	126	154	176	116	110	187	*	5
	FAN	Pf <sub>20</sub>	64	71	83	95	127	142	163	199	287	142	475
	CC	Pc <sub>20</sub>	94	96	101	104	114	114	299	407	619	511	777
40	---	Pt <sub>0.20</sub>	88	103	104	114	148	179	121	121	204	240	91
	FAN	Pf <sub>20</sub>	61	71	81	84	121	140	156	192	269	320	425
	CC	Pc <sub>20</sub>	90	96	98	92	109	113	286	393	581	607	710
45	---	Pt <sub>0.20</sub>	85	98	101	121	148	172	117	117	198	253	92
	FAN	Pf <sub>20</sub>	59	67	77	90	117	133	149	183	258	295	405
	CC	Pc <sub>20</sub>	87	91	94	98	105	107	274	374	559	563	678
50	---	Pt <sub>0.20</sub>	82	97	99	108	141	171	156	175	190	248	276
	FAN	Pf <sub>20</sub>	57	66	75	78	112	129	122	156	189	287	319
	CC	Pc <sub>20</sub>	84	89	91	86	100	104	226	323	419	548	547
56	---	Pt <sub>0.20</sub>	79	92	111	115	155	163	152	168	186	285	268
	FAN	Pf <sub>20</sub>	50	62	71	83	101	123	117	149	183	245	307
	CC	Pc <sub>20</sub>	74	85	86	92	90	99	218	309	406	470	526
63	---	Pt <sub>0.20</sub>	76	88	108	116	149	175	149	168	185	280	276
	FAN	Pf <sub>20</sub>	48	56	69	71	97	111	113	146	175	239	294
	CC	Pc <sub>20</sub>	72	76	83	78	87	90	210	301	389	458	505
71	---	Pt <sub>0.20</sub>	74	84	105	123	146	167	145	162	180	271	267
	FAN	Pf <sub>20</sub>	47	53	66	76	94	106	109	139	170	225	283
	CC	Pc <sub>20</sub>	69	72	80	83	84	86	203	287	377	431	485
80	---	Pt <sub>0.20</sub>	71	83	102	109	140	164	129	156	176	265	258
	FAN	Pf <sub>20</sub>	45	52	64	67	90	104	92	120	152	219	237
	CC	Pc <sub>20</sub>	67	71	78	73	81	84	170	247	335	421	407
90	---	Pt <sub>0.20</sub>	70	79	97	116	135	157	126	154	172	225	257
	FAN	Pf <sub>20</sub>	44	50	61	71	87	99	88	116	145	193	228
	CC	Pc <sub>20</sub>	65	67	74	78	77	80	163	238	320	369	393
100	---	Pt <sub>0.20</sub>	67	78	94	101	130	152	122	148	168	216	249
	FAN	Pf <sub>20</sub>	42	49	59	61	83	95	85	111	141	181	221
	CC	Pc <sub>20</sub>	63	66	72	67	74	77	158	229	311	346	380

\* Additional Cooling Necessary - Consult Factory





Nom. Ratio	Cooling Type		SK 5407/ SK 5507	SK 6407/ SK 6507	SK 7407/ SK 7507	SK 8407/ SK 8507	SK 9407/ SK 9507	SK 10407/ SK 10507	SK 11407/ SK 11507	SK 12407/ SK 12507	SK 13407/ SK 13507	SK 14407/ SK 14507	SK 15407/ SK 15507
			Thermal Power										
$i_N$			$P_N$ [HP]	$P_N$ [HP]	$P_N$ [HP]	$P_N$ [HP]	$P_N$ [HP]	$P_N$ [HP]	$P_N$ [HP]	$P_N$ [HP]	$P_N$ [HP]	$P_N$ [HP]	$P_N$ [HP]
112	---	$P_{t0.20}$	59	75	77	107	117	146	125	153	173	212	264
	FAN	$P_{f0.20}$	36	47	47	66	73	91	85	111	139	178	218
	CC	$P_{c0.20}$	53	63	58	72	65	73	158	230	306	339	375
125	---	$P_{t0.20}$	57	66	76	81	112	131	121	148	168	214	256
	FAN	$P_{f0.20}$	35	40	46	49	70	80	82	107	135	172	210
	CC	$P_{c0.20}$	52	54	56	53	62	64	152	221	298	330	363
140	---	$P_{t0.20}$	56	63	73	85	108	126	117	144	162	210	250
	FAN	$P_{f0.20}$	34	38	44	51	67	77	79	103	128	169	203
	CC	$P_{c0.20}$	50	52	54	56	60	62	145	212	283	323	349
160	---	$P_{t0.20}$	54	62	71	76	104	121	113	138	158	199	241
	FAN	$P_{f0.20}$	33	38	43	45	64	74	76	99	125	158	196
	CC	$P_{c0.20}$	49	51	53	50	57	59	141	203	275	302	337
180	---	$P_{t0.20}$	53	60	71	80	103	117	111	137	157	195	239
	FAN	$P_{f0.20}$	32	36	43	48	63	71	74	97	121	154	187
	CC	$P_{c0.20}$	47	49	53	53	56	57	137	199	267	295	323
200	---	$P_{t0.20}$	51	59	69	74	99	115	108	132	153	192	231
	FAN	$P_{f0.20}$	31	35	42	44	60	69	72	93	118	149	181
	CC	$P_{c0.20}$	46	48	51	48	54	56	133	191	260	285	312
224	---	$P_{t0.20}$	52	56	68	78	101	110	104	128	146	188	224
	FAN	$P_{f0.20}$	31	34	41	47	62	66	68	89	112	146	174
	CC	$P_{c0.20}$	46	46	50	51	55	53	126	184	246	279	301
250	---	$P_{t0.20}$	50	57	66	71	97	113	101	123	142	177	217
	FAN	$P_{f0.20}$	30	34	40	42	59	68	66	86	108	136	168
	CC	$P_{c0.20}$	44	47	49	46	53	55	122	176	239	260	291
280	---	$P_{t0.20}$	48	55	64	75	93	108	96	118	136	174	206
	FAN	$P_{f0.20}$	29	33	38	44	56	65	63	82	103	133	158
	CC	$P_{c0.20}$	43	45	47	49	50	52	116	168	227	255	273
315	---	$P_{t0.20}$	47	54	62	66	89	104	93	113	132	160	199
	FAN	$P_{f0.20}$	28	32	37	39	54	62	61	78	100	124	153
	CC	$P_{c0.20}$	42	44	45	43	48	50	112	161	221	238	264
355	---	$P_{t0.20}$	45	52	62	70	87	99	89	110	127	157	193
	FAN	$P_{f0.20}$	27	31	37	41	53	59	58	75	95	121	147
	CC	$P_{c0.20}$	40	42	45	45	47	48	107	155	209	233	255
400	---	$P_{t0.20}$	44	51	60	64	84	97	86	106	123	157	187
	FAN	$P_{f0.20}$	26	30	36	38	50	58	56	72	92	121	142
	CC	$P_{c0.20}$	39	41	44	41	45	47	103	149	203	233	246
450	---	$P_{t0.20}$	---	49	---	68	---	93	---	---	---	---	---
	FAN	$P_{f0.20}$	---	29	---	40	---	55	---	---	---	---	---
	CC	$P_{c0.20}$	---	39	---	44	---	45	---	---	---	---	---

# Thermal Rating

## M5 Mounting - 1200 rpm

### @ 40°C = 104°F



Nom. Ratio	Cooling Type		SK 5407/ SK 5507	SK 6407/ SK 6507	SK 7407/ SK 7507	SK 8407/ SK 8507	SK 9407/ SK 9507	SK 10407/ SK 10507	SK 11407/ SK 11507	SK 12407/ SK 12507	SK 13407/ SK 13507	SK 14407/ SK 14507	SK 15407/ SK 15507
			Thermal Power										
$i_n$			$P_N$ [HP]	$P_N$ [HP]	$P_N$ [HP]	$P_N$ [HP]	$P_N$ [HP]	$P_N$ [HP]	$P_N$ [HP]	$P_N$ [HP]	$P_N$ [HP]	$P_N$ [HP]	$P_N$ [HP]
12.5	---	Pt <sub>0.40</sub>	---	---	---	---	---	---	*	*	*	---	*
	FAN	Pf <sub>0.40</sub>	---	---	---	---	---	---	*	*	*	---	*
	CC	Pc <sub>0.20</sub>	---	---	---	---	---	---	269	202	210	---	*
14	---	Pt <sub>0.40</sub>	---	---	---	---	---	---	*	*	*	*	*
	FAN	Pf <sub>0.40</sub>	---	---	---	---	---	---	*	*	*	*	*
	CC	Pc <sub>0.20</sub>	---	---	---	---	---	---	266	204	223	*	*
16	---	Pt <sub>0.40</sub>	---	---	---	---	---	---	*	*	*	*	*
	FAN	Pf <sub>0.40</sub>	---	---	---	---	---	---	50	*	*	*	*
	CC	Pc <sub>0.20</sub>	---	---	---	---	---	---	315	293	358	*	*
18	---	Pt <sub>0.40</sub>	70	---	59	---	35	---	*	*	*	*	*
	FAN	Pf <sub>0.40</sub>	76	---	101	---	163	---	54	*	*	*	*
	CC	Pc <sub>0.20</sub>	131	---	144	---	171	---	307	285	356	245	*
20	---	Pt <sub>0.40</sub>	68	84	59	73	36	66	*	*	*	*	*
	FAN	Pf <sub>0.40</sub>	73	84	98	101	154	174	95	*	*	*	*
	CC	Pc <sub>0.20</sub>	126	134	140	130	163	166	332	334	444	355	*
22.4	---	Pt <sub>0.40</sub>	70	80	64	79	56	66	*	*	*	*	*
	FAN	Pf <sub>0.40</sub>	71	80	95	108	149	165	94	*	*	*	*
	CC	Pc <sub>0.20</sub>	124	127	135	139	157	158	320	320	433	354	*
25	---	Pt <sub>0.40</sub>	68	83	63	77	55	85	*	*	*	*	*
	FAN	Pf <sub>0.40</sub>	68	79	92	94	142	161	120	*	*	*	*
	CC	Pc <sub>0.20</sub>	118	126	131	122	150	154	331	350	479	421	*
28	---	Pt <sub>0.40</sub>	78	79	89	82	125	83	*	*	*	*	*
	FAN	Pf <sub>0.40</sub>	58	75	76	101	117	153	117	*	*	*	*
	CC	Pc <sub>0.20</sub>	101	119	109	130	124	146	319	334	463	415	*
31.5	---	Pt <sub>0.40</sub>	76	89	87	96	120	147	76	61	115	*	*
	FAN	Pf <sub>0.40</sub>	56	65	74	77	112	129	149	185	268	*	331
	CC	Pc <sub>0.20</sub>	97	103	106	100	118	123	320	439	665	446	726
35.5	---	Pt <sub>0.40</sub>	76	85	87	103	124	142	75	60	114	*	*
	FAN	Pf <sub>0.40</sub>	55	61	72	82	110	123	143	176	257	*	324
	CC	Pc <sub>0.20</sub>	96	98	103	106	117	117	307	418	639	437	701
40	---	Pt <sub>0.40</sub>	73	86	85	94	119	146	82	74	137	161	*
	FAN	Pf <sub>0.40</sub>	53	61	70	73	105	121	137	169	239	285	369
	CC	Pc <sub>0.20</sub>	92	98	100	94	111	116	293	403	598	627	724
45	---	Pt <sub>0.40</sub>	71	82	83	100	120	140	80	72	134	180	*
	FAN	Pf <sub>0.40</sub>	51	58	67	77	102	116	131	161	229	262	357
	CC	Pc <sub>0.20</sub>	89	93	96	100	108	110	281	383	575	579	697
50	---	Pt <sub>0.40</sub>	69	81	81	89	115	139	127	138	146	178	198
	FAN	Pf <sub>0.40</sub>	49	57	65	68	97	112	105	135	164	255	283
	CC	Pc <sub>0.20</sub>	85	91	93	88	103	107	230	329	426	564	563
56	---	Pt <sub>0.40</sub>	67	77	94	95	131	134	124	133	143	227	193
	FAN	Pf <sub>0.40</sub>	43	54	61	72	87	107	102	129	159	215	272
	CC	Pc <sub>0.20</sub>	76	86	88	93	92	102	221	314	413	481	541
63	---	Pt <sub>0.40</sub>	64	75	92	98	126	148	122	134	144	222	204
	FAN	Pf <sub>0.40</sub>	42	48	59	62	84	96	98	126	152	210	260
	CC	Pc <sub>0.20</sub>	73	77	85	80	88	92	214	306	396	470	519
71	---	Pt <sub>0.40</sub>	63	72	89	105	124	142	118	129	141	218	198
	FAN	Pf <sub>0.40</sub>	40	46	57	66	81	92	95	120	148	197	250
	CC	Pc <sub>0.20</sub>	71	73	82	85	86	88	206	292	384	442	499
80	---	Pt <sub>0.40</sub>	60	70	87	92	119	140	107	128	140	213	201
	FAN	Pf <sub>0.40</sub>	39	45	55	58	78	90	80	104	132	192	208
	CC	Pc <sub>0.20</sub>	68	72	79	74	82	85	173	251	342	431	418
90	---	Pt <sub>0.40</sub>	59	67	83	99	115	134	105	126	138	179	202
	FAN	Pf <sub>0.40</sub>	38	43	53	61	75	86	76	100	126	170	200
	CC	Pc <sub>0.20</sub>	66	69	75	80	79	82	166	242	326	379	403
100	---	Pt <sub>0.40</sub>	57	66	80	86	110	130	102	122	134	173	196
	FAN	Pf <sub>0.40</sub>	37	42	51	53	72	82	74	96	123	159	194
	CC	Pc <sub>0.20</sub>	64	68	73	69	76	79	161	233	317	355	390

\* Additional Cooling Necessary - Consult Factory



Nom. Ratio	Cooling Type		SK 5407/ SK 5507	SK 6407/ SK 6507	SK 7407/ SK 7507	SK 8407/ SK 8507	SK 9407/ SK 9507	SK 10407/ SK 10507	SK 11407/ SK 11507	SK 12407/ SK 12507	SK 13407/ SK 13507	SK 14407/ SK 14507	SK 15407/ SK 15507
			Thermal Power										
$i_N$			$P_N$ [HP]	$P_N$ [HP]	$P_N$ [HP]	$P_N$ [HP]	$P_N$ [HP]	$P_N$ [HP]	$P_N$ [HP]	$P_N$ [HP]	$P_N$ [HP]	$P_N$ [HP]	$P_N$ [HP]
112	---	$P_{t_{0.40}}$	50	64	66	92	100	124	104	127	140	169	213
	FAN	$P_{f_{0.40}}$	31	40	41	57	63	79	74	97	121	156	191
	CC	$P_{c_{0.20}}$	54	64	59	73	66	75	160	234	312	348	384
125	---	$P_{t_{0.40}}$	49	56	65	70	96	112	101	122	136	173	206
	FAN	$P_{f_{0.40}}$	30	34	40	42	60	69	71	93	117	151	184
	CC	$P_{c_{0.20}}$	52	55	57	54	64	66	155	225	303	338	371
140	---	$P_{t_{0.40}}$	48	54	62	73	93	108	98	120	132	170	202
	FAN	$P_{f_{0.40}}$	29	33	38	44	58	66	68	89	112	148	177
	CC	$P_{c_{0.20}}$	51	53	55	57	61	63	148	216	288	331	358
160	---	$P_{t_{0.40}}$	46	53	61	65	89	104	95	115	129	161	195
	FAN	$P_{f_{0.40}}$	28	32	37	39	56	64	66	86	108	138	171
	CC	$P_{c_{0.20}}$	49	52	54	51	59	61	143	207	280	309	345
180	---	$P_{t_{0.40}}$	45	51	61	69	88	100	93	114	128	158	195
	FAN	$P_{f_{0.40}}$	27	31	37	41	54	61	64	84	105	136	164
	CC	$P_{c_{0.20}}$	48	50	54	54	58	58	139	203	272	303	331
200	---	$P_{t_{0.40}}$	44	50	59	63	84	98	91	110	125	157	188
	FAN	$P_{f_{0.40}}$	27	30	36	38	52	60	62	80	102	130	158
	CC	$P_{c_{0.20}}$	47	49	52	49	55	57	135	195	264	292	319
224	---	$P_{t_{0.40}}$	44	48	58	67	86	95	87	107	120	154	183
	FAN	$P_{f_{0.40}}$	27	29	35	40	53	57	59	77	97	128	152
	CC	$P_{c_{0.20}}$	47	47	51	52	56	55	129	187	250	286	308
250	---	$P_{t_{0.40}}$	43	49	57	61	83	97	85	103	117	145	177
	FAN	$P_{f_{0.40}}$	26	30	34	36	51	59	57	74	94	119	147
	CC	$P_{c_{0.20}}$	45	47	49	47	54	56	124	179	243	267	297
280	---	$P_{t_{0.40}}$	41	47	55	64	79	93	80	98	112	142	169
	FAN	$P_{f_{0.40}}$	25	28	33	38	49	56	54	71	89	117	138
	CC	$P_{c_{0.20}}$	44	45	47	49	51	53	118	171	231	261	279
315	---	$P_{t_{0.40}}$	40	46	53	57	76	89	78	95	109	131	163
	FAN	$P_{f_{0.40}}$	24	28	32	34	47	54	53	68	87	108	133
	CC	$P_{c_{0.20}}$	42	45	46	44	49	51	114	164	225	243	270
355	---	$P_{t_{0.40}}$	39	44	53	60	75	85	75	92	104	128	158
	FAN	$P_{f_{0.40}}$	23	27	32	36	46	51	50	65	83	106	129
	CC	$P_{c_{0.20}}$	41	43	46	46	48	49	109	158	213	238	260
400	---	$P_{t_{0.40}}$	38	43	52	55	72	84	73	88	101	128	153
	FAN	$P_{f_{0.40}}$	23	26	31	33	44	50	49	63	80	106	124
	CC	$P_{c_{0.20}}$	40	42	45	42	46	48	105	152	207	238	251
450	---	$P_{t_{0.40}}$	---	42	---	58	---	80	---	---	---	---	---
	FAN	$P_{f_{0.40}}$	---	25	---	35	---	48	---	---	---	---	---
	CC	$P_{c_{0.20}}$	---	40	---	45	---	46	---	---	---	---	---

Thermal Ratings

# Thermal Rating

## M5 Mounting - 1500 rpm

### @ 20°C = 68°F



Nom. Ratio	Cooling Type		SK 5407/ SK 5507	SK 6407/ SK 6507	SK 7407/ SK 7507	SK 8407/ SK 8507	SK 9407/ SK 9507	SK 10407/ SK 10507	SK 11407/ SK 11507	SK 12407/ SK 12507	SK 13407/ SK 13507	SK 14407/ SK 14507	SK 15407/ SK 15507	
			Thermal Power											
			P <sub>N</sub> [HP]	P <sub>N</sub> [HP]	P <sub>N</sub> [HP]	P <sub>N</sub> [HP]	P <sub>N</sub> [HP]	P <sub>N</sub> [HP]	P <sub>N</sub> [HP]	P <sub>N</sub> [HP]	P <sub>N</sub> [HP]	P <sub>N</sub> [HP]	P <sub>N</sub> [HP]	P <sub>N</sub> [HP]
i <sub>n</sub>														
12.5	---	Pt <sub>0.20</sub>	---	---	---	---	---	---	*	*	*	---	*	
	FAN	P <sub>f.20</sub>	---	---	---	---	---	---	*	*	*	---	*	
	CC	P <sub>c.20</sub>	---	---	---	---	---	---	*	*	*	---	*	
14	---	Pt <sub>0.20</sub>	---	---	---	---	---	---	*	*	*	*	*	
	FAN	P <sub>f.20</sub>	---	---	---	---	---	---	*	*	*	*	*	
	CC	P <sub>c.20</sub>	---	---	---	---	---	---	14	*	*	*	*	
16	---	Pt <sub>0.20</sub>	---	---	---	---	---	---	*	*	*	*	*	
	FAN	P <sub>f.20</sub>	---	---	---	---	---	---	*	*	*	*	*	
	CC	P <sub>c.20</sub>	---	---	---	---	---	---	131	*	*	*	*	
18	---	Pt <sub>0.20</sub>	65	---	31	---	*	---	*	*	*	*	*	
	FAN	P <sub>f.20</sub>	96	---	132	---	172	---	*	*	*	*	*	
	CC	P <sub>c.20</sub>	141	---	159	---	151	---	134	*	*	*	*	
20	---	Pt <sub>0.20</sub>	64	81	33	54	*	*	*	*	*	*	*	
	FAN	P <sub>f.20</sub>	92	106	128	130	168	226	*	*	*	*	*	
	CC	P <sub>c.20</sub>	135	143	154	142	148	184	191	30	*	*	*	
22.4	---	Pt <sub>0.20</sub>	68	78	45	59	*	*	*	*	*	*	*	
	FAN	P <sub>f.20</sub>	90	100	121	138	193	220	*	*	*	*	*	
	CC	P <sub>c.20</sub>	132	135	147	151	174	180	188	37	*	*	*	
25	---	Pt <sub>0.20</sub>	66	83	45	64	*	31	*	*	*	*	*	
	FAN	P <sub>f.20</sub>	86	99	118	120	187	214	8	*	*	*	*	
	CC	P <sub>c.20</sub>	126	134	142	131	168	175	224	120	110	*	*	
28	---	Pt <sub>0.20</sub>	89	80	96	69	129	33	*	*	*	*	*	
	FAN	P <sub>f.20</sub>	72	94	95	128	146	203	12	*	*	*	*	
	CC	P <sub>c.20</sub>	107	127	115	140	131	166	218	119	114	*	*	
31.5	---	Pt <sub>0.20</sub>	86	102	95	107	125	157	31	*	4	*	*	
	FAN	P <sub>f.20</sub>	69	80	92	96	140	161	195	233	371	*	156	
	CC	P <sub>c.20</sub>	102	108	112	105	125	130	349	471	755	72	541	
35.5	---	Pt <sub>0.20</sub>	87	98	95	114	132	151	32	*	11	*	*	
	FAN	P <sub>f.20</sub>	68	76	89	102	138	153	187	225	354	*	161	
	CC	P <sub>c.20</sub>	101	103	108	112	123	124	335	452	723	76	528	
40	---	Pt <sub>0.20</sub>	84	99	93	105	127	158	50	19	72	76	*	
	FAN	P <sub>f.20</sub>	66	76	87	90	131	151	175	221	314	379	263	
	CC	P <sub>c.20</sub>	97	103	105	99	118	122	317	440	659	698	596	
45	---	Pt <sub>0.20</sub>	82	95	92	111	129	152	49	20	73	128	*	
	FAN	P <sub>f.20</sub>	63	72	83	96	127	144	169	211	301	339	258	
	CC	P <sub>c.20</sub>	94	98	101	105	114	116	304	419	634	634	577	
50	---	Pt <sub>0.20</sub>	79	94	90	101	124	154	140	142	139	128	145	
	FAN	P <sub>f.20</sub>	61	70	81	84	121	139	130	168	204	330	366	
	CC	P <sub>c.20</sub>	90	95	98	92	109	113	241	347	450	617	617	
56	---	Pt <sub>0.20</sub>	79	90	112	107	154	148	136	137	137	232	143	
	FAN	P <sub>f.20</sub>	53	67	76	90	108	133	126	161	198	271	351	
	CC	P <sub>c.20</sub>	79	91	92	98	97	107	233	332	437	515	593	
63	---	Pt <sub>0.20</sub>	77	89	109	118	148	175	136	141	143	228	170	
	FAN	P <sub>f.20</sub>	52	59	73	76	104	119	122	157	189	264	333	
	CC	P <sub>c.20</sub>	76	80	89	84	93	96	225	323	418	503	564	
71	---	Pt <sub>0.20</sub>	75	85	106	125	146	168	132	136	140	228	166	
	FAN	P <sub>f.20</sub>	50	57	71	81	101	114	117	150	184	247	320	
	CC	P <sub>c.20</sub>	74	77	86	89	90	92	217	309	405	472	542	
80	---	Pt <sub>0.20</sub>	72	84	103	111	140	166	122	141	145	224	195	
	FAN	P <sub>f.20</sub>	48	55	69	71	96	111	99	129	165	241	263	
	CC	P <sub>c.20</sub>	71	75	83	78	86	89	182	265	362	461	450	
90	---	Pt <sub>0.20</sub>	71	80	99	118	136	159	119	140	144	182	200	
	FAN	P <sub>f.20</sub>	47	53	65	76	93	106	95	125	157	214	253	
	CC	P <sub>c.20</sub>	70	72	79	83	83	85	174	256	345	407	433	
100	---	Pt <sub>0.20</sub>	68	79	96	103	131	154	116	136	141	178	195	
	FAN	P <sub>f.20</sub>	45	52	63	66	89	102	92	120	153	201	245	
	CC	P <sub>c.20</sub>	67	71	77	72	79	82	169	246	336	382	419	

\* Additional Cooling Necessary - Consult Factory



Nom. Ratio	Cooling Type		SK 5407/ SK 5507	SK 6407/ SK 6507	SK 7407/ SK 7507	SK 8407/ SK 8507	SK 9407/ SK 9507	SK 10407/ SK 10507	SK 11407/ SK 11507	SK 12407/ SK 12507	SK 13407/ SK 13507	SK 14407/ SK 14507	SK 15407/ SK 15507
	$i_N$		Thermal Power										
			$P_N$ [HP]	$P_N$ [HP]	$P_N$ [HP]	$P_N$ [HP]	$P_N$ [HP]	$P_N$ [HP]	$P_N$ [HP]	$P_N$ [HP]	$P_N$ [HP]	$P_N$ [HP]	$P_N$ [HP]
112	---	$P_{t0.20}$	61	76	80	110	119	148	120	144	151	175	223
	FAN	$P_{f0.20}$	38	50	50	70	78	98	91	120	150	197	239
	CC	$P_{c0.20}$	57	67	61	77	70	79	168	246	330	374	410
125	---	$P_{t0.20}$	59	68	78	84	115	134	117	139	148	184	216
	FAN	$P_{f0.20}$	37	42	49	52	75	85	88	115	146	190	231
	CC	$P_{c0.20}$	55	57	60	57	67	69	163	237	321	362	396
140	---	$P_{t0.20}$	58	66	75	88	111	129	113	136	143	181	213
	FAN	$P_{f0.20}$	36	41	47	55	72	82	84	111	139	186	222
	CC	$P_{c0.20}$	54	55	58	60	64	66	156	228	305	354	382
160	---	$P_{t0.20}$	56	64	73	79	107	125	110	131	140	172	206
	FAN	$P_{f0.20}$	35	40	46	48	69	79	82	106	135	174	215
	CC	$P_{c0.20}$	52	54	56	53	62	63	151	219	296	331	369
180	---	$P_{t0.20}$	54	62	73	83	105	120	109	131	142	169	211
	FAN	$P_{f0.20}$	34	38	46	51	67	76	79	104	131	170	205
	CC	$P_{c0.20}$	50	52	56	56	60	61	147	214	287	324	352
200	---	$P_{t0.20}$	53	61	71	77	101	118	106	126	138	170	205
	FAN	$P_{f0.20}$	33	38	45	47	65	74	77	100	127	164	198
	CC	$P_{c0.20}$	49	51	55	52	58	60	142	205	279	312	340
224	---	$P_{t0.20}$	53	58	71	81	104	114	102	123	133	167	199
	FAN	$P_{f0.20}$	33	36	44	50	66	71	73	96	121	160	191
	CC	$P_{c0.20}$	49	49	53	55	59	57	135	197	265	305	328
250	---	$P_{t0.20}$	52	60	69	74	99	116	99	118	129	158	193
	FAN	$P_{f0.20}$	32	37	43	45	63	72	71	92	117	150	184
	CC	$P_{c0.20}$	47	50	52	49	56	58	131	189	257	285	316
280	---	$P_{t0.20}$	50	57	66	78	95	112	94	113	124	154	186
	FAN	$P_{f0.20}$	31	35	41	47	60	69	67	88	111	146	172
	CC	$P_{c0.20}$	46	48	50	52	54	56	124	180	244	279	297
315	---	$P_{t0.20}$	49	56	64	69	92	107	91	109	121	142	180
	FAN	$P_{f0.20}$	30	34	40	42	58	66	65	84	108	136	166
	CC	$P_{c0.20}$	44	47	48	46	52	53	120	173	238	259	287
355	---	$P_{t0.20}$	47	54	64	73	90	103	88	106	116	140	175
	FAN	$P_{f0.20}$	29	33	40	44	56	63	62	81	103	133	161
	CC	$P_{c0.20}$	43	45	48	48	50	51	115	166	225	254	277
400	---	$P_{t0.20}$	46	53	63	67	86	101	85	102	113	140	169
	FAN	$P_{f0.20}$	28	32	39	40	54	62	60	78	100	133	155
	CC	$P_{c0.20}$	42	44	47	44	48	50	111	160	219	254	267
450	---	$P_{t0.20}$	---	50	---	71	---	97	---	---	---	---	---
	FAN	$P_{f0.20}$	---	31	---	43	---	59	---	---	---	---	---
	CC	$P_{c0.20}$	---	42	---	47	---	48	---	---	---	---	---

# Thermal Rating

## M5 Mounting - 1500 rpm

### @ 40°C = 104°F



Nom. Ratio	Cooling Type		SK 5407/ SK 5507	SK 6407/ SK 6507	SK 7407/ SK 7507	SK 8407/ SK 8507	SK 9407/ SK 9507	SK 10407/ SK 10507	SK 11407/ SK 11507	SK 12407/ SK 12507	SK 13407/ SK 13507	SK 14407/ SK 14507	SK 15407/ SK 15507
			Thermal Power										
$i_n$			$P_N$ [HP]	$P_N$ [HP]	$P_N$ [HP]	$P_N$ [HP]	$P_N$ [HP]	$P_N$ [HP]	$P_N$ [HP]	$P_N$ [HP]	$P_N$ [HP]	$P_N$ [HP]	$P_N$ [HP]
12.5	---	Pt <sub>0.40</sub>	---	---	---	---	---	---	*	*	*	---	*
	FAN	Pf <sub>0.40</sub>	---	---	---	---	---	---	*	*	*	---	*
	CC	Pc <sub>0.20</sub>	---	---	---	---	---	---	*	*	*	---	*
14	---	Pt <sub>0.40</sub>	---	---	---	---	---	---	*	*	*	*	*
	FAN	Pf <sub>0.40</sub>	---	---	---	---	---	---	*	*	*	*	*
	CC	Pc <sub>0.20</sub>	---	---	---	---	---	---	*	*	*	*	*
16	---	Pt <sub>0.40</sub>	---	---	---	---	---	---	*	*	*	*	*
	FAN	Pf <sub>0.40</sub>	---	---	---	---	---	---	*	*	*	*	*
	CC	Pc <sub>0.20</sub>	---	---	---	---	---	---	65	*	*	*	*
18	---	Pt <sub>0.40</sub>	41	---	*	---	*	---	*	*	*	*	*
	FAN	Pf <sub>0.40</sub>	85	---	116	---	96	---	*	*	*	*	*
	CC	Pc <sub>0.20</sub>	146	---	164	---	107	---	72	*	*	*	*
20	---	Pt <sub>0.40</sub>	40	54	*	18	*	---	*	*	*	*	*
	FAN	Pf <sub>0.40</sub>	81	93	115	118	96	144	*	*	*	*	*
	CC	Pc <sub>0.20</sub>	139	147	161	151	106	135	136	*	*	*	*
22.4	---	Pt <sub>0.40</sub>	45	53	11	20	*	*	*	*	*	*	*
	FAN	Pf <sub>0.40</sub>	79	88	111	126	124	142	*	*	*	*	*
	CC	Pc <sub>0.20</sub>	136	140	155	160	133	133	136	*	*	*	*
25	---	Pt <sub>0.40</sub>	44	58	12	32	*	*	*	*	*	*	*
	FAN	Pf <sub>0.40</sub>	76	87	108	108	121	169	*	*	*	*	*
	CC	Pc <sub>0.20</sub>	130	138	151	138	130	160	176	48	*	*	*
28	---	Pt <sub>0.40</sub>	72	56	73	35	93	*	*	*	*	*	*
	FAN	Pf <sub>0.40</sub>	62	83	82	115	128	164	*	*	*	*	*
	CC	Pc <sub>0.20</sub>	109	131	118	147	135	156	172	51	3	*	*
31.5	---	Pt <sub>0.40</sub>	70	83	72	83	91	117	*	*	*	*	*
	FAN	Pf <sub>0.40</sub>	60	69	80	83	122	140	156	148	252	*	*
	CC	Pc <sub>0.20</sub>	105	111	115	108	129	134	343	427	697	*	442
35.5	---	Pt <sub>0.40</sub>	70	80	74	89	98	114	*	*	*	*	*
	FAN	Pf <sub>0.40</sub>	59	66	77	89	120	134	152	144	247	*	*
	CC	Pc <sub>0.20</sub>	103	105	111	114	127	128	332	410	675	*	433
40	---	Pt <sub>0.40</sub>	68	81	72	83	95	121	*	*	*	*	*
	FAN	Pf <sub>0.40</sub>	57	66	75	78	115	132	161	163	277	325	72
	CC	Pc <sub>0.20</sub>	99	105	108	101	121	125	332	418	676	708	509
45	---	Pt <sub>0.40</sub>	67	77	72	88	98	117	1	*	*	32	*
	FAN	Pf <sub>0.40</sub>	55	62	72	83	111	126	156	157	269	316	76
	CC	Pc <sub>0.20</sub>	95	100	103	108	117	120	320	401	654	668	493
50	---	Pt <sub>0.40</sub>	64	77	70	80	95	120	108	102	90	35	42
	FAN	Pf <sub>0.40</sub>	53	61	70	73	106	121	113	147	179	307	340
	CC	Pc <sub>0.20</sub>	92	97	101	94	112	116	246	354	459	650	652
56	---	Pt <sub>0.40</sub>	66	73	94	85	129	115	106	98	89	165	45
	FAN	Pf <sub>0.40</sub>	46	58	65	78	94	116	109	141	173	240	325
	CC	Pc <sub>0.20</sub>	81	92	94	100	99	110	237	338	446	531	625
63	---	Pt <sub>0.40</sub>	64	75	92	99	124	147	107	103	98	163	83
	FAN	Pf <sub>0.40</sub>	44	51	64	66	90	103	105	136	165	234	302
	CC	Pc <sub>0.20</sub>	78	82	91	86	95	98	229	329	426	518	589
71	---	Pt <sub>0.40</sub>	62	72	89	106	122	141	104	100	96	168	83
	FAN	Pf <sub>0.40</sub>	43	49	61	70	87	99	102	130	161	219	290
	CC	Pc <sub>0.20</sub>	75	78	88	91	92	94	221	315	413	485	566
80	---	Pt <sub>0.40</sub>	60	71	87	94	118	139	98	111	106	165	130
	FAN	Pf <sub>0.40</sub>	42	48	59	62	83	96	86	112	144	213	235
	CC	Pc <sub>0.20</sub>	73	77	85	80	88	91	186	270	369	473	465
90	---	Pt <sub>0.40</sub>	59	68	83	100	114	134	96	111	107	129	138
	FAN	Pf <sub>0.40</sub>	40	46	56	66	80	92	82	109	138	191	225
	CC	Pc <sub>0.20</sub>	71	73	81	85	85	87	178	261	353	420	447
100	---	Pt <sub>0.40</sub>	57	67	81	87	110	130	94	107	104	128	134
	FAN	Pf <sub>0.40</sub>	39	45	55	57	77	88	80	104	134	179	218
	CC	Pc <sub>0.20</sub>	68	72	78	74	81	84	172	251	343	393	432

\* Additional Cooling Necessary - Consult Factory



Nom. Ratio	Cooling Type		SK 5407/ SK 5507	SK 6407/ SK 6507	SK 7407/ SK 7507	SK 8407/ SK 8507	SK 9407/ SK 9507	SK 10407/ SK 10507	SK 11407/ SK 11507	SK 12407/ SK 12507	SK 13407/ SK 13507	SK 14407/ SK 14507	SK 15407/ SK 15507
	$i_N$		Thermal Power										
			$P_N$ [HP]	$P_N$ [HP]	$P_N$ [HP]	$P_N$ [HP]	$P_N$ [HP]	$P_N$ [HP]	$P_N$ [HP]	$P_N$ [HP]	$P_N$ [HP]	$P_N$ [HP]	$P_N$ [HP]
112	---	$P_{t0.40}$	52	64	68	93	101	125	98	115	116	126	165
	FAN	$P_{tF.40}$	33	43	44	61	67	84	79	104	131	175	211
	CC	$P_{tC.20}$	58	69	63	79	71	80	172	251	336	385	422
125	---	$P_{t0.40}$	50	58	66	72	97	114	96	111	113	138	160
	FAN	$P_{tF.40}$	32	37	42	45	65	74	77	100	127	168	204
	CC	$P_{tC.20}$	56	59	61	58	68	70	166	241	327	372	408
140	---	$P_{t0.40}$	49	56	64	75	94	110	93	109	110	135	159
	FAN	$P_{tF.40}$	31	35	41	47	62	71	73	96	121	165	196
	CC	$P_{tC.20}$	55	56	59	61	66	68	159	232	311	364	393
160	---	$P_{t0.40}$	48	55	62	67	90	106	90	105	108	130	154
	FAN	$P_{tF.40}$	30	35	40	42	60	68	71	93	118	154	190
	CC	$P_{tC.20}$	53	55	57	54	63	65	154	223	302	341	379
180	---	$P_{t0.40}$	46	53	62	71	89	102	90	106	110	127	162
	FAN	$P_{tF.40}$	29	33	40	44	58	65	69	90	114	151	180
	CC	$P_{tC.20}$	51	53	57	57	62	62	149	218	293	333	361
200	---	$P_{t0.40}$	45	52	61	65	86	101	87	102	108	130	157
	FAN	$P_{tF.40}$	28	32	39	41	56	64	67	87	111	144	174
	CC	$P_{tC.20}$	50	52	56	53	59	61	145	209	285	320	349
224	---	$P_{t0.40}$	46	50	60	69	88	97	84	100	104	128	153
	FAN	$P_{tF.40}$	28	31	38	43	57	62	64	84	106	141	168
	CC	$P_{tC.20}$	50	50	54	56	60	59	138	201	270	314	336
250	---	$P_{t0.40}$	44	51	59	63	85	99	82	96	101	121	148
	FAN	$P_{tF.40}$	27	32	37	38	55	63	62	80	103	132	162
	CC	$P_{tC.20}$	48	51	53	50	58	60	134	193	263	293	325
280	---	$P_{t0.40}$	43	49	56	67	81	95	78	93	98	119	145
	FAN	$P_{tF.40}$	27	30	35	41	52	60	58	76	97	129	151
	CC	$P_{tC.20}$	47	48	51	53	55	57	127	184	249	287	304
315	---	$P_{t0.40}$	41	48	55	59	78	91	76	89	95	110	140
	FAN	$P_{tF.40}$	26	30	34	36	50	57	57	73	94	120	146
	CC	$P_{tC.20}$	45	48	49	46	53	55	123	177	242	266	294
355	---	$P_{t0.40}$	40	46	55	62	76	88	73	87	92	107	136
	FAN	$P_{tF.40}$	25	28	34	38	49	55	54	71	90	117	141
	CC	$P_{tC.20}$	44	45	49	49	52	52	117	170	230	261	284
400	---	$P_{t0.40}$	39	45	53	57	73	86	71	83	89	107	132
	FAN	$P_{tF.40}$	24	28	33	35	47	54	52	68	87	117	136
	CC	$P_{tC.20}$	42	45	48	45	50	51	113	163	224	261	274
450	---	$P_{t0.40}$	---	43	---	61	---	83	---	---	---	---	---
	FAN	$P_{tF.40}$	---	27	---	37	---	51	---	---	---	---	---
	CC	$P_{tC.20}$	---	43	---	48	---	49	---	---	---	---	---

# Thermal Rating M5 Mounting - 1800 rpm @ 20°C = 68°F



Nom. Ratio	Cooling Type		SK 5407/ SK 5507	SK 6407/ SK 6507	SK 7407/ SK 7507	SK 8407/ SK 8507	SK 9407/ SK 9507	SK 10407/ SK 10507	SK 11407/ SK 11507	SK 12407/ SK 12507	SK 13407/ SK 13507	SK 14407/ SK 14507	SK 15407/ SK 15507
			Thermal Power										
			P <sub>N</sub> [HP]	P <sub>N</sub> [HP]	P <sub>N</sub> [HP]	P <sub>N</sub> [HP]	P <sub>N</sub> [HP]	P <sub>N</sub> [HP]	P <sub>N</sub> [HP]	P <sub>N</sub> [HP]	P <sub>N</sub> [HP]	P <sub>N</sub> [HP]	P <sub>N</sub> [HP]
12.5	---	P <sub>t0.20</sub>	---	---	---	---	---	---	*	*	*	---	*
	FAN	P <sub>f0.20</sub>	---	---	---	---	---	---	*	*	*	---	*
	CC	P <sub>c0.20</sub>	---	---	---	---	---	---	*	*	*	---	*
14	---	P <sub>t0.20</sub>	---	---	---	---	---	---	*	*	*	*	*
	FAN	P <sub>f0.20</sub>	---	---	---	---	---	---	*	*	*	*	*
	CC	P <sub>c0.20</sub>	---	---	---	---	---	---	*	*	*	*	*
16	---	P <sub>t0.20</sub>	---	---	---	---	---	---	*	*	*	*	*
	FAN	P <sub>f0.20</sub>	---	---	---	---	---	---	*	*	*	*	*
	CC	P <sub>c0.20</sub>	---	---	---	---	---	---	*	*	*	*	*
18	---	P <sub>t0.20</sub>	23	---	*	---	*	---	*	*	*	*	*
	FAN	P <sub>f0.20</sub>	109	---	102	---	25	---	*	*	*	*	*
	CC	P <sub>c0.20</sub>	158	---	132	---	*	---	*	*	*	*	*
20	---	P <sub>t0.20</sub>	24	40	*	*	*	*	*	*	*	*	*
	FAN	P <sub>f0.20</sub>	104	118	102	131	31	91	*	*	*	*	*
	CC	P <sub>c0.20</sub>	151	158	131	144	3	37	*	*	*	*	*
22.4	---	P <sub>t0.20</sub>	33	40	*	*	*	*	*	*	*	*	*
	FAN	P <sub>f0.20</sub>	100	112	116	141	80	94	*	*	*	*	*
	CC	P <sub>c0.20</sub>	146	150	144	155	55	43	*	*	*	*	*
25	---	P <sub>t0.20</sub>	32	49	*	*	*	*	*	*	*	*	*
	FAN	P <sub>f0.20</sub>	96	109	114	141	80	137	*	*	*	*	*
	CC	P <sub>c0.20</sub>	140	147	141	153	57	92	*	*	*	*	*
28	---	P <sub>t0.20</sub>	80	48	75	*	86	*	*	*	*	*	*
	FAN	P <sub>f0.20</sub>	77	104	101	151	159	135	*	*	*	*	*
	CC	P <sub>c0.20</sub>	113	139	123	164	143	92	*	*	*	*	*
31.5	---	P <sub>t0.20</sub>	77	93	75	89	85	116	*	*	*	*	*
	FAN	P <sub>f0.20</sub>	74	85	99	102	152	174	132	102	191	*	*
	CC	P <sub>c0.20</sub>	109	115	120	112	137	141	302	366	627	*	86
35.5	---	P <sub>t0.20</sub>	79	90	78	95	97	113	*	*	*	*	*
	FAN	P <sub>f0.20</sub>	73	81	95	109	149	166	130	102	191	*	*
	CC	P <sub>c0.20</sub>	107	110	116	119	133	134	294	353	609	*	102
40	---	P <sub>t0.20</sub>	76	91	76	90	94	125	*	*	*	*	*
	FAN	P <sub>f0.20</sub>	70	80	93	96	142	163	148	134	249	286	*
	CC	P <sub>c0.20</sub>	103	109	113	105	128	131	303	374	633	646	269
45	---	P <sub>t0.20</sub>	75	88	77	95	100	121	*	*	*	*	*
	FAN	P <sub>f0.20</sub>	67	77	89	102	137	155	144	131	243	336	*
	CC	P <sub>c0.20</sub>	99	104	108	112	123	125	293	359	613	664	267
50	---	P <sub>t0.20</sub>	73	87	76	88	97	127	114	94	66	*	*
	FAN	P <sub>f0.20</sub>	65	75	86	90	131	150	139	181	222	332	373
	CC	P <sub>c0.20</sub>	95	101	105	98	117	121	256	371	483	650	652
56	---	P <sub>t0.20</sub>	78	84	110	94	149	122	112	91	67	147	*
	FAN	P <sub>f0.20</sub>	56	71	80	95	115	143	134	174	216	301	363
	CC	P <sub>c0.20</sub>	84	96	97	105	103	116	247	355	469	566	632
63	---	P <sub>t0.20</sub>	75	88	108	117	144	172	115	100	82	146	*
	FAN	P <sub>f0.20</sub>	54	63	78	81	110	126	129	168	205	294	393
	CC	P <sub>c0.20</sub>	81	85	95	89	98	102	238	344	447	553	648
71	---	P <sub>t0.20</sub>	74	85	105	124	143	165	112	97	81	160	*
	FAN	P <sub>f0.20</sub>	53	60	75	86	107	121	125	161	199	273	380
	CC	P <sub>c0.20</sub>	78	81	91	95	96	97	230	330	434	515	626
80	---	P <sub>t0.20</sub>	71	83	102	111	137	164	109	117	99	158	94
	FAN	P <sub>f0.20</sub>	51	58	73	75	102	117	105	138	179	266	299
	CC	P <sub>c0.20</sub>	75	79	88	83	91	95	193	283	389	503	501
90	---	P <sub>t0.20</sub>	70	80	98	118	134	157	108	119	103	114	111
	FAN	P <sub>f0.20</sub>	50	56	69	81	98	112	101	133	171	240	285
	CC	P <sub>c0.20</sub>	73	76	84	88	88	91	185	273	371	449	480
100	---	P <sub>t0.20</sub>	68	79	95	103	129	153	105	115	101	117	109
	FAN	P <sub>f0.20</sub>	48	55	67	70	94	108	98	128	166	225	275
	CC	P <sub>c0.20</sub>	71	75	81	76	84	87	180	263	361	420	464

\* Additional Cooling Necessary - Consult Factory





Nom. Ratio	Cooling Type		SK 5407/ SK 5507	SK 6407/ SK 6507	SK 7407/ SK 7507	SK 8407/ SK 8507	SK 9407/ SK 9507	SK 10407/ SK 10507	SK 11407/ SK 11507	SK 12407/ SK 12507	SK 13407/ SK 13507	SK 14407/ SK 14507	SK 15407/ SK 15507
			Thermal Power										
$i_N$			$P_N$ [HP]	$P_N$ [HP]	$P_N$ [HP]	$P_N$ [HP]	$P_N$ [HP]	$P_N$ [HP]	$P_N$ [HP]	$P_N$ [HP]	$P_N$ [HP]	$P_N$ [HP]	$P_N$ [HP]
112	---	$P_{t0.20}$	62	76	81	110	119	147	112	127	119	115	158
	FAN	$P_{f0.20}$	40	53	53	74	82	103	97	128	161	220	263
	CC	$P_{c0.20}$	60	71	65	81	74	83	178	262	352	412	448
125	---	$P_{t0.20}$	60	69	79	86	115	135	109	123	116	135	154
	FAN	$P_{f0.20}$	39	45	52	55	79	90	94	123	157	210	254
	CC	$P_{c0.20}$	58	61	63	60	71	73	173	252	343	395	433
140	---	$P_{t0.20}$	59	67	76	90	111	130	106	121	114	133	155
	FAN	$P_{f0.20}$	38	43	50	58	76	87	90	118	149	205	245
	CC	$P_{c0.20}$	56	58	61	63	68	70	165	242	326	387	417
160	---	$P_{t0.20}$	57	66	75	81	107	126	103	117	112	129	151
	FAN	$P_{f0.20}$	37	42	49	51	73	83	87	114	145	192	236
	CC	$P_{c0.20}$	55	57	59	56	65	67	160	233	317	362	402
180	---	$P_{t0.20}$	55	63	74	85	106	121	103	119	117	126	166
	FAN	$P_{f0.20}$	36	41	49	54	71	80	84	111	140	188	223
	CC	$P_{c0.20}$	53	55	59	59	64	65	155	227	307	354	382
200	---	$P_{t0.20}$	54	62	73	78	102	120	100	115	114	134	161
	FAN	$P_{f0.20}$	35	40	47	50	69	78	82	106	137	180	216
	CC	$P_{c0.20}$	51	54	58	54	61	63	150	218	298	339	369
224	---	$P_{t0.20}$	55	60	72	83	105	115	97	112	111	131	158
	FAN	$P_{f0.20}$	35	38	46	52	70	75	78	102	130	176	208
	CC	$P_{c0.20}$	52	52	56	57	62	61	143	210	283	332	355
250	---	$P_{t0.20}$	53	61	70	76	100	118	94	108	108	125	153
	FAN	$P_{f0.20}$	34	39	45	47	67	77	76	98	126	164	201
	CC	$P_{c0.20}$	50	52	55	52	60	62	139	201	276	310	343
280	---	$P_{t0.20}$	51	59	68	80	96	113	90	105	105	122	152
	FAN	$P_{f0.20}$	33	37	43	50	64	73	71	93	119	161	187
	CC	$P_{c0.20}$	48	50	52	55	57	59	132	192	261	304	320
315	---	$P_{t0.20}$	50	57	66	71	93	109	87	101	103	113	147
	FAN	$P_{f0.20}$	32	36	42	44	61	70	69	90	116	149	181
	CC	$P_{c0.20}$	47	49	51	48	55	57	127	184	254	282	310
355	---	$P_{t0.20}$	48	55	66	75	91	104	84	98	99	111	144
	FAN	$P_{f0.20}$	31	35	42	46	60	67	66	86	110	146	174
	CC	$P_{c0.20}$	45	47	51	51	53	54	122	177	241	276	299
400	---	$P_{t0.20}$	47	54	64	69	87	103	82	94	97	111	139
	FAN	$P_{f0.20}$	30	34	41	43	57	66	64	83	107	146	168
	CC	$P_{c0.20}$	44	46	50	47	51	53	118	170	234	276	289
450	---	$P_{t0.20}$	---	52	---	73	---	98	---	---	---	---	---
	FAN	$P_{f0.20}$	---	33	---	45	---	63	---	---	---	---	---
	CC	$P_{c0.20}$	---	44	---	50	---	51	---	---	---	---	---

# Thermal Rating

## M5 Mounting - 1800 rpm

### @ 40°C = 104°F



Nom. Ratio	Cooling Type		SK 5407/ SK 5507	SK 6407/ SK 6507	SK 7407/ SK 7507	SK 8407/ SK 8507	SK 9407/ SK 9507	SK 10407/ SK 10507	SK 11407/ SK 11507	SK 12407/ SK 12507	SK 13407/ SK 13507	SK 14407/ SK 14507	SK 15407/ SK 15507
			Thermal Power										
$i_n$			$P_N$ [HP]	$P_N$ [HP]	$P_N$ [HP]	$P_N$ [HP]	$P_N$ [HP]	$P_N$ [HP]	$P_N$ [HP]	$P_N$ [HP]	$P_N$ [HP]	$P_N$ [HP]	$P_N$ [HP]
12.5	---	Pt <sub>0.40</sub>	---	---	---	---	---	---	*	*	*	---	*
	FAN	P <sub>f,40</sub>	---	---	---	---	---	---	*	*	*	---	*
	CC	P <sub>i,c,20</sub>	---	---	---	---	---	---	*	*	*	---	*
14	---	Pt <sub>0.40</sub>	---	---	---	---	---	---	*	*	*	*	*
	FAN	P <sub>f,40</sub>	---	---	---	---	---	---	*	*	*	*	*
	CC	P <sub>i,c,20</sub>	---	---	---	---	---	---	*	*	*	*	*
16	---	Pt <sub>0.40</sub>	---	---	---	---	---	---	*	*	*	*	*
	FAN	P <sub>f,40</sub>	---	---	---	---	---	---	*	*	*	*	*
	CC	P <sub>i,c,20</sub>	---	---	---	---	---	---	*	*	*	*	*
18	---	Pt <sub>0.40</sub>	*	---	*	---	*	---	*	*	*	*	*
	FAN	P <sub>f,40</sub>	93	---	47	---	*	---	*	*	*	*	*
	CC	P <sub>i,c,20</sub>	159	---	102	---	*	---	*	*	*	*	*
20	---	Pt <sub>0.40</sub>	*	7	*	*	*	*	*	*	*	*	*
	FAN	P <sub>f,40</sub>	90	109	49	77	*	*	*	*	*	*	*
	CC	P <sub>i,c,20</sub>	154	167	102	114	*	*	*	*	*	*	*
22.4	---	Pt <sub>0.40</sub>	4	8	*	*	*	*	*	*	*	*	*
	FAN	P <sub>f,40</sub>	92	103	66	84	*	*	*	*	*	*	*
	CC	P <sub>i,c,20</sub>	154	159	116	123	*	*	*	*	*	*	*
25	---	Pt <sub>0.40</sub>	5	19	*	*	*	*	*	*	*	*	*
	FAN	P <sub>f,40</sub>	89	99	66	92	*	46	*	*	*	*	*
	CC	P <sub>i,c,20</sub>	148	154	114	125	4	34	*	*	*	*	*
28	---	Pt <sub>0.40</sub>	61	19	50	*	45	*	*	*	*	*	*
	FAN	P <sub>f,40</sub>	67	94	89	98	142	49	*	*	*	*	*
	CC	P <sub>i,c,20</sub>	116	146	127	134	150	38	*	*	*	*	*
31.5	---	Pt <sub>0.40</sub>	59	72	50	63	46	72	*	*	*	*	*
	FAN	P <sub>f,40</sub>	64	74	86	90	136	153	51	*	29	*	*
	CC	P <sub>i,c,20</sub>	112	118	123	115	143	146	262	318	559	*	*
35.5	---	Pt <sub>0.40</sub>	61	70	54	68	60	72	*	*	*	*	*
	FAN	P <sub>f,40</sub>	63	70	83	95	131	146	52	*	37	*	*
	CC	P <sub>i,c,20</sub>	110	112	119	123	139	140	255	307	545	*	*
40	---	Pt <sub>0.40</sub>	59	72	54	66	59	85	*	*	*	*	*
	FAN	P <sub>f,40</sub>	61	70	81	84	125	143	76	43	119	129	*
	CC	P <sub>i,c,20</sub>	105	111	116	108	133	136	266	330	573	572	158
45	---	Pt <sub>0.40</sub>	59	69	55	70	67	83	*	*	*	*	*
	FAN	P <sub>f,40</sub>	58	67	77	89	120	136	75	44	119	199	*
	CC	P <sub>i,c,20</sub>	102	106	111	115	127	130	258	317	555	596	161
50	---	Pt <sub>0.40</sub>	57	69	54	66	65	90	80	49	7	*	*
	FAN	P <sub>f,40</sub>	56	65	75	78	115	131	121	160	201	198	226
	CC	P <sub>i,c,20</sub>	98	103	108	101	122	125	262	380	500	585	578
56	---	Pt <sub>0.40</sub>	64	66	91	70	122	87	79	48	9	67	*
	FAN	P <sub>f,40</sub>	49	62	69	83	99	125	117	154	195	275	222
	CC	P <sub>i,c,20</sub>	85	98	99	107	105	119	253	364	485	591	560
63	---	Pt <sub>0.40</sub>	62	73	89	97	118	141	83	59	30	68	*
	FAN	P <sub>f,40</sub>	47	54	67	70	95	109	113	148	183	268	260
	CC	P <sub>i,c,20</sub>	82	86	97	91	101	104	243	353	460	577	579
71	---	Pt <sub>0.40</sub>	61	70	87	104	117	136	81	57	30	90	*
	FAN	P <sub>f,40</sub>	45	52	65	75	92	105	109	142	178	246	253
	CC	P <sub>i,c,20</sub>	80	83	93	97	98	100	235	338	447	534	560
80	---	Pt <sub>0.40</sub>	59	69	85	92	113	135	83	84	55	90	4
	FAN	P <sub>f,40</sub>	44	50	63	65	88	102	92	121	159	240	285
	CC	P <sub>i,c,20</sub>	77	81	90	85	94	97	197	289	400	522	537
90	---	Pt <sub>0.40</sub>	58	66	81	98	111	130	83	87	61	49	31
	FAN	P <sub>f,40</sub>	43	48	60	70	85	97	88	117	151	221	265
	CC	P <sub>i,c,20</sub>	75	77	86	90	90	93	189	279	381	470	508
100	---	Pt <sub>0.40</sub>	56	66	79	86	106	127	81	84	60	57	32
	FAN	P <sub>f,40</sub>	41	47	58	60	81	94	85	113	147	205	256
	CC	P <sub>i,c,20</sub>	72	76	83	78	86	89	184	269	371	439	491

\* Additional Cooling Necessary - Consult Factory



Nom. Ratio	Cooling Type		SK 5407/ SK 5507	SK 6407/ SK 6507	SK 7407/ SK 7507	SK 8407/ SK 8507	SK 9407/ SK 9507	SK 10407/ SK 10507	SK 11407/ SK 11507	SK 12407/ SK 12507	SK 13407/ SK 13507	SK 14407/ SK 14507	SK 15407/ SK 15507
			Thermal Power										
$i_N$			$P_N$ [HP]	$P_N$ [HP]	$P_N$ [HP]	$P_N$ [HP]	$P_N$ [HP]	$P_N$ [HP]	$P_N$ [HP]	$P_N$ [HP]	$P_N$ [HP]	$P_N$ [HP]	$P_N$ [HP]
112	---	Pt <sub>0.40</sub>	52	63	68	92	100	122	88	97	80	57	91
	FAN	P <sub>f,40</sub>	35	45	46	64	71	89	84	112	142	201	237
	CC	P <sub>c,20</sub>	61	73	66	83	75	85	182	268	361	430	465
125	---	Pt <sub>0.40</sub>	51	58	67	72	96	113	86	93	78	82	89
	FAN	P <sub>f,40</sub>	34	38	45	47	69	78	82	107	138	189	229
	CC	P <sub>c,20</sub>	59	62	64	61	72	75	176	257	351	410	450
140	---	Pt <sub>0.40</sub>	49	56	64	76	93	109	84	93	78	80	93
	FAN	P <sub>f,40</sub>	33	37	43	50	66	75	78	104	132	185	220
	CC	P <sub>c,20</sub>	57	59	62	64	69	72	169	248	334	401	432
160	---	Pt <sub>0.40</sub>	48	55	63	68	90	106	82	89	76	79	91
	FAN	P <sub>f,40</sub>	32	36	42	44	63	72	76	99	128	173	212
	CC	P <sub>c,20</sub>	56	58	60	57	67	69	164	238	325	375	417
180	---	Pt <sub>0.40</sub>	47	53	63	72	89	102	83	93	83	78	111
	FAN	P <sub>f,40</sub>	31	35	42	47	62	69	73	97	123	169	199
	CC	P <sub>c,20</sub>	54	56	60	60	65	66	158	232	314	368	394
200	---	Pt <sub>0.40</sub>	45	52	61	66	85	101	80	89	81	88	108
	FAN	P <sub>f,40</sub>	30	34	41	43	59	68	71	93	120	161	192
	CC	P <sub>c,20</sub>	52	55	59	55	63	65	153	223	305	351	381
224	---	Pt <sub>0.40</sub>	46	50	61	70	88	97	78	87	79	87	107
	FAN	P <sub>f,40</sub>	30	33	40	45	60	65	68	90	114	157	185
	CC	P <sub>c,20</sub>	53	53	57	59	64	62	146	214	290	344	367
250	---	Pt <sub>0.40</sub>	45	52	60	64	85	100	75	84	77	83	103
	FAN	P <sub>f,40</sub>	29	33	39	41	58	66	66	86	111	147	179
	CC	P <sub>c,20</sub>	51	53	56	53	61	63	142	206	282	321	354
280	---	Pt <sub>0.40</sub>	43	50	57	68	81	96	73	82	77	82	107
	FAN	P <sub>f,40</sub>	28	32	37	43	55	64	62	81	105	144	165
	CC	P <sub>c,20</sub>	49	51	53	56	58	61	134	196	267	315	330
315	---	Pt <sub>0.40</sub>	42	49	56	60	78	92	71	79	75	76	103
	FAN	P <sub>f,40</sub>	27	31	36	38	53	61	60	78	102	132	160
	CC	P <sub>c,20</sub>	48	50	52	49	56	58	130	188	259	291	319
355	---	Pt <sub>0.40</sub>	41	47	56	64	77	88	68	77	72	75	101
	FAN	P <sub>f,40</sub>	26	30	36	40	52	58	58	76	97	130	154
	CC	P <sub>c,20</sub>	46	48	52	52	55	55	124	181	247	285	308
400	---	Pt <sub>0.40</sub>	39	46	54	58	74	87	66	75	71	75	98
	FAN	P <sub>f,40</sub>	26	29	35	37	50	57	56	73	94	130	149
	CC	P <sub>c,20</sub>	45	47	50	48	52	54	120	174	240	285	297
450	---	Pt <sub>0.40</sub>	---	44	---	62	---	83	---	---	---	---	---
	FAN	P <sub>f,40</sub>	---	28	---	39	---	54	---	---	---	---	---
	CC	P <sub>c,20</sub>	---	45	---	50	---	52	---	---	---	---	---





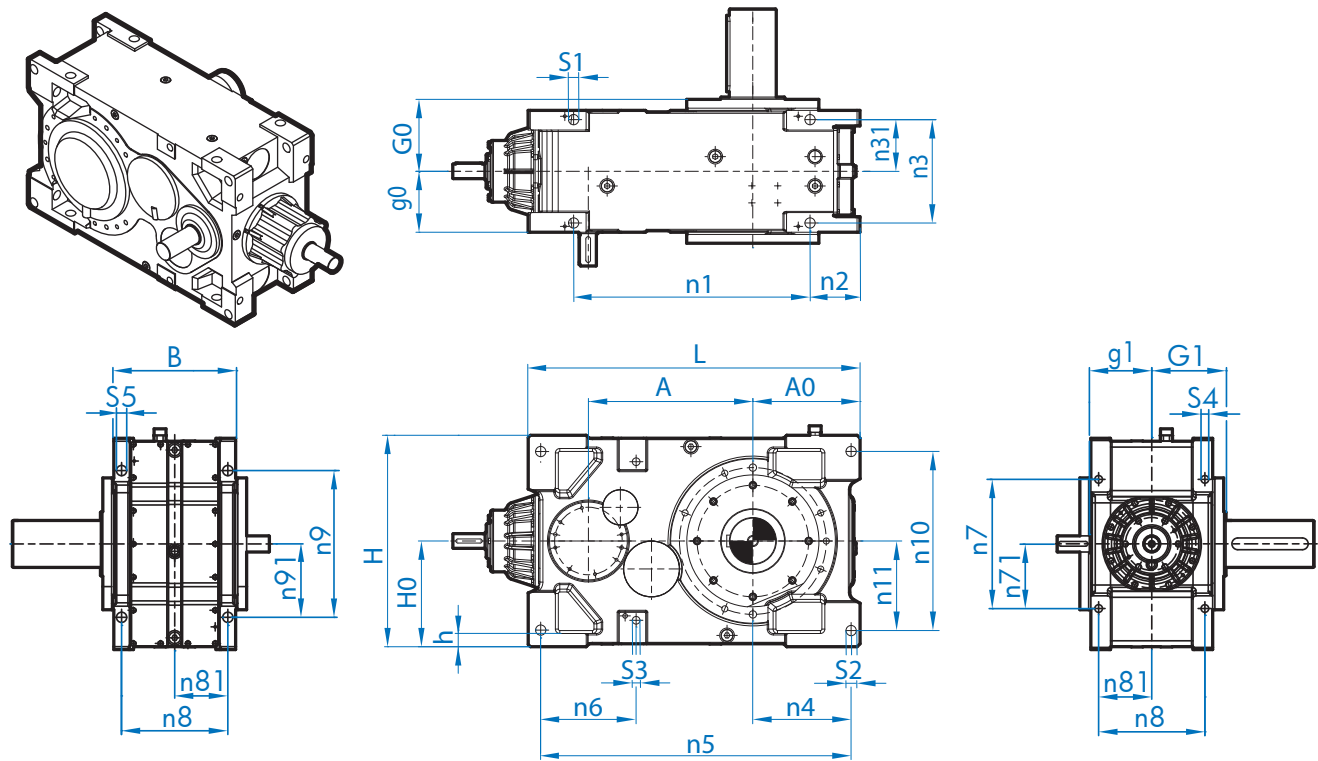
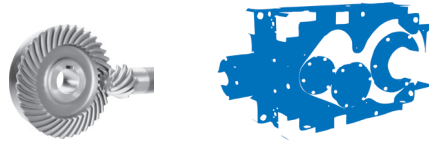
**DRIVESYSTEMS**

# Right-Angle Dimensions

---

<b>Dimensional Overview</b> .....	<b>220</b>
<b>Shaft Size Dimension Overview</b> .....	<b>221</b>
<b>SK 5407 / 5507</b> .....	<b>222</b>
<b>SK 6407 / 6507</b> .....	<b>224</b>
<b>SK 7407 / 7507</b> .....	<b>226</b>
<b>SK 8407 / 8507</b> .....	<b>228</b>
<b>SK 9407 / 9507</b> .....	<b>230</b>
<b>SK 10407 / 10507</b> .....	<b>232</b>
<b>SK 11407 / 11507</b> .....	<b>234</b>
<b>SK 12407 / 12507</b> .....	<b>236</b>
<b>SK 13407 / 13507</b> .....	<b>238</b>
<b>SK 14407 / 14507</b> .....	<b>240</b>
<b>SK 15407 / 15507</b> .....	<b>242</b>
<b>Optional Shaft</b> .....	<b>244</b>
<b>Accessory Option</b> .....	<b>247</b>

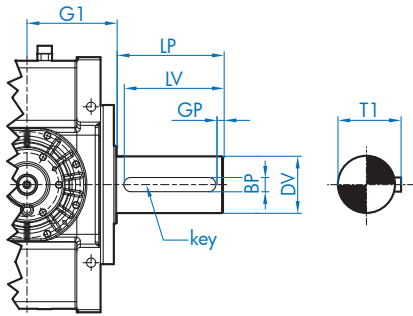
# Overview Dimension



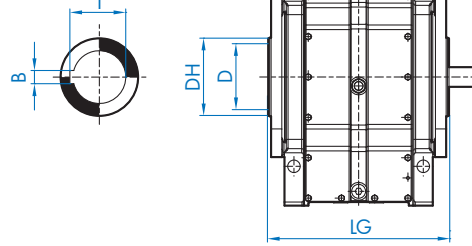
	OVERALL DIMENSIONS											MOUNTING HOLE DIM.			↗
	A	A0	B	g0	G0	g1	G1	h	H	H0	L	∅ S1/S2	S4/S5	S3	
<b>SK 5.07</b>	377	230	345	172,5	172,5	182,5	192,5	30	455	227,5	730	28	M24 x 40	M24 x 36	220
<b>SK 6.07</b>	407	255	345	172,5	172,5	182,5	192,5	30	495	247,5	780	28	M24 x 40	M24 x 36	222
<b>SK 7.07</b>	440	295	350	175	189	179	197 (215)*	35	530	265	870	28	M24 x 30	M24	226
<b>SK 8.07</b>	465	325	350	175	189	179	197 (215)*	35	590	295	925	28	M24 x 30	M24	228
<b>SK 9.07</b>	530	330	415	207,5	248	212,5	253	45	650	325	1055	35	M30 x 45	M30	230
<b>SK 10.07</b>	560	365	415	207,5	248	212,5	253	45	720	360	1130	35	M30 x 45	M30	232
<b>SK 11.07</b>	630	370	440	254	270	260	280	52	750	375	1210	42	M36 x 58	M36	234
<b>SK 12.07</b>	695	405	510	288,5	305	294	315	57	850	425	1345	48	M42 x 65	M42	236
<b>SK 13.07</b>	780	475	550	323	343	328	353	60	950	475	1530	55	M48 x 75	M48	238
<b>SK 14.07</b>	835	505	610	325	373	355	383	55	1050	525	1615	55	M48 x 75	M48	240
<b>SK 15.07</b>	935	545	650	361	385	371	395	70	1100	550	1800	65	M56 x 90	M56	242

	CENTER DISTANCE DIMENSIONS															↗
	n1	n2	n3	n31	n4	n5	n6	n7	n71	n8	n81	n9	n91	n10	n11	
<b>SK 5.07</b>	490	125	295	147,5	205	680	196	320	160	295	147,5	320	160	400	200	220
<b>SK 6.07</b>	530	130	295	147,5	230	730	196	320	160	295	147,5	320	160	400	200	222
<b>SK 7.07</b>	590	160	305	152,5	270	820	220	380	190	300	150	380	190	460	230	226
<b>SK 8.07</b>	645	160	305	152,5	300	875	220	440	220	300	150	380	190	540	270	228
<b>SK 9.07</b>	730	175	352	176	302,5	995	325	440	220	362	181	440	220	540	270	230
<b>SK 10.07</b>	805	170	352	176	335	1057	325	500	250	362	181	440	220	640	320	232
<b>SK 11.07</b>	850	217,5	370	185	330	1130	340	520	260	385	192,5	520	260	670	335	234
<b>SK 12.07</b>	930	257,5	430	215	365	1265	410	600	300	440	220	600	300	770	385	236
<b>SK 13.07</b>	1050	290	465	232,5	425	1430	450	700	350	475	237,5	700	350	850	425	238
<b>SK 14.07</b>	1100	295	525	262,5	455	1515	150	780	390	535	267,5	700	350	950	475	240
<b>SK 15.07</b>	1230	345	550	275	490	1690	530	800	400	560	280	800	400	990	495	242

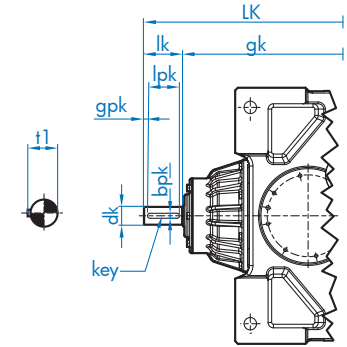
\* values in brackets at option „DRY“



**Solid Output Shaft**



**Hollow Shaft**



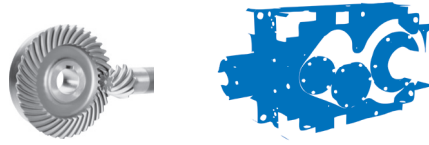
**Solid Input Shaft**

	SOLID OUTPUT SHAFT						HOLLOW SHAFT						
	DV	LV	LP	BP	GP	T1	Passfeder	ø D	ø DH <sup>H7</sup>	LG	B	T	⇒
SK 5.07	120	210	180	32	15	127	32 x 18 x 180	140	105	385	28	111,4	220
SK 6.07	120	210	180	32	15	127	32 x 18 x 180	140	105	385	28	111,4	222
SK 7.07	140	250	200	36	25	148	36 x 20 x 200	160	125	394	32	132,4	226
SK 8.07	140	250	200	36	25	148	36 x 20 x 200	160	125	394	32	132,4	228
SK 9.07	160	300	260	40	20	169	40 x 20 x 260	220	160 (145)*	506	40	169,4	230
SK 10.07	160	300	260	40	20	169	40 x 20 x 260	220	160 (145)*	506	40	169,4	232
SK 11.07	170	300	260	40	20	179	40 x 22 x 260	240	170	560	40	179,4	234
SK 12.07	200	350	300	45	25	210	45 x 25 x 300	250	190	630	45	200,4	236
SK 13.07	230	410	350	50	31	241	50 x 28 x 350	285	230	706	50	241,4	238
SK 14.07	250	410	360	56	25	262	56 x 32 x 360	285	230	766	50	241,4	240
SK 15.07	250	410	360	56	25	262	56 x 32 x 360	320	250	790	56	262,4	242

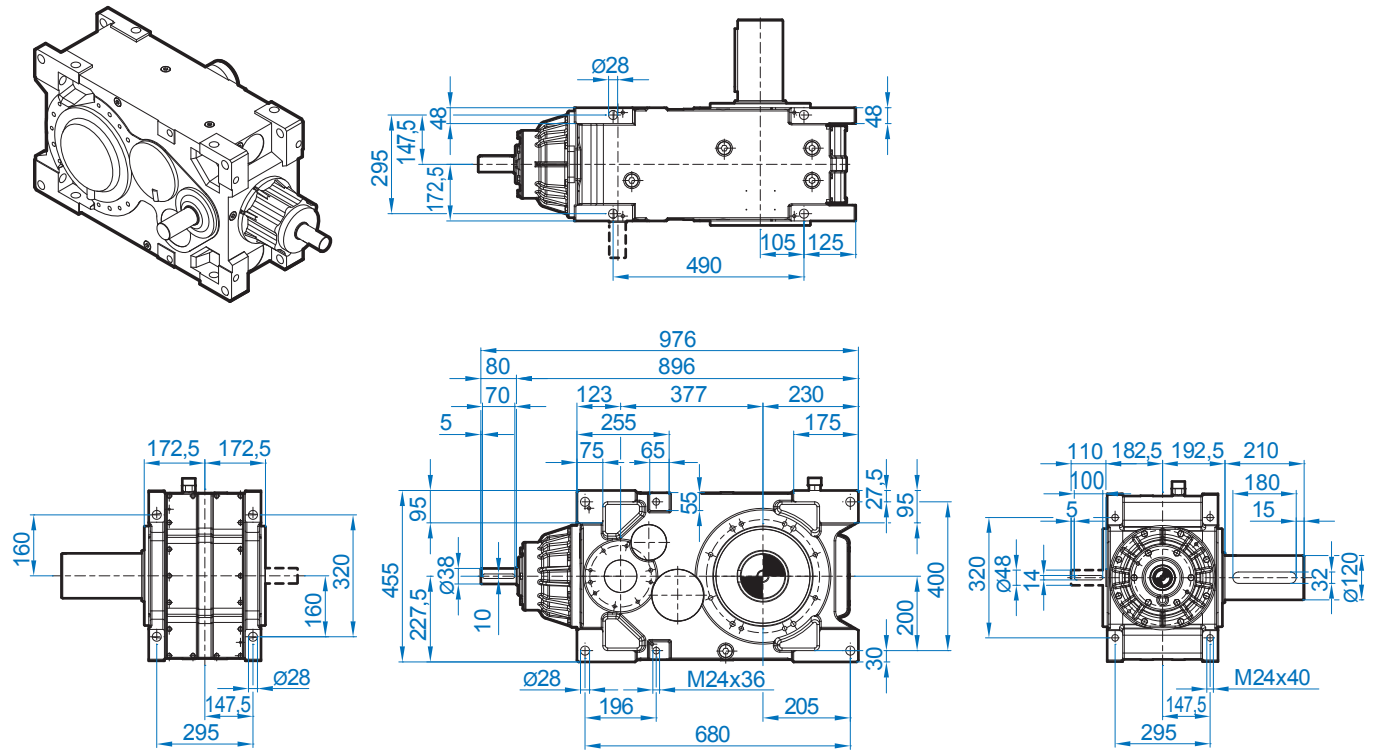
	SK..407 SOLID INPUT SHAFT										SK..507 SOLID INPUT SHAFT										
	i <sub>N</sub>	LK	gk	dk	lk	lpk	bpk	t1	gpk	Passfeder	i <sub>N</sub>	LK	gk	dk	lk	lpk	bpk	t1	gpk	Passfeder	⇒
SK 5.07	18 -100	976	896	ø 38	80	70	10	41,0	5,0	10 x 8 x 70	112 - 400	908	848	ø 28	60	50	8	31,0	5,0	8 x 7 x 50	220
SK 6.07	20 -112	1026	946	ø 38	80	70	10	41,0	5,0	10 x 8 x 70	125 - 450	958	898	ø 28	60	50	8	31,0	5,0	8 x 7 x 50	222
SK 7.07	18 - 50	1167	1057	ø 48	110	100	14	51,5	5,0	14 x 9 x 100	112 - 400	1065	1005	ø 28	60	50	8	31,0	5,0	8 x 7 x 50	226
	56 -100	1137	1057	ø 38	80	70	10	41,0	5,0	10 x 8 x 70											
SK 8.07	20 - 56	1222	1112	ø 48	110	100	14	51,5	5,0	14 x 9 x 100	125 - 450	1120	1060	ø 28	60	50	8	31,0	5,0	8 x 7 x 50	228
	63 -112	1192	1112	ø 38	80	70	10	41,0	5,0	10 x 8 x 70											
SK 9.07	18 - 50	1322	1212	ø 50	110	90	14	54,5	10,0	14 x 9 x 90	112 - 400	1262	1182	ø 38	80	70	10	41,0	5,0	10 x 8 x 70	230
	56 -100	1312	1212	ø 40	100	80	12	43,0	10,0	12 x 8 x 80											
SK 10.07	20 - 56	1387	1277	ø 50	110	90	14	54,5	10,0	14 x 9 x 90	125 - 450	1337	1257	ø 38	80	70	10	41,0	5,0	10 x 8 x 70	232
	63 -112	1377	1277	ø 40	100	80	12	43,0	10,0	12 x 8 x 80											
SK 11.07	12,6 - 45	1564	1424	ø 70	140	125	20	74,5	7,5	20 x 12 x 125	80 - 400	1481	1371	ø 50	110	90	14	54,5	10,0	14 x 9 x 90	234
	50 - 71	1534	1424	ø 50	110	90	14	54,5	10,0	14 x 9 x 90											
SK 12.07	12,6 - 45	1782	1612	ø 80	170	140	22	85,0	15,0	22 x 14 x 140	80 - 400	1634	1524	ø 50	110	90	14	54,5	10,0	14 x 9 x 90	236
	50 - 71	1752	1612	ø 70	140	125	20	74,5	7,5	20 x 12 x 125											
SK 13.07	12,6 - 45	1997	1827	ø 80	170	140	22	85,0	15,0	22 x 14 x 140	80 - 400	1907	1767	ø 70	140	125	20	74,5	7,5	20 x 12 x 125	238
	50 - 71	1967	1827	ø 70	140	125	20	74,5	7,5	20 x 12 x 125											
SK 14.07	20 - 50	2082	1912	ø 80	170	140	22	85,0	15,0	22 x 14 x 140	100 - 400	2052	1912	ø 70	140	125	20	74,5	7,5	20 x 12 x 125	240
	55 - 90	2052	1912	ø 70	140	125	20	74,5	7,5	20 x 12 x 125											
SK 15.07	12,6 - 45	2332	2132	ø 100	210	180	28	106	15,0	28 x 16 x 180	80 - 400	2192	2052	ø 70	140	125	20	74,5	7,5	20 x 12 x 125	242
	50 - 71	2302	2132	ø 80	170	140	22	85,0	15,0	22 x 14 x 140											

\* values in brackets at option „DRY“

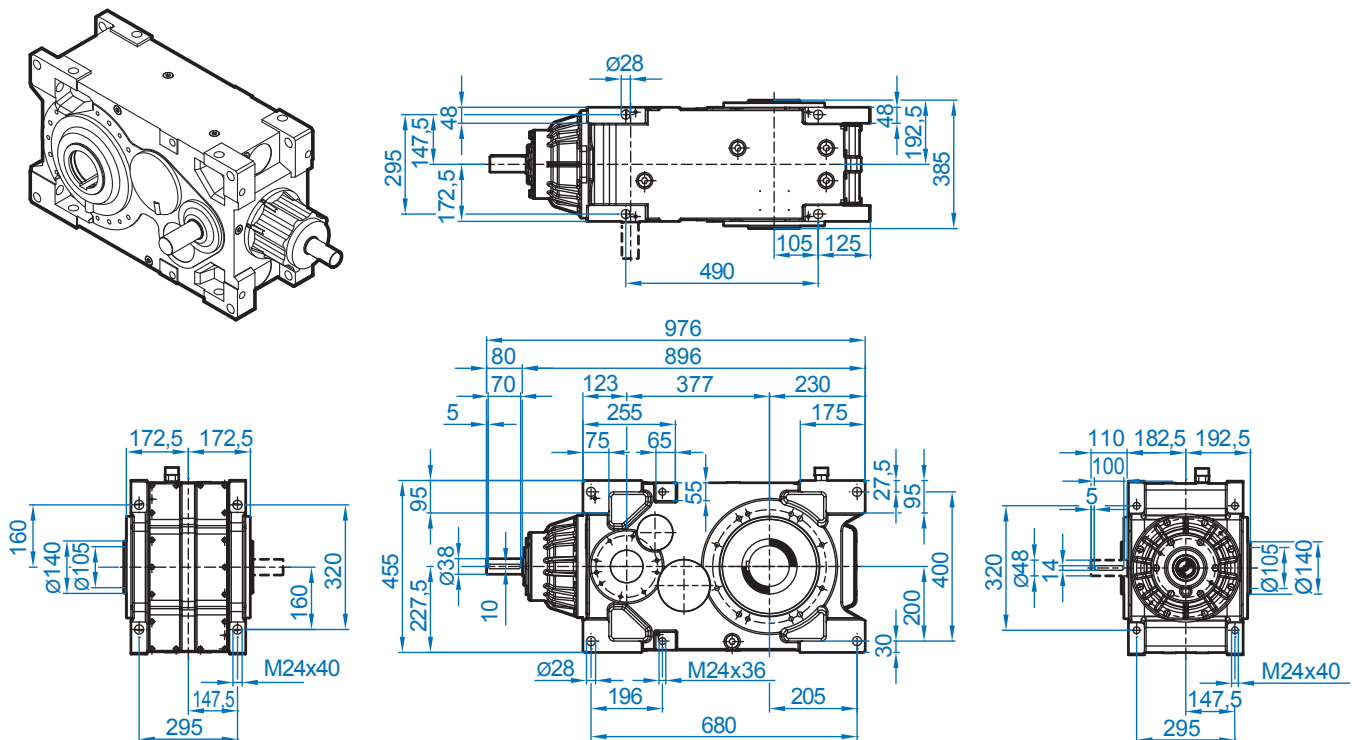
# SK 5407 / SK 5507



## SK 5407 / 5507 V \*



## SK 5407 / 5507 A \*



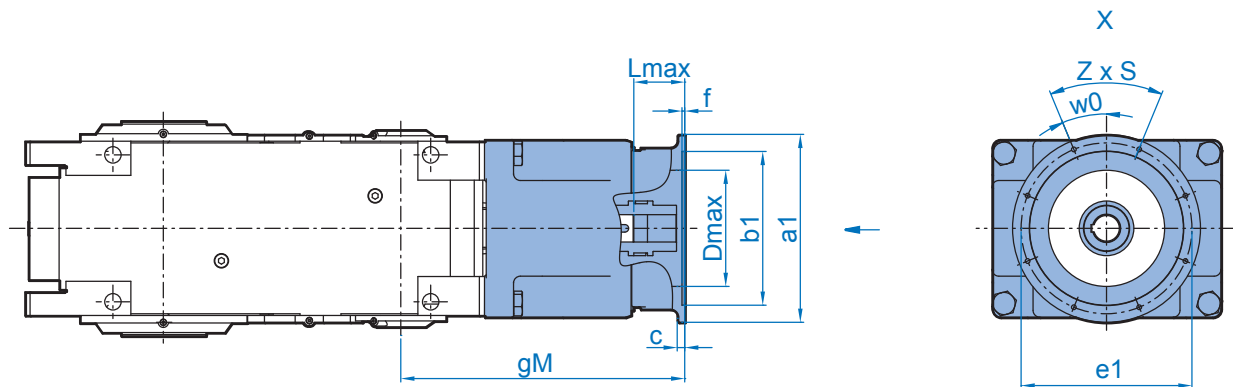
\* Dimensions for option "DRY" please see 218

Dimensions





## SK 5407 / SK 5507

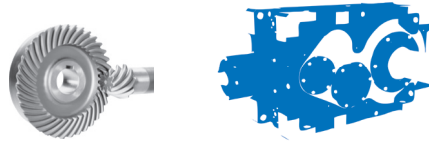


		gM	ø a1	ø b1	ø e1	c	f	z x s	w0°	ø Dmax	Lmax	
SK 5407	IEC <sup>1)</sup>	100	381,5	250	180	215	11	4	4 x 14,5	0	160	89
		112	381,5	250	180	215	11	4	4 x 14,5	0	160	89
		132	406,5	300	230	265	12	4	4 x 14,5	0	210	114
		160	436,5	350	250	300	15	6,5	4 x 17,5	45	220	144
		180	436,5	350	250	300	15	6,5	4 x 17,5	45	220	144
		200	436,5	400	300	350	17	6,5	4 x 17,5	45	250	144
		225	466,5	450	350	400	18	6,5	8 x 17,5	22,5	250	174
		250	466,5	550	450	500	22	8	8 x M16	22,5	250	174
SK 5507	IEC <sup>1)</sup>	280	466,5	550	450	500	22	8	8 x M16	22,5	250	174
		100	381,5	250	180	215	11	4	4 x 14,5	0	160	89
		112	381,5	250	180	215	11	4	4 x 14,5	0	160	89
		132	406,5	300	230	265	12	4	4 x 14,5	0	210	114
		160	436,5	350	250	300	15	6,5	4 x 17,5	45	220	144
		180	436,5	350	250	300	15	6,5	4 x 17,5	45	220	144
		200	436,5	400	300	350	17	6,5	4 x 17,5	45	250	144
		225	466,5	450	350	400	18	6,5	8 x 17,5	22,5	250	174
250	466,5	550	450	500	22	8	8 x M16	22,5	250	174		
280	466,5	550	450	500	22	8	8 x M16	22,5	250	174		

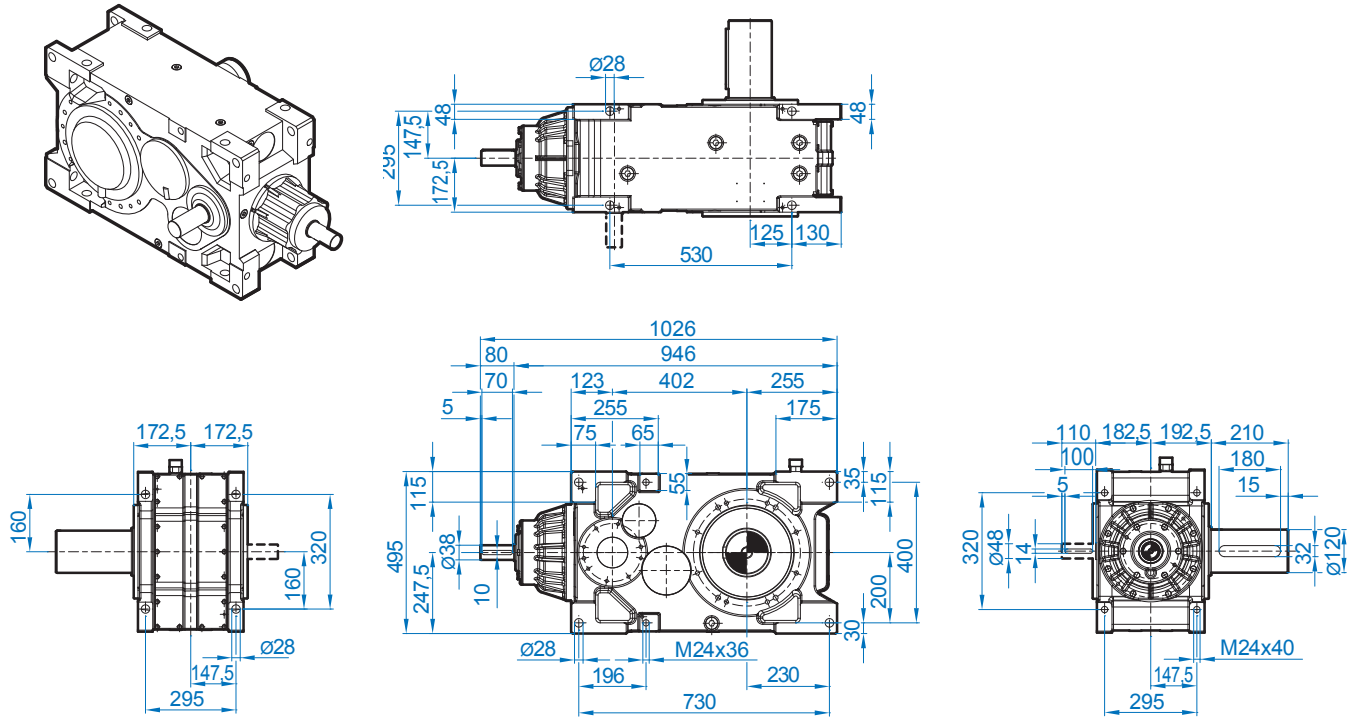
<sup>1)</sup> Type designation and dimensions up to 200kW correspond to NORD motors

		gM	ø a1	ø b1	ø e1	c	f	z x s	w0°	ø Dmax	Lmax	
SK 5407	NEMA	254/256 TC	537	350	215,9	184,15	38	4	4 x 1/2-13	45	220	113
		284/286 TC	537	350	266,7	228,6	38	4	4 x 1/2-13	45	220	113
		324/326 TC	550	400	317,5	279,4	51	4	4 x 5/8-11	45	265	181
		364/365 TC	580	450	317,5	279,4	52	4	4 x 5/8-11	45	280	211
		404/405 TC	594	550	317,5	279,4	70	6	4 x 5/8-11	45	330	225
SK 5507	NEMA	254/256 TC	463	350	215,9	184,15	38	4	4 x 1/2-13	45	220	162
		284/286 TC	463	350	266,7	228,6	38	4	4 x 1/2-13	45	220	162

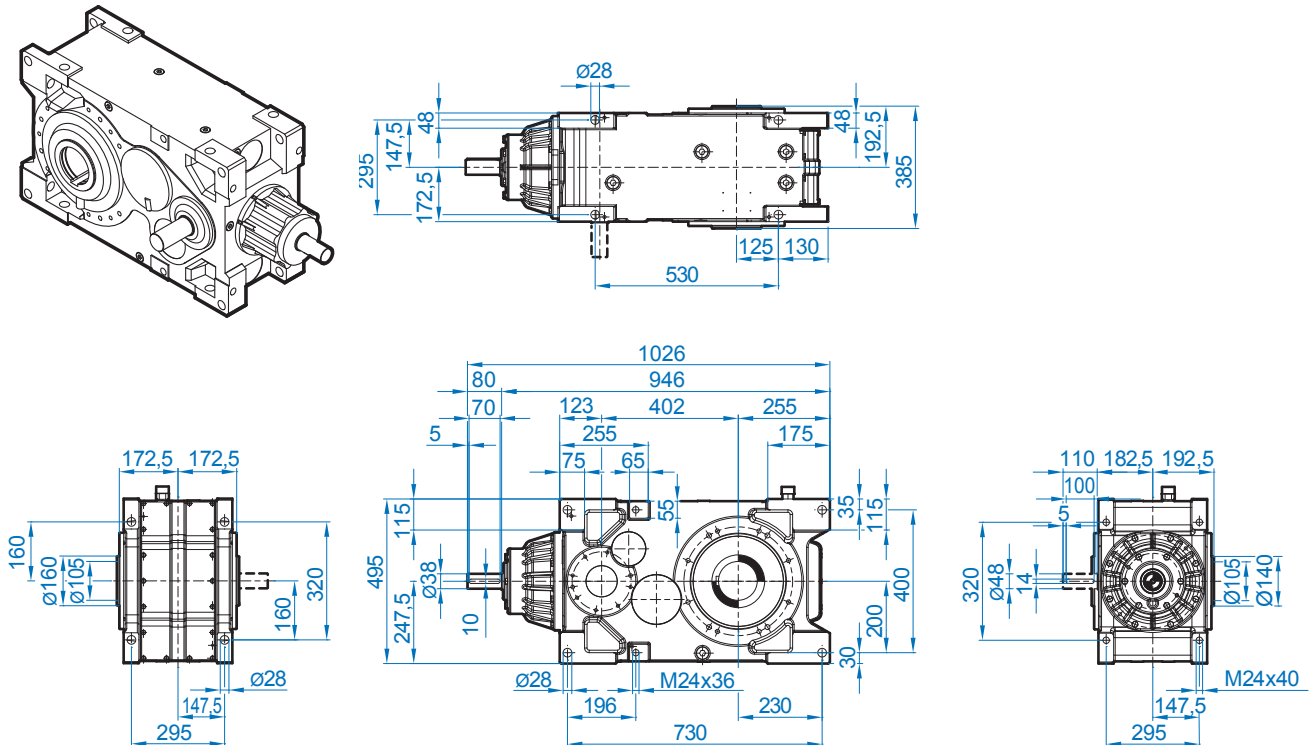
# SK 6407 / SK 6507



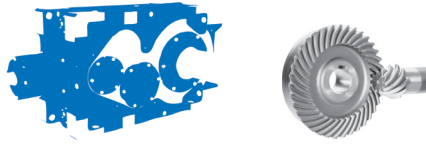
## SK 6407/6507 V \*



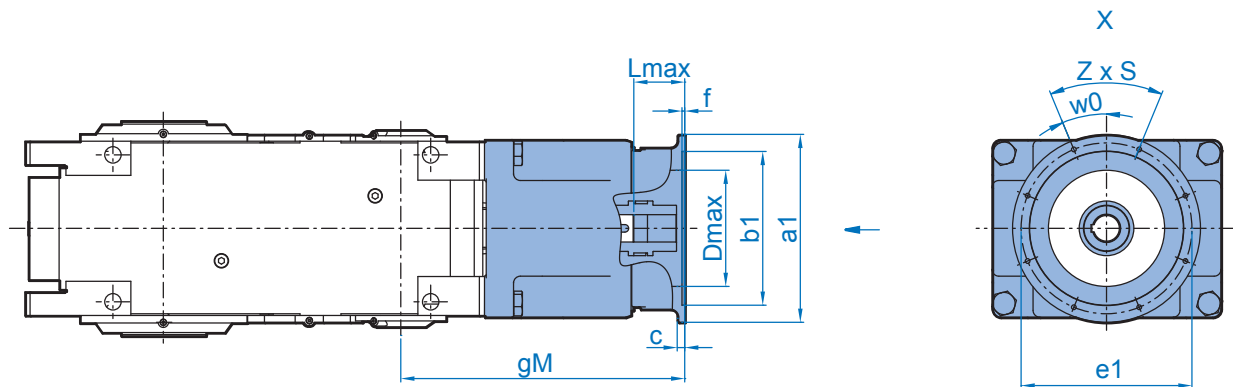
## SK 6407/6507 A \*



\* Dimensions for option "DRY" please see 218



## SK 6407 / SK 6507

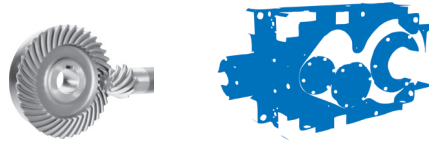


			gM	ø a1	ø b1	ø e1	c	f	z x s	w0°	ø Dmax	Lmax
SK 6407	IEC <sup>1)</sup>	100	381,5	250	180	215	11	4	4 x 14,5	0	160	89
		112	381,5	250	180	215	11	4	4 x 14,5	0	160	89
		132	406,5	300	230	265	12	4	4 x 14,5	0	210	114
		160	436,5	350	250	300	15	6,5	4 x 17,5	45	220	144
		180	436,5	350	250	300	15	6,5	4 x 17,5	45	220	144
		200	436,5	400	300	350	17	6,5	4 x 17,5	45	250	144
		225	466,5	450	350	400	18	6,5	8 x 17,5	22,5	250	174
		250	466,5	550	450	500	22	8	8 x M16	22,5	250	174
		280	466,5	550	450	500	22	8	8 x M16	22,5	250	174
SK 6507	IEC <sup>1)</sup>	100	381,5	250	180	215	11	4	4 x 14,5	0	160	89
		112	381,5	250	180	215	11	4	4 x 14,5	0	160	89
		132	406,5	300	230	265	12	4	4 x 14,5	0	210	114
		160	436,5	350	250	300	15	6,5	4 x 17,5	45	220	144
		180	436,5	350	250	300	15	6,5	4 x 17,5	45	220	144
		200	436,5	400	300	350	17	6,5	4 x 17,5	45	250	144
		225	466,5	450	350	400	18	6,5	8 x 17,5	22,5	250	174
		250	466,5	550	450	500	22	8	8 x M16	22,5	250	174
		280	466,5	550	450	500	22	8	8 x M16	22,5	250	174

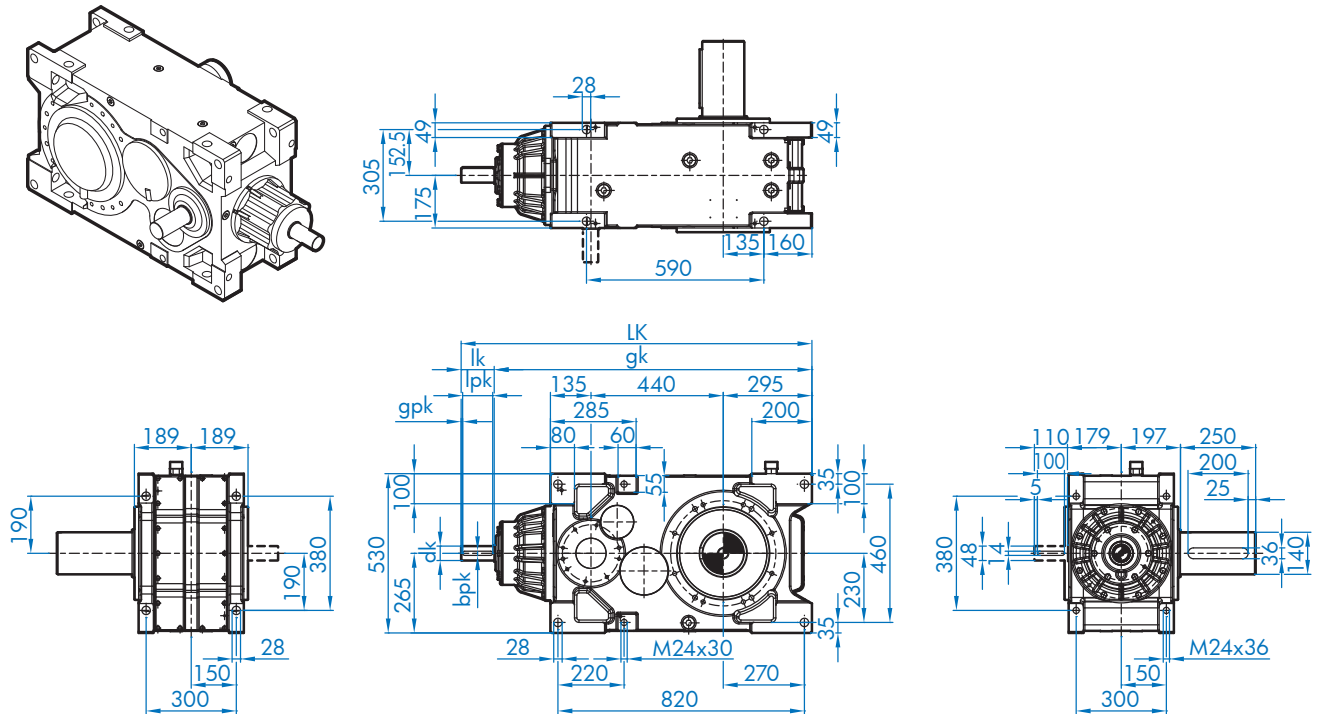
<sup>1)</sup> Type designation and dimensions up to 200kW correspond to NORD motors

			gM	ø a1	ø b1	ø e1	c	f	z x s	w0°	ø Dmax	Lmax
SK 6407	NEMA	254/256 TC	537	350	215,9	184,15	38	4	4 x 1/2-13	45	220	113
		284/286 TC	537	350	266,7	228,6	38	4	4 x 1/2-13	45	220	113
		324/326 TC	550	400	317,5	279,4	51	4	4 x 5/8-11	45	265	181
		364/365 TC	580	450	317,5	279,4	52	4	4 x 5/8-11	45	280	211
		404/405 TC	594	550	317,5	279,4	70	6	4 x 5/8-11	45	330	225
SK 6507	NEMA	254/256 TC	463	350	215,9	184,15	38	4	4 x 1/2-13	45	220	162
		284/286 TC	463	350	266,7	228,6	38	4	4 x 1/2-13	45	220	162

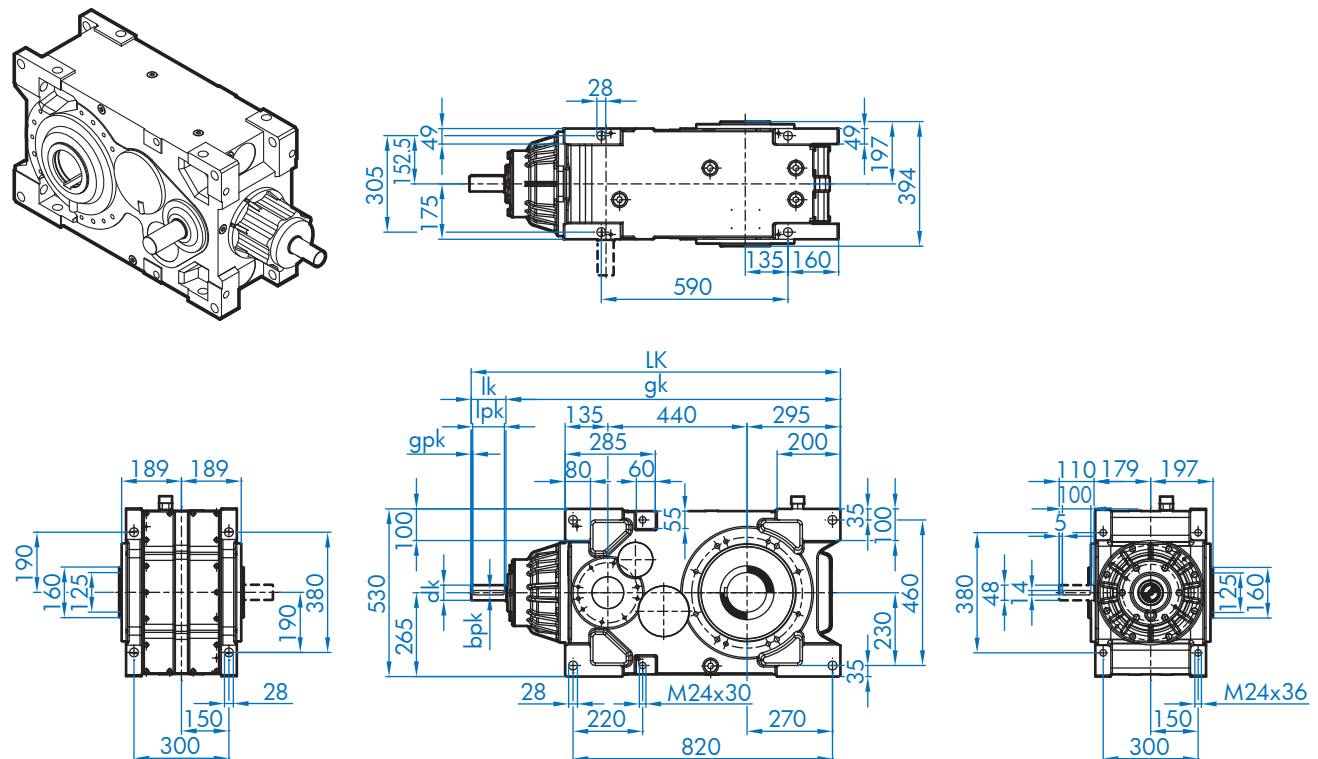
# SK 7407 / SK 7507



## SK 7407 / 7507 V \*



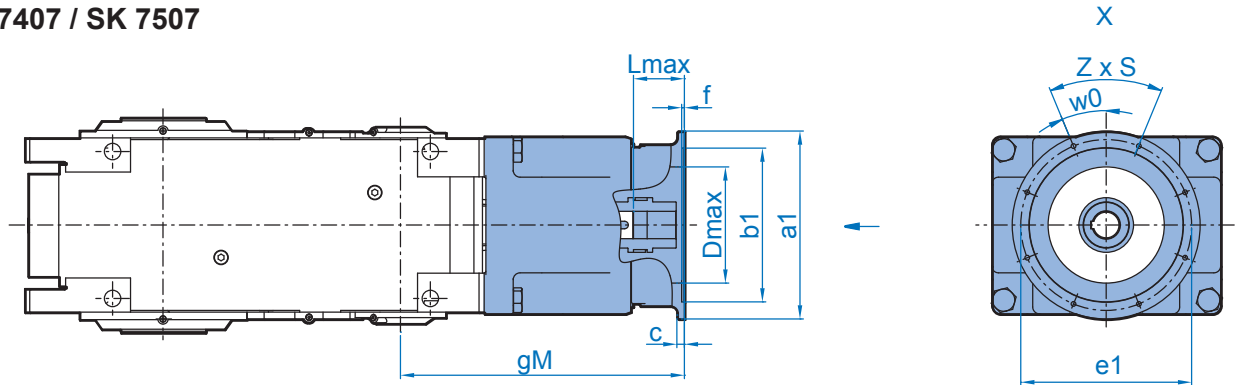
## SK 7407 / 7507 A \*



\* Dimensions for option "DRY" please see 218



## SK 7407 / SK 7507

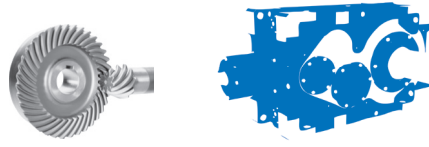


		gM	ø a1	ø b1	ø e1	c	f	z x s	w0°	ø Dmax	Lmax		
SK 7407	IEC <sup>1)</sup>	100	527	250	180	215	11	4,0	4 x 14,5	0	160	95 / 125	
		112	527	250	180	215	11	4,0	4 x 14,5	0	160	95 / 125	
		132	547	300	230	265	12	4,0	4 x 14,5	0	210	115 / 145	
		160	577	350	250	300	15	6,5	4 x 17,5	45,0	220	145 / 175	
		180	577	350	250	300	15	6,5	4 x 17,5	45,0	220	145 / 175	
		200	577	400	300	350	17	6,5	4 x 17,5	45,0	250	145 / 175	
		225	607	450	350	400	18	6,5	8 x 17,5	22,5	250	175 / 205	
		250	607	550	450	500	22	8,0	8 x M16	22,5	250	175 / 205	
		280	607	550	450	500	22	8,0	8 x M16	22,5	250	175 / 205	
		315	637	660	550	600	22	8,0	8 x 22	22,5	250	205 / 235	
		TN <sup>2)</sup>	315	637	800	680	740	25	8,0	8 x 22	22,5	250	205 / 235
		355	637	900	780	840	25	8,0	8 x 22	22,5	250	205 / 235	
SK 7507	IEC <sup>1)</sup>	100	425	250	180	215	11	4,0	4 x 14,5	0	160	95	
		112	425	250	180	215	11	4,0	4 x 14,5	0	160	95	
		132	445	300	230	265	12	4,0	4 x 14,5	0	210	115	
		160	475	350	250	300	15	6,5	4 x 17,5	45,0	220	145	
		180	475	350	250	300	15	6,5	4 x 17,5	45,0	220	145	
		200	475	400	300	350	17	6,5	4 x 17,5	45,0	250	145	
		225	505	450	350	400	18	6,5	8 x 17,5	22,5	250	175	
		250	505	550	450	500	22	8,0	8 x M16	22,5	250	175	
		280	505	550	450	500	22	8,0	8 x M16	22,5	250	175	
		315	535	660	550	600	22	8,0	8 x 22	22,5	250	205	
		TN <sup>2)</sup>	315	535	800	680	740	25	8,0	8 x 22	22,5	250	205
			355	535	900	780	840	25	8,0	8 x 22	22,5	250	205

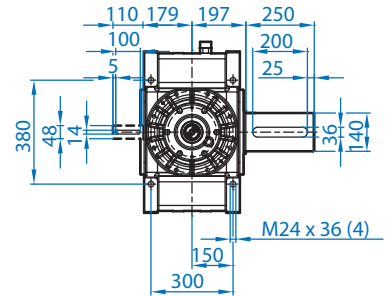
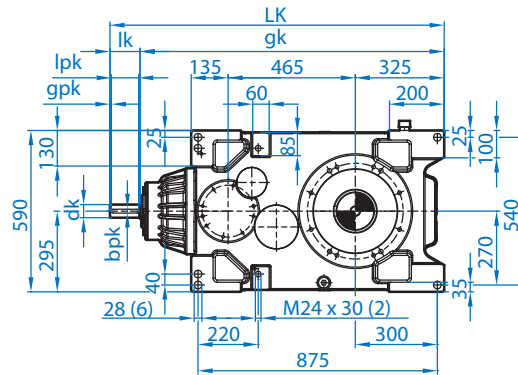
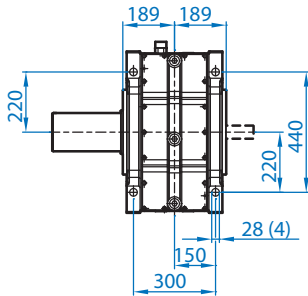
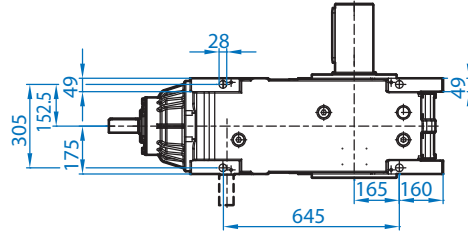
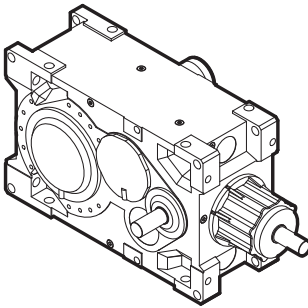
<sup>1)</sup> Type designation and dimensions up to 200kW correspond to NORD motors <sup>2)</sup> Data for Transnorm motors available on request

		gM	ø a1	ø b1	ø e1	c	f	z x s	w0°	ø Dmax	Lmax	
SK 7407	NEMA	254/256 TC	600	350	215,9	184,15	38	4	4 x 1/2-13	45	220	168 / 198
		284/286 TC	600	350	266,7	228,6	38	4	4 x 1/2-13	45	220	168 / 198
		324/326 TC	611	400	317,5	279,4	51	4	4 x 5/8-11	45	265	179 / 209
		364/365 TC	641	450	317,5	279,4	52	4	4 x 5/8-11	45	280	209 / 239
		404/405 TC	655	550	317,5	279,4	70	6	4 x 5/8-11	45	330	223 / 253
		444/445 TC	687	550	406,4	355,6	102	6	4 x 5/8-11	45	330	255 / 285
		447/449 TC	682	660	406,4	355,6	67	6	4 x 5/8-11	45	330	250 / 280
SK 7507	NEMA	254/256 TC	498	350	215,9	184,15	38	4	4 x 1/2-13	45	220	168
		284/286 TC	498	350	266,7	228,6	38	4	4 x 1/2-13	45	220	168
		324/326 TC	509	400	317,5	279,4	51	4	4 x 5/8-11	45	265	179
		364/365 TC	539	450	317,5	279,4	52	4	4 x 5/8-11	45	280	209
		404/405 TC	553	550	317,5	279,4	70	6	4 x 5/8-11	45	330	223
		444/445 TC	585	550	406,4	355,6	102	6	4 x 5/8-11	45	330	255
		447/449 TC	580	660	406,4	355,6	67	6	4 x 5/8-11	45	330	250

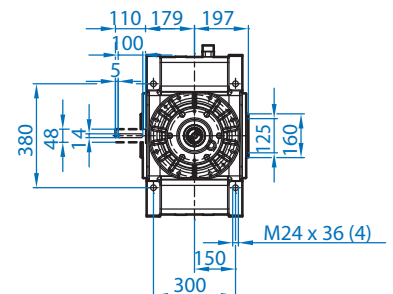
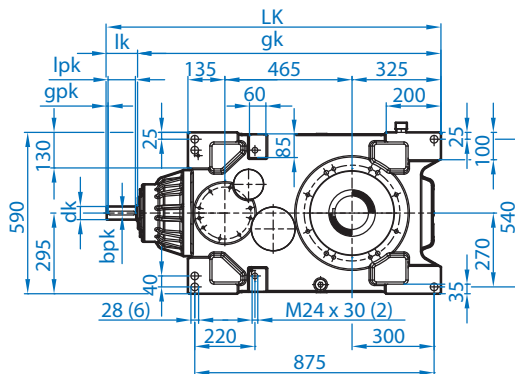
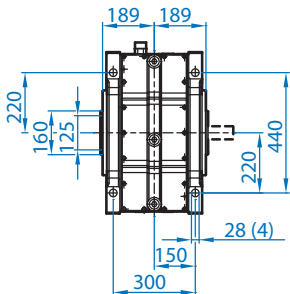
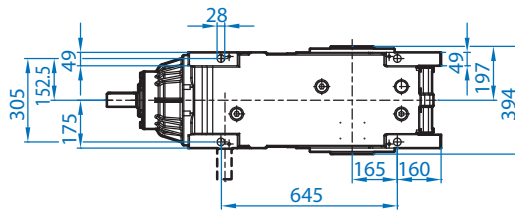
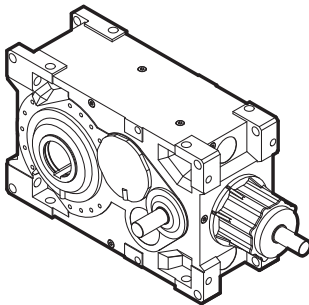
# SK 8407 / SK 8507



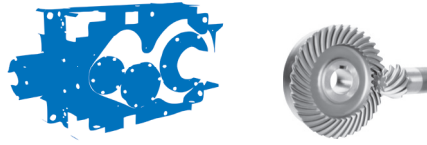
## SK 8407 / 8507 V \*



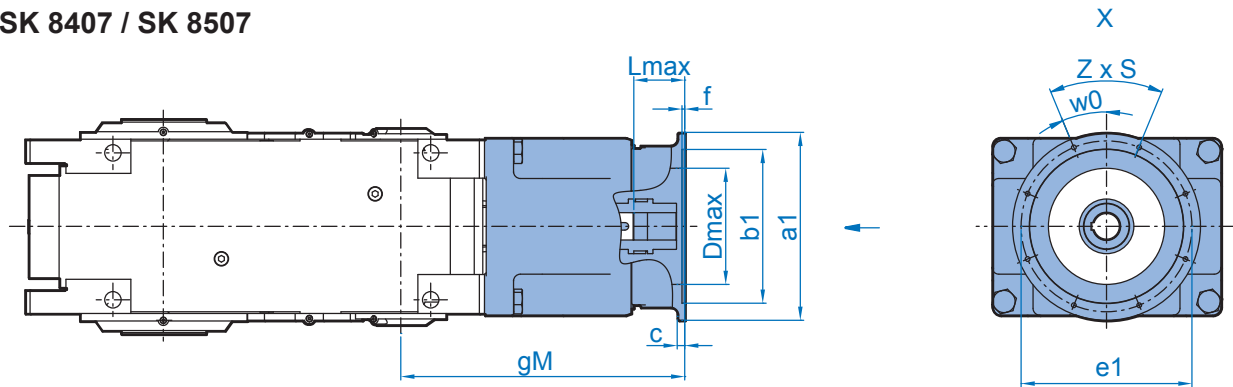
## SK 8407 / 8507 A \*



\* Dimensions for option "DRY" please see 218



## SK 8407 / SK 8507

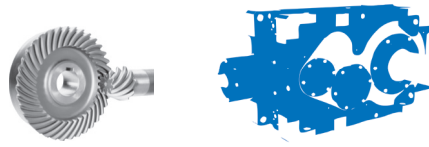


			gM	ø a1	ø b1	ø e1	c	f	z x s	w0°	ø Dmax	Lmax
SK 8407	IEC <sup>1)</sup>	100	527	250	180	215	11	4,0	4 x 14,5	0	160	95 / 125
		112	527	250	180	215	11	4,0	4 x 14,5	0	160	95 / 125
		132	547	300	230	265	12	4,0	4 x 14,5	0	210	115 / 145
		160	577	350	250	300	15	6,5	4 x 17,5	45,0	220	145 / 175
		180	577	350	250	300	15	6,5	4 x 17,5	45,0	220	145 / 175
		200	577	400	300	350	17	6,5	4 x 17,5	45,0	250	145 / 175
		225	607	450	350	400	18	6,5	8 x 17,5	22,5	250	175 / 205
		250	607	550	450	500	22	8,0	8 x M16	22,5	250	175 / 205
		280	607	550	450	500	22	8,0	8 x M16	22,5	250	175 / 205
		315	637	660	550	600	22	8,0	8 x 22	22,5	250	205 / 235
	TN <sup>2)</sup>	315	637	800	680	740	25	8,0	8 x 22	22,5	250	205 / 235
		355	637	900	780	840	25	8,0	8 x 22	22,5	250	205 / 235
SK 8507	IEC <sup>1)</sup>	100	425	250	180	215	11	4,0	4 x 14,5	0	160	75
		112	425	250	180	215	11	4,0	4 x 14,5	0	160	75
		132	445	300	230	265	12	4,0	4 x 14,5	0	210	95
		160	475	350	250	300	15	6,5	4 x 17,5	45,0	220	125
		180	475	350	250	300	15	6,5	4 x 17,5	45,0	220	125
		200	475	400	300	350	17	6,5	4 x 17,5	45,0	250	125
		225	505	450	350	400	18	6,5	8 x 17,5	22,5	250	155
		250	505	550	450	500	22	8,0	8 x M16	22,5	250	155
		280	505	550	450	500	22	8,0	8 x M16	22,5	250	155
		315	535	660	550	600	22	8,0	8 x 22	22,5	250	185
	TN <sup>2)</sup>	315	535	800	680	740	25	8,0	8 x 22	22,5	250	185
		355	535	900	780	840	25	8,0	8 x 22	22,5	250	185

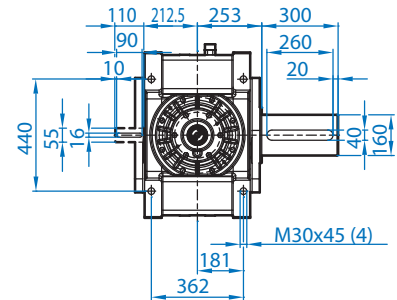
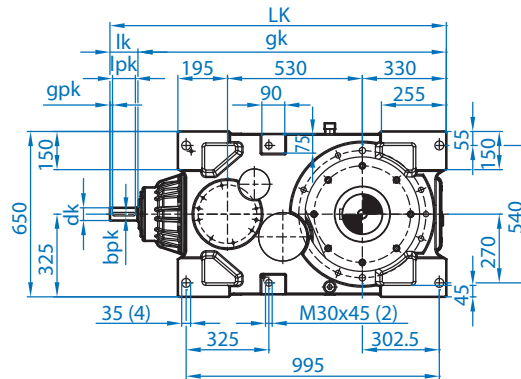
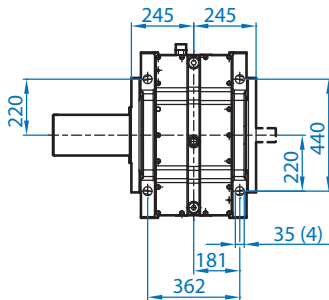
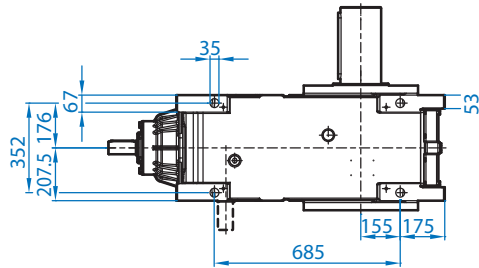
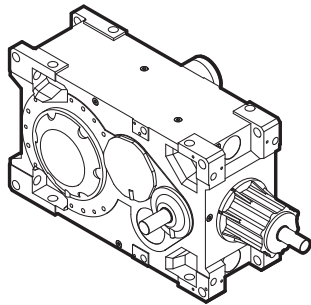
<sup>1)</sup> Type designation and dimensions up to 200kW correspond to NORD motors <sup>2)</sup> Data for Transnorm motors available on request

			gM	ø a1	ø b1	ø e1	c	f	z x s	w0°	ø Dmax	Lmax
SK 8407	NEMA	254/256 TC	600	350	215,9	184,15	38	4	4 x 1/2-13	45	220	168 / 198
		284/286 TC	600	350	266,7	228,6	38	4	4 x 1/2-13	45	220	168 / 198
		324/326 TC	611	400	317,5	279,4	51	4	4 x 5/8-11	45	265	179 / 209
		364/365 TC	641	450	317,5	279,4	52	4	4 x 5/8-11	45	280	209 / 239
		404/405 TC	655	550	317,5	279,4	70	6	4 x 5/8-11	45	330	223 / 253
		444/445 TC	687	550	406,4	355,6	102	6	4 x 5/8-11	45	330	255 / 285
		447/449 TC	682	660	406,4	355,6	67	6	4 x 5/8-11	45	330	250 / 280
SK 8507	NEMA	254/256 TC	498	350	215,9	184,15	38	4	4 x 1/2-13	45	220	148
		284/286 TC	498	350	266,7	228,6	38	4	4 x 1/2-13	45	220	148
		324/326 TC	509	400	317,5	279,4	51	4	4 x 5/8-11	45	265	159
		364/365 TC	539	450	317,5	279,4	52	4	4 x 5/8-11	45	280	189
		404/405 TC	553	550	317,5	279,4	70	6	4 x 5/8-11	45	330	203
		444/445 TC	585	550	406,4	355,6	102	6	4 x 5/8-11	45	330	235
		447/449 TC	580	660	406,4	355,6	67	6	4 x 5/8-11	45	330	230

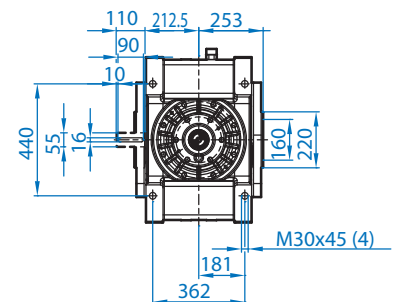
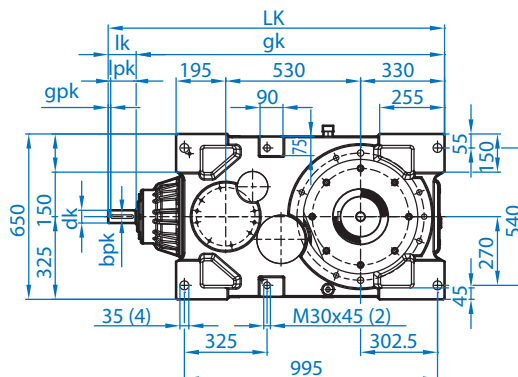
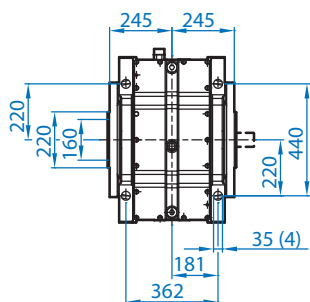
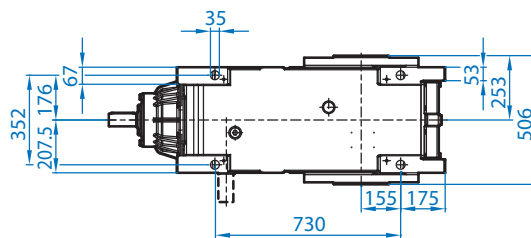
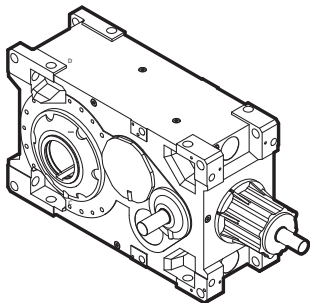
# SK 9407 / SK 9507



## SK 9407 / 9507 V



## SK 9407 / 9507 A \*

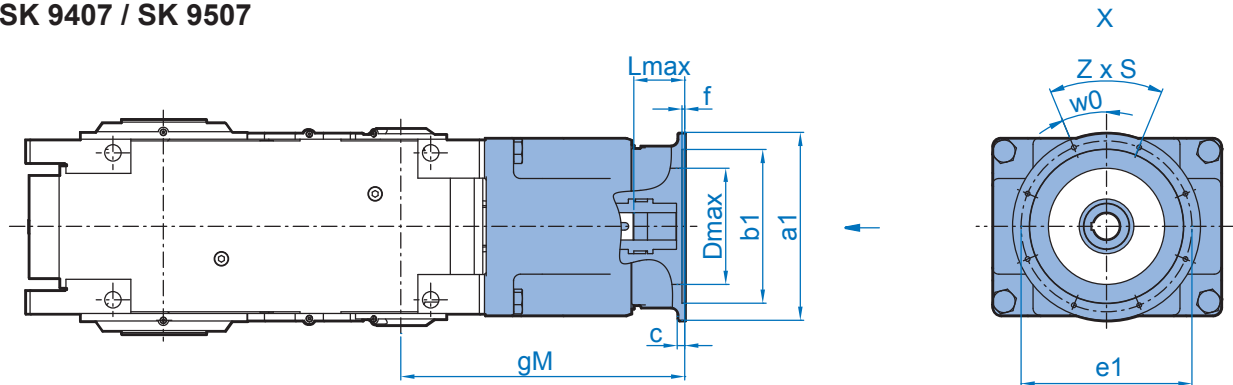


\* Dimensions for option "DRY" please see 218





## SK 9407 / SK 9507



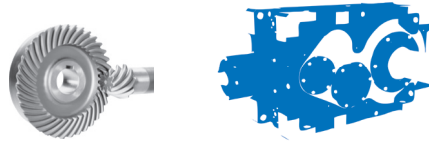
		gM	ø a1	ø b1	ø e1	c	f	z x s	w0°	ø Dmax	Lmax	
SK 9407	IEC <sup>1)</sup>	100	587	250	180	215	11	4,0	4 x 14,5	0	160	125 / 135
		112	587	250	180	215	11	4,0	4 x 14,5	0	160	125 / 135
		132	607	300	230	265	12	4,0	4 x 14,5	0	210	145 / 155
		160	637	350	250	300	15	6,5	4 x 17,5	45,0	220	175 / 185
		180	637	350	250	300	15	6,5	4 x 17,5	45,0	220	175 / 185
		200	637	400	300	350	17	6,5	4 x 17,5	45,0	250	175 / 185
		225	667	450	350	400	18	6,5	8 x 17,5	22,5	250	205 / 215
		250	667	550	450	500	22	8,0	8 x M16	22,5	250	205 / 215
		280	667	550	450	500	22	8,0	8 x M16	22,5	250	205 / 215
		315	697	660	550	600	22	8,0	8 x 22	22,5	250	235 / 245
	TN <sup>2)</sup>	315	697	800	680	740	25	8,0	8 x 22	22,5	250	235 / 245
		355	697	900	780	840	25	8,0	8 x 22	22,5	250	235 / 245
SK 9507	IEC <sup>1)</sup>	100	485	250	180	215	11	4,0	4 x 14,5	0	160	83
		112	485	250	180	215	11	4,0	4 x 14,5	0	160	83
		132	505	300	230	265	12	4,0	4 x 14,5	0	210	103
		160	535	350	250	300	15	6,5	4 x 17,5	45,0	220	133
		180	535	350	250	300	15	6,5	4 x 17,5	45,0	220	133
		200	535	400	300	350	17	6,5	4 x 17,5	45,0	250	133
		225	565	450	350	400	18	6,5	8 x 17,5	22,5	250	163
		250	565	550	450	500	22	8,0	8 x M16	22,5	250	163
		280	565	550	450	500	22	8,0	8 x M16	22,5	250	163
		315	595	660	550	600	22	8,0	8 x 22	22,5	250	193
	TN <sup>2)</sup>	315	595	800	680	740	25	8,0	8 x 22	22,5	250	193
		355	595	900	780	840	25	8,0	8 x 22	22,5	250	193

<sup>1)</sup> Type designation and dimensions up to 200kW correspond to NORD motors <sup>2)</sup> Data for Transnorm motors available on request

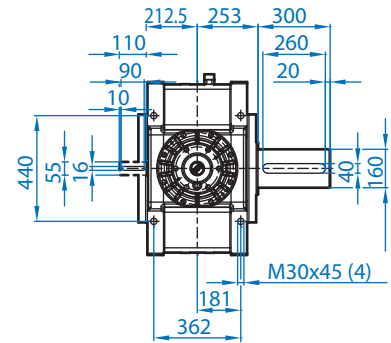
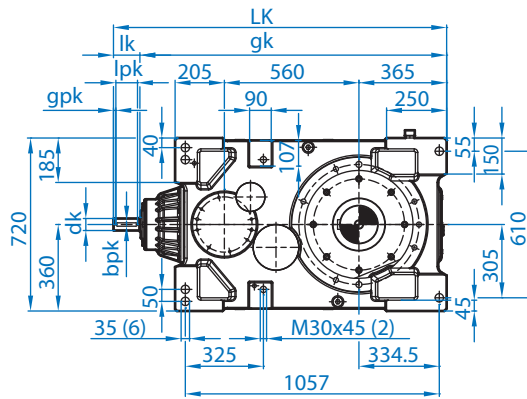
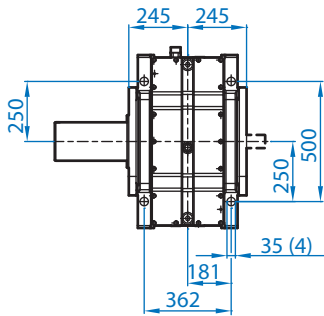
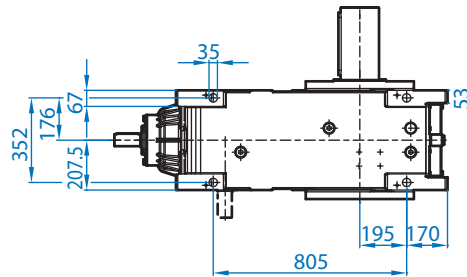
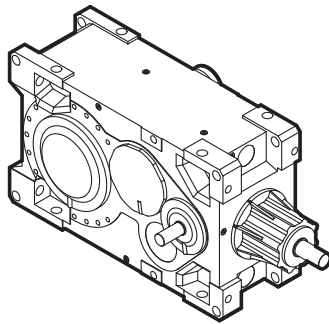
		gM	ø a1	ø b1	ø e1	c	f	z x s	w0°	ø Dmax	Lmax	
SK 9407	NEMA	254/256 TC	660	350	215,9	184,15	38	4	4 x 1/2-13	45	220	198 / 208
		284/286 TC	660	350	266,7	228,6	38	4	4 x 1/2-13	45	220	198 / 208
		324/326 TC	671	400	317,5	279,4	51	4	4 x 5/8-11	45	265	209 / 219
		364/365 TC	701	450	317,5	279,4	52	4	4 x 5/8-11	45	280	209 / 219
		404/405 TC	715	550	317,5	279,4	70	6	4 x 5/8-11	45	330	253 / 263
		444/445 TC	747	550	406,4	355,6	102	6	4 x 5/8-11	45	330	285 / 295
		447/449 TC	742	660	406,4	355,6	67	6	4 x 5/8-11	45	330	280 / 290
SK 9507	NEMA	254/256 TC	558	350	215,9	184,15	38	4	4 x 1/2-13	45	220	156
		284/286 TC	558	350	266,7	228,6	38	4	4 x 1/2-13	45	220	156
		324/326 TC	569	400	317,5	279,4	51	4	4 x 5/8-11	45	265	167
		364/365 TC	599	450	317,5	279,4	52	4	4 x 5/8-11	45	280	197
		404/405 TC	613	550	317,5	279,4	70	6	4 x 5/8-11	45	330	211
		444/445 TC	645	550	406,4	355,6	102	6	4 x 5/8-11	45	330	243
		447/449 TC	640	660	406,4	355,6	67	6	4 x 5/8-11	45	330	238

Dimensions

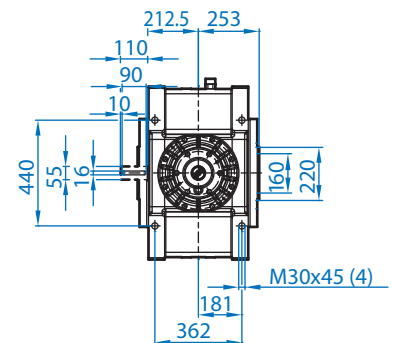
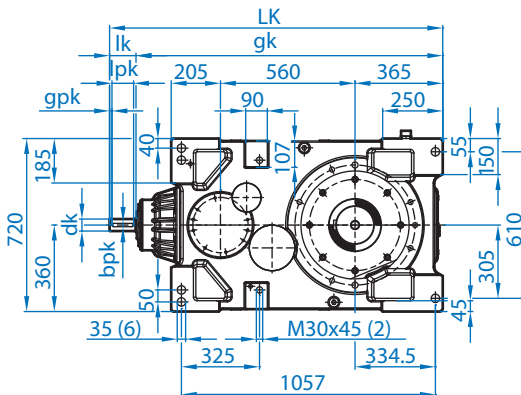
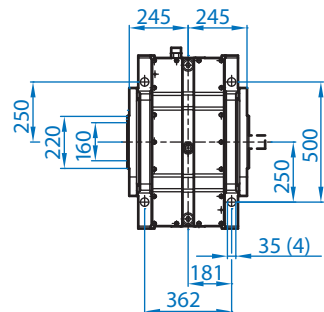
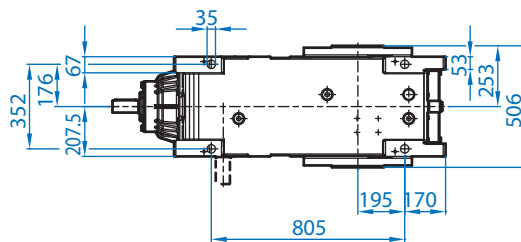
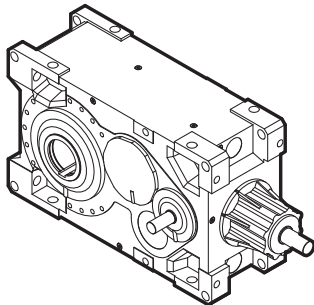
# SK 10407 / SK 10507



## SK 10407 / 10507 V



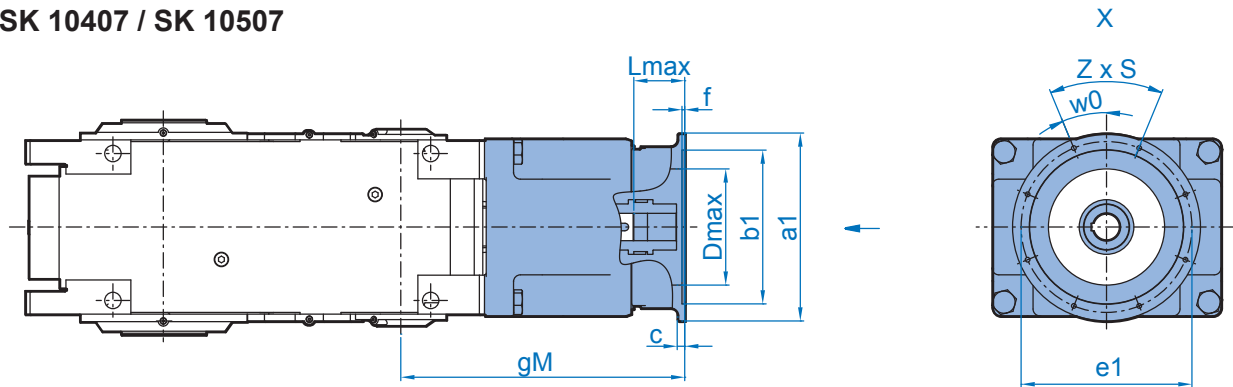
## SK 10407 / 10507 A \*



\* Dimensions for option "DRY" please see 218



## SK 10407 / SK 10507

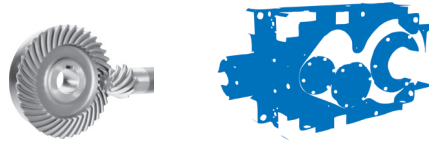


		gM	ø a1	ø b1	ø e1	c	f	z x s	w0°	ø Dmax	Lmax	
SK 10407	IEC <sup>1)</sup>	100	597	250	180	215	11	4,0	4 x 14,5	0	160	135 / 145
		112	597	250	180	215	11	4,0	4 x 14,5	0	160	135 / 145
		132	617	300	230	265	12	4,0	4 x 14,5	0	210	155 / 165
		160	647	350	250	300	15	6,5	4 x 17,5	45,0	220	185 / 195
		180	647	350	250	300	15	6,5	4 x 17,5	45,0	220	185 / 195
		200	647	400	300	350	17	6,5	4 x 17,5	45,0	250	185 / 195
		225	677	450	350	400	18	6,5	8 x 17,5	22,5	250	215 / 225
		250	677	550	450	500	22	8,0	8 x M16	22,5	250	215 / 225
		280	677	550	450	500	22	8,0	8 x M16	22,5	250	215 / 225
		315	707	660	550	600	22	8,0	8 x 22	22,5	250	245 / 255
	TN <sup>2)</sup>	315	707	800	680	740	25	8,0	8 x 22	22,5	250	245 / 255
		355	707	900	780	840	25	8,0	8 x 22	22,5	250	245 / 255
SK 10507	IEC <sup>1)</sup>	100	495	250	180	215	11	4,0	4 x 14,5	0	160	83
		112	495	250	180	215	11	4,0	4 x 14,5	0	160	83
		132	515	300	230	265	12	4,0	4 x 14,5	0	210	103
		160	545	350	250	300	15	6,5	4 x 17,5	45,0	220	133
		180	545	350	250	300	15	6,5	4 x 17,5	45,0	220	133
		200	545	400	300	350	17	6,5	4 x 17,5	45,0	250	133
		225	575	450	350	400	18	6,5	8 x 17,5	22,5	250	163
		250	575	550	450	500	22	8,0	8 x M16	22,5	250	163
		280	575	550	450	500	22	8,0	8 x M16	22,5	250	163
		315	605	660	550	600	22	8,0	8 x 22	22,5	250	193
	TN <sup>2)</sup>	315	605	800	680	740	25	8,0	8 x 22	22,5	250	193
		355	605	900	780	840	25	8,0	8 x 22	22,5	250	193

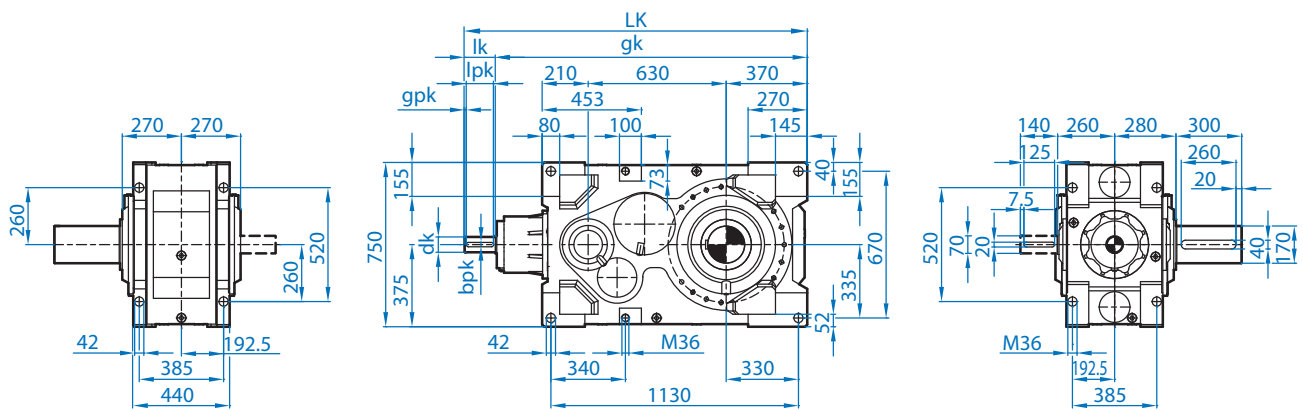
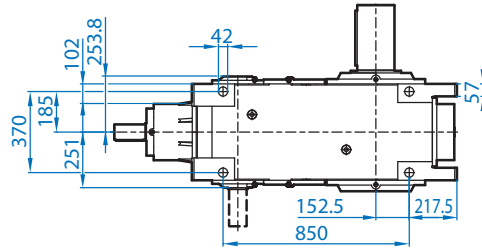
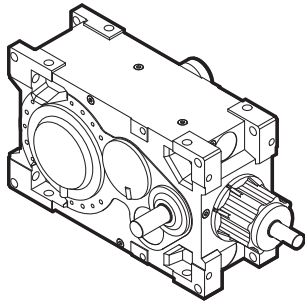
<sup>1)</sup> Type designation and dimensions up to 200kW correspond to NORD motors <sup>2)</sup> Data for Transnorm motors available on request

		gM	ø a1	ø b1	ø e1	c	f	z x s	w0°	ø Dmax	Lmax	
SK 10407	NEMA	254/256 TC	670	350	215,9	184,15	38	4	4 x 1/2-13	45	220	208 / 218
		284/286 TC	670	350	266,7	228,6	38	4	4 x 1/2-13	45	220	208 / 218
		324/326 TC	681	400	317,5	279,4	51	4	4 x 5/8-11	45	265	219 / 229
		364/365 TC	711	450	317,5	279,4	52	4	4 x 5/8-11	45	280	249 / 259
		404/405 TC	725	550	317,5	279,4	70	6	4 x 5/8-11	45	330	263 / 273
		444/445 TC	757	550	406,4	355,6	102	6	4 x 5/8-11	45	330	295 / 305
		447/449 TC	752	660	406,4	355,6	67	6	4 x 5/8-11	45	330	290 / 300
SK 10507	NEMA	254/256 TC	568	350	215,9	184,15	38	4	4 x 1/2-13	45	220	156
		284/286 TC	568	350	266,7	228,6	38	4	4 x 1/2-13	45	220	156
		324/326 TC	579	400	317,5	279,4	51	4	4 x 5/8-11	45	265	167
		364/365 TC	609	450	317,5	279,4	52	4	4 x 5/8-11	45	280	197
		404/405 TC	623	550	317,5	279,4	70	6	4 x 5/8-11	45	330	211
		444/445 TC	655	550	406,4	355,6	102	6	4 x 5/8-11	45	330	243
		447/449 TC	650	660	406,4	355,6	67	6	4 x 5/8-11	45	330	238

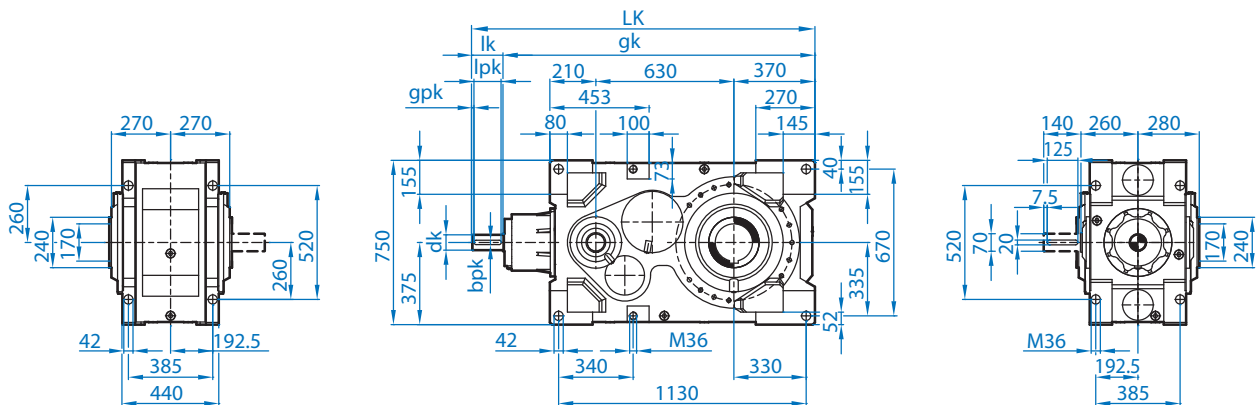
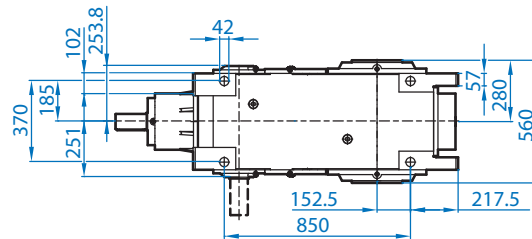
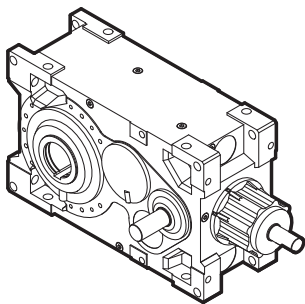
# SK 11407 / SK 11507



## SK 11407 / 11507 V

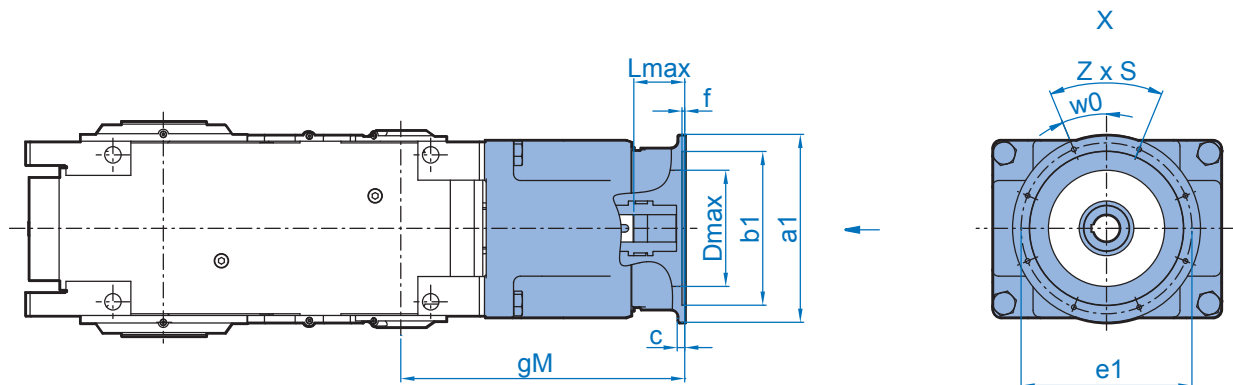


## SK 11407 / 11507 A





## SK 11407 / SK 11507

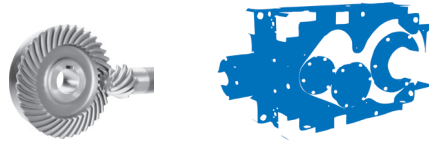


			gM	ø a1	ø b1	ø e1	c	f	z x s	w0°	ø Dmax	Lmax
SK 11407	IEC 1)	160	684	350	250	300	15	6,5	4 x 17,5	45,0	228	120 / 150
		180	684	350	250	300	15	6,5	4 x 17,5	45,0	228	120 / 150
		200	684	400	300	350	17	6,5	4 x 17,5	45,0	276	120 / 150
		225	714	450	350	400	18	6,5	8 x 17,5	22,5	290	150 / 180
		250	714	550	450	500	22	8,0	8 x M16	22,5	340	150 / 180
		280	714	550	450	500	22	8,0	8 x M16	22,5	340	150 / 180
	TN 2)	315	744	660	550	600	22	8,0	8 x 22	22,5	340	180 / 210
		355T	744	900	780	840	25	8,0	8 x 22	22,5	340	180 / 210
SK 11507	IEC 1)	160	601	350	250	300	15	6,5	4 x 17,5	45,0	228	120
		180	601	350	250	300	15	6,5	4 x 17,5	45,0	228	120
		200	601	400	300	350	17	6,5	4 x 17,5	45,0	276	120
		225	631	450	350	400	18	6,5	8 x 17,5	22,5	290	150
		250	631	550	450	500	22	8,0	8 x M16	22,5	340	150
		280	631	550	450	500	22	8,0	8 x M16	22,5	340	150
	TN 2)	315	661	660	550	600	22	8,0	8 x 22	22,5	340	180
		355T	661	800	680	740	25	8,0	8 x 22	22,5	340	180
		355T	661	900	780	840	25	8,0	8 x 22	22,5	340	180

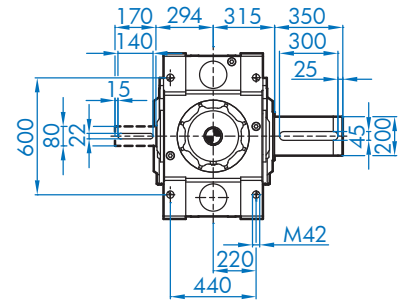
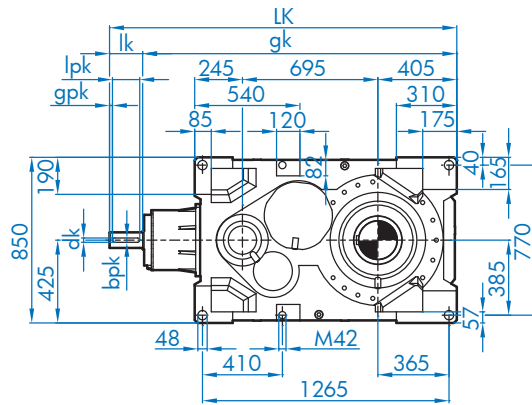
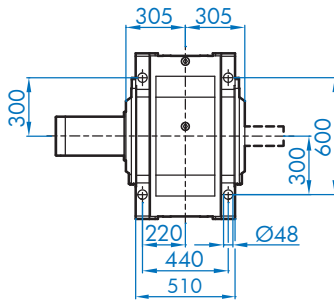
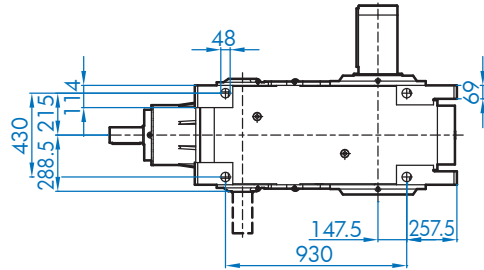
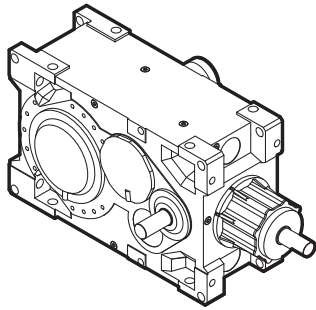
1) Type designation and dimensions up to 200kW correspond to NORD motors 2) Data for Transform motors available on request

			gM	ø a1	ø b1	ø e1	c	f	z x s	w0°	ø Dmax	Lmax
SK 11407	NEMA	254/256 TC	707	350	215.9	184,15	38	4	4 x 1/2-13	45	220	143 / 173
		284/286 TC	707	350	266.7	228,6	38	4	4 x 1/2-13	45	220	143 / 173
		324/326 TC	718	400	317.5	279,4	51	4	4 x 5/8-11	45	265	154 / 184
		364/365 TC	748	450	317.5	279,4	52	4	4 x 5/8-11	45	280	184 / 214
		404/405 TC	762	550	317.5	279,4	70	6	4 x 5/8-11	45	330	198 / 228
		444/445 TC	794	550	406.4	355,6	102	6	4 x 5/8-11	45	330	230 / 260
		447/449 TC	789	660	406.4	355,6	67	6	4 x 5/8-11	45	330	225 / 255
SK 11507	NEMA	254/256 TC	624	350	215.9	184,15	38	4	4 x 1/2-13	45	220	143
		284/286 TC	624	350	266.7	228,6	38	4	4 x 1/2-13	45	220	143
		324/326 TC	635	400	317.5	279,4	51	4	4 x 5/8-11	45	265	154
		364/365 TC	665	450	317.5	279,4	52	4	4 x 5/8-11	45	280	184
		404/405 TC	679	550	317.5	279,4	70	6	4 x 5/8-11	45	330	198
		444/445 TC	711	550	406.4	355,6	102	6	4 x 5/8-11	45	330	230
		447/449 TC	706	660	406.4	355,6	67	6	4 x 5/8-11	45	330	225

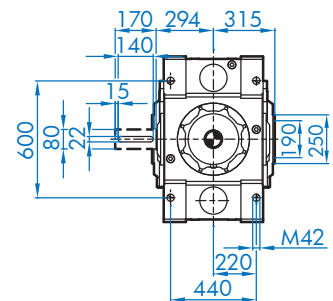
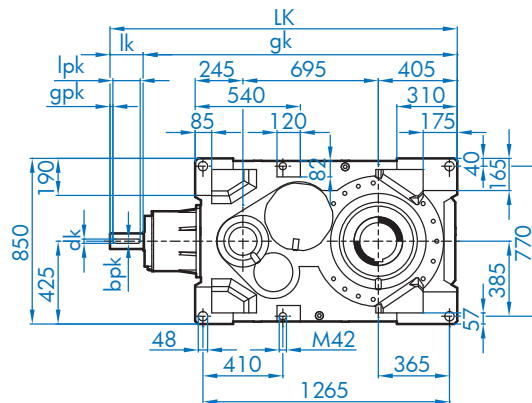
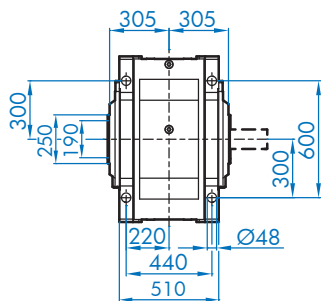
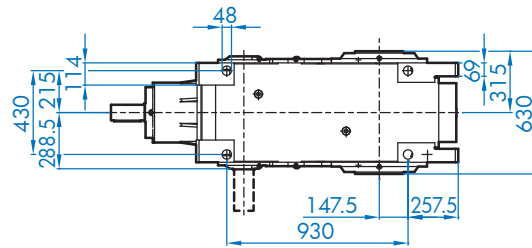
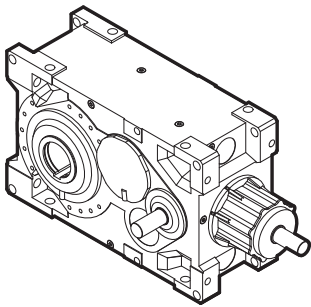
# SK 12407 / SK 12507



## SK 12407 / 12507 V

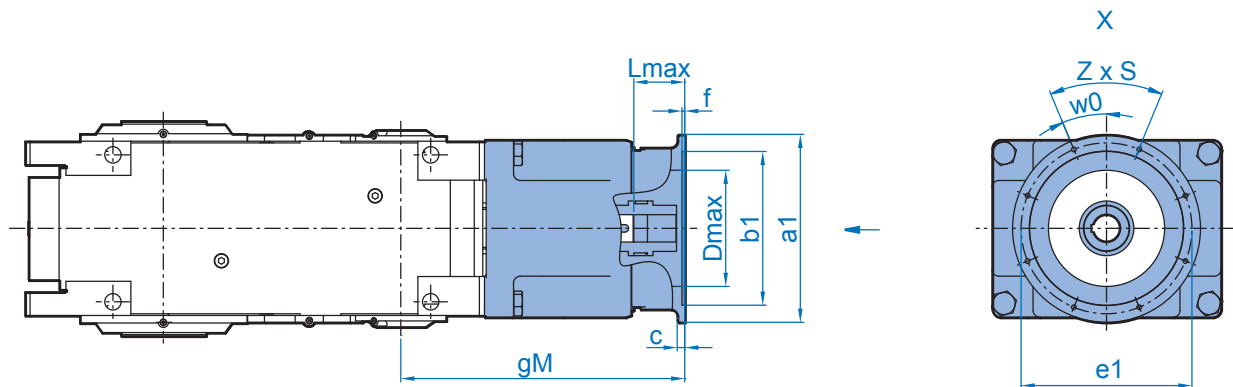


## SK 12407 / 12507 A





## SK 12407 / SK 12507

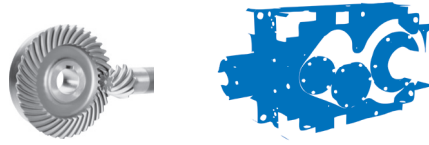


			gM	ø a1	ø b1	ø e1	c	f	z x s	w0°	ø Dmax	Lmax
SK 12407	IEC <sup>1)</sup>	160	801	350	250	300	15	6,5	4 x 17.5	45,0	228	119 / 149
		180	801	350	250	300	15	6,5	4 x 17.5	45,0	228	119 / 149
		200	801	400	300	350	17	6,5	4 x 17.5	45,0	276	119 / 149
		225	831	450	350	400	18	6,5	8 x 17.5	22,5	290	149 / 179
		250	831	550	450	500	22	8,0	8 x M16	22,5	340	149 / 179
		280	831	550	450	500	22	8,0	8 x M16	22,5	340	149 / 179
	TN <sup>2)</sup>	315T	861	660	550	600	22	8,0	8 x 22	22,5	340	179 / 209
		355T	861	900	780	840	25	8,0	8 x 22	22,5	340	179 / 209
SK 12507	IEC <sup>1)</sup>	160	650	350	250	300	15	6,5	4 x 17.5	45,0	228	116
		180	650	350	250	300	15	6,5	4 x 17.5	45,0	228	116
		200	650	400	300	350	17	6,5	4 x 17.5	45,0	276	116
		225	680	450	350	400	18	6,5	8 x 17.5	22,5	290	146
		250	680	550	450	500	22	8,0	8 x M16	22,5	340	146
		280	680	550	450	500	22	8,0	8 x M16	22,5	340	146
	TN <sup>2)</sup>	315T	710	660	550	600	22	8,0	8 x 22	22,5	340	176
		355T	710	900	780	840	25	8,0	8 x 22	22,5	340	176

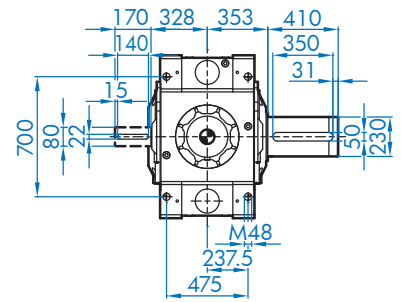
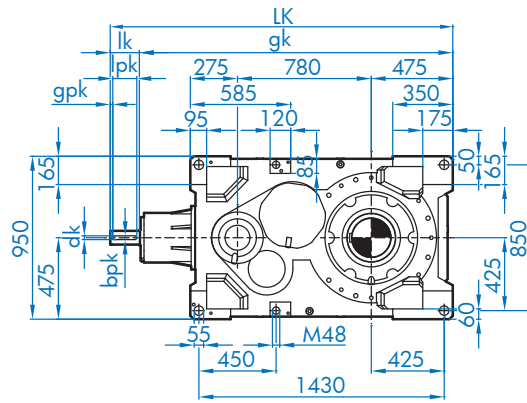
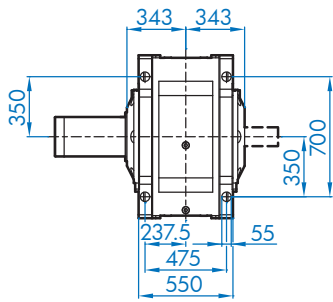
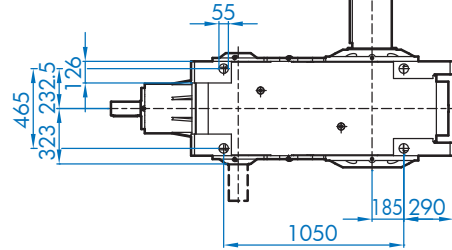
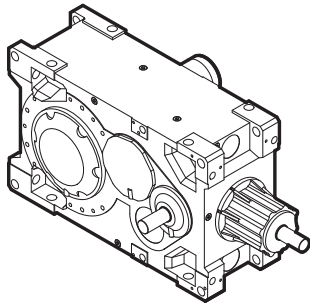
<sup>1)</sup> Type designation and dimensions up to 200kW correspond to NORD motors <sup>2)</sup> Data for Transnorm motors available on request

			gM	ø a1	ø b1	ø e1	c	f	z x s	w0°	ø Dmax	Lmax
SK 12407	NEMA	254/256 TC	824	350	215,9	184,15	38	4	4 x 1/2-13	45	220	142 / 172
		284/286 TC	824	350	266,7	228,6	38	4	4 x 1/2-13	45	220	172 / 172
		324/326 TC	835	400	317,5	279,4	51	4	4 x 5/8-11	45	265	153 / 183
		364/365 TC	865	450	317,5	279,4	52	4	4 x 5/8-11	45	280	183 / 213
		404/405 TC	879	550	317,5	279,4	70	6	4 x 5/8-11	45	330	197 / 227
		444/445 TC	911	550	406,4	355,6	102	6	4 x 5/8-11	45	330	229 / 259
		447/449 TC	906	660	406,4	355,6	67	6	4 x 5/8-11	45	330	224 / 254
SK 12507	NEMA	254/256 TC	673	350	215,9	184,15	38	4	4 x 1/2-13	45	220	139
		284/286 TC	673	350	266,7	228,6	38	4	4 x 1/2-13	45	220	139
		324/326 TC	684	400	317,5	279,4	51	4	4 x 5/8-11	45	265	150
		364/365 TC	714	450	317,5	279,4	52	4	4 x 5/8-11	45	280	180
		404/405 TC	728	550	317,5	279,4	70	6	4 x 5/8-11	45	330	194
		444/445 TC	760	550	406,4	355,6	102	6	4 x 5/8-11	45	330	226
		447/449 TC	755	660	406,4	355,6	67	6	4 x 5/8-11	45	330	221

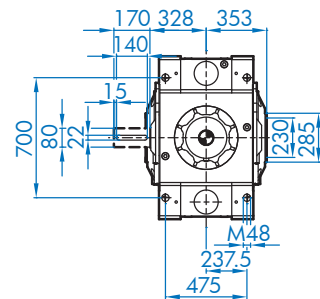
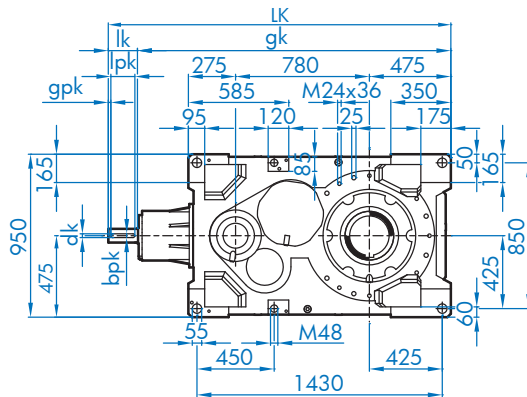
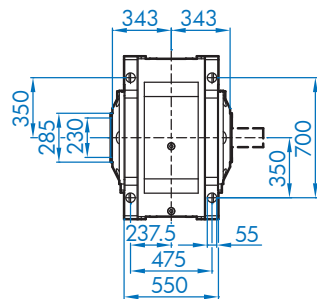
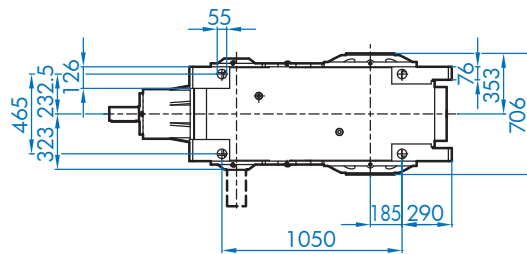
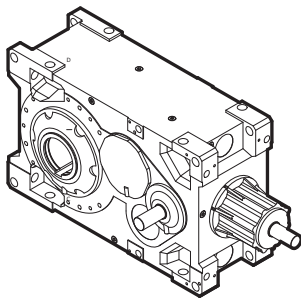
# SK 13407 / SK 13507



## SK 13407 / 13507 V



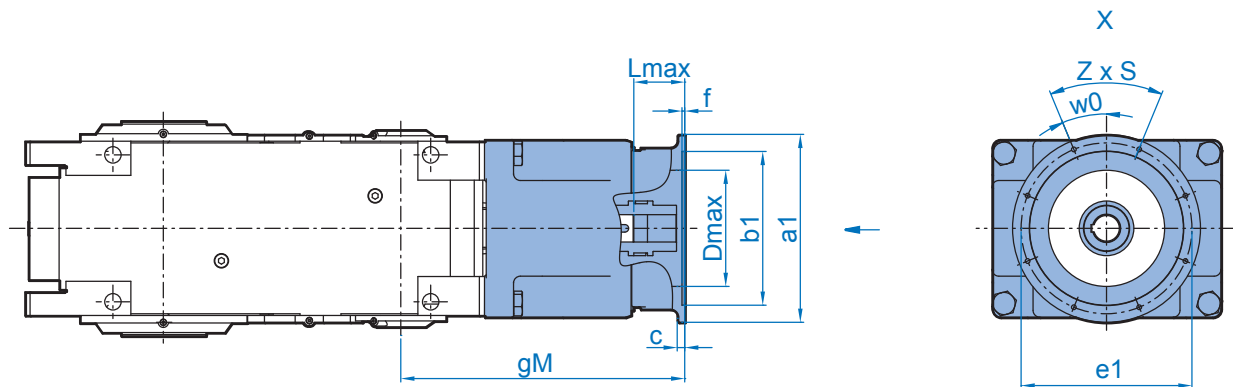
## SK 13407 / 13507 A







## SK 13407 / SK 13507

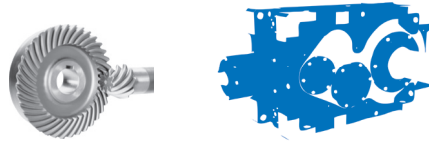


			gM	ø a1	ø b1	ø e1	c	f	z x s	w0°	ø Dmax	Lmax
SK 13407	IEC <sup>1)</sup>	160	862	350	250	300	15	6,5	4 x 17,5	45,0	228	120 / 150
		180	862	350	250	300	15	6,5	4 x 17,5	45,0	228	120 / 150
		200	862	400	300	350	17	6,5	4 x 17,5	45,0	276	120 / 150
		225	892	450	350	400	18	6,5	8 x 17,5	22,5	290	150 / 180
		250	892	550	450	500	22	8,0	8 x M16	22,5	340	150 / 180
		280	892	550	450	500	22	8,0	8 x M16	22,5	340	150 / 180
	TN <sup>2)</sup>	315	922	660	550	600	22	8,0	8 x 22	22,5	340	180 / 210
		315T	922	800	680	740	25	8,0	8 x 22	22,5	340	180 / 210
SK 13507	IEC <sup>1)</sup>	160	771	350	250	300	15	6,5	4 x 17,5	45,0	228	119
		180	771	350	250	300	15	6,5	4 x 17,5	45,0	228	119
		200	771	400	300	350	17	6,5	4 x 17,5	45,0	276	119
		225	801	450	350	400	18	6,5	8 x 17,5	22,5	290	149
		250	801	550	450	500	22	8,0	8 x M16	22,5	340	149
		280	801	550	450	500	22	8,0	8 x M16	22,5	340	149
	TN <sup>2)</sup>	315	831	660	550	600	22	8,0	8 x 22	22,5	340	179
		315T	831	800	680	740	25	8,0	8 x 22	22,5	340	179
		355T	831	900	780	840	25	8,0	8 x 22	22,5	340	179

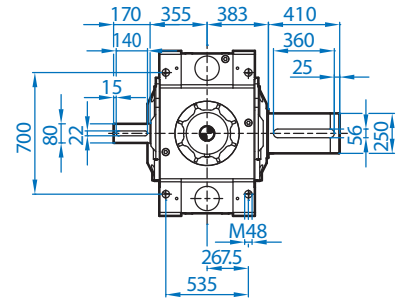
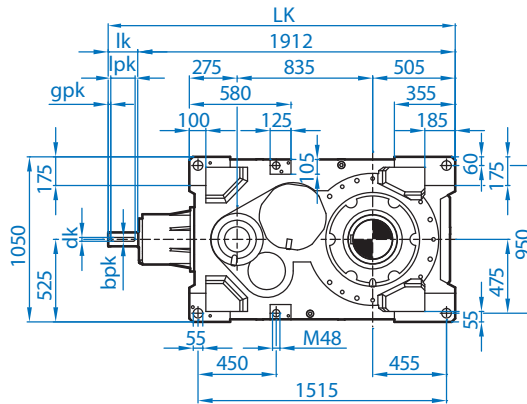
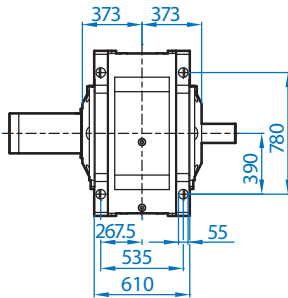
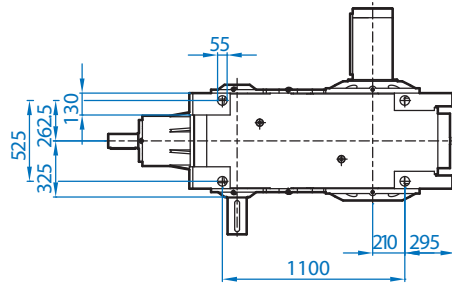
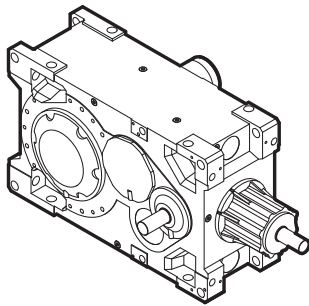
<sup>1)</sup> Type designation and dimensions up to 200kW correspond to NORD motors <sup>2)</sup> Data for Transnorm motors available on request

			gM	ø a1	ø b1	ø e1	c	f	z x s	w0°	ø Dmax	Lmax
SK 13407	NEMA	254/256 TC	885	350	215,9	184,15	38	4	4 x 1/2-13	45	220	143 / 173
		284/286 TC	885	350	266,7	228,6	38	4	4 x 1/2-13	45	220	143 / 173
		324/326 TC	896	400	317,5	279,4	51	4	4 x 5/8-11	45	265	154 / 184
		364/365 TC	926	450	317,5	279,4	52	4	4 x 5/8-11	45	280	184 / 214
		404/405 TC	940	550	317,5	279,4	70	6	4 x 5/8-11	45	330	198 / 228
		444/445 TC	972	550	406,4	355,6	102	6	4 x 5/8-11	45	330	230 / 260
		447/449 TC	967	660	406,4	355,6	67	6	4 x 5/8-11	45	330	225 / 255
SK 13507	NEMA	254/256 TC	794	350	215,9	184,15	38	4	4 x 1/2-13	45	220	142
		284/286 TC	794	350	266,7	228,6	38	4	4 x 1/2-13	45	220	142
		324/326 TC	805	400	317,5	279,4	51	4	4 x 5/8-11	45	265	153
		364/365 TC	835	450	317,5	279,4	52	4	4 x 5/8-11	45	280	183
		404/405 TC	849	550	317,5	279,4	70	6	4 x 5/8-11	45	330	197
		444/445 TC	881	550	406,4	355,6	102	6	4 x 5/8-11	45	330	229
		447/449 TC	876	660	406,4	355,6	67	6	4 x 5/8-11	45	330	224

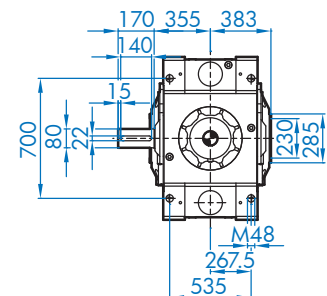
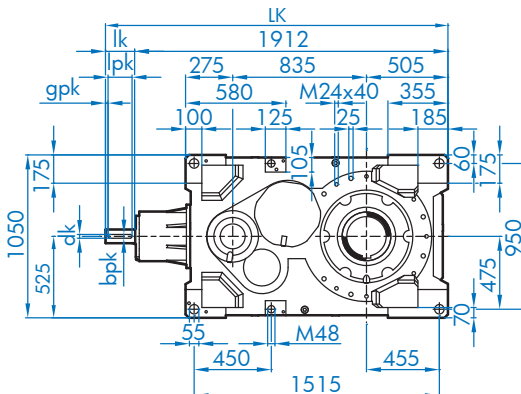
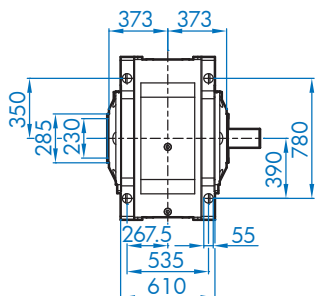
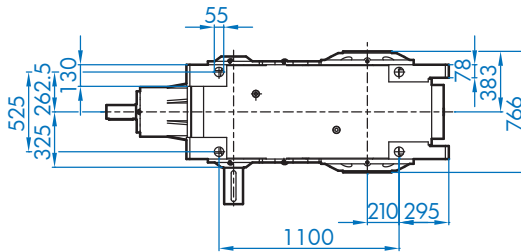
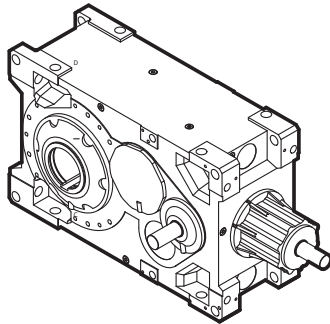
# SK 14407 / SK 14507



## SK 14407 / 14507 V

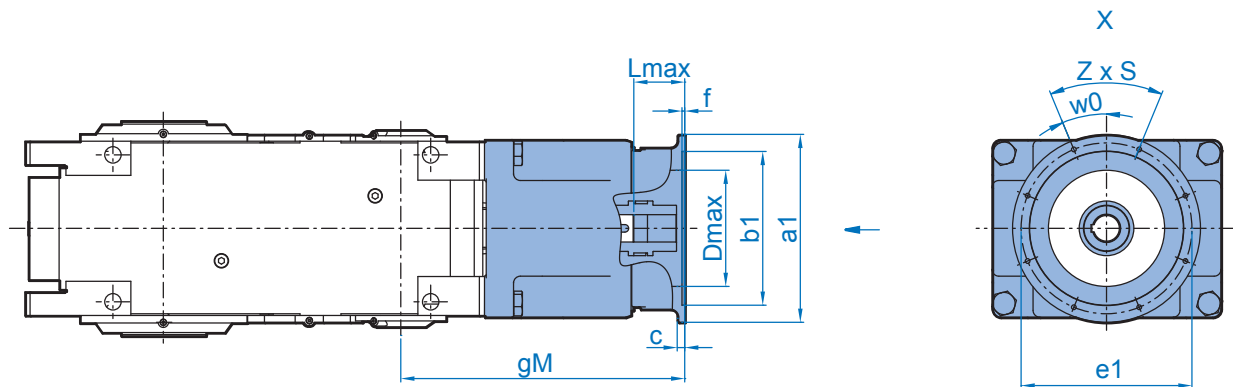


## SK 14407 / 14507 A





## SK 14407 / SK 14507

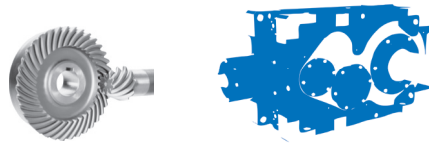


			gM	ø a1	ø b1	ø e1	c	f	z x s	w0°	ø Dmax	Lmax
SK 14407	IEC <sup>1)</sup>	160	862	350	250	300	15	6,5	4 x 17,5	45,0	228	120 / 150
		180	862	350	250	300	15	6,5	4 x 17,5	45,0	228	120 / 150
		200	862	400	300	350	17	6,5	4 x 17,5	45,0	276	120 / 150
		225	892	450	350	400	18	6,5	8 x 17,5	22,5	290	150 / 180
		250	892	550	450	500	22	8,0	8 x M16	22,5	340	150 / 180
		280	892	550	450	500	22	8,0	8 x M16	22,5	340	150 / 180
	TN <sup>2)</sup>	315	922	660	550	600	22	8,0	8 x 22	22,5	340	180 / 210
		355	922	900	780	840	25	8,0	8 x 22	22,5	340	180 / 210
SK 14507	IEC <sup>1)</sup>	160	862	350	250	300	15	6,5	4 x 17,5	45,0	228	150
		180	862	350	250	300	15	6,5	4 x 17,5	45,0	228	150
		200	862	400	300	350	17	6,5	4 x 17,5	45,0	276	150
		225	892	450	350	400	18	6,5	8 x 17,5	22,5	290	180
		250	892	550	450	500	22	8,0	8 x M16	22,5	340	180
		280	892	550	450	500	22	8,0	8 x M16	22,5	340	180
	TN <sup>2)</sup>	315	922	660	550	600	22	8,0	8 x 22	22,5	340	210
		355	922	900	780	840	25	8,0	8 x 22	22,5	340	210

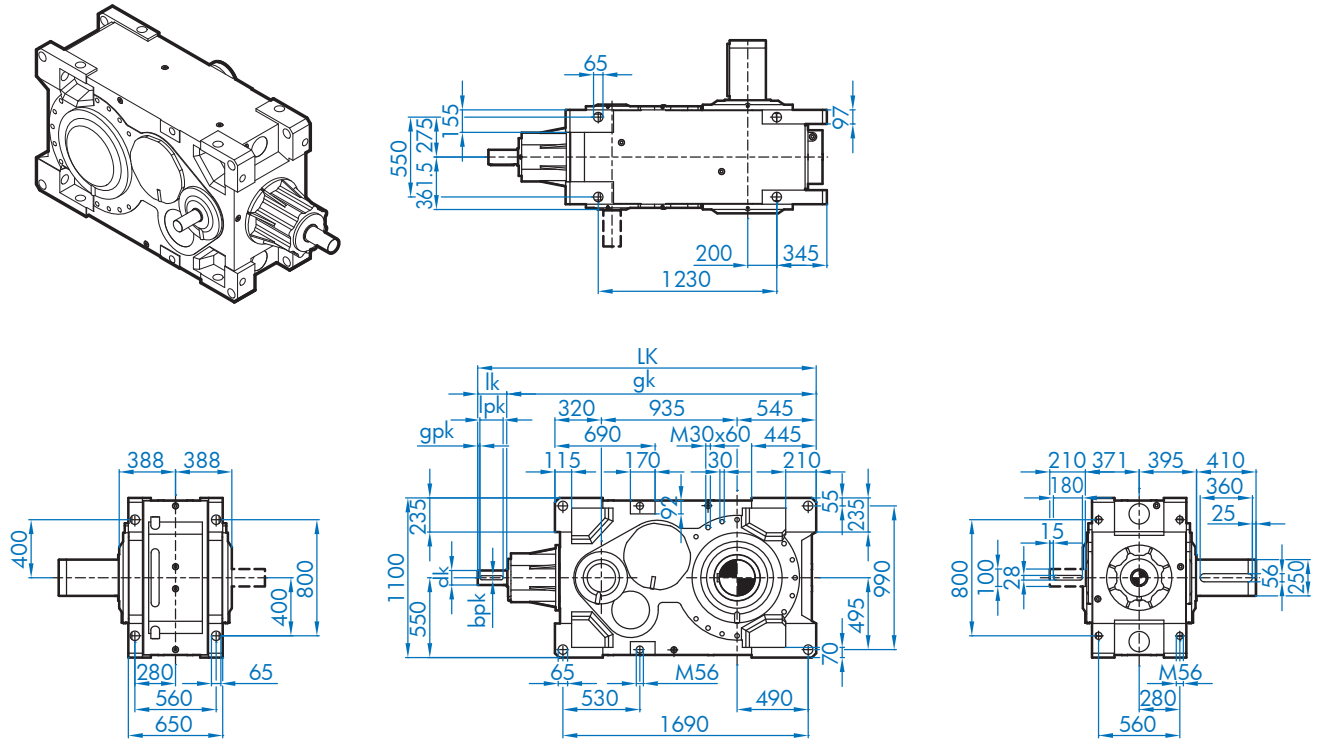
<sup>1)</sup> Type designation and dimensions up to 200kW correspond to NORD motors <sup>2)</sup> Data for Transnorm motors available on request

			gM	ø a1	ø b1	ø e1	c	f	z x s	w0°	ø Dmax	Lmax
SK 14407	NEMA	254/256 TC	885	350	215,9	184,15	38	4	4 x 1/2-13	45	220	143 / 173
		284/286 TC	885	350	266,7	228,6	38	4	4 x 1/2-13	45	220	143 / 173
		324/326 TC	896	400	317,5	279,4	51	4	4 x 5/8-11	45	265	154 / 184
		364/365 TC	926	450	317,5	279,4	52	4	4 x 5/8-11	45	280	184 / 214
		404/405 TC	940	550	317,5	279,4	70	6	4 x 5/8-11	45	330	198 / 228
		444/445 TC	972	550	406,4	355,6	102	6	4 x 5/8-11	45	330	230 / 260
		447/449 TC	967	660	406,4	355,6	67	6	4 x 5/8-11	45	330	225 / 255
SK 14507	NEMA	254/256 TC	794	350	215,9	184,15	38	4	4 x 1/2-13	45	220	142
		284/286 TC	794	350	266,7	228,6	38	4	4 x 1/2-13	45	220	142
		324/326 TC	805	400	317,5	279,4	51	4	4 x 5/8-11	45	265	153
		364/365 TC	835	450	317,5	279,4	52	4	4 x 5/8-11	45	280	183
		404/405 TC	849	550	317,5	279,4	70	6	4 x 5/8-11	45	330	197
		444/445 TC	881	550	406,4	355,6	102	6	4 x 5/8-11	45	330	229
		447/449 TC	876	660	406,4	355,6	67	6	4 x 5/8-11	45	330	224

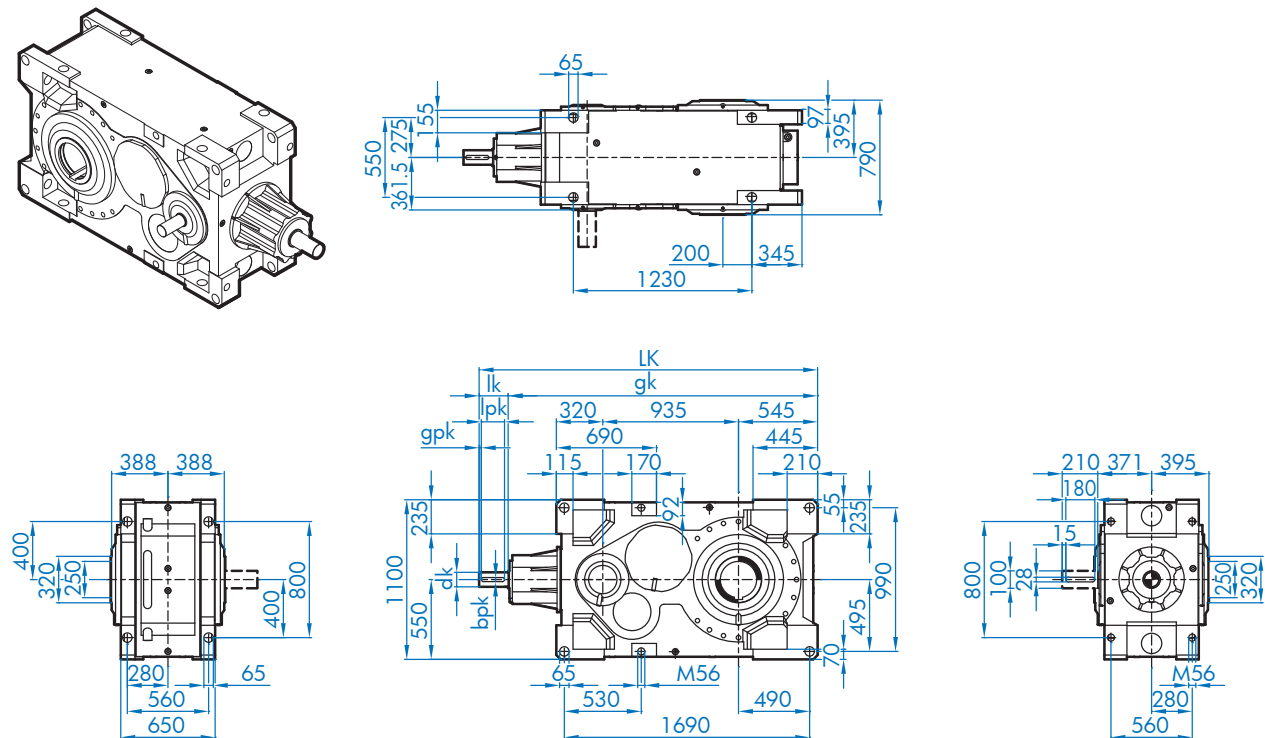
# SK 15407 / SK 15507



## SK 15407 / 15507 V

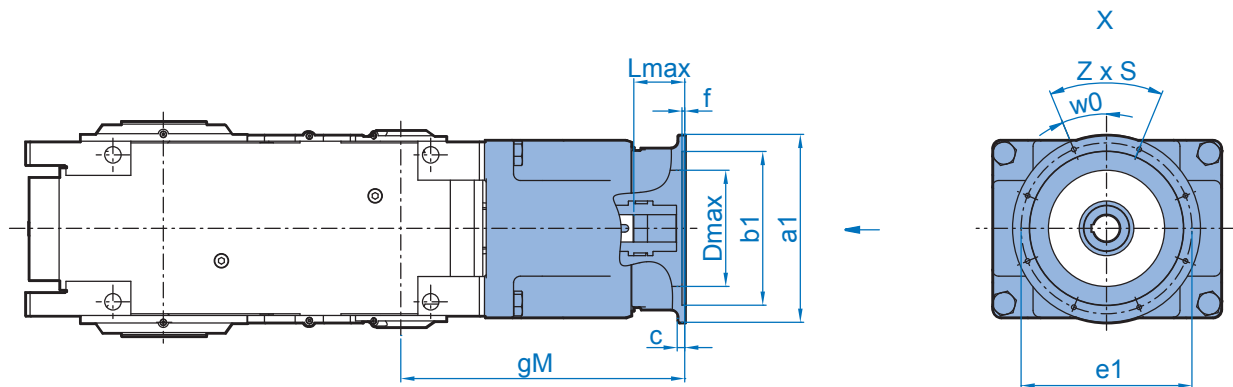


## SK 15407 / 15507 A





## SK 15407 / SK 15507



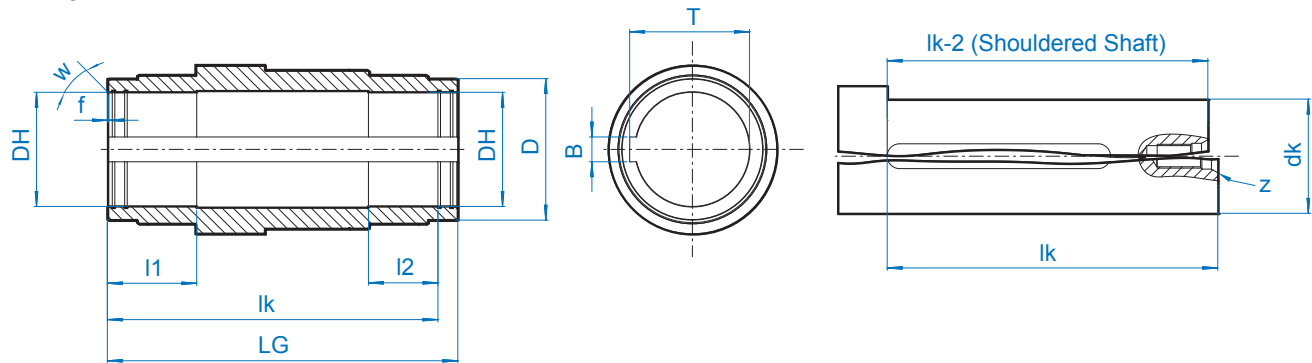
			gM	a1	b1	e1	c	f	z x s	w0°	Dmax	Lmax
SK 15407	IEC <sup>1)</sup>	160	972	350	250	300	15	6,5	4 x 17,5	45,0	228	120 / 150
		180	972	350	250	300	15	6,5	4 x 17,5	45,0	228	120 / 150
		200	972	400	300	350	17	6,5	4 x 17,5	45,0	276	120 / 150
		225	1002	450	350	400	18	6,5	8 x 17,5	22,5	290	150 / 180
		250	1002	550	450	500	22	8,0	8 x M16	22,5	340	150 / 180
		280	1002	550	450	500	22	8,0	8 x M16	22,5	340	150 / 180
	TN <sup>2)</sup>	315T	1032	660	550	600	22	8,0	8 x 22	22,5	340	180 / 210
		355T	1032	900	780	840	25	8,0	8 x 22	22,5	340	180 / 210
SK 15507	IEC <sup>1)</sup>	160	832	350	250	300	15	6,5	4 x 17,5	45,0	228	120
		180	832	350	250	300	15	6,5	4 x 17,5	45,0	228	120
		200	832	400	300	350	17	6,5	4 x 17,5	45,0	276	120
		225	862	450	350	400	18	6,5	8 x 17,5	22,5	290	150
		250	862	550	450	500	22	8,0	8 x M16	22,5	340	150
		280	862	550	450	500	22	8,0	8 x M16	22,5	340	150
	TN <sup>2)</sup>	315T	892	660	550	600	22	8,0	8 x 22	22,5	340	180
		355T	892	900	780	840	25	8,0	8 x 22	22,5	340	180

<sup>1)</sup> Type designation and dimensions up to 200kW correspond to NORD motors <sup>2)</sup> Data for Transnorm motors available on request

			gM	a1	b1	e1	c	f	z x s	w0°	Dmax	Lmax
SK 15407	NEMA	254/256 TC	995	350	215,9	184,15	38	4	4 x 1/2-13	45	220	143 / 173
		284/286 TC	995	350	266,7	228,6	38	4	4 x 1/2-13	45	220	143 / 173
		324/326 TC	1006	400	317,5	279,4	51	4	4 x 5/8-11	45	265	154 / 184
		364/365 TC	1036	450	317,5	279,4	52	4	4 x 5/8-11	45	280	184 / 214
		404/405 TC	1050	550	317,5	279,4	70	6	4 x 5/8-11	45	330	198 / 228
		444/445 TC	1082	550	406,4	355,6	102	6	4 x 5/8-11	45	330	230 / 260
		447/449 TC	1077	660	406,4	355,6	67	6	4 x 5/8-11	45	330	225 / 255
SK 15507	NEMA	254/256 TC	855	350	215,9	184,15	38	4	4 x 1/2-13	45	220	143
		284/286 TC	855	350	266,7	228,6	38	4	4 x 1/2-13	45	220	143
		324/326 TC	866	400	317,5	279,4	51	4	4 x 5/8-11	45	265	154
		364/365 TC	896	450	317,5	279,4	52	4	4 x 5/8-11	45	280	184
		404/405 TC	910	550	317,5	279,4	70	6	4 x 5/8-11	45	330	198
		444/445 TC	942	550	406,4	355,6	102	6	4 x 5/8-11	45	330	230
		447/449 TC	937	660	406,4	355,6	67	6	4 x 5/8-11	45	330	225

# A - Keyed Hollow Shaft AVL2 / 3 / 4 - Agitator & Drywell Hollow Shaft

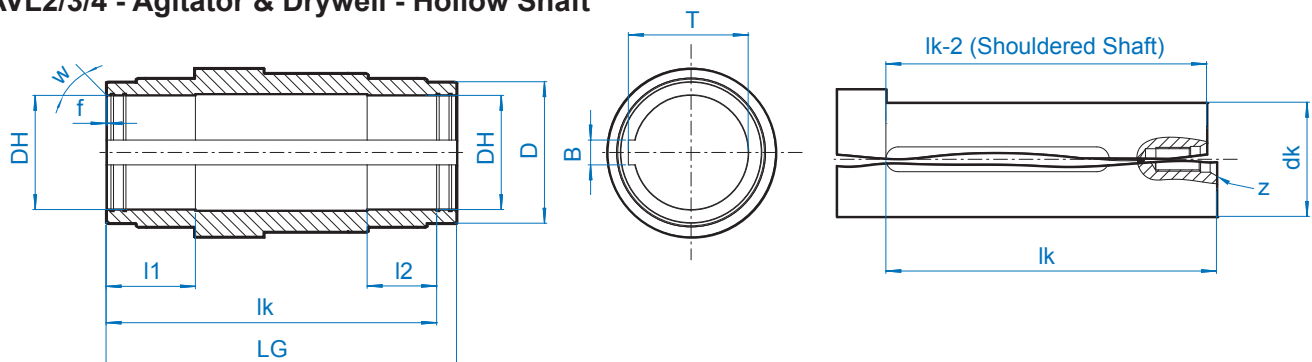
## A - Keyed Hollow Shaft & Customer Shaft Detail



	$\varnothing DH^{H7}$	LG	$\varnothing dk^{h6}$	lk	lk-2	l1	l2	$\varnothing D$	f	w	B	T	z
SK 5.07	105	385	105	355	353	100	70	140	3	15	28	111,4	M24
SK 6.07	105	385	105	355	353	100	70	140	3	15	28	111,4	M24
SK 7.07	125	394	125	359	357	100	65	160	2	30	32	132,4	M24
SK 8.07	125	394	125	359	357	100	65	160	2	30	32	132,4	M24
SK 9.07 *	160 (145)	506	160	486	484	130	110	220	2	30	40	169,4	M36
SK 10.07*	160 (145)	506	160	486	484	130	110	220	2	30	40	169,4	M36
SK 11.07	170	560	170	525	523	140	105	240	2	30	40	179,4	M36
SK 12.07	190	630	190	595	593	160	125	250	2	30	45	200,4	M36
SK 13.07	230	706	230	666	664	180	140	285	2	30	50	241,4	M48
SK 14.07	230	766	230	726	724	180	140	285	2	30	50	241,4	M48
SK 15.07	250	790	250	745	743	200	155	320	2	30	56	262,4	M48

\* to Option DRY max.  $\varnothing 145$

## AVL2/3/4 - Agitator & Drywell - Hollow Shaft

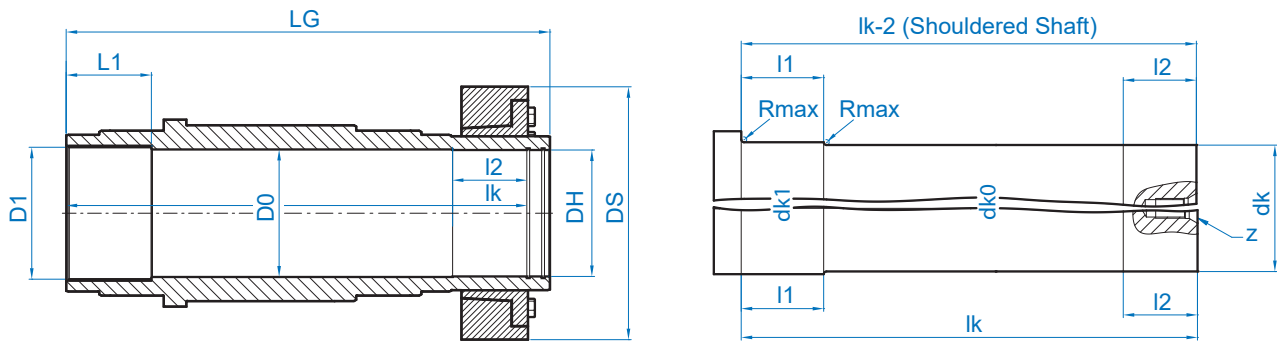


	$\varnothing DH^{H7}$	LG	$\varnothing dk^{h6}$	lk	lk-2	l1	l2	$\varnothing D$	f	w	B	T	z
SK 5.07	105	594	105	564	562	100	70	140	3	15	28	111,4	M24
SK 6.07	105	594	105	564	562	100	70	140	3	15	28	111,4	M24
SK 7.07	125	682	125	647	645	100	80	160	2	30	32	132,4	M24
SK 8.07	125	682	125	647	645	100	80	160	2	30	32	132,4	M24
SK 9.07	130	770,5	160	745,5	743,5	110	80	220	2	30	40	169,4	M36
SK 10.07	130	770,5	160	745,5	743,5	110	80	220	2	30	40	169,4	M36
SK 11.07	170	730	170	695	693	140	105	240	2	30	40	179,4	M36
SK 12.07	190	800	190	765	763	160	125	250	2	30	45	200,4	M36
SK 13.07	230	896	230	856	854	180	140	285	2	30	50	241,4	M48
SK 14.07	230	956	230	916	914	180	140	285	2	30	50	241,4	M48
SK 15.07	250	1040	250	995	993	200	155	320	2	30	56	262,4	M48

For Tolerance Info see 56

Dimensions

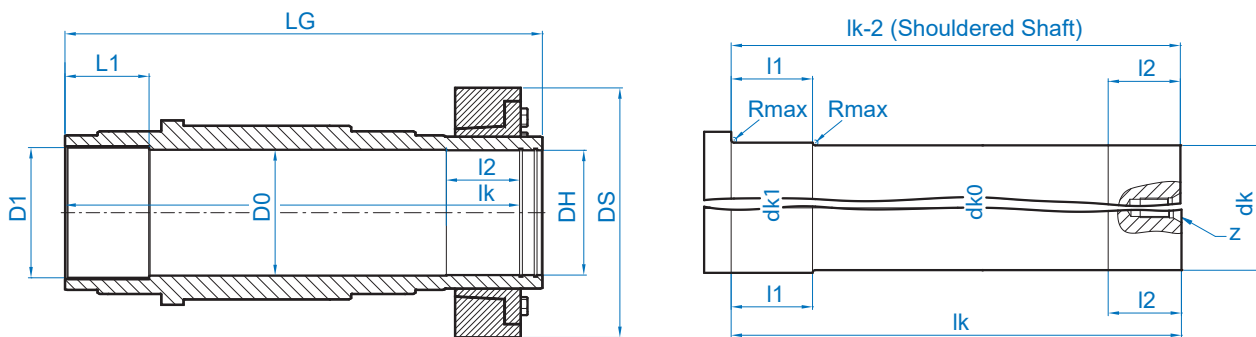
## AS - Shrink Disc Hollow Shaft



	$\varnothing DH^{H7}$	$\varnothing D0$	$\varnothing D1$	L1	$\varnothing DS$	LG	$\varnothing dk1^{h8}$	$\varnothing dk0$	$\varnothing dk$	lk	lk-2	l1	l2	Rmax	z
SK 5.07	110	110,5	110	85	230	458	110	110	110 h6	448	446	80	65	3	M24
SK 6.07	110	110,5	110	85	230	458	110	110	110 h6	448	446	80	65	3	M24
SK 7.07	125	125,5	125	90	290	484	125	125	125 h6	465	463	100	65	3	M24
SK 8.07	125	125,5	125	90	290	484	125	125	125 h6	465	463	100	65	3	M24
SK 9.07 *	160 (145)	160,5	160	110	320	628	160	160	160 h6	596	594	110	85	3	M36
SK 10.07 *	160 (145)	160,5	160	110	320	628	160	160	160 h6	596	594	110	85	3	M36
SK 11.07	170	172	180	125	370	690	180	170	170 g6	658	656	125	105	5	M36
SK 12.07	190	192	200	135	405	770	200	190	190 g6	736	734	130	120	5	M36
SK 13.07	230	232	240	155	460	880	240	230	230 g6	838	836	150	135	5	M48
SK 14.07	230	232	240	155	460	940	240	230	230 g6	898	896	150	135	5	M48
SK 15.07	250	252	260	175	485	970	260	250	250 g6	928	926	175	150	5	M48

\* to Option DRY max.  $\varnothing 145$

## ASVL2/3/4 - Agitator & Drywell - Hollow Shaft with Shrink Disc



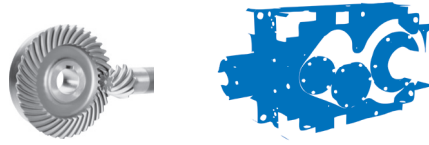
	$\varnothing DH^{H7}$	$\varnothing D0$	$\varnothing D1$	L1	$\varnothing DS$	LG	$\varnothing dk1^{h8}$	$\varnothing dk0$	$\varnothing dk$	lk	lk2	l1	l2	Rmax	z
SK 5.07	110	110,5	110	85	230	667	110	110	110 h6	657	655	80	65	3	M24
SK 6.07	110	110,5	110	85	230	667	110	110	110 h6	657	655	80	65	3	M24
SK 7.07	125	125,5	125	90	300	767	125	125	125 h6	752	750	100	65	3	M24
SK 8.07	125	125,5	125	90	300	767	125	125	125 h6	752	750	100	65	3	M24
SK 9.07	130	160,5	160	110	320	889,5	160	160	160 h6	854,5	852,5	110	82	3	M36
SK 10.07	130	160,5	160	110	320	889,5	160	160	160 h6	854,5	852,5	110	82	3	M36
SK 11.07	170	172	180	125	370	860	180	170	170 g6	835	833	125	105	5	M36
SK 12.07	190	192	200	135	405	940	200	190	190 g6	926	924	130	120	5	M36
SK 13.07	230	232	240	155	460	1070	240	230	230 g6	1034	1032	155	135	5	M48
SK 14.07	230	232	240	155	460	1130	240	230	230 g6	1084	1082	155	135	5	M48
SK 15.07	250	252	260	175	485	1220	260	250	250 g6	1194	1192	170	150	5	M48

For Tolerance info see → 56

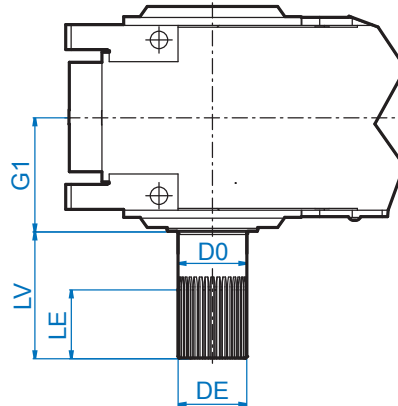
Dimensions

# EV - Splined Solid Shaft

## EA - Splined Hollow Shaft

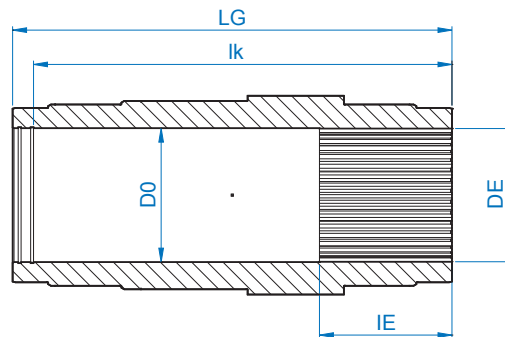


### EV - Splined Solid Shaft



	DE	LE	G1	LV	ø D0
SK 5.07	W 100 x 5 x 30 x 18 - DIN 5480	85	192,5	210	100
SK 6.07	W 100 x 5 x 30 x 18 - DIN 5480	85	192,5	210	100
SK 7.07	W 130 x 5 x 30 x 24 - DIN 5480	85	197	250	130
SK 8.07	W 130 x 5 x 30 x 24 - DIN 5480	85	197	250	130
SK 9.07	W 140 x 3 x 30 x 45 - DIN 5480	100	253	300	140
SK 10.07	W 140 x 3 x 30 x 45 - DIN 5480	100	253	300	140
SK 11.07	W 170 x 5 x 30 x 32 - DIN 5480	160	280	300	170
SK 12.07	W 190 x 5 x 30 x 36 - DIN 5480	190	315	350	190
SK 13.07	W 220 x 5 x 30 x 42 - DIN 5480	215	353	410	220
SK 14.07	W 220 x 5 x 30 x 42 - DIN 5480	215	353	410	220
SK 15.07	W 250 x 5 x 30 x 48 - DIN 5480	245	395	410	250

### EA - Splined Hollow Shaft



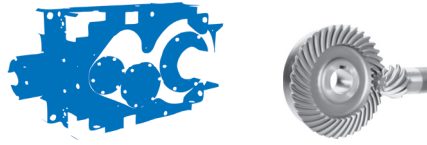
	DE	LE	LG	ø D0	lk
SK 5.07	N 100 x 5 x 30 x 18 - DIN 5480	85	385	100	355
SK 6.07	N 100 x 5 x 30 x 18 - DIN 5480	85	385	100	355
SK 7.07	N 130 x 5 x 30 x 24 - DIN 5480	85	394	130	374
SK 8.07	N 130 x 5 x 30 x 24 - DIN 5480	85	394	130	374
SK 9.07 *	N 140 x 3 x 30 x 45 - DIN 5480	100	506	140	476
SK 10.07*	N 140 x 3 x 30 x 45 - DIN 5480	100	506	140	476
SK 11.07	N 170 x 5 x 30 x 32 - DIN 5480	160	560	170	525
SK 12.07	N 190 x 5 x 30 x 36 - DIN 5480	190	630	190	595
SK 13.07	N 220 x 5 x 30 x 42 - DIN 5480	215	706	220	666
SK 14.07	N 220 x 5 x 30 x 42 - DIN 5480	215	706	220	666
SK 15.07	N 250 x 5 x 30 x 48 - DIN 5480	245	790	250	745

\* Deviating dimensions with option DRY, please contact NORD DRIVESYSTEMS.

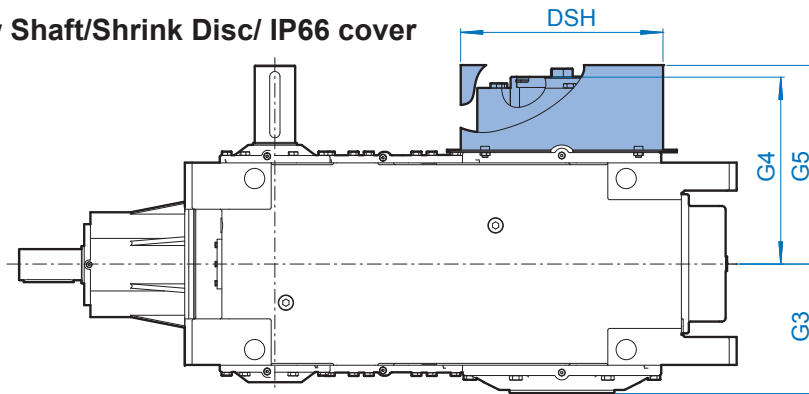
For Tolerance Info see 56

Dimensions





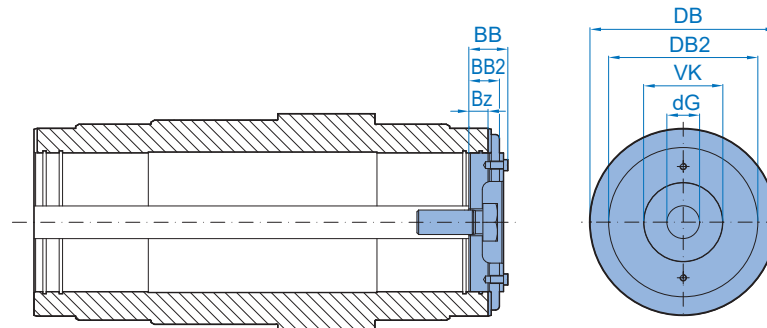
## H/H66 - Hollow Shaft/Shrink Disc/ IP66 cover



	∅ DSH	G3	G4	G5
SK 5.07	258	192,5	255,5	287,5
SK 6.07	258	192,5	255,5	287,5
SK 7.07	319	199	286	308
SK 8.07	319	199	286	308
SK 9.07	453	253	373	393
SK 10.07	453	253	373	393
SK 11.07	460	280	410	440
SK 12.07	500	315	455	480
SK 13.07	550	353	527	555
SK 14.07	550	383	557	585
SK 15.07	630	395	575	605

Other cover sizes available upon request

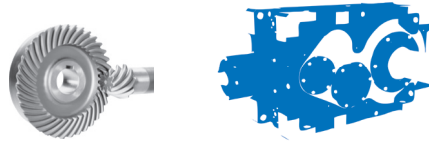
## B - Fixing Kit



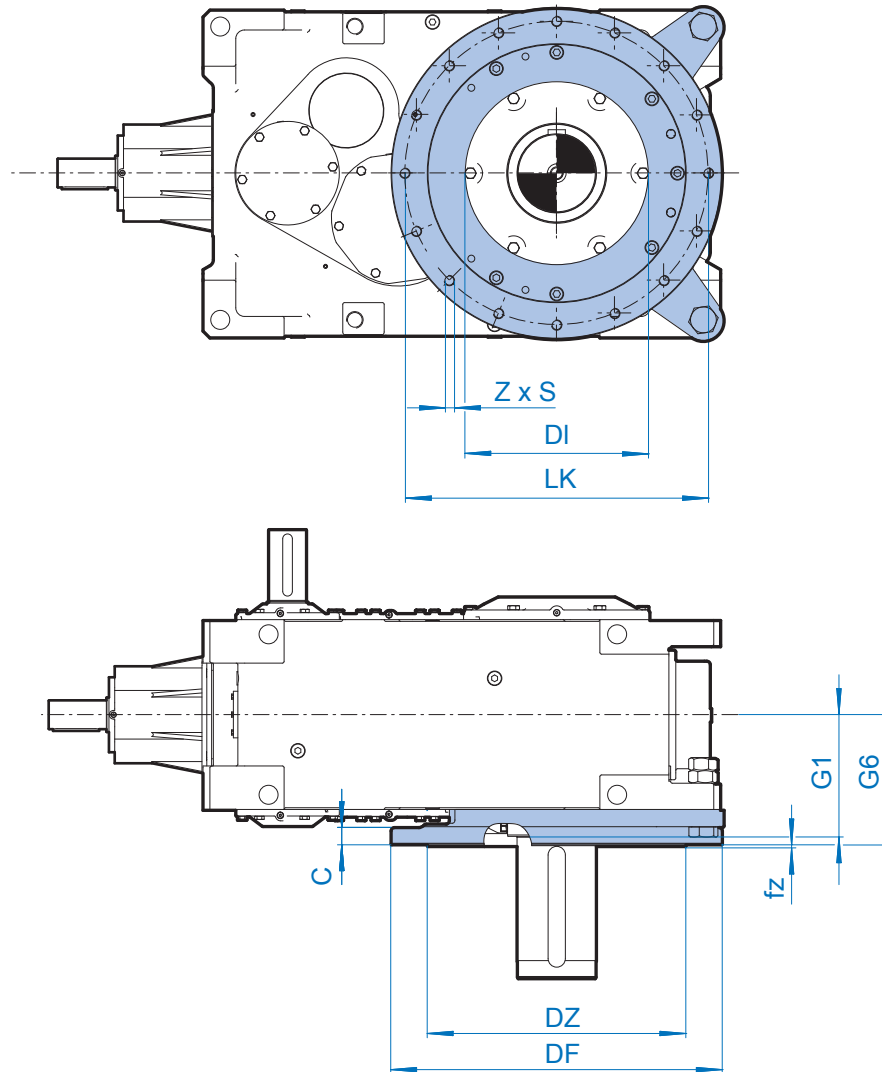
	∅ DB	∅ DB2	∅ VK	BB	BB2	Bz	∅ dG
SK 5.07	135	-	62	30,0	30,0	10,0	26 (M24)
SK 6.07	135	-	62	30,0	30,0	10,0	26 (M24)
SK 7.07	155	124,8	49	27,0	22,0	10,0	26 (M24)
SK 8.07	155	124,8	49	27,0	22,0	10,0	26 (M24)
SK 9.07	215	159,8	100	42,5	27,5	15,5	33 (M36)
SK 10.07	215	159,8	100	42,5	27,5	15,5	33 (M36)
SK 11.07	215	169,8	100	42,5	37,5	27,5	33 (M36)
SK 12.07	235	189,8	100	44,5	39,5	29,5	33 (M36)
SK 13.07	275	229,8	100	56,5	51,5	36,5	52 (M48)
SK 14.07	275	229,8	100	56,5	51,5	36,5	52 (M48)
SK 15.07	295	∅ 249,8	100	56,5	51,5	36,5	52 (M48)

Other sizes available upon request

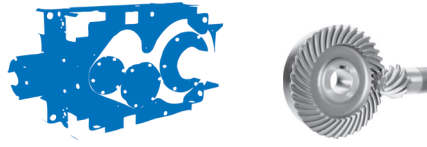
# F - Low Output Flange



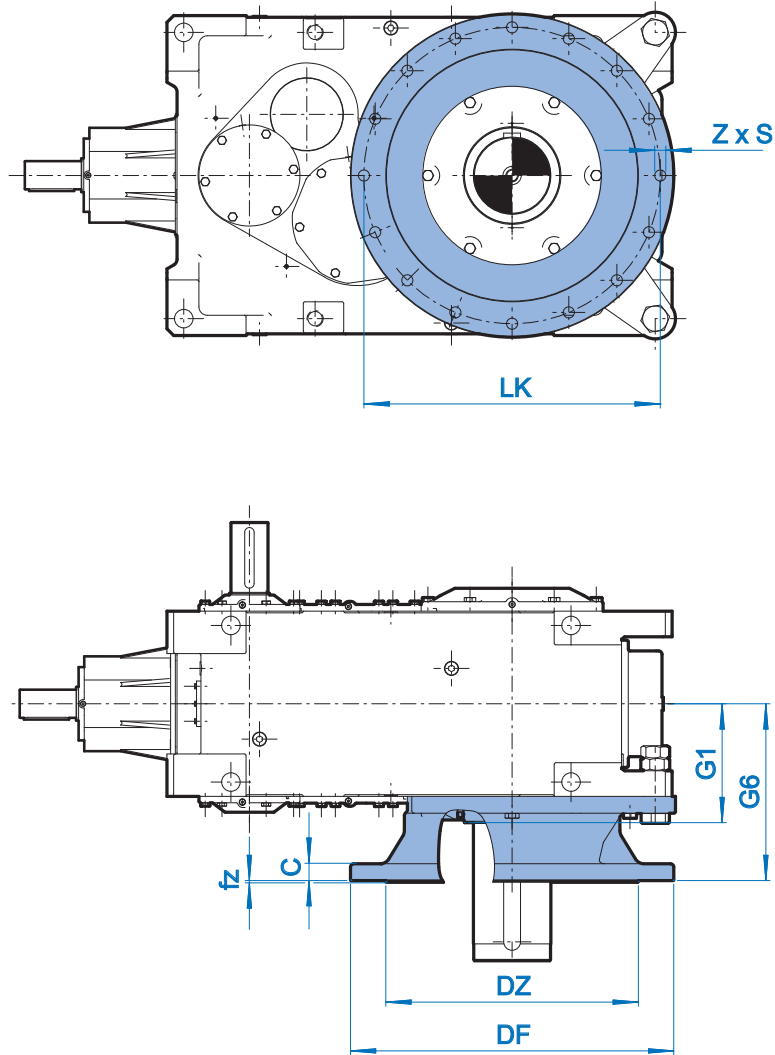
## F - Low Output Flange



	$\varnothing DF$	G1	G6	$\varnothing LK$	$\varnothing DZ$	$\varnothing DI$	c	fz	z	s
SK 5.07	950	192,5	234,5	400	350	250	22	5	8	M16
SK 6.07	950	192,5	234,5	400	350	250	22	5	8	M16
SK 7.07	550	197	237	500	450	308	28	5	8	M16
SK 8.07	550	197	237	500	450	308	28	5	8	M16
SK 9.07	660	253	297,5	600	550	434	35	8	8	M24
SK 10.07	660	253	297,5	600	550	434	35	8	8	M24
SK 11.07	730	280	300	680	580	420	40	5	12	M24
SK 12.07	840	315	304	760	650	470	50	5	12	M30
SK 13.07	960	353	375	880	750	530	50	5	16	M30
SK 14.07	960	383	405	880	750	530	50	5	16	M30
SK 15.07	1100	395	435	980	900	600	60	10	16	M36



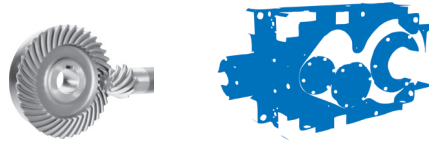
## FK - High Output Flange



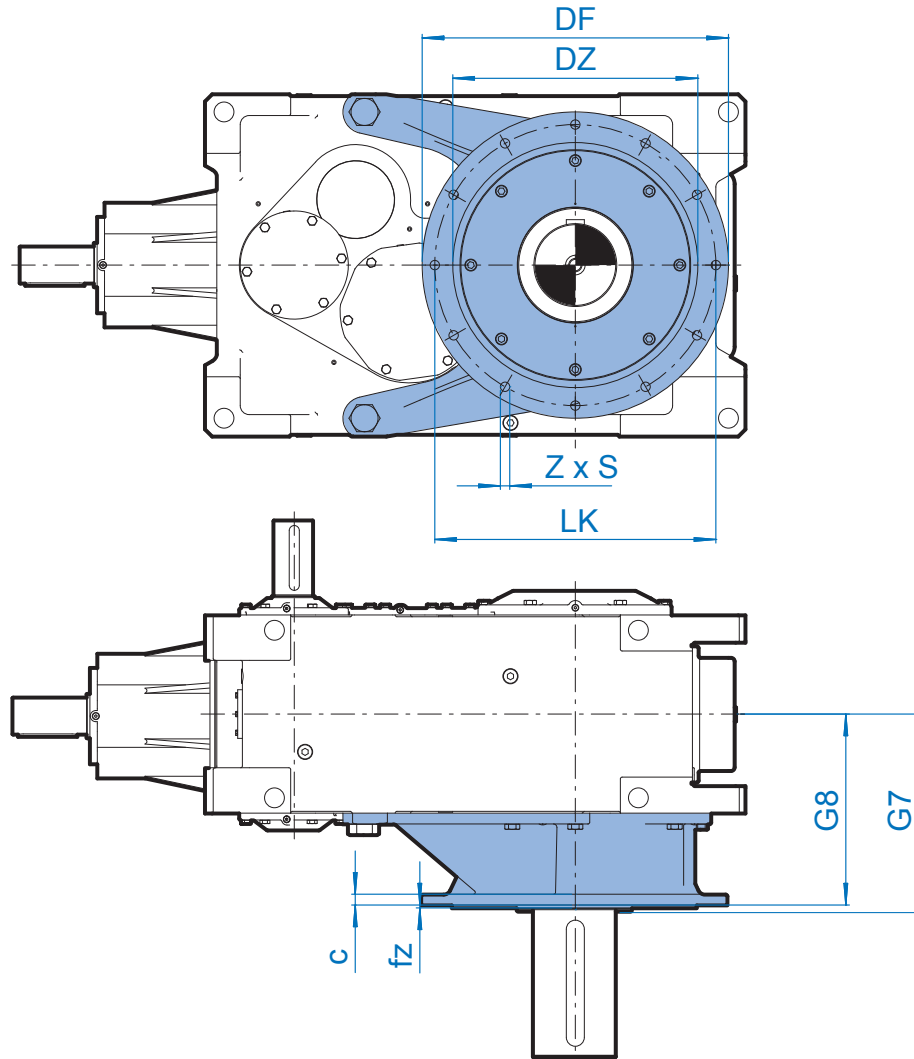
	ø DF	G1	G6	ø LK	DZ	DI	c	fz	z	ø s
SK 5.07	950	192,5	234,5	400	350	250	22	5	8	17,5
SK 6.07	950	192,5	234,5	400	350	259	22	5	8	17,5
SK 7.07	550	197	237	500	450	308	28	5	8	17,5
SK 8.07	550	197	237	500	450	308	28	5	8	17,5
SK 9.07	660	253	297,5	600	550	434	35	8	8	26
SK 10.07	660	253	297,5	600	550	434	35	8	8	26
SK 11.07	730	280	420	680	560	420	40	5	12	26
SK 12.07	840	315	470	760	650	470	50	5	12	33
SK 13.07	960	353	525	880	750	530	50	5	16	33
SK 14.07	---	---	---	---	---	---	---	---	---	---
SK 15.07	---	---	---	---	---	---	---	---	---	---

Dimensions

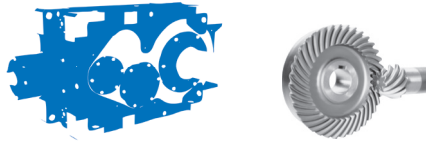
# FVL2/FVL3/FVL4 - Agitator & Drywell Flange



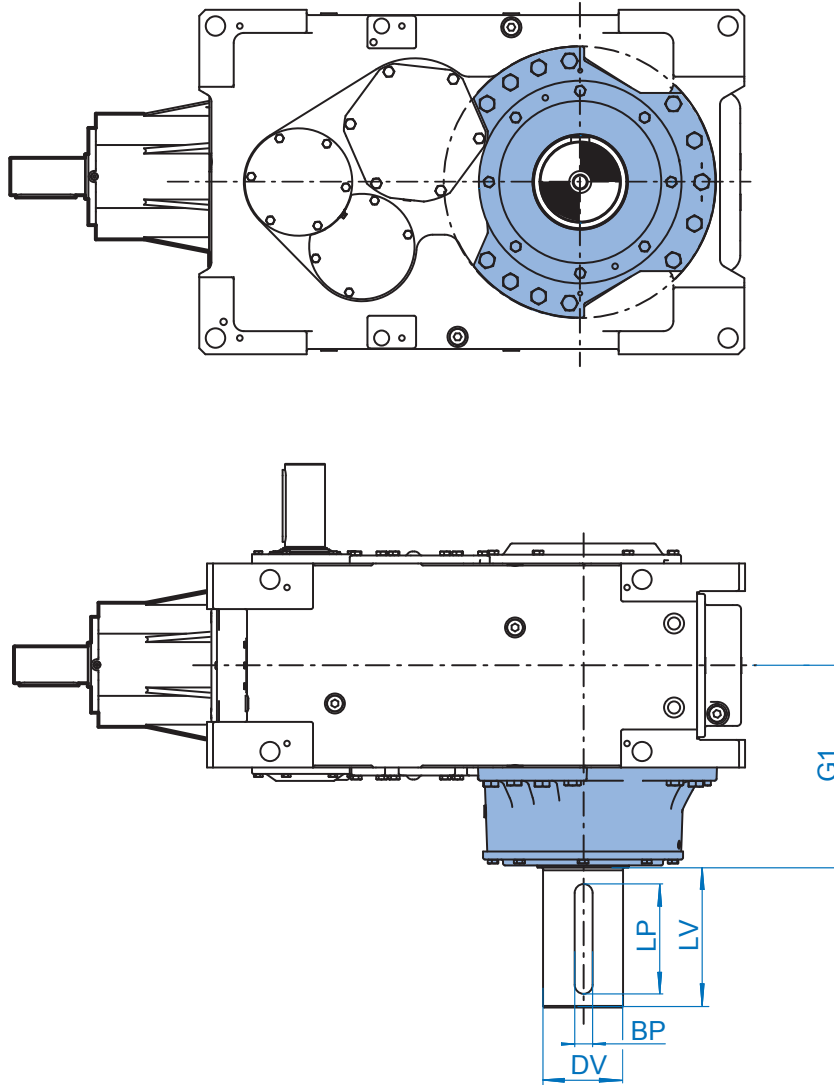
## FVL2/FVL3/FVL4 - Agitator & Drywell Flange



	G7	G8	ø DF	ø DZ	ø LK	fz	c	z	s
SK 5.07	401,5	396,5	550	450	500	5	29,5	8	17,5
SK 6.07	401,5	396,5	550	450	500	5	29,5	8	17,5
SK 7.07	485	477	660	550	600	6	28,5	8	22
SK 8.07	485	477	660	550	600	6	28,5	8	22
SK 9.07	517,5	509,5	660	550	600	8	35	8	26
SK 10.07	517,5	509,5	660	550	600	8	35	8	26
SK 11.07	450	440	675	540	620	5	40	10	22
	465	455	760	600	700	5	50	12	22
SK 12.07	485	470	760	600	700	5	50	12	22
SK 13.07	543	530	850	680	780	5	50	12	26
SK 14.07	575	560	850	680	780	5	50	12	26
SK 15.07	645	630	1000	800	930	8	60	16	33

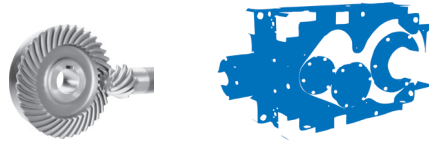


## VL6 - Agitator Without Flange

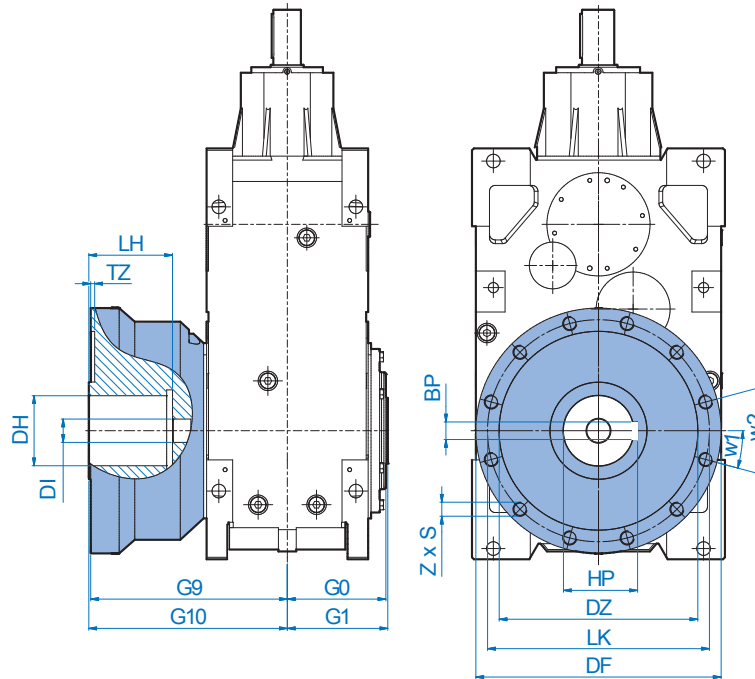


	G1	LV	ø DV	LP	BP
SK 5.07	401,5	210	120	180	32
SK 6.07	401,5	210	120	180	32
SK 7.07	485	250	140	200	36
SK 8.07	485	250	140	200	36
SK 9.07	517,5	300	160	260	40
SK 10.07	517,5	300	160	260	40
SK 11.07	450	300	170	260	40
SK 12.07	505	350	200	300	45
SK 13.07	542	410	230	350	50
SK 14.07	572	410	250	360	56
SK 15.07	645	410	250	360	56

# VL5 - Extruder Flange

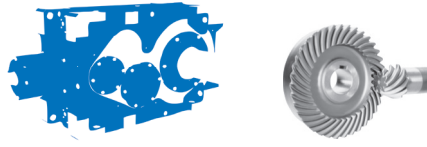


## VL5 - Extruder Flange

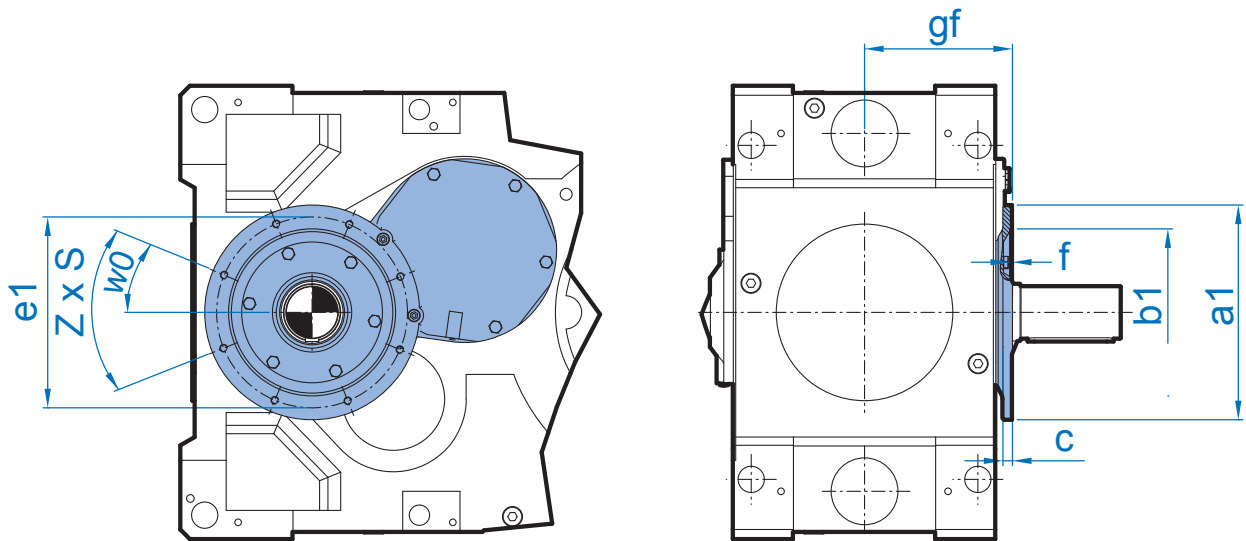


Dimensions

	Bearing type APRL	BP	DF	DH	DI	DZ	G0	G1	G9	G10	HP	LH	LK	Z	S	TZ	w1	w2
SK 5.07	29 432	28	470	100	60	390	207,5	212,5	408,5	413,5	106,4	170	430	8	M30x50	10	22,5	45
SK 6.07	29 436	32	470	120	60	390	207,5	212,5	408,5	413,5	127,4	170	430	8	M30x50	10	22,5	45
SK 7.07	29 436	32	560	120	60	460	210	215	450	455	127,4	215	510	12	M36x58	10	15	30
SK 8.07	29 440	32	560	130	60	460	210	215	450	455	137,4	215	510	12	M36x58	10	15	30
	29 444	36	560	150	60	460	210	215	450	455	158,4	215	510	12	M36x58	10	15	30
SK 9.07	29 440	32	560	130	60	460	253	258	482,5	487,5	137,4	215	510	12	M36x58	10	15	30
SK 10.07	29 444	36	560	150	60	460	253	258	482,5	487,5	158,4	215	570	12	M36x58	10	15	30
	29 452	45	630	180	60	510	253	258	505	510	190,4	215	570	12	M36x58	10	15	30
SK 11.07	29 452	45	630	180	60	510	268	273	510	515	190,4	215	570	12	M36x58	10	15	30
	29 456	45	680	200	60	550	268	273	528	533	210,4	300	615	12	M36x58	10	15	30

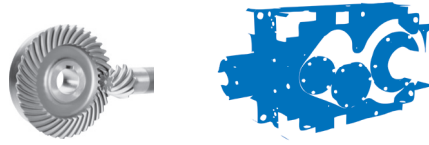


## F1 - Input Flange

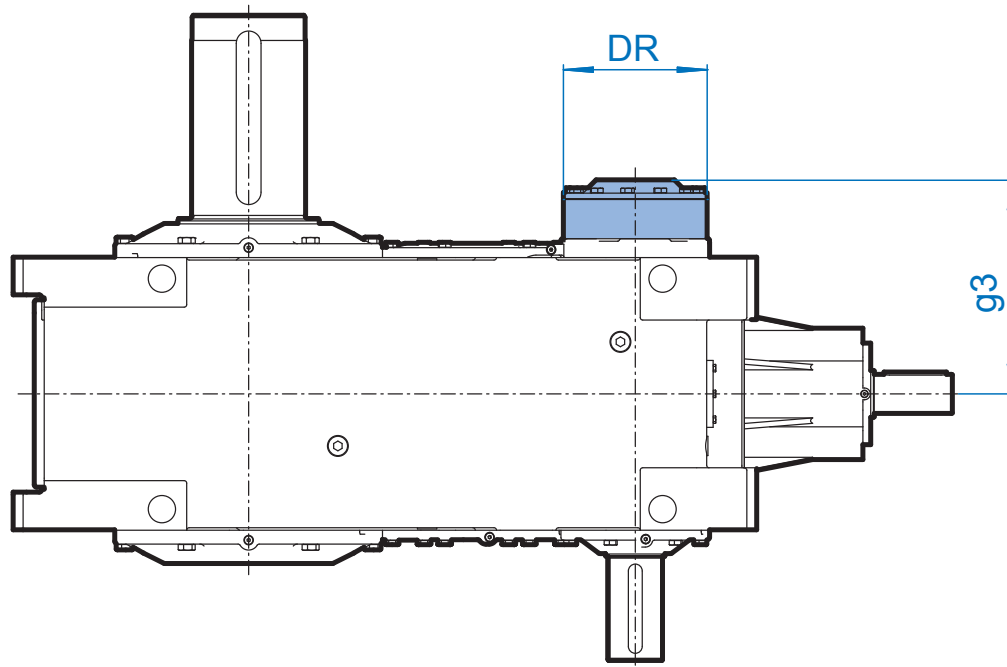


	gf	ø a1	ø b1	ø e1	c	f	w0°	z x s
<b>SK 5.07</b>	200,5	300	230	265	20	6	22,5	8 x M12
<b>SK 6.07</b>	200,5	300	230	265	20	6	22,5	8 x M12
<b>SK 7.07</b>	203,5	350	250	300	20	6	22,5	8 x M16
<b>SK 8.07</b>	203,5	350	250	300	20	6	22,5	8 x M16
<b>SK 9.07</b>	236	350	250	300	20	6	22,5	8 x M16
<b>SK 10.07</b>	236	350	250	300	20	6	22,5	8 x M16
<b>SK 11.07</b>	255	450	350	400	20	6,5	22,5 / 27,5	8 x M16
<b>SK 12.07</b>	290	550	450	500	25	6,5	21,5	8 x M16
<b>SK 13.07</b>	315	550	450	500	25	6,5	23	8 x M16
<b>SK 14.07</b>	345	550	450	500	25	6,5	23	8 x M16
<b>SK 15.07</b>	370	550	450	500	25	6,5	24	8 x M16

# R - Backstop

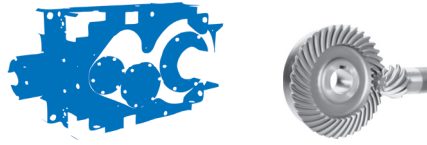


## R - Backstop

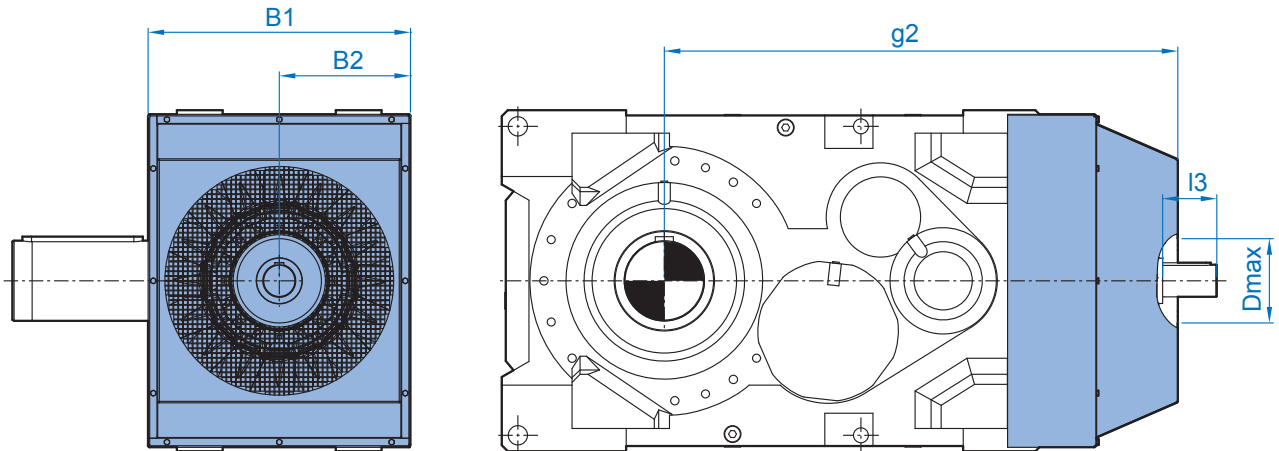


	$i_N$ - Ratio	DR	g3
SK 5407	18,0 - 100	175	283
SK 5507	112,0 - 400	150	265,5
SK 6407	20,0 - 112	175	283
SK 6507	125,0 - 450	150	265,5
SK 7407	18,0 - 100	190	297
SK 7507	112,0 - 400	175	288
SK 8407	20,0 - 112	190	297
SK 8507	125,0 - 450	175	288
SK 9407	18,0 - 100	210	329,5
SK 9507	112,0 - 400	190	326,5
SK 10407	20,0 - 112	210	329,5
SK 10507	125,0 - 450	190	326,5
SK 11407	11,2 - 80	245	360
SK 11507	112,0 - 400	190	340
	80,0 - 100	210	350
SK 12407	112,6 - 71	290	415
SK 12507	80,0 - 400	210	385
SK 13407	12,6 - 71	290	431
SK 13507	80,0 - 400	210	416,5
SK 14407	20,0 - 90	290	465
SK 14507	111,0 - 400	210	445
SK 15407	12,6 - 71	400	510
SK 15507	80,0 - 400	290	485





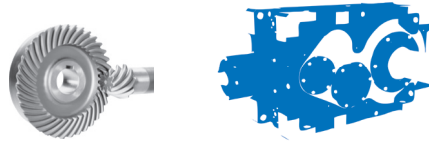
## FAN - Fan



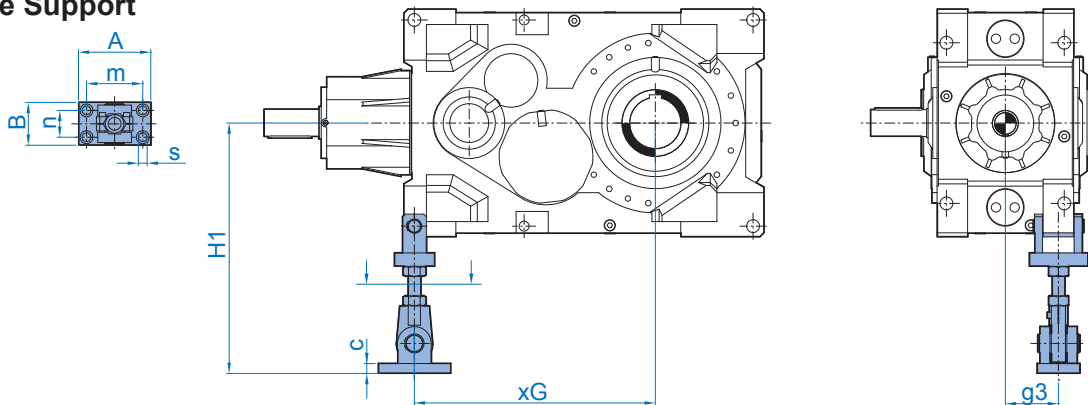
FAN	$i_N$	B1	B2	g2	l3	$\varnothing$ Dmax
SK 5407	18,0 - 100	427	213,5	714	54	110
SK 5507	112,0 - 400	427	213,5	664	39	110
SK 6407	20,0 - 112	427	213,5	739	54	110
SK 6507	125,0 - 450	427	213,5	689	39	110
SK 7407	18,0 - 50	438	219	848,5	74	170
	56,0 - 100				44	
SK 7507	112,0 - 400	438	219	796,5	24	170
SK 8407	20,0 - 56	438	219	873,5	74	170
	63,0 - 112				44	
SK 8507	125,0 - 450	438	219	821,5	44	170
SK 9407	18,0 - 50	503	251,5	968,5	74	170
	56,0 - 100				64	
SK 9507	112,0 - 400	503	251,5	938,5	44	170
SK 10407	20,0 - 56	503	251,5	998,5	74	170
	63,0 - 112				64	
SK 10507	125,0 - 450	503	251,5	978,5	44	170
SK 11407	12,6 - 45	574	287	1125	100	210
	50,0 - 71				70	
SK 11507	80,0 - 400	574	287	1050	70	210
SK 12407	12,6 - 45	654	327	1280	135	220
	50,0 - 71				105	
SK 12507	80,0 - 400	654	327	1190	75	220
SK 13407	12,6 - 45	704	352	1425	135	240
	50,0 - 71				105	
SK 13507	80,0 - 400	704	352	1365	105	240
SK 14407	20,0 - 50	750	375	1485	135	240
	55,0 - 90				105	
SK 14507	100,0 - 400	750	375	1485	105	240
SK 15407	12,6 - 45	814	407	1665	160	250
	50,0 - 71				130	
SK 15507	80,0 - 400	814	407	1585	100	250

# D - Torque Support

## ED - Elastic Torque Support

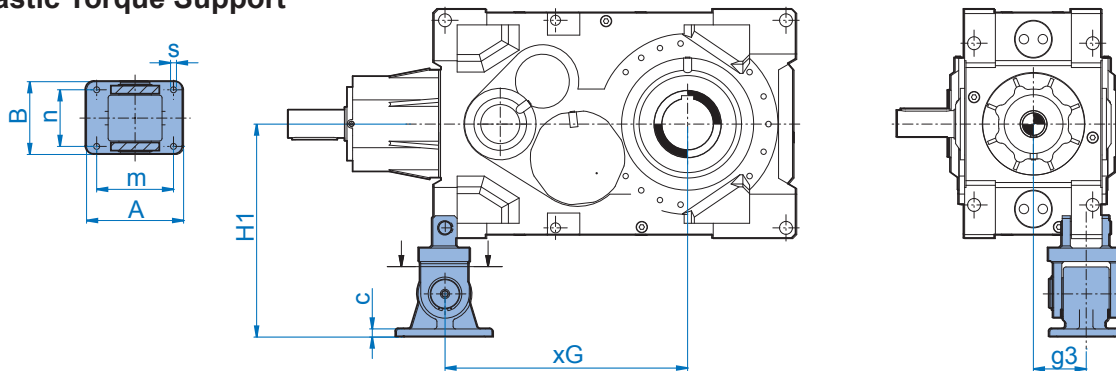


### D - Torque Support

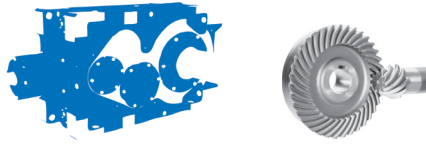


	H1max	H1min	xG	g3	c	A	B	m	n	s
SK 5.07	615	595	475	149	19	200	160	120	160	17,5
SK 6.07	615	595	500	149	19	200	160	120	160	17,5
SK 7.07	645	605	550	150,5	19	200	160	160	120	17,5
SK 8.07	685	635	575	150,5	19	200	160	160	120	17,5
SK 9.07	715	675	692,5	174	19	200	160	160	120	17,5
SK 10.07	765	710	722,5	174	19	200	160	160	120	17,5
SK 11.07	865	815	800	165	29	240	220	180	160	22
SK 12.07	935	885	900	195	29	290	250	220	180	26
SK 13.07	990	940	1005	210	29	290	250	220	180	26
SK 14.07	1080	1030	1060	240	39	330	300	250	220	33
SK 15.07	1120	1070	1200	247,5	39	330	300	250	220	33

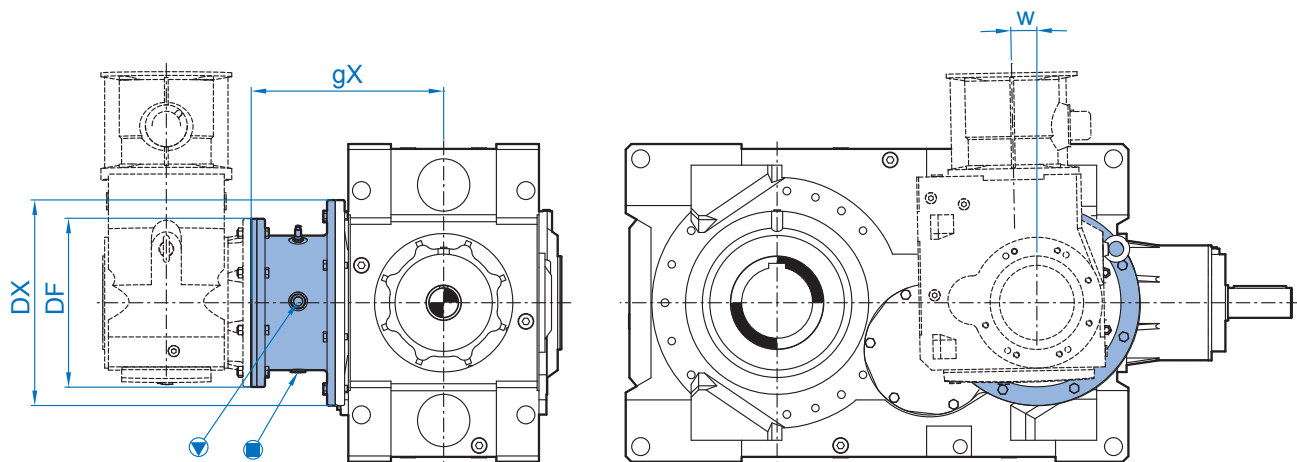
### ED - Elastic Torque Support



	H1	xG	g3	c	A	B	m	n	s
SK 5..07	460	475	149	21	200	160	160	120	17
SK 6..07	460	500	149	21	200	160	160	120	17
SK 7.07	490	550	150,5	21	200	160	160	120	17
SK 8.07	520	575	150,5	21	200	160	160	120	17
SK 9.07	655	692,5	174	25	260	200	190	140	22
SK 10.07	705	722,5	174	25	260	200	190	140	22
SK 11.07	740	800	167,5	30	360	270	285	210	22
SK 12.07	790	900	196	30	360	270	285	210	22
SK 13.07	890	1005	210	40	400	320	310	230	33
SK 14.07	940	1060	240	40	400	320	310	230	33
SK 15.07	980	1200	245,5	40	400	320	310	230	33

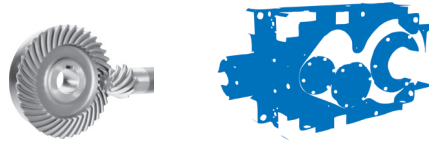


## WX - Auxillary Drive

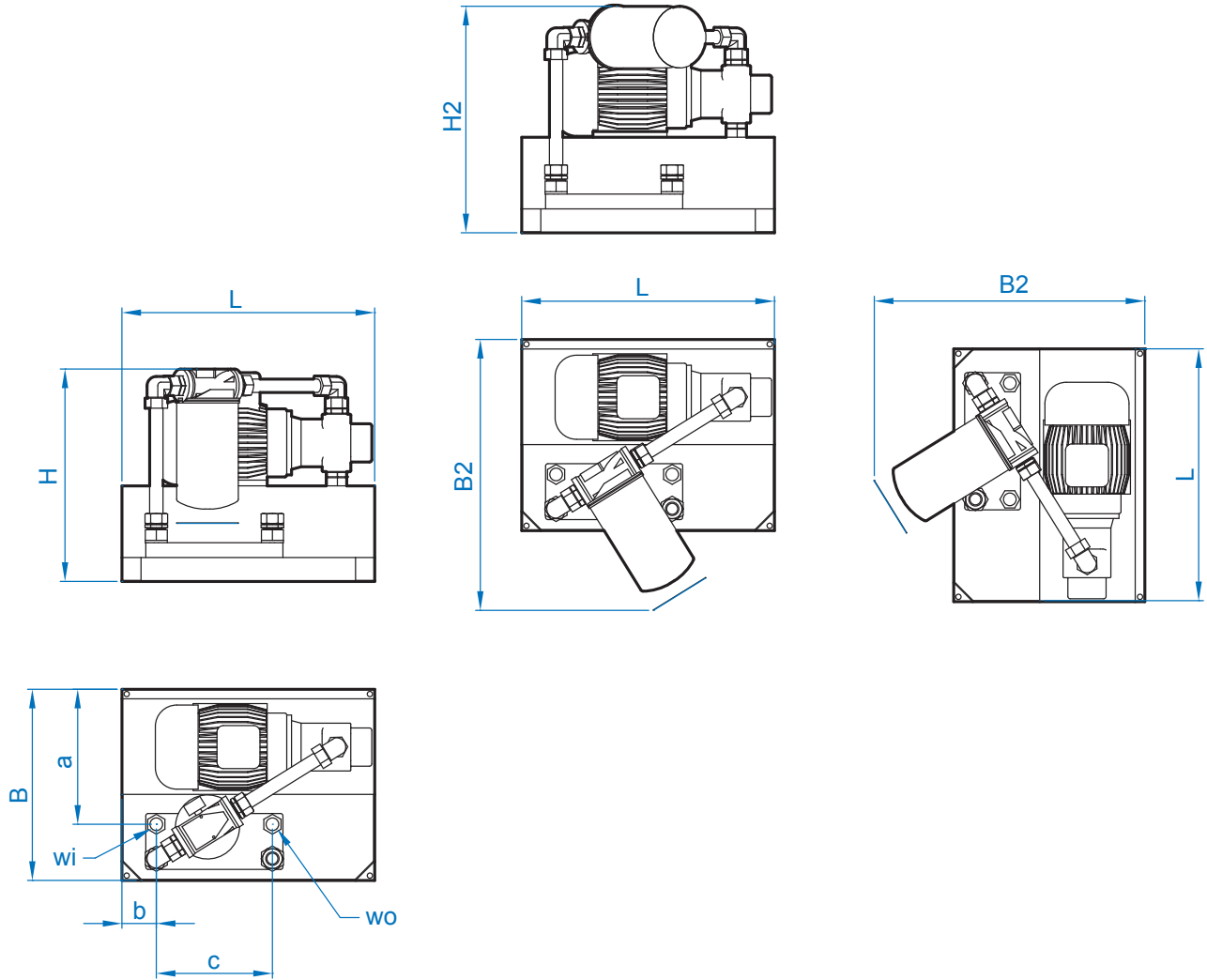


		$\varnothing$ DX	$\varnothing$ DF	gX	w
SK 5..07	SK 9022.1 VF	300	250	345,5	0°
	SK 9032.1 VF	300	250	345,5	0°
SK 6..07	SK 9022.1 VF	300	250	345,5	0°
	SK 9032.1 VF	300	250	345,5	0°
SK 7..07	SK 9022.1 VF	350	250	371,5	0°
	SK 9042.1 VF	350	350	371,5	0°
SK 8..07	SK 9022.1 VF	350	250	371,5	0°
	SK 9042.1 VF	350	350	371,5	0°
SK 9..07	SK 9032.1 VF	350	250	404	0°
	SK 9042.1 VF	350	350	404	0°
SK 10..07	SK 9032.1 VF	350	250	404	0°
	SK 9042.1 VF	350	350	404	0°
SK 11..07	SK 9052.1 VF	450	450	465	0°
	SK 9072.1 VF	450	450	445	0°
SK 12..07	SK 9072.1 VF	550	450	545	0°
	SK 9082.1 VF	550	450	515	0°
SK 13..07	SK 9072.1 VF	550	450	565	0°
	SK 9082.1 VF	550	450	535	0°
SK 14..07	SK 9072.1 VF	550	450	595	0°
	SK 9082.1 VF	550	450	565	0°
SK 15..07	SK 9082.1 VF	550	550	655	0°
	SK 9092.1 VF	550	660	620	0°

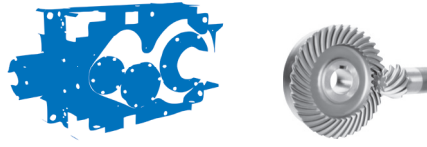
# CS1 - Water Cooler



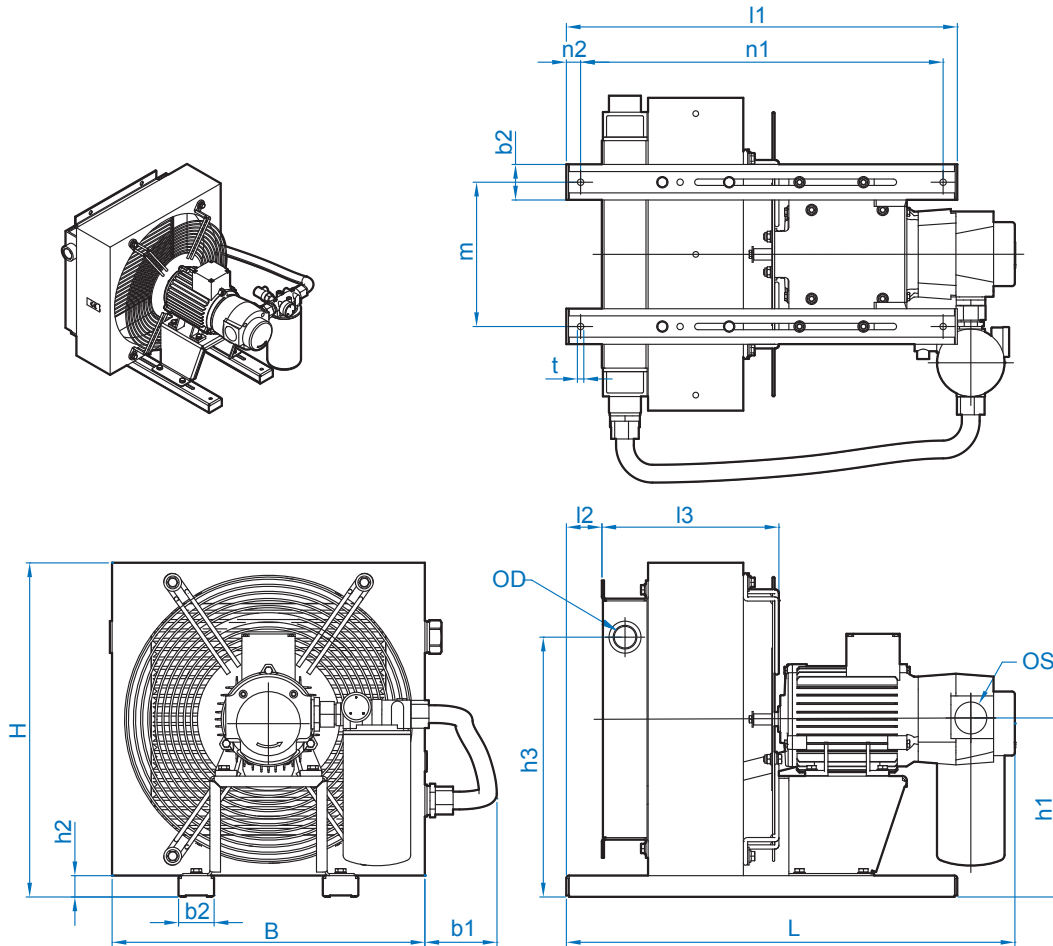
## CS1 - Water Cooler



	L	B	B2	H	H2	a	b	c	wi	wo
<b>A</b>	480	420	500	400	430	250	80	278	G 1/2	G 1/2
<b>B</b>	520	394	530	431	450	287	175.5	234	G 3/4	G 3/4
<b>C</b>	520	394	530	431	450	287	175.5	234	G 3/4	G 3/4
<b>D</b>	530	450	570	450	480	282	70	243	G 3/4	G 3/4
<b>E</b>	530	450	570	450	480	282	70	243	G 3/4	G 3/4
<b>F</b>	530	450	570	450	480	282	70	243	G 3/4	G 3/4
<b>G</b>	600	550	650	500	530	340	50	320	G 1	G 1
<b>H</b>	600	550	650	500	530	340	50	320	G 1	G 1

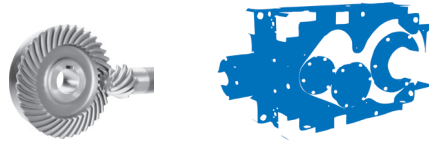


## CS2 - Air Cooler

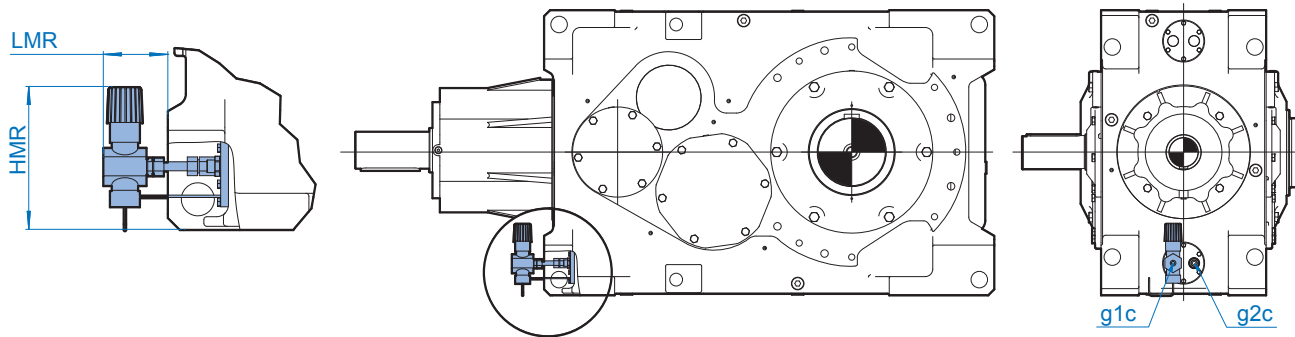


	L	l1	l2	l3	B	b1	b2	H	h1	h2	h3	n1	n2	m	t	os	od
<b>A</b>	755	560	43	173	330	137	30	355	185	15	330	525	15	160	Ø9	G 3/4	G 3/4
<b>B</b>	793	560	43	190	380	137	30	500	235	15	429	525	15	290	Ø9	G 3/4	G 3/4
<b>C</b>	793	560	43	190	380	137	30	500	235	15	429	525	15	290	Ø9	G 3/4	G 3/4
<b>D</b>	932	680	37	229	485	134	30	567	270	20	490	640	20	425	Ø8	G 1 1/2	G 1
<b>E</b>	932	680	37	229	485	134	30	567	270	20	490	640	20	425	Ø8	G 1 1/2	G 1
<b>F</b>	932	680	37	229	485	134	30	567	270	20	490	640	20	425	Ø8	G 1 1/2	G 1
<b>G</b>	1028	680	40	289	584	134	30	687	330	20	579	515	20	482	Ø9	G 1 1/2	G 1 1/4
<b>H</b>	1142	870	42	289	706	119	50	806	408	55	707	830	20	560	Ø12	G 1 1/2	G 1 1/4

# CC - Internal Water Cooler OH - Oil Heater

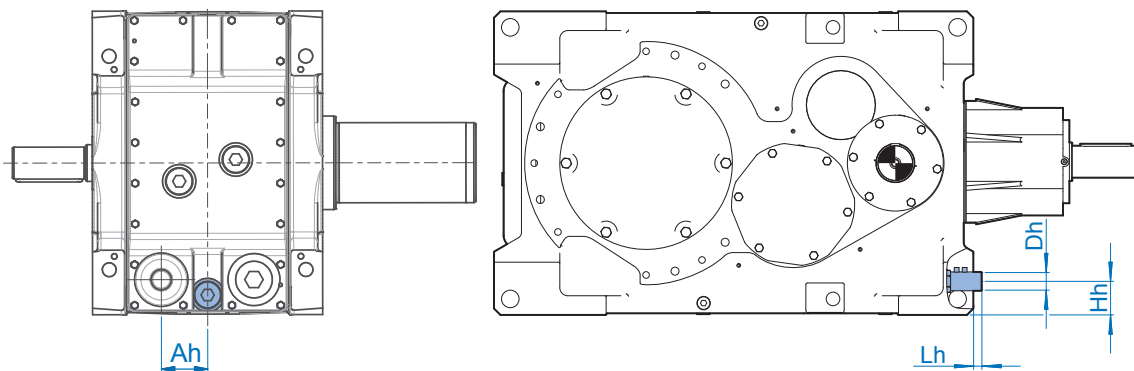


## CC - Internal Water Cooler (Cooling Coil)



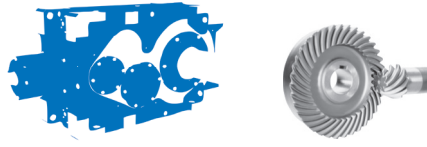
	g1c	g2c	HMR	LMR
SK 5.07	G 3/8"	G 3/8"	238	108
SK 6.07	G 3/8"	G 3/8"	238	108
SK 7.07	G 3/8"	G 3/8"	238	108
SK 8.07	G 3/8"	G 3/8"	238	108
SK 9.07	G 3/8"	G 3/8"	238	108
SK 10.07	G 3/8"	G 3/8"	238	108
SK 11.07	G 1/2"	G 1/2"	238	108
SK 12.07	G 1/2"	G 1/2"	238	108
SK 13.07	G 1/2"	G 1/2"	238	108
SK 14.07	G 1/2"	G 1/2"	238	108
SK 15.07	G 1/2"	G 1/2"	238	108

## OH - Oil Heater

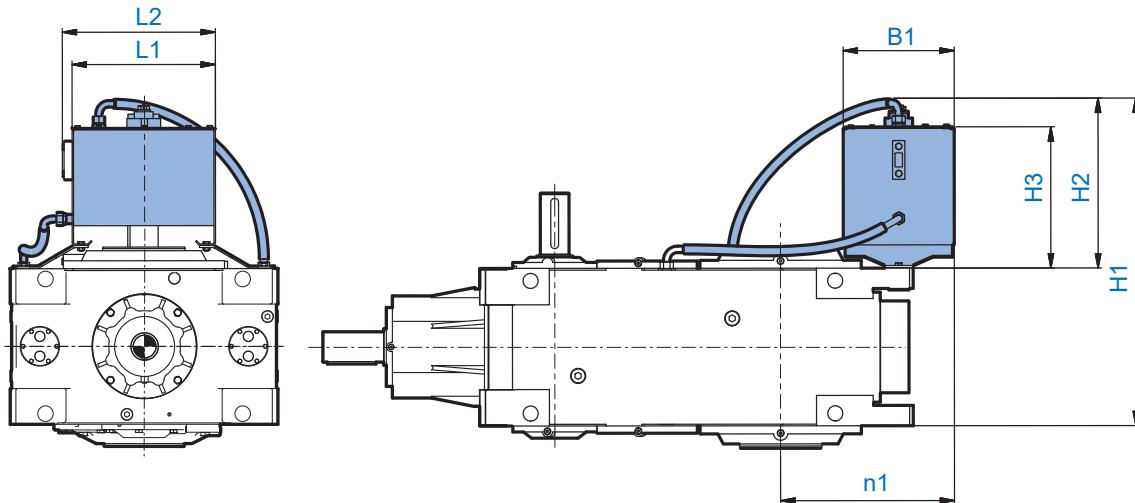


	Ah	ø Dh	Hh	Lh	340 W	380 W	470 W	590 W	760 W	870 W	1030 W	1410 W
SK 5.07	69,5	80	52,5	77,5	M1/M3 *							
SK 6.07	69,5	80	52,5	77,5	M1/M3 *							
SK 7.07	67,5	80	62,5	60		M1/M3 *						
SK 8.07	74	80	62,5	61,5		M1/M3 *						
SK 9.07	85	80	69,5	58			M1/M3 *					
SK 10.07	87,5	80	70	63,5			M1/M3 *					
SK 11.07	70	80	90	57				M1			M3	
SK 12.07	95	80	110	49				M1			M3	
SK 13.07	100	80	100	49					M1			M3
SK 14.07	100	80	95	39					M1			M3
SK 15.07	125	80	110	20						M1		M3

\* For larger heating capacities, please contact NORD DRIVESYSTEMS. Other mounting configurations can often be used depending on the oil level with an oil heater. Please contact NORD DRIVESYSTEMS.



**OT - Oil Tank**



M5 / M6 Mounting	L1	L2	H1	H2	H3	n1	B1
SK 5.07	275	302	771,5	426,5	397,5	440	200
SK 6.07	275	302	771,5	426,5	397,5	440	200
SK 7.07	400	427	824,5	474,5	394,5	425	310
SK 8.07	400	427	858	508	428	455	310
SK 9.07	400	427	923	508	428	457,5	310
SK 10.07	400	427	879	464	384	490	310
SK 11.07	400	427	914	474	394	485	310
SK 12.07	400	427	979,5	469,5	389,5	520	310
SK 13.07	400	427	1069	519	439	580	310
SK 14.07	400	427	1133	523	443	610	310
SK 15.07	00	427	1156	506	426	645	310

Dimensions







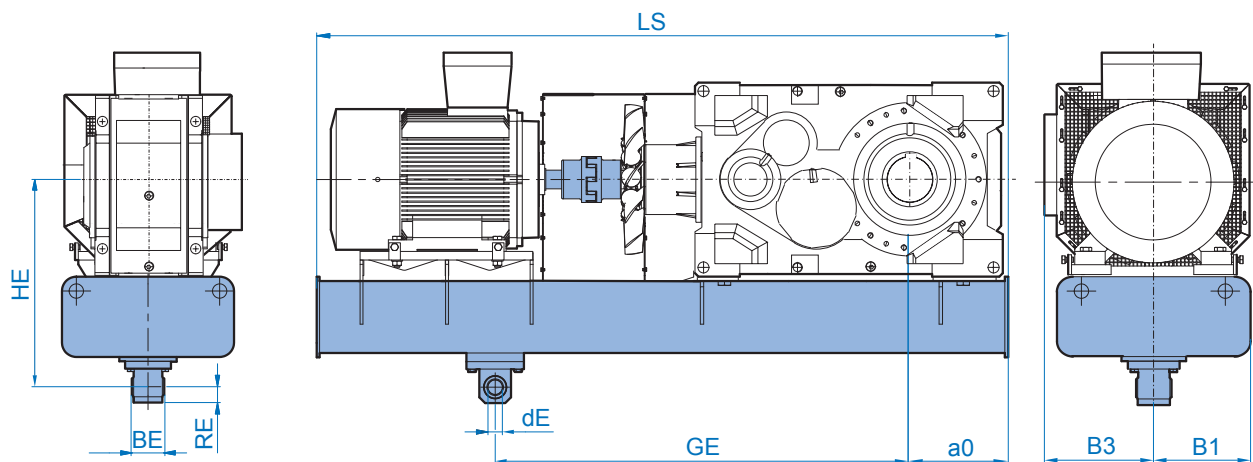
DRIVESYSTEMS

# Swingbase Dimensions

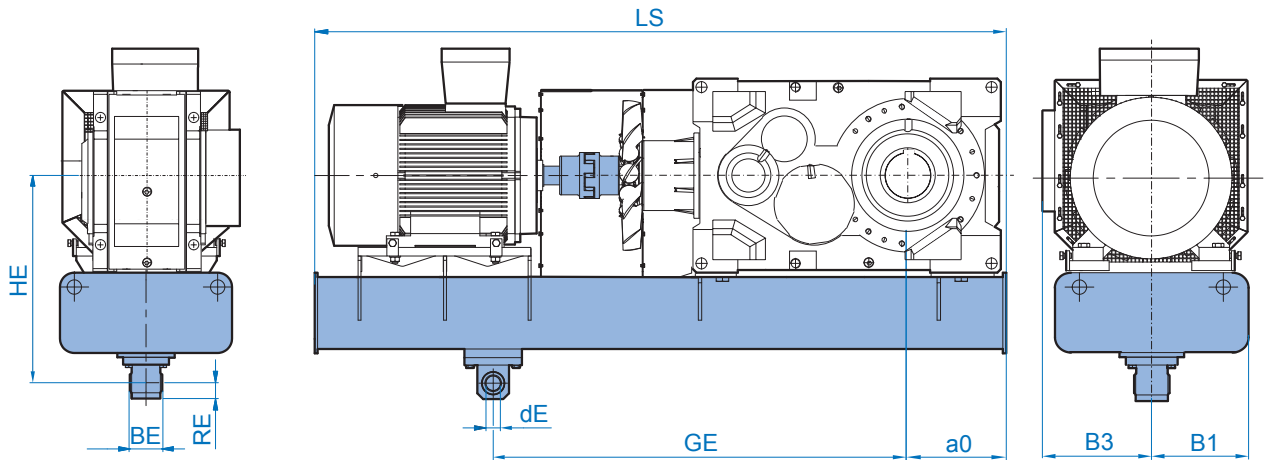
---

SK ..407 / ..507 MSK .....	264
SK ..407 / ..507 MSKB .....	266
SK ..407 / ..507 MST .....	268
SK ..407 / ..507 MSTB .....	270
SK ..407 / ..507 MFK .....	272
SK ..407 / ..507 MFKB .....	274
SK ..407 / ..507 MFT .....	276
SK ..407 / ..507 MFTB .....	278

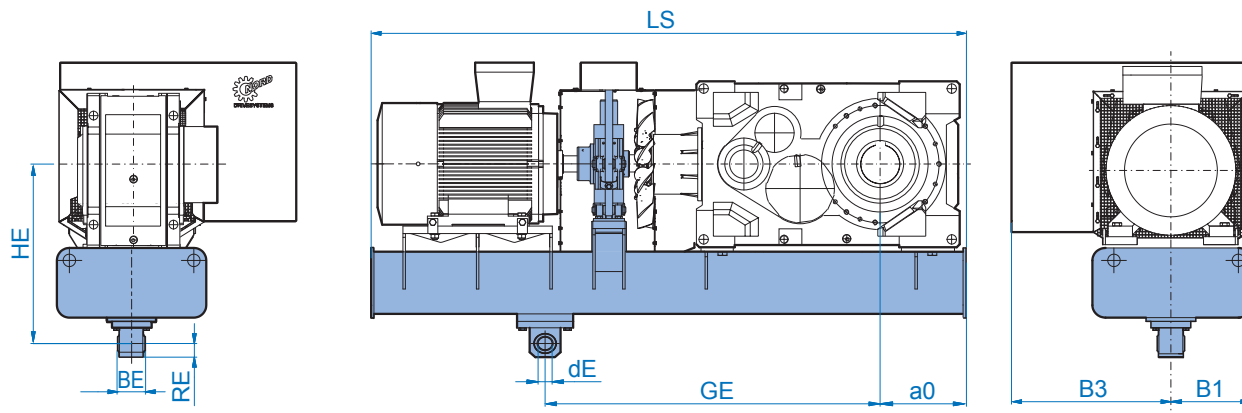
**Note:** The final dimensions of the vibrations and foundation frames are determined by order.



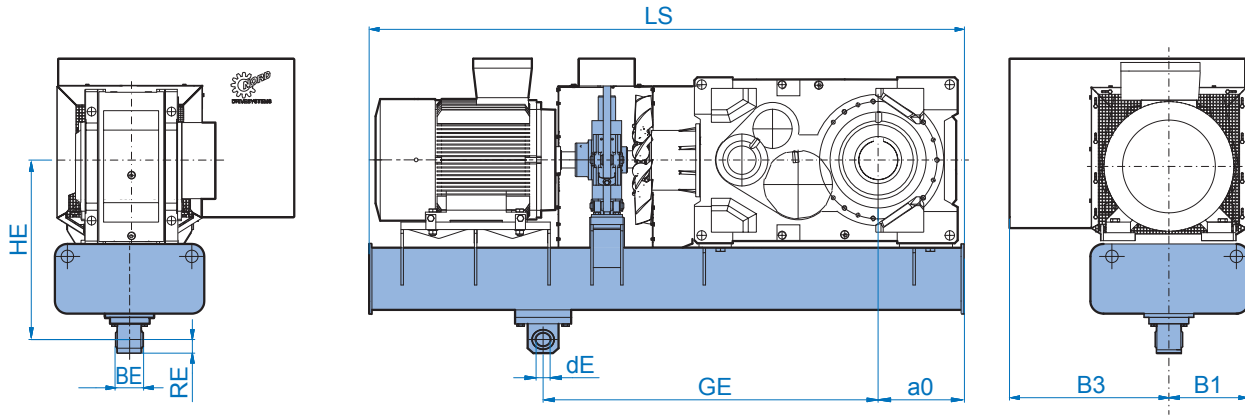
MSK	Motor size	LS	B1	B3	a0	HE	GE	BE	RE	dE
SK 5407 SK 5507	132S/4 - 132M/4	1600	400	290	275	668	900	110	50	50
	160M/4 - 225M/4	1800	400	290	275	668	900	110	50	50
	250M/4 - 315M/4	2100	400	290	275	668	900	110	50	50
	315MA/4 - 315L/4	2350	400	290	275	668	900	110	50	50
SK 6407 SK 6507	132S/4 - 132S/4	1600	400	290	305	688	900	110	50	50
	132M/4 - 200L/4	1850	400	290	305	688	900	110	50	50
	225S/4 - 280M/4	2100	400	290	305	688	900	110	50	50
	315S/4 - 315L/4	2350	400	290	305	688	900	110	50	50
SK 7407 SK 7507	132S/4 - 180L/4	1850	400	315	355	710	1200	110	55	50
	200L/4 - 280M/4	2100	400	315	355	710	1200	110	55	50
	315S/4 - 315S/4	2350	400	315	355	710	1200	110	55	50
SK 8407 SK 8507	132S/4 - 160L/4	1850	400	315	385	735	1200	110	55	50
	180M/4 - 250M/4	2100	400	315	385	735	1200	110	55	50
	280S/4 - 315S/4	2350	400	315	385	735	1200	110	55	50
SK 9407 SK 9507	132S/4 - 180L/4	2100	400	400	390	765	1600	110	55	50
	200L/4 - 280M/4	2350	400	400	390	765	1600	110	55	50
	315S/4 - 315S/4	2600	400	400	390	765	1600	110	55	50
SK 10407 SK 10507	132S/4 - 250M/4	2350	400	400	425	800	1800	110	55	50
	280S/4 - 315S/4	2600	400	400	425	800	1800	110	55	50
SK 11407	225S/4 - 280M/4	2600	400	440	430	900	1800	120	90	100
	315S/4 - 315L/4	2850	400	440	430	900	1800	120	90	100
	315LA/4 - 355M/4	3100	400	440	430	900	1800	120	90	100
SK 11507	160M/4 - 225S/4	2350	400	440	430	900	1800	120	90	100
	225M/4 - 280M/4	2600	400	440	430	900	1800	120	90	100



MSK	Motor size	LS	B1	B3	a0	HE	GE	BE	RE	dE
SK 12407	225S/4 - 280M/4	2850	400	480	465	1050	2000	120	90	100
	315S/4 - 315L/4	3100	400	480	465	1050	2000	120	90	100
	315LA/4 - 355M/4	3350	400	480	465	1050	2000	120	90	100
SK 12507	160M/4 - 250M/4	2600	400	480	465	1050	2000	120	90	100
	280S/4 - 280M/4	2850	400	480	465	1050	2000	120	90	100
SK 13407	250M/4 - 280M/4	3100	400	555	535	1128	1800	230	100	124
	315S/4 - 315LB/4	3350	400	555	535	1128	1800	230	100	124
	355S/4 - 355M/4	3600	400	555	535	1128	1800	230	100	124
SK 13507	180M/4 - 250M/4	2850	400	555	535	1128	1800	230	100	124
	280S/4 - 280M/4	3100	400	555	535	1128	1800	230	100	124
SK 14407	315S/4 - 315L/4	3600	400	585	565	1178	2000	230	100	124
	315LA/4 - 315LB/4	3850	400	585	565	1178	2000	230	100	124
	355S/4 - 355M/4	3850	400	585	565	1178	2000	230	100	124
SK 14507	180M/4 - 250M/4	3100	400	585	565	1178	2000	230	100	124
	280S/4 - 280M/4	3350	400	585	565	1178	2000	230	100	124
SK 15407	280S/4 - 315L/4	3600	400	605	605	1300	2000	230	100	124
	315LA/4 - 315LB/4	3850	400	605	605	1300	2000	230	100	124
	355S/4 - 355M/4	4100	400	605	605	1300	2000	230	100	124
SK 15507	225S/4 - 225M/4	3100	400	605	605	1300	2000	230	100	124
	250M/4 - 315S/4	3350	400	605	605	1300	2000	230	100	124
	315M/4 - 315LB/4	3600	400	605	605	1300	2000	230	100	124

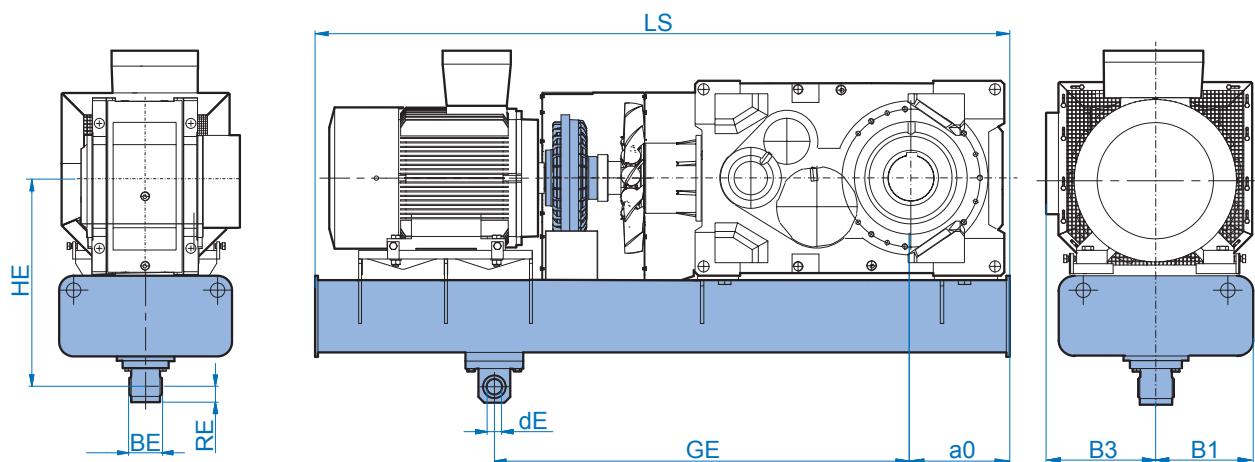


MSKB	Motor size	LS	B1	B3	a0	HE	GE	BE	RE	dE
SK 5407 SK 5507	132S/4 - 132M/4	1600	400	290	275	668	900	110	50	50
	160M/4 - 225M/4	1800	400	290	275	668	900	110	50	50
	250M/4 - 315M/4	2100	400	290	275	668	900	110	50	50
	315MA/4 - 315L/4	2350	400	290	275	668	900	110	50	50
SK 6407 SK 6507	132S/4 - 132S/4	1600	400	290	305	688	900	110	50	50
	132M/4 - 200L/4	1850	400	290	305	688	900	110	50	50
	225S/4 - 280M/4	2100	400	290	305	688	900	110	50	50
	315S/4 - 315L/4	2350	400	290	305	688	900	110	50	50
SK 7407 SK 7507	132S/4 - 180L/4	1850	400	315	355	710	1200	110	55	50
	200L/4 - 280M/4	2100	400	315	355	710	1200	110	55	50
	315S/4 - 315S/4	2350	400	315	355	710	1200	110	55	50
SK 8407 SK 8507	132S/4 - 160L/4	1850	400	315	385	735	1200	110	55	50
	180M/4 - 250M/4	2100	400	315	385	735	1200	110	55	50
	280S/4 - 315S/4	2350	400	315	385	735	1200	110	55	50
SK 9407 SK 9507	132S/4 - 180L/4	2100	400	400	390	765	1600	110	55	50
	200L/4 - 280M/4	2350	400	400	390	765	1600	110	55	50
	315S/4 - 315S/4	2600	400	400	390	765	1600	110	55	50
SK 10407 SK 10507	132S/4 - 250M/4	2350	400	400	425	800	1800	110	55	50
	280S/4 - 315S/4	2600	400	400	425	800	1800	110	55	50
SK 11407	225S/4 - 280M/4	2600	400	440	430	900	1800	120	90	100
	315S/4 - 315L/4	2850	400	440	430	900	1800	120	90	100
	315LA/4 - 355M/4	3100	400	440	430	900	1800	120	90	100
SK 11507	160M/4 - 225S/4	2350	400	440	430	900	1800	120	90	100
	225M/4 - 280M/4	2600	400	440	430	900	1800	120	90	100

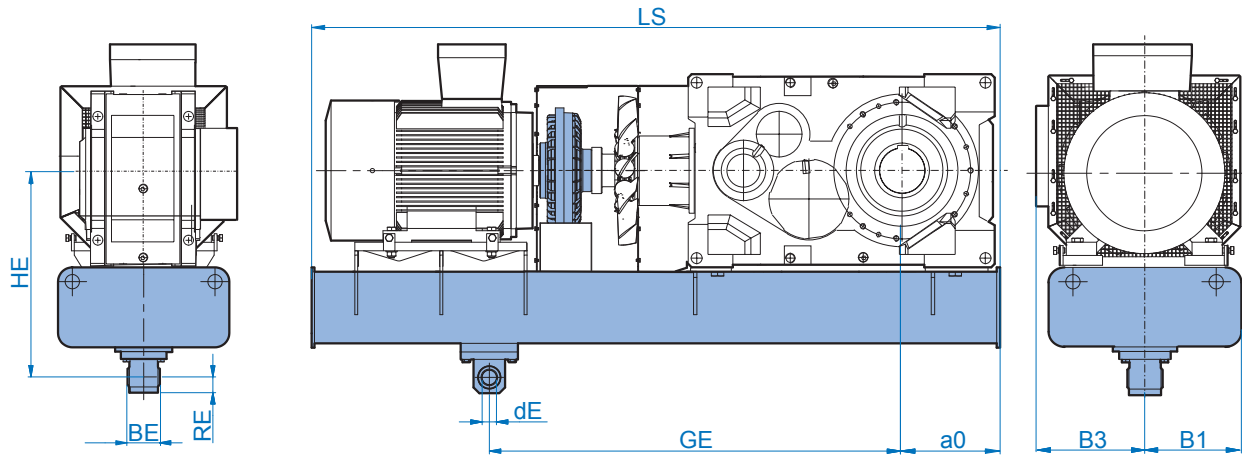


MSKB	Motor size	LS	B1	B3	a0	HE	GE	BE	RE	dE
SK 12407	225S/4 - 280M/4	2850	400	480	465	1050	2000	120	90	100
	315S/4 - 315L/4	3100	400	480	465	1050	2000	120	90	100
	315LA/4 - 355M/4	3350	400	480	465	1050	2000	120	90	100
SK 12507	160M/4 - 250M/4	2600	400	480	465	1050	2000	120	90	100
	280S/4 - 280M/4	2850	400	480	465	1050	2000	120	90	100
SK 13407	250M/4 - 280M/4	3100	400	555	535	1128	1800	230	100	124
	315S/4 - 315LB/4	3350	400	555	535	1128	1800	230	100	124
	355S/4 - 355M/4	3600	400	555	535	1128	1800	230	100	124
SK 13507	180M/4 - 250M/4	2850	400	555	535	1128	1800	230	100	124
	280S/4 - 280M/4	3100	400	555	535	1128	1800	230	100	124
SK 14407	315S/4 - 315L/4	3600	400	585	565	1178	2000	230	100	124
	315LA/4 - 315LB/4	3850	400	585	565	1178	2000	230	100	124
	355S/4 - 355M/4	3850	400	585	565	1178	2000	230	100	124
SK 14507	180M/4 - 250M/4	3100	400	585	565	1178	2000	230	100	124
	280S/4 - 280M/4	3350	400	585	565	1178	2000	230	100	124
SK 15407	280S/4 - 315L/4	3600	400	605	605	1300	2000	230	100	124
	315LA/4 - 315LB/4	3850	400	605	605	1300	2000	230	100	124
	355S/4 - 355M/4	4100	400	605	605	1300	2000	230	100	124
SK 15507	225S/4 - 225M/4	3100	400	605	605	1300	2000	230	100	124
	250M/4 - 315S/4	3350	400	605	605	1300	2000	230	100	124
	315M/4 - 315LB/4	3600	400	605	605	1300	2000	230	100	124

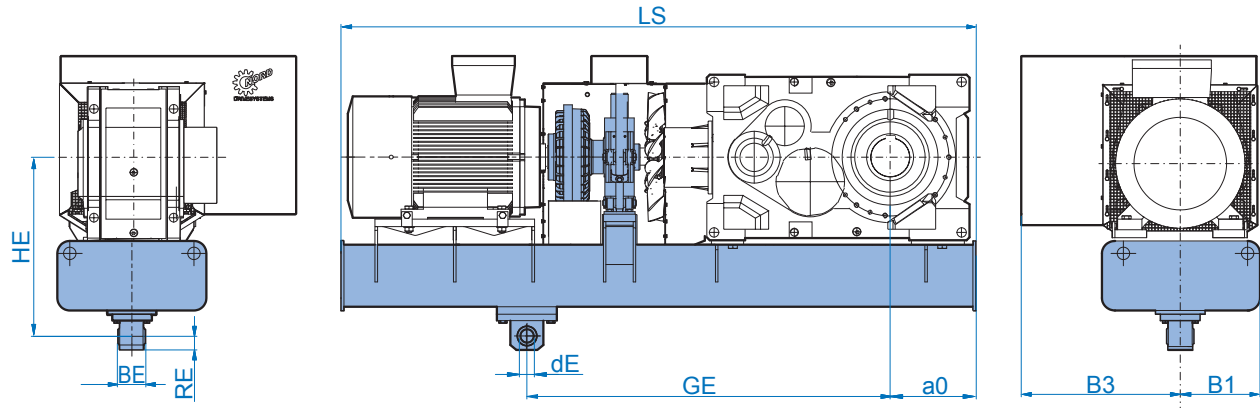
Dimensions



MST	Motor size	LS	B1	B3	a0	HE	GE	BE	RE	dE
SK 5407 SK 5507	132S/4 - 132M/4	1600	400	290	275	668	900	110	50	50
	160M/4 - 225M/4	1800	400	290	275	668	900	110	50	50
	250M/4 - 315M/4	2100	400	290	275	668	900	110	50	50
	315MA/4 - 315L/4	2350	400	290	275	668	900	110	50	50
SK 6407 SK 6507	132S/4 - 132S/4	1600	400	290	305	688	900	110	50	50
	132M/4 - 200L/4	1850	400	290	305	688	900	110	50	50
	225S/4 - 280M/4	2100	400	290	305	688	900	110	50	50
	315S/4 - 315L/4	2350	400	290	305	688	900	110	50	50
SK 7407 SK 7507	132S/4 - 180L/4	1850	400	315	355	710	1200	110	55	50
	200L/4 - 280M/4	2100	400	315	355	710	1200	110	55	50
	315S/4 - 315S/4	2350	400	315	355	710	1200	110	55	50
SK 8407 SK 8507	132S/4 - 160L/4	1850	400	315	385	735	1200	110	55	50
	180M/4 - 250M/4	2100	400	315	385	735	1200	110	55	50
	280S/4 - 315S/4	2350	400	315	385	735	1200	110	55	50
SK 9407 SK 9507	132S/4 - 180L/4	2100	400	400	390	765	1600	110	55	50
	200L/4 - 280M/4	2350	400	400	390	765	1600	110	55	50
	315S/4 - 315S/4	2600	400	400	390	765	1600	110	55	50
SK 10407 SK 10507	132S/4 - 250M/4	2350	400	400	425	800	1800	110	55	50
	280S/4 - 315S/4	2600	400	400	425	800	1800	110	55	50
SK 11407	225S/4 - 280M/4	2600	400	440	430	900	1800	120	90	100
	315S/4 - 315L/4	2850	400	440	430	900	1800	120	90	100
	315LA/4 - 355M/4	3100	400	440	430	900	1800	120	90	100
SK 11507	160M/4 - 225S/4	2350	400	440	430	900	1800	120	90	100
	225M/4 - 280M/4	2600	400	440	430	900	1800	120	90	100

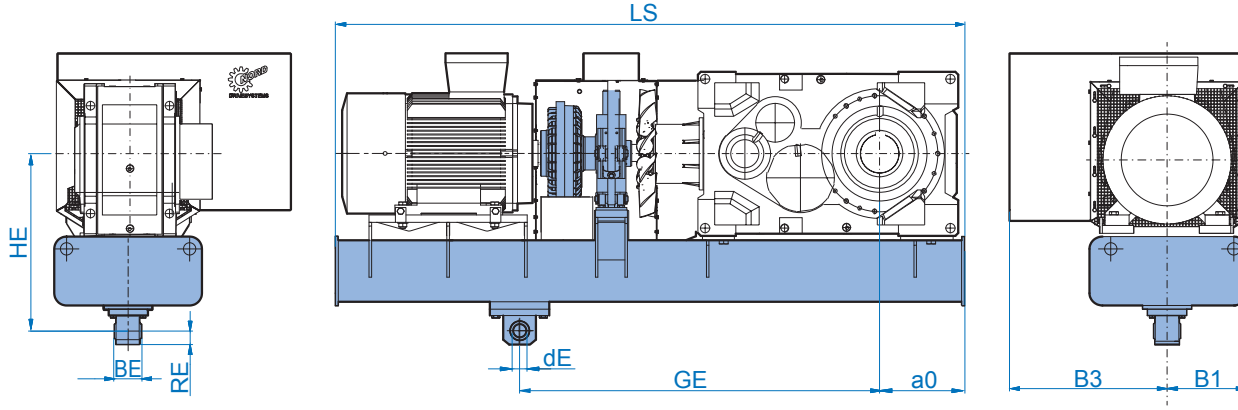


MST	Motor size	LS	B1	B3	a0	HE	GE	BE	RE	dE
SK 12407	225S/4 - 280M/4	2850	400	480	465	1050	2000	120	90	100
	315S/4 - 315L/4	3100	400	480	465	1050	2000	120	90	100
	315LA/4 - 355M/4	3350	400	480	465	1050	2000	120	90	100
SK 12507	160M/4 - 250M/4	2600	400	480	465	1050	2000	120	90	100
	280S/4 - 280M/4	2850	400	480	465	1050	2000	120	90	100
SK 13407	250M/4 - 280M/4	3100	400	555	535	1128	1800	230	100	124
	315S/4 - 315LB/4	3350	400	555	535	1128	1800	230	100	124
	355S/4 - 355M/4	3600	400	555	535	1128	1800	230	100	124
SK 13507	180M/4 - 250M/4	2850	400	555	535	1128	1800	230	100	124
	280S/4 - 280M/4	3100	400	555	535	1128	1800	230	100	124
SK 14407	315S/4 - 315L/4	3600	400	585	565	1178	2000	230	100	124
	315LA/4 - 315LB/4	3850	400	585	565	1178	2000	230	100	124
	355S/4 - 355M/4	3850	400	585	565	1178	2000	230	100	124
SK 14507	180M/4 - 250M/4	3100	400	585	565	1178	2000	230	100	124
	280S/4 - 280M/4	3350	400	585	565	1178	2000	230	100	124
SK 15407	280S/4 - 315L/4	3600	400	605	605	1300	2000	230	100	124
	315LA/4 - 315LB/4	3850	400	605	605	1300	2000	230	100	124
	355S/4 - 355M/4	4100	400	605	605	1300	2000	230	100	124
SK 15507	225S/4 - 225M/4	3100	400	605	605	1300	2000	230	100	124
	250M/4 - 315S/4	3350	400	605	605	1300	2000	230	100	124
	315M/4 - 315LB/4	3600	400	605	605	1300	2000	230	100	124

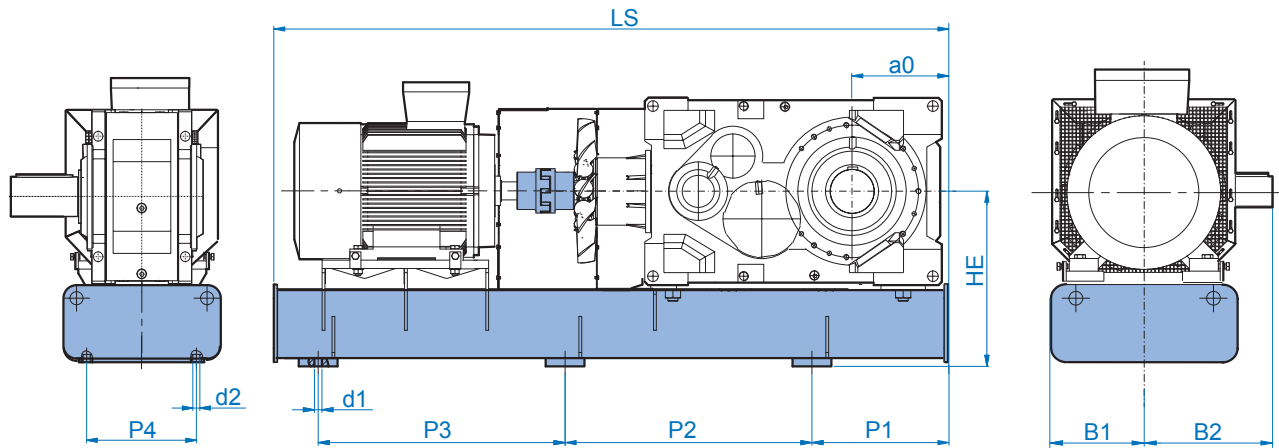


MSTB	Motor size	LS	B1	B3	a0	HE	GE	BE	RE	dE
SK 5407 SK 5507	132S/4 - 132M/4	1600	400	290	275	668	900	110	50	50
	160M/4 - 225M/4	1800	400	290	275	668	900	110	50	50
	250M/4 - 315M/4	2100	400	290	275	668	900	110	50	50
	315MA/4 - 315L/4	2350	400	290	275	668	900	110	50	50
SK 6407 SK 6507	132S/4 - 132S/4	1600	400	290	305	688	900	110	50	50
	132M/4 - 200L/4	1850	400	290	305	688	900	110	50	50
	225S/4 - 280M/4	2100	400	290	305	688	900	110	50	50
	315S/4 - 315L/4	2350	400	290	305	688	900	110	50	50
SK 7407 SK 7507	132S/4 - 180L/4	1850	400	315	355	710	1200	110	55	50
	200L/4 - 280M/4	2100	400	315	355	710	1200	110	55	50
	315S/4 - 315S/4	2350	400	315	355	710	1200	110	55	50
SK 8407 SK 8507	132S/4 - 160L/4	1850	400	315	385	735	1200	110	55	50
	180M/4 - 250M/4	2100	400	315	385	735	1200	110	55	50
	280S/4 - 315S/4	2350	400	315	385	735	1200	110	55	50
SK 9407 SK 9507	132S/4 - 180L/4	2100	400	400	390	765	1600	110	55	50
	200L/4 - 280M/4	2350	400	400	390	765	1600	110	55	50
	315S/4 - 315S/4	2600	400	400	390	765	1600	110	55	50
SK 10407 SK 10507	132S/4 - 250M/4	2350	400	400	425	800	1800	110	55	50
	280S/4 - 315S/4	2600	400	400	425	800	1800	110	55	50
SK 11407	225S/4 - 280M/4	2600	400	440	430	900	1800	120	90	100
	315S/4 - 315L/4	2850	400	440	430	900	1800	120	90	100
	315LA/4 - 355M/4	3100	400	440	430	900	1800	120	90	100
SK 11507	160M/4 - 225S/4	2350	400	440	430	900	1800	120	90	100
	225M/4 - 280M/4	2600	400	440	430	900	1800	120	90	100

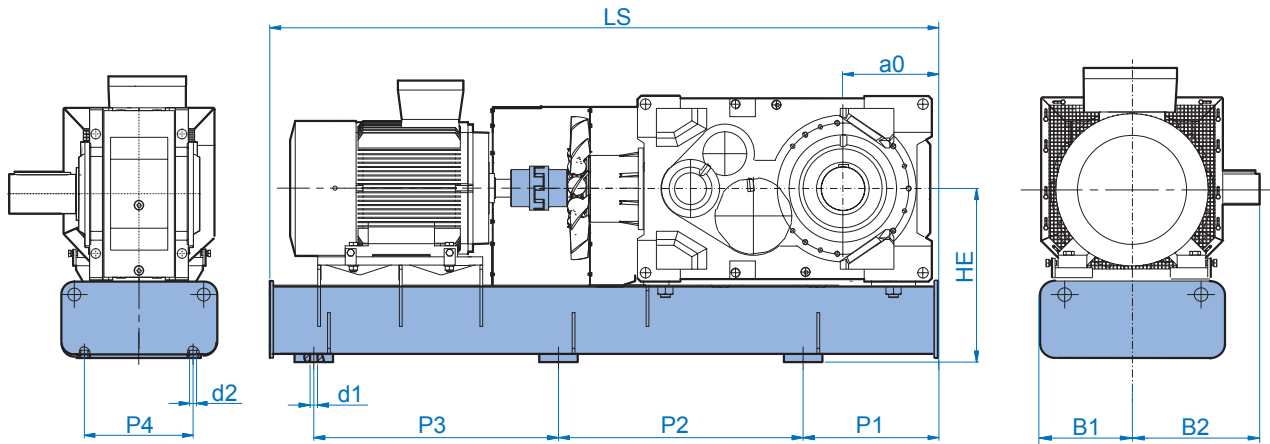




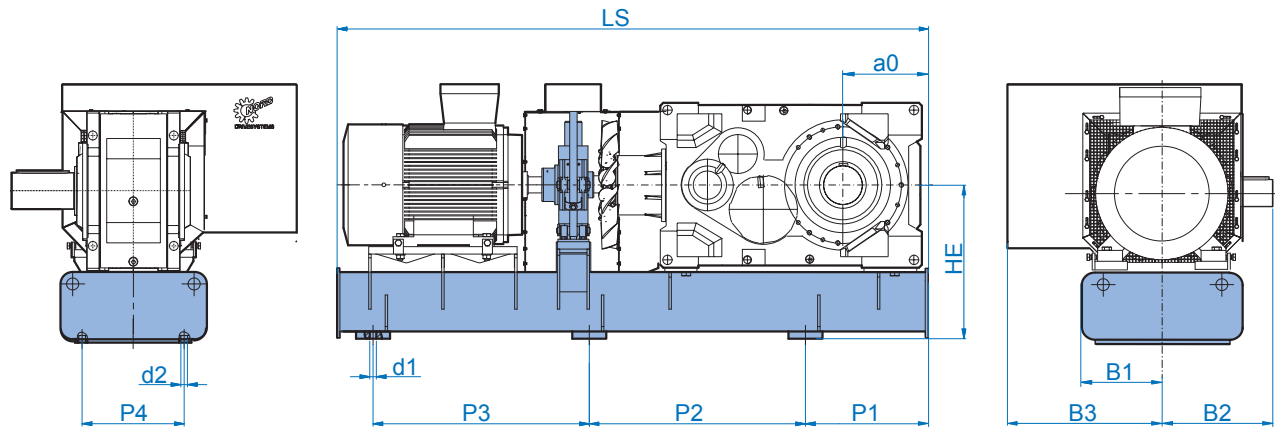
MSTB	Motor size	LS	B1	B3	a0	HE	GE	BE	RE	dE
SK 12407	225S/4 - 280M/4	2850	400	480	465	1050	2000	120	90	100
	315S/4 - 315L/4	3100	400	480	465	1050	2000	120	90	100
	315LA/4 - 355M/4	3350	400	480	465	1050	2000	120	90	100
SK 12507	160M/4 - 250M/4	2600	400	480	465	1050	2000	120	90	100
	280S/4 - 280M/4	2850	400	480	465	1050	2000	120	90	100
SK 13407	250M/4 - 280M/4	3100	400	555	535	1128	1800	230	100	124
	315S/4 - 315LB/4	3350	400	555	535	1128	1800	230	100	124
	355S/4 - 355M/4	3600	400	555	535	1128	1800	230	100	124
SK 13507	180M/4 - 250M/4	2850	400	555	535	1128	1800	230	100	124
	280S/4 - 280M/4	3100	400	555	535	1128	1800	230	100	124
SK 14407	315S/4 - 315L/4	3600	400	585	565	1178	2000	230	100	124
	315LA/4 - 315LB/4	3850	400	585	565	1178	2000	230	100	124
	355S/4 - 355M/4	3850	400	585	565	1178	2000	230	100	124
SK 14507	180M/4 - 250M/4	3100	400	585	565	1178	2000	230	100	124
	280S/4 - 280M/4	3350	400	585	565	1178	2000	230	100	124
SK 15407	280S/4 - 315L/4	3600	400	605	605	1300	2000	230	100	124
	315LA/4 - 315LB/4	3850	400	605	605	1300	2000	230	100	124
	355S/4 - 355M/4	4100	400	605	605	1300	2000	230	100	124
SK 15507	225S/4 - 225M/4	3100	400	605	605	1300	2000	230	100	124
	250M/4 - 315S/4	3350	400	605	605	1300	2000	230	100	124
	315M/4 - 315LB/4	3600	400	605	605	1300	2000	230	100	124



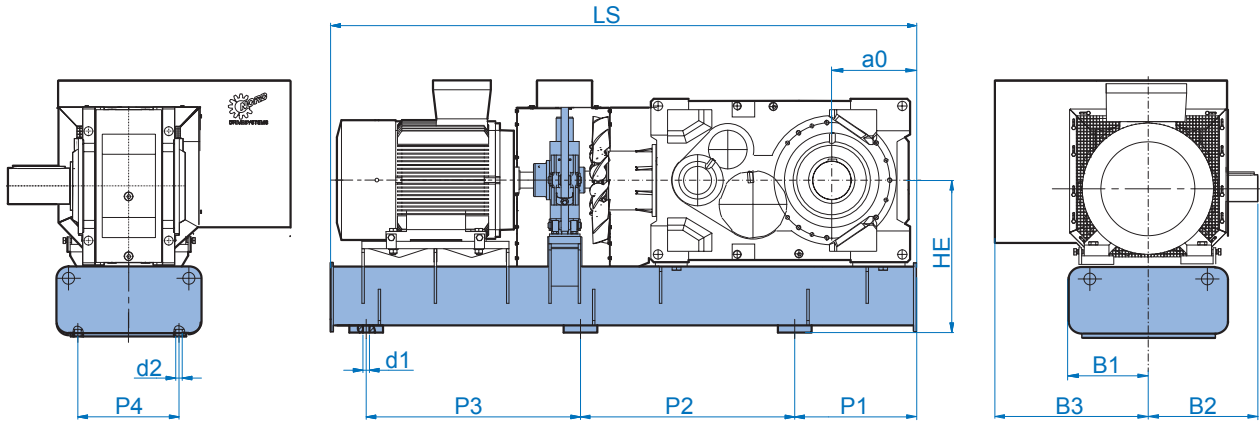
MFK	Motor size	LS	B1	B2	a0	HE	P1	P2	P3	P4	d1	d2
SK 5407 SK 5507	132S/4 - 132M/4	1600	400	403	275	583	250	550	550	290	40	22
	160M/4 - 225M/4	1850	400	403	275	583	250	675	675	290	40	22
	250M/4 - 315M/4	2100	400	403	275	583	250	800	800	290	40	22
	315MA/4 - 315L/4	2350	400	403	275	583	250	925	925	290	40	22
SK 6407 SK 6507	132S/4 - 132S/4	1600	400	403	305	603	250	550	550	290	40	22
	132M/4 - 200L/4	1850	400	403	305	603	250	675	675	290	40	22
	225S/4 - 280M/4	2100	400	403	305	603	250	800	800	290	40	22
	315S/4 - 315L/4	2350	400	403	305	603	250	925	925	290	40	22
SK 7407 SK 7507	132S/4 - 160M/4	1850	400	452	355	620	270	655	655	290	40	22
	160L/4 - 250M/4	2100	400	452	355	620	270	780	780	290	40	22
	280S/4 - 315L/4	2350	400	452	355	620	270	905	905	290	40	22
SK 8407 SK 8507	132S/4 - 132M/4	1850	400	452	385	650	270	655	655	290	40	22
	160M/4 - 225M/4	2100	400	452	385	650	270	780	780	290	40	22
	250M/4 - 315M/4	2350	400	452	385	650	270	905	905	290	40	22
SK 9407 SK 9507	132S/4 - 180L/4	2100	400	557	390	680	270	780	780	350	40	22
	200L/4 - 280M/4	2350	400	557	390	680	270	905	905	350	40	22
	315S/4 - 315L/4	2600	400	557	390	680	270	1030	1030	350	40	22
SK 10407 SK 10507	132S/4 - 160M/4	2100	400	557	425	715	270	780	780	350	40	22
	160L/4 - 250M/4	2350	400	557	425	715	270	905	905	350	40	22
	280S/4 - 315L/4	2600	400	557	425	715	270	1030	1030	350	40	22
SK 11407	225S/4 - 280M/4	2600	400	580	430	740	270	1030	1030	350	45	26
	315S/4 - 315L/4	2850	400	580	430	740	270	1155	1155	350	45	26
	315LA/4 - 355M/4	3100	400	580	430	740	270	1280	1280	350	45	26
SK 11507	160M/4 - 225S/4	2350	400	580	430	740	270	905	905	350	45	26
	225M/4 - 280M/4	2600	400	580	430	740	270	1030	1030	350	45	26



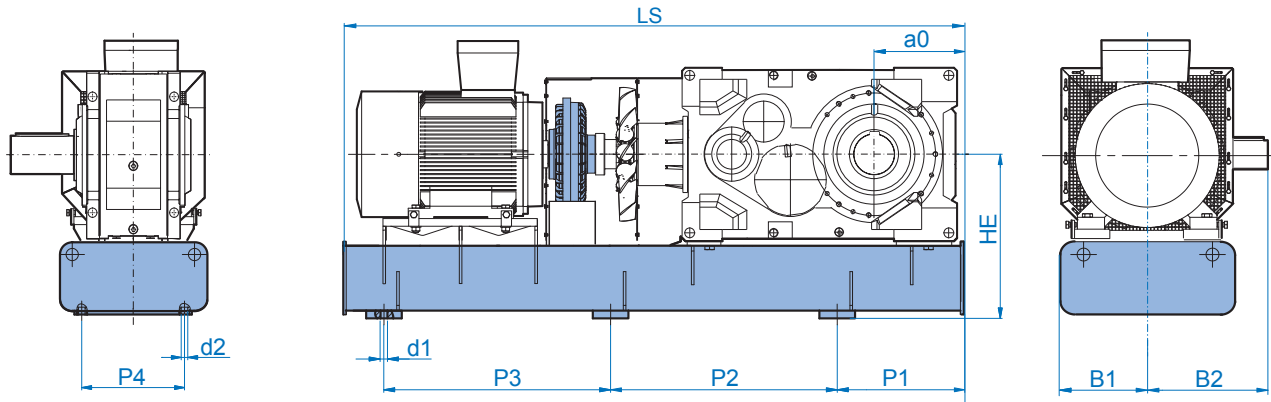
MFK	Motor size	LS	B1	B2	a0	HE	P1	P2	P3	P4	d1	d2
SK 12407	225S/4 - 280M/4	2850	400	665	465	890	270	1155	1155	500	45	26
	315S/4 - 315L/4	3100	400	665	465	890	270	1280	1280	500	45	26
	315LA/4 - 355M/4	3350	400	665	465	890	270	1405	1405	500	45	26
SK 12507	160L/4 - 250M/4	2600	400	665	465	890	270	1030	1030	500	45	26
	280S/4 - 280M/4	2850	400	665	465	890	270	1155	1155	500	45	26
SK 13407	250M/4 - 280M/4	3100	400	763	535	940	300	1250	1250	500	45	26
	315S/4 - 315LB/4	3350	400	763	535	940	300	1375	1375	500	45	26
	355S/4 - 355M/4	3600	400	763	535	940	300	1500	1500	500	45	26
SK 13507	180M/4 - 250M/4	2850	400	763	535	940	300	1125	1125	500	45	26
	280S/4 - 280M/4	3100	400	763	535	940	300	1250	1250	500	45	26
SK 14407	315S/4 - 315L/4	3600	400	793	565	990	300	1500	1500	500	45	26
	315LA/4 - 315LB/4	3850	400	793	565	990	300	1625	1625	500	45	26
	355S/4 - 355M/4	4100	400	793	565	990	300	1750	1750	500	45	26
SK 14507	180M/4 - 250M/4	3100	400	793	565	990	300	1250	1250	500	45	26
	280S/4 - 280M/4	3350	400	793	565	990	300	1375	1375	500	45	26
SK 15407	280S/4 - 315L/4	3600	400	805	605	1125	300	1500	1500	500	45	26
	315LA/4 - 315LB/4	3850	400	805	605	1125	300	1625	1625	500	45	26
	355S/4 - 355M/4	4100	400	805	605	1125	300	1750	1750	500	45	26
SK 15507	225S/4 - 225M/4	3100	400	805	605	1125	300	1250	1250	500	45	26
	250M/4 - 315S/4	3350	400	805	605	1125	300	1375	1375	500	45	26



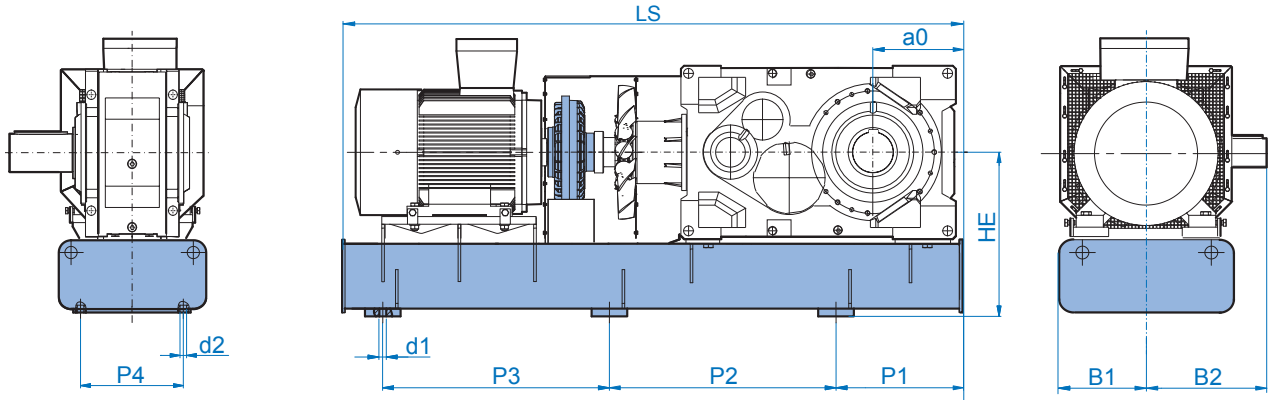
MFKB	Motor size	LS	B1	B2	B3	a0	HE	P1	P2	P3	P4	d1	d2
SK 5407 SK 5507	132S/4 - 132M/4	1600	400	403	500	275	583	250	550	550	290	40	22
	160M/4 - 225M/4	1850	400	403	655	275	583	250	675	675	290	40	22
	250M/4 - 315M/4	2100	400	403	695	275	583	250	800	800	290	40	22
	315MA/4 - 315L/4	2350	400	403	860	275	583	250	925	925	290	40	22
SK 6407 SK 6507	132S/4 - 132S/4	1600	400	403	500	305	603	250	550	550	290	40	22
	132M/4 - 200L/4	1850	400	403	580	305	603	250	675	675	290	40	22
	225S/4 - 280M/4	2100	400	403	695	305	603	250	800	800	290	40	22
	315S/4 - 315L/4	2350	400	403	860	305	603	250	925	925	290	40	22
SK 7407 SK 7507	132S/4 - 160M/4	1850	400	452	500	355	620	270	655	655	290	40	22
	160L/4 - 250M/4	2100	400	452	695	355	620	270	780	780	290	40	22
	280S/4 - 315L/4	2350	400	452	860	355	620	270	905	905	290	40	22
SK 8407 SK 8507	132S/4 - 132M/4	1850	400	452	500	385	650	270	655	655	290	40	22
	160M/4 - 225M/4	2100	400	452	655	385	650	270	780	780	290	40	22
	250M/4 - 315M/4	2350	400	452	695	385	650	270	905	905	290	40	22
SK 9407 SK 9507	132S/4 - 180L/4	2100	400	557	500	390	680	270	780	780	350	40	22
	200L/4 - 280M/4	2350	400	557	695	390	680	270	905	905	350	40	22
	315S/4 - 315L/4	2600	400	557	860	390	680	270	1030	1030	350	40	22
SK 10407 SK 10507	132S/4 - 160M/4	2100	400	557	500	425	715	270	780	780	350	40	22
	160L/4 - 250M/4	2350	400	557	695	425	715	270	905	905	350	40	22
	280S/4 - 315L/4	2600	400	557	860	425	715	270	1030	1030	350	40	22
SK 11407	225S/4 - 280M/4	2600	400	580	695	430	740	270	1030	1030	350	45	26
	315S/4 - 315L/4	2850	400	580	860	430	740	270	1155	1155	350	45	26
	315LA/4 - 355M/4	3100	400	580	860	430	740	270	1280	1280	350	45	26
SK 11507	160M/4 - 225S/4	2350	400	580	580	430	740	270	905	905	350	45	26
	225M/4 - 280M/4	2600	400	580	695	430	740	270	1030	1030	350	45	26



MFKB	Motor size	LS	B1	B2	B3	a0	HE	P1	P2	P3	P4	d1	d2
SK 12407	225S/4 - 280M/4	2850	400	665	695	465	890	270	1155	1155	500	45	26
	315S/4 - 315L/4	3100	400	665	860	465	890	270	1280	1280	500	45	26
	315LA/4 - 355M/4	3350	400	665	860	465	890	270	1405	1405	500	45	26
SK 12507	160L/4 - 250M/4	2600	400	665	695	465	890	270	1030	1030	500	45	26
	280S/4 - 280M/4	2850	400	665	695	465	890	270	1155	1155	500	45	26
SK 13407	250M/4 - 280M/4	3100	400	763	695	535	940	300	1250	1250	500	45	26
	315S/4 - 315LB/4	3350	400	763	860	535	940	300	1375	1375	500	45	26
	355S/4 - 355M/4	3600	400	763	860	535	940	300	1500	1500	500	45	26
SK 13507	180M/44 - 250M/4	2850	400	763	695	535	940	300	1125	1125	500	45	26
	280S/4 - 280M/4	3100	400	763	695	535	940	300	1250	1250	500	45	26
SK 14407	315S/4 - 315L/4	3600	400	793	860	565	990	300	1500	1500	500	45	26
	315LA/4 - 315LB/4	3850	400	793	860	565	990	300	1625	1625	500	45	26
	355S/4 - 355M/4	4100	400	793	860	565	990	300	1750	1750	500	45	26
SK 14507	180M/4 - 250M/4	3100	400	793	695	565	990	300	1250	1250	500	45	26
	280S/4 - 280M/4	3350	400	793	695	565	990	300	1375	1375	500	45	26
SK 15407	280S/4 - 315L/4	3600	400	805	860	605	1125	300	1500	1500	500	45	26
	315LA/4 - 315LB/4	3850	400	805	860	605	1125	300	1625	1625	500	45	26
	355S/4 - 355M/4	4100	400	805	860	605	1125	300	1750	1750	500	45	26
SK 15507	225S/4 - 225M/4	3100	400	805	655	605	1125	300	1250	1250	500	45	26
	250M/4 - 315S/4	3350	400	805	695	605	1125	300	1375	1375	500	45	26
	315M/4 - 315LB/4	3600	400	805	860	605	1125	300	1500	1500	500	45	26

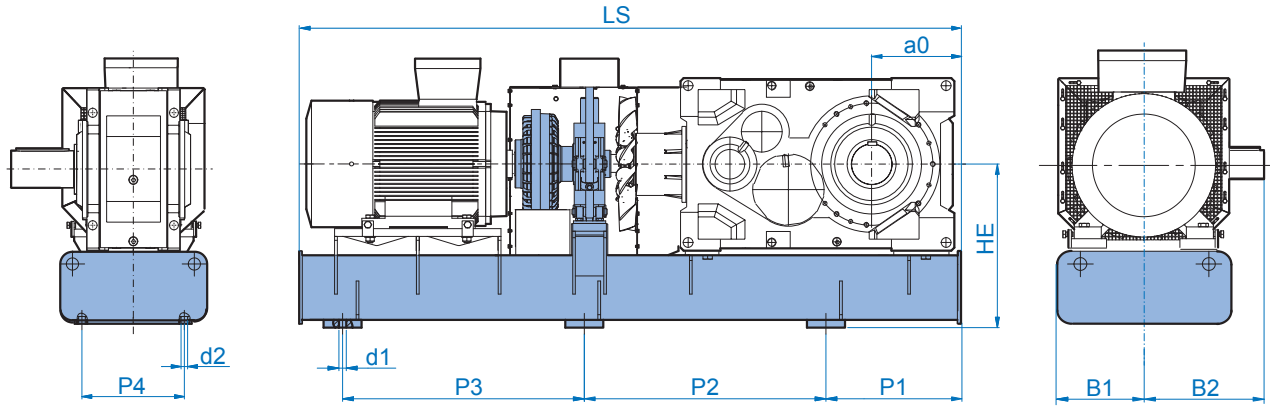


MFT	Motor size	LS	B1	B2	a0	HE	P1	P2	P3	P4	d1	d2
SK 5407 SK 5507	132S/4 - 132M/4	1600	400	403	275	583	250	550	550	290	40	22
	160M/4 - 225M/4	1850	400	403	275	583	250	675	675	290	40	22
	250M/4 - 315L/4	2100	400	403	275	583	250	800	800	290	40	22
	315MA/4 - 315L/4	2350	400	403	275	583	250	925	925	290	40	22
SK 6407 SK 6507	132S/4 - 132S/4	1600	400	403	305	603	250	550	550	290	40	22
	132M/4 - 200L/4	1850	400	403	305	603	250	675	675	290	40	22
	225S/4 - 280M/4	2100	400	403	305	603	250	800	800	290	40	22
	315S/4 - 315L/4	2350	400	403	305	603	250	925	925	290	40	22
SK 7407 SK 7507	132S/4 - 132M/4	1850	400	452	355	620	270	655	655	290	40	22
	160M/4 - 225M/4	2100	400	452	355	620	270	780	780	290	40	22
	250M/4 - 280M/4	2350	400	452	355	620	270	905	905	290	40	22
SK 8407 SK 8507	132S/4 - 132S/4	1850	400	452	385	650	270	655	655	290	40	22
	132M/4 - 200L/4	2100	400	452	385	650	270	780	780	290	40	22
	225S/4 - 315S/4	2350	400	452	385	650	270	905	905	290	40	22
SK 9407 SK 9507	132S/4 - 160M/4	2100	400	557	390	680	270	780	780	350	40	22
	160L/4 - 225M/4	2350	400	557	390	680	270	905	905	350	40	22
	280S/4 - 315L/4	2600	400	557	390	680	270	1030	1030	350	40	22
SK 10407 SK 10507	132S/4 - 132M/4	2100	400	557	425	715	270	780	780	350	40	22
	160M/4 - 225M/4	2350	400	557	425	715	270	905	905	350	40	22
	250M/4 - 315M/4	2600	400	557	425	715	270	1030	1030	350	40	22
SK 11407	315S/4 - 250M/4	2600	400	580	430	740	270	1030	1030	350	45	26
	280S/4 - 315L/4	2850	400	580	430	740	270	1155	1155	350	45	26
	315LA/4 - 315LB/4	3100	400	580	430	740	270	1280	1280	350	45	26
SK 11507	160M/4 - 180L/4	2350	400	580	430	740	270	905	905	350	45	26
	200L/4 - 280M/4	2600	400	580	430	740	270	1030	1030	350	45	26



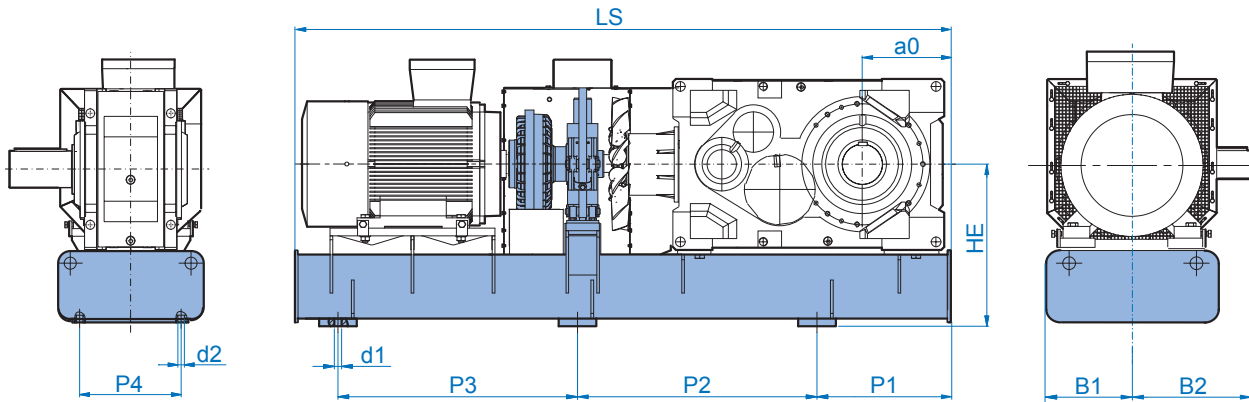
MFT	Motor size	LS	B1	B2	a0	HE	P1	P2	P3	P4	d1	d2
SK 12407	225S/4 - 250M/4	2850	400	665	465	890	270	1155	1155	500	45	26
	280S/4 - 315L/4	3100	400	665	465	890	270	1280	1280	500	45	26
	315LA/4 - 315LB/4	3350	400	665	465	890	270	1405	1405	500	45	26
SK 12507	160M/4 - 225M/4	2600	400	665	465	890	270	1030	1030	500	45	26
	250M/4 - 280M/4	2850	400	665	465	890	270	1155	1155	500	45	26
SK 13407	250M/4 - 280S/4	3100	400	763	535	940	300	1250	1250	500	45	26
	280M/4 - 315L/4	3350	400	763	535	940	300	1375	1375	500	45	26
	315LA/4 - 355M/4	3600	400	763	535	940	300	1500	1500	500	45	26
SK 13507	180M/4 - 225M/4	2850	400	763	535	940	300	1125	1125	500	45	26
	250M/4 - 280M/4	3100	400	763	535	940	300	1250	1250	500	45	26
SK 14407	315S/4 - 315L/4	3600	400	793	565	990	300	1500	1500	500	45	26
	315LA/4 - 315LB/4	3850	400	793	565	990	300	1625	1625	500	45	26
	355S/4 - 355M/4	4100	400	793	565	990	300	1750	1750	500	45	26
SK 14507	180M/4 - 250M/4	3100	400	793	565	990	300	1250	1250	500	45	26
	280S/4 - 280M/4	3350	400	793	565	990	300	1375	1375	500	45	26
SK 15407	280S/4 - 315M/4	3600	400	805	605	1125	300	1500	1500	500	45	26
	315MA/4 - 315LB/4	3850	400	805	605	1125	300	1625	1625	500	45	26
	355S/4 - 355M/4	4100	400	805	605	1125	300	1750	1750	500	45	26
SK 15507	225S/4 - 280M/4	3350	400	805	605	1125	300	1375	1375	500	45	26
	315S/4 - 315L/4	3600	400	805	605	1125	300	1500	1500	500	45	26

# SK ..407 MFTB SK ..507 MFTB



MFTB	Motor size	LS	B1	B2	B3	a0	HE	P1	P2	P3	P4	d1	d2
SK 5407 SK 5507	132S/4 - 132M/4	1600	400	403	500	275	583	250	550	550	290	40	22
	160M/4 - 225M/4	1850	400	403	580	275	583	250	675	675	290	40	22
	250M/4 - 315M/4	2100	400	403	695	275	583	250	800	800	290	40	22
	315MA/4 - 315L/4	2350	400	403	860	275	583	250	925	925	290	40	22
SK 6407 SK 6507	132S/4 - 132S/4	1600	400	403	500	305	603	250	550	550	290	40	22
	132M/4 - 200L/4	1850	400	403	580	305	603	250	675	675	290	40	22
	225S/4 - 280M/4	2100	400	403	695	305	603	250	800	800	290	40	22
	315S/4 - 315L/4	2350	400	403	860	305	603	250	925	925	290	40	22
SK 7407 SK 7507	132S/4 - 132M/4	1850	400	452	500	355	620	270	655	655	290	40	22
	160M/4 - 225M/4	2100	400	452	655	355	620	270	780	780	290	40	22
	250M/4 - 315M/4	2350	400	452	695	355	620	270	905	905	290	40	22
SK 8407 SK 8507	132S/4 - 132S/4	1850	400	452	500	385	650	270	655	655	290	40	22
	132M/4 - 200L/4	2100	400	452	580	385	650	270	780	780	290	40	22
	225S/4 - 280M/4	2350	400	452	695	385	650	270	905	905	290	40	22
SK 9407 SK 9507	132S/4 - 160M/4	2100	400	557	500	390	680	270	780	780	350	40	22
	160L/4 - 250M/4	2350	400	557	695	390	680	270	905	905	350	40	22
	280S/4 - 315L/4	2600	400	557	860	390	680	270	1030	1030	350	40	22
SK 10407 SK 10507	132S/4 - 132M/4	2100	400	557	500	425	715	270	780	780	350	40	22
	160M/4 - 225M/4	2350	400	557	655	425	715	270	905	905	350	40	22
	250M/4 - 315M/4	2600	400	557	695	425	715	270	1030	1030	350	40	22
SK 11407	225S/4 - 250M/4	2600	400	580	695	430	740	270	1030	1030	350	45	26
	280S/4 - 315L/4	2850	400	580	860	430	740	270	1155	1155	350	45	26
	315LA/4 - 315LB/4	3100	400	580	860	430	740	270	1280	1280	350	45	26
SK 11507	160M/4 - 180L/4	2350	400	580	500	430	740	270	905	905	350	45	26
	200L/4 - 280M/4	2600	400	580	695	430	740	270	1030	1030	350	45	26





MFTB	Motor size	LS	B1	B2	B3	a0	HE	P1	P2	P3	P4	d1	d2
SK 12407	225S/4 - 250M/4	2850	400	665	695	465	890	270	1155	1155	500	45	26
	280S/4 - 315L/4	3100	400	665	860	465	890	270	1280	1280	500	45	26
	315LA/4 - 315LB/4	3350	400	665	860	465	890	270	1405	1405	500	45	26
SK 12507	160M/4 - 225M/4	2600	400	665	655	465	890	270	1030	1030	500	45	26
	250M/4 - 280M/4	2850	400	665	695	465	890	270	1155	1155	500	45	26
SK 13407	250M/4 - 280S/4	3100	400	763	695	535	940	300	1250	1250	500	45	26
	280M/4 - 315L/4	3350	400	763	860	535	940	300	1375	1375	500	45	26
	315LA/4 - 355M/4	3600	400	763	860	535	940	300	1500	1500	500	45	26
SK 13507	180M/4 - 225M/4	2850	400	763	655	535	940	300	1125	1125	500	45	26
	250M/4 - 280M/4	3100	400	763	695	535	940	300	1250	1250	500	45	26
SK 14407	315S/4 - 315L/4	3600	400	793	860	565	990	300	1500	1500	500	45	26
	315LA/4 - 315LB/4	3850	400	793	860	565	990	300	1625	1625	500	45	26
	355S/4 - 355M/4	4100	400	793	860	565	990	300	1750	1750	500	45	26
SK 14507	180M/4 - 250M/4	3100	400	793	695	565	990	300	1250	1250	500	45	26
	280S/4 - 280M/4	3350	400	793	695	565	990	300	1375	1375	500	45	26
SK 15407	280S/4 - 315M/4	3600	400	805	695	605	1125	300	1500	1500	500	45	26
	315MA/4 - 315LB/4	3850	400	805	860	605	1125	300	1625	1625	500	45	26
	355S/4 - 355M/4	4100	400	805	860	605	1125	300	1750	1750	500	45	26
SK 15507	315S/4 - 315L/4	3600	400	805	860	605	1125	300	1500	1500	500	45	26
	315LA/4 - 315LB/4	3850	400	805	860	605	1125	300	1625	1625	500	45	26





# Contact Information & Conditions of Sale

---

<b>Contacts</b> .....	<b>282</b>
<b>NORD Locator Tool</b> .....	<b>283</b>
<b>Terms of Sale - NORD Gear Corporation</b> .....	<b>284</b>
<b>Terms of Sale - NORD Limited</b> .....	<b>285</b>



## United States

**NORD Gear Corporation - Midwest Headquarters**  
800 Nord Drive, P.O. 367  
Waunakee, WI 53597

toll free: 1-888-314-6673  
phone: 1-608-849-7300  
fax: 1-800-373-6673  
email: info.us@nord.com

**NORD Gear Corporation - East**  
300-E Forsyth Hall Drive  
Charlotte, NC 28273

toll free: 1-888-314-6673  
phone: 1-980-215-7575  
fax: 1-888-259-6673  
email: info.us@nord.com

**NORD Gear Corporation - West**  
1180 Railroad Street  
Corona, CA 92882

toll free: 1-888-314-6673  
phone: 1-951-393-6565  
fax: 1-888-408-6673  
email: info.us@nord.com

For Sales office or distributors please contact us or see our website at [www.nord.com](http://www.nord.com)



## Global Headquarters Germany

**Getriebebau NORD GmbH & Co. KG**  
Getriebebau-Nord-Straße 1  
22941 Bargteheide  
Germany

phone: +49-4532-2890  
Fax: +49 4532-289-2253  
eMail: info@nord.com

For Sales office or distributors please contact us or see our website at [www.nord.com](http://www.nord.com)



## Canada

**NORD Gear Limited**  
41 West Drive  
Brampton, Ontario L6T 4A1

toll free: 1-800-668-4378  
phone: 1-905-796-3606  
fax: 1-905-796-8130  
eMail: info.ca@nord.com

For Sales office or distributors please contact us or see our website at [www.nord.com](http://www.nord.com)



## Mexico

**Mexico NORD Drivesystems SA DE CV**  
Mexico Regional Office  
Av. Lázaro Cárdenas 1007 Pte.  
San Pedro Garza García, N.L.  
México, C.P. 66266

phone: +52-81-8220-9165  
fax: +52-81-8220-9044  
eMail: info.mx@nord.com

For Sales office or distributors please contact us or see our website at [www.nord.com](http://www.nord.com)



## Nord Locator Tool

For international contacts (outside of North America), NORD makes it easy for you to locate address and phone number of the sales contact or facility nearest you on our homepage or with the web address: [www.locator.nord.com](http://www.locator.nord.com).



**SALES CONTACT** →

1 **Country**  
United States

2 **or State search**  
please select a State

3 **Distance**  
25 miles

**Zip code**

**or Phone number search**  
(Include at least the first 6 digits)

It is as easy as submitting your location and we provide you with a list of our nearest district managers, distributors and plant locations for your convenience.

**NORD Office for**

**United States/Idaho** Print List

**NORD district manager(s) for Idaho**

<p><b>NORD Gear Corp</b> Scott Fisher 7845 E Arden Ave Denver, CO 80221 Phone: 1-720-325-5371 Fax: 1-800-551-3732 E-Mail: <a href="mailto:scott.fisher@nord.com">scott.fisher@nord.com</a> Homepage: <a href="http://www.nord.com">http://www.nord.com</a></p>	<p><input type="button" value="Save VCard"/> <input type="button" value="Print"/></p>
<p><b>NORD Gear Corp</b> DuWaine Weber 2215 32nd Ave SE Frykholm, WA 98375-4811 Phone: 1-252-380-2150 Fax: 1-800-564-3732 E-Mail: <a href="mailto:duwayne.weber@nord.com">duwayne.weber@nord.com</a> Homepage: <a href="http://www.nord.com">http://www.nord.com</a></p>	<p><input type="button" value="Save VCard"/> <input type="button" value="Print"/></p>

**NORD plant for Idaho**

<p><b>NORD Gear Corp - West</b> 1180 Railroad St. Corona, CA 92502 Phone: 1-888-214-4673 Fax: 1-888-499-6673 E-Mail: <a href="mailto:info.us@nord.com">info.us@nord.com</a> Homepage: <a href="http://www.nord.com">http://www.nord.com</a></p>	<p><input type="button" value="Save VCard"/> <input type="button" value="Scope Map"/> <input type="button" value="Print"/></p>
---	--

**Distributors Idaho**

<p><b>Bearings &amp; Industrial Sales Inc</b> 625 Under Blvd Dana Hills, CA 91603 Phone: 1-209-522-6200 Fax: 1-209-522-6272</p>	<p><input type="button" value="Print"/></p>
---	---

Contacts

www.nord.com      Subject to Change Without Notice      G1050 · 50/60 Hz      283

# NORD GEAR CORPORATION

## Terms and Conditions of Sale

### 1. CONTRACT

Any contract between Nord Gear Corporation, hereinafter designated as Seller, and the Buyer is subject to the terms and conditions of sale hereinafter set forth. Any deviation from such terms and conditions must be specifically set forth in writing and consented to by Seller. Accordingly, the Buyer and Seller acknowledge and agree that the terms and conditions set forth below and on the face hereof shall govern Buyer's purchase of the goods described on the face hereof and shall take precedence over and represent the final agreement between Buyer and Seller, notwithstanding any inconsistent, contradictory or other prior or further conditions contained in any oral or written request or purchase order issued by Buyer or any other document furnished by Buyer in connection with its purchase of the Goods, regardless of whether such document or documents are exchanged simultaneously with this Invoice or prior or subsequent thereto. Any additional or different terms or conditions which may appear in any communication, oral or written, from Seller, its officers, employees, agents or representatives, are hereby expressly rejected and shall not be effective or binding upon the Seller, unless specifically hereafter agreed to in writing by Seller and no such additional or different terms or conditions in any document submitted to Seller by Buyer shall become part of the contract between Buyer and Seller, unless such written acceptance by Seller specifically recognizes and assents to their inclusion. Any objection by Buyer to the terms and conditions hereof shall be ineffective unless Seller is advised in writing thereof within two (2) days of the date of this Invoice.

### 2. CONFIRMATION

An order shall be deemed accepted only when duly confirmed by Seller, at Nord Gear Corporation's home office in Waunakee, Wisconsin, and upon such confirmation the order shall become a contract binding upon the parties hereto, their successors and assigns.

### 3. PRICES

Prices shown are list prices and may be subject to applicable discounts. Unless otherwise agreed upon in writing, prices are FOB factory Waunakee, Wisconsin. Prices and discounts are subject to change without notice until order is accepted. Seller's prices do not include cost of any inspection permits required.

### 4. LIMITED WARRANTY

Seller warrants the goods sold hereunder to be free from defects in material and workmanship under normal use and service not arising from misuse, negligence, or accident, including but not limited to the use, installation, and transportation of the goods by the Buyer, its agents, servants, employees, or by carriers. Such obligations under this warranty are limited to remedying any deficiencies in the goods at Waunakee, Wisconsin, or at such place or places in the United States of America as may be designated by Seller. THIS WARRANTY SHALL PERTAIN TO ANY PART OR PARTS OF ANY GOODS TO WHICH BUYER OR ITS ASSIGNS HAS GIVEN WRITTEN NOTICE OF CLAIMED DEFECTS TO SELLER. NORD GEAR CORP. WARRANTS ITS PRODUCTS AGAINST DEFECTS IN MATERIAL AND WORKMANSHIP FOR A PERIOD OF 12 MONTHS FROM DATE OF INSTALLATION OR 18 MONTHS FROM DATE OF SHIPMENT WHICHEVER COMES FIRST ON ALL COMPONENTS. 36 MONTHS FROM DATE OF INVOICE OR 24 MONTHS FROM DATE OF INSTALLATION WHICHEVER COMES FIRST ON GEARS AND HOUSINGS ONLY. PARTS WHICH ARE SUBJECT TO OPERATIONAL WEAR AND TEAR, SUCH AS BELTS & TRACTION DISCS, ARE NOT COVERED BY THE LIMITED WARRANTY. Buyer shall be required to furnish Seller with details of such defects and this warranty shall be effective as to such goods which Seller's examination shall disclose to its satisfaction to have been defective and which at Seller's option shall promptly thereafter be returned to Seller or its nominees. THE LIMITED WARRANTY SET FORTH HEREIN IS IN LIEU OF ALL OTHER WARRANTIES, EXPRESS OR IMPLIED. EXCEPT FOR THE EXPRESS WARRANTIES SET FORTH HEREIN, SELLER HAS MADE AND MAKES NO OTHER WARRANTIES, EXPRESS OR IMPLIED. AS TO THE GOODS SOLD HEREUNDER, INCLUDING, BUT NOT LIMITED TO, THEIR MERCHANTABILITY OR FITNESS FOR ANY PARTICULAR PURPOSE. ANY DESCRIPTION OR MODEL OF THE GOODS IS FOR IDENTIFICATION OR ILLUSTRATIVE PURPOSES ONLY AND SHALL NOT BE DEEMED TO CREATE ANY WARRANTY, EXPRESS OR IMPLIED. SELLER MAKES NO REPRESENTATIONS AS TO THE CAPACITY OR PERFORMANCE OF THE GOODS SOLD HEREUNDER, EXCEPT AS SET FORTH IN THE INVOICE'S SPECIFICATIONS OR OTHER VALID AGREEMENT OR CONDITION AGREED TO BETWEEN THE PARTIES, AND ANY SUCH REPRESENTATIONS ARE EXPRESSLY CONDITIONED UPON THE CORRECTNESS OF THE DATA AND INFORMATION FURNISHED BY THE BUYER AND UPON THE GOODS BEING PROPERLY INSTALLED AND MAINTAINED. THE REMEDIES OF THE BUYER PROVIDED HEREUNDER ARE EXCLUSIVE. In no event shall the Seller be liable to the Buyer or to any other person for any loss or damage, direct or indirect, arising out of or caused by the use or operation of the goods, or for the loss of profits, business, or good will, or for any incidental, special or consequential damages. Seller shall in no event be liable to any person or firm (including any assignee or Buyer) except Buyer and its successors. Unless specifically authorized by Seller in writing, Seller shall not become responsible for any repair work done by Buyer or any other party on any goods sold. Any and all costs of the return to the Seller of such goods and all related costs to remove and re-install such goods, shall be borne by Buyer. Goods sold but not manufactured by the Seller are being warranted as to defects in material and workmanship consistent with the limited warranty policy of the original manufacturer of the goods and if there is not such a limited warranty policy, the warranty shall be limited to the provision of the preceding paragraph of Article 4 herein. Standards for the operating characteristics of the gearboxes and the gearmotors are in conformity with Seller's tests.

### 5. SHORTAGE AND NONCONFORMITY

Any claim of shortage or that the goods do not conform with the specifications of the order or model must be made in writing within ten (10) days after delivery of the goods (as to which such claim is made) to Buyer or its nominees, but in no event shall the claim be later than within the time limit provided by the carrier or insurance company, otherwise such claim shall be deemed waived. Buyer may not return any goods claimed to be in non-conformity without Seller's prior written authorization. Goods returned without permission will not be accepted, including for credit, and will be returned to Buyer, F.O.B. Seller's plant. Any claim based on the receipt of damaged Goods must be filed with the carrier which delivered the goods. The samples, measurements, dimensions and weights contained in the Seller's catalogs, sales manuals, photographs and drawings constitute only an approximate guide. The Seller reserves the right to make any change which the Seller, in its absolute discretion, considers necessary. While the goods will be delivered principally according to specifications or standards or quantities agreed upon, insignificant deviations or insignificant changes in construction are permissible. The same applies to partial deliveries. In the event that Buyer has a verified claim of shortage or nonconformity of the goods to the specifications of the order or the model, and if such claim has been submitted within the required time limit as set forth above, the Seller shall, at its own expense, make up for the shortage of the goods, or replace or repair the goods, as the case may be, but in no event shall Seller be or become liable to Buyer or to any other person or persons for any loss in damage, direct or indirect, arising out of or caused by such incidents or for the loss of profits, business or good will. The liability of the Seller to Buyer, if any hereunder, for breach of warranty, contract, negligence or otherwise, shall in no event exceed the amount of the purchase price of the goods sold with respect to which any damages are claimed. Shipping dates are estimates unless parties expressly agree on time of the essence.

### 6. FORCE MAJEURE

The obligation of the Seller shall be modified or excused, as the case may be, for reasons of Acts of God, war, governmental law regulations, strikes or lock-outs, fire, breakdown of machinery, whether in its own business enterprise, or if for any other cause beyond Seller's control, the goods cannot be delivered or their delivery becomes delayed in whole or in part. In the above instances time for delivery shall be extended for the period of the delay caused, with the proviso, however, that either party may cancel in writing the undelivered portion of the order or contract if the delay exceeds six (6) months from the delivery date originally confirmed by Seller. In no event shall Seller become liable in the aforesaid instances to Buyer or any third party for consequential damages or business loss.

### 7. SHIPMENT AS UNIT

Each shipment by Seller shall be treated as a separate and distinct unit with respect, but only with respect to forwarding, terms of payment, and the making of claims by the Buyer: provided, however, that if the Buyer defaults in the payment of any obligation to Seller or any installments thereof, under any agreement between Buyer and Seller, or if Buyer refuses to accept any goods when tendered for delivery, the Seller may, on fifteen (15) days written notice to the Buyer, without prejudice to Seller's other lawful remedies, either defer further performance until the defaulted payments are made in full, or make future deliveries for cash in advance only, or treat the entire contract or contracts with Buyer as breached by the Buyer and pursue its remedies for breach.

### 8. BUYER'S REFUSAL OF DELIVERY

If Buyer refuses to accept delivery of any goods tendered for delivery, then Seller, without prejudice to Seller's other lawful remedies, may either store or cause such goods to be stored in a warehouse, for buyer's account and at Buyer's cost, risk and expense, or sell such goods (without notice) to any purchaser at public or private sale, and hold the Buyer liable for any difference between (a) the contract price of the goods, and (b) the price at which goods are resold less the costs and expense of such resale including brokerage commissions, or restocking charges.

### 9. GOODS IN TRANSIT

If prior to delivery or while the goods are in transit, Buyer or Seller becomes bankrupt or insolvent, or any petition in bankruptcy or for the reorganization or for a state court receivership is filed against Buyer or Seller, as the case may be, then the other party hereto may forthwith terminate this contract by giving written notice of such termination. Such termination shall not affect any claim for damages available to the Buyer, provided that if Buyer is then indebted to Seller, the amount of any such damage claim shall be abated to the extent that the indebtedness of Buyer to Seller, as actually paid in money, is abated by any order of judgment entered or any plan adopted in any bankruptcy, reorganization, receivership, or similar proceeding. Such termination shall not prejudice the Seller's rights to any amounts then due under the contract. If Buyer becomes bankrupt or insolvent or any petition in bankruptcy or for reorganizing or if a state court receivership is filed against Buyer, then, at its option Seller may take possession of any goods theretofore sold to Buyer, in connection with which the full purchase price has not been paid, analogous to the terms and provisions set forth in Paragraphs 11 and 12 hereinafter.

### 10. DELIVERY

(a) Any indicated dates of delivery are approximate only, but NORD Gear will attempt to meet them whenever possible. (b) NORD Gear will not be liable for any penalty clauses contained in any specifications or order submitted unless agreed to in writing by an authorized officer of NORD Gear Corporation. (c) Unless otherwise agreed, delivery of the goods to any carrier shall constitute delivery to the Buyer, and thereafter the risk of loss or damage to the goods shall be upon the Buyer. (d) If the Buyer does not give delivery instructions to the Seller at least (10) days prior to the delivery date ex factory confirmed by the Seller, the Seller may deliver the goods to a carrier of its own choosing, at Buyer's cost and risk, or, at Seller's option, may store the goods on the pier or any warehouse, at Buyer's cost and risk. Any purchase price in such event becomes due and payable within ten (10) days of such storage.

### 11. PAYMENT OF PURCHASE PRICE

Time of payment is of the essence under the contract. Unless otherwise provided, terms of payment are 30 days net from the date of invoice with a 1% discount if paid within 10 days of date of invoice. Upon default in any of the terms of the contract, or failure to comply with any of the conditions thereof, or upon seizure of the property under execution or other legal process, or if the Buyer becomes bankrupt or insolvent, or any petition for reorganization or for a state court receivership is filed against Buyer, or if the Buyer makes any assignment for the benefit of its creditors or otherwise sells, encumbers or disposes of the goods, or if for any other reason the Seller should deem itself insecure, the full amount of the purchase price then remaining unpaid shall at once become due and payable at the option of the Seller.

### 12. BUYER'S DEFAULT

Upon the Buyer's default, the Seller may dispose of the merchandise in any manner that it deems fit and, if it desires to resell same, may do so at private or public sale, with or without notice, and with or without the property being at the place of sale, subject, however, to applicable laws. The Seller or its assigns shall have the right to bid at such sale and may become the purchaser of the property. The proceeds of the sale shall first be applied to the expenses incurred in retaking, repairing, storing and selling the goods, reasonable attorney's fees included, and then shall be applied to the payment of the balance due under the contract. Any surplus amount shall be paid to the Buyer. If a deficiency results after the resale, the Buyer agrees to pay such forthwith, together with reasonable attorney's fees, for the recovery of the goods incurred by the Seller. If upon the Buyer's default, the Seller elects not to resell any goods which it may repossess, then the cost of repossession, including reasonable attorney's fees, shall forthwith be due and payable from Buyer to Seller. Buyer agrees to pay all reasonable costs and reasonable attorney's fees incurred by Seller in enforcing Seller's rights against Buyer, including Seller's right to payment of the purchase price of the goods and Buyer's payment of all other amounts owing to Seller required under this Invoice and Conditions of Sale.

### 13. SECURITY INTEREST AND TITLE

In states and localities which are governed by the Uniform Commercial Code, this contract shall serve as security agreement, reserving in Seller a security interest until full payment of purchase price. The provisions of the Uniform Commercial Code regarding security interest shall have preference and apply if inconsistent with other terms of the conditions of sale. In states and localities where the Uniform Commercial Code does not apply, title to the goods shall remain in the Seller or its assigns until full payment of the purchase price. Buyer agrees to execute forthwith and all documents in such a way and form as Seller may need for filing or recording the security interest under the Uniform Commercial Code with the proper registers or offices, or for filing or recording the conditional sales contract.

### 14. SALES AND USE TAX

Buyer agrees to bear and pay any sales or use tax in connection with the purchase herein, and to hold the Seller harmless from payment. At the option the Seller, Buyer shall give evidence of payment or of exemption certificate.

15. **INSURANCE** The Buyer shall keep the goods insured against damage by fire, water or other casualty as required by Seller, with a company acceptable to Seller, with loss payable to Seller for the total purchase price until the Seller is fully paid. Seller, if it so elects, may place said insurance at Buyer's expense; Seller may cancel such insurance at any time and without notice and may receive the return premium, if any.

### 16. MODIFICATION BY SELLER

Any contract may be assigned or transferred by the Seller, or the time for the making of any payment due by Buyer may be extended by Seller without derogation of any of the rights of the Seller or its assigns. Waiver by any party of any default shall not be deemed a waiver of any subsequent default.

### 17. RETURNED GOODS

No goods will be accepted for return unless authorized in writing by Seller. In all cases, transportation and restocking charges will be borne by Buyer.

### 18. PACKING

The Buyer will be charged for export packaging or other special packing desired. Cost for cartage to ship or transfer express will be added to the invoice. No credit will be allowed if no packing is required.

### 19. CHANGES/CANCELLATION

NORD Gear will not accept changes in specifications to a confirmed order unless such changes are requested in writing and confirmed back in writing. In addition, the purchaser must to agree to any additional charges that may arise from the change. Placing orders on hold or cancellation of orders require Seller's written approval, and are subject to cancellation and/or restocking charges.

### 20. BUYER'S RESPONSIBILITY AS TO MAINTENANCE

Buyer shall use and shall require its employees and agents to use all safety devices and guards and shall maintain the same in proper working order. Buyer shall use and require its employees and agents to use safe operation procedures in operating the equipment and shall further obey and have its employees and agents obey safety instructions given by Seller. If Buyer fails to meet the obligations herein, Buyer agrees to defend, indemnify and save Seller harmless from any liability or obligation with regard to any personal injuries or property damages directly or indirectly connected with the operation of the equipment. Buyer further agrees to notify Seller promptly and in any event not later than ten (10) days after notice or knowledge of any accident or malfunction involving Seller's equipment which has caused personal injury or property damages and to cooperate fully with Seller in investigating and determining the causes of such accident and malfunction. In the event that Buyer fails to give such notice to Seller or to cooperate with Seller, Buyer shall be obligated to defend, indemnify and save Seller harmless from any such claims arising from such accident.

### 21. MISCELLANEOUS PROVISIONS

(a) If for any reason a provision of a contract is legally invalid, then in such event the rest of the contract shall remain in full force and effect, except that the parties shall try to replace such invalid provision closest to their original mutual intentions. (b) This Invoice and these Conditions of Sale constitute the entire agreement between the parties regarding the subject matter hereof and supercedes all prior agreements, understandings and statements, whether oral or written, regarding such subject matter. No modification to, change in or departure from, the provisions of this Invoice and Conditions of Sale shall be valid or binding on Seller, unless approved in writing by Seller. No course of dealing or usage of trade shall be applicable unless expressly incorporated into this Invoice and Conditions of Sale. Any amendments to any contract or contracts between the parties shall be valid only upon the written consent of both parties.

### 22. NON ASSIGNMENT BY BUYER

Contract or contracts may not be assigned by the Buyer without prior written consent of the Seller.

### 23. APPLICABLE LAW AND VENUE

All contracts and their interpretation are governed by the applicable, substantive laws of the State of Wisconsin. Any litigation brought by the Buyer regarding this Invoice or goods purchased hereunder may only be brought in the Circuit Court for Dane County, Wisconsin.

# NORD GEAR LIMITED

## Terms and Conditions of Sale

### 1. CONTRACT

Any contract between Nord Gear Limited, hereinafter designated as "Seller", and the party or parties accepting these terms and conditions of sale and any agent, officer, servant, employee or subcontractor of such party or parties, hereinafter designated as "Buyer", is subject to the terms and conditions of sale hereinafter set forth. Any deviation from such terms and conditions must be specifically set forth in writing and consented to by Seller.

### 2. CONFIRMATION

An order shall be deemed accepted only when duly confirmed by Seller, at Nord Gear Limited's home office in Brampton, Ontario, and upon such confirmation the orders shall become a contract binding upon the parties hereto, their successors and assigns.

### 3. PRICES

Prices shown are list prices and may be subject to applicable discounts. Unless otherwise agreed upon in writing, prices are FOB factory Brampton, Ontario. Prices and discounts are subject to change without notice until the order is accepted. Seller's prices do not include cost of any inspection permits required.

### 4. LIMITED WARRANTY

Seller warrants the goods sold hereunder to be free from defects in material and workmanship under normal use and service not arising from misuse, negligence, or accident, including but not limited to the use, installation, and transportation of the goods by Buyer, its agents, servants, employees, or by carriers. This warranty shall pertain to any part or parts of any goods to which Buyer or its assigns has within one year from date of delivery given written notice of claimed defects to Seller. Buyer shall be required to furnish Seller with details of such defects and this warranty shall be effective as to such goods which Seller's examination shall disclose to its satisfaction to have been defective and which at Seller's option shall promptly thereafter be returned to Seller or its nominees. EXCEPT FOR THE EXPRESS WARRANTIES SET FORTH ABOVE, SELLER HAS MADE NO WARRANTIES, EXPRESS, IMPLIED OR STATUTORY, AS TO THE GOODS SOLD HEREUNDER, INCLUDING, BUT NOT LIMITED TO THEIR MERCHANTABILITY OR FITNESS FOR ANY PARTICULAR PURPOSE. ANY DESCRIPTION OR MODEL OF THE GOODS IS FOR IDENTIFICATION OR ILLUSTRATIVE PURPOSES ONLY AND SHALL NOT BE DEEMED TO CREATE AN EXPRESS WARRANTY. The Buyer's exclusive remedy for claims arising from defective or nonconforming goods shall be limited to the repair or replacement thereof at the Seller's sole option. THE SELLER SHALL NOT BE RESPONSIBLE OR LIABLE FOR CONSEQUENTIAL DAMAGES ARISING OUT OF OR IN CONNECTION WITH THE SALE, DELIVERY, USE, PERFORMANCE, OR SERVICE OF THE GOODS SOLD UNDER THIS AGREEMENT. SELLER SHALL NOT BE LIABLE FOR ANY LOST PROFITS OR FOR ANY CLAIM OR DEMAND AGAINST SELLER BY ANY PARTY. IN NO EVENT WILL SELLER BE LIABLE FOR SPECIAL, INDIRECT OR CONSEQUENTIAL DAMAGES, EVEN IF SELLER HAS BEEN ADVISED OF THE POSSIBILITY OF SUCH DAMAGES. SELLER'S AGGREGATE LIABILITY FOR DAMAGES UNDER THIS AGREEMENT, WHETHER ARISING FROM OR BASED UPON BREACH OF WARRANTY, BREACH OF CONTRACT, TORT OR OTHER CAUSE OF ACTION, SHALL IN NO CASE EXCEED THE PURCHASE PRICE THAT BUYER PAYS FOR THE PARTICULAR GOODS INVOLVED. Seller shall in no event be liable to any person or firm (including any assignee or Buyer) except Buyer and its successors. Unless specifically authorized by Seller in writing, Seller shall not become responsible for any repair work done by Buyer or any other party on any goods sold. Any costs of the return of such goods to Seller shall be borne by Buyer. Goods sold but not manufactured by Seller are being warranted as to defects in material and workmanship consistent with the limited warranty policy of the original manufacturer of the goods and if there is not such a limited warranty policy, the warranty shall be limited to the provisions of Article 4 herein. Standards for the operating characteristics of the gearboxes and the gear motors are in conformity with Seller's tests. THIS WARRANTY IS IN LIEU OF ALL OTHER EXPRESS OR IMPLIED WARRANTIES, INCLUDING ANY IMPLIED WARRANTY OF MERCHANTABILITY OR FITNESS FOR ANY PARTICULAR PURPOSE SELLER DOES NOT ASSUME, NOR DOES IT AUTHORIZE ANY PERSON TO ASSUME, ON ITS BEHALF, ANY OTHER OBLIGATION OR LIABILITY.

### 5. SHORTAGE AND NONCONFORMITY

Any claim of shortage or that the goods do not conform with the specifications of the order or model must be made in writing within ten (10) days after delivery of the goods (as to which such claim is made) to Buyer or its nominees, but in no event shall the claim be later than within the time limit provided by the carrier or insurance company, otherwise such claim shall be deemed waived. The samples, measurements, dimensions and weights contained in Seller's catalogs, sales manuals, photographs and drawings constitute only an approximate guide. Seller reserves the right to make any changes which Seller, in its absolute discretion, considers necessary. While the goods will be delivered principally according to specifications of standards or quantities agreed upon, insignificant deviations or insignificant changes in construction are permissible. The same applies to partial deliveries. In the event that Buyer has a verified claim of shortage or nonconformity of the goods to the specifications of the order or the model, and if such claim has been submitted within the required time limit as set forth above, Seller shall, at its own expense, make up for the shortage of the goods, or replace or repair the goods, as the cause may be, but in no event shall Seller be or become liable to Buyer or to any other person or persons for any loss in damage, direct or indirect, arising out of or caused by such incidents or for the loss of profits, business of good will. Shipping dates are estimates unless parties expressly agree on time of the essence.

### 6. FORCE MAJEURE

The obligation of Seller shall be modified or excused, as the case may be, for reasons of Acts of God, war, governmental law regulations, strikes or lock-outs, fire, breakdown of machinery, whether in its own business enterprise, or if for any other cause beyond Seller's control, the goods cannot be delivered or their delivery becomes delayed in whole or in part. In the above instances time for delivery shall be extended for the period of the delay caused, with the proviso, however, that either party may cancel in writing the undelivered portion of the order of contract if the delay exceeds six (6) months from the delivery date originally confirmed by Seller. In no event shall Seller become liable in the aforesaid instances to Buyer or any third party for consequential damages or business loss.

### 7. SHIPMENT AS UNIT

Each shipment by Seller shall be treated as a separate and distinct unit with respect, but only with respect to forwarding, terms of payment, and the making of claims by Buyer; provided, however, that if Buyer defaults in the payment of any obligation to Seller or any installments thereof, under any agreement between Buyer and Seller, or if Buyer refuses to accept any goods when tendered for delivery, Seller may, on fifteen (15) days written notice to Buyer, without prejudice to Seller's other lawful remedies, either defer further performance until the defaulted payments are made in full, or make future deliveries for cash in advance only, or to treat the entire contract or contracts with Buyer as breached by Buyer and pursue its remedies for breach.

### 8. BUYER'S REFUSAL OF DELIVERY

If Buyer refuses to accept delivery of any goods tendered for delivery, then Seller, without prejudice to Seller's other lawful remedies, may either store or cause such goods to be stored in a warehouse, for Buyer's account and at Buyer's cost, risk and expense, or sell such goods (without notice) to any purchaser at public or private sale, and hold Buyer liable for any difference between (A) the contract price of the goods, and (B) the price at which goods are resold less the costs and expense of such resale including brokerage commissions, or restocking charges.

### 9. GOODS IN TRANSIT

If prior to delivery or while the goods are in transit, Buyer or Seller becomes bankrupt or insolvent, or any petition in bankruptcy or for the reorganization or for appointment of a receiver is filed against Buyer or Seller, as the case may be, then the other party hereto may forthwith terminate this contract by giving written notice of such termination. Such termination shall not affect any claim for damages available to Buyer, to Seller, as actually paid in money, is abated by any order of judgment entered or any plan adopted in any bankruptcy, reorganization, receivership, or similar proceeding. Such termination shall not prejudice Seller's rights to any amounts then due under the contract. If Buyer becomes bankrupt or insolvent or any petition in bankruptcy or for reorganization or if a state court receivership is filed against Buyer, then, at its option, Seller may take possession of any goods theretofore sold to Buyer, in connection with which the full purchase price has not been paid, analogous to the terms and provisions set forth in Paragraphs 11 and 12 hereinafter.

### 10. DELIVERY

(A) Unless otherwise agreed, delivery of the goods to any carrier shall constitute delivery to Buyer, and thereafter the risk of loss or damage to the goods shall be upon Buyer. (B) If Buyer does not give delivery instructions to Seller at least ten (10) days prior to the delivery date ex factory confirmed by Seller, Seller may deliver the goods to a carrier of its own choosing, at Buyer's cost and risk, or, at Seller's option may store the goods on the pier or on any warehouse at Buyer's cost and risk. Any purchase price in such event becomes due and payable within ten (10) days of such storage.

### 11. PAYMENT OF PURCHASE PRICE

Time of payment is of the essence under the contract. Upon default in any of the terms of the contract, or failure to comply with any of the conditions thereof, or upon seizure of the property under execution or other legal process, or if Buyer becomes bankrupt or insolvent, or any petitions for reorganization or for appointment of a receiver is filed against Buyer, or if Buyer makes any assignment for the benefit of its creditors or otherwise sells, encumbers or disposes of the goods, or if for any other reason Seller should deem itself insecure, the full amount of the purchase price then remaining unpaid shall at once become due and payable at the option of Seller. Interest on the delinquent payment from the due date thereof until paid shall be at a rate of two (2%) percent per month.

### 12. BUYER'S DEFAULT

Upon Buyer's default, Seller may dispose of the merchandise in any manner that it deems fit and, if it desires to resell same, may do so at private or public sale, with or without notice, and with or without the property being at the place of sale, subject, however, to applicable laws. Seller or its assigns shall have the right to bid at such sale and may become the purchaser of the property. The proceeds of the sale shall first be applied to the expenses incurred in retaking, repairing, storing and selling the goods; reasonable solicitor's fees included, and then shall be applied to the payment of the balance due under the contract. Any surplus amount shall be paid to Buyer. If a deficiency results after the sale, Buyer agrees to pay such forthwith, together with reasonable solicitor's fees, for the recovery of the goods incurred by Seller. If upon Buyer's default, Seller elects not to resell any goods which it may repossess, then the cost of repossession, including reasonable solicitor's fees, shall forthwith be due and payable from Buyer to Seller.

### 13. SECURITY INTEREST AND TITLE

In provinces which are governed by a Personal Property Security Act, this contract shall serve as a security agreement, reserving in Seller a security interest until full payment of the purchase price. The provisions of the Personal Property Security Act regarding security interest shall have preference and apply if inconsistent with other terms of the conditions of sale herein. In provinces where a Personal Property Security Act does not apply, title to the goods shall remain in the Seller or its assigns until full payment of the purchase price. Buyer agrees to execute forthwith any and all documents in such a way and form as Seller may need for filing or recording the security interest under a Personal Property Security Act with the proper registers or offices, or for filing or recording the Conditional Sales Contract herein.

### 14. SALES AND USE TAX

Seller's prices do not include sales, use, excise or other taxes payable to any governmental authority in respect of the sale of Seller's goods. Buyer shall pay, in addition to Seller's price, the amount of any such taxes or shall reimburse Seller for the amount thereof that Seller may be required to pay. At the option of Seller, Buyer shall give evidence of payment or of exemption certificate.

### 15. INSURANCE

Buyer shall keep the goods insured against damage by fire, water or other casualty as required by Seller, with a company acceptable to Seller, with loss payable to Seller for the total purchase price until Seller is fully paid. Seller, if it so elects, may place said insurance at Buyer's expense; Seller may cancel such insurance at any time and without notice and may receive the return premium, if any.

### 16. MODIFICATION BY SELLER

Any contract may be assigned or transferred by Seller, or the time for the making of any payment due by Buyer may be extended by Seller without derogation of any of the rights of Seller or its assigns. Waiver by any party of any default shall not be deemed a waiver of any subsequent default.

### 17. RETURNED GOODS

No goods will be accepted for return unless authorized in writing by Seller. In all cases, transportation and restocking charges will be borne by Buyer.

### 18. PACKING

Seller does not charge for standard packaging for domestic shipment. Buyer will be charged, however, for export packaging or other special packing desired. Cost for cartage to ship or transfer express will be added to the invoice. No credit will be allowed if no packing is required.

### 19. EXPORT ORDER

Export orders are to be accompanied by a confirmed irrevocable Letter of Credit in Seller's favor, in Canadian currency, with an accredited Canadian bank, subject to Seller's draft, with shipping documents attached.

### 20. CANCELLATION

Placing orders on hold or cancellation of orders require Seller's written approval, and are subject to cancellation and/or restocking charges.

### 21. BUYER'S RESPONSIBILITY AS TO MAINTENANCE

Buyer shall use and shall require its employees and agents to use all safety devices and guards and shall maintain the same in proper working order. Buyer shall use and require its employees and agents to use safe operating procedures in operating the equipment and shall further obey and have its employees and agents obey safety instructions given by Seller. If Buyer fails to meet the obligations herein, Buyer agrees to indemnify and save Seller harmless from any liability or obligation with regard to any personal injuries or property damages directly or indirectly connected with the operation of the equipment. Buyer further agrees to notify Seller promptly and in any event not later than ten (10) days after notice or knowledge of any accident or malfunction involving Seller's equipment which has caused personal injury or property damages and to cooperate fully with Seller in investigating and determining the causes of such accident and malfunction. In the event that Buyer fails to give such notice to Seller or to cooperate with Seller, Buyer shall be obligated to indemnify and save Seller harmless from any such claims arising from such accident.

### 22. MISCELLANEOUS PROVISIONS

(A) If for any reason a provision of a contract is legally invalid, then in such event the rest of the contract shall remain in full force and effect, except that the parties shall try to replace such invalid provision with a provision closest to their original mutual intentions. (B) Any amendments to any contract or contracts require the consent in writing by both parties. Headings in this document are for ease of reference only.

### 23. NON ASSIGNMENT BY BUYER

Contract or contracts may not be assigned by Buyer without prior written consent of Seller.

### 24. APPLICABLE LAW

This agreement shall be governed by the laws of the Province of Ontario and the applicable laws of Canada. Buyer and Seller agree that any judicial proceeding with respect to this agreement must be brought and maintained in the City of Toronto, in the Province of Ontario.

### 25.

This instrument sets forth the entire understanding and agreement of the parties hereto in respect of the subject matter hereof, and all prior undertaking between the parties hereto, together with all representations and obligations of such parties in respect of such subject matter, shall be superseded by and merged into this instrument.

### 26.

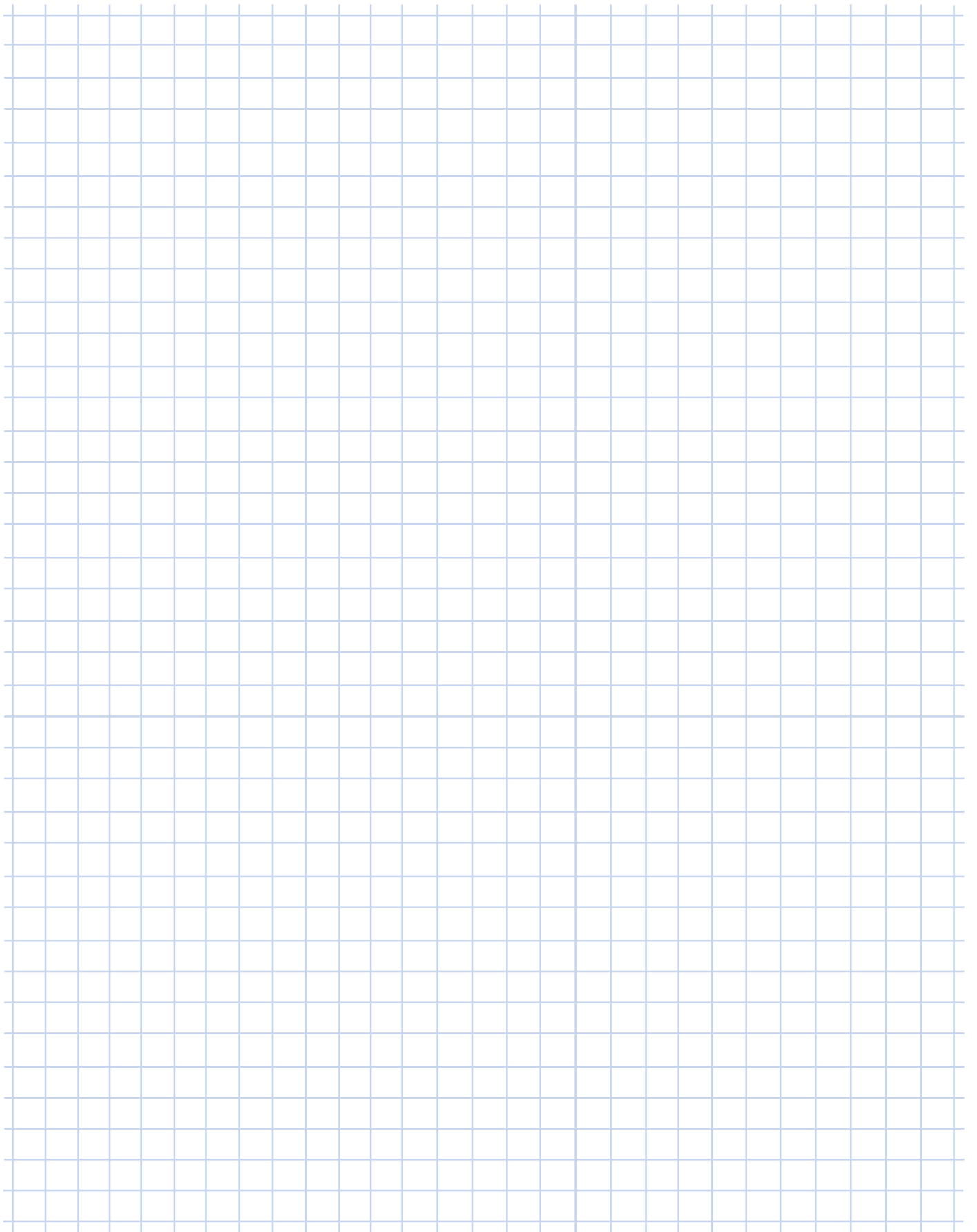
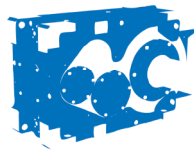
The provisions of this agreement shall bind and ensure to the benefit of the parties hereto and their respective heirs, executors, administrators, successors and (subject to any restrictions or assignment herein above set forth) assigns, as the case may be.

### 27.

The parties acknowledge that they have requested this document and all notices or other documents relating thereto be drafted in the English language.

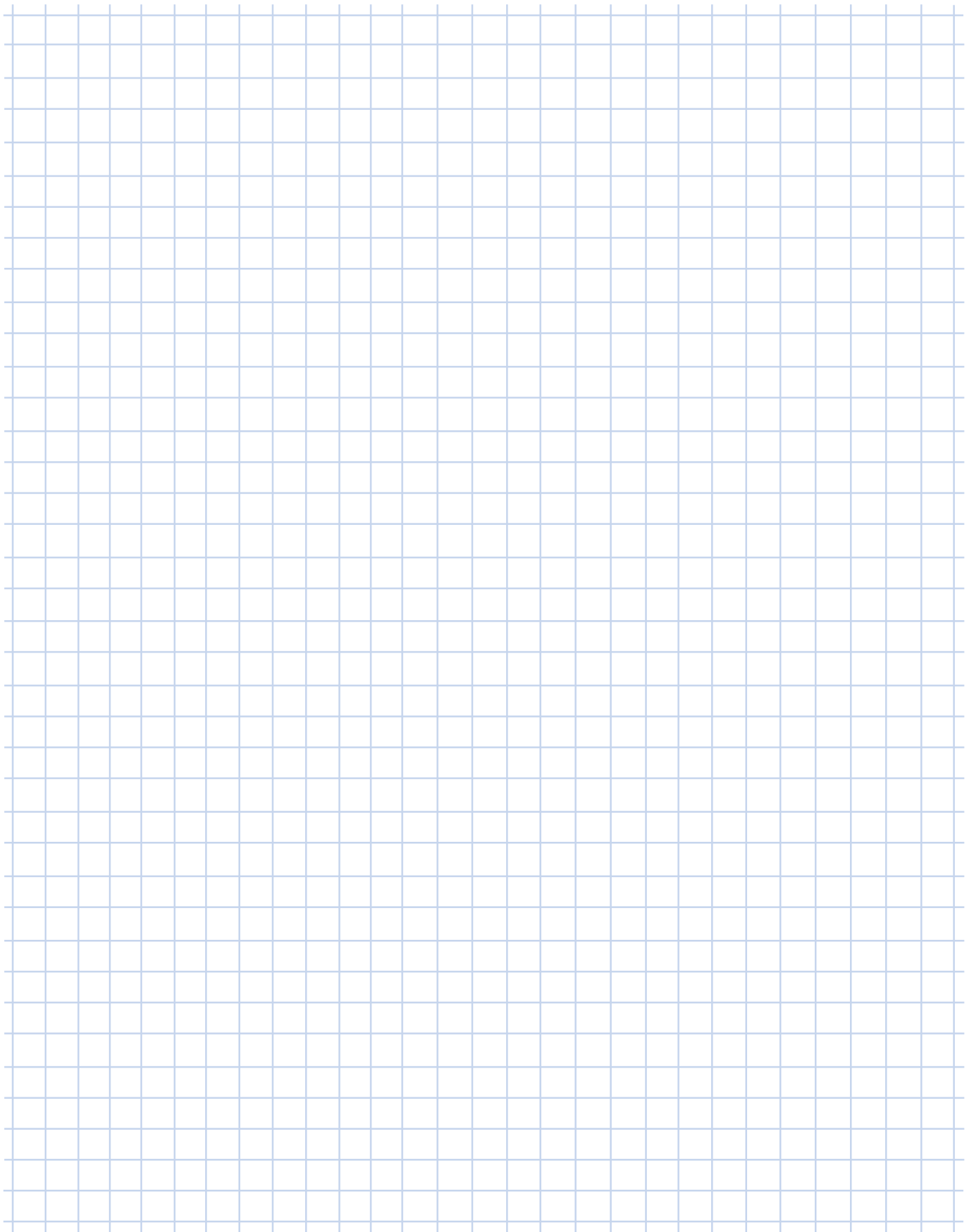
Les parties reconnaissent qu'ils ont requis que ce contrat et tous les avis ou autres documents qui s'y rapportent soient rédigés en langue anglaise.

\*Terms and Conditions in French available upon request.\*







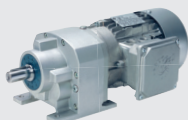


## UNICASE™ SPEED REDUCERS



### HELICAL IN-LINE

- Foot or Flange Mount
- Torque up to 205,000 lb-in
- Gear ratios - 1.82:1 to over 300,000:1



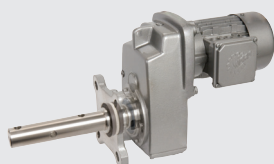
### NORDBLOC®.1 HELICAL IN-LINE

- Foot or Flange Mount
- Torque up to 26,550 lb-in
- Gear ratios - 1.88:1 to over 370:1



### PARALLEL HELICAL CLINCHER™

- Shaft, Flange or Foot Mount
- Torque up to 797,000 lb-in
- Gear ratios - 4.26:1 to over 300,000:1



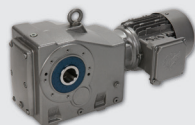
### SCP SCREW CONVEYOR PACKAGE

- Shaft, or Flange Mount
- Torque up to 53,100 lb-in
- Gear ratios - 4.32:1 to over 1500:1



### RIGHT ANGLE HELICAL-BEVEL 2-STAGE

- Foot, Flange or Shaft Mount
- Torque up to 5,840 lb-in
- Gear ratios - 4.1:1 to 70:1



### RIGHT ANGLE HELICAL-BEVEL

- Foot, Flange or Shaft Mount
- Torque up to 283,000 lb-in
- Gear ratios - 8.04:1 to over 300,000:1



### RIGHT ANGLE HELICAL-WORM

- Foot, Flange or Shaft Mount
- Torque up to 27,585 lb-in
- Gear ratios - 4.40:1 to over 300,000:1

## HIGH PERFORMANCE MOTORS & BRAKEMOTORS



### INVERTER/VECTOR DUTY

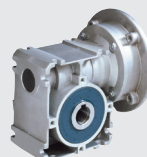
- Standard or Energy Efficient
- Integral, NEMA or Metric IEC
- 1/6 to 250 hp

## UNICASE™ SPEED REDUCERS



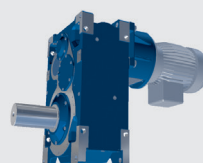
### MINICASE™ RIGHT ANGLE WORM

- Foot, Flange or Shaft Mount
- Torque up to 3,540 lb-in
- Gear ratios - 5:1 to 500:1



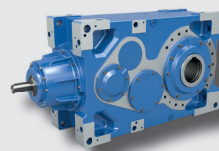
### FLEXBLOC™ WORM

- Modular bolt-on options
- Torque up to 4,683 lb-in
- Gear ratios - 5:1 to 3,000:1



### MAXXDRIVE™ LARGE INDUSTRIAL GEAR UNITS PARALLEL HELICAL

- Modular bolt-on options
- Torque up to 2,027,000 lb-in
- Gear ratios - 5:1 to 1,600:1



### MAXXDRIVE™ LARGE INDUSTRIAL GEAR UNITS HELICAL-BEVEL

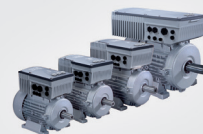
- Modular bolt-on options
- Torque up to 2,027,000 lb-in
- Gear ratios - 5:1 to 1,600:1

## NORDAC AC VECTOR DRIVES



### SK180E FAMILY

- Distributed, simple speed control
- 380-480V, 3-phase to 3.0 hp
- 200-240V, 3-phase to 1.5 hp
- 200-240V, 1-phase to 1.5 hp
- 100-120V, 1-phase to 0.75 hp



### SK200E FAMILY

- Distributed, high performance
- 380-480V, 3-phase to 30 hp
- 200-240V, 3-phase to 15 hp
- 200-240V, 1-phase to 1.5 hp
- 100-120V, 1-phase to 1.0 hp



### SK500E FAMILY

- Compact, cabinet mount, high performance
- 380-480V, 3-phase, to 125 hp
- 200-240V, 3-phase, to 25 hp
- 200-240V, 1-phase, to 3.0 hp
- 100-120V, 1-phase, to 1.5 hp



## Global Vision, Local Support

NORD makes its wide product range easily available through a global network that includes representation in over 60 countries. By providing all of our customers with prompt delivery, and expert support services, we are firmly committed to exceeding customer expectations and being responsive to the ideas and specifications of every customer, anywhere in the world.

## **NORD DRIVESYSTEMS Group**

**Headquarters and Technology Center**  
in Bargteheide, close to Hamburg

**Innovative drive solutions**  
for more than 100 branches of industry

**Mechanic products**  
parallel shaft, helical gear, bevel gear and worm gear units

**Electrical products**  
IE2/IE3/IE4 motors

**Electronic Products**  
centralised and decentralised frequency inverters,  
motor starters and field distribution systems

**7 state-of-the-art production plants**  
for all drive components

**Subsidiaries and sales partners**  
in 98 countries on 5 continents  
provide local stocks, assembly, production,  
technical support and customer service

**More than 4,000 employees throughout the world**  
create customer oriented solutions

**[www.nord.com/locator](http://www.nord.com/locator)**

## **NORD Gear Corporation**

MEMBER OF THE NORD DRIVESYSTEMS GROUP  
[info.us@nord.com](mailto:info.us@nord.com)

Waunakee, WI  
800 NORD Drive  
Waunakee, WI 53597  
Tel. 608.849.7300

Corona, CA  
1180 Railroad St.  
Corona, CA 92882  
Tel. 951.393.6565

Charlotte, NC  
300 Forsyth Hall Dr.  
Charlotte, NC 53597  
Tel. 980.215.7575

## **NORD Gear Limited - Canada**

MEMBER OF THE NORD DRIVESYSTEMS GROUP  
[info.us@nord.com](mailto:info.us@nord.com)

Brampton, ON  
41 West Drive  
Brampton, ON L6T4A1  
Tel. 800.668.4378

### **Headquarters:**

**Getriebebau NORD GmbH & Co. KG**  
Getriebebau-Nord-Straße 1  
22941 Bargteheide, Germany  
Fon +49 (0) 4532 / 289-0  
Fax +49 (0) 4532 / 289-2253  
[info@nord.com](mailto:info@nord.com), [www.nord.com](http://www.nord.com)

**Member of the NORD DRIVESYSTEMS Group**

  
**DRIVESYSTEMS**