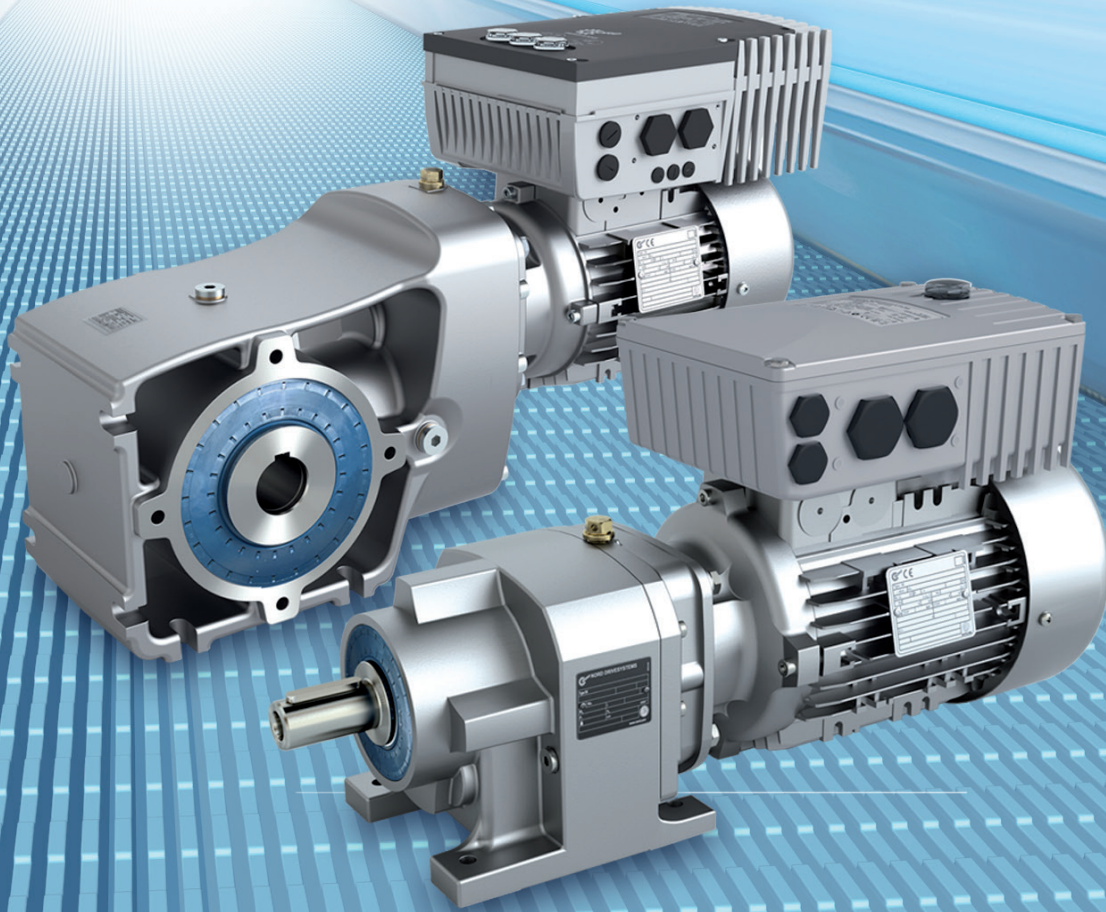


Intelligent Drivesystems. Worldwide Services

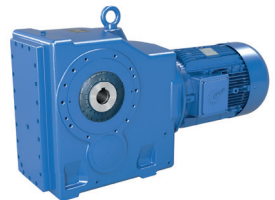
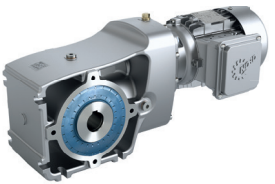
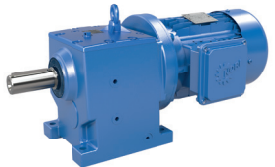
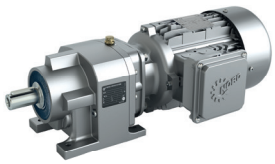


EN

PRODUCT INFORMATION

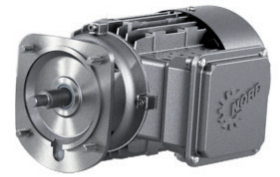
T160-0004 **IE4**





INTRODUCTION	3
PERFORMANCE TABLES	
NORDBLOC.1 In-line gear motors	4
NORDBLOC.1 In-line gear motors HM.	20
UNICASE In-line gear motors.	32
NORDBLOC.1 Helical-bevel gear motors	50
NORDBLOC.1 Helical-bevel gear motors HM	60
UNICASE Helical-bevel gear motors	64
UNICASE Parallel shaft gear motors	80
INFORMATION	
IE4 motor data	100
IE4 motor options	101
DIMENSION ILLUSTRATION	
NORDBLOC.1 In-line gear motors	102
UNICASE In-line gear motors.	112
NORDBLOC.1 Helical-bevel gear motors	122
UNICASE Helical-bevel gear motors	132
UNICASE Parallel shaft gear motors	150

The NORD IE4 motors shown in this catalogue are synchronous motors with permanent magnets in the rotor package. They cannot be started or operated direct online but rather only be operated with a frequency inverter. As synchronous motors, IE4 motors do not have any load-dependent slip.



NORD motors are designed for two different nominal speeds:

1. 2100 rpm at 70Hz (400V STAR, 230V DELTA)
2. 3000 rpm at 100Hz (400V DELTA)

The motor is connected in a delta circuit and theoretically operated at $70\text{Hz} \times 1.71 = 121\text{Hz}$ (similar to 87Hz characteristic for 50Hz motors).

However, as 121Hz operation generates a high level of noise the operating point is specified as 100Hz, 400V DELTA.

Both operating points are described in the catalogues and are stamped on the nameplate or can be found in the selection tables of NORD frequency inverters. In addition the nameplate provides information on the stator resistance R_S , the stator inductances L_d and L_q as well as the value of the induction voltage U_{EMK} . This information is necessary in order to program the frequency inverter.

NORD product range of frequency inverter for IE4 motors

The NORD IE4 motors must be controlled by frequency inverters. A separate warning sticker indicates the inverter requirement. The IE4 motors can be used with the following NORD frequency inverters:

- SK 180E with firmware V1.1R0 or higher
- SK 2xxE-...-FXE types. Hardware-level min. BAA.
- SK 5xxE-...-FXE types. Hardware-level min. DXX
- SK 540E with firmware V2.2R0 or higher



Motor - inverter assignment

The following assignment of the motors to the particular frequency inverters applies for operation up to the nominal speed. Higher speeds and overloads require corresponding application planning.

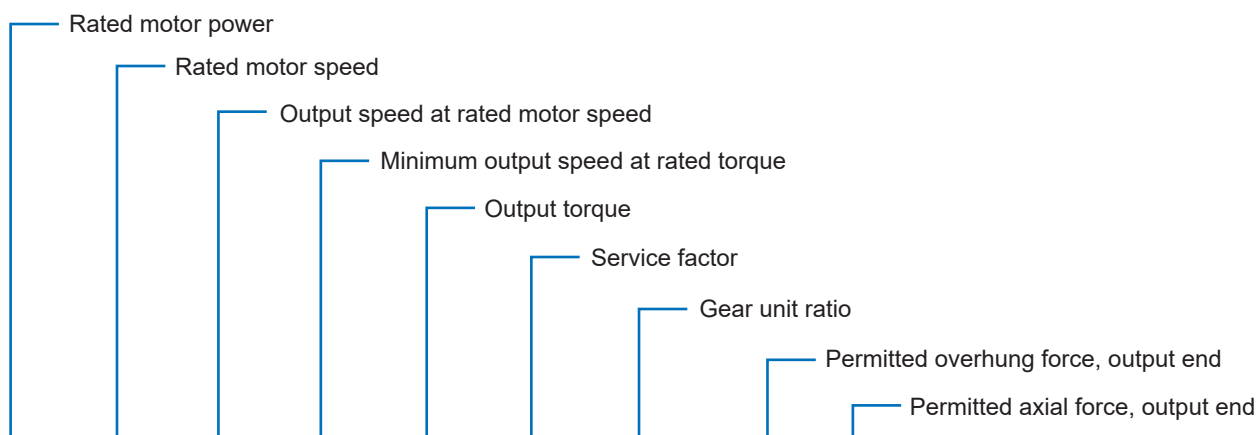
Size	M_N [Nm]	P_N [kW]	n_N [rpm]	I [A]	η	J [kgm ²]	m [kg]	M_{max} [Nm]	k_T [Nm/A]	k_E [mV/rpm]	FI assignment
80T1/4	5,0	1,1	2.100	2,03	90,5	0,0011	8,0	14,4	2,5	154	-111-123-; -111-323-; -111-340-
80T1/4 HM	3,41	0,75	2.100	1,46	90,5	0,0011	7,8	14,4	2,3	154	-111-123-; -111-323-; -111-340-
80T1/4 Δ	4,8	1,5	3.000	3,44	90,4	0,0011	8,0	14,4	1,4	89	-151-340-
90T1/4	6,8	1,5	2.100	2,82	89,9	0,0019	10,0	21,0	2,4	156	-151-323-; -151-340-
90T1/4 Δ	7,0	2,2	3.000	5,09	89,6	0,0019	10,0	21,0	1,4	90	-221-340-
90T3/4	10,0	2,2	2.100	4,13	90,5	0,0024	12,0	29,0	2,4	158	-221-323-; -221-340-
90T3/4 HM	5,0	1,1	2.100	2,08	92,7	0,0024	11,6	28,3	2,4	156	-151-323-; -151-340-
90T3/4 Δ	9,5	3,0	3.000	6,84	92,3	0,0024	12,0	29,0	1,4	91	-301-340-
100T2/4	13,6	3,0	2.100	5,4	91,4	0,0046	18,0	42,0	2,6	161	-301-323-; -301-340-
100T2/4 Δ	12,7	4,0	3.000	8,9	92,1	0,0046	18,0	42,0	1,5	93	-401-340-
100T5/4	18,2	4,0	2.100	7,1	92,1	0,0060	21,0	57,0	2,6	165	-401-323-; -401-340-
100T5/4 HM	10,0	2,2	2.100	4,16	91,0	0,0060	20,2	53,5	2,4	165	-301-323-; -301-340-
100T5/4 Δ	17,5	5,5	3.000	11,9	92,2	0,0060	21,0	57,0	1,5	95	-551-340-

Motor power vs. Inverter power

The assignment of the inverter---> motor is primarily made according to power. Due to the characteristic curves, in some cases a NORD inverter with a higher power must be assigned to the motor:
For IE4 smooth motors (HM) assignment of the inverter is carried out as for separate inverters (e.g. NORDAC PRO in control cabinet) for encoder feedback.

NORDBLOC.1 In-line gear motors

NORDBLOC.1 In-line gear motors



P1	n1	n2 nom	n2 min	M2	fB	i	FR	FA	FR (VL)	FA (VL)	Gearmotor
[kW]	[rpm]	[rpm]	[rpm]	[Nm]			[N]	[N]	[N]	[N]	
1.1	2100	94	13	112	0.8	22.42	2800	3900			SK 172.1 - 80T1/4
		103	15	102	0.8	20.37	2800	3900			
		113	16	93.0	0.9	18.60	2800	3900			
		133	19	78.8	1.1	15.76	2800	3900			
		155	22	67.7	1.3	13.54	2800	3900			
		174	25	60.3	1.4	12.06	2800	3900			
		184	26	57.0	1.5	11.39	2800	3900			
		194	28	54.2	1.6	10.83	2800	3900			
		214	31	49.0	1.7	9.79	2800	3900			
		241	34	43.6	2.0	8.72	2800	3900			
		268	38	39.2	2.1	7.83	2800	3900			
		297	42	35.4	2.3	7.08	2800	3900			
		326	47	32.2	2.5	6.43	2800	3900			
		364	52	28.9	2.7	5.77	2800	3900			
1.1	2100	62	8.9	169	1.1	33.84	4139	10200	7616	10200	SK 372.1 - 80T1/4
		70	10	151	1.2	30.11	4221	10200	7713	10200	
		81	12	129	1.5	25.85	4448	10200	7808	10200	
		91	13	115	1.7	23.00	4461	10200	7670	10200	
		102	15	103	1.8	20.62	4453	10200	7432	10200	
		114	16	92.0	2.2	18.40	4535	10200	7209	10200	
		127	18	82.5	2.3	16.50	4494	10200	6980	10200	
		144	21	72.9	2.6	14.57	4561	10200	6751	10200	
1.1	2100	45	6.4	235	0.9	47.05	3154	10200	7167	10200	SK 373.1 - 80T1/4
		49	7.1	212	0.9	42.46	3336	10200	7343	10200	
		56	8.1	186	1.1	37.23	3667	10200	7517	10200	
		63	9.0	166	1.2	33.20	4081	10200	7634	10200	
		71	10	149	1.4	29.77	4153	10200	7721	10200	
		81	12	130	1.6	25.94	4306	10200	7806	10200	
		90	13	117	1.8	23.41	4320	10200	7681	10200	
		92	13	114	1.8	22.74	4405	10200	7634	10200	
		102	15	103	2.0	20.52	4396	10200	7411	10200	
		113	16	93.2	2.0	18.63	4373	10200	7202	10200	

NORDBLOC.1 In-line gear motors

P1	n1	n2 nom	n2 min	M2	fB	i	FR	FA	FR (VL)	FA (VL)	Gearmotor
[kW]	[rpm]	[rpm]	[rpm]	[Nm]			[N]	[N]	[N]	[N]	
1.1	2100	39	5.5	272	1.4	54.41	9720	15000	10089	15000	SK 572.1 - 80T1/4
		46	6.6	229	1.4	45.77	9852	15000	10266	15000	
		50	7.1	212	1.7	42.38	9898	15000	10326	15000	
		59	8.4	178	2.1	35.65	9976	15000	10431	15000	
		73	10	145	2.6	28.91	10041	15000	10518	15000	
		78	11	135	3.0	27.00	10049	15000	10539	15000	
1.1	2100	19	2.7	557	0.8	111.36	5814	14500	7909	14500	SK 573.1 - 80T1/4
		19	2.7	546	0.8	109.12	5999	14500	8037	14500	
		20	2.8	537	0.8	107.42	6237	14500	8132	14500	
		22	3.2	473	1.0	94.50	7246	14500	8773	14500	
		25	3.5	426	1.1	85.18	7938	14500	9162	14500	
		27	3.9	385	1.2	76.88	8459	14500	9462	14500	
		31	4.4	338	1.3	67.64	9103	14500	9751	14500	
		34	4.9	305	1.5	60.97	9551	14500	9932	14500	
		38	5.4	279	1.6	55.80	9697	14500	10058	14500	
		42	6.0	248	1.8	49.60	9797	14500	10192	14500	
		44	6.3	240	1.9	47.95	9821	14500	10225	14500	
		48	6.9	217	2.1	43.40	9884	14500	10309	14500	
		50	7.1	211	2.1	42.18	9900	14500	10330	14500	
		55	7.9	190	2.4	38.02	9950	14500	10397	14500	
60	8.6	174	2.5	34.80	9985	14500	10443	14500			
68	9.7	155	2.8	30.93	10023	14500	10494	14500			
1.1	2100	37	5.3	283	1.4	56.65	10592	20000	15000	20000	SK 672.1 - 80T1/4
		47	6.7	223	2.0	44.55	10778	20000	15000	20000	
1.1	2100	14	2.0	735	0.9	146.88	6599	20000	12888	20000	SK 673.1 - 80T1/4
		16	2.2	673	1.0	134.64	7992	20000	13314	20000	
		17	2.4	617	1.0	123.33	8563	20000	13665	20000	
		18	2.6	580	1.1	115.89	8893	20000	13874	20000	
		20	2.9	518	1.2	103.48	9375	20000	14188	20000	
		22	3.2	474	1.3	94.86	9666	20000	14382	20000	
		25	3.6	419	1.5	83.70	9995	20000	14605	20000	
		29	4.1	368	1.7	73.64	10248	20000	14779	20000	
		32	4.5	330	1.9	65.95	10416	20000	14896	20000	
		35	5.0	302	2.1	60.45	10524	20000	14972	20000	
		38	5.4	276	2.3	55.12	10618	20000	15000	20000	
		42	6.1	248	2.6	49.50	10707	20000	15000	20000	
		47	6.7	224	2.9	44.85	10774	20000	15000	20000	

NORDBLOC.1 In-line gear motors

NORDBLOC.1 In-line gear motors

P1	n1	n2 nom	n2 min	M2	fB	i	FR	FA	FR (VL)	FA (VL)	Gearmotor
[kW]	[rpm]	[rpm]	[rpm]	[Nm]			[N]	[N]	[N]	[N]	
1.5	3000	134	13	107	0.9	22.42	2800	3900			SK 172.1 - 80T1/4D
		147	15	97.3	0.9	20.37	2800	3900			
		161	16	88.8	0.9	18.60	2800	3900			
		190	19	75.2	1.1	15.76	2800	3900			
		222	22	64.7	1.3	13.54	2800	3900			
		249	25	57.6	1.5	12.06	2800	3900			
		263	26	54.4	1.6	11.39	2800	3900			
		277	28	51.7	1.7	10.83	2800	3900			
		306	31	46.8	1.8	9.79	2800	3900			
		344	34	41.7	2.1	8.72	2800	3900			
		383	38	37.4	2.2	7.83	2800	3900			
		424	42	33.8	2.4	7.08	2800	3900			
		466	47	30.7	2.7	6.43	2800	3900			
		520	52	27.5	2.8	5.77	2800	3900			
1.5	2100	184	26	77.7	1.1	11.39	2800	3900			SK 172.1 - 90T1/4
		214	31	66.8	1.3	9.79	2800	3900			
		241	34	59.5	1.5	8.72	2800	3900			
		268	38	53.4	1.5	7.83	2800	3900			
		297	42	48.3	1.7	7.08	2800	3900			
		326	47	43.9	1.9	6.43	2800	3900			
		364	52	39.4	2.0	5.77	2800	3900			
		409	58	35.1	2.4	5.14	2800	3900			
		455	65	31.5	2.3	4.62	2800	3900			
		503	72	28.5	2.3	4.17	2800	3900			
		554	79	25.9	2.3	3.79	2800	3870			
		607	87	23.6	2.3	3.46	2800	3719			
		652	93	22.0	2.5	3.22	2786	3613			
		720	103	19.9	2.5	2.92	2702	3454			
		773	110	18.5	2.5	2.72	2650	3359			
		843	120	17.0	2.5	2.49	2577	3231			
906	129	15.8	2.7	2.32	2527	3144					
1.5	3000	89	8.9	162	1.2	33.84	3380	10200	7487	10200	SK 372.1 - 80T1/4D
		100	10	144	1.3	30.11	3480	10200	7255	10200	
		116	12	123	1.5	25.85	3724	10200	6989	10200	
		130	13	110	1.8	23.00	3757	10200	6764	10200	
		145	15	98.5	1.9	20.62	3767	10200	6557	10200	
		163	16	87.9	2.3	18.40	3863	10200	6364	10200	
		182	18	78.8	2.4	16.50	3840	10200	6165	10200	
		206	21	69.6	2.7	14.57	3922	10200	5965	10200	

NORDBLOC.1 In-line gear motors

P1	n1	n2 nom	n2 min	M2	fB	i	FR	FA	FR (VL)	FA (VL)	Gearmotor
[kW]	[rpm]	[rpm]	[rpm]	[Nm]			[N]	[N]	[N]	[N]	
1.5	2100	62	8.9	231	0.8	33.84	2530	10200	7204	10200	SK 372.1 - 90T1/4
		70	10	205	0.9	30.11	2761	10200	7392	10200	
		81	12	176	1.1	25.85	3220	10200	7576	10200	
		91	13	157	1.3	23.00	3346	10200	7416	10200	
		102	15	141	1.4	20.62	3433	10200	7200	10200	
		114	16	126	1.6	18.40	3643	10200	7006	10200	
		127	18	113	1.7	16.50	3677	10200	6795	10200	
		144	21	99.4	1.9	14.57	3868	10200	6594	10200	
		162	23	88.4	2.3	12.96	3861	10200	6376	10200	
		182	26	78.8	2.4	11.55	3925	10200	6182	10200	
		204	29	70.1	2.7	10.28	3886	10200	5972	10200	
223	32	64.1	3.0	9.40	3911	10200	5827	10200			
1.5	3000	56	5.6	258	0.8	54.00	1870	10200	6972	10200	SK 373.1 - 80T1/4D
		64	6.4	225	0.9	47.05	2374	10200	7252	10200	
		71	7.1	203	1.0	42.46	2568	10200	7410	10200	
		81	8.1	178	1.1	37.23	2911	10200	7568	10200	
		90	9.0	159	1.3	33.20	3329	10200	7435	10200	
		101	10	142	1.5	29.77	3418	10200	7218	10200	
		116	12	124	1.7	25.94	3589	10200	6968	10200	
		128	13	112	1.9	23.41	3619	10200	6770	10200	
		132	13	109	1.9	22.74	3705	10200	6732	10200	
		146	15	98.0	2.1	20.52	3713	10200	6537	10200	
		161	16	88.9	2.1	18.63	3707	10200	6355	10200	
1.5	2100	63	9.0	226	0.9	33.20	2472	10200	7238	10200	SK 373.1 - 90T1/4
		71	10	203	1.0	29.77	2680	10200	7408	10200	
		81	12	177	1.2	25.94	3024	10200	7573	10200	
		90	13	160	1.3	23.41	3138	10200	7413	10200	
		92	13	155	1.4	22.74	3280	10200	7379	10200	
		102	15	140	1.5	20.52	3359	10200	7175	10200	
		113	16	127	1.5	18.63	3412	10200	6985	10200	
1.5	3000	55	5.5	260	1.4	54.41	9212	15000	10143	15000	SK 572.1 - 80T1/4D
		66	6.6	219	1.5	45.77	9160	15000	10304	15000	
		71	7.1	202	1.8	42.38	9220	15000	10358	15000	
		84	8.4	170	2.2	35.65	9066	15000	10454	15000	
		104	10	138	2.8	28.91	8883	15000	10532	15000	

NORDBLOC.1 In-line gear motors

NORDBLOC.1 In-line gear motors

P1	n1	n2 nom	n2 min	M2	fB	i	FR	FA	FR (VL)	FA (VL)	Gearmotor
[kW]	[rpm]	[rpm]	[rpm]	[Nm]			[N]	[N]	[N]	[N]	
1.5	2100	39	5.5	371	1.0	54.41	8780	15000	9551	15000	SK 572.1 - 90T1/4
		46	6.6	312	1.0	45.77	8952	15000	9895	15000	
		50	7.1	289	1.3	42.38	9142	15000	10011	15000	
		59	8.4	243	1.5	35.65	9147	15000	10211	15000	
		67	9.6	213	1.7	31.28	9234	15000	10322	15000	
		73	10	197	1.9	28.91	9141	15000	10375	15000	
		78	11	184	2.2	27.00	9004	15000	10415	15000	
		85	12	168	2.6	24.58	8957	15000	10461	15000	
		96	14	149	2.8	21.85	8803	15000	10508	15000	
		107	15	133	3.0	19.57	8894	15000	10542	15000	
1.5	3000	27	2.7	532	0.8	111.36	6228	14500	8193	14500	SK 573.1 - 80T1/4D
		27	2.7	521	0.9	109.12	6401	14500	8306	14500	
		28	2.8	513	0.8	107.42	6626	14500	8390	14500	
		32	3.2	451	1.0	94.50	7569	14500	8959	14500	
		35	3.5	407	1.1	85.18	8180	14500	9307	14500	
		39	3.9	367	1.2	76.88	8291	14500	9577	14500	
		44	4.4	323	1.4	67.64	8569	14500	9837	14500	
		49	4.9	291	1.5	60.97	8730	14500	10001	14500	
		54	5.4	266	1.7	55.80	8948	14500	10115	14500	
		60	6.0	237	1.9	49.60	8908	14500	10236	14500	
		63	6.3	229	2.0	47.95	8921	14500	10266	14500	
		69	6.9	207	2.2	43.40	8938	14500	10342	14500	
		71	7.1	201	2.2	42.18	8938	14500	10361	14500	
		79	7.9	182	2.5	38.02	8916	14500	10422	14500	
		86	8.6	166	2.6	34.80	8951	14500	10465	14500	
97	9.7	148	3.0	30.93	8796	14500	10511	14500			
1.5	2100	27	3.9	524	0.9	76.88	6346	14500	8271	14500	SK 573.1 - 90T1/4
		31	4.4	461	1.0	67.64	7331	14500	8873	14500	
		34	4.9	416	1.1	60.97	7921	14500	9239	14500	
		38	5.4	381	1.2	55.80	8366	14500	9488	14500	
		42	6.0	338	1.3	49.60	8479	14500	9751	14500	
		44	6.3	327	1.4	47.95	8546	14500	9815	14500	
		48	6.9	296	1.5	43.40	8708	14500	9977	14500	
		50	7.1	288	1.6	42.18	8745	14500	10017	14500	
		55	7.9	259	1.7	38.02	8851	14500	10145	14500	
		60	8.6	237	1.9	34.80	9014	14500	10234	14500	
		68	9.7	211	2.1	30.93	8938	14500	10330	14500	
		78	11	183	2.4	26.77	9000	14500	10419	14500	
		88	13	162	2.6	23.79	8862	14500	10475	14500	
99	14	145	3.0	21.32	8715	14500	10516	14500			
1.5	3000	53	5.3	270	1.5	56.65	10636	20000	15000	20000	SK 672.1 - 80T1/4D
		67	6.7	213	2.1	44.55	10804	20000	15000	20000	

NORDBLOC.1 In-line gear motors

P1	n1	n2 nom	n2 min	M2	fB	i	FR	FA	FR (VL)	FA (VL)	Gearmotor
[kW]	[rpm]	[rpm]	[rpm]	[Nm]			[N]	[N]	[N]	[N]	
1.5	2100	37	5.3	386	1.0	56.65	10162	20000	14719	20000	SK 672.1 - 90T1/4
		47	6.7	304	1.5	44.55	10518	20000	14968	20000	
		59	8.4	244	2.3	35.75	10719	20000	15000	20000	
		64	9.2	222	2.7	32.58	10779	20000	15000	20000	
		72	10	198	2.8	29.08	10839	20000	15000	20000	
1.5	3000	19	1.9	771	0.8	161.45	5406	20000	12612	20000	SK 673.1 - 80T1/4D
		20	2.0	701	0.9	146.88	7495	20000	13127	20000	
		22	2.2	643	1.0	134.64	8312	20000	13509	20000	
		24	2.4	589	1.1	123.33	8815	20000	13824	20000	
		26	2.6	553	1.2	115.89	9108	20000	14013	20000	
		29	2.9	494	1.3	103.48	9538	20000	14296	20000	
		32	3.2	453	1.4	94.86	9799	20000	14472	20000	
		36	3.6	400	1.6	83.70	10095	20000	14674	20000	
		41	4.1	352	1.8	73.64	10324	20000	14832	20000	
		45	4.5	315	2.0	65.95	10476	20000	14938	20000	
		50	5.0	289	2.2	60.45	10574	20000	15000	20000	
		54	5.4	263	2.4	55.12	10659	20000	15000	20000	
		61	6.1	236	2.7	49.50	10740	20000	15000	20000	
67	6.7	214	3.0	44.85	10801	20000	15000	20000			
1.5	2100	18	2.6	790	0.8	115.89	4601	20000	12454	20000	SK 673.1 - 90T1/4
		20	2.9	706	0.9	103.48	7381	20000	13095	20000	
		22	3.2	647	1.0	94.86	8270	20000	13483	20000	
		25	3.6	571	1.1	83.70	8966	20000	13921	20000	
		29	4.1	502	1.3	73.64	9483	20000	14259	20000	
		32	4.5	450	1.4	65.95	9818	20000	14484	20000	
		35	5.0	412	1.6	60.45	10029	20000	14628	20000	
		38	5.4	376	1.7	55.12	10212	20000	14754	20000	
		42	6.1	338	1.9	49.50	10384	20000	14874	20000	
		47	6.7	306	2.1	44.85	10511	20000	14963	20000	
		51	7.2	283	2.3	41.54	10592	20000	15000	20000	
		56	8.1	254	2.5	37.23	10688	20000	15000	20000	
		62	8.8	233	2.6	34.12	10750	20000	15000	20000	
		68	9.7	211	2.5	30.92	10809	20000	15000	20000	
		76	11	188	2.8	27.61	10863	20000	15000	20000	
83	12	172	2.9	25.19	10898	20000	15000	20000			
92	13	156	2.9	22.82	10929	20000	15000	20000			

NORDBLOC.1 In-line gear motors

NORDBLOC.1 In-line gear motors

P1	n1	n2 nom	n2 min	M2	fB	i	FR	FA	FR (VL)	FA (VL)	Gearmotor
[kW]	[rpm]	[rpm]	[rpm]	[Nm]			[N]	[N]	[N]	[N]	
2.2	3000	89	8.9	237	0.8	33.84	1410	10200	7037	10200	SK 372.1 - 90T1/4D
		100	10	211	0.9	30.11	1692	10200	6850	10200	
		116	12	181	1.0	25.85	2219	10200	6645	10200	
		130	13	161	1.2	23.00	2391	10200	6453	10200	
		145	15	144	1.3	20.62	2517	10200	6273	10200	
		163	16	129	1.6	18.40	2771	10200	6116	10200	
		182	18	116	1.6	16.50	2840	10200	5937	10200	
		206	21	102	1.9	14.57	3074	10200	5772	10200	
		231	23	90.8	2.2	12.96	3101	10155	5587	10155	
		260	26	80.9	2.3	11.55	3199	9871	5424	9871	
		292	29	72.0	2.6	10.28	3191	9547	5244	9547	
319	32	65.8	2.9	9.40	3240	9331	5121	9330			
2.2	2100	91	13	230	0.9	23.00	1395	10200	6972	10200	SK 372.1 - 90T3/4
		102	15	206	0.9	20.62	1647	10200	6796	10200	
		114	16	184	1.1	18.40	2082	10200	6651	10200	
		127	18	165	1.2	16.50	2249	10200	6471	10200	
		144	21	146	1.3	14.57	2657	10200	6318	10200	
		162	23	130	1.5	12.96	2762	10200	6126	10200	
		182	26	116	1.6	11.55	2964	10200	5962	10200	
		204	29	103	1.8	10.28	3014	10200	5774	10200	
		223	32	94.0	2.0	9.40	3129	10200	5650	10200	
		255	36	82.3	2.2	8.22	3193	9915	5449	9915	
		290	41	72.3	2.4	7.23	3228	9576	5258	9576	
		305	44	68.9	2.5	6.89	3270	9466	5194	9465	
		319	46	65.8	2.4	6.58	3310	9363	5134	9362	
		353	50	59.5	2.7	5.95	3271	9086	4982	9085	
450	64	46.7	3.0	4.66	3179	8453	4633	8453			
2.2	3000	90	9.0	232	0.9	33.20	1357	10200	6986	10200	SK 373.1 - 90T1/4D
		101	10	208	1.0	29.77	1613	10200	6811	10200	
		116	12	182	1.2	25.94	2016	10200	6611	10200	
		128	13	164	1.3	23.41	2170	10200	6442	10200	
		132	13	159	1.3	22.74	2327	10200	6418	10200	
		146	15	144	1.5	20.52	2443	10200	6250	10200	
		161	16	130	1.5	18.63	2529	10200	6090	10200	
2.2	2100	81	12	259	0.8	25.94	778	10200	6957	10200	SK 373.1 - 90T3/4
		90	13	234	0.9	23.41	1068	10200	6945	10200	
		92	13	227	0.9	22.74	1311	10200	6931	10200	
		102	15	205	1.0	20.52	1544	10200	6766	10200	
		113	16	186	1.0	18.63	1730	10200	6606	10200	

NORDBLOC.1 In-line gear motors

P1	n1	n2 nom	n2 min	M2	fB	i	FR	FA	FR (VL)	FA (VL)	Gearmotor
[kW]	[rpm]	[rpm]	[rpm]	[Nm]			[N]	[N]	[N]	[N]	
2.2	3000	55	5.5	381	1.0	54.41	6749	15000	9486	15000	SK 572.1 - 90T1/4D
		66	6.6	321	1.0	45.77	7053	15000	9850	15000	
		71	7.1	297	1.2	42.38	7303	15000	9973	15000	
		84	8.4	250	1.5	35.65	7424	15000	10185	15000	
		96	9.6	219	1.7	31.28	7598	15000	10302	15000	
		104	10	202	1.9	28.91	7551	15000	10358	15000	
		111	11	189	2.1	27.00	7452	15000	10400	15000	
		122	12	172	2.5	24.58	7458	15000	10449	15000	
		137	14	153	2.7	21.85	7368	15000	10498	15000	
		153	15	137	2.9	19.57	7520	15000	10535	15000	
2.2	2100	50	7.1	424	0.9	42.38	6402	15000	9178	15000	SK 572.1 - 90T3/4
		59	8.4	357	1.0	35.65	6802	15000	9642	15000	
		67	9.6	313	1.2	31.28	7213	15000	9891	15000	
		73	10	289	1.3	28.91	7239	15000	10010	15000	
		78	11	270	1.5	27.00	7178	15000	10098	15000	
		85	12	246	1.7	24.58	7294	15000	10201	15000	
		96	14	219	1.9	21.85	7294	15000	10304	15000	
		107	15	196	2.0	19.57	7628	15000	10379	15000	
		128	18	165	2.4	16.46	7551	15000	10469	15000	
		137	20	154	2.8	15.38	7438	15000	10496	15000	
154	22	137	3.0	13.67	7328	15000	10535	15000			
2.2	3000	39	3.9	538	0.8	76.88	4572	14500	8120	14500	SK 573.1 - 90T1/4D
		44	4.4	474	1.0	67.64	5297	14500	8765	14500	
		49	4.9	427	1.1	60.97	5781	14500	9155	14500	
		54	5.4	391	1.2	55.80	6305	14500	9420	14500	
		60	6.0	347	1.3	49.60	6509	14500	9698	14500	
		63	6.3	336	1.3	47.95	6603	14500	9766	14500	
		69	6.9	304	1.5	43.40	6840	14500	9937	14500	
		71	7.1	295	1.5	42.18	6898	14500	9980	14500	
		79	7.9	266	1.7	38.02	7078	14500	10115	14500	
		86	8.6	244	1.8	34.80	7303	14500	10209	14500	
		97	9.7	217	2.0	30.93	7300	14500	10310	14500	
		112	11	187	2.3	26.77	7453	14500	10405	14500	
		126	13	167	2.6	23.79	7380	14500	10464	14500	
		141	14	149	2.9	21.32	7291	14500	10507	14500	

NORDBLOC.1 In-line gear motors

NORDBLOC.1 In-line gear motors

P1	n1	n2 nom	n2 min	M2	fB	i	FR	FA	FR (VL)	FA (VL)	Gearmotor
[kW]	[rpm]	[rpm]	[rpm]	[Nm]			[N]	[N]	[N]	[N]	
2.2	2100	38	5.4	558	0.8	55.80	4590	14500	7894	14500	SK 573.1 - 90T3/4
		42	6.0	496	0.9	49.60	5051	14500	8555	14500	
		44	6.3	480	0.9	47.95	5232	14500	8710	14500	
		48	6.9	434	1.0	43.40	5709	14500	9098	14500	
		50	7.1	422	1.1	42.18	5830	14500	9193	14500	
		55	7.9	380	1.2	38.02	6223	14500	9490	14500	
		60	8.6	348	1.3	34.80	6660	14500	9693	14500	
		68	9.7	309	1.4	30.93	6801	14500	9909	14500	
		78	11	268	1.6	26.77	7190	14500	10109	14500	
		88	13	238	1.8	23.79	7219	14500	10232	14500	
		99	14	213	2.0	21.32	7210	14500	10322	14500	
		109	16	192	2.2	19.22	7175	14500	10390	14500	
121	17	174	2.5	17.42	7121	14500	10443	14500			
2.2	3000	53	5.3	397	1.0	56.65	10110	20000	14684	20000	SK 672.1 - 90T1/4D
		67	6.7	312	1.4	44.55	10487	20000	14946	20000	
		84	8.4	250	2.2	35.75	10699	20000	15000	20000	
		92	9.2	228	2.7	32.58	10763	20000	15000	20000	
		103	10	204	2.7	29.08	10827	20000	15000	20000	
2.2	2100	47	6.7	446	1.0	44.55	9842	20000	14501	20000	SK 672.1 - 90T3/4
		59	8.4	358	1.5	35.75	10297	20000	14813	20000	
		64	9.2	326	1.9	32.58	10432	20000	14908	20000	
		72	10	291	1.9	29.08	10566	20000	15000	20000	
		102	15	206	3.0	20.62	10820	20000	15000	20000	
2.2	3000	29	2.9	725	0.9	103.48	6884	20000	12962	20000	SK 673.1 - 90T1/4D
		32	3.2	664	1.0	94.86	8091	20000	13374	20000	
		36	3.6	586	1.1	83.70	8838	20000	13839	20000	
		41	4.1	516	1.2	73.64	9389	20000	14197	20000	
		45	4.5	462	1.4	65.95	9746	20000	14435	20000	
		50	5.0	423	1.5	60.45	9969	20000	14587	20000	
		54	5.4	386	1.7	55.12	10163	20000	14721	20000	
		61	6.1	347	1.8	49.50	10346	20000	14847	20000	
		67	6.7	314	2.0	44.85	10479	20000	14941	20000	
		72	7.2	291	2.2	41.54	10566	20000	15000	20000	
		81	8.1	261	2.5	37.23	10667	20000	15000	20000	
		88	8.8	239	2.5	34.12	10733	20000	15000	20000	
		97	9.7	217	2.4	30.92	10794	20000	15000	20000	
		109	11	193	2.7	27.61	10851	20000	15000	20000	
		119	12	176	2.8	25.19	10888	20000	15000	20000	
131	13	160	2.8	22.82	10922	20000	14825	20000			

NORDBLOC.1 In-line gear motors

P1	n1	n2 nom	n2 min	M2	fB	i	FR	FA	FR (VL)	FA (VL)	Gearmotor
[kW]	[rpm]	[rpm]	[rpm]	[Nm]			[N]	[N]	[N]	[N]	
2.2	2100	29	4.1	737	0.9	73.64	6541	20000	12874	20000	SK 673.1 - 90T3/4
		32	4.5	660	1.0	65.95	8139	20000	13403	20000	
		35	5.0	605	1.1	60.45	8674	20000	13735	20000	
		38	5.4	551	1.2	55.12	9122	20000	14022	20000	
		42	6.1	495	1.3	49.50	9531	20000	14291	20000	
		47	6.7	449	1.4	44.85	9825	20000	14489	20000	
		51	7.2	416	1.5	41.54	10012	20000	14616	20000	
		56	8.1	372	1.7	37.23	10229	20000	14766	20000	
		62	8.8	341	1.8	34.12	10368	20000	14863	20000	
		68	9.7	309	1.7	30.92	10498	20000	14954	20000	
		76	11	276	1.9	27.61	10617	20000	15000	20000	
		83	12	252	2.0	25.19	10694	20000	15000	20000	
		92	13	228	2.0	22.82	10763	20000	15000	20000	
3.0	2100	182	26	158	1.2	11.55	1865	10200	5712	10200	SK 372.1 - 100T2/4
		204	29	140	1.4	10.28	2017	10026	5547	10026	
		223	32	128	1.5	9.40	2236	9858	5446	9858	
		255	36	112	1.6	8.22	2411	9555	5271	9555	
		290	41	98.6	1.7	7.23	2541	9261	5101	9261	
		305	44	94.0	1.8	6.89	2628	9170	5047	9170	
		319	46	89.8	1.8	6.58	2710	9087	4997	9087	
		353	50	81.2	2.0	5.95	2716	8831	4856	8831	
		401	57	71.5	2.2	5.24	2730	8524	4685	8524	
		450	64	63.6	2.2	4.66	2727	8245	4530	8246	
		502	72	57.1	2.3	4.18	2713	7854	4388	7853	
		556	79	51.5	2.3	3.78	2691	7477	4257	7477	
		613	88	46.7	2.4	3.43	2664	7147	4135	7148	
		672	96	42.6	2.3	3.12	2633	6854	4022	6854	
		735	105	39.0	2.3	2.86	2600	6589	3915	6589	
		800	114	35.8	2.5	2.62	2564	6348	3814	6348	
3.0	3000	130	13	220	0.9	23.00	830	10200	6098	10200	SK 372.1 - 90T3/4D
		145	15	197	1.0	20.62	1088	10200	5948	10200	
		163	16	176	1.1	18.40	1521	10200	5832	10200	
		182	18	158	1.2	16.50	1697	10200	5678	10200	
		206	21	139	1.4	14.57	2105	10042	5552	10042	
		231	23	124	1.6	12.96	2222	9750	5387	9750	
		260	26	110	1.7	11.55	2430	9516	5248	9516	
		292	29	98.2	1.9	10.28	2494	9227	5085	9227	
		319	32	89.8	2.1	9.40	2615	9044	4978	9044	
		365	36	78.5	2.3	8.22	2692	8737	4806	8737	
		415	41	69.0	2.5	7.23	2741	8444	4640	8445	
		435	44	65.8	2.6	6.89	2786	8349	4585	8350	
		456	46	62.8	2.5	6.58	2829	8262	4534	8263	
		504	50	56.8	2.8	5.95	2803	7888	4401	7888	

NORDBLOC.1 In-line gear motors

NORDBLOC.1 In-line gear motors

P1	n1	n2 nom	n2 min	M2	fB	i	FR	FA	FR (VL)	FA (VL)	Gearmotor
[kW]	[rpm]	[rpm]	[rpm]	[Nm]			[N]	[N]	[N]	[N]	
3.0	3000	116	12	248	0.8	25.94	220	10200	6205	10200	SK 373.1 - 90T3/4D
		128	13	224	0.9	23.41	515	10200	6068	10200	
		132	13	217	1.0	22.74	752	10200	6062	10200	
		146	15	196	1.1	20.52	991	10200	5920	10200	
		161	16	178	1.1	18.63	1183	10200	5785	10200	
3.0	2100	67	9.6	427	0.9	31.28	4901	15000	9157	15000	SK 572.1 - 100T2/4
		85	12	335	1.3	24.58	5393	15000	9768	15000	
		96	14	298	1.4	21.85	5569	15000	9967	15000	
		107	15	267	1.5	19.57	6183	15000	10112	15000	
		128	18	225	1.8	16.46	6313	15000	10282	15000	
		137	20	210	2.1	15.38	6250	15000	10334	15000	
		154	22	186	2.2	13.67	6249	15000	10408	15000	
		166	24	173	2.5	12.68	6365	15000	10446	15000	
		187	27	153	2.7	11.25	6387	15000	10497	15000	
		209	30	137	2.9	10.04	6378	15000	10535	15000	
3.0	3000	71	7.1	405	0.9	42.38	5111	15000	9321	15000	SK 572.1 - 90T3/4D
		84	8.4	340	1.1	35.65	5548	15000	9738	15000	
		96	9.6	299	1.2	31.28	5981	15000	9964	15000	
		104	10	276	1.4	28.91	6030	15000	10072	15000	
		111	11	258	1.6	27.00	5991	15000	10152	15000	
		122	12	235	1.8	24.58	6128	15000	10244	15000	
		137	14	209	2.0	21.85	6160	15000	10338	15000	
		153	15	187	2.1	19.57	6508	15000	10407	15000	
		182	18	157	2.5	16.46	6477	15000	10488	15000	
		195	20	147	2.9	15.38	6387	15000	10513	15000	
3.0	2100	55	7.9	519	0.9	38.02	3222	14500	8330	14500	SK 573.1 - 100T2/4
		60	8.6	475	0.9	34.80	3969	14500	8755	14500	
		68	9.7	422	1.0	30.93	4358	14500	9193	14500	
		78	11	365	1.2	26.77	5120	14500	9589	14500	
		88	13	325	1.3	23.79	5340	14500	9828	14500	
		99	14	291	1.5	21.32	5490	14500	10002	14500	
		109	16	262	1.6	19.22	5591	14500	10133	14500	
		121	17	238	1.8	17.42	5652	14500	10233	14500	

NORDBLOC.1 In-line gear motors

P1	n1	n2 nom	n2 min	M2	fB	i	FR	FA	FR (VL)	FA (VL)	Gearmotor
[kW]	[rpm]	[rpm]	[rpm]	[Nm]			[N]	[N]	[N]	[N]	
3.0	3000	54	5.4	533	0.8	55.80	3285	14500	8181	14500	SK 573.1 - 90T3/4D
		60	6.0	474	1.0	49.60	3767	14500	8765	14500	
		63	6.3	458	1.0	47.95	3952	14500	8903	14500	
		69	6.9	414	1.1	43.40	4441	14500	9250	14500	
		71	7.1	403	1.1	42.18	4566	14500	9335	14500	
		79	7.9	363	1.2	38.02	4976	14500	9602	14500	
		86	8.6	332	1.3	34.80	5419	14500	9785	14500	
		97	9.7	295	1.5	30.93	5590	14500	9980	14500	
		112	11	256	1.7	26.77	6005	14500	10161	14500	
		126	13	227	1.9	23.79	6065	14500	10272	14500	
		141	14	204	2.1	21.32	6087	14500	10354	14500	
		156	16	184	2.3	19.22	6081	14500	10416	14500	
		172	17	166	2.6	17.42	6054	14500	10464	14500	
3.0	2100	64	9.2	444	1.4	32.58	9850	20000	14506	20000	SK 672.1 - 100T2/4
		72	10	397	1.4	29.08	10110	20000	14684	20000	
		102	15	281	2.2	20.62	10599	20000	15000	20000	
		114	16	251	2.4	18.41	10697	20000	15000	20000	
		122	17	235	2.6	17.25	10743	20000	14950	20000	
		137	20	209	2.9	15.35	10812	20000	14447	20000	
3.0	3000	67	6.7	425	1.1	44.55	9958	20000	14579	20000	SK 672.1 - 90T3/4D
		84	8.4	341	1.6	35.75	10368	20000	14863	20000	
		92	9.2	311	2.0	32.58	10491	20000	14949	20000	
		103	10	278	2.0	29.08	10612	20000	15000	20000	
3.0	2100	38	5.4	752	0.9	55.12	6065	20000	12759	20000	SK 673.1 - 100T2/4
		42	6.1	675	0.9	49.50	7972	20000	13303	20000	
		47	6.7	612	1.0	44.85	8610	20000	13694	20000	
		51	7.2	567	1.1	41.54	9001	20000	13943	20000	
		56	8.1	508	1.3	37.23	9444	20000	14233	20000	
		62	8.8	466	1.3	34.12	9723	20000	14420	20000	
		68	9.7	422	1.3	30.92	9978	20000	14593	20000	
		76	11	377	1.4	27.61	10209	20000	14752	20000	
		83	12	344	1.5	25.19	10359	20000	14856	20000	
		92	13	311	1.4	22.82	10490	20000	14948	20000	

NORDBLOC.1 In-line gear motors

NORDBLOC.1 In-line gear motors

P1	n1	n2 nom	n2 min	M2	fB	i	FR	FA	FR (VL)	FA (VL)	Gearmotor
[kW]	[rpm]	[rpm]	[rpm]	[Nm]			[N]	[N]	[N]	[N]	
3.0	3000	36	3.6	799	0.8	83.70	4180	20000	12381	20000	SK 673.1 - 90T3/4D
		41	4.1	703	0.9	73.64	7448	20000	13114	20000	
		45	4.5	630	1.0	65.95	8441	20000	13589	20000	
		50	5.0	577	1.1	60.45	8913	20000	13887	20000	
		54	5.4	526	1.2	55.12	9312	20000	14146	20000	
		61	6.1	473	1.4	49.50	9678	20000	14390	20000	
		67	6.7	428	1.5	44.85	9942	20000	14569	20000	
		72	7.2	397	1.6	41.54	10110	20000	14684	20000	
		81	8.1	356	1.8	37.23	10306	20000	14820	20000	
		88	8.8	326	1.8	34.12	10433	20000	14908	20000	
		97	9.7	295	1.8	30.92	10550	20000	14990	20000	
		109	11	264	2.0	27.61	10658	20000	15000	20000	
		119	12	241	2.1	25.19	10728	20000	15000	20000	
		131	13	218	2.1	22.82	10791	20000	14592	20000	
4.0	3000	96	9.6	398	0.9	31.28	3958	15000	9367	15000	SK 572.1 - 100T2/4D
		122	12	313	1.4	24.58	4465	15000	9891	15000	
		137	14	278	1.5	21.85	4651	15000	10062	15000	
		153	15	249	1.6	19.57	5243	15000	10187	15000	
		182	18	210	1.9	16.46	5395	15000	10334	15000	
		195	20	196	2.2	15.38	5347	15000	10379	15000	
		220	22	174	2.4	13.67	5364	15000	10206	15000	
		237	24	161	2.7	12.68	5484	15000	10010	15000	
		267	27	143	2.9	11.25	5523	15000	9676	15000	
4.0	2100	85	12	447	1.0	24.58	3019	15000	8994	15000	SK 572.1 - 100T5/4
		96	14	397	1.1	21.85	3413	15000	9374	15000	
		107	15	356	1.1	19.57	4375	15000	9646	15000	
		128	18	299	1.3	16.46	4766	15000	9960	15000	
		137	20	280	1.5	15.38	4763	15000	10055	15000	
		154	22	249	1.6	13.67	4900	15000	10190	15000	
		166	24	231	1.9	12.68	5140	15000	10260	15000	
		187	27	205	2.0	11.25	5300	15000	10351	15000	
		209	30	183	2.2	10.04	5408	15000	10359	15000	
		235	34	162	2.3	8.92	5409	15000	10010	15000	
		258	37	148	2.4	8.15	5602	15000	9790	15000	
		280	40	136	2.6	7.49	5658	15000	9563	15000	
		333	48	115	2.8	6.30	5585	15000	9086	15000	
		357	51	107	2.8	5.88	5499	15000	8892	15000	
		401	57	95.1	2.8	5.23	5410	14862	8578	14862	
		448	64	85.2	2.9	4.69	5315	14144	8293	14144	
497	71	76.8	3.0	4.22	5219	13433	8031	13433			

NORDBLOC.1 In-line gear motors

P1	n1	n2 nom	n2 min	M2	fB	i	FR	FA	FR (VL)	FA (VL)	Gearmotor
[kW]	[rpm]	[rpm]	[rpm]	[Nm]			[N]	[N]	[N]	[N]	
4.0	3000	69	6.9	553	0.8	43.40	1442	14500	7960	14500	SK 573.1 - 100T2/4D
		79	7.9	484	0.9	38.02	2350	14500	8669	14500	
		86	8.6	443	1.0	34.80	3066	14500	9027	14500	
		97	9.7	394	1.1	30.93	3454	14500	9398	14500	
		112	11	341	1.3	26.77	4193	14500	9736	14500	
		126	13	303	1.4	23.79	4421	14500	9942	14500	
		141	14	271	1.6	21.32	4582	14500	10093	14500	
		156	16	245	1.8	19.22	4693	14500	10205	14500	
		172	17	222	1.9	17.42	4768	14500	10292	14500	
4.0	2100	78	11	487	0.9	26.77	2533	14500	8643	14500	SK 573.1 - 100T5/4
		88	13	433	1.0	23.79	2992	14500	9109	14500	
		99	14	388	1.1	21.32	3341	14500	9440	14500	
		109	16	350	1.2	19.22	3609	14500	9685	14500	
		121	17	317	1.4	17.42	3814	14500	9870	14500	
4.0	3000	92	9.2	415	1.5	32.58	10016	20000	14619	20000	SK 672.1 - 100T2/4D
		103	10	370	1.5	29.08	10239	20000	14773	20000	
		145	15	263	2.3	20.62	10661	20000	13930	20000	
		163	16	234	2.6	18.41	10746	20000	13471	20000	
		174	17	220	2.8	17.25	10786	20000	13233	20000	
4.0	2100	64	9.2	593	1.0	32.58	8782	20000	13803	20000	SK 672.1 - 100T5/4
		72	10	529	1.0	29.08	9294	20000	14134	20000	
		102	15	375	1.6	20.62	10216	20000	14757	20000	
		114	16	335	1.8	18.41	10396	20000	14882	20000	
		122	17	314	1.9	17.25	10481	20000	14645	20000	
		137	20	279	2.2	15.35	10606	20000	14175	20000	
		153	22	249	2.3	13.70	10702	20000	13711	20000	
		167	24	229	2.5	12.56	10762	20000	13373	20000	
		185	26	207	2.8	11.38	10818	20000	12983	20000	
4.0	3000	54	5.4	702	0.9	55.12	7481	20000	13123	20000	SK 673.1 - 100T2/4D
		61	6.1	630	1.0	49.50	8436	20000	13586	20000	
		67	6.7	571	1.1	44.85	8965	20000	13921	20000	
		72	7.2	529	1.2	41.54	9294	20000	14134	20000	
		81	8.1	474	1.4	37.23	9669	20000	14384	20000	
		88	8.8	434	1.4	34.12	9907	20000	14545	20000	
		97	9.7	394	1.3	30.92	10126	20000	14695	20000	
		109	11	351	1.5	27.61	10324	20000	14832	20000	
		119	12	321	1.6	25.19	10453	20000	14718	20000	
		131	13	291	1.5	22.82	10567	20000	14301	20000	

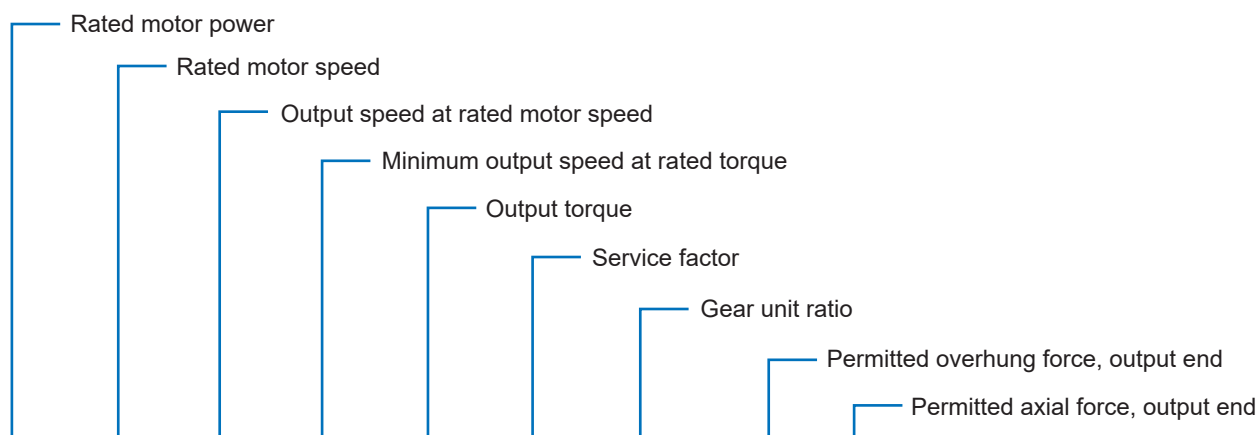
NORDBLOC.1 In-line gear motors

NORDBLOC.1 In-line gear motors

P1	n1	n2 nom	n2 min	M2	fB	i	FR	FA	FR (VL)	FA (VL)	Gearmotor
[kW]	[rpm]	[rpm]	[rpm]	[Nm]			[N]	[N]	[N]	[N]	
4.0	2100	51	7.2	756	0.8	41.54	5947	20000	12731	20000	SK 673.1 - 100T5/4
		56	8.1	677	0.9	37.23	7950	20000	13290	20000	
		62	8.8	621	1.0	34.12	8527	20000	13642	20000	
		68	9.7	562	0.9	30.92	9036	20000	13966	20000	
		76	11	502	1.0	27.61	9484	20000	14260	20000	
		83	12	458	1.1	25.19	9768	20000	14451	20000	
		92	13	415	1.1	22.82	10014	20000	14618	20000	
5.5	3000	122	12	430	1.0	24.58	1972	15000	9129	15000	SK 572.1 - 100T5/4D
		137	14	382	1.1	21.85	2387	15000	9455	15000	
		153	15	343	1.2	19.57	3345	15000	9726	15000	
		182	18	288	1.4	16.46	3770	15000	10015	15000	
		195	20	269	1.6	15.38	3786	15000	10103	15000	
		220	22	239	1.7	13.67	3948	15000	9887	15000	
		237	24	222	1.9	12.68	4197	15000	9719	15000	
		267	27	197	2.1	11.25	4381	15000	9417	15000	
		299	30	176	2.3	10.04	4513	15000	9132	15000	
		336	34	156	2.4	8.92	4540	15000	8828	15000	
		368	37	143	2.5	8.15	4745	14952	8640	14952	
		401	40	131	2.7	7.49	4818	14622	8444	14622	
		476	48	110	2.9	6.30	4782	13462	8026	13462	
		510	51	103	2.9	5.88	4713	13015	7856	13015	
574	57	91.6	2.9	5.23	4649	12331	7581	12331			
5.5	3000	92	9.2	570	1.1	32.58	8971	20000	13924	20000	SK 672.1 - 100T5/4D
		103	10	509	1.1	29.08	9436	20000	14228	20000	
		145	15	361	1.7	20.62	10281	20000	13551	20000	
		163	16	322	1.9	18.41	10447	20000	13127	20000	
		174	17	302	2.0	17.25	10525	20000	12915	20000	
		195	20	269	2.3	15.35	10641	20000	12507	20000	
		219	22	240	2.4	13.70	10730	20000	12100	20000	
		239	24	220	2.6	12.56	10785	20000	11806	20000	
		264	26	199	2.9	11.38	10837	20000	11466	20000	

NORDBLOC.1 In-line gear motors HM

NORDBLOC.1 In-line gear motors HM



P1	n1	n2 nom	n2 min	M2	fB	i	FR	FA	FR (VL)	FA (VL)	Gearmotor
[kW]	[rpm]	[rpm]	[rpm]	[Nm]			[N]	[N]	[N]	[N]	
0.75	2100	76	11	94.2	1.0	27.62	2800	3900			SK 172.1 - 80 T1/4 HM
		85	12	84.6	1.1	24.80	2800	3900			
		94	13	76.4	1.2	22.42	2800	3900			
		103	15	69.5	1.2	20.37	2800	3900			
		113	16	63.4	1.3	18.60	2800	3900			
		133	19	53.7	1.6	15.76	2800	3900			
		155	22	46.2	1.8	13.54	2800	3900			
		174	25	41.1	2.1	12.06	2800	3900			
		184	26	38.9	2.2	11.39	2800	3900			
		194	28	36.9	2.3	10.83	2800	3900			
		214	31	33.4	2.5	9.79	2800	3900			
		241	34	29.8	3.0	8.72	2800	3900			
		268	38	26.7	3.1	7.83	2800	3900			
		297	42	24.1	3.4	7.08	2800	3900			
		326	47	21.9	3.7	6.43	2800	3900			
		364	52	19.7	3.9	5.77	2800	3900			
		409	58	17.5	4.7	5.14	2800	3900			
		455	65	15.7	4.6	4.62	2800	3900			
		503	72	14.2	4.6	4.17	2800	3900			
		554	79	12.9	4.6	3.79	2800	3900			
607	87	11.8	4.6	3.46	2800	3900					
652	93	11.0	4.9	3.22	2800	3861					
773	110	9.3	5.0	2.72	2771	3568					

NORDBLOC.1 In-line gear motors HM

P1	n1	n2 nom	n2 min	M2	fB	i	FR	FA	FR (VL)	FA (VL)	Gearmotor
[kW]	[rpm]	[rpm]	[rpm]	[Nm]			[N]	[N]	[N]	[N]	
0.75	2100	49	6.9	148	1.2	43.26	5380	10200	7728	10500	SK 372.1 - 80 T1/4 HM
		55	7.9	130	1.4	38.12	5491	10200	7805	10500	
		62	8.9	115	1.6	33.84	5546	10200	7862	10500	
		70	10	103	1.8	30.11	5498	10200	7906	10500	
		81	12	88.2	2.2	25.85	5524	10200	7949	10500	
		91	13	78.4	2.5	23.00	5437	10200	7891	10500	
		102	15	70.3	2.7	20.62	5346	10200	7634	10500	
		114	16	62.8	3.2	18.40	5316	10200	7386	10500	
		127	18	56.3	3.4	16.50	5208	10200	7143	10500	
		144	21	49.7	3.8	14.57	5167	10200	6890	10500	
		162	23	44.2	4.5	12.96	5040	10200	6643	10500	
182	26	39.4	4.8	11.55	4954	10200	6416	10500			
0.75	2100	32	4.6	221	0.9	64.70	4718	10200	7282	10500	SK 373.1 - 80 T1/4 HM
		35	5.0	205	1.0	60.22	4887	10200	7392	10500	
		39	5.6	184	1.1	54.00	4996	10200	7530	10500	
		45	6.4	160	1.3	47.05	5191	10200	7663	10500	
		49	7.1	145	1.4	42.46	5212	10200	7740	10500	
		56	8.1	127	1.6	37.23	5312	10200	7818	10500	
		63	9.0	113	1.8	33.20	5489	10200	7870	10500	
		71	10	102	2.1	29.77	5442	10200	7910	10500	
		81	12	88.5	2.4	25.94	5429	10200	7948	10500	
		90	13	79.8	2.6	23.41	5355	10200	7914	10500	
		92	13	77.6	2.7	22.74	5390	10200	7856	10500	
		102	15	70.0	3.0	20.52	5304	10200	7615	10500	
		113	16	63.5	3.0	18.63	5214	10200	7392	10500	
0.75	2100	39	5.5	186	2.0	54.41	9961	15000	10410	15000	SK 572.1 - 80 T1/4 HM
		46	6.6	156	2.0	45.77	10021	15000	10490	15000	
		50	7.1	145	2.6	42.38	10041	15000	10518	15000	
		59	8.4	122	3.0	35.65	10078	15000	10566	15000	
		73	10	98.6	3.9	28.91	10108	15000	10606	15000	
		78	11	92.1	4.3	27.00	10115	15000	10616	15000	

NORDBLOC.1 In-line gear motors HM

NORDBLOC.1 In-line gear motors HM

P1	n1	n2 nom	n2 min	M2	fB	i	FR	FA	FR (VL)	FA (VL)	Gearmotor
[kW]	[rpm]	[rpm]	[rpm]	[Nm]			[N]	[N]	[N]	[N]	
0.75	2100	15	2.2	465	1.0	136.40	7273	14500	8840	14500	SK 573.1 - 80 T1/4 HM
		17	2.4	428	1.1	125.45	7833	14500	9148	14500	
		19	2.7	380	1.2	111.36	8527	14500	9494	14500	
		19	2.7	372	1.2	109.12	8634	14500	9544	14500	
		20	2.8	366	1.2	107.42	8784	14500	9581	14500	
		22	3.2	322	1.4	94.50	9380	14500	9841	14500	
		25	3.5	291	1.5	85.18	9657	14500	10004	14500	
		27	3.9	262	1.7	76.88	9753	14500	10133	14500	
		31	4.4	231	2.0	67.64	9848	14500	10260	14500	
		34	4.9	208	2.2	60.97	9908	14500	10340	14500	
		38	5.4	190	2.4	55.80	9950	14500	10396	14500	
		42	6.0	169	2.7	49.60	9995	14500	10457	14500	
		44	6.3	164	2.8	47.95	10007	14500	10472	14500	
		48	6.9	148	3.0	43.40	10035	14500	10510	14500	
		50	7.1	144	3.1	42.18	10043	14500	10520	14500	
		55	7.9	130	3.5	38.02	10066	14500	10550	14500	
60	8.6	119	3.7	34.80	10082	14500	10572	14500			
68	9.7	105	4.2	30.93	10099	14500	10595	14500			
78	11	91.3	4.7	26.77	10116	14500	10617	14500			
0.75	2100	37	5.3	193	2.1	56.65	10851	20000	15000	20000	SK 672.1 - 80 T1/4 HM
		47	6.7	152	3.0	44.55	10936	20000	15000	20000	
		59	8.4	122	4.5	35.75	10985	20000	15000	20000	
0.75	2100	9.5	1.4	751	0.9	220.32	6084	20000	12763	20000	SK 673.1 - 80 T1/4 HM
		9.6	1.4	747	0.9	219.00	6228	20000	12797	20000	
		12	1.6	620	1.0	181.88	8531	20000	13645	20000	
		13	1.9	551	1.2	161.45	9129	20000	14027	20000	
		14	2.0	501	1.3	146.88	9492	20000	14266	20000	
		15	2.1	489	1.3	143.30	9574	20000	14320	20000	
		16	2.2	459	1.4	134.64	9762	20000	14446	20000	
		16	2.3	445	1.4	130.55	9845	20000	14503	20000	
		17	2.4	421	1.5	123.33	9984	20000	14598	20000	
		18	2.6	395	1.6	115.89	10118	20000	14689	20000	
		20	2.9	353	1.8	103.48	10318	20000	14828	20000	
		22	3.2	324	2.0	94.86	10442	20000	14914	20000	
		25	3.6	285	2.2	83.70	10585	20000	15000	20000	
		29	4.1	251	2.5	73.64	10697	20000	15000	20000	
		32	4.5	225	2.8	65.95	10772	20000	15000	20000	
		35	5.0	206	3.1	60.45	10821	20000	15000	20000	
		38	5.4	188	3.4	55.12	10863	20000	15000	20000	
		42	6.1	169	3.8	49.50	10904	20000	15000	20000	
47	6.7	153	4.2	44.85	10934	20000	15000	20000			
51	7.2	142	4.5	41.54	10954	20000	15000	20000			

NORDBLOC.1 In-line gear motors HM

P1	n1	n2 nom	n2 min	M2	fB	i	FR	FA	FR (VL)	FA (VL)	Gearmotor
[kW]	[rpm]	[rpm]	[rpm]	[Nm]			[N]	[N]	[N]	[N]	
0.75	2100	6.8	1.0	1048	0.8	307.42	5370	12000	11862	25000	SK 773.1 - 80 T1/4 HM
		7.9	1.1	905	0.9	265.24	7175	12000	12802	25000	
		8.1	1.2	887	1.0	260.18	7292	12000	12870	25000	
		9.4	1.3	766	1.1	224.49	8665	12000	13604	25000	
		11	1.6	646	1.3	189.31	9970	12000	14304	25000	
		13	1.9	546	1.6	160.22	10858	12000	14793	25000	
		15	2.2	473	1.8	138.78	11565	12000	15178	25000	
		18	2.6	401	2.2	117.46	12145	12000	15500	25000	
		19	2.7	382	2.2	111.92	12338	12000	15603	25000	
		22	3.1	329	2.6	96.57	12183	12000	15834	25000	
		22	3.2	319	2.7	93.61	12082	12000	15878	25000	
		25	3.6	284	3.0	83.32	11710	12000	16027	25000	
		27	3.8	270	3.2	79.23	11533	12000	16074	24825	
		29	4.2	245	3.5	71.89	11243	12000	16189	24321	
		30	4.4	235	3.6	68.92	11112	12000	16230	24081	
		33	4.7	216	3.9	63.42	10855	12000	16307	23608	
36	5.2	197	4.3	57.64	10562	12000	16385	23067			
41	5.8	175	4.9	51.31	10214	12000	16469	22412			
1.1	2100	184	26	57.0	1.5	11.39	2800	3900			SK 172.1 - 90 T3/4 HM
		214	31	49.0	1.7	9.79	2800	3900			
		241	34	43.6	2.0	8.72	2800	3900			
		268	38	39.2	2.1	7.83	2800	3900			
		297	42	35.4	2.3	7.08	2800	3900			
		326	47	32.2	2.5	6.43	2800	3900			
		364	52	28.9	2.7	5.77	2800	3900			
		409	58	25.7	3.2	5.14	2800	3900			
		455	65	23.1	3.1	4.62	2800	3900			
		503	72	20.9	3.1	4.17	2800	3900			
		554	79	19.0	3.1	3.79	2800	3900			
		607	87	17.3	3.1	3.46	2800	3863			
		652	93	16.1	3.4	3.22	2800	3744			
		720	103	14.6	3.4	2.92	2771	3575			
		773	110	13.6	3.4	2.72	2715	3470			
		843	120	12.5	3.5	2.49	2639	3335			
906	129	11.6	3.7	2.32	2585	3240					

NORDBLOC.1 In-line gear motors HM

NORDBLOC.1 In-line gear motors HM

P1	n1	n2 nom	n2 min	M2	fB	i	FR	FA	FR (VL)	FA (VL)	Gearmotor
[kW]	[rpm]	[rpm]	[rpm]	[Nm]			[N]	[N]	[N]	[N]	
1.1	2100	62	8.9	169	1.1	33.84	4139	10200	7616	10500	SK 372.1 - 90 T3/4 HM
		70	10	151	1.2	30.11	4221	10200	7713	10500	
		81	12	129	1.5	25.85	4448	10200	7808	10500	
		91	13	115	1.7	23.00	4461	10200	7670	10500	
		102	15	103	1.8	20.62	4453	10200	7432	10500	
		114	16	92.0	2.2	18.40	4535	10200	7209	10500	
		127	18	82.5	2.3	16.50	4494	10200	6980	10500	
		144	21	72.9	2.6	14.57	4561	10200	6751	10500	
		162	23	64.8	3.1	12.96	4490	10200	6518	10500	
		182	26	57.8	3.3	11.55	4474	10200	6307	10500	
		204	29	51.4	3.7	10.28	4385	10200	6085	10500	
		223	32	47.0	4.0	9.40	4358	10200	5929	10500	
		255	36	41.1	4.4	8.22	4268	10200	5694	10409	
		290	41	36.2	4.7	7.23	4174	10010	5474	10011	
305	44	34.5	4.9	6.89	4153	9872	5396	9872			
319	46	32.9	4.9	6.58	4135	9742	5324	9743			
1.1	2100	45	6.4	235	0.9	47.05	3154	10200	7167	10500	SK 373.1 - 90 T3/4 HM
		49	7.1	212	0.9	42.46	3336	10200	7343	10500	
		56	8.1	186	1.1	37.23	3667	10200	7517	10500	
		63	9.0	166	1.2	33.20	4081	10200	7634	10500	
		71	10	149	1.4	29.77	4153	10200	7721	10500	
		81	12	130	1.6	25.94	4306	10200	7806	10500	
		90	13	117	1.8	23.41	4320	10200	7681	10500	
		92	13	114	1.8	22.74	4405	10200	7634	10500	
		102	15	103	2.0	20.52	4396	10200	7411	10500	
		113	16	93.2	2.0	18.63	4373	10200	7202	10500	
1.1	2100	39	5.5	272	1.4	54.41	9720	15000	10089	15000	SK 572.1 - 90 T3/4 HM
		46	6.6	229	1.4	45.77	9852	15000	10266	15000	
		50	7.1	212	1.7	42.38	9898	15000	10326	15000	
		59	8.4	178	2.1	35.65	9976	15000	10431	15000	
		67	9.6	156	2.4	31.28	10020	15000	10490	15000	
		73	10	145	2.6	28.91	10041	15000	10518	15000	
		78	11	135	3.0	27.00	10049	15000	10539	15000	
		85	12	123	3.5	24.58	9907	15000	10564	15000	
		96	14	109	3.8	21.85	9666	15000	10588	15000	
		107	15	97.9	4.1	19.57	9616	15000	10607	15000	
		128	18	82.3	4.9	16.46	9253	15000	10629	15000	

NORDBLOC.1 In-line gear motors HM

P1	n1	n2 nom	n2 min	M2	fB	i	FR	FA	FR (VL)	FA (VL)	Gearmotor
[kW]	[rpm]	[rpm]	[rpm]	[Nm]			[N]	[N]	[N]	[N]	
1.1	2100	19	2.7	557	0.8	111.36	5814	14500	7909	14500	SK 573.1 - 90 T3/4 HM
		19	2.7	546	0.8	109.12	5999	14500	8037	14500	
		20	2.8	537	0.8	107.42	6237	14500	8132	14500	
		22	3.2	473	1.0	94.50	7246	14500	8773	14500	
		25	3.5	426	1.1	85.18	7938	14500	9162	14500	
		27	3.9	385	1.2	76.88	8459	14500	9462	14500	
		31	4.4	338	1.3	67.64	9103	14500	9751	14500	
		34	4.9	305	1.5	60.97	9551	14500	9932	14500	
		38	5.4	279	1.6	55.80	9697	14500	10058	14500	
		42	6.0	248	1.8	49.60	9797	14500	10192	14500	
		44	6.3	240	1.9	47.95	9821	14500	10225	14500	
		48	6.9	217	2.1	43.40	9884	14500	10309	14500	
		50	7.1	211	2.1	42.18	9900	14500	10330	14500	
		55	7.9	190	2.4	38.02	9950	14500	10397	14500	
		60	8.6	174	2.5	34.80	9985	14500	10443	14500	
		68	9.7	155	2.8	30.93	10023	14500	10494	14500	
		78	11	134	3.2	26.77	10036	14500	10541	14500	
88	13	119	3.6	23.79	9803	14500	10571	14500			
99	14	107	4.0	21.32	9575	14500	10593	14500			
109	16	96.1	4.5	19.22	9355	14500	10610	14500			
121	17	87.1	4.9	17.42	9142	14500	10623	14500			
1.1	2100	37	5.3	283	1.4	56.65	10592	20000	15000	20000	SK 672.1 - 90 T3/4 HM
		47	6.7	223	2.0	44.55	10778	20000	15000	20000	
		59	8.4	179	3.1	35.75	10883	20000	15000	20000	
		64	9.2	163	3.7	32.58	10916	20000	15000	20000	
		72	10	145	3.8	29.08	10948	20000	15000	20000	

NORDBLOC.1 In-line gear motors HM

P1	n1	n2 nom	n2 min	M2	fB	i	FR	FA	FR (VL)	FA (VL)	Gearmotor
[kW]	[rpm]	[rpm]	[rpm]	[Nm]			[N]	[N]	[N]	[N]	
1.1	2100	14	2.0	735	0.9	146.88	6599	20000	12888	20000	SK 673.1 - 90 T3/4 HM
		16	2.2	673	1.0	134.64	7992	20000	13314	20000	
		17	2.4	617	1.0	123.33	8563	20000	13665	20000	
		18	2.6	580	1.1	115.89	8893	20000	13874	20000	
		20	2.9	518	1.2	103.48	9375	20000	14188	20000	
		22	3.2	474	1.3	94.86	9666	20000	14382	20000	
		25	3.6	419	1.5	83.70	9995	20000	14605	20000	
		29	4.1	368	1.7	73.64	10248	20000	14779	20000	
		32	4.5	330	1.9	65.95	10416	20000	14896	20000	
		35	5.0	302	2.1	60.45	10524	20000	14972	20000	
		38	5.4	276	2.3	55.12	10618	20000	15000	20000	
		42	6.1	248	2.6	49.50	10707	20000	15000	20000	
		47	6.7	224	2.9	44.85	10774	20000	15000	20000	
		51	7.2	208	3.1	41.54	10817	20000	15000	20000	
		56	8.1	186	3.4	37.23	10867	20000	15000	20000	
		62	8.8	171	3.5	34.12	10900	20000	15000	20000	
		68	9.7	155	3.4	30.92	10931	20000	15000	20000	
76	11	138	3.8	27.61	10960	20000	15000	20000			
83	12	126	4.0	25.19	10979	20000	15000	20000			
92	13	114	3.9	22.82	10995	20000	15000	20000			
1.1	2100	11	1.6	947	0.9	189.31	6665	12000	12534	25000	SK 773.1 - 90 T3/4 HM
		13	1.9	801	1.1	160.22	8274	12000	13393	25000	
		15	2.2	694	1.2	138.78	9484	12000	14040	25000	
		18	2.6	588	1.5	117.46	10472	12000	14583	25000	
		19	2.7	560	1.5	111.92	10787	12000	14750	25000	
		22	3.1	483	1.8	96.57	11480	12000	15131	24574	
		22	3.2	468	1.8	93.61	11518	12000	15202	24442	
		25	3.6	417	2.0	83.32	11208	12000	15443	23933	
		27	3.8	396	2.2	79.23	11048	12000	15519	23632	
		29	4.2	360	2.4	71.89	10809	12000	15702	23260	
		30	4.4	345	2.5	68.92	10696	12000	15767	23063	
		33	4.7	317	2.7	63.42	10472	12000	15887	22671	
		36	5.2	288	2.9	57.64	10216	12000	16010	22216	
		41	5.8	257	3.3	51.31	9906	12000	16142	21656	
		44	6.3	238	3.7	47.61	9694	12000	16207	21249	
		48	6.9	217	4.0	43.43	9454	12000	16294	20807	
		54	7.7	195	4.4	39.06	9192	12000	16390	20335	
59	8.4	179	4.6	35.77	8956	12000	16409	19877			

NORDBLOC.1 In-line gear motors HM

P1	n1	n2 nom	n2 min	M2	fB	i	FR	FA	FR (VL)	FA (VL)	Gearmotor
[kW]	[rpm]	[rpm]	[rpm]	[Nm]			[N]	[N]	[N]	[N]	
1.1	2100	5.3	0.8	1999	0.9	399.60	12624	20750	22294	30000	SK 873.1 - 90 T3/4 HM
		5.5	0.8	1918	0.9	383.39	13307	20750	22688	30000	
		6	0.9	1743	1.0	348.37	14590	20750	23463	30000	
		6.7	1.0	1577	1.1	315.19	15608	20750	24109	30000	
		7.4	1.1	1424	1.2	284.73	16405	20750	24633	30000	
		8.2	1.2	1289	1.3	257.61	17019	20750	25000	30000	
		9	1.3	1161	1.5	232.16	17523	20750	25000	30000	
		10	1.4	1055	1.6	210.95	17894	20750	25000	30000	
		11	1.6	955	1.8	190.86	18206	20750	25000	30000	
		13	1.8	827	2.1	165.42	18550	20750	25000	30000	
		14	2.0	752	2.3	150.31	18729	20750	25000	30000	
		15	2.2	680	2.5	135.99	18881	20750	25000	30000	
		16	2.4	638	2.7	127.52	18963	20750	25000	30000	
		18	2.6	580	2.9	115.88	19067	20750	25000	30000	
		20	2.9	524	3.2	104.84	19156	20750	25000	30000	
		21	3.0	505	3.4	101.02	19185	20750	25000	30000	
23	3.3	457	3.7	91.43	19252	20750	25000	30000			
25	3.6	416	4.1	83.08	19305	20750	25000	30000			
28	4.0	372	4.6	74.29	19355	20750	25000	30000			
1.1	2100	4.6	0.7	2285	1.4	456.77	24882	34000	30162	40000	SK 973.1 - 90 T3/4 HM
		5.1	0.7	2074	1.6	414.73	25285	34000	30378	40000	
		5.8	0.8	1815	1.8	362.89	25790	34000	30637	40000	
		6.5	0.9	1628	2.0	325.47	26118	34000	30806	40000	
		7.1	1.0	1478	2.2	295.5	26352	34000	30928	40000	
		8.1	1.2	1293	2.6	258.57	26656	34000	31078	40000	
		8.9	1.3	1174	2.8	234.77	26821	34000	31163	40000	
		11	1.5	988	3.3	197.50	27092	34000	31295	40000	
		12	1.7	897	3.7	179.32	27204	34000	31350	40000	
		12	1.7	868	3.5	173.58	27249	34000	31371	40000	
		13	1.9	788	3.8	157.60	27343	34000	31419	40000	
		16	2.3	663	5.0	132.45	27503	34000	31493	40000	

NORDBLOC.1 In-line gear motors HM

NORDBLOC.1 In-line gear motors HM

P1	n1	n2 nom	n2 min	M2	fB	i	FR	FA	FR (VL)	FA (VL)	Gearmotor
[kW]	[rpm]	[rpm]	[rpm]	[Nm]			[N]	[N]	[N]	[N]	
2.2	2100	182	26	116	1.6	11.55	2964	10200	5962	10500	SK 372.1 - 100 T5/4 HM
		204	29	103	1.8	10.28	3014	10200	5774	10486	
		223	32	94.0	2.0	9.40	3129	10200	5650	10270	
		255	36	82.3	2.2	8.22	3193	9915	5449	9915	
		290	41	72.3	2.4	7.23	3228	9576	5258	9576	
		305	44	68.9	2.5	6.89	3270	9466	5194	9465	
		319	46	65.8	2.4	6.58	3310	9363	5134	9362	
		353	50	59.5	2.7	5.95	3271	9086	4982	9085	
		401	57	52.4	3.1	5.24	3228	8753	4798	8753	
		450	64	46.7	3.0	4.66	3179	8453	4633	8453	
		502	72	41.8	3.1	4.18	3127	8102	4482	8101	
		556	79	37.8	3.2	3.78	3073	7697	4344	7697	
		613	88	34.3	3.2	3.43	3018	7345	4216	7346	
		672	96	31.2	3.2	3.12	2963	7034	4096	7034	
		735	105	28.6	3.1	2.86	2908	6754	3985	6754	
800	114	26.3	3.4	2.62	2854	6499	3880	6500			
2.2	2100	92	13	227	0.9	22.74	1311	10200	6931	10500	SK 373.1 - 100 T5/4 HM
		102	15	205	1.0	20.52	1544	10200	6766	10500	
		113	16	186	1.0	18.63	1730	10200	6606	10500	
2.2	2100	67	9.6	313	1.2	31.28	7213	15000	9891	15000	SK 572.1 - 100 T5/4 HM
		85	12	246	1.7	24.58	7294	15000	10201	15000	
		96	14	219	1.9	21.85	7294	15000	10304	15000	
		107	15	196	2.0	19.57	7628	15000	10379	15000	
		128	18	165	2.4	16.46	7551	15000	10469	15000	
		137	20	154	2.8	15.38	7438	15000	10496	15000	
		154	22	137	3.0	13.67	7328	15000	10535	15000	
		166	24	127	3.4	12.68	7345	15000	10556	15000	
		187	27	113	3.6	11.25	7256	15000	10583	15000	
		209	30	100	4.0	10.04	7155	15000	10603	15000	
		235	34	89.3	4.1	8.92	6994	15000	10369	15000	
		258	37	81.6	4.4	8.15	6982	15000	10104	15000	
		280	40	74.9	4.7	7.49	6903	15000	9847	15000	

NORDBLOC.1 In-line gear motors HM

P1	n1	n2 nom	n2 min	M2	fB	i	FR	FA	FR (VL)	FA (VL)	Gearmotor
[kW]	[rpm]	[rpm]	[rpm]	[Nm]			[N]	[N]	[N]	[N]	
2.2	2100	38	5.4	558	0.8	55.80	4590	14500	7894	14500	SK 573.1 - 100 T5/4 HM
		42	6.0	496	0.9	49.60	5051	14500	8555	14500	
		48	6.9	434	1.0	43.40	5709	14500	9098	14500	
		55	7.9	380	1.2	38.02	6223	14500	9490	14500	
		60	8.6	348	1.3	34.80	6660	14500	9693	14500	
		68	9.7	309	1.4	30.93	6801	14500	9909	14500	
		78	11	268	1.6	26.77	7190	14500	10109	14500	
		88	13	238	1.8	23.79	7219	14500	10232	14500	
		99	14	213	2.0	21.32	7210	14500	10322	14500	
		109	16	192	2.2	19.22	7175	14500	10390	14500	
		121	17	174	2.5	17.42	7121	14500	10443	14500	
2.2	2100	64	9.2	326	1.9	32.58	10432	20000	14908	20000	SK 672.1 - 100 T5/4 HM
		72	10	291	1.9	29.08	10566	20000	15000	20000	
		80	11	262	2.3	26.23	10662	20000	15000	20000	
		90	13	234	2.6	23.41	10746	20000	15000	20000	
		102	15	206	3.0	20.62	10820	20000	15000	20000	
		114	16	184	3.3	18.41	10872	20000	15000	20000	
		122	17	173	3.5	17.25	10896	20000	15000	20000	
		137	20	154	4.0	15.35	10933	20000	14664	20000	
		153	22	137	4.2	13.70	10961	20000	14153	20000	
		167	24	126	4.5	12.56	10979	20000	13778	20000	
2.2	2100	38	5.4	551	1.2	55.12	9122	20000	14022	20000	SK 673.1 - 100 T5/4 HM
		42	6.1	495	1.3	49.50	9531	20000	14291	20000	
		47	6.7	449	1.4	44.85	9825	20000	14489	20000	
		51	7.2	416	1.5	41.54	10012	20000	14616	20000	
		56	8.1	372	1.7	37.23	10229	20000	14766	20000	
		62	8.8	341	1.8	34.12	10368	20000	14863	20000	
		68	9.7	309	1.7	30.92	10498	20000	14954	20000	
		76	11	276	1.9	27.61	10617	20000	15000	20000	
		83	12	252	2.0	25.19	10694	20000	15000	20000	
				92	13	228	2.0	22.82	10763	20000	
2.2	2100	78	11	269	3.1	26.86	7790	10822	14309	17333	SK 772.1 - 100 T5/4 HM
		86	12	244	3.4	24.41	7595	10621	14009	16969	
		103	15	203	4.0	20.31	7248	10313	13491	16342	
		114	16	185	4.2	18.46	7058	10094	13188	15975	
		126	18	167	4.6	16.66	6865	9885	12884	15606	
		134	19	156	4.9	15.62	6735	9714	12669	15346	

NORDBLOC.1 In-line gear motors HM

NORDBLOC.1 In-line gear motors HM

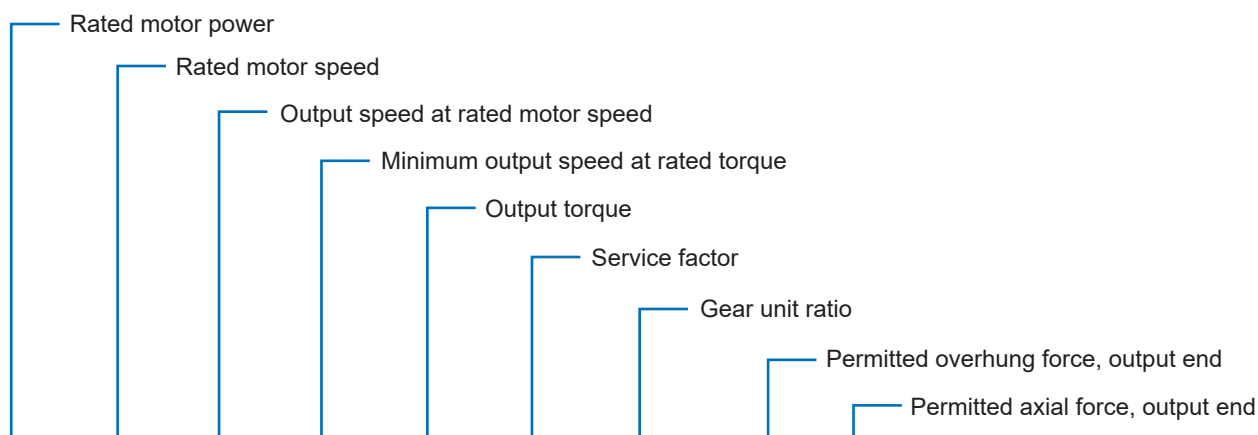
P1	n1	n2 nom	n2 min	M2	fB	i	FR	FA	FR (VL)	FA (VL)	Gearmotor
[kW]	[rpm]	[rpm]	[rpm]	[Nm]			[N]	[N]	[N]	[N]	
2.2	2100	22	3.1	966	0.9	96.57	6429	10521	12411	20090	SK 773.1 - 100 T5/4 HM
		22	3.2	936	0.9	93.61	6793	10627	12601	20095	
		25	3.6	834	1.0	83.32	7995	10956	13238	20062	
		27	3.8	793	1.1	79.23	8371	10883	13445	19876	
		29	4.2	719	1.2	71.89	9228	11242	13901	19920	
		30	4.4	690	1.2	68.92	9393	11299	14066	19861	
		33	4.7	634	1.3	63.42	9273	11385	14363	19723	
		36	5.2	577	1.5	57.64	9124	11442	14664	19537	
		41	5.8	513	1.7	51.31	8934	11459	14982	19271	
		44	6.3	476	1.8	47.61	8777	11331	15142	18992	
		48	6.9	434	2.0	43.43	8619	11295	15342	18749	
		54	7.7	391	2.2	39.06	8452	11313	15289	18520	
		59	8.4	358	2.3	35.77	8268	11138	15010	18182	
		66	9.4	318	2.6	31.83	8053	11001	14706	17815	
		73	10	286	2.9	28.63	7871	10920	14463	17520	
		83	12	254	3.2	25.39	7641	10723	14123	17107	
87	12	242	3.1	24.23	7538	10584	13950	16898			
98	14	215	3.5	21.49	7311	10368	13604	16479			
2.2	2100	49	7.0	427	3.3	42.67	15885	18000	25000	30000	SK 872.1 - 100 T5/4 HM
		54	7.7	388	3.4	38.77	15452	18000	25000	30000	
		60	8.6	351	3.4	35.08	15016	18000	25000	30000	
2.2	2100	13	1.8	1655	1.0	165.42	15149	20750	23815	30000	SK 873.1 - 100 T5/4 HM
		14	2.0	1504	1.1	150.31	16004	20750	24368	30000	
		15	2.2	1360	1.2	135.99	16704	20750	24833	30000	
		16	2.4	1276	1.3	127.52	17073	20750	25000	30000	
		18	2.6	1159	1.5	115.88	17531	20750	25000	30000	
		20	2.9	1049	1.6	104.84	17914	20750	25000	30000	
		21	3.0	1011	1.7	101.02	18037	20750	25000	30000	
		23	3.3	915	1.9	91.43	18320	20750	25000	30000	
		25	3.6	831	2.0	83.08	18541	20750	25000	30000	
		28	4.0	743	2.3	74.29	18396	20750	25000	30000	
		31	4.4	675	2.5	67.50	17934	20750	25000	30000	
		34	4.9	611	2.8	61.07	17471	20750	25000	30000	
		38	5.4	554	3.1	55.35	17027	20750	25000	30000	
		42	6.0	503	3.4	50.32	16604	20750	25000	30000	
		46	6.6	455	3.7	45.53	16153	20750	25000	30000	
		53	7.6	397	4.3	39.68	15549	20750	25000	30000	
59	8.4	356	4.8	35.63	15088	20750	25000	30000			

NORDBLOC.1 In-line gear motors HM

P1	n1	n2 nom	n2 min	M2	fB	i	FR	FA	FR (VL)	FA (VL)	Gearmotor
[kW]	[rpm]	[rpm]	[rpm]	[Nm]			[N]	[N]	[N]	[N]	
2.2	2100	6.5	0.9	3256	1.0	325.47	22570	34000	28933	40000	SK 973.1 - 100 T5/4 HM
		7.1	1.0	2956	1.1	295.5	23324	34000	29340	40000	
		8.1	1.2	2587	1.3	258.57	24228	34000	29816	40000	
		8.9	1.3	2349	1.4	234.77	24727	34000	30084	40000	
		11	1.5	1976	1.7	197.50	25494	34000	30483	40000	
		12	1.7	1794	1.8	179.32	25812	34000	30652	40000	
		12	1.7	1737	1.7	173.58	25930	34000	30710	40000	
		13	1.9	1577	1.9	157.60	26189	34000	30845	40000	
		16	2.3	1325	2.5	132.45	26608	34000	31054	40000	
		17	2.5	1203	2.7	120.26	26779	34000	31142	40000	
		20	2.9	1053	3.0	105.23	27003	34000	31251	40000	
		22	3.2	950	3.5	94.96	27143	34000	31319	40000	
		24	3.5	863	3.8	86.22	27249	34000	31372	40000	
		27	3.9	772	4.3	77.16	27371	34000	31432	40000	
		28	4.0	755	4.4	75.44	27392	34000	31441	40000	
31	4.4	685	4.8	68.50	27469	34000	31479	40000			
32	4.5	660	4.8	65.98	27505	34000	31495	40000			

UNICASE In-line gear motors

UNICASE In-line gear motors



P1	n1	n2 nom	n2 min	M2	fB	i	FR	FA	FR (VL)	FA (VL)	Gearmotor
[kW]	[rpm]	[rpm]	[rpm]	[Nm]			[N]	[N]	[N]	[N]	
1.1	2100	132	19	79.8	0.9	15.95	1394	3275	2710	3947	SK 02 - 80T1/4
		164	23	64.1	1.1	12.82	1693	3275	2610	3789	
		187	27	56.2	1.2	11.27	1794	3271	2559	3706	
		211	30	49.7	1.3	9.95	1756	3208	2505	3623	
		226	32	46.4	1.4	9.28	1723	3145	2456	3550	
		256	37	41.0	1.5	8.19	1682	3078	2399	3463	
		269	38	39.0	1.6	7.80	1656	3026	2359	3404	
		305	44	34.5	1.8	6.89	1614	2955	2301	3316	
		343	49	30.6	1.9	6.10	1587	2918	2266	3263	
		377	54	27.9	2.0	5.57	1540	2826	2196	3159	
		436	62	24.1	2.4	4.82	1474	2656	2101	3020	
		495	71	21.2	2.5	4.22	1442	2558	2057	2955	
		539	77	19.5	2.7	3.89	1400	2440	1997	2866	
1.1	2100	55	7.8	192	1.0	38.31		3900	4681	5870	SK 12 - 80T1/4
		67	9.6	156	1.1	31.19	277	3900	4821	5702	
		81	12	130	1.1	25.92	789	3900	4903	5528	
		99	14	106	1.6	21.28	1965	3900	4963	5498	
		112	16	94.0	1.7	18.79	2220	3900	4989	5379	
		125	18	83.7	1.8	16.73	2234	3900	5009	5263	
		157	22	67.0	2.2	13.39	2131	3900	5036	5006	
		197	28	53.4	2.5	10.70	2045	3822	5053	4788	
		218	31	48.3	2.8	9.65	1989	3717	5059	4661	
1.1	2100	38	5.4	276	1.2	55.28	2918	5600	7053	8729	SK 22 - 80T1/4
		46	6.5	230	1.3	45.90	3621	5600	7189	8449	
		49	7.0	214	1.6	42.82	4173	5600	7228	8406	
		59	8.4	178	1.9	35.55	4153	5600	7308	8100	
		72	10	147	2.0	29.31	3985	5600	7365	7773	
		85	12	123	2.0	24.73	3828	5600	7400	7471	

P1	n1	n2 nom	n2 min	M2	fB	i	FR	FA	FR (VL)	FA (VL)	Gearmotor
[kW]	[rpm]	[rpm]	[rpm]	[Nm]			[N]	[N]	[N]	[N]	
1.1	2100	26	3.7	407	1.3	81.27	6139	9000	9184	12313	SK 32 - 80T1/4
		29	4.1	364	1.5	72.76	6015	9000	9238	12052	
		33	4.7	321	2.0	64.26	5905	9000	9285	11821	
		37	5.2	288	2.1	57.53	5769	9000	9318	11546	
		45	6.5	232	2.3	46.31	5484	9000	9365	10986	
		54	7.7	194	2.3	38.76	5254	9000	9390	10539	
		64	9.1	165	2.3	33.05	5044	9000	9407	10136	
1.1	2100	13	1.8	832	0.8	166.49		9000	6048	13216	SK 33N - 80T1/4
		16	2.2	670	1.0	134.02		9000	8710	12863	
		19	2.7	561	1.0	112.18	6157	9000	8937	12555	
		24	3.4	442	1.2	88.18	6074	9000	9136	12216	
1.1	2100	7.5	1.1	1393	0.9	278.51		12000		13104	SK 43 - 80T1/4
		8.0	1.1	1321	1.0	263.93		12000		13159	
		9.1	1.3	1157	1.0	231.43		12000		13126	
		9.6	1.4	1097	1.1	219.32		12000		13140	
		10	1.5	1023	1.3	204.42		12000		13233	
		11	1.6	915	1.1	182.76		12000		12924	
		12	1.8	849	1.4	169.86		12000	5717	13054	
		15	2.1	708	1.5	141.55		12000	11650	12734	
		16	2.3	647	1.9	129.38	4194	18933	11650	12810	
		20	2.8	537	2.1	107.51	9155	18309	11650	12456	
		22	3.2	475	2.6	94.96	8971	17972	11650	12274	
1.1	2100	5.4	0.8	1962	0.9	392.2	11425	40000	17814	40000	SK 53 - 80T1/4
		5.6	0.8	1873	1.0	374.25	11706	40000	17995	40000	
		7.1	1.0	1472	1.5	294.26	12748	40000	18690	40000	
		8.5	1.2	1229	1.5	245.56	13227	40000	19019	40000	
		8.9	1.3	1183	1.6	236.21	13305	40000	19074	40000	
		11	1.6	930	2.0	185.72	13682	40000	19339	40000	
		12	1.7	888	2.2	177.22	13736	40000	19377	40000	
1.5	3000	188	19	76.2	0.9	15.95	967	2978	2346	3424	SK 02 - 80T1/4D
		234	23	61.2	1.1	12.82	1279	2888	2268	3297	
		267	27	53.7	1.2	11.27	1481	2844	2228	3233	
		302	30	47.4	1.3	9.95	1532	2795	2186	3165	
		324	32	44.3	1.5	9.28	1504	2741	2144	3102	
		366	37	39.1	1.6	8.19	1471	2687	2098	3031	
		385	38	37.2	1.7	7.80	1448	2613	2063	2980	
		435	44	32.9	1.9	6.89	1414	2502	2015	2906	
		491	49	29.2	2.0	6.10	1393	2440	1989	2865	
		539	54	26.6	2.1	5.57	1351	2323	1927	2775	
		622	62	23.0	2.5	4.82	1294	2175	1844	2653	
		707	71	20.2	2.6	4.22	1268	2114	1809	2601	
		770	77	18.6	2.8	3.89	1232	2025	1756	2522	

UNICASE In-line gear motors

P1	n1	n2 nom	n2 min	M2	fB	i	FR	FA	FR (VL)	FA (VL)	Gearmotor
[kW]	[rpm]	[rpm]	[rpm]	[Nm]			[N]	[N]	[N]	[N]	
1.5	2100	164	23	87.4	0.8	12.82	467	2953	2340	3428	SK 02 - 90T1/4
		187	27	76.7	0.9	11.27	814	2940	2321	3390	
		211	30	67.8	0.9	9.95	1087	2916	2295	3343	
		226	32	63.2	1.0	9.28	1096	2863	2254	3280	
		256	37	55.9	1.1	8.19	1314	2828	2220	3224	
		269	38	53.2	1.2	7.80	1279	2780	2184	3169	
		305	44	47.0	1.3	6.89	1456	2737	2146	3109	
		343	49	41.7	1.4	6.10	1498	2738	2137	3090	
		377	54	38.0	1.5	5.57	1453	2631	2070	2992	
		436	62	32.9	1.7	4.82	1395	2448	1984	2864	
		495	71	28.9	1.8	4.22	1376	2392	1962	2827	
		539	77	26.6	2.0	3.89	1336	2281	1902	2740	
		619	88	23.1	2.2	3.38	1296	2179	1846	2656	
		708	101	20.2	2.3	2.95	1257	2083	1791	2574	
1.5	3000	78	7.8	183	1.0	38.31		3645	4718	5168	SK 12 - 80T1/4D
		96	9.6	149	1.1	31.19		3634	4844	5033	
		116	12	124	1.1	25.92	300	3584	4919	4889	
		141	14	102	1.6	21.28	1450	3714	4974	4882	
		160	16	89.8	1.8	18.79	1711	3667	4998	4783	
		179	18	79.9	1.9	16.73	1913	3612	5016	4684	
		224	22	64.0	2.3	13.39	1862	3459	5040	4461	
		281	28	51.0	2.6	10.70	1792	3347	5056	4273	
		311	31	46.1	2.9	9.65	1745	3256	5061	4161	
		1.5	2100	99	14	145	1.2	21.28	361	3775	
112	16			128	1.3	18.79	802	3769	4907	5052	
125	18			114	1.3	16.73	1153	3748	4944	4972	
157	22			91.4	1.6	13.39	1529	3631	4995	4764	
197	28			72.9	1.8	10.70	1918	3564	5027	4602	
218	31			65.8	2.1	9.65	1872	3476	5038	4486	
246	35			58.3	2.2	8.56	1830	3406	5048	4377	
267	38			53.6	2.4	7.85	1790	3328	5053	4281	
288	41			49.7	2.5	7.28	1773	3306	5057	4231	
321	46			44.6	2.8	6.53	1714	3190	5063	4096	
1.5	3000			54	5.4	264	1.2	55.28	1900	5600	7092
		65	6.5	219	1.3	45.90	2624	5600	7216	7491	
		70	7.0	204	1.7	42.82	3169	5600	7251	7460	
		84	8.4	170	1.9	35.55	3621	5600	7324	7199	
		102	10	140	2.1	29.31	3482	5600	7375	6916	
		122	12	118	2.1	24.73	3350	5600	7407	6655	

UNICASE In-line gear motors

P1	n1	n2 nom	n2 min	M2	fB	i	FR	FA	FR (VL)	FA (VL)	Gearmotor
[kW]	[rpm]	[rpm]	[rpm]	[Nm]			[N]	[N]	[N]	[N]	
1.5	2100	38	5.4	377	0.8	55.28		5600	6660	7960	SK 22 - 90T1/4
		46	6.5	313	0.9	45.90	394	5600	6926	7792	
		49	7.0	292	1.2	42.82	1250	5600	7001	7810	
		59	8.4	242	1.4	35.55	2103	5600	7154	7591	
		61	8.7	236	1.4	34.69	2503	5600	7171	7619	
		72	10	200	1.5	29.31	2749	5600	7261	7336	
		73	10	196	1.9	28.80	3104	5600	7269	7371	
		85	12	168	1.5	24.73	3165	5600	7327	7092	
		88	13	162	2.0	23.74	3542	5600	7338	7097	
		105	15	136	2.1	20.03	3443	5600	7381	6841	
		125	18	114	3.0	16.75	3380	5600	7412	6706	
1.5	3000	37	3.7	388	1.3	81.27	5337	9000	9208	10926	SK 32 - 80T1/4D
		41	4.1	347	1.6	72.76	5239	9000	9257	10706	
		47	4.7	307	2.1	64.26	5153	9000	9300	10513	
		52	5.2	274	2.2	57.53	5041	9000	9330	10277	
		65	6.5	221	2.4	46.31	4801	9000	9372	9788	
		77	7.7	185	2.4	38.76	4607	9000	9395	9398	
		91	9.1	158	2.4	33.05	4428	9000	9410	9044	
1.5	2100	26	3.7	554	0.9	81.27	5520	9000	8950	11423	SK 32 - 90T1/4
		29	4.1	496	1.1	72.76	5456	9000	9052	11245	
		33	4.7	438	1.5	64.26	5416	9000	9141	11117	
		37	5.2	392	1.6	57.53	5326	9000	9203	10908	
		45	6.5	316	1.7	46.31	5115	9000	9291	10448	
		45	6.5	315	2.1	46.25	5161	9000	9291	10535	
		54	7.7	264	1.7	38.76	4937	9000	9339	10074	
		56	8.1	254	2.3	37.23	4930	9000	9347	10053	
		64	9.1	225	1.7	33.05	4766	9000	9369	9727	
		67	9.6	213	2.4	31.16	4740	9000	9378	9667	
		79	11	181	2.4	26.57	4563	9000	9398	9314	
1.5	2100	20	2.9	717	1.2	105.08		12000	11650	11640	SK 42 - 90T1/4
		25	3.5	580	1.4	85.10	8211	16410	11650	11309	
		28	4.0	511	2.1	74.87	8080	16191	11650	11196	
		35	4.9	414	2.4	60.66	7733	15503	11650	10782	

UNICASE In-line gear motors

P1	n1	n2 nom	n2 min	M2	fB	i	FR	FA	FR (VL)	FA (VL)	Gearmotor
[kW]	[rpm]	[rpm]	[rpm]	[Nm]			[N]	[N]	[N]	[N]	
1.5	3000	11	1.1	1330	1.0	278.51		12000		11366	SK 43 - 80T1/4D
		11	1.1	1261	1.0	263.93		12000		11436	
		13	1.3	1104	1.0	231.43		12000		11450	
		14	1.4	1047	1.1	219.32		12000		11480	
		15	1.5	976	1.3	204.42		12000		11592	
		16	1.6	873	1.2	182.76		12000	2989	11331	
		18	1.8	811	1.4	169.86		12000	8180	11477	
		21	2.1	676	1.6	141.55		12000	11650	11224	
		23	2.3	617	2.0	129.38	6750	16458	11650	11321	
		28	2.8	513	2.2	107.51	7989	15956	11650	11032	
		32	3.2	453	2.7	94.96	7843	15699	11650	10890	
1.5	2100	9.6	1.4	1496	0.8	219.32		12000		11020	SK 43 - 90T1/4
		10	1.5	1395	0.9	204.42		12000		11291	
		11	1.6	1247	0.8	182.76		12000		11092	
		12	1.8	1158	1.0	169.86		12000		11413	
		15	2.1	966	1.1	141.55		12000		11316	
		16	2.3	882	1.4	129.38		12000	4196	11583	
		20	2.8	732	1.5	107.51		12000	11650	11419	
		22	3.2	647	1.9	94.96	4128	16554	11650	11373	
		26	3.7	546	2.3	79.96	8098	16178	11650	11167	
		30	4.3	478	2.6	70.12	7920	15844	11650	10975	
		36	5.2	397	2.9	58.27	7626	15269	11650	10632	
1.5	2100	24	3.5	593	2.9	86.92	14034	40000	19589	40000	SK 52 - 90T1/4
		27	3.8	536	3.0	78.56	14077	40000	19620	40000	
1.5	3000	6.0	0.6	2384	0.8	498.82	9786	40000	16809	40000	SK 53 - 80T1/4D
		7.6	0.8	1873	1.0	392.20	11706	40000	17995	40000	
		8.0	0.8	1788	1.1	374.25	11956	40000	18159	40000	
		10	1.0	1405	1.6	294.26	12890	40000	18787	40000	
		12	1.2	1173	1.6	245.56	13323	40000	19086	40000	
		13	1.3	1130	1.7	236.21	13394	40000	19136	40000	
		16	1.6	888	2.1	185.72	13736	40000	19377	40000	
		17	1.7	847	2.3	177.22	13784	40000	19411	40000	
1.5	2100	7.1	1.0	2007	1.1	294.26	11277	40000	17719	40000	SK 53 - 90T1/4
		8.5	1.2	1676	1.1	245.56	12260	40000	18360	40000	
		8.9	1.3	1614	1.2	236.21	12417	40000	18466	40000	
		11	1.6	1268	1.4	185.72	13157	40000	18971	40000	
		12	1.7	1210	1.6	177.22	13259	40000	19042	40000	
		15	2.2	951	2.3	139.34	13655	40000	19320	40000	

UNICASE In-line gear motors

P1	n1	n2 nom	n2 min	M2	fB	i	FR	FA	FR (VL)	FA (VL)	Gearmotor
[kW]	[rpm]	[rpm]	[rpm]	[Nm]			[N]	[N]	[N]	[N]	
1.5	2100	5.6	0.8	2542	1.3	372.21	17831	28239	26412	45000	SK 63 - 90T1/4
		7.0	1.0	2053	1.6	300.34	18754	27400	27044	45000	
		7.9	1.1	1811	2.0	265.32	19123	26849	27301	45000	
		9.8	1.4	1462	2.5	214.10	19565	25834	27613	45000	
2.2	3000	267	27	78.7	0.9	11.27	163	2438	1937	2845	SK 02 - 90T1/4D
		302	30	69.6	0.9	9.95	470	2424	1929	2823	
		324	32	64.9	1.0	9.28	495	2347	1896	2771	
		366	37	57.4	1.1	8.19	744	2292	1879	2739	
		385	38	54.6	1.2	7.80	718	2229	1848	2692	
		435	44	48.3	1.3	6.89	923	2174	1825	2652	
		491	49	42.8	1.3	6.10	1261	2173	1830	2654	
		539	54	39.0	1.5	5.57	1197	2070	1773	2569	
		622	62	33.8	1.7	4.82	1173	1946	1701	2461	
		707	71	29.7	1.8	4.22	1188	1930	1693	2444	
		770	77	27.3	1.9	3.89	1153	1846	1640	2367	
		884	88	23.8	2.1	3.38	1122	1780	1597	2301	
1011	101	20.8	2.2	2.95	1090	1716	1553	2235			
2.2	2100	269	38	78.0	0.8	7.80		2350	1877	2758	SK 02 - 90T3/4
		305	44	68.9	0.9	6.89	213	2320	1874	2745	
		343	49	61.2	0.9	6.10	739	2363	1911	2789	
		377	54	55.7	1.0	5.57	681	2238	1851	2698	
		436	62	48.2	1.2	4.82	695	2097	1780	2589	
		495	71	42.4	1.2	4.22	1100	2112	1795	2604	
		539	77	39.0	1.4	3.89	1012	2010	1737	2518	
		619	88	33.9	1.5	3.38	1168	1948	1703	2463	
708	101	29.7	1.5	2.95	1171	1886	1665	2405			
2.2	3000	141	14	149	1.1	21.28		3085	4844	4429	SK 12 - 90T1/4D
		160	16	132	1.2	18.79		3110	4897	4382	
		179	18	117	1.3	16.73	366	3118	4936	4327	
		224	22	93.8	1.6	13.39	813	3049	4990	4165	
		281	28	74.8	1.8	10.70	1399	3030	5024	4046	
		311	31	67.6	2.0	9.65	1439	2961	5035	3947	
		351	35	59.8	2.2	8.56	1571	2861	5046	3859	
		382	38	55.0	2.4	7.85	1538	2755	5052	3775	
		412	41	51.0	2.4	7.28	1528	2721	5056	3739	
		459	46	45.8	2.8	6.53	1478	2574	5061	3620	

UNICASE In-line gear motors

P1	n1	n2 nom	n2 min	M2	fB	i	FR	FA	FR (VL)	FA (VL)	Gearmotor
[kW]	[rpm]	[rpm]	[rpm]	[Nm]			[N]	[N]	[N]	[N]	
2.2	2100	112	16	188	0.9	18.79		2975	4695	4479	SK 12 - 90T3/4
		125	18	167	0.9	16.73		3041	4778	4462	
		157	22	134	1.1	13.39		3045	4890	4341	
		197	28	107	1.3	10.70	638	3113	4962	4277	
		218	31	96.6	1.4	9.65	741	3053	4984	4181	
		246	35	85.5	1.5	8.56	1022	3031	5006	4107	
		267	38	78.6	1.7	7.85	1063	2973	5018	4023	
		288	41	72.9	1.7	7.28	1321	2987	5027	4001	
		321	46	65.4	1.9	6.53	1267	2859	5038	3874	
		363	52	57.9	2.1	5.79	1443	2761	5048	3790	
		426	61	49.4	2.4	4.93	1498	2634	5058	3675	
		468	67	44.9	2.6	4.49	1451	2499	5062	3565	
		488	70	43.1	2.6	4.32	1461	2528	5064	3575	
		528	75	39.8	2.9	3.98	1419	2414	5067	3479	
2.2	3000	54	5.4	387	0.8	55.28		5395	6612	6783	SK 22 - 90T1/4D
		65	6.5	321	0.9	45.90		5437	6894	6685	
		70	7.0	300	1.1	42.82		5558	6974	6731	
		84	8.4	249	1.3	35.55	566	5508	7136	6576	
		87	8.7	243	1.4	34.69	991	5579	7153	6615	
		102	10	205	1.4	29.31	1329	5403	7249	6383	
		104	10	202	1.9	28.80	1703	5473	7257	6426	
		122	12	173	1.4	24.73	1839	5275	7318	6190	
		126	13	166	2.0	23.74	2243	5326	7330	6208	
		150	15	140	2.0	20.03	2592	5169	7376	5999	
		179	18	117	2.9	16.75	2915	5171	7408	5913	
		2.2	2100	59	8.4	356	0.9	35.55		5364	
61	8.7			347	1.0	34.69		5486	6792	6775	
72	10			294	1.0	29.31		5371	6995	6575	
73	10			288	1.3	28.80		5485	7014	6650	
85	12			247	1.0	24.73		5319	7142	6428	
88	13			238	1.4	23.74	511	5419	7167	6481	
105	15			200	1.4	20.03	1159	5317	7261	6303	
125	18			167	2.0	16.75	2641	5440	7328	6297	
143	20			147	2.3	14.69	3030	5351	7365	6162	
172	25			122	2.7	12.20	2921	5169	7402	5930	
193	28			109	2.9	10.89	2862	5074	7418	5806	

P1	n1	n2 nom	n2 min	M2	fB	i	FR	FA	FR (VL)	FA (VL)	Gearmotor
[kW]	[rpm]	[rpm]	[rpm]	[Nm]			[N]	[N]	[N]	[N]	
2.2	3000	37	3.7	569	0.9	81.27	4189	9000	8922	9836	SK 32 - 90T1/4D
		41	4.1	509	1.1	72.76	4553	9000	9030	9716	
		47	4.7	450	1.4	64.26	4554	9000	9123	9651	
		52	5.2	403	1.5	57.53	4499	9000	9190	9495	
		65	6.5	324	1.6	46.31	4349	9000	9282	9129	
		65	6.5	324	2.1	46.25	4398	9000	9282	9219	
		77	7.7	271	1.6	38.76	4218	8777	9332	8828	
		81	8.1	261	2.3	37.23	4223	8804	9342	8825	
		91	9.1	231	1.6	33.05	4088	8506	9365	8543	
		96	9.6	218	2.3	31.16	4076	8498	9374	8506	
		99	9.9	213	3.0	30.43	4126	8635	9378	8594	
113	11	186	2.3	26.57	3935	8204	9395	8211			
2.2	2100	33	4.7	643	1.0	64.26	2894	9000	8771	9886	SK 32 - 90T3/4
		37	5.2	575	1.1	57.53	3922	9000	8911	9791	
		45	6.5	463	1.2	46.31	4468	9000	9104	9506	
		45	6.5	462	1.5	46.25	4538	9000	9105	9636	
		54	7.7	388	1.2	38.76	4382	9000	9209	9261	
		56	8.1	372	1.6	37.23	4410	9000	9228	9296	
		64	9.1	330	1.2	33.05	4281	8871	9276	9011	
		67	9.6	312	1.6	31.16	4294	8921	9295	9013	
		69	9.9	305	2.1	30.43	4378	9000	9302	9160	
		77	11	273	2.2	27.24	4293	8967	9331	8968	
		79	11	265	1.6	26.57	4173	8670	9338	8738	
		91	13	231	2.7	23.12	4188	8761	9365	8729	
2.2	3000	29	2.9	736	1.2	105.08		12000	11650	10001	SK 42 - 90T1/4D
		35	3.5	596	1.3	85.10	6984	13921	11650	9781	
		40	4.0	524	2.1	74.87	6910	13818	11650	9734	
		49	4.9	425	2.4	60.66	6648	13303	11650	9417	
2.2	2100	20	2.9	1051	0.8	105.08		12000		9974	SK 42 - 90T3/4
		25	3.5	851	0.9	85.10		12000	6780	9924	
		28	4.0	749	1.4	74.87		12000	11650	10009	
		35	4.9	607	1.7	60.66	6999	13946	11650	9795	
2.2	3000	15	1.5	1432	0.9	204.42		12000		9212	SK 43 - 90T1/4D
		18	1.8	1189	1.0	169.86		12000		9466	
		21	2.1	992	1.1	141.55		12000		9485	
		23	2.3	905	1.4	129.38		12000	2671	9817	
		28	2.8	752	1.5	107.51		12000	11650	9761	
		32	3.2	665	1.9	94.96	2605	13960	11650	9786	
		37	3.7	560	2.2	79.96	6898	13743	11650	9669	
		43	4.3	491	2.6	70.12	6775	13523	11650	9541	
		52	5.2	408	2.9	58.27	6555	13099	11650	9282	

UNICASE In-line gear motors

P1	n1	n2 nom	n2 min	M2	fB	i	FR	FA	FR (VL)	FA (VL)	Gearmotor
[kW]	[rpm]	[rpm]	[rpm]	[Nm]			[N]	[N]	[N]	[N]	
2.2	2100	16	2.3	1293	1.0	129.38		12000		9434	SK 43 - 90T3/4
		20	2.8	1074	1.0	107.51		12000		9602	
		22	3.2	949	1.3	94.96		12000		9796	
		26	3.7	800	1.5	79.96		12000	9358	9838	
		30	4.3	701	1.8	70.12		12000	11650	9810	
		36	5.2	582	2.0	58.27	6900	13722	11650	9647	
		43	6.2	486	2.2	48.56	6685	13304	11650	9391	
		51	7.3	409	2.5	40.98	6581	13161	11650	9325	
2.2	3000	35	3.5	608	2.8	86.92	14021	36523	19580	40000	SK 52 - 90T1/4D
		38	3.8	550	2.9	78.56	14067	35469	19613	40000	
2.2	2100	24	3.5	869	2.0	86.92	13758	40000	19393	40000	SK 52 - 90T3/4
		27	3.8	786	2.0	78.56	13853	39114	19460	40000	
		29	4.2	715	2.2	71.39	13925	38092	19512	40000	
2.2	3000	10	1.0	2060	1.1	294.26	11093	40000	17602	40000	SK 53 - 90T1/4D
		12	1.2	1721	1.1	245.56	12142	40000	18281	40000	
		13	1.3	1657	1.2	236.21	12309	40000	18393	40000	
		16	1.6	1302	1.4	185.72	13094	40000	18927	40000	
		17	1.7	1243	1.5	177.22	13203	40000	19003	40000	
		22	2.2	976	2.3	139.34	13621	40000	19295	40000	
2.2	2100	8.9	1.3	2367	0.8	236.21	9864	40000	16855	40000	SK 53 - 90T3/4
		11	1.6	1860	1.0	185.72	11746	40000	18021	40000	
		12	1.7	1775	1.1	177.22	11992	40000	18182	40000	
		15	2.2	1395	1.6	139.34	12911	40000	18801	40000	
		20	2.8	1058	2.1	105.87	13504	40000	19214	40000	
		22	3.1	955	2.3	95.49	13650	40000	19316	40000	
		26	3.8	797	2.3	79.69	13840	38861	19451	40000	
		32	4.6	653	2.9	65.35	13983	37169	19553	40000	
2.2	3000	8.0	0.8	2610	1.2	372.21	17683	24470	26313	45000	SK 63 - 90T1/4D
		10	1.0	2107	1.5	300.34	18662	23892	26981	45000	
		11	1.1	1860	2.0	265.32	19053	23483	27252	45000	
		14	1.4	1501	2.4	214.10	19521	22694	27582	45000	
2.2	2100	5.6	0.8	3729	0.9	372.21	14365	24955	24208	45000	SK 63 - 90T3/4
		7.0	1.0	3010	1.1	300.34	16702	24750	25664	45000	
		7.9	1.1	2657	1.4	265.32	17579	24510	26243	45000	
		9.8	1.4	2145	1.7	214.10	18598	23947	26936	45000	

P1	n1	n2 nom	n2 min	M2	fB	i	FR	FA	FR (VL)	FA (VL)	Gearmotor
[kW]	[rpm]	[rpm]	[rpm]	[Nm]			[N]	[N]	[N]	[N]	
3	2100	157	22	183	0.8	13.39		2375	4718	3857	SK 12 - 100T2/4
		197	28	146	0.9	10.70		2597	4854	3905	
		218	31	132	1.0	9.65		2571	4897	3833	
		246	35	117	1.1	8.56		2595	4938	3798	
		267	38	107	1.2	7.85		2514	4961	3729	
		288	41	99.4	1.2	7.28	179	2556	4978	3738	
		321	46	89.1	1.4	6.53	163	2412	4999	3620	
		363	52	78.9	1.5	5.79	466	2376	5017	3565	
		426	61	67.3	1.7	4.93	792	2316	5036	3484	
		468	67	61.3	1.9	4.49	707	2195	5044	3376	
		488	70	58.8	1.9	4.32	1015	2257	5047	3407	
		528	75	54.3	2.1	3.98	910	2149	4960	3311	
		619	88	46.3	2.4	3.39	1124	2083	4817	3220	
		709	101	40.4	2.6	2.96	1253	2022	4689	3138	
3	3000	141	14	203	0.8	21.28		2365	4628	3911	SK 12 - 90T3/4D
		160	16	180	0.9	18.79		2475	4731	3924	
		179	18	160	1.0	16.73		2552	4806	3919	
		224	22	128	1.2	13.39		2581	4908	3826	
		281	28	102	1.3	10.70	271	2624	4973	3786	
		311	31	92.2	1.5	9.65	381	2531	4993	3704	
		351	35	81.6	1.6	8.56	662	2483	5013	3643	
		382	38	75.0	1.7	7.85	710	2403	5024	3569	
		412	41	69.6	1.8	7.28	964	2410	5032	3554	
		459	46	62.4	2.0	6.53	922	2284	5042	3441	
		519	52	55.2	2.2	5.79	1102	2229	5042	3370	
		608	61	47.1	2.5	4.93	1290	2152	4889	3273	
		668	67	42.9	2.8	4.49	1208	2049	4746	3175	
		696	70	41.1	2.7	4.32	1277	2083	4755	3186	

UNICASE In-line gear motors

P1	n1	n2 nom	n2 min	M2	fB	i	FR	FA	FR (VL)	FA (VL)	Gearmotor
[kW]	[rpm]	[rpm]	[rpm]	[Nm]			[N]	[N]	[N]	[N]	
3	2100	73	10	393	1.0	28.80		4317	6583	5824	SK 22 - 100T2/4
		88	13	324	1.0	23.74		4424	6883	5775	
		105	15	273	1.0	20.03		4451	7064	5687	
		125	18	228	1.5	16.75	354	4779	7192	5832	
		143	20	200	1.7	14.69	1031	4772	7261	5753	
		172	25	166	2.0	12.20	1605	4675	7331	5581	
		193	28	149	2.1	10.89	1989	4632	7362	5493	
		248	35	115	2.2	8.48	2315	4406	7410	5200	
		277	40	103	2.4	7.57	2463	4340	7425	5101	
		306	44	93.5	2.7	6.86	2437	4296	7436	5036	
		323	46	88.8	2.6	6.51	2398	4173	7441	4958	
		364	52	78.7	2.7	5.79	2342	4003	7450	4840	
		405	58	70.7	2.2	5.18	2248	3740	7456	4658	
		453	65	63.2	2.4	4.62	2198	3611	7462	4553	
		527	75	54.4	2.6	3.97	2128	3441	7468	4410	
595	85	48.2	2.7	3.53	2070	3309	7297	4293			
3	3000	70	7.0	409	0.8	42.82		4376	6504	5897	SK 22 - 90T3/4D
		84	8.4	339	1.0	35.55		4499	6823	5862	
		87	8.7	331	1.0	34.69		4621	6857	5939	
		102	10	280	1.0	29.31		4543	7040	5774	
		104	10	275	1.4	28.80		4656	7057	5848	
		122	12	236	1.0	24.73		4527	7173	5658	
		126	13	227	1.4	23.74		4629	7196	5714	
		150	15	191	1.5	20.03	475	4562	7281	5568	
		179	18	160	2.1	16.75	1926	4709	7342	5586	
		204	20	140	2.4	14.69	2327	4646	7375	5474	
		246	25	116	2.8	12.2	2548	4499	7409	5275	
		3	2100	45	6.5	631	1.1	46.25	1473	7895	
56	8.1			508	1.2	37.23	2617	7869	9032	8431	
67	9.6			425	1.2	31.16	3407	7806	9159	8265	
69	9.9			415	1.5	30.43	3913	8141	9172	8494	
77	11			372	1.6	27.24	3873	8058	9229	8363	
79	11			362	1.2	26.57	3727	7691	9240	8080	
91	13			315	2.0	23.12	3836	8001	9291	8223	
102	15			282	2.3	20.70	3774	7872	9323	8066	
113	16			254	2.5	18.67	3723	7772	9347	7936	
126	18			227	2.3	16.66	3626	7558	9368	7720	
129	18			221	2.9	16.25	3656	7644	9372	7770	
140	20			205	2.5	15.03	3567	7441	9383	7583	

P1	n1	n2 nom	n2 min	M2	fB	i	FR	FA	FR (VL)	FA (VL)	Gearmotor
[kW]	[rpm]	[rpm]	[rpm]	[Nm]			[N]	[N]	[N]	[N]	
3	3000	47	4.7	614	1.0	64.26	1920	8002	8833	8666	SK 32 - 90T3/4D
		52	5.2	549	1.1	57.53	2612	8026	8960	8601	
		65	6.5	442	1.2	46.31	3516	7923	9135	8376	
		65	6.5	441	1.5	46.25	3899	8095	9136	8500	
		77	7.7	370	1.2	38.76	3774	7806	9230	8178	
		81	8.1	355	1.7	37.23	3807	7898	9248	8220	
		91	9.1	315	1.2	33.05	3700	7653	9291	7970	
		96	9.6	298	1.7	31.16	3719	7717	9309	7983	
		99	9.9	291	2.2	30.43	3802	7935	9315	8128	
		110	11	260	2.3	27.24	3735	7795	9342	7965	
		113	11	253	1.7	26.57	3624	7519	9348	7750	
		130	13	221	2.9	23.12	3654	7640	9372	7764	
3	2100	28	4.0	1021	1.1	74.87		12000		8651	SK 42 - 100T2/4
		35	4.9	827	1.2	60.66		12000	8292	8666	
		41	5.9	696	1.6	50.98	1370	12305	11650	8779	
		51	7.3	563	2.1	41.29	6044	12032	11650	8612	
		60	8.5	481	2.6	35.25	5909	11772	11650	8450	
		69	9.8	416	2.6	30.46	5849	11705	11650	8421	
		72	10	399	2.6	29.29	5737	11445	11650	8245	
		85	12	337	2.6	24.67	5616	11245	11650	8127	
		86	12	333	2.6	24.41	5531	11038	11650	7983	
3	3000	29	2.9	1003	0.9	105.08		12000		8668	SK 42 - 90T3/4D
		35	3.5	813	1.0	85.10		12000	9196	8672	
		40	4.0	715	1.5	74.87		12000	11650	8784	
		49	4.9	579	1.7	60.66	6060	12058	11650	8627	
3	2100	22	3.2	1295	1.0	94.96		11236		7993	SK 43 - 100T2/4
		26	3.7	1091	1.1	79.96		11696		8318	
		30	4.3	956	1.3	70.12		11915		8478	
		36	5.2	794	1.5	58.27		11956	9227	8522	
		43	6.2	662	1.6	48.56	1047	11780	11650	8419	
		51	7.3	558	1.9	40.98	6005	11938	11650	8548	
3	3000	23	2.3	1234	1.0	129.38		11386		8098	SK 43 - 90T3/4D
		28	2.8	1025	1.1	107.51		11678		8308	
		32	3.2	906	1.4	94.96		11976	2603	8524	
		37	3.7	764	1.6	79.96		12000	11611	8605	
		43	4.3	669	1.9	70.12	2178	12055	11650	8609	
		52	5.2	556	2.1	58.27	5974	11860	11650	8495	
		62	6.2	464	2.3	48.56	5806	11532	11650	8288	
		73	7.3	391	2.7	40.98	5738	11461	11650	8259	

UNICASE In-line gear motors

P1	n1	n2 nom	n2 min	M2	fB	i	FR	FA	FR (VL)	FA (VL)	Gearmotor
[kW]	[rpm]	[rpm]	[rpm]	[Nm]			[N]	[N]	[N]	[N]	
3	2100	24	3.5	1185	1.5	86.92	13303	38664	19072	40000	SK 52 - 100T2/4
		27	3.8	1071	1.5	78.56	13485	37688	19200	40000	
		29	4.2	975	1.6	71.39	13623	36777	19297	40000	
		35	5.0	812	2.3	59.54	13824	35233	19440	40000	
		39	5.6	734	2.6	53.81	13907	34274	19498	39884	
		43	6.1	668	2.9	48.90	13970	33387	19543	38898	
		58	8.3	491	2.8	36.03	14108	30764	19643	35926	
		65	9.2	444	2.8	32.56	14138	29871	19664	34946	
3	3000	35	3.5	830	2.1	86.92	13804	35431	19425	40000	SK 52 - 90T3/4D
		38	3.8	750	2.1	78.56	13890	34470	19487	40000	
		42	4.2	682	2.3	71.39	13956	33580	19534	39117	
3	2100	15	2.2	1902	1.2	139.34	11617	40000	17937	40000	SK 53 - 100T2/4
		20	2.8	1443	1.5	105.87	12810	39845	18732	40000	
		22	3.1	1302	1.7	95.49	13094	38991	18928	40000	
		26	3.8	1087	1.7	79.69	13461	37265	19183	40000	
		32	4.6	891	2.2	65.35	13731	35969	19374	40000	
		36	5.1	804	2.4	58.94	13833	35043	19446	40000	
3	3000	13	1.3	2259	0.8	236.21	10332	40000	17133	40000	SK 53 - 90T3/4D
		16	1.6	1775	1.0	185.72	11992	40000	18182	40000	
		17	1.7	1694	1.1	177.22	12212	40000	18328	40000	
		22	2.2	1331	1.7	139.34	13037	39179	18888	40000	
		28	2.8	1010	2.2	105.87	13574	36820	19263	40000	
		31	3.1	911	2.4	95.49	13706	35923	19356	40000	
		38	3.8	761	2.4	79.69	13879	34213	19479	39974	
3	2100	7.9	1.1	3623	1.0	265.32	14765	21837	24447	45000	SK 63 - 100T2/4
		9.8	1.4	2925	1.2	214.10	16928	21787	25811	45000	
		12	1.7	2467	1.5	180.57	17988	21567	26519	45000	
		14	2.1	1992	1.9	145.71	18851	21116	27112	45000	
		19	2.8	1474	2.5	107.89	19552	20251	27604	43747	
		24	3.4	1190	2.7	87.06	19840	19523	27808	41683	
3	3000	8.0	0.8	3559	0.9	372.21	14996	21844	24587	45000	SK 63 - 90T3/4D
		10	1.0	2874	1.1	300.34	17059	21771	25898	45000	
		11	1.1	2536	1.4	265.32	17844	21612	26421	45000	
		14	1.4	2047	1.8	214.10	18762	21183	27050	45000	

P1	n1	n2 nom	n2 min	M2	fB	i	FR	FA	FR (VL)	FA (VL)	Gearmotor
[kW]	[rpm]	[rpm]	[rpm]	[Nm]			[N]	[N]	[N]	[N]	
4	3000	224	22	171	0.9	13.39		1851	4767	3402	SK 12 - 100T2/4D
		281	28	136	1.0	10.70		2057	4884	3460	
		311	31	123	1.1	9.65		2013	4922	3398	
		351	35	109	1.2	8.56		2033	4957	3373	
		382	38	100	1.3	7.85		1983	4977	3312	
		412	41	92.8	1.3	7.28		2035	4992	3324	
		459	46	83.2	1.5	6.53		1933	4843	3219	
		519	52	73.7	1.7	5.79	248	1923	4767	3174	
		608	61	62.8	1.8	4.93	561	1896	4655	3105	
		668	67	57.2	2.1	4.49	488	1803	4515	3009	
		696	70	54.8	2.0	4.32	777	1863	4551	3039	
		754	75	50.6	2.3	3.98	684	1778	4426	2953	
		885	88	43.2	2.5	3.39	892	1736	4302	2874	
		1013	101	37.7	2.8	2.96	1033	1695	4191	2804	
4	2100	246	35	155	0.8	8.56		1916	4822	3413	SK 12 - 100T5/4
		267	38	143	0.9	7.85		1882	4864	3362	
		288	41	133	0.9	7.28		1991	4895	3409	
		321	46	119	1.1	6.53		1886	4932	3302	
		363	52	105	1.2	5.79		1918	4959	3284	
		426	61	89.7	1.3	4.93		1934	4886	3244	
		468	67	81.7	1.4	4.49		1828	4735	3140	
		488	70	78.4	1.4	4.32	106	1930	4807	3198	
		528	75	72.3	1.6	3.98		1829	4669	3102	
		619	88	61.7	1.8	3.39	347	1815	4568	3041	
		709	101	53.9	1.9	2.96	589	1791	4472	2982	
		4	3000	104	10	367	1.0	28.80		3634	
126	13			303	1.1	23.74		3758	6964	5097	
150	15			255	1.1	20.03		3805	7119	5030	
179	18			213	1.6	16.75		4130	7230	5179	
204	20			187	1.8	14.69	574	4139	7290	5116	
246	25			155	2.1	12.2	1133	4067	7351	4969	
275	28			139	2.3	10.89	1505	3992	7377	4894	
354	35			108	2.4	8.48	1837	3642	7420	4639	
396	40			96.4	2.6	7.57	2079	3542	7433	4553	
438	44			87.3	2.9	6.86	2139	3491	7442	4498	
461	46			82.9	2.8	6.51	2105	3404	7446	4429	
520	52			73.5	2.9	5.79	2059	3293	7371	4326	
579	58			66.0	2.4	5.18	1976	3092	7100	4162	
647	65			59.0	2.5	4.62	1933	3003	6938	4070	
753	75			50.7	2.7	3.97	1873	2881	6713	3944	
849	85			45.0	2.9	3.53	1824	2785	6532	3841	

UNICASE In-line gear motors

P1	n1	n2 nom	n2 min	M2	fB	i	FR	FA	FR (VL)	FA (VL)	Gearmotor
[kW]	[rpm]	[rpm]	[rpm]	[Nm]			[N]	[N]	[N]	[N]	
4	2100	125	18	305	1.1	16.75		3953	6957	5249	SK 22 - 100T5/4
		143	20	267	1.3	14.69		4049	7083	5243	
		172	25	222	1.5	12.20		4058	7209	5145	
		193	28	198	1.6	10.89	73	4080	7265	5103	
		248	35	154	1.7	8.48	715	3940	7353	4875	
		277	40	138	1.8	7.57	1130	3853	7379	4809	
		306	44	125	2.0	6.86	1635	3830	7398	4782	
		323	46	118	1.9	6.51	1596	3725	7407	4708	
		364	52	105	2.0	5.79	1899	3618	7423	4619	
		405	58	94.2	1.7	5.18	1619	3368	7435	4433	
		453	65	84.3	1.8	4.62	1865	3284	7445	4353	
		527	75	72.5	1.9	3.97	2010	3167	7236	4237	
		595	85	64.2	2.0	3.53	1966	3071	7062	4140	
		751	107	50.9	2.3	2.79	1874	2883	6717	3946	
4	3000	65	6.5	588	1.1	46.25	658	6748	8884	7602	SK 32 - 100T2/4D
		81	8.1	474	1.2	37.23	1776	6766	9087	7463	
		96	9.6	397	1.3	31.16	2550	6741	9197	7329	
		99	9.9	388	1.6	30.43	3396	7058	9209	7545	
		110	11	347	1.7	27.24	3367	7001	9257	7435	
		113	11	338	1.3	26.57	3074	6662	9267	7174	
		130	13	294	2.1	23.12	3346	6975	9312	7322	
		145	15	263	2.5	20.70	3297	6872	9340	7187	
		161	16	237	2.7	18.67	3257	6795	9360	7076	
		180	18	212	2.5	16.66	3174	6503	9378	6886	
		200	20	191	2.7	15.03	3126	6308	9392	6768	
4	2100	69	9.9	554	1.2	30.43	1348	6890	8951	7661	SK 32 - 100T5/4
		77	11	496	1.2	27.24	1988	6924	9053	7607	
		91	13	420	1.5	23.12	3131	7051	9166	7591	
		102	15	376	1.8	20.70	3376	7010	9223	7492	
		113	16	339	1.9	18.67	3364	6995	9266	7418	
		126	18	303	1.8	16.66	3293	6835	9304	7236	
		129	18	295	2.2	16.25	3347	6977	9311	7326	
		140	20	273	1.9	15.03	3268	6789	9331	7147	
		145	21	264	2.5	14.55	3298	6874	9339	7191	
4	3000	40	4.0	953	1.1	74.87		10440	1112	7596	SK 42 - 100T2/4D
		49	4.9	772	1.3	60.66		10501	11650	7640	
		59	5.9	649	1.7	50.98	5379	10678	11650	7768	
		73	7.3	526	2.3	41.29	5270	10476	11650	7638	
		85	8.5	449	2.7	35.25	5162	10272	11650	7505	
		98	9.8	388	2.8	30.46	5123	10244	11650	7495	
		102	10	373	2.7	29.29	5023	10010	11650	7335	
		122	12	314	2.8	24.67	4928	9862	11650	7242	
		123	12	311	2.8	24.41	4850	9670	11650	7109	

P1	n1	n2 nom	n2 min	M2	fB	i	FR	FA	FR (VL)	FA (VL)	Gearmotor
[kW]	[rpm]	[rpm]	[rpm]	[Nm]			[N]	[N]	[N]	[N]	
4	2100	35	4.9	1103	0.9	60.66		9945		7255	SK 42 - 100T5/4
		41	5.9	927	1.2	50.98		10481	2779	7624	
		51	7.3	751	1.6	41.29		10518	11650	7652	
		60	8.5	641	1.9	35.25	4662	10454	11650	7614	
		69	9.8	554	1.9	30.46	5332	10613	11650	7731	
		72	10	533	1.9	29.29	5215	10334	11650	7538	
		85	12	449	2.0	24.67	5189	10341	11650	7553	
		86	12	444	1.9	24.41	5083	10081	11650	7372	
		96	14	397	2.8	21.87	5141	10276	11650	7516	
4	3000	28	2.8	1367	0.8	107.51		8824		6494	SK 43 - 100T2/4D
		32	3.2	1208	1.0	94.96		9493		6947	
		37	3.7	1019	1.2	79.96		9977		7275	
		43	4.3	893	1.4	70.12		10223	3496	7444	
		52	5.2	741	1.6	58.27		10314	11650	7510	
		62	6.2	618	1.7	48.56	5023	10200	11650	7437	
		73	7.3	521	2.0	40.98	5234	10390	11650	7579	
4	2100	26	3.7	1455	0.8	79.96		8705		6418	SK 43 - 100T5/4
		30	4.3	1275	1.0	70.12		9296		6814	
		36	5.2	1059	1.1	58.27		9746		7115	
		43	6.2	883	1.2	48.56		9875	2321	7202	
		51	7.3	744	1.4	40.98		10409	11650	7577	
4	3000	35	3.5	1106	1.6	86.92	13431	34067	19162	40000	SK 52 - 100T2/4D
		38	3.8	1000	1.6	78.56	13588	33219	19273	39247	
		42	4.2	910	1.7	71.39	13708	32430	19357	38325	
		50	5.0	758	2.5	59.54	13882	31102	19481	36705	
		56	5.6	685	2.8	53.81	13954	30266	19532	35749	
4	2100	24	3.5	1580	1.1	86.92	12499	36719	18521	40000	SK 52 - 100T5/4
		27	3.8	1428	1.1	78.56	12841	35906	18753	40000	
		29	4.2	1300	1.2	71.39	13098	35133	18930	40000	
		35	5.0	1082	1.7	59.54	13468	33899	19188	40000	
		39	5.6	978	2.0	53.81	13618	33051	19294	39043	
		43	6.1	890	2.2	48.90	13732	32262	19374	38121	
		55	7.8	700	2.4	38.45	13940	30200	19522	35773	
		58	8.3	655	2.1	36.03	13981	29956	19552	35371	
		65	9.2	592	2.1	32.56	14034	29130	19590	34437	
		65	9.3	584	2.4	32.09	13928	28732	19594	34106	

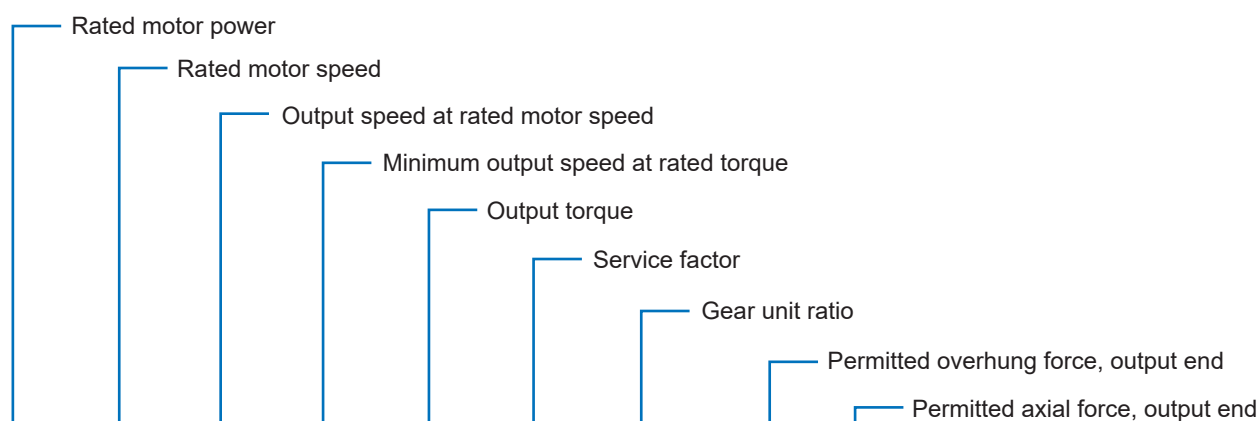
UNICASE In-line gear motors

P1	n1	n2 nom	n2 min	M2	fB	i	FR	FA	FR (VL)	FA (VL)	Gearmotor
[kW]	[rpm]	[rpm]	[rpm]	[Nm]			[N]	[N]	[N]	[N]	
4	3000	17	1.7	2259	0.8	177.22	10332	38719	17133	40000	SK 53 - 100T2/4D
		22	2.2	1775	1.3	139.34	11992	36815	18182	40000	
		28	2.8	1347	1.7	105.87	13008	35030	18868	40000	
		31	3.1	1215	1.8	95.49	13252	34304	19037	40000	
		38	3.8	1015	1.8	79.69	13568	32816	19258	39008	
		46	4.6	831	2.3	65.35	13802	31731	19424	37489	
		51	5.1	750	2.6	58.94	13890	30931	19487	36544	
4	2100	15	2.2	2536	0.9	139.34	9031	38607	16382	40000	SK 53 - 100T5/4
		20	2.8	1924	1.2	105.87	11549	37283	17893	40000	
		22	3.1	1736	1.3	95.49	12102	36682	18255	40000	
		26	3.8	1449	1.3	79.69	12796	35267	18723	40000	
		32	4.6	1188	1.6	65.35	13298	34466	19069	40000	
		36	5.1	1072	1.8	58.94	13484	33689	19199	39846	
4	3000	11	1.1	3381	1.1	265.32	15601	19272	24961	45000	SK 63 - 100T2/4D
		14	1.4	2730	1.3	214.10	17409	19294	26130	44516	
		17	1.7	2303	1.6	180.57	18312	19141	26740	43293	
		21	2.1	1859	2.0	145.71	19054	18782	27253	41625	
		28	2.8	1376	2.7	107.89	19659	18054	27680	39132	
		34	3.4	1111	2.9	87.06	19909	17428	27858	37312	
4	2100	9.8	1.4	3900	0.9	214.10	13665	19089	23799	45000	SK 63 - 100T5/4
		12	1.7	3290	1.1	180.57	15892	19291	25144	45000	
		14	2.1	2656	1.4	145.71	17580	19279	26244	44326	
		19	2.8	1966	1.9	107.89	18892	18890	27140	42070	
		24	3.4	1587	2.0	87.06	19419	18426	27510	40329	
		27	3.9	1409	2.6	77.46	19624	18119	27654	39334	
5.5	3000	179	18	293	1.2	16.75		3231	6997	4567	SK 22 - 100T5/4D
		204	20	257	1.3	14.69		3300	7113	4580	
		246	25	213	1.5	12.20		3257	7230	4511	
		275	28	191	1.7	10.89		3258	7281	4485	
		354	35	148	1.7	8.48	158	3069	7363	4297	
		396	40	133	1.9	7.57	576	3039	7305	4247	
		438	44	120	2.1	6.86	1080	3056	7258	4232	
		461	46	114	2.0	6.51	1050	2981	7148	4166	
		520	52	101	2.1	5.79	1360	2925	7011	4093	
		579	58	90.7	1.8	5.18	1107	2730	6738	3926	
		647	65	81.2	1.8	4.62	1360	2683	6613	3859	
		753	75	69.8	2.0	3.97	1641	2611	6434	3763	
		849	85	61.8	2.1	3.53	1714	2548	6285	3681	
		1073	107	48.9	2.3	2.79	1639	2417	5987	3514	

UNICASE In-line gear motors

P1	n1	n2 nom	n2 min	M2	fB	i	FR	FA	FR (VL)	FA (VL)	Gearmotor
[kW]	[rpm]	[rpm]	[rpm]	[Nm]			[N]	[N]	[N]	[N]	
5.5	3000	99	9.9	533	1.2	30.43	273	5744	8988	6670	SK 32 - 100T5/4D
		110	11	477	1.3	27.24	926	5809	9082	6641	
		130	13	404	1.6	23.12	2078	5929	9187	6659	
		145	15	362	1.8	20.70	2505	5823	9240	6585	
		161	16	326	1.9	18.67	2880	5761	9280	6533	
		180	18	291	1.8	16.66	2825	5534	9314	6378	
		185	18	284	2.2	16.25	2880	5691	9321	6469	
		200	20	263	1.9	15.03	2812	5454	9340	6310	
		207	21	254	2.6	14.55	2845	5544	9347	6358	
5.5	3000	40	4.0	1311	0.8	74.87		7625		5816	SK 42 - 100T5/4D
		49	4.9	1062	0.9	60.66		8166		6158	
		59	5.9	893	1.2	50.98		8761	4993	6554	
		73	7.3	723	1.6	41.29		8887	11650	6630	
		85	8.5	617	2.0	35.25	4511	8890	11650	6627	
		98	9.8	533	2.0	30.46	4580	9099	11650	6770	
		102	10	513	2.0	29.29	4475	8843	11650	6592	
		122	12	432	2.1	24.67	4480	8911	11650	6639	
		123	12	427	2.0	24.41	4380	8664	11650	6467	
		137	14	382	2.9	21.87	4454	8892	11650	6627	
5.5	3000	35	3.5	1521	1.1	86.92	12638	32018	18615	38833	SK 52 - 100T5/4D
		38	3.8	1375	1.2	78.56	12952	31350	18829	37959	
		42	4.2	1251	1.3	71.39	13187	30707	18992	37135	
		50	5.0	1042	1.8	59.54	13529	29701	19230	35738	
		56	5.6	942	2.0	53.81	13667	28983	19328	34865	
		61	6.1	857	2.2	48.90	13664	28309	19403	34057	
		78	7.8	673	2.5	38.45	12835	26537	19540	31978	
		83	8.3	630	2.2	36.03	12755	26355	19567	31640	
		92	9.2	570	2.2	32.56	12421	25644	19602	30812	
		93	9.3	562	2.5	32.09	12240	25270	19606	30502	
5.5	3000	14	1.4	3754	1.0	214.10	14266	16463	24149	41023	SK 63 - 100T5/4D
		17	1.7	3166	1.2	180.57	16263	16752	25380	40348	
		21	2.1	2556	1.4	145.71	17800	16853	26392	39249	
		28	2.8	1892	1.9	107.89	19005	16626	27219	37373	
		34	3.4	1528	2.1	87.06	19491	16275	27560	35890	
		39	3.9	1357	2.7	77.46	19680	16031	27694	35035	

NORDBLOC.1 Helical-bevel gear motors



P1	n1	n2 nom	n2 min	M2	fB	i	FR	FA	FR (VL)	FA (VL)	Gearmotor
[kW]	[rpm]	[rpm]	[rpm]	[Nm]			[N]	[N]	[N]	[N]	
1.1	2100	131	19	80.0	0.8	16.00	4979	9000	4335	9000	SK 92072.1 - 80T1/4
		164	23	63.9	0.9	12.78	4847	9000	4060	9000	
		189	27	55.6	1.2	11.11	4708	8698	3943	8698	
		213	30	49.3	1.5	9.85	4585	8438	3840	8438	
		242	35	43.4	1.7	8.67	4440	8196	3719	8196	
		277	40	37.9	1.9	7.58	4312	7875	3612	7875	
		315	45	33.3	2.0	6.67	4166	7636	3489	7636	
		360	51	29.2	2.5	5.83	3988	7451	3341	7451	
		406	58	25.8	2.6	5.17	3864	7180	3236	7180	
		451	64	23.3	2.8	4.65	3752	6834	3143	6834	
1.1	2100	85	12	124	1.0	24.80	4557	11600	4557	11600	SK 92172.1 - 80T1/4
		102	15	103	1.0	20.67	4683	11600	4683	11600	
		138	20	76.2	1.2	15.23	4811	11600	4811	11600	
		151	22	69.4	1.6	13.87	4836	11441	4836	11441	
		170	24	61.7	1.7	12.34	4862	11122	4862	11122	
		172	25	60.9	1.9	12.18	4864	11046	4864	11046	
		194	28	54.2	2.1	10.83	4884	10731	4827	10731	
		207	30	50.8	1.9	10.15	4893	10501	4761	10501	
		221	32	47.5	2.3	9.49	4901	10408	4647	10408	
		233	33	45.2	2.1	9.03	4906	10193	4610	10193	
		252	36	41.7	2.8	8.33	4914	10028	4493	10028	
		268	38	39.2	2.8	7.83	4919	9864	4416	9864	
		322	46	32.7	2.8	6.53	4931	9351	4205	9351	

NORDBLOC.1 Helical-bevel gear motors

NORDBLOC.1 Helical-bevel gear motors

P1	n1	n2 nom	n2 min	M2	fB	i	FR	FA	FR (VL)	FA (VL)	Gearmotor
[kW]	[rpm]	[rpm]	[rpm]	[Nm]			[N]	[N]	[N]	[N]	
1.1	2100	57	8.2	184	1.0	36.80	5963	15000	6219	15000	SK 92372.1 - 80T1/4
		64	9.1	164	1.2	32.80	6059	15000	6311	15000	
		75	11	141	1.3	28.11	6157	15000	6404	15000	
		84	12	125	1.7	25.06	6211	15000	6457	15000	
		93	13	112	1.6	22.49	6252	15000	6496	15000	
		105	15	100	2.2	20.04	6287	15000	6529	15000	
		115	16	91.7	2.0	18.33	6308	15000	6550	15000	
		133	19	79.3	2.3	15.84	6336	15000	6577	15000	
		167	24	62.8	2.9	12.56	6367	15000	6607	15000	
1.1	2100	43	6.2	243	1.3	48.56	8035	20000	8035	20000	SK 92672.1 - 80T1/4
		49	6.9	216	1.4	43.28	8124	20000	8124	20000	
		56	7.9	189	1.7	37.82	8204	20000	8204	20000	
		62	8.9	169	2.2	33.71	8257	20000	8257	20000	
		68	9.8	153	2.1	30.67	8292	20000	8292	20000	
		77	11	137	2.7	27.33	8327	20000	8327	20000	
1.1	2100	31	4.5	335	1.5	66.96	9970	25000	9970	25000	SK 92772.1 - 80T1/4
		35	5.0	299	1.5	59.68	10072	25000	10072	25000	
		40	5.7	263	2.2	52.64	10159	25000	10159	25000	
		45	6.4	235	2.2	46.92	10221	25000	10221	25000	
		48	6.9	217	2.9	43.44	10255	25000	10255	25000	
1.5	3000	106	11	135	0.8	28.24	4481	11516	4481	11516	SK 92172.1 - 80T1/4D
		121	12	118	1.0	24.80	4594	11203	4594	11203	
		145	15	98.7	1.1	20.67	4708	10750	4708	10750	
		197	20	72.7	1.3	15.23	4824	10292	4608	10292	
		216	22	66.2	1.6	13.87	4847	10048	4515	10048	
		243	24	58.9	1.8	12.34	4870	9777	4386	9777	
		246	25	58.2	2.0	12.18	4872	9708	4384	9708	
		277	28	51.7	2.2	10.83	4890	9439	4254	9439	
		296	30	48.5	2.0	10.15	4899	9237	4198	9237	
		316	32	45.3	2.4	9.49	4906	9165	4097	9165	
		332	33	43.1	2.2	9.03	4911	8973	4067	8973	
		360	36	39.8	2.9	8.33	4918	8719	3965	8719	
		383	38	37.4	3.0	7.83	4852	8475	3898	8475	
		460	46	31.2	3.0	6.53	4624	7780	3715	7780	
1.5	2100	221	32	64.7	1.7	9.49	4852	9995	4490	9995	SK 92172.1 - 90T1/4
		252	36	56.8	2.0	8.33	4876	9655	4359	9655	
		268	38	53.4	2.1	7.83	4886	9513	4290	9513	
		302	43	47.4	2.3	6.94	4901	9185	4173	9185	
		322	46	44.5	2.1	6.53	4908	9046	4103	9046	
		364	52	39.4	2.3	5.77	4903	8729	3939	8729	
		400	57	35.9	3.0	5.26	4786	8343	3845	8343	

NORDBLOC.1 Helical-bevel gear motors

P1	n1	n2 nom	n2 min	M2	fB	i	FR	FA	FR (VL)	FA (VL)	Gearmotor
[kW]	[rpm]	[rpm]	[rpm]	[Nm]			[N]	[N]	[N]	[N]	
1.5	3000	82	8.2	176	1.0	36.80	6004	15000	6259	15000	SK 92372.1 - 80T1/4D
		91	9.1	157	1.3	32.80	6092	15000	6343	15000	
		107	11	134	1.4	28.11	6180	15000	6427	15000	
		120	12	120	1.8	25.06	6230	15000	6475	15000	
		133	13	107	1.7	22.49	6267	15000	6511	15000	
		150	15	95.7	2.3	20.04	6298	15000	6541	15000	
		164	16	87.5	2.1	18.33	6318	15000	6560	15000	
		189	19	75.7	2.4	15.84	6344	15000	6423	15000	
1.5	2100	64	9.1	224	0.9	32.80	5732	15000	5999	15000	SK 92372.1 - 90T1/4
		75	11	192	1.0	28.11	5922	15000	6180	15000	
		84	12	171	1.3	25.06	6028	15000	6281	15000	
		93	13	153	1.2	22.49	6105	15000	6356	15000	
		105	15	137	1.6	20.04	6171	15000	6418	15000	
		115	16	125	1.5	18.33	6212	15000	6458	15000	
		133	19	108	1.7	15.84	6265	15000	6509	15000	
		149	21	96.3	2.3	14.12	6297	15000	6539	15000	
		167	24	85.7	2.1	12.56	6322	15000	6564	15000	
		188	27	76.4	2.9	11.20	6342	15000	6451	15000	
		205	29	69.7	2.6	10.22	6355	15000	6279	15000	
1.5	3000	62	6.2	232	1.4	48.56	8073	20000	8073	20000	SK 92672.1 - 80T1/4D
		69	6.9	207	1.5	43.28	8154	20000	8154	20000	
		79	7.9	181	1.8	37.82	8227	20000	8227	20000	
		89	8.9	161	2.3	33.71	8275	20000	8275	20000	
		98	9.8	146	2.2	30.67	8307	20000	8307	20000	
		110	11	131	2.8	27.33	8339	20000	8339	20000	
1.5	2100	43	6.2	331	1.0	48.56	7651	20000	7651	20000	SK 92672.1 - 90T1/4
		49	6.9	295	1.0	43.28	7824	20000	7824	20000	
		56	7.9	258	1.2	37.82	7979	20000	7979	20000	
		62	8.9	230	1.6	33.71	8080	20000	8080	20000	
		68	9.8	209	1.5	30.67	8146	20000	8146	20000	
		77	11	186	2.0	27.33	8212	20000	8212	20000	
		84	12	170	2.1	24.88	8255	20000	8255	20000	
		105	15	136	2.3	20.00	8328	20000	8328	20000	
		115	16	124	2.8	18.21	8350	20000	8350	20000	
		120	17	119	2.7	17.46	8359	20000	8359	20000	
1.5	3000	45	4.5	320	1.5	66.96	10014	25000	10014	25000	SK 92772.1 - 80T1/4D
		50	5.0	285	1.5	59.68	10107	25000	10107	25000	
		57	5.7	251	2.3	52.64	10186	25000	10186	25000	
		64	6.4	224	2.3	46.92	10242	25000	10242	25000	

NORDBLOC.1 Helical-bevel gear motors

P1	n1	n2 nom	n2 min	M2	fB	i	FR	FA	FR (VL)	FA (VL)	Gearmotor
[kW]	[rpm]	[rpm]	[rpm]	[Nm]			[N]	[N]	[N]	[N]	
1.5	2100	31	4.5	457	1.1	66.96	9531	25000	9531	25000	SK 92772.1 - 90T1/4
		35	5.0	407	1.1	59.68	9729	25000	9729	25000	
		40	5.7	359	1.6	52.64	9895	25000	9895	25000	
		45	6.4	320	1.6	46.92	10013	25000	10013	25000	
		48	6.9	296	2.1	43.44	10078	25000	10078	25000	
		53	7.6	268	2.3	39.32	10147	25000	10147	25000	
		60	8.6	239	2.8	35.04	10212	25000	10212	25000	
2.2	3000	91	9.1	230	0.9	32.80	5693	15000	5961	15000	SK 92372.1 - 90T1/4D
		107	11	197	0.9	28.11	5894	15000	6153	15000	
		120	12	175	1.2	25.06	6006	15000	6260	15000	
		133	13	157	1.2	22.49	6088	15000	6339	15000	
		150	15	140	1.6	20.04	6157	15000	6405	15000	
		164	16	128	1.4	18.33	6201	15000	6447	15000	
		189	19	111	1.7	15.84	6257	14876	6172	14876	
		212	21	98.9	2.2	14.12	6290	14424	6009	14424	
		239	24	88	2.1	12.56	6317	14056	5818	14056	
		268	27	78.4	2.8	11.20	6338	13331	5654	13331	
		293	29	71.6	2.6	10.22	6352	12837	5506	12837	
2.2	2100	84	12	251	0.9	25.06	5544	15000	5819	15000	SK 92372.1 - 90T3/4
		93	13	225	0.8	22.49	5724	15000	5991	15000	
		105	15	201	1.1	20.04	5874	15000	6134	15000	
		115	16	183	1.0	18.33	5966	15000	6222	15000	
		133	19	159	1.2	15.84	6084	15000	6335	15000	
		149	21	141	1.5	14.12	6154	15000	6402	15000	
		167	24	126	1.5	12.56	6210	15000	6363	15000	
		188	27	112	1.9	11.20	6253	14858	6202	14858	
		203	29	103	2.1	10.33	6278	14426	6122	14426	
		205	29	102	1.8	10.22	6281	14588	6047	14588	
		230	33	91.1	2.4	9.11	6310	14139	5883	14139	
		256	37	82.0	2.5	8.19	6331	13453	5757	13453	
		300	43	70.1	2.9	7.01	6354	12682	5484	12682	
2.2	3000	62	6.2	340	0.9	48.56	7605	20000	7605	20000	SK 92672.1 - 90T1/4D
		69	6.9	303	1.0	43.28	7788	20000	7788	20000	
		79	7.9	265	1.2	37.82	7952	20000	7952	20000	
		89	8.9	236	1.5	33.71	8059	20000	8059	20000	
		98	9.8	215	1.5	30.67	8129	20000	8129	20000	
		110	11	191	1.9	27.33	8198	20000	8198	20000	
		121	12	174	2.1	24.88	8243	20000	8243	20000	
		150	15	140	2.2	20.00	8320	20000	8320	20000	
		165	16	127	2.7	18.21	8344	20000	8344	20000	
		172	17	122	2.6	17.46	8354	20000	8354	20000	

NORDBLOC.1 Helical-bevel gear motors

P1	n1	n2 nom	n2 min	M2	fB	i	FR	FA	FR (VL)	FA (VL)	Gearmotor
[kW]	[rpm]	[rpm]	[rpm]	[Nm]			[N]	[N]	[N]	[N]	
2.2	2100	56	7.9	378	0.8	37.82	7387	20000	7387	20000	SK 92672.1 - 90T3/4
		62	8.9	337	1.1	33.71	7620	20000	7620	20000	
		68	9.8	307	1.0	30.67	7771	20000	7771	20000	
		77	11	273	1.3	27.33	7917	20000	7917	20000	
		84	12	249	1.5	24.88	8013	20000	8013	20000	
		105	15	200	1.6	20.00	8174	20000	8174	20000	
		115	16	182	1.9	18.21	8223	20000	8223	20000	
		120	17	175	1.8	17.46	8242	20000	8242	20000	
		135	19	156	2.3	15.56	8287	20000	8287	20000	
		146	21	144	2.2	14.40	8312	20000	8312	20000	
		164	23	128	2.8	12.84	8343	20000	8343	20000	
2.2	3000	45	4.5	469	1.0	66.96	9479	25000	9479	25000	SK 92772.1 - 90T1/4D
		50	5.0	418	1.0	59.68	9688	25000	9688	25000	
		57	5.7	369	1.6	52.64	9864	25000	9864	25000	
		64	6.4	329	1.6	46.92	9989	25000	9989	25000	
		69	6.9	304	2.1	43.44	10057	25000	10057	25000	
		76	7.6	275	2.3	39.32	10130	25000	10130	25000	
		86	8.6	245	2.7	35.04	10198	25000	10198	25000	
2.2	2100	40	5.7	527	1.1	52.64	9205	25000	9205	25000	SK 92772.1 - 90T3/4
		45	6.4	469	1.1	46.92	9476	25000	9476	25000	
		48	6.9	435	1.4	43.44	9622	25000	9622	25000	
		53	7.6	393	1.6	39.32	9779	25000	9779	25000	
		60	8.6	351	1.9	35.04	9922	25000	9922	25000	
		76	11	277	2.3	27.65	10127	25000	10127	25000	
		83	12	254	2.5	25.34	10181	25000	10181	25000	
		85	12	247	2.7	24.64	10196	25000	10196	25000	
		93	13	226	2.9	22.59	10238	25000	10238	25000	
		99	14	211	3.0	21.14	10266	25000	10266	25000	
3	2100	167	24	171	1.1	12.56	6025	14418	6037	14418	SK 92372.1 - 100T2/4
		188	27	153	1.4	11.20	6108	14043	5916	14043	
		205	29	139	1.3	10.22	6161	13861	5782	13861	
		230	33	124	1.8	9.11	6215	13477	5651	13477	
		256	37	112	1.9	8.19	6254	12686	5561	12686	
		300	43	95.6	2.1	7.01	6299	12093	5306	12093	
		315	45	90.9	2.3	6.67	6310	11699	5279	11699	
		360	51	79.6	2.4	5.83	6336	11119	5098	11119	
		410	59	70.0	2.6	5.13	6355	10596	4925	10596	

NORDBLOC.1 Helical-bevel gear motors

NORDBLOC.1 Helical-bevel gear motors

P1	n1	n2 nom	n2 min	M2	fB	i	FR	FA	FR (VL)	FA (VL)	Gearmotor
[kW]	[rpm]	[rpm]	[rpm]	[Nm]			[N]	[N]	[N]	[N]	
3	3000	120	12	239	0.9	25.06	5627	15000	5898	15000	SK 92372.1 - 90T3/4D
		133	13	215	0.9	22.49	5789	14958	6053	14958	
		150	15	191	1.1	20.04	5924	14606	6182	14606	
		164	16	175	1.0	18.33	6008	14133	6162	14133	
		189	19	151	1.2	15.84	6114	14086	5884	14086	
		212	21	135	1.6	14.12	6178	13705	5757	13705	
		239	24	120	1.5	12.56	6229	13346	5589	13346	
		268	27	107	2.0	11.20	6268	12654	5454	12654	
		290	29	98.7	2.2	10.33	6291	12074	5391	12074	
		293	29	97.6	1.9	10.22	6294	12246	5321	12246	
		329	33	87.0	2.5	9.11	6319	11649	5181	11649	
366	37	78.3	2.7	8.19	6338	11049	5075	11049			
3	2100	84	12	339	1.1	24.88	7608	20000	7608	20000	SK 92672.1 - 100T2/4
		115	16	248	1.4	18.21	8015	20000	8015	20000	
		120	17	238	1.3	17.46	8051	20000	8051	20000	
		135	19	212	1.7	15.56	8137	20000	8137	20000	
		146	21	196	1.6	14.40	8184	20000	8184	20000	
		164	23	175	2.1	12.84	8241	19608	8241	19608	
		184	26	155	2.3	11.39	8288	18862	8288	18862	
		207	30	139	2.6	10.16	8323	18529	8323	18529	
		224	32	128	2.8	9.39	8343	17699	8254	17699	
3	3000	79	7.9	361	0.9	37.82	7489	20000	7489	20000	SK 92672.1 - 90T3/4D
		89	8.9	322	1.1	33.71	7698	20000	7698	20000	
		98	9.8	293	1.1	30.67	7835	20000	7835	20000	
		110	11	261	1.4	27.33	7967	20000	7967	20000	
		121	12	238	1.5	24.88	8053	20000	8053	20000	
		150	15	191	1.6	20.00	8199	19765	8199	19765	
		165	16	174	2.0	18.21	8244	19357	8244	19357	
		172	17	167	1.9	17.46	8262	19449	8262	19449	
		193	19	149	2.4	15.56	8303	18851	8303	18851	
		208	21	138	2.3	14.40	8325	18548	8325	18548	
		234	23	123	3.0	12.84	8353	17540	8106	17540	
3	2100	53	7.6	536	1.2	39.32	9156	25000	9156	25000	SK 92772.1 - 100T2/4
		60	8.6	478	1.4	35.04	9438	25000	9438	25000	
		83	12	346	1.8	25.34	9937	25000	9937	25000	
		93	13	308	2.1	22.59	10046	25000	10046	25000	
		99	14	288	2.2	21.14	10098	25000	10098	25000	
		110	16	261	2.4	19.17	10163	25000	10163	25000	
		111	16	257	2.5	18.84	10173	25000	10173	25000	
		123	18	233	2.8	17.08	10224	25000	10224	25000	
		136	19	210	3.0	15.42	10268	25000	10268	25000	

NORDBLOC.1 Helical-bevel gear motors

P1	n1	n2 nom	n2 min	M2	fB	i	FR	FA	FR (VL)	FA (VL)	Gearmotor
[kW]	[rpm]	[rpm]	[rpm]	[Nm]			[N]	[N]	[N]	[N]	
3	3000	57	5.7	503	1.1	52.64	9323	25000	9323	25000	SK 92772.1 - 90T3/4D
		64	6.4	448	1.1	46.92	9568	25000	9568	25000	
		69	6.9	415	1.5	43.44	9699	25000	9699	25000	
		76	7.6	375	1.7	39.32	9841	25000	9841	25000	
		86	8.6	335	2.0	35.04	9971	25000	9971	25000	
		109	11	264	2.4	27.65	10157	25000	10157	25000	
		118	12	242	2.6	25.34	10206	25000	10206	25000	
		122	12	235	2.8	24.64	10219	25000	10219	25000	
4	3000	239	24	160	1.2	12.56	6077	12402	5304	12402	SK 92372.1 - 100T2/4D
		268	27	143	1.5	11.20	6149	11818	5205	11818	
		293	29	130	1.4	10.22	6195	11514	5089	11514	
		329	33	116	1.9	9.11	6241	10996	4978	10996	
		366	37	104	2.0	8.19	6276	10428	4904	10428	
		428	43	89.2	2.3	7.01	6257	10048	4681	10048	
		450	45	84.9	2.4	6.67	6231	9741	4660	9741	
		514	51	74.3	2.5	5.83	6020	9319	4503	9319	
		585	59	65.3	2.8	5.13	5818	8929	4352	8929	
4	2100	167	24	229	0.8	12.56	5701	13301	5630	13301	SK 92372.1 - 100T5/4
		188	27	204	1.1	11.20	5855	13025	5561	13025	
		205	29	186	1.0	10.22	5953	12953	5451	12953	
		230	33	166	1.3	9.11	6052	12471	5362	12471	
		256	37	149	1.4	8.19	6123	11741	5317	11741	
		300	43	127	1.6	7.01	6204	11362	5083	11362	
		315	45	121	1.7	6.67	6225	10961	5080	10961	
		360	51	106	1.8	5.83	6271	10486	4924	10486	
		410	59	93.3	2.0	5.13	6304	10050	4772	10050	
		488	70	78.3	2.4	4.31	6103	9484	4565	9484	
		565	81	67.6	2.7	3.72	5873	9033	4393	9033	
4	3000	121	12	317	1.1	24.88	7723	19648	7723	19648	SK 92672.1 - 100T2/4D
		165	16	232	1.5	18.21	8074	18313	8074	18313	
		172	17	222	1.4	17.46	8105	18539	8105	18539	
		193	19	198	1.8	15.56	8179	18021	8179	18021	
		208	21	183	1.7	14.40	8220	17646	8046	17646	
		234	23	163	2.2	12.84	8270	16730	7846	16730	
		263	26	145	2.5	11.39	8310	15723	7673	15723	
		295	30	129	2.8	10.16	8341	15232	7397	15232	
		319	32	120	3.0	9.39	8358	14605	7294	14605	

NORDBLOC.1 Helical-bevel gear motors

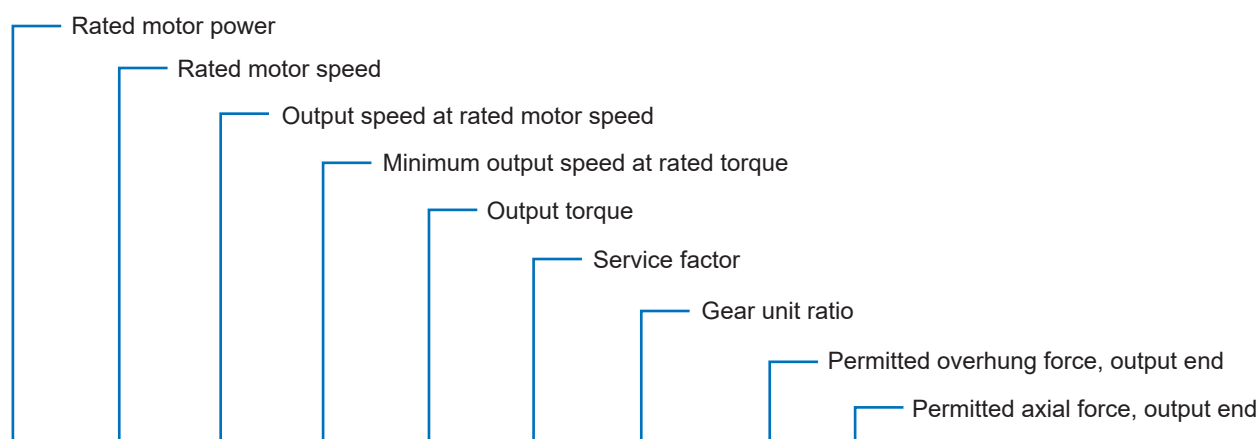
NORDBLOC.1 Helical-bevel gear motors

P1	n1	n2 nom	n2 min	M2	fB	i	FR	FA	FR (VL)	FA (VL)	Gearmotor
[kW]	[rpm]	[rpm]	[rpm]	[Nm]			[N]	[N]	[N]	[N]	
4	2100	84	12	453	0.8	24.88	6874	20000	6874	20000	SK 92672.1 - 100T5/4
		115	16	331	1.1	18.21	7652	19366	7652	19366	
		120	17	318	1.0	17.46	7719	19782	7719	19782	
		135	19	283	1.3	15.56	7877	19294	7877	19294	
		146	21	262	1.2	14.40	7963	19139	7963	19139	
		164	23	234	1.6	12.84	8068	18629	8068	18629	
		184	26	207	1.7	11.39	8153	17930	8153	17930	
		207	30	185	2.0	10.16	8216	17615	8082	17615	
		224	32	171	2.1	9.39	8252	16780	7999	16780	
		252	36	152	2.3	8.33	8296	15998	7761	15998	
		282	40	135	2.6	7.44	8330	15305	7536	15305	
314	45	122	2.6	6.68	8355	14921	7264	14921			
4	3000	76	7.6	501	1.3	39.32	9334	25000	9334	25000	SK 92772.1 - 100T2/4D
		86	8.6	446	1.5	35.04	9575	25000	9575	25000	
		118	12	323	2.0	25.34	10006	25000	10006	25000	
		133	13	288	2.3	22.59	10100	25000	10100	25000	
		142	14	269	2.3	21.14	10145	25000	10145	25000	
		157	16	244	2.6	19.17	10201	25000	10201	25000	
		159	16	240	2.7	18.84	10210	25000	10210	25000	
		176	18	218	3.0	17.08	10254	24707	10254	24707	
4	2100	53	7.6	715	0.9	39.32	7998	25000	7998	25000	SK 92772.1 - 100T5/4
		60	8.6	637	1.0	35.04	8562	25000	8562	25000	
		83	12	461	1.4	25.34	9513	25000	9513	25000	
		93	13	411	1.6	22.59	9715	25000	9715	25000	
		99	14	385	1.6	21.14	9810	25000	9810	25000	
		110	16	349	1.8	19.17	9928	25000	9928	25000	
		111	16	343	1.9	18.84	9946	25000	9946	25000	
		123	18	311	2.1	17.08	10039	25000	10039	25000	
		136	19	280	2.2	15.42	10118	25000	10118	25000	
		152	22	251	2.4	13.79	10187	25000	10187	25000	
		168	24	227	2.6	12.50	10235	24732	10235	24732	
		186	27	205	2.8	11.28	10277	24131	10277	24131	

NORDBLOC.1 Helical-bevel gear motors

P1	n1	n2 nom	n2 min	M2	fB	i	FR	FA	FR (VL)	FA (VL)	Gearmotor
[kW]	[rpm]	[rpm]	[rpm]	[Nm]			[N]	[N]	[N]	[N]	
5.5	3000	121	12	436	0.8	24.88	7003	17659	7003	17659	SK 92672.1 - 100T5/4D
		165	16	319	1.1	18.21	7714	16750	7714	16750	
		172	17	306	1.0	17.46	7776	17177	7776	17177	
		193	19	272	1.3	15.56	7921	16627	7741	16627	
		208	21	252	1.3	14.40	8001	16293	7600	16293	
		234	23	225	1.6	12.84	8097	15528	7456	15528	
		263	26	199	1.8	11.39	8176	14608	7349	14608	
		295	30	178	2.0	10.16	8234	14321	7089	14321	
		319	32	164	2.2	9.39	8267	13711	7026	13711	
		360	36	146	2.4	8.33	8308	13184	6824	13184	
		403	40	130	2.7	7.44	8146	12698	6631	12698	
449	45	117	2.7	6.68	7850	12465	6391	12465			
5.5	3000	76	7.6	688	0.9	39.32	8205	25000	8205	25000	SK 92772.1 - 100T5/4D
		86	8.6	613	1.1	35.04	8715	25000	8715	25000	
		118	12	444	1.4	25.34	9586	25000	9586	25000	
		133	13	395	1.6	22.59	9771	24824	9771	24824	
		142	14	370	1.7	21.14	9859	24652	9859	24652	
		157	16	336	1.9	19.17	9968	24182	9968	24182	
		159	16	330	1.9	18.84	9985	23987	9985	23987	
		176	18	299	2.2	17.08	10070	23513	10070	23513	
		195	19	270	2.3	15.42	10143	22665	10143	22665	
		218	22	241	2.5	13.79	10207	21324	10207	21324	
		240	24	219	2.7	12.50	10252	20521	10175	20521	
		266	27	198	2.9	11.28	10290	19727	9906	19727	

NORDBLOC.1 Helical-bevel gear motors HM



P1	n1	n2 nom	n2 min	M2	fB	i	FR	FA	FR (VL)	FA (VL)	Gearmotor
[kW]	[rpm]	[rpm]	[rpm]	[Nm]			[N]	[N]	[N]	[N]	
0.75	2100	101	14	70.9	1.1	20.80	5000	9000	4849	9000	SK 92072.1 - 80 T1/4 HM
		131	19	54.6	1.2	16.00	5000	9000	4577	9000	
		164	23	43.6	1.4	12.78	5000	9000	4272	9000	
		189	27	37.9	1.7	11.11	4924	9000	4124	9000	
		213	30	33.6	2.3	9.85	4772	8884	3997	8884	
		242	35	29.6	2.5	8.67	4605	8589	3857	8589	
		277	40	25.8	2.8	7.58	4449	8238	3726	8238	
		315	45	22.7	3.0	6.67	4286	7955	3590	7955	
		360	51	19.9	3.6	5.83	4102	7709	3435	7709	
		406	58	17.6	3.8	5.17	3963	7435	3319	7435	
		451	64	15.9	4.1	4.65	3841	7086	3217	7086	
0.75	2100	74	11	96.3	1.1	28.24	4720	11600	4720	11600	SK 92172.1 - 80 T1/4 HM
		85	12	84.6	1.4	24.80	4776	11600	4776	11600	
		102	15	70.5	1.5	20.67	4832	11600	4832	11600	
		138	20	51.9	1.8	15.23	4890	11600	4890	11600	
		151	22	47.3	2.3	13.87	4901	11600	4901	11600	
		170	24	42.1	2.6	12.34	4913	11592	4913	11592	
		172	25	41.5	2.7	12.18	4914	11523	4914	11523	
		194	28	36.9	3.1	10.83	4923	11155	4923	11155	
		207	30	34.6	2.7	10.15	4928	10916	4899	10916	
		221	32	32.4	3.3	9.49	4931	10770	4785	10770	
		233	33	30.8	3.1	9.03	4934	10562	4732	10562	
		252	36	28.4	4.0	8.33	4937	10355	4611	10355	
		268	38	26.7	4.2	7.83	4940	10171	4527	10171	
		302	43	23.7	4.6	6.94	4944	9793	4375	9793	
		322	46	22.3	4.2	6.53	4945	9618	4293	9618	
364	52	19.7	4.7	5.77	4948	9288	4121	9288			

NORDBLOC.1 Helical-bevel gear motors HM

NORDBLOC.1 Helical-bevel gear motors HM

P1	n1	n2 nom	n2 min	M2	fB	i	FR	FA	FR (VL)	FA (VL)	Gearmotor
[kW]	[rpm]	[rpm]	[rpm]	[Nm]			[N]	[N]	[N]	[N]	
0.75	2100	51	7.2	141	1.3	41.46	6154	15000	6402	15000	SK 92372.1 - 80 T1/4 HM
		57	8.2	126	1.5	36.80	6211	15000	6456	15000	
		64	9.1	112	1.8	32.80	6254	15000	6498	15000	
		75	11	95.9	1.9	28.11	6298	15000	6540	15000	
		84	12	85.5	2.6	25.06	6323	15000	6564	15000	
		93	13	76.7	2.4	22.49	6342	15000	6582	15000	
		105	15	68.4	3.2	20.04	6357	15000	6597	15000	
		115	16	62.5	2.9	18.33	6367	15000	6607	15000	
		133	19	54.0	3.4	15.84	6380	15000	6619	15000	
		149	21	48.2	4.5	14.12	6388	15000	6627	15000	
		167	24	42.9	4.3	12.56	6394	15000	6633	15000	
0.75	2100	43	6.2	166	1.9	48.56	8265	20000	8265	20000	SK 92672.1 - 80 T1/4 HM
		49	6.9	148	2.1	43.28	8305	20000	8305	20000	
		56	7.9	129	2.5	37.82	8342	20000	8342	20000	
		62	8.9	115	3.2	33.71	8366	20000	8366	20000	
		68	9.8	105	3.0	30.67	8382	20000	8382	20000	
		77	11	93.2	3.9	27.33	8398	20000	8398	20000	
		105	15	68.2	4.6	20.00	8426	20000	8426	20000	
0.75	2100	31	4.5	228	2.1	66.96	10233	25000	10233	25000	SK 92772.1 - 80 T1/4 HM
		35	5.0	204	2.1	59.68	10280	25000	10280	25000	
		40	5.7	180	3.2	52.64	10319	25000	10319	25000	
		45	6.4	160	3.2	46.92	10348	25000	10348	25000	
		48	6.9	148	4.3	43.44	10364	25000	10364	25000	
1.1	2100	360	51	29.2	2.5	5.83	3988	7451	3341	7451	SK 92072.1 - 90 T3/4 HM
		406	58	25.8	2.6	5.17	3864	7180	3236	7180	
		451	64	23.3	2.8	4.65	3752	6834	3143	6834	
		528	75	19.9	3.4	3.97	3599	6326	3014	6326	
		587	84	17.9	3.7	3.58	3490	6048	2923	6048	
1.1	2100	221	32	47.5	2.3	9.49	4901	10408	4647	10408	SK 92172.1 - 90 T3/4 HM
		252	36	41.7	2.8	8.33	4914	10028	4493	10028	
		268	38	39.2	2.8	7.83	4919	9864	4416	9864	
		302	43	34.7	3.2	6.94	4927	9510	4280	9510	
		322	46	32.7	2.8	6.53	4931	9351	4205	9351	
		364	52	28.9	3.2	5.77	4937	9026	4036	9026	
		400	57	26.3	4.1	5.26	4895	8613	3932	8613	
		429	61	24.5	4.4	4.89	4793	8328	3850	8328	
		489	70	21.5	4.9	4.30	4617	7833	3709	7833	
		546	78	19.2	4.6	3.85	4474	7437	3594	7437	
		587	84	17.9	4.9	3.58	4378	7213	3517	7213	

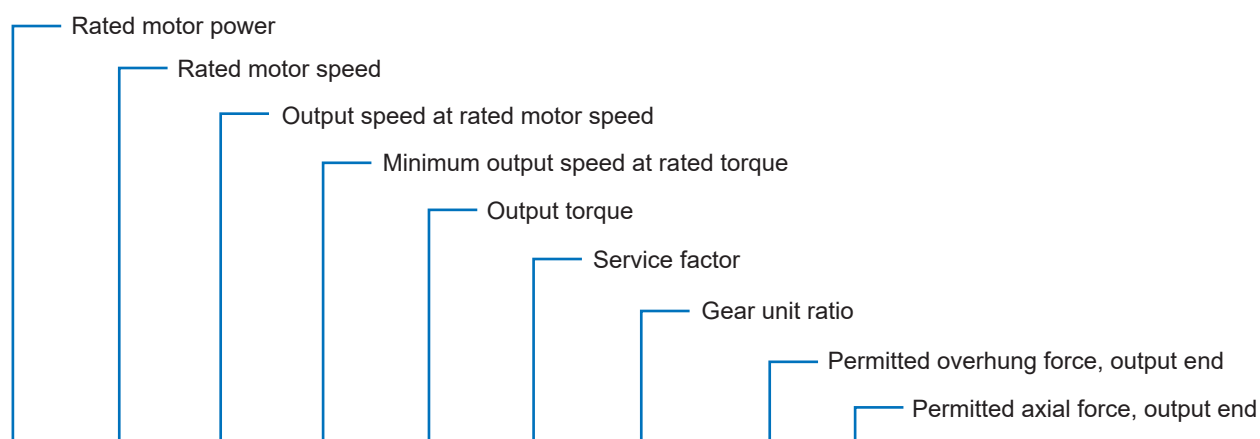
NORDBLOC.1 Helical-bevel gear motors HM

P1	n1	n2 nom	n2 min	M2	fB	i	FR	FA	FR (VL)	FA (VL)	Gearmotor
[kW]	[rpm]	[rpm]	[rpm]	[Nm]			[N]	[N]	[N]	[N]	
1.1	2100	57	8.2	184	1.0	36.80	5963	15000	6219	15000	SK 92372.1 - 90 T3/4 HM
		64	9.1	164	1.2	32.80	6059	15000	6311	15000	
		75	11	141	1.3	28.11	6157	15000	6404	15000	
		84	12	125	1.7	25.06	6211	15000	6457	15000	
		93	13	112	1.6	22.49	6252	15000	6496	15000	
		105	15	100	2.2	20.04	6287	15000	6529	15000	
		115	16	91.7	2.0	18.33	6308	15000	6550	15000	
		133	19	79.3	2.3	15.84	6336	15000	6577	15000	
		149	21	70.6	3.1	14.12	6353	15000	6593	15000	
		167	24	62.8	2.9	12.56	6367	15000	6607	15000	
		188	27	56.0	3.9	11.20	6378	15000	6593	15000	
		203	29	51.7	4.3	10.33	6384	15000	6461	15000	
		205	29	51.1	3.6	10.22	6384	15000	6411	15000	
230	33	45.6	4.8	9.11	6391	15000	6201	15000			
1.1	2100	43	6.2	243	1.3	48.56	8035	20000	8035	20000	SK 92672.1 - 90 T3/4 HM
		49	6.9	216	1.4	43.28	8124	20000	8124	20000	
		56	7.9	189	1.7	37.82	8204	20000	8204	20000	
		62	8.9	169	2.2	33.71	8257	20000	8257	20000	
		68	9.8	153	2.1	30.67	8292	20000	8292	20000	
		77	11	137	2.7	27.33	8327	20000	8327	20000	
		84	12	124	2.9	24.88	8350	20000	8350	20000	
		105	15	100	3.1	20.00	8389	20000	8389	20000	
		115	16	91.1	3.8	18.21	8401	20000	8401	20000	
		120	17	87.3	3.6	17.46	8405	20000	8405	20000	
		135	19	77.9	4.7	15.56	8416	20000	8416	20000	
		146	21	72.0	4.4	14.40	8423	20000	8423	20000	
1.1	2100	31	4.5	335	1.5	66.96	9970	25000	9970	25000	SK 92772.1 - 90 T3/4 HM
		35	5.0	299	1.5	59.68	10072	25000	10072	25000	
		40	5.7	263	2.2	52.64	10159	25000	10159	25000	
		45	6.4	235	2.2	46.92	10221	25000	10221	25000	
		48	6.9	217	2.9	43.44	10255	25000	10255	25000	
		53	7.6	197	3.2	39.32	10292	25000	10292	25000	
		60	8.6	175	3.8	35.04	10326	25000	10326	25000	
		76	11	138	4.6	27.65	10376	25000	10376	25000	
		83	12	127	5.0	25.34	10389	25000	10389	25000	

NORDBLOC.1 Helical-bevel gear motors HM

P1	n1	n2 nom	n2 min	M2	fB	i	FR	FA	FR (VL)	FA (VL)	Gearmotor
[kW]	[rpm]	[rpm]	[rpm]	[Nm]			[N]	[N]	[N]	[N]	
2.2	2100	167	24	126	1.5	12.56	6210	15000	6363	15000	SK 92372.1 - 100 T5/4 HM
		188	27	112	1.9	11.20	6253	14858	6202	14858	
		205	29	102	1.8	10.22	6281	14588	6047	14588	
		230	33	91.1	2.4	9.11	6310	14139	5883	14139	
		256	37	82.0	2.5	8.19	6331	13453	5757	13453	
		300	43	70.1	2.9	7.01	6354	12682	5484	12682	
		315	45	66.7	3.1	6.67	6360	12295	5439	12295	
		360	51	58.4	3.2	5.83	6374	11629	5237	11629	
		410	59	51.3	3.6	5.13	6384	11035	5047	11035	
		488	70	43.1	4.3	4.31	6394	10294	4796	10294	
		565	81	37.2	4.9	3.72	6139	9722	4593	9722	
2.2	2100	84	12	249	1.5	24.88	8013	20000	8013	20000	SK 92672.1 - 100 T5/4 HM
		115	16	182	1.9	18.21	8223	20000	8223	20000	
		120	17	175	1.8	17.46	8242	20000	8242	20000	
		135	19	156	2.3	15.56	8287	20000	8287	20000	
		146	21	144	2.2	14.40	8312	20000	8312	20000	
		164	23	128	2.8	12.84	8343	20000	8343	20000	
		184	26	114	3.2	11.39	8368	19608	8368	19608	
		207	30	102	3.6	10.16	8386	19148	8386	19148	
		224	32	94.0	3.8	9.39	8397	18442	8397	18442	
		252	36	83.4	4.2	8.33	8410	17430	8168	17430	
		282	40	74.4	4.7	7.44	8420	16555	7899	16555	
		314	45	66.9	4.7	6.68	8428	15922	7618	15922	
2.2	2100	53	7.6	393	1.6	39.32	9779	25000	9779	25000	SK 92772.1 - 100 T5/4 HM
		60	8.6	351	1.9	35.04	9922	25000	9922	25000	
		66	9.4	319	2.0	31.85	10017	25000	10017	25000	
		74	11	284	2.1	28.38	10109	25000	10109	25000	
		83	12	254	2.5	25.34	10181	25000	10181	25000	
		93	13	226	2.9	22.59	10238	25000	10238	25000	
		99	14	211	3.0	21.14	10266	25000	10266	25000	
		110	16	192	3.3	19.17	10300	25000	10300	25000	
		111	16	189	3.4	18.84	10305	25000	10305	25000	
		123	18	171	3.8	17.08	10332	25000	10332	25000	
		136	19	154	4.1	15.42	10356	25000	10356	25000	
		152	22	138	4.4	13.79	10376	25000	10376	25000	
		168	24	125	4.8	12.50	10391	25000	10391	25000	

UNICASE Helical-bevel gear motors



P1	n1	n2 nom	n2 min	M2	fB	i	FR	FA	FR (VL)	FA (VL)	Gearmotor
[kW]	[rpm]	[rpm]	[rpm]	[Nm]			[N]	[N]	[N]	[N]	
1.1	2100	22	3.1	487	0.8	97.36		20000	7299	20000	SK 9012.1 - 80T1/4
		24	3.5	431	0.9	86.00	2638	20000	7876	20000	
		27	3.9	384	1.0	76.53	4676	20000	8276	20000	
		33	4.8	314	1.3	62.74	5720	20000	8757	20000	
		38	5.4	276	1.4	55.17	6037	20000	8967	20000	
		43	6.1	245	1.6	48.95	6263	20000	9000	20000	
		50	7.2	209	1.9	41.65	6479	19662	9000	19662	
		60	8.6	174	2.3	34.81	6647	18820	9000	18820	
		67	9.5	157	2.5	31.45	6718	18410	9000	18410	
		76	11	139	2.9	27.65	6788	17849	9000	17849	
1.1	2100	14	2.0	750	0.8	149.81		20000	9000	20000	SK 9016.1 - 80T1/4
		15	2.1	713	0.9	142.41	1799	20000	9000	20000	
		18	2.6	583	1.0	116.52	6179	20000	9000	20000	
		23	3.3	460	1.1	91.77	6870	20000	9000	20000	
		26	3.7	407	1.5	81.38	7113	20000	9000	20000	
		29	4.2	360	1.7	71.88	7320	20000	9000	20000	
		33	4.7	320	1.9	63.97	7483	20000	9000	20000	
		40	5.7	262	2.3	52.44	7712	20000	9000	20000	
		45	6.5	231	2.6	46.11	7828	20000	9000	20000	
		51	7.3	204	2.9	40.92	7922	19521	9000	19521	
1.1	2100	11	1.6	923	0.9	184.46		12000	7408	14705	SK 9022.1 - 80T1/4
		12	1.8	850	1.0	169.81		12000	8397	14767	
		15	2.2	688	1.2	137.57	3708	12000	10023	14463	
		18	2.6	579	1.5	115.74	6557	12000	10825	14049	
		21	3.0	495	1.7	98.88	7342	12000	11318	13806	
		25	3.5	426	2.0	85.11	7844	12000	11649	13460	
		27	3.8	394	2.2	78.89	8042	12000	11784	13270	
		32	4.5	332	2.6	66.42	8373	12000	12000	12839	
				36	5.2	291	3.0	58.25	8556	12000	

UNICASE Helical-bevel gear motors

UNICASE Helical-bevel gear motors

P1	n1	n2 nom	n2 min	M2	fB	i	FR	FA	FR (VL)	FA (VL)	Gearmotor
[kW]	[rpm]	[rpm]	[rpm]	[Nm]			[N]	[N]	[N]	[N]	
1.1	2100	7.1	1.0	1481	1.0	295.85	5089	14500	13784	17964	SK 9032.1 - 80T1/4
		8.4	1.2	1251	1.2	249.72	6988	14500	14976	17686	
		9.0	1.3	1171	1.3	233.92	7594	14500	15000	17662	
		11	1.5	989	1.6	197.45	8724	14500	15000	17272	
		19	2.7	555	2.8	110.77	11119	14500	15000	15793	
1.1	2100	5.9	0.8	1766	0.9	352.25		14500	12129	18037	SK 9033.1 - 80T1/4
		7.8	1.1	1340	1.2	267.65	6393	14500	14562	17860	
		9.8	1.4	1076	1.4	214.83	8221	14500	15000	17508	
		13	1.8	838	1.8	167.45	9648	14500	15000	16949	
1.1	2100	3.3	0.5	3225	0.9	645.18	8297	40000	20868	33251	SK 9043.1 - 80T1/4
		3.7	0.5	2840	1.0	568.04	10475	40000	23236	33367	
		6.0	0.9	1753	1.6	350.72	14852	40000	28000	31539	
		7.5	1.1	1395	2.0	279.60	15948	40000	28000	30370	
		10	1.5	1021	2.7	204.38	16949	40000	28000	28599	
1.1	2100	2.0	0.3	5312	0.9	1062.85	11514	45000	31619	45000	SK 9053.1 - 80T1/4
		2.3	0.3	4657	1.0	931.87	17924	45000	34474	45000	
		3.0	0.4	3520	1.1	703.83	24293	45000	38000	45000	
		3.6	0.5	2904	1.7	579.95	26544	45000	38000	45000	
		4.6	0.7	2296	2.1	458.57	28213	45000	38000	45000	
		6.0	0.9	1745	2.8	348.91	29332	45000	38000	45000	
1.5	3000	31	3.1	465	0.9	97.36		20000	7538	20000	SK 9012.1 - 80T1/4D
		35	3.5	411	1.0	86.00	3655	20000	8050	20000	
		39	3.9	366	1.1	76.53	5170	19802	8408	19802	
		48	4.8	300	1.3	62.74	5847	19094	8841	19094	
		54	5.4	264	1.5	55.17	6131	18624	9000	18624	
		61	6.1	234	1.7	48.95	6334	18163	9000	18163	
		72	7.2	199	2.0	41.65	6529	17550	9000	17550	
		86	8.6	166	2.4	34.81	6682	16811	9000	16811	
		95	9.5	150	2.7	31.45	6746	16454	9000	16454	
1.5	2100	33	4.8	428	0.9	62.74	2809	20000	7901	20000	SK 9012.1 - 90T1/4
		38	5.4	377	1.1	55.17	4882	19899	8328	19899	
		43	6.1	334	1.2	48.95	5527	19481	8633	19481	
		50	7.2	285	1.4	41.65	5972	18906	8924	18906	
		60	8.6	238	1.7	34.81	6308	18174	9000	18174	
		67	9.5	215	1.9	31.45	6445	17840	9000	17840	
		76	11	189	2.1	27.65	6579	17348	9000	17348	
		86	12	167	2.4	24.53	6677	16874	9000	16874	
		100	14	143	2.8	20.87	6773	16255	9000	16255	
		171	24	83.7	2.6	12.23	6938	14084	9000	14084	
		193	28	74.1	2.7	10.85	6956	13656	9000	13656	

UNICASE Helical-bevel gear motors

P1	n1	n2 nom	n2 min	M2	fB	i	FR	FA	FR (VL)	FA (VL)	Gearmotor
[kW]	[rpm]	[rpm]	[rpm]	[Nm]			[N]	[N]	[N]	[N]	
1.5	3000	20	2.0	715	0.9	149.81	1389	20000	9000	20000	SK 9016.1 - 80T1/4D
		21	2.1	680	0.9	142.41	4155	20000	9000	20000	
		26	2.6	556	1.1	116.52	6325	20000	9000	20000	
		33	3.3	439	1.1	91.77	6969	20000	9000	20000	
		37	3.7	389	1.5	81.38	7195	19906	9000	19906	
		42	4.2	344	1.7	71.88	7389	19499	9000	19499	
		47	4.7	306	2.0	63.97	7543	19096	9000	19096	
		57	5.7	250	2.4	52.44	7756	18365	9000	18365	
65	6.5	220	2.8	46.11	7865	17888	9000	17888			
1.5	2100	26	3.7	555	1.1	81.38	6388	20000	9000	20000	SK 9016.1 - 90T1/4
		29	4.2	491	1.2	71.88	6719	20000	9000	20000	
		33	4.7	437	1.4	63.97	6977	20000	9000	20000	
		40	5.7	358	1.7	52.44	7330	19634	9000	19634	
		45	6.5	315	1.9	46.11	7506	19199	9000	19199	
		51	7.3	279	2.2	40.92	7649	18763	9000	18763	
		60	8.6	238	2.5	34.81	7803	18174	9000	18174	
		69	9.9	208	2.9	30.52	7911	17660	9000	17660	
1.5	3000	14	1.4	1047	0.8	219.25		12000		13101	SK 9022.1 - 80T1/4D
		16	1.6	881	1.0	184.46		12000	8000	12921	
		18	1.8	811	1.1	169.81		12000	8846	13007	
		22	2.2	657	1.3	137.57	5181	12000	10273	12784	
		26	2.6	553	1.6	115.74	6825	12000	10989	12440	
		30	3.0	472	1.8	98.88	7519	12000	11433	12253	
		35	3.5	407	2.1	85.11	7967	12000	11732	11962	
		38	3.8	376	2.3	78.89	8145	12000	11854	11803	
		45	4.5	317	2.7	66.42	8444	12000	12000	11435	
1.5	2100	15	2.2	939	0.9	137.57		12000	7164	13089	SK 9022.1 - 90T1/4
		18	2.6	790	1.1	115.74		12000	9078	12859	
		21	3.0	675	1.3	98.88	4422	12000	10134	12817	
		25	3.5	581	1.5	85.11	6533	12000	10810	12609	
		27	3.8	538	1.6	78.89	6968	12000	11078	12483	
		32	4.5	453	1.9	66.42	7658	12000	11525	12175	
		36	5.2	397	2.2	58.25	8025	12000	11772	11913	
		40	5.8	355	2.4	52.02	8259	12000	11933	11680	
		43	6.1	334	2.6	49.01	8365	12000	12000	11493	
		47	6.7	306	2.8	44.71	8496	12000	12000	11351	
1.5	3000	10	1.0	1414	1.1	295.85	5822	14500	14157	15776	SK 9032.1 - 80T1/4D
		12	1.2	1194	1.3	249.72	7388	14500	15000	15579	
		13	1.3	1118	1.4	233.92	7950	14500	15000	15581	
		15	1.5	944	1.6	197.45	8997	14500	15000	15272	
		27	2.7	530	2.9	110.77	11238	14500	15000	14053	

UNICASE Helical-bevel gear motors

P1	n1	n2 nom	n2 min	M2	fB	i	FR	FA	FR (VL)	FA (VL)	Gearmotor
[kW]	[rpm]	[rpm]	[rpm]	[Nm]			[N]	[N]	[N]	[N]	
1.5	2100	8.4	1.2	1705	0.9	249.72		14500	12408	15657	SK 9032.1 - 90T1/4
		9.0	1.3	1597	1.0	233.92		14500	13124	15789	
		11	1.5	1348	1.1	197.45	6267	14500	14449	15667	
		11	1.6	1284	1.2	188.06	6803	14500	14860	15721	
		13	1.9	1084	1.4	158.74	8123	14500	15000	15473	
		15	2.2	951	1.6	139.44	8993	14500	15000	15346	
		18	2.5	803	1.9	117.70	9808	14500	15000	14979	
		19	2.7	757	2.0	110.77	10096	14500	15000	14906	
		22	3.2	639	2.4	93.50	10679	14500	15000	14481	
		25	3.6	574	2.7	84.17	11027	14500	15000	14259	
		28	4.0	518	3.0	75.91	11294	14500	15000	13996	
1.5	2100	6.4	0.9	2248	1.2	329.69	13075	40000	26193	28966	SK 9042.1 - 90T1/4
		7.7	1.1	1868	1.5	273.73	14393	40000	27766	28165	
		8.9	1.3	1602	1.7	235.01	15333	40000	28000	27791	
		11	1.5	1331	2.1	195.12	16078	40000	28000	26834	
		13	1.8	1128	1.3	165.24	16679	40000	28000	26204	
		18	2.5	804	3.0	117.79	17464	40000	28000	24486	
1.5	3000	4.7	0.5	3078	0.9	645.18	9125	40000	21711	29171	SK 9043.1 - 80T1/4D
		5.3	0.5	2711	1.0	568.04	11094	40000	23912	29378	
		8.6	0.9	1673	1.7	350.72	15109	40000	28000	27967	
		11	1.1	1332	2.1	279.60	16128	40000	28000	26989	
		15	1.5	975	2.9	204.38	17063	40000	28000	25478	
1.5	2100	5.2	0.7	2759	1.0	404.82	10758	40000	23459	29087	SK 9043.1 - 90T1/4
		6.0	0.9	2390	1.2	350.72	12503	40000	25517	29123	
		7.5	1.1	1903	1.5	279.60	14346	40000	27751	28447	
		10	1.5	1392	2.0	204.38	15957	40000	28000	27192	
		12	1.7	1174	2.4	172.08	16558	40000	28000	26396	
1.5	2100	7.3	1.0	1975	2.4	289.61	28906	45000	38000	45000	SK 9052.1 - 90T1/4
		8.5	1.2	1687	2.8	247.06	29430	45000	38000	45000	
1.5	3000	2.8	0.3	5070	0.9	1062.85	14320	45000	32745	45000	SK 9053.1 - 80T1/4D
		3.2	0.3	4446	1.1	931.87	19416	45000	35273	45000	
		4.3	0.4	3360	1.2	703.83	24940	45000	38000	45000	
		5.2	0.5	2772	1.7	579.95	26949	45000	38000	45000	
		6.5	0.7	2192	2.2	458.57	28452	45000	38000	45000	
		8.6	0.9	1666	2.9	348.91	29465	45000	38000	45000	
1.5	2100	3.0	0.4	4800	0.8	703.83	16800	45000	33903	45000	SK 9053.1 - 90T1/4
		3.6	0.5	3960	1.2	579.95	22249	45000	36908	45000	
		4.6	0.7	3131	1.5	458.57	25786	45000	38000	45000	
		6.0	0.9	2379	2.0	348.91	28013	45000	38000	45000	
		7.9	1.1	1805	2.7	265.11	29227	45000	38000	45000	

UNICASE Helical-bevel gear motors

P1	n1	n2 nom	n2 min	M2	fB	i	FR	FA	FR (VL)	FA (VL)	Gearmotor
[kW]	[rpm]	[rpm]	[rpm]	[Nm]			[N]	[N]	[N]	[N]	
2.2	3000	48	4.8	439	0.9	62.74	2013	17701	7795	17701	SK 9012.1 - 90T1/4D
		54	5.4	387	1.0	55.17	4567	17398	8250	17398	
		61	6.1	343	1.2	48.95	5435	17077	8574	17077	
		72	7.2	292	1.4	41.65	5910	16625	8883	16625	
		86	8.6	244	1.6	34.81	6267	16019	9000	16019	
		95	9.5	220	1.8	31.45	6413	15755	9000	15755	
		108	11	194	2.1	27.65	6554	15346	9000	15346	
		122	12	172	2.3	24.53	6658	14948	9000	14948	
		143	14	147	2.7	20.87	6759	14423	9000	14423	
		245	24	85.9	2.6	12.23	6933	12531	9000	12531	
		276	28	76.1	2.6	10.85	6952	12159	9000	12159	
2.2	2100	43	6.1	489	0.8	48.95		17929	7275	17929	SK 9012.1 - 90T3/4
		50	7.2	417	1.0	41.65	3369	17583	7996	17583	
		60	8.6	349	1.1	34.81	5369	17041	8532	17041	
		67	9.5	315	1.3	31.45	5710	16843	8751	16843	
		76	11	277	1.4	27.65	6029	16469	8963	16469	
		86	12	246	1.6	24.53	6257	16096	9000	16096	
		100	14	209	1.9	20.87	6475	15591	9000	15591	
		120	17	175	2.2	17.45	6645	14964	9000	14964	
		138	20	153	2.5	15.30	6736	14522	9000	14522	
		171	24	123	1.8	12.23	6839	13630	9000	13630	
		193	28	109	1.8	10.85	6879	13254	9000	13254	
		227	32	92.7	2.1	9.23	6918	12763	9000	12763	
		260	37	80.9	2.2	8.09	6943	12347	9000	12347	
2.2	3000	37	3.7	570	1.1	81.38	6309	18055	9000	18055	SK 9016.1 - 90T1/4D
		42	4.2	504	1.2	71.88	6654	17863	9000	17863	
		47	4.7	449	1.4	63.97	6922	17639	9000	17639	
		57	5.7	367	1.7	52.44	7289	17173	9000	17173	
		65	6.5	323	1.9	46.11	7472	16838	9000	16838	
		73	7.3	286	2.1	40.92	7620	16495	9000	16495	
		86	8.6	244	2.5	34.81	7779	16019	9000	16019	
		99	9.9	213	2.8	30.52	7891	15597	9000	15597	
2.2	2100	29	4.2	720	0.8	71.88		18259	9000	18259	SK 9016.1 - 90T3/4
		33	4.7	641	1.0	63.97	5778	18187	9000	18187	
		40	5.7	524	1.2	52.44	6549	17930	9000	17930	
		45	6.5	462	1.3	46.11	6860	17698	9000	17698	
		51	7.3	409	1.5	40.92	7105	17435	9000	17435	
		60	8.6	349	1.7	34.81	7367	17041	9000	17041	
		69	9.9	305	2.0	30.52	7548	16672	9000	16672	
		80	11	263	2.3	26.29	7709	16246	9000	16246	
		91	13	232	2.2	23.11	7825	15858	9000	15858	
		102	15	205	2.8	20.51	7919	15475	9000	15475	

UNICASE Helical-bevel gear motors

P1	n1	n2 nom	n2 min	M2	fB	i	FR	FA	FR (VL)	FA (VL)	Gearmotor
[kW]	[rpm]	[rpm]	[rpm]	[Nm]			[N]	[N]	[N]	[N]	
2.2	3000	22	2.2	964	0.9	137.57		12000	6532	11100	SK 9022.1 - 90T1/4D
		26	2.6	811	1.1	115.74		12000	8851	10982	
		30	3.0	693	1.2	98.88	3450	12000	9987	11042	
		35	3.5	597	1.4	85.11	6362	12000	10708	10920	
		38	3.8	552	1.6	78.89	6831	12000	10993	10837	
		45	4.5	465	1.8	66.42	7570	12000	11467	10621	
		52	5.2	408	2.1	58.25	7961	12000	11729	10426	
		58	5.8	365	2.4	52.02	8209	12000	11898	10246	
		61	6.1	343	2.5	49.01	8161	12000	11976	10086	
		67	6.7	314	2.7	44.71	8095	12000	12000	9984	
2.2	2100	21	3.0	990	0.9	98.88		12000	5195	11088	SK 9022.1 - 90T3/4
		25	3.5	853	1.0	85.11		12000	8362	11118	
		27	3.8	789	1.1	78.89		12000	9087	11104	
		32	4.5	665	1.3	66.42	4861	12000	10212	11014	
		36	5.2	583	1.5	58.25	6519	12000	10802	10896	
		40	5.8	521	1.6	52.02	7118	12000	11173	10770	
		43	6.1	490	1.8	49.01	7380	12000	11342	10613	
		47	6.7	448	1.9	44.71	7695	12000	11550	10567	
		53	7.6	397	2.2	39.77	8026	12000	11773	10384	
		63	9.0	333	2.6	33.26	8122	12000	12000	10034	
		67	9.5	314	2.6	31.38	8098	12000	12000	9988	
		72	10	292	2.9	29.20	7994	12000	12000	9855	
2.2	3000	12	1.2	1751	0.9	249.72		14500	12134	13093	SK 9032.1 - 90T1/4D
		13	1.3	1640	0.9	233.92		14500	12877	13287	
		15	1.5	1384	1.1	197.45	5991	14500	14252	13306	
		16	1.6	1318	1.2	188.06	6553	14500	14677	13402	
		19	1.9	1113	1.4	158.74	7934	14500	15000	13282	
		22	2.2	977	1.6	139.44	8841	14500	15000	13252	
		25	2.5	825	1.9	117.70	9688	14500	15000	13000	
		27	2.7	777	2.0	110.77	9988	14500	15000	12966	
		32	3.2	656	2.4	93.50	10051	14500	15000	12646	
		36	3.6	589	2.6	84.17	9957	14500	15000	12488	
		40	4.0	532	2.9	75.91	9809	14500	15000	12282	
		2.2	2100	11	1.6	1883	0.8	188.06		14500	
13	1.9			1590	1.0	158.74		14500	13088	13215	
15	2.2			1395	1.1	139.44	5965	14500	14258	13392	
18	2.5			1178	1.3	117.70	7494	14500	15000	13306	
19	2.7			1110	1.4	110.77	8002	14500	15000	13352	
22	3.2			937	1.7	93.50	9038	14500	15000	13150	
25	3.6			842	1.8	84.17	9628	14500	15000	13080	
28	4.0			760	2.0	75.91	10081	14500	15000	12932	
33	4.7			641	2.4	64.08	10025	14500	15000	12606	
36	5.1			592	2.6	59.17	9962	14500	15000	12496	

UNICASE Helical-bevel gear motors

P1	n1	n2 nom	n2 min	M2	fB	i	FR	FA	FR (VL)	FA (VL)	Gearmotor
[kW]	[rpm]	[rpm]	[rpm]	[Nm]			[N]	[N]	[N]	[N]	
2.2	3000	9.1	0.9	2308	1.2	329.69	12838	40000	25910	24935	SK 9042.1 - 90T1/4D
		11	1.1	1917	1.5	273.73	14219	40000	27546	24372	
		13	1.3	1644	1.7	235.01	15199	40000	28000	24193	
		15	1.5	1366	2.0	195.12	15977	40000	28000	23445	
		18	1.8	1158	1.3	165.24	16601	40000	28000	22998	
		25	2.5	825	2.9	117.79	17415	40000	28000	21611	
2.2	2100	6.4	0.9	3297	0.8	329.69	7999	40000	20686	24990	SK 9042.1 - 90T3/4
		7.7	1.1	2739	1.0	273.73	10854	40000	23566	24761	
		8.9	1.3	2349	1.2	235.01	12671	40000	25714	24958	
		11	1.5	1952	1.4	195.12	14098	40000	27393	24408	
		13	1.8	1654	0.9	165.24	15169	40000	28000	24210	
		18	2.5	1179	2.0	117.79	16545	40000	28000	23066	
		22	3.1	956	2.9	95.56	17108	40000	28000	22233	
2.2	3000	7.4	0.7	2833	1.0	404.82	10399	40000	23067	24754	SK 9043.1 - 90T1/4D
		8.6	0.9	2454	1.1	350.72	12236	40000	25208	25007	
		11	1.1	1954	1.4	279.60	14169	40000	27529	24636	
		15	1.5	1429	2.0	204.38	15850	40000	28000	23756	
		17	1.7	1205	2.3	172.08	16475	40000	28000	23148	
2.2	2100	7.5	1.1	2791	1.0	279.60	10717	40000	23497	25080	SK 9043.1 - 90T3/4
		10	1.5	2042	1.4	204.38	13852	40000	27136	24728	
		12	1.7	1721	1.6	172.08	14954	40000	28000	24322	
2.2	3000	10	1.0	2028	2.4	289.61	28801	45000	38000	45000	SK 9052.1 - 90T1/4D
		12	1.2	1732	2.8	247.06	29354	45000	38000	45000	
2.2	2100	7.3	1.0	2897	1.7	289.61	26565	45000	38000	45000	SK 9052.1 - 90T3/4
		8.5	1.2	2475	1.9	247.06	27773	45000	38000	45000	
		14	2.1	1454	2.5	145.16	29788	45000	38000	45000	
2.2	3000	4.3	0.4	4928	0.8	703.83	15692	45000	33368	45000	SK 9053.1 - 90T1/4D
		5.2	0.5	4066	1.2	579.95	21691	45000	36574	45000	
		6.5	0.7	3215	1.5	458.57	25488	45000	38000	45000	
		8.6	0.9	2443	2.0	348.91	27854	45000	38000	45000	
		11	1.1	1853	2.6	265.11	29140	45000	38000	45000	
		13	1.3	1604	3.0	229.07	29565	45000	38000	45000	
2.2	2100	4.6	0.7	4592	1.0	458.57	18402	45000	34725	45000	SK 9053.1 - 90T3/4
		6.0	0.9	3490	1.4	348.91	24418	45000	38000	45000	
		7.9	1.1	2648	1.8	265.11	27308	45000	38000	45000	
		9.2	1.3	2291	2.1	229.07	28226	45000	38000	45000	
		13	1.8	1651	2.9	164.99	29489	45000	38000	45000	

UNICASE Helical-bevel gear motors

P1	n1	n2 nom	n2 min	M2	fB	i	FR	FA	FR (VL)	FA (VL)	Gearmotor
[kW]	[rpm]	[rpm]	[rpm]	[Nm]			[N]	[N]	[N]	[N]	
3	2100	60	8.6	476	0.8	34.81		15747	7429	15747	SK 9012.1 - 100T2/4
		67	9.5	429	0.9	31.45	2722	15701	7888	15701	
		76	11	378	1.1	27.65	4844	15464	8318	15464	
		86	12	335	1.2	24.53	5516	15206	8625	15206	
		100	14	286	1.4	20.87	5964	14833	8919	14833	
		120	17	239	1.6	17.45	6303	14315	9000	14315	
		138	20	208	1.8	15.30	6481	13956	9000	13956	
		171	24	167	1.3	12.23	6678	13112	9000	13112	
		193	28	148	1.3	10.85	6754	12795	9000	12795	
		227	32	126	1.5	9.23	6828	12371	9000	12371	
		260	37	110	1.6	8.09	6875	12006	9000	12006	
3	3000	61	6.1	467	0.9	48.95		15836	7518	15836	SK 9012.1 - 90T3/4D
		72	7.2	398	1.0	41.65	4166	15566	8157	15566	
		86	8.6	333	1.2	34.81	5536	15113	8638	15113	
		95	9.5	301	1.3	31.45	5839	14957	8835	14957	
		108	11	265	1.5	27.65	6124	14644	9000	14644	
		122	12	234	1.7	24.53	6329	14326	9000	14326	
		143	14	200	2.0	20.87	6525	13892	9000	13892	
		172	17	167	2.3	17.45	6679	13345	9000	13345	
		196	20	146	2.6	15.30	6762	12961	9000	12961	
		245	24	117	1.9	12.23	6856	12167	9000	12167	
		276	28	104	1.9	10.85	6892	11838	9000	11838	
		324	32	88.5	2.2	9.23	6928	11408	9000	11408	
		371	37	77.2	2.3	8.09	6950	11042	8743	11042	
3	2100	40	5.7	715	0.9	52.44	1455	15987	9000	15987	SK 9016.1 - 100T2/4
		45	6.5	630	1.0	46.11	5976	15986	9000	15986	
		51	7.3	558	1.1	40.92	6376	15919	9000	15919	
		60	8.6	476	1.3	34.81	6794	15747	9000	15747	
		69	9.9	415	1.4	30.52	7077	15541	9000	15541	
		80	11	359	1.7	26.29	7325	15269	9000	15269	
		91	13	316	1.6	23.11	7502	14998	9000	14998	
		102	15	280	2.1	20.51	7645	14714	9000	14714	
		120	17	239	2.3	17.45	7800	14315	9000	14315	
		138	20	208	2.5	15.10	7908	13956	9000	13956	

UNICASE Helical-bevel gear motors

P1	n1	n2 nom	n2 min	M2	fB	i	FR	FA	FR (VL)	FA (VL)	Gearmotor
[kW]	[rpm]	[rpm]	[rpm]	[Nm]			[N]	[N]	[N]	[N]	
3	3000	42	4.2	687	0.9	71.88	3787	15995	9000	15995	SK 9016.1 - 90T3/4D
		47	4.7	612	1.0	63.97	6079	15976	9000	15976	
		57	5.7	501	1.2	52.44	6670	15811	9000	15811	
		65	6.5	441	1.4	46.11	6959	15638	9000	15638	
		73	7.3	390	1.5	40.92	7188	15432	9000	15432	
		86	8.6	333	1.8	34.81	7433	15113	9000	15113	
		99	9.9	291	2.1	30.52	7603	14805	9000	14805	
		114	11	251	2.4	26.29	7753	14447	9000	14447	
		130	13	221	2.4	23.11	7863	14116	9000	14116	
		146	15	196	3.0	20.51	7952	13788	9000	13788	
3	2100	32	4.5	907	0.9	66.42		12000	7645	9685	SK 9022.1 - 100T2/4
		36	5.2	795	1.1	58.25		12000	9026	9732	
		40	5.8	711	1.2	52.02	1998	12000	9832	9728	
		43	6.1	668	1.3	49.01	4714	12000	10185	9606	
		47	6.7	611	1.4	44.71	6196	12000	10610	9672	
		53	7.6	542	1.6	39.77	6933	12000	11056	9590	
		63	9.0	454	1.9	33.26	7350	12000	11523	9351	
		67	9.5	429	1.9	31.38	7388	12000	11638	9360	
		72	10	399	2.2	29.20	7334	12000	11767	9271	
		80	11	357	2.4	26.07	7237	12000	11928	9126	
		85	12	335	2.6	24.56	7123	12000	12000	8986	
		93	13	307	2.5	22.41	7084	12000	12000	8908	
		105	15	272	2.8	19.93	6945	11914	12000	8724	
		129	18	222	2.8	16.30	6561	11232	12000	8268	
144	21	199	2.9	14.56	6427	10986	12000	8095			
3	3000	30	3.0	945	0.9	98.88		12000	7070	9658	SK 9022.1 - 90T3/4D
		35	3.5	814	1.1	85.11		12000	8816	9728	
		38	3.8	753	1.1	78.89		12000	9446	9735	
		45	4.5	635	1.4	66.42	5903	12000	10442	9691	
		52	5.2	556	1.5	58.25	6792	12000	10969	9611	
		58	5.8	498	1.7	52.02	7320	12000	11303	9516	
		61	6.1	468	1.8	49.01	7364	12000	11455	9381	
		67	6.7	428	2.0	44.71	7386	12000	11642	9357	
		76	7.6	379	2.3	39.77	7292	12000	11844	9208	
		90	9.0	318	2.7	33.26	7070	12000	12000	8911	
		95	9.5	300	2.7	31.38	7060	12000	12000	8876	

UNICASE Helical-bevel gear motors

P1	n1	n2 nom	n2 min	M2	fB	i	FR	FA	FR (VL)	FA (VL)	Gearmotor
[kW]	[rpm]	[rpm]	[rpm]	[Nm]			[N]	[N]	[N]	[N]	
3	2100	19	2.7	1513	1.0	110.77	3489	14500	13602	11577	SK 9032.1 - 100T2/4
		22	3.2	1278	1.2	93.50	6791	14500	14830	11629	
		25	3.6	1148	1.4	84.17	7748	14500	15000	11734	
		28	4.0	1036	1.5	75.91	8477	14500	15000	11717	
		33	4.7	875	1.8	64.08	8847	14500	15000	11565	
		36	5.1	807	1.9	59.17	8889	14500	15000	11550	
		42	6.0	681	2.3	49.94	8763	14500	15000	11311	
		44	6.3	650	2.4	47.70	8774	14500	15000	11292	
		52	7.4	551	2.8	40.36	8623	14500	15000	11041	
		55	7.9	520	3.0	38.05	8560	14500	15000	10946	
3	3000	15	1.5	1888	0.8	197.45		14197	11289	11058	SK 9032.1 - 90T3/4D
		16	1.6	1797	0.9	188.06		14500	11937	11292	
		19	1.9	1518	1.0	158.74	3224	14500	13505	11476	
		22	2.2	1332	1.2	139.44	6449	14500	14602	11690	
		25	2.5	1125	1.4	117.70	7856	14500	15000	11661	
		27	2.7	1059	1.5	110.77	8327	14500	15000	11724	
		32	3.2	895	1.7	93.50	8846	14500	15000	11581	
		36	3.6	804	1.9	84.17	8888	14500	15000	11546	
		40	4.0	725	2.1	75.91	8845	14500	15000	11433	
		47	4.7	612	2.5	64.08	8685	14500	15000	11166	
		51	5.1	565	2.7	59.17	8649	14500	15000	11082	
3	2100	8.9	1.3	3204	0.9	235.01	8548	40000	21229	21720	SK 9042.1 - 100T2/4
		11	1.5	2661	1.1	195.12	11218	40000	23972	21636	
		13	1.9	2182	1.3	159.94	13331	40000	26501	21907	
		16	2.3	1813	1.5	132.79	14581	40000	28000	21466	
		18	2.5	1607	1.5	117.79	15316	40000	28000	21441	
		22	3.1	1304	2.1	95.56	16206	40000	28000	20916	
		24	3.5	1180	2.4	86.43	16541	40000	28000	20623	
		28	3.9	1038	2.7	76.18	16907	40000	28000	20214	
		31	4.4	935	3.0	68.61	17159	40000	28000	19859	
3	3000	9.1	0.9	3147	0.9	329.69	8867	40000	21550	21754	SK 9042.1 - 90T3/4D
		11	1.1	2615	1.1	273.73	11432	40000	24213	21649	
		13	1.3	2242	1.2	235.01	13097	40000	26219	21927	
		15	1.5	1863	1.5	195.12	14408	40000	27786	21504	
		18	1.8	1579	1.0	165.24	15403	40000	28000	21402	
		25	2.5	1125	2.1	117.79	16686	40000	28000	20475	
3	2100	10	1.5	2785	1.0	204.38	10747	40000	23530	21913	SK 9043.1 - 100T2/4
		12	1.7	2347	1.2	172.08	12678	40000	25723	21949	

P1	n1	n2 nom	n2 min	M2	fB	i	FR	FA	FR (VL)	FA (VL)	Gearmotor
[kW]	[rpm]	[rpm]	[rpm]	[Nm]			[N]	[N]	[N]	[N]	
3	3000	8.6	0.9	3346	0.8	350.72	7701	40000	20396	21625	SK 9043.1 - 90T3/4D
		11	1.1	2664	1.1	279.60	11312	40000	24155	21942	
		15	1.5	1949	1.4	204.38	14184	40000	27548	21785	
		17	1.7	1643	1.7	172.08	15203	40000	28000	21488	
3	2100	7.3	1.0	3951	1.2	289.61	22295	45000	36936	45000	SK 9052.1 - 100T2/4
		8.5	1.2	3375	1.4	247.06	24883	45000	38000	45000	
		11	1.5	2706	1.8	198.38	27142	45000	38000	45000	
		12	1.8	2311	2.1	169.24	28177	45000	38000	45000	
		14	2.1	1982	1.8	145.16	28893	45000	38000	45000	
		17	2.5	1637	2.9	120.03	29511	45000	38000	45000	
3	3000	10	1.0	2766	1.7	289.61	26968	45000	38000	45000	SK 9052.1 - 90T3/4D
		12	1.2	2362	2.0	247.06	28055	45000	38000	45000	
		21	2.1	1387	2.6	145.16	29879	45000	38000	45000	
3	2100	6	0.9	4759	1.0	348.91	17134	45000	34070	45000	SK 9053.1 - 100T2/4
		7.9	1.1	3610	1.3	265.11	23907	45000	37931	45000	
		9.2	1.3	3124	1.5	229.07	25812	45000	38000	45000	
		13	1.8	2251	2.1	164.99	28318	45000	38000	45000	
3	3000	6.5	0.7	4384	1.1	458.57	19819	45000	35496	45000	SK 9053.1 - 90T3/4D
		8.6	0.9	3331	1.4	348.91	25051	45000	38000	45000	
		11	1.1	2527	1.9	265.11	27636	45000	38000	45000	
		13	1.3	2187	2.2	229.07	28463	45000	38000	45000	
4	3000	86	8.6	444	0.9	34.81	1587	13980	7752	13980	SK 9012.1 - 100T2/4D
		95	9.5	401	1.0	31.45	4078	13958	8138	13958	
		108	11	353	1.1	27.65	5322	13764	8503	13764	
		122	12	313	1.3	24.53	5732	13547	8765	13547	
		143	14	267	1.5	20.87	6111	13228	9000	13228	
		172	17	223	1.7	17.45	6400	12778	9000	12778	
		196	20	194	2.0	15.30	6553	12466	9000	12466	
		245	24	156	1.4	12.23	6723	11713	9000	11713	
		276	28	138	1.4	10.85	6789	11436	9000	11436	
		324	32	118	1.7	9.23	6853	11065	8822	11065	
		371	37	103	1.7	8.09	6894	10743	8548	10743	
4	2100	86	12	446	0.9	24.53	1271	14094	7727	14094	SK 9012.1 - 100T5/4
		100	14	381	1.1	20.87	4765	13884	8298	13884	
		120	17	318	1.2	17.45	5680	13503	8731	13503	
		138	20	278	1.4	15.30	6026	13247	8960	13247	
		171	24	223	1.0	12.23	6397	12462	9000	12462	
		193	28	198	1.0	10.85	6537	12221	9000	12221	
		227	32	168	1.2	9.23	6673	11882	9000	11882	
		260	37	147	1.2	8.09	6758	11578	9000	11578	

P1	n1	n2 nom	n2 min	M2	fB	i	FR	FA	FR (VL)	FA (VL)	Gearmotor
[kW]	[rpm]	[rpm]	[rpm]	[Nm]			[N]	[N]	[N]	[N]	
4	3000	57	5.7	667	0.9	52.44	4755	14111	9000	14111	SK 9016.1 - 100T2/4D
		65	6.5	588	1.0	46.11	6212	14140	9000	14140	
		73	7.3	520	1.2	40.92	6570	14105	9000	14105	
		86	8.6	444	1.4	34.81	6945	13980	9000	13980	
		99	9.9	388	1.5	30.52	7200	13817	9000	13817	
		114	11	335	1.8	26.29	7425	13592	9000	13592	
		130	13	295	1.8	23.11	7586	13364	9000	13364	
		146	15	261	2.2	20.51	7716	13121	9000	13121	
		172	17	223	2.4	17.45	7857	12778	9000	12778	
		196	20	194	2.7	15.10	7957	12466	9000	12466	
4	2100	51	7.3	743	0.8	40.92		14024	9000	14024	SK 9016.1 - 100T5/4
		60	8.6	634	0.9	34.81	5951	14131	9000	14131	
		69	9.9	554	1.1	30.52	6397	14130	9000	14130	
		80	11	478	1.3	26.29	6780	14048	9000	14048	
		91	13	421	1.2	23.11	7049	13923	9000	13923	
		102	15	373	1.6	20.51	7264	13762	9000	13762	
		120	17	318	1.7	17.45	7493	13503	9000	13503	
		138	20	278	1.9	15.10	7653	13247	9000	13247	
		168	24	227	2.3	12.51	7818	12720	9000	12720	
4	3000	38	3.8	1004	0.9	78.89		10717	4254	8355	SK 9022.1 - 100T2/4D
		45	4.5	846	1.0	66.42		11111	8440	8529	
		52	5.2	742	1.2	58.25		11293	9555	8592	
		58	5.8	663	1.3	52.02	4924	11375	10224	8605	
		61	6.1	624	1.4	49.01	6042	11229	10521	8499	
		67	6.7	570	1.5	44.71	6499	11401	10880	8573	
		76	7.6	505	1.7	39.77	6506	11361	11261	8514	
		90	9.0	424	2.0	33.26	6394	11109	11661	8313	
		95	9.5	400	2.0	31.38	6439	11162	11760	8328	
		103	10	372	2.3	29.20	6399	11073	11871	8255	
		115	11	333	2.6	26.07	6325	10918	12000	8132	
		122	12	313	2.7	24.56	6227	10738	12000	8008	
		133	13	286	2.7	22.41	6203	10675	12000	7947	
		151	15	254	3.0	19.93	6090	10459	12000	7787	
		184	18	207	3.0	16.30	5757	9866	12000	7383	

UNICASE Helical-bevel gear motors

P1	n1	n2 nom	n2 min	M2	fB	i	FR	FA	FR (VL)	FA (VL)	Gearmotor
[kW]	[rpm]	[rpm]	[rpm]	[Nm]			[N]	[N]	[N]	[N]	
4	2100	36	5.2	1059	0.8	58.25		10550		8276	SK 9022.1 - 100T5/4
		40	5.8	948	0.9	52.02		10872	7019	8427	
		43	6.1	891	1.0	49.01		10773	7864	8347	
		47	6.7	815	1.1	44.71		11173	8805	8553	
		53	7.6	722	1.2	39.77		11318	9733	8598	
		63	9.0	605	1.4	33.26	6265	11239	10651	8496	
		67	9.5	572	1.4	31.38	6498	11402	10872	8574	
		72	10	531	1.6	29.20	6507	11384	11115	8542	
		80	11	475	1.8	26.07	6498	11323	11417	8473	
		85	12	447	1.9	24.56	6409	11154	11555	8355	
		93	13	409	1.9	22.41	6449	11186	11725	8348	
		105	15	362	2.1	19.93	6383	11038	11908	8226	
		120	17	319	2.3	17.52	6103	10539	12000	7896	
		129	18	296	2.1	16.30	6057	10443	12000	7819	
		144	21	265	2.2	14.56	5976	10281	12000	7693	
168	24	228	2.4	12.51	5847	10033	12000	7506			
189	27	202	2.6	11.13	5731	9817	12000	7347			
4	3000	27	2.7	1413	1.1	110.77	5831	13015	14164	10169	SK 9032.1 - 100T2/4D
		32	3.2	1193	1.3	93.50	7340	13289	15000	10250	
		36	3.6	1072	1.4	84.17	7553	13571	15000	10367	
		40	4.0	967	1.6	75.91	7641	13652	15000	10369	
		47	4.7	816	1.9	64.08	7654	13580	15000	10256	
		51	5.1	753	2.1	59.17	7710	13633	15000	10254	
		60	6.0	636	2.4	49.94	7624	13412	15000	10058	
		63	6.3	607	2.6	47.70	7643	13424	15000	10047	
4	2100	22	3.2	1704	0.9	93.50		12097	12416	9727	SK 9032.1 - 100T5/4
		25	3.6	1531	1.0	84.17	2162	12741	13504	10049	
		28	4.0	1381	1.1	75.91	6077	13082	14337	10198	
		33	4.7	1166	1.3	64.08	7374	13330	15000	10264	
		36	5.1	1076	1.4	59.17	7548	13567	15000	10366	
		42	6.0	908	1.7	49.94	7617	13575	15000	10298	
		44	6.3	867	1.8	47.70	7694	13678	15000	10339	
		52	7.4	734	2.1	40.36	7707	13616	15000	10234	
		55	7.9	693	2.2	38.05	7696	13570	15000	10184	
		59	8.4	648	2.4	35.61	7632	13433	15000	10077	
		71	10	540	2.8	29.66	7569	13253	15000	9902	

UNICASE Helical-bevel gear motors

P1	n1	n2 nom	n2 min	M2	fB	i	FR	FA	FR (VL)	FA (VL)	Gearmotor
[kW]	[rpm]	[rpm]	[rpm]	[Nm]			[N]	[N]	[N]	[N]	
4	3000	13	1.3	2990	0.9	235.01	9718	40000	22429	19091	SK 9042.1 - 100T2/4D
		15	1.5	2484	1.1	195.12	12009	40000	24877	19079	
		19	1.9	2036	1.4	159.94	13873	40000	27162	19397	
		23	2.3	1692	1.7	132.79	14982	40000	28000	19041	
		25	2.5	1500	1.6	117.79	15642	40000	28000	19053	
		31	3.1	1217	2.3	95.56	16443	40000	28000	18622	
		35	3.5	1101	2.5	86.43	16747	40000	28000	18375	
		39	3.9	969	2.9	76.18	17077	40000	28000	18026	
4	2100	13	1.9	2909	1.0	159.94	10134	40000	22869	19150	SK 9042.1 - 100T5/4
		16	2.3	2417	1.2	132.79	12296	40000	25211	19105	
		18	2.5	2143	1.1	117.79	13479	40000	26679	19410	
		22	3.1	1738	1.6	95.56	14899	40000	28000	19269	
		24	3.5	1573	1.8	86.43	15420	40000	28000	19132	
		28	3.9	1384	2.0	76.18	15981	40000	28000	18903	
		31	4.4	1246	2.2	68.61	16364	40000	28000	18678	
		33	4.7	1150	2.4	63.25	16575	40000	28000	18351	
4	3000	15	1.5	2599	1.1	204.38	11606	40000	24485	19322	SK 9043.1 - 100T2/4D
		17	1.7	2191	1.3	172.08	13296	40000	26458	19412	
4	2100	12	1.7	3130	0.9	172.08	8965	40000	21648	18981	SK 9043.1 - 100T5/4
4	3000	10	1.0	3688	1.3	289.61	23564	45000	37715	45000	SK 9052.1 - 100T2/4D
		12	1.2	3150	1.5	247.06	25722	45000	38000	45000	
		15	1.5	2526	1.9	198.38	27640	45000	38000	45000	
		18	1.8	2157	2.2	169.24	28528	45000	38000	45000	
		21	2.1	1850	1.9	145.16	29145	45000	38000	45000	
4	2100	7.3	1.0	5268	0.9	289.61	12084	45000	31831	45000	SK 9052.1 - 100T5/4
		8.5	1.2	4499	1.1	247.06	19054	45000	35075	45000	
		11	1.5	3608	1.3	198.38	23916	45000	37936	45000	
		12	1.8	3082	1.6	169.24	25958	45000	38000	45000	
		14	2.1	2643	1.4	145.16	27321	45000	38000	45000	
		17	2.5	2183	2.2	120.03	28472	45000	38000	45000	
		20	2.9	1864	2.6	102.40	29119	45000	38000	45000	
		24	3.4	1603	3.0	88.17	29566	45000	38000	45000	
4	3000	8.6	0.9	4442	1.1	348.91	19442	45000	35287	45000	SK 9053.1 - 100T2/4D
		11	1.1	3370	1.4	265.11	24902	45000	38000	45000	
		13	1.3	2916	1.6	229.07	26507	45000	38000	45000	
		18	1.8	2101	2.3	164.99	28649	45000	38000	45000	

UNICASE Helical-bevel gear motors

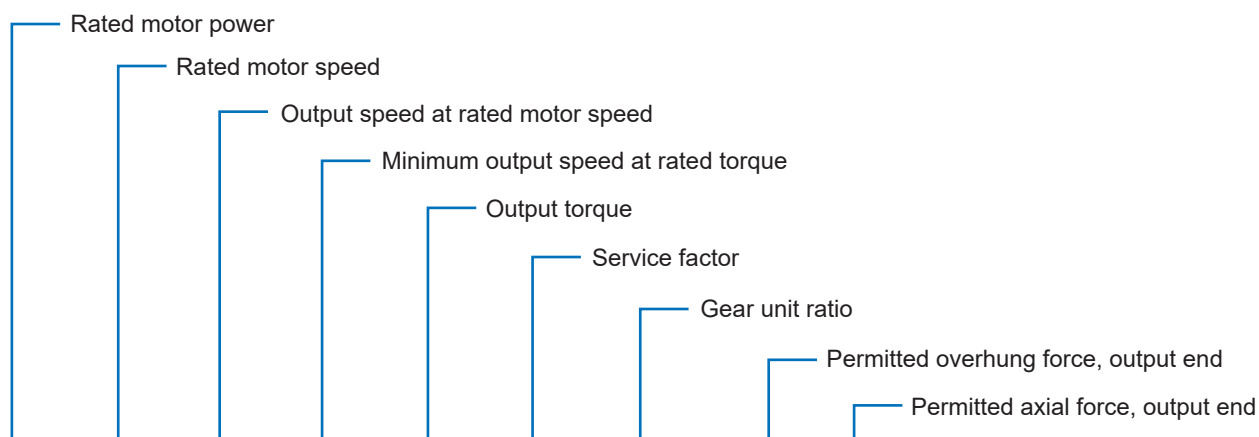
P1	n1	n2 nom	n2 min	M2	fB	i	FR	FA	FR (VL)	FA (VL)	Gearmotor
[kW]	[rpm]	[rpm]	[rpm]	[Nm]			[N]	[N]	[N]	[N]	
4	2100	7.9	1.1	4814	1.0	265.11	16686	45000	33847	45000	SK 9053.1 - 100T5/4
		9.2	1.3	4165	1.2	229.07	21138	45000	36249	45000	
		13	1.8	3002	1.6	164.99	26228	45000	38000	45000	
5.5	3000	52	5.2	1020	0.8	58.25		8604	2868	7064	SK 9022.1 - 100T5/4D
		58	5.8	912	0.9	52.02		8970	7566	7238	
		61	6.1	858	1.0	49.01		8904	8300	7176	
		67	6.7	784	1.1	44.71		9333	9133	7399	
		76	7.6	695	1.2	39.77	3301	9528	9968	7472	
		90	9.0	583	1.5	33.26	5381	9531	10802	7415	
		95	9.5	550	1.5	31.38	5505	9711	11005	7503	
		103	10	512	1.7	29.20	5531	9724	11228	7488	
		115	11	458	1.9	26.07	5549	9711	11505	7446	
		122	12	430	2.0	24.56	5478	9572	11631	7345	
		133	13	393	2.0	22.41	5536	9637	11788	7357	
		151	15	349	2.2	19.93	5500	9540	11957	7264	
		171	17	307	2.3	17.52	5257	9104	12000	6971	
		184	18	285	2.2	16.30	5228	9037	12000	6911	
		206	21	255	2.3	14.56	5171	8868	12000	6809	
239	24	219	2.5	12.51	5075	8479	12000	6656			
270	27	194	2.7	11.13	4986	8171	12000	6523			
5.5	3000	32	3.2	1640	0.9	93.50		9730	12796	8253	SK 9032.1 - 100T5/4D
		36	3.6	1473	1.1	84.17	5342	10417	13827	8598	
		40	4.0	1329	1.2	75.91	5833	10807	14618	8774	
		47	4.7	1122	1.4	64.08	6109	11144	15000	8889	
		51	5.1	1036	1.5	59.17	6302	11416	15000	9012	
		60	6.0	874	1.8	49.94	6420	11514	15000	8993	
		63	6.3	835	1.9	47.70	6509	11637	15000	9045	
		74	7.4	707	2.2	40.36	6571	11660	15000	8989	
		79	7.9	667	2.3	38.05	6576	11643	15000	8955	
		84	8.4	624	2.5	35.61	6532	11542	15000	8870	
		101	10	520	2.9	29.66	6520	11451	15000	8745	
		5.5	3000	15	1.5	3415	0.8	195.12	7131	40000	
19	1.9			2800	1.0	159.94	10673	40000	23450	16501	
23	2.3			2326	1.2	132.79	12672	40000	25653	16563	
25	2.5			2063	1.2	117.79	13777	40000	27044	16921	
31	3.1			1673	1.7	95.56	15109	40000	28000	16892	
35	3.5			1514	1.8	86.43	15599	40000	28000	16809	
39	3.9			1332	2.1	76.18	16128	40000	28000	16649	
44	4.4			1200	2.3	68.61	16489	39917	28000	16480	
47	4.7			1107	2.5	63.25	16689	39159	28000	16202	
54	5.4			975	2.9	55.69	17063	38462	28000	16063	

UNICASE Helical-bevel gear motors

UNICASE Helical-bevel gear motors

P1	n1	n2 nom	n2 min	M2	fB	i	FR	FA	FR (VL)	FA (VL)	Gearmotor
[kW]	[rpm]	[rpm]	[rpm]	[Nm]			[N]	[N]	[N]	[N]	
5.5	3000	10	1.0	5070	0.9	289.61	14320	45000	32745	45000	SK 9052.1 - 100T5/4D
		12	1.2	4331	1.1	247.06	20153	45000	35684	45000	
		15	1.5	3473	1.4	198.38	24489	45000	38000	45000	
		18	1.8	2966	1.6	169.24	26344	45000	38000	45000	
		21	2.1	2544	1.4	145.16	27592	45000	38000	45000	
		25	2.5	2101	2.3	120.03	28649	45000	38000	45000	
		29	2.9	1795	2.7	102.40	29246	45000	38000	45000	

UNICASE Parallel shaft gear motors



P1	n1	n2 nom	n2 min	M2	fB	i	FR	FA	FR (VL)	FA (VL)	Gearmotor
[kW]	[rpm]	[rpm]	[rpm]	[Nm]			[N]	[N]	[N]	[N]	
1.1	2100	29	4.2	361	0.8	72.17	3617	7150	8446	7200	SK 1282 - 80T1/4
		36	5.1	295	1.0	58.89	3632	7150	8869	7200	
		43	6.1	246	1.1	49.25	3616	7150	9114	7200	
		51	7.3	205	1.1	41.07	3539	7150	9284	7200	
		65	9.4	160	1.4	32.08	3526	7150	9431	7200	
		74	11	142	1.6	28.33	3465	7150	9481	7200	
		83	12	126	1.8	25.22	3401	7132	9518	7200	
		102	15	103	2.2	20.57	3267	6820	9565	7200	
		122	17	86.1	2.6	17.21	3145	6543	9593	7200	
		149	21	70.5	3.0	14.11	3011	6243	9615	7200	
1.1	2100	21	3.0	505	0.9	100.98	8287	12000	12767	15000	SK 2282 - 80T1/4
		25	3.6	412	1.2	82.42	8939	12000	12924	15000	
		30	4.3	349	1.3	69.67	9024	12000	13021	15000	
		33	4.7	319	1.6	63.83	8894	12000	13066	15000	
		39	5.6	270	1.9	53.96	8574	12000	13131	15000	
		47	6.6	226	2.0	45.11	8214	12000	13183	15000	
		56	8.1	186	2.5	37.18	7883	12000	13232	15000	
1.1	2100	18	2.6	582	0.9	116.35	6867	12000	12339	15000	SK 2382 - 80T1/4
		21	3.0	492	1.1	98.35	8389	12000	12783	15000	
		26	3.6	412	1.4	82.22	8945	12000	12918	15000	
1.1	2100	19	2.7	561	1.4	112.23	11263	14500	14138	20000	SK 3282 - 80T1/4
		21	3.0	504	1.6	100.88	11206	14500	14202	20000	
		24	3.4	444	2.1	88.74	10955	14500	14268	20000	
		26	3.8	399	2.1	79.76	10698	14500	14312	20000	
		30	4.3	353	1.6	70.56	10348	14500	14350	20000	
		32	4.6	330	2.3	65.89	10229	14500	14371	20000	
		38	5.4	279	2.3	55.79	9813	14500	14410	20000	
		44	6.3	240	2.3	48.04	9440	14500	14437	20000	

UNICASE Parallel shaft gear motors

UNICASE Parallel shaft gear motors

P1	n1	n2 nom	n2 min	M2	fB	i	FR	FA	FR (VL)	FA (VL)	Gearmotor
[kW]	[rpm]	[rpm]	[rpm]	[Nm]			[N]	[N]	[N]	[N]	
1.1	2100	9.1	1.3	1154	0.9	230.83	8799	14500	13112	20000	SK 3382 - 80T1/4
		11	1.6	954	0.9	190.69	9750	14500	13524	20000	
		13	1.9	807	1.0	161.46	10345	14500	13778	20000	
		17	2.4	635	1.2	126.93	10979	14500	14035	20000	
		20	2.9	520	1.4	104.05	11164	14500	14179	20000	
		23	3.4	447	1.4	89.60	10815	14500	14255	20000	
1.1	2100	5.1	0.7	2064	1.0	412.38	16177	22000	22494	30000	SK 4382 - 80T1/4
		5.4	0.8	1956	1.0	390.76	16550	22000	22643	30000	
		6.1	0.9	1725	1.0	344.84	17279	22000	22938	30000	
		6.4	0.9	1635	1.2	326.81	17552	22000	23044	30000	
		6.9	1.0	1515	1.4	302.65	17917	22000	23179	30000	
		7.7	1.1	1363	1.2	272.54	18263	22000	23326	30000	
		8.3	1.2	1266	1.5	253.12	18566	22000	23425	30000	
		10	1.4	1056	1.5	211.09	19032	22000	23602	30000	
		11	1.6	958	2.1	191.57	19302	22000	23683	30000	
		13	1.9	800	2.1	160.20	19443	22000	23790	30000	
		15	2.1	703	2.8	140.60	18921	22000	23850	30000	
1.1	2100	3.0	0.4	3500	0.9	700.03	23499	32000	34863	40000	SK 5382 - 80T1/4
		3.7	0.5	2854	1.0	570.18	26570	32000	35684	40000	
		4.0	0.6	2625	1.2	525.20	27442	32000	35955	40000	
		4.9	0.7	2141	1.5	427.79	28975	32000	36423	40000	
		5.8	0.8	1809	1.5	361.69	29759	32000	36698	40000	
		6.3	0.9	1658	1.9	331.48	30137	32000	36825	40000	
		7.8	1.1	1353	2.0	269.99	30687	32000	37023	40000	
		8.4	1.2	1244	2.6	248.70	30876	32000	37094	40000	
1.5	3000	42	4.2	345	0.9	72.17	3051	6798	8561	7200	SK 1282 - 80T1/4D
		51	5.1	281	1.0	58.89	3091	6774	8942	7200	
		61	6.1	235	1.1	49.25	3098	6709	9164	7200	
		73	7.3	196	1.1	41.07	3046	6538	9317	7200	
		94	9.4	153	1.5	32.08	3060	6484	9452	7200	
		106	11	135	1.7	28.33	3014	6360	9497	7200	
		119	12	121	1.9	25.22	2964	6233	9531	7200	
		146	15	98.4	2.3	20.57	2854	5973	9574	7200	
		174	17	82.2	2.7	17.21	2754	5740	9306	7200	

UNICASE Parallel shaft gear motors

P1	n1	n2 nom	n2 min	M2	fB	i	FR	FA	FR (VL)	FA (VL)	Gearmotor
[kW]	[rpm]	[rpm]	[rpm]	[Nm]			[N]	[N]	[N]	[N]	
1.5	2100	65	9.4	219	1.1	32.08	3138	6756	9232	7200	SK 1282 - 90T1/4
		74	11	193	1.2	28.33	3122	6680	9327	7200	
		83	12	172	1.3	25.22	3096	6590	9396	7200	
		102	15	141	1.6	20.57	3013	6369	9485	7200	
		122	17	117	1.9	17.21	2931	6163	9537	7200	
		149	21	96.1	2.2	14.11	2836	5931	9577	7200	
		179	26	80.1	2.5	11.76	2722	5674	9228	7200	
		203	29	70.6	2.8	10.34	2653	5517	8926	7200	
		257	37	55.8	2.9	8.21	2532	5191	8397	7200	
1.5	3000	30	3.0	482	0.9	100.98	8386	12000	12809	15000	SK 2282 - 80T1/4D
		36	3.6	394	1.2	82.42	8119	12000	12954	15000	
		43	4.3	333	1.3	69.67	7879	12000	13044	15000	
		47	4.7	305	1.7	63.83	7777	12000	13086	15000	
		56	5.6	258	2.0	53.96	7510	12000	13146	15000	
		66	6.6	216	2.1	45.11	7206	12000	13195	15000	
		81	8.1	178	2.6	37.18	6929	12000	13242	15000	
1.5	2100	25	3.6	562	0.8	82.42	7289	12000	12461	15000	SK 2282 - 90T1/4
		30	4.3	475	0.9	69.67	8300	12000	12813	15000	
		33	4.7	436	1.2	63.83	8237	12000	12886	15000	
		39	5.6	368	1.4	53.96	8012	12000	12992	15000	
		41	5.8	353	1.5	51.71	7980	12000	13017	15000	
		47	6.6	308	1.5	45.11	7737	12000	13076	15000	
		48	6.9	298	1.9	43.71	7727	12000	13093	15000	
		56	8.1	254	1.8	37.18	7501	12000	13153	15000	
		57	8.2	249	2.0	36.54	7431	12000	13154	15000	
		67	9.6	213	2.1	31.23	7161	12000	13196	15000	
		71	10	202	2.5	29.65	7141	12000	13214	15000	
		78	11	183	2.4	26.83	6994	12000	13238	15000	
		84	12	170	2.9	24.97	6862	12000	13250	15000	
88	13	164	2.7	23.96	6810	12000	13259	15000			
1.5	3000	27	2.7	536	1.4	112.23	9979	14500	14168	20000	SK 3282 - 80T1/4D
		30	3.0	482	1.7	100.88	9783	14500	14227	20000	
		34	3.4	424	2.2	88.74	9581	14500	14288	20000	
		38	3.8	381	2.2	79.76	9367	14500	14329	20000	
		43	4.3	337	1.7	70.56	9067	14500	14363	20000	
		46	4.6	315	2.4	65.89	8972	14500	14384	20000	
		54	5.4	266	2.4	55.79	8617	14500	14419	20000	
		63	6.3	229	2.4	48.04	8297	14500	14444	20000	

UNICASE Parallel shaft gear motors

P1	n1	n2 nom	n2 min	M2	fB	i	FR	FA	FR (VL)	FA (VL)	Gearmotor
[kW]	[rpm]	[rpm]	[rpm]	[Nm]			[N]	[N]	[N]	[N]	
1.5	2100	19	2.7	766	1.0	112.23	10440	14500	13856	20000	SK 3282 - 90T1/4
		21	3.0	688	1.2	100.88	10292	14500	13970	20000	
		24	3.4	605	1.6	88.74	10159	14500	14083	20000	
		26	3.8	544	1.6	79.76	9976	14500	14157	20000	
		30	4.3	481	1.2	70.56	9685	14500	14222	20000	
		32	4.6	450	1.7	65.89	9622	14500	14259	20000	
		33	4.7	437	2.3	64.12	9618	14500	14274	20000	
		38	5.4	380	1.7	55.79	9289	14500	14325	20000	
		40	5.7	361	2.3	52.97	9234	14500	14344	20000	
		44	6.3	327	1.7	48.04	8979	14500	14369	20000	
		47	6.7	306	2.4	44.85	8885	14500	14389	20000	
54	7.8	263	2.4	38.62	8566	14500	14420	20000			
1.5	2100	14	1.9	1060	1.2	155.40	18340	22000	23612	30000	SK 4282 - 90T1/4
		19	2.7	755	2.1	110.78	17153	22000	23824	30000	
		23	3.3	617	2.6	90.52	16356	22000	23901	30000	
1.5	3000	7.3	0.7	1970	1.0	412.38	16504	22000	22625	30000	SK 4382 - 80T1/4D
		7.7	0.8	1868	1.1	390.76	16846	22000	22762	30000	
		8.7	0.9	1646	1.0	344.84	17517	22000	23030	30000	
		9.2	0.9	1560	1.2	326.81	17770	22000	23127	30000	
		9.9	1.0	1446	1.4	302.65	18108	22000	23252	30000	
		11	1.1	1301	1.2	272.54	18427	22000	23386	30000	
		12	1.2	1209	1.6	253.12	18500	22000	23477	30000	
		14	1.4	1008	1.6	211.09	17824	22000	23639	30000	
		16	1.6	914	2.2	191.57	17691	22000	23715	30000	
		19	1.9	764	2.2	160.20	17037	22000	23813	30000	
		21	2.1	671	3.0	140.60	16604	22000	23869	30000	
1.5	2100	6.4	0.9	2229	0.8	326.81	15544	22000	22244	30000	SK 4382 - 90T1/4
		6.9	1.0	2066	1.0	302.65	16169	22000	22490	30000	
		7.7	1.1	1859	0.8	272.54	16782	22000	22760	30000	
		8.3	1.2	1727	1.1	253.12	17273	22000	22935	30000	
		10	1.4	1440	1.1	211.09	18055	22000	23249	30000	
		11	1.6	1306	1.5	191.57	18479	22000	23390	30000	
		13	1.9	1092	1.5	160.20	18208	22000	23578	30000	
		15	2.1	959	2.1	140.60	17848	22000	23682	30000	
		18	2.5	808	2.5	118.38	17269	22000	23786	30000	
		20	2.9	708	2.8	103.82	16799	22000	23847	30000	
		31	4.5	455	2.6	66.65	15133	22000	23976	30000	
1.5	2100	16	2.2	914	2.9	134.03	26303	32000	37256	40000	SK 5282 - 90T1/4

UNICASE Parallel shaft gear motors

P1	n1	n2 nom	n2 min	M2	fB	i	FR	FA	FR (VL)	FA (VL)	Gearmotor
[kW]	[rpm]	[rpm]	[rpm]	[Nm]			[N]	[N]	[N]	[N]	
1.5	3000	4.3	0.4	3341	1.0	700.03	24352	32000	35084	40000	SK 5382 - 80T1/4D
		5.3	0.5	2725	1.0	570.18	27075	32000	35833	40000	
		5.7	0.6	2506	1.3	525.20	27857	32000	36081	40000	
		7.0	0.7	2043	1.6	427.79	29237	32000	36512	40000	
		8.3	0.8	1727	1.6	361.69	29931	32000	36762	40000	
		9.0	0.9	1583	2.0	331.48	30124	32000	36879	40000	
		11	1.1	1291	2.1	269.99	28625	32000	37060	40000	
		12	1.2	1187	2.7	248.70	28200	32000	37126	40000	
1.5	2100	4.0	0.6	3579	0.9	525.20	23046	32000	34748	40000	SK 5382 - 90T1/4
		4.9	0.7	2919	1.1	427.79	26304	32000	35608	40000	
		5.8	0.8	2467	1.1	361.69	27987	32000	36101	40000	
		6.3	0.9	2261	1.4	331.48	28629	32000	36322	40000	
		7.8	1.1	1844	1.5	269.99	29724	32000	36677	40000	
		8.4	1.2	1696	1.9	248.70	30058	32000	36798	40000	
		10	1.5	1383	2.3	202.57	29079	32000	37004	40000	
		12	1.8	1169	2.4	171.27	27875	32000	37127	40000	
1.5	2100	3.8	0.5	3766	1.4	551.58	36924	46500	53501	60000	SK 6382 - 90T1/4
		4.7	0.7	3041	1.4	445.09	38962	46500	54084	60000	
		5.3	0.8	2684	2.2	393.19	39775	46500	54334	60000	
		6.6	0.9	2167	2.6	317.28	40750	46500	54657	60000	
		8.3	1.2	1716	2.6	251.76	41416	46500	54888	60000	
		9.3	1.3	1540	2.6	225.79	41632	46500	54978	60000	
2.2	3000	94	9.4	225	1.0	32.08	2584	5641	9208	7200	SK 1282 - 90T1/4D
		106	11	199	1.1	28.33	2593	5614	9308	7200	
		119	12	177	1.3	25.22	2589	5569	9382	7200	
		146	15	144	1.6	20.57	2543	5421	9460	7200	
		174	17	121	1.9	17.21	2491	5274	9059	7200	
		213	21	98.7	2.1	14.11	2426	5080	8626	7200	
		255	26	82.3	2.5	11.76	2338	4725	8223	7200	
		290	29	72.4	2.7	10.34	2287	4526	7961	7200	
		328	33	64.1	2.9	9.18	2234	4342	7713	7200	
		367	37	57.3	2.8	8.21	2195	4206	7499	7200	

UNICASE Parallel shaft gear motors

P1	n1	n2 nom	n2 min	M2	fB	i	FR	FA	FR (VL)	FA (VL)	Gearmotor
[kW]	[rpm]	[rpm]	[rpm]	[Nm]			[N]	[N]	[N]	[N]	
2.2	2100	83	12	253	0.9	25.22	2561	5641	9085	7200	SK 1282 - 90T3/4
		102	15	206	1.1	20.57	2569	5581	9280	7200	
		122	17	172	1.3	17.21	2556	5497	9396	7200	
		149	21	141	1.5	14.11	2529	5386	9399	7200	
		179	26	118	1.7	11.76	2458	5204	8980	7200	
		203	29	103	1.9	10.34	2420	5103	8708	7200	
		229	33	91.6	2.1	9.18	2379	4900	8450	7200	
		255	36	82.3	2.3	8.24	2305	4643	8195	7200	
		257	37	81.8	2.0	8.21	2354	4761	8229	7200	
		290	41	72.5	2.6	7.24	2257	4456	7936	7200	
		327	47	64.2	2.8	6.43	2208	4283	7691	7200	
439	63	47.8	2.7	4.79	2079	3882	7117	7200			
2.2	3000	36	3.6	577	0.8	82.42	6974	12000	12370	15000	SK 2282 - 90T1/4D
		43	4.3	488	0.9	69.67	6993	12000	12790	15000	
		47	4.7	447	1.2	63.83	6973	12000	12866	15000	
		56	5.6	378	1.3	53.96	6822	12000	12977	15000	
		58	5.8	362	1.4	51.71	6808	12000	13003	15000	
		66	6.6	316	1.4	45.11	6620	12000	13064	15000	
		69	6.9	306	1.8	43.71	6624	12000	13082	15000	
		81	8.1	260	1.8	37.18	6462	12000	13145	15000	
		82	8.2	256	2.0	36.54	6397	12000	13145	15000	
		96	9.6	218	2.0	31.23	6183	12000	12828	15000	
		101	10	208	2.4	29.65	6182	12000	12720	15000	
		112	11	188	2.3	26.83	6070	12000	12423	15000	
		120	12	175	2.8	24.97	5959	12000	12193	15000	
		125	13	168	2.6	23.96	5920	12000	12080	15000	
2.2	2100	33	4.7	639	0.8	63.83	5381	12000	11963	15000	SK 2282 - 90T3/4
		39	5.6	540	0.9	53.96	7031	12000	12591	15000	
		41	5.8	518	1.0	51.71	7049	12000	12715	15000	
		47	6.6	452	1.0	45.11	6900	12000	12850	15000	
		48	6.9	438	1.3	43.71	6931	12000	12880	15000	
		56	8.1	372	1.2	37.18	6832	12000	12988	15000	
		57	8.2	366	1.4	36.54	6752	12000	12991	15000	
		67	9.6	312	1.4	31.23	6570	12000	13066	15000	
		71	10	297	1.7	29.65	6608	12000	13097	15000	
		78	11	268	1.6	26.83	6521	12000	13137	15000	
		84	12	250	2.0	24.97	6413	12000	13158	15000	
		88	13	240	1.8	23.96	6386	12000	13172	15000	
		96	14	219	2.2	21.90	6251	12000	12887	15000	
		113	16	185	2.6	18.51	6022	12000	12357	15000	
127	18	166	2.8	16.53	5876	12000	12017	15000			

UNICASE Parallel shaft gear motors

P1	n1	n2 nom	n2 min	M2	fB	i	FR	FA	FR (VL)	FA (VL)	Gearmotor
[kW]	[rpm]	[rpm]	[rpm]	[Nm]			[N]	[N]	[N]	[N]	
2.2	3000	27	2.7	786	1.0	112.23	8746	14500	13824	20000	SK 3282 - 90T1/4D
		30	3.0	706	1.1	100.88	8665	14500	13943	20000	
		34	3.4	621	1.5	88.74	8607	14500	14062	20000	
		38	3.8	558	1.5	79.76	8482	14500	14140	20000	
		43	4.3	494	1.1	70.56	8253	14500	14208	20000	
		46	4.6	462	1.6	65.89	8227	14500	14246	20000	
		47	4.7	449	2.3	64.12	8237	14500	14262	20000	
		54	5.4	390	1.6	55.79	7975	14500	14314	20000	
		57	5.7	371	2.3	52.97	7945	14500	14335	20000	
		63	6.3	336	1.6	48.04	7733	14500	14362	20000	
		67	6.7	314	2.3	44.85	7670	14500	14382	20000	
78	7.8	270	2.3	38.62	7414	14500	14415	20000			
2.2	2100	24	3.4	888	1.1	88.74	8767	14500	13653	20000	SK 3282 - 90T3/4
		26	3.8	798	1.1	79.76	8714	14500	13803	20000	
		32	4.6	659	1.1	65.89	8558	14500	14006	20000	
		33	4.7	641	1.6	64.12	8602	14500	14034	20000	
		38	5.4	558	1.2	55.79	8371	14500	14134	20000	
		40	5.7	530	1.6	52.97	8378	14500	14170	20000	
		44	6.3	480	1.1	48.04	8172	14500	14220	20000	
		47	6.7	448	1.6	44.85	8147	14500	14257	20000	
		50	7.1	421	2.2	42.02	8173	14500	14291	20000	
		54	7.8	386	1.6	38.62	7918	14500	14316	20000	
		56	7.9	378	2.2	37.77	8007	14500	14331	20000	
66	9.4	319	2.7	31.93	7772	14500	14383	20000			
2.2	3000	19	1.9	1088	1.2	155.40	15690	22000	23590	30000	SK 4282 - 90T1/4D
		27	2.7	775	2.1	110.78	14807	22000	23812	30000	
		33	3.3	634	2.5	90.52	14173	22000	23892	30000	
		39	3.9	537	3.0	76.70	13614	22000	23939	30000	
2.2	2100	14	1.9	1555	0.8	155.40	16344	22000	23146	30000	SK 4282 - 90T3/4
		19	2.7	1108	1.4	110.78	15730	22000	23574	30000	
		23	3.3	906	1.8	90.52	15177	22000	23724	30000	
		27	3.9	767	2.1	76.70	14652	22000	23812	30000	

UNICASE Parallel shaft gear motors

P1	n1	n2 nom	n2 min	M2	fB	i	FR	FA	FR (VL)	FA (VL)	Gearmotor
[kW]	[rpm]	[rpm]	[rpm]	[Nm]			[N]	[N]	[N]	[N]	
2.2	3000	9.2	0.9	2289	0.8	326.81	15111	22000	22151	30000	SK 4382 - 90T1/4D
		9.9	1.0	2121	1.0	302.65	15971	22000	22410	30000	
		11	1.1	1908	0.8	272.54	15858	22000	22695	30000	
		12	1.2	1773	1.1	253.12	16107	22000	22879	30000	
		14	1.4	1478	1.1	211.09	15766	22000	23208	30000	
		16	1.6	1341	1.5	191.57	15899	22000	23357	30000	
		19	1.9	1121	1.5	160.20	15524	22000	23555	30000	
		21	2.1	985	2.0	140.60	15288	22000	23663	30000	
		25	2.5	830	2.4	118.38	14863	22000	23772	30000	
		29	2.9	727	2.7	103.82	14504	22000	23836	30000	
45	4.5	467	2.6	66.65	13168	22000	23971	30000			
2.2	2100	11	1.6	1916	1.0	191.57	16203	22000	22698	30000	SK 4382 - 90T3/4
		13	1.9	1601	1.0	160.20	16048	22000	23082	30000	
		15	2.1	1407	1.4	140.60	15969	22000	23292	30000	
		18	2.5	1186	1.7	118.38	15685	22000	23499	30000	
		20	2.9	1039	1.9	103.82	15411	22000	23622	30000	
		24	3.5	868	2.3	86.83	14941	22000	23745	30000	
31	4.5	668	1.8	66.65	14232	22000	23870	30000			
2.2	3000	22	2.2	939	2.8	134.03	22918	32000	37245	40000	SK 5282 - 90T1/4D
2.2	2100	16	2.2	1341	2.0	134.03	24837	32000	37025	40000	SK 5282 - 90T3/4
		21	3.0	1002	2.2	100.19	23407	32000	37222	40000	
		26	3.7	817	2.2	81.61	22173	32000	37303	40000	
2.2	3000	5.7	0.6	3675	0.9	525.20	22476	32000	34607	40000	SK 5382 - 90T1/4D
		7.0	0.7	2997	1.1	427.79	25974	32000	35513	40000	
		8.3	0.8	2532	1.1	361.69	27553	32000	36033	40000	
		9.0	0.9	2322	1.4	331.48	27685	32000	36265	40000	
		11	1.1	1894	1.4	269.99	26571	32000	36637	40000	
		12	1.2	1741	1.8	248.70	26371	32000	36764	40000	
		15	1.5	1420	2.3	202.57	25165	32000	36980	40000	
		18	1.8	1200	2.3	171.27	24183	32000	37109	40000	
		20	2.0	1077	3.0	153.92	23694	32000	37179	40000	
2.2	2100	6.3	0.9	3317	1.0	331.48	24474	32000	35116	40000	SK 5382 - 90T3/4
		7.8	1.1	2705	1.0	269.99	27149	32000	35855	40000	
		8.4	1.2	2488	1.3	248.70	27917	32000	36099	40000	
		10	1.5	2029	1.6	202.57	26878	32000	36524	40000	
		12	1.8	1714	1.6	171.27	25972	32000	36771	40000	
		14	2.0	1539	2.1	153.92	25575	32000	36902	40000	
		15	2.2	1388	2.3	138.82	25048	32000	37001	40000	
		18	2.6	1173	2.3	117.37	24064	32000	37124	40000	

UNICASE Parallel shaft gear motors

P1	n1	n2 nom	n2 min	M2	fB	i	FR	FA	FR (VL)	FA (VL)	Gearmotor
[kW]	[rpm]	[rpm]	[rpm]	[Nm]			[N]	[N]	[N]	[N]	
2.2	3000	5.4	0.5	3867	1.3	551.58	36598	46500	53412	60000	SK 6382 - 90T1/4D
		6.7	0.7	3122	1.3	445.09	38761	46500	54024	60000	
		7.6	0.8	2755	2.1	393.19	39622	46500	54286	60000	
		9.4	0.9	2224	2.5	317.28	40652	46500	54624	60000	
		12	1.2	1762	2.5	251.76	41269	46500	54865	60000	
		13	1.3	1581	2.5	225.79	40340	46500	54959	60000	
2.2	2100	3.8	0.5	5524	0.9	551.58	29192	46500	50555	60000	SK 6382 - 90T3/4
		4.7	0.7	4460	0.9	445.09	34420	46500	52848	60000	
		5.3	0.8	3936	1.5	393.19	36366	46500	53350	60000	
		6.6	0.9	3178	1.8	317.28	38618	46500	53981	60000	
		8.3	1.2	2517	1.8	251.76	40114	46500	54436	60000	
		9.3	1.3	2259	1.8	225.79	40592	46500	54604	60000	
3	2100	102	15	281	0.8	20.57	2061	4679	8943	7200	SK 1282 - 100T2/4
		122	17	235	1.0	17.21	2128	4735	9165	7200	
		149	21	192	1.1	14.11	2178	4763	9069	7200	
		179	26	160	1.3	11.76	2156	4558	8696	7200	
		203	29	141	1.4	10.34	2155	4456	8458	7200	
		229	33	125	1.5	9.18	2144	4347	8229	7200	
		255	36	112	1.7	8.24	2082	4135	7985	7200	
		257	37	112	1.4	8.21	2151	4295	8038	7200	
		290	41	98.9	1.9	7.24	2061	4022	7751	7200	
		327	47	87.5	2.1	6.43	2034	3908	7528	7200	
		384	55	74.7	2.3	5.47	1991	3753	7238	7200	
		439	63	65.2	2.0	4.79	1949	3618	6995	7200	
3	3000	106	11	271	0.8	28.33	2113	4762	8997	7200	SK 1282 - 90T3/4D
		119	12	241	0.9	25.22	2161	4810	9138	7200	
		146	15	197	1.1	20.57	2188	4790	9126	7200	
		174	17	164	1.4	17.21	2191	4670	8777	7200	
		213	21	135	1.6	14.11	2181	4487	8395	7200	
		255	26	112	1.8	11.76	2127	4242	8025	7200	
		290	29	98.8	2.0	10.34	2101	4114	7786	7200	
		328	33	87.5	2.2	9.18	2069	3987	7558	7200	
		365	36	78.6	2.4	8.24	2006	3803	7331	7200	
		367	37	78.1	2.0	8.21	2053	3906	7365	7200	
		414	41	69.2	2.7	7.24	1968	3678	7102	7200	
		467	47	61.3	3.0	6.43	1929	3556	6886	7200	
		628	63	45.6	2.8	4.79	1822	3265	6376	7200	

UNICASE Parallel shaft gear motors

P1	n1	n2 nom	n2 min	M2	fB	i	FR	FA	FR (VL)	FA (VL)	Gearmotor
[kW]	[rpm]	[rpm]	[rpm]	[Nm]			[N]	[N]	[N]	[N]	
3	2100	48	6.9	597	0.9	43.71	6023	12000	12248	15000	SK 2282 - 100T2/4
		57	8.2	499	1.0	36.54	5977	12000	12765	15000	
		67	9.6	426	1.0	31.23	5895	12000	12889	15000	
		71	10	404	1.2	29.65	5999	12000	12937	15000	
		78	11	366	1.2	26.83	5978	12000	13001	15000	
		84	12	341	1.4	24.97	5899	12000	12856	15000	
		88	13	327	1.3	23.96	5900	12000	12770	15000	
		96	14	299	1.6	21.90	5800	12000	12498	15000	
		113	16	252	1.9	18.51	5638	11660	12025	15000	
		127	18	226	2.1	16.53	5532	11410	11720	15000	
		159	23	180	2.2	13.23	5255	10794	11070	15000	
		178	25	161	2.4	11.81	5138	10531	10774	15000	
		207	30	139	2.6	10.15	4973	10167	10375	15000	
		233	33	123	2.7	9.03	4837	9873	10061	15000	
		251	36	114	2.2	8.37	4700	9587	9829	15000	
		281	40	102	2.4	7.48	4579	9137	9552	15000	
327	47	87.7	2.6	6.43	4414	8578	9182	15000			
368	53	77.7	2.7	5.72	4282	8165	8893	15000			
3	3000	47	4.7	610	0.9	63.83	6055	12000	12162	15000	SK 2282 - 90T3/4D
		56	5.6	516	1.0	53.96	6037	12000	12726	15000	
		58	5.8	494	1.1	51.71	6064	12000	12783	15000	
		66	6.6	431	1.0	45.11	5950	12000	12885	15000	
		69	6.9	418	1.3	43.71	5988	12000	12913	15000	
		81	8.1	355	1.3	37.18	5926	12000	12966	15000	
		82	8.2	349	1.4	36.54	5854	12000	12873	15000	
		96	9.6	298	1.5	31.23	5710	11876	12422	15000	
		101	10	283	1.8	29.65	5756	11939	12351	15000	
		112	11	256	1.7	26.83	5690	11766	12094	15000	
		120	12	239	2.1	24.97	5600	11563	11882	15000	
		125	13	229	1.9	23.96	5581	11509	11786	15000	
		137	14	209	2.3	21.90	5468	11255	11519	15000	
		162	16	177	2.7	18.51	5277	10828	11052	15000	
		181	18	158	3.0	16.53	5154	10556	10752	15000	

UNICASE Parallel shaft gear motors

P1	n1	n2 nom	n2 min	M2	fB	i	FR	FA	FR (VL)	FA (VL)	Gearmotor		
[kW]	[rpm]	[rpm]	[rpm]	[Nm]			[N]	[N]	[N]	[N]			
3	2100	33	4.7	875	1.2	64.12	7442	14500	13674	20000	SK 3282 - 100T2/4		
		40	5.7	723	1.2	52.97	7401	14500	13915	20000			
		47	6.7	612	1.2	44.85	7304	14500	14066	20000			
		50	7.1	574	1.6	42.02	7419	14500	14123	20000			
		54	7.8	526	1.2	38.62	7177	14402	14168	20000			
		56	7.9	515	1.6	37.77	7323	14500	14190	20000			
		66	9.4	435	2.0	31.93	7200	14319	14277	20000			
		73	10	391	2.2	28.70	7072	14024	14319	20000			
		81	12	353	2.4	25.88	6958	13760	14353	20000			
		89	13	323	2.5	23.71	6824	13470	14377	20000			
		94	13	306	2.6	22.45	6801	13401	14393	20000			
		98	14	292	2.5	21.38	6698	13192	14402	20000			
		104	15	275	3.0	20.18	6650	13077	14286	20000			
3	3000	34	3.4	847	1.1	88.74	7493	14500	13723	20000	SK 3282 - 90T3/4D		
		38	3.8	762	1.1	79.76	7472	14500	13860	20000			
		46	4.6	629	1.2	65.89	7376	14500	14047	20000			
		47	4.7	612	1.7	64.12	7425	14500	14073	20000			
		54	5.4	532	1.2	55.79	7240	14500	14164	20000			
		57	5.7	506	1.7	52.97	7260	14500	14198	20000			
		63	6.3	458	1.2	48.04	7087	14148	14244	20000			
		67	6.7	428	1.7	44.85	7079	14090	14278	20000			
		71	7.1	402	2.3	42.02	7119	14124	14311	20000			
		78	7.8	368	1.7	38.62	6895	13669	14333	20000			
		79	7.9	361	2.3	37.77	6984	13819	14346	20000			
				94	9.4	305	2.9	31.93	6796	13390		14394	20000
3	2100	19	2.7	1511	1.1	110.78	14105	22000	23194	30000	SK 4282 - 100T2/4		
		23	3.3	1235	1.3	90.52	13827	22000	23461	30000			
		27	3.9	1046	1.5	76.70	13479	22000	23616	30000			
		28	4.0	1029	1.5	75.39	13621	22000	23636	30000			
		34	4.9	841	2.1	61.60	13171	22000	23768	30000			
		40	5.7	713	2.6	52.20	12734	22000	23845	30000			
		47	6.7	615	2.6	45.05	12489	22000	23903	30000			
		48	6.9	595	2.7	43.65	12285	22000	23909	30000			
		51	7.4	556	2.8	40.74	12235	22000	23933	30000			
		57	8.1	503	2.8	36.81	11937	22000	23957	30000			
				58	8.2	496	2.8	36.40	11766	22000		23955	30000
		3	3000	19	1.9	1484	0.9	155.40	14093	22000		23222	30000
27	2.7			1057	1.5	110.78	13669	22000	23614	30000			
33	3.3			864	1.9	90.52	13228	22000	23752	30000			
39	3.9			732	2.2	76.70	12795	22000	23833	30000			

UNICASE Parallel shaft gear motors

P1	n1	n2 nom	n2 min	M2	fB	i	FR	FA	FR (VL)	FA (VL)	Gearmotor
[kW]	[rpm]	[rpm]	[rpm]	[Nm]			[N]	[N]	[N]	[N]	
3	2100	15	2.1	1918	1.0	140.60	13822	22000	22695	30000	SK 4382 - 100T2/4
		18	2.5	1617	1.2	118.38	13874	22000	23067	30000	
		20	2.9	1417	1.4	103.82	13825	22000	23282	30000	
		24	3.5	1184	1.7	86.83	13603	22000	23499	30000	
		31	4.5	911	1.3	66.65	13201	22000	23716	30000	
3	3000	12	1.2	2417	0.8	253.12	13374	22000	21941	30000	SK 4382 - 90T3/4D
		14	1.4	2015	0.8	211.09	13410	22000	22548	30000	
		16	1.6	1829	1.1	191.57	13852	22000	22811	30000	
		19	1.9	1528	1.1	160.20	13795	22000	23163	30000	
		21	2.1	1343	1.5	140.60	13786	22000	23355	30000	
		25	2.5	1132	1.8	118.38	13596	22000	23547	30000	
		29	2.9	992	2.0	103.82	13392	22000	23658	30000	
		35	3.5	829	2.4	86.83	13021	22000	23771	30000	
3	2100	16	2.2	1829	1.5	134.03	23161	32000	36682	40000	SK 5282 - 100T2/4
		21	3.0	1366	1.6	100.19	22204	32000	37021	40000	
		23	3.3	1253	2.2	91.81	21652	32000	37078	40000	
		26	3.7	1114	1.6	81.61	21159	32000	37160	40000	
3	3000	22	2.2	1280	2.1	134.03	21746	32000	37062	40000	SK 5282 - 90T3/4D
		30	3.0	956	2.3	100.19	20562	32000	37244	40000	
		37	3.7	780	2.3	81.61	19501	32000	37319	40000	
3	2100	8.4	1.2	3392	0.9	248.70	24083	32000	35013	40000	SK 5382 - 100T2/4
		10	1.5	2767	1.2	202.57	24359	32000	35786	40000	
		12	1.8	2338	1.2	171.27	23794	32000	36231	40000	
		14	2.0	2099	1.5	153.92	23664	32000	36463	40000	
		15	2.2	1893	1.7	138.82	23324	32000	36637	40000	
		18	2.6	1600	1.7	117.37	22577	32000	36854	40000	
		23	3.3	1248	2.3	91.71	21802	32000	37091	40000	
		25	3.6	1126	2.5	82.72	21331	32000	37159	40000	
3	3000	8.3	0.8	3453	0.8	361.69	23755	32000	34901	40000	SK 5382 - 90T3/4D
		9.0	0.9	3166	1.0	331.48	24898	32000	35315	40000	
		11	1.1	2582	1.0	269.99	24220	32000	35989	40000	
		12	1.2	2374	1.3	248.70	24277	32000	36213	40000	
		15	1.5	1937	1.7	202.57	23402	32000	36602	40000	
		18	1.8	1636	1.7	171.27	22662	32000	36828	40000	
		20	2.0	1469	2.2	153.92	22358	32000	36949	40000	
		22	2.2	1325	2.4	138.82	21925	32000	37040	40000	
		26	2.6	1120	2.5	117.37	21095	32000	37153	40000	

UNICASE Parallel shaft gear motors

P1	n1	n2 nom	n2 min	M2	fB	i	FR	FA	FR (VL)	FA (VL)	Gearmotor
[kW]	[rpm]	[rpm]	[rpm]	[Nm]			[N]	[N]	[N]	[N]	
3	2100	5.3	0.8	5367	1.1	393.19	30093	46500	51081	60000	SK 6382 - 100T2/4
		6.6	0.9	4333	1.3	317.28	34923	46500	52974	60000	
		7.8	1.1	3655	1.6	267.59	37272	46500	53597	60000	
		8.3	1.2	3433	1.3	251.76	37929	46500	53767	60000	
		9.3	1.3	3081	1.3	225.79	38863	46500	54054	60000	
		9.9	1.4	2896	1.6	212.33	39307	46500	54177	60000	
		12	1.8	2338	2.4	171.34	38853	46500	54548	60000	
		13	1.9	2184	2.6	159.88	38505	46500	54647	60000	
		17	2.4	1730	2.6	126.87	36470	46500	54881	60000	
3	3000	5.4	0.5	5273	1.0	551.58	30611	46500	51388	60000	SK 6382 - 90T3/4D
		6.7	0.7	4257	1.0	445.09	35215	46500	53049	60000	
		7.6	0.8	3757	1.6	393.19	36954	46500	53509	60000	
		9.4	0.9	3033	1.9	317.28	38980	46500	54089	60000	
		12	1.2	2403	1.9	251.76	39060	46500	54508	60000	
		13	1.3	2157	1.9	225.79	38403	46500	54663	60000	
4	3000	146	15	262	0.9	20.57	1744	3763	8708	7200	SK 1282 - 100T2/4D
		174	17	219	1.0	17.21	1816	3795	8425	7200	
		213	21	179	1.2	14.11	1874	3797	8106	7200	
		255	26	150	1.4	11.76	1863	3670	7777	7200	
		290	29	132	1.5	10.34	1868	3621	7567	7200	
		328	33	117	1.6	9.18	1863	3559	7365	7200	
		365	36	105	1.8	8.24	1810	3404	7148	7200	
		367	37	104	1.5	8.21	1875	3541	7197	7200	
		414	41	92.3	2.0	7.24	1796	3332	6940	7200	
		467	47	81.7	2.2	6.43	1776	3255	6742	7200	
		548	55	69.7	2.5	5.47	1743	3147	6486	7200	
		628	63	60.8	2.1	4.79	1709	3049	6269	7200	
4	2100	149	21	256	0.8	14.11	1740	3734	8658	7200	SK 1282 - 100T5/4
		179	26	214	1.0	11.76	1779	3690	8342	7200	
		203	29	188	1.0	10.34	1823	3707	8146	7200	
		229	33	167	1.1	9.18	1850	3697	7952	7200	
		255	36	150	1.3	8.24	1802	3534	7723	7200	
		257	37	149	1.1	8.21	1896	3742	7798	7200	
		290	41	132	1.4	7.24	1815	3502	7520	7200	
		327	47	117	1.6	6.43	1816	3456	7323	7200	
		384	55	99.5	1.7	5.47	1805	3376	7064	7200	
		439	63	86.9	1.5	4.79	1787	3295	6843	7200	

UNICASE Parallel shaft gear motors

P1	n1	n2 nom	n2 min	M2	fB	i	FR	FA	FR (VL)	FA (VL)	Gearmotor
[kW]	[rpm]	[rpm]	[rpm]	[Nm]			[N]	[N]	[N]	[N]	
4	3000	69	6.9	557	1.0	43.71	5192	11203	12494	15000	SK 2282 - 100T2/4D
		82	8.2	466	1.1	36.54	5176	11044	12288	15000	
		96	9.6	397	1.1	31.23	5119	10837	11914	15000	
		101	10	377	1.3	29.65	5223	11005	11891	15000	
		112	11	341	1.3	26.83	5216	10936	11684	15000	
		120	12	318	1.5	24.97	5151	10776	11494	15000	
		125	13	305	1.4	23.96	5156	10767	11419	15000	
		137	14	279	1.7	21.90	5073	10566	11179	15000	
		162	16	236	2.1	18.51	4940	10238	10761	15000	
		181	18	211	2.2	16.53	4853	10028	10492	15000	
		227	23	168	2.4	13.23	4618	9498	9915	15000	
		254	25	150	2.6	11.81	4518	9131	9652	15000	
		295	30	129	2.8	10.15	4378	8611	9297	15000	
		333	33	115	2.9	9.03	4262	8223	9018	15000	
		359	36	106	2.4	8.37	4140	7879	8810	15000	
		401	40	95.2	2.6	7.48	4036	7565	8563	15000	
466	47	81.9	2.8	6.43	3894	7161	8234	14797			
526	53	72.6	2.9	5.72	3779	6855	7976	14336			
4	2100	71	10	539	0.9	29.65	5238	11265	12596	15000	SK 2282 - 100T5/4
		78	11	488	0.9	26.83	5300	11313	12484	15000	
		84	12	454	1.1	24.97	5257	11184	12301	15000	
		88	13	436	1.0	23.96	5294	11228	12244	15000	
		96	14	398	1.2	21.90	5238	11065	12012	15000	
		113	16	337	1.4	18.51	5157	10817	11610	15000	
		127	18	301	1.6	16.53	5102	10656	11349	15000	
		159	23	240	1.7	13.23	4898	10165	10763	15000	
		178	25	215	1.8	11.81	4818	9968	10499	15000	
		207	30	185	1.9	10.15	4698	9683	10139	15000	
		233	33	164	2.0	9.03	4594	9442	9852	15000	
		251	36	152	1.7	8.37	4456	8985	9621	15000	
		281	40	136	1.8	7.48	4361	8621	9365	15000	
		327	47	117	1.9	6.43	4226	8156	9021	15000	
		368	53	104	2.0	5.72	4115	7803	8751	15000	
		465	66	82.1	2.3	4.51	3896	7167	8238	14806	

UNICASE Parallel shaft gear motors

P1	n1	n2 nom	n2 min	M2	fB	i	FR	FA	FR (VL)	FA (VL)	Gearmotor
[kW]	[rpm]	[rpm]	[rpm]	[Nm]			[N]	[N]	[N]	[N]	
4	3000	47	4.7	816	1.2	64.12	6410	13259	13773	20000	SK 3282 - 100T2/4D
		57	5.7	675	1.3	52.97	6404	13088	13985	20000	
		67	6.7	571	1.3	44.85	6340	12847	14118	20000	
		71	7.1	535	1.7	42.02	6459	13017	14168	20000	
		78	7.8	491	1.3	38.62	6246	12575	14208	20000	
		79	7.9	481	1.7	37.77	6386	12815	14228	20000	
		94	9.4	406	2.2	31.93	6295	12551	14208	20000	
		105	10	365	2.4	28.70	6191	12304	13870	20000	
		116	12	329	2.6	25.88	6098	12084	13556	20000	
		127	13	302	2.7	23.71	5984	11834	13264	20000	
		134	13	285	2.8	22.45	5970	11784	13131	20000	
140	14	272	2.7	21.38	5880	11599	12952	20000			
4	2100	50	7.1	765	1.2	42.02	6477	13323	13857	20000	SK 3282 - 100T5/4
		56	7.9	687	1.2	37.77	6468	13218	13971	20000	
		66	9.4	580	1.5	31.93	6485	13121	14115	20000	
		73	10	521	1.7	28.70	6424	12935	14183	20000	
		81	12	470	1.8	25.88	6373	12778	14239	20000	
		89	13	431	1.9	23.71	6277	12551	14277	20000	
		94	13	408	2.0	22.45	6298	12559	14220	20000	
		98	14	389	1.9	21.38	6205	12363	14029	20000	
		104	15	366	2.2	20.18	6194	12312	13882	20000	
		126	18	303	2.8	16.67	5988	11843	13276	20000	
4	3000	27	2.7	1410	1.1	110.78	12247	22000	23298	30000	SK 4282 - 100T2/4D
		33	3.3	1152	1.4	90.52	12048	22000	23534	30000	
		39	3.9	977	1.6	76.70	11770	22000	23670	30000	
		40	4.0	960	1.7	75.39	11905	22000	23688	30000	
		49	4.9	785	2.3	61.60	11538	22000	23804	30000	
		57	5.7	665	2.7	52.20	11170	22000	23718	30000	
		67	6.7	574	2.8	45.05	10977	21812	22998	30000	
		69	6.9	556	2.9	43.65	10793	21451	22728	30000	
		74	7.4	519	3.0	40.74	10762	21344	22454	30000	
		81	8.1	469	3.0	36.81	10506	20802	21877	30000	
		82	8.2	463	3.0	36.40	10348	20504	21704	30000	

UNICASE Parallel shaft gear motors

P1	n1	n2 nom	n2 min	M2	fB	i	FR	FA	FR (VL)	FA (VL)	Gearmotor
[kW]	[rpm]	[rpm]	[rpm]	[Nm]			[N]	[N]	[N]	[N]	
4	2100	23	3.3	1646	1.0	90.52	12141	22000	23039	30000	SK 4282 - 100T5/4
		27	3.9	1395	1.1	76.70	12015	22000	23304	30000	
		28	4.0	1372	1.2	75.39	12238	22000	23336	30000	
		34	4.9	1121	1.6	61.60	12023	22000	23560	30000	
		40	5.7	950	1.9	52.20	11736	22000	23689	30000	
		47	6.7	820	1.9	45.05	11662	22000	23784	30000	
		48	6.9	794	2.0	43.65	11443	22000	23794	30000	
		51	7.4	742	2.1	40.74	11487	22000	23832	30000	
		57	8.1	670	2.1	36.81	11251	22000	23814	30000	
		58	8.2	662	2.1	36.40	11041	22000	23594	30000	
		65	9.3	588	2.8	32.34	11027	21923	23129	30000	
4	3000	22	2.2	1707	1.6	134.03	20279	32000	36776	40000	SK 5282 - 100T2/4D
		30	3.0	1275	1.8	100.19	19510	32000	37075	40000	
		33	3.3	1169	2.4	91.81	19029	32000	37126	40000	
		37	3.7	1040	1.8	81.61	18615	32000	37199	40000	
4	2100	16	2.2	2438	1.1	134.03	21068	32000	36129	40000	SK 5282 - 100T5/4
		21	3.0	1822	1.2	100.19	20699	32000	36703	40000	
		23	3.3	1670	1.7	91.81	20217	32000	36803	40000	
		26	3.7	1486	1.2	81.61	19892	32000	36938	40000	
		31	4.4	1248	2.4	68.63	19430	32000	37091	40000	
		38	5.4	1018	2.6	55.90	18531	32000	37210	40000	
		38	5.4	1010	2.5	55.55	18481	32000	37210	40000	
		44	6.3	860	2.8	47.27	17800	32000	36586	40000	
4	3000	12	1.2	3166	1.0	248.70	21663	32000	35315	40000	SK 5382 - 100T2/4D
		15	1.5	2582	1.2	202.57	21200	32000	35989	40000	
		18	1.8	2182	1.3	171.27	20757	32000	36379	40000	
		20	2.0	1959	1.6	153.92	20685	32000	36583	40000	
		22	2.2	1767	1.8	138.82	20416	32000	36737	40000	
		26	2.6	1493	1.8	117.37	19791	32000	36928	40000	
		33	3.3	1165	2.5	91.71	19171	32000	37138	40000	
		36	3.6	1051	2.7	82.72	18771	32000	37198	40000	
4	2100	10	1.5	3689	0.9	202.57	21212	32000	34569	40000	SK 5382 - 100T5/4
		12	1.8	3117	0.9	171.27	21074	32000	35353	40000	
		14	2.0	2798	1.1	153.92	21278	32000	35749	40000	
		15	2.2	2524	1.3	138.82	21172	32000	36050	40000	
		18	2.6	2133	1.3	117.37	20715	32000	36423	40000	
		23	3.3	1665	1.7	91.71	20427	32000	36821	40000	
		25	3.6	1502	1.9	82.72	20091	32000	36934	40000	

UNICASE Parallel shaft gear motors

P1	n1	n2 nom	n2 min	M2	fB	i	FR	FA	FR (VL)	FA (VL)	Gearmotor
[kW]	[rpm]	[rpm]	[rpm]	[Nm]			[N]	[N]	[N]	[N]	
4	3000	7.6	0.8	5009	1.2	393.19	31966	46500	52206	60000	SK 6382 - 100T2/4D
		9.4	0.9	4044	1.4	317.28	35991	46500	53250	60000	
		11	1.1	3411	1.7	267.59	36858	46500	53798	60000	
		12	1.2	3204	1.4	251.76	36302	46500	53948	60000	
		13	1.3	2875	1.4	225.79	35984	46500	54203	60000	
		14	1.4	2703	1.7	212.33	35418	46500	54311	60000	
		18	1.8	2182	2.6	171.34	34131	46500	54640	60000	
		19	1.9	2039	2.8	159.88	33854	46500	54729	60000	
		24	2.4	1615	2.8	126.87	32111	46500	54937	60000	
4	2100	5.3	0.8	7156	0.8	393.19	7442	46500	43677	60000	SK 6382 - 100T5/4
		6.6	0.9	5778	1.0	317.28	27610	46500	49658	60000	
		7.8	1.1	4874	1.2	267.59	32617	46500	52413	60000	
		8.3	1.2	4577	1.0	251.76	33935	46500	52710	60000	
		9.3	1.3	4108	1.0	225.79	35766	46500	53191	60000	
		9.9	1.4	3861	1.2	212.33	36617	46500	53402	60000	
		12	1.8	3117	1.8	171.34	36170	46500	54014	60000	
		13	1.9	2912	2.0	159.88	36055	46500	54177	60000	
				17	2.4	2307	2.0	126.87	34483	46500	
		18	2.6	2088	2.8	114.79	34014	46500	54701	60000	
5.5	3000	101	10	519	1.0	29.65	4423	9604	11199	15000	SK 2282 - 100T5/4D
		112	11	469	0.9	26.83	4504	9691	11067	15000	
		120	12	437	1.1	24.97	4477	9595	10911	15000	
		125	13	420	1.0	23.96	4520	9653	10867	15000	
		137	14	383	1.3	21.90	4483	9531	10668	15000	
		162	16	324	1.5	18.51	4435	9352	10326	15000	
		181	18	290	1.6	16.53	4402	9235	10103	15000	
		227	23	231	1.8	13.23	4243	8623	9592	15000	
		254	25	207	1.9	11.81	4182	8340	9363	15000	
		295	30	178	2.0	10.15	4089	7961	9050	15000	
		333	33	158	2.1	9.03	4007	7666	8799	15000	
		359	36	146	1.7	8.37	3883	7331	8591	15000	
		401	40	131	1.9	7.48	3807	7087	8367	15000	
		466	47	113	2.0	6.43	3697	6762	8065	14480	
		526	53	99.8	2.1	5.72	3604	6508	7826	14056	
665	66	79.0	2.4	4.51	3420	6035	7374	13249			

UNICASE Parallel shaft gear motors

P1	n1	n2 nom	n2 min	M2	fB	i	FR	FA	FR (VL)	FA (VL)	Gearmotor
[kW]	[rpm]	[rpm]	[rpm]	[Nm]			[N]	[N]	[N]	[N]	
5.5	3000	71	7.1	736	1.3	42.02	5470	11358	13901	20000	SK 3282 - 100T5/4D
		79	7.9	662	1.3	37.77	5488	11308	13898	20000	
		94	9.4	558	1.6	31.93	5545	11292	13541	20000	
		105	10	502	1.7	28.70	5510	11160	13265	20000	
		116	12	453	1.9	25.88	5485	11052	13011	20000	
		127	13	415	1.9	23.71	5410	10856	12756	20000	
		134	13	392	2.0	22.45	5443	10833	12663	19887	
		140	14	374	1.9	21.38	5363	10550	12493	19612	
		149	15	353	2.3	20.18	5364	10457	12369	19432	
		180	18	292	2.9	16.67	5202	9808	11842	18612	
5.5	3000	27	2.7	1939	0.8	110.78	10115	21471	22680	30000	SK 4282 - 100T5/4D
		33	3.3	1585	1.0	90.52	10276	21449	23109	30000	
		39	3.9	1343	1.2	76.70	10232	21141	23355	30000	
		40	4.0	1320	1.2	75.39	10453	21526	23385	30000	
		49	4.9	1079	1.7	61.60	10332	21063	23594	30000	
		57	5.7	914	2.0	52.20	10123	20506	22797	30000	
		67	6.7	789	2.0	45.05	10108	20341	22232	30000	
		69	6.9	764	2.1	43.65	9909	19947	21952	30000	
		74	7.4	714	2.2	40.74	9976	20012	21761	30000	
		81	8.1	645	2.2	36.81	9785	19578	21242	30000	
		82	8.2	637	2.2	36.40	9587	19205	21037	30000	
		93	9.3	566	2.9	32.34	9614	19166	20648	30000	
5.5	3000	22	2.2	2347	1.1	134.03	18082	32000	36221	40000	SK 5282 - 100T5/4D
		30	3.0	1753	1.3	100.19	17930	32000	36755	40000	
		33	3.3	1607	1.7	91.81	17522	32000	36848	40000	
		37	3.7	1430	1.3	81.61	17283	32000	36974	40000	
		44	4.4	1201	2.5	68.63	16944	32000	35886	40000	
		54	5.4	979	2.7	55.90	16195	32000	34115	40000	
		54	5.4	973	2.6	55.55	16150	31403	33983	40000	
		63	6.3	828	2.9	47.27	15582	30712	32699	40000	
5.5	3000	15	1.5	3550	0.9	202.57	17894	32000	34774	40000	SK 5382 - 100T5/4D
		18	1.8	3000	0.9	171.27	17901	32000	35500	40000	
		20	2.0	2693	1.2	153.92	18178	32000	35868	40000	
		22	2.2	2430	1.3	138.82	18155	32000	36147	40000	
		26	2.6	2053	1.3	117.37	17837	32000	36497	40000	
		33	3.3	1602	1.8	91.71	17727	32000	36865	40000	
		36	3.6	1445	1.9	82.72	17468	32000	36971	40000	

UNICASE Parallel shaft gear motors

P1	n1	n2 nom	n2 min	M2	fB	i	FR	FA	FR (VL)	FA (VL)	Gearmotor
[kW]	[rpm]	[rpm]	[rpm]	[Nm]			[N]	[N]	[N]	[N]	
5.5	3000	7.6	0.8	6888	0.9	393.19	15504	46500	45008	60000	SK 6382 - 100T5/4D
		9.4	0.9	5561	1.0	317.28	28969	46500	50427	60000	
		11	1.1	4691	1.3	267.59	32549	46500	52610	60000	
		12	1.2	4405	1.0	251.76	32159	46500	52885	60000	
		13	1.3	3954	1.0	225.79	32352	46500	53334	60000	
		14	1.4	3716	1.3	212.33	31925	46500	53529	60000	
		18	1.8	3000	1.9	171.34	31314	46500	54101	60000	
		19	1.9	2803	2.1	159.88	31282	46500	54253	60000	
		24	2.4	2221	2.1	126.87	30025	46500	54617	60000	
26	2.6	2010	2.9	114.79	29678	46500	54744	60000			

NORD IE4 motor data

Axis height: 80. 90. 100

T=2100 rpm in star connection. 3000 rpm in delta connection

Package length: 1..9 The code depends on the length and axis height

Number of poles

Typ: __ = Standard, HM = smooth surface & nsd tupH

80 T 1 /4 HM

Baugröße	M _N [Nm]	P _N [W]	n _N [rpm]	I [A]	η	J [kgm ²]	J [kg]	M _{max} [Nm]	K _T [Nm/A]	K _E [mV/rpm]
80T1/4	5,0	1,1	2100	2,07	90,5	0,0011	8,0	14,4	2,50	154,00
80T1/4 Δ	4,8	1,5	3000	3,44	90,4	0,0011	8,0	14,4	1,40	89,00
90T1/4	6,8	1,5	2100	2,82	89,9	0,0019	10,0	21,0	2,40	156,00
90T1/4 Δ	7,0	2,2	3000	5,09	89,6	0,0019	10,0	21,0	1,40	90,00
90T3/4	10,0	2,2	2100	4,13	90,5	0,0024	12,0	29,0	2,40	158,00
90T3/4 Δ	9,5	3,0	3000	6,84	92,3	0,0024	12,0	29,0	1,40	91,00
100T2/4	13,6	3,0	2100	5,40	91,4	0,0046	18,0	42,0	2,60	161,00
100T2/4 Δ	12,7	4,0	3000	8,90	92,1	0,0046	18,0	42,0	1,50	93,00
100T5/4	18,2	4,0	2100	7,10	92,1	0,0060	21,0	57,0	2,60	165,00
100T5/4 Δ	17,5	5,5	3000	11,90	92,2	0,0060	21,0	57,0	1,50	95,00

Size	M _N [Nm]	P _N [W]	n _N [rpm]	I [A]	η	J [kgm ²]	J [kg]	M _{max} [*] [Nm]	K _T [Nm/A]	K _E [mV/rpm]
80T1/4 HM	3,41	0,75	2100	1,46	90,5	0,0011	7,8	14,4	2,30	154,00
90T3/4 HM	5,0	1,1	2100	2,08	92,7	0,0024	11,6	28,3	2,40	156,00
100T5/4 HM	10,0	2,2	2100	4,16	91,0	0,0060	20,2	53,5	2,40	165,00

* short time

Motor	M _N [Nm]	P _N [kW]	n _N [min-1]	BRE 5		BRE 10		BRE 20		BRE 40		BRE 60	
				M _B [Nm]	f _B	M _B [Nm]	f _B	M _B [Nm]	f _B	M _B [Nm]	f _B	M _B [Nm]	f _B
80T1/4	5,0	1,1	2.100	5	1,0	10	2,0	20 *	4,0				
80T1/4 Δ	4,8	1,5	3.000	5	1,0	10	2,1	20 *	4,2				
90T1/4	6,8	1,5	2.100			10	1,5	20	2,9	40 *	5,9		
90T1/4 Δ	7,0	2,2	3.000			10	1,4	20	2,9	40 *	5,7		
90T3/4	10,0	2,2	2.100			10	1,0	20	2,0	40 *	4,0		
90T3/4 Δ	9,6	3,0	3.000			10	1,0	20	2,1	40 *	4,2		
100T2/4	13,6	3,0	2.100					20	1,5	40	2,9	60 *1)	4,4
100T2/4 Δ	12,7	4,0	3.000					20	1,6	40	3,1	60 *1)	4,7
100T5/4	18,2	4,0	2.100					20	1,1	40	2,2	60 *1)	3,3
100T5/4 Δ	17,5	5,5	3.000					20	1,1	40	2,3	60 *1)	3,4
Weight [kg]				2		3		5,5		7		10	
J [10 ⁻³ kgm ²]				0,015		0,045		0,153		0,45		0,86	

bold print braking moments: standard version

* IP 66 brake not possible 1) manual release not possible

Key		Discriptions
BRE +		Brake / braking torque + sub-option
	RG *	Corrosion protected version
	SR *	Dust and corrosion protected version
	FHL *	Lockable manual release
	HL	Manual brake release
	MIK	Micro switch
NRB1/2		Noise-reduced brake
ERD		External earth terminal
TF		Thermistor. PTC resistor
TW		Thermostat. bimetallic switch
SH		Standstill heating
WE +		2nd shaft end
	HR	Handwheel
RD		Protective shield
RDT		Protective shield. textile fan cowl
RDD		Double fan-cowl
OL		Without fan
OL/H		Without fan. without cover
KB		Closable condensation hole
MS		Plug-on motor coupling
EKK		One-piece terminal box
KKV		Terminal box. encapsulated
FEU		Moisture protection insulation
TRO		Tropicalised insulation
F		External fan
RLS		Back stop
IG1	(IG11. 12)	Pulsed incremental encoder 1024
IG2	(IG21. 22)	Pulsed incremental encoder 2048
IG4	(IG41. 42)	Pulsed incremental encoder 4096
MG		Magnetic incremental encoder
IG.P		Incremental encoder with plug connector
IG.K		Encoder with terminal box
AG		Absolute encoder

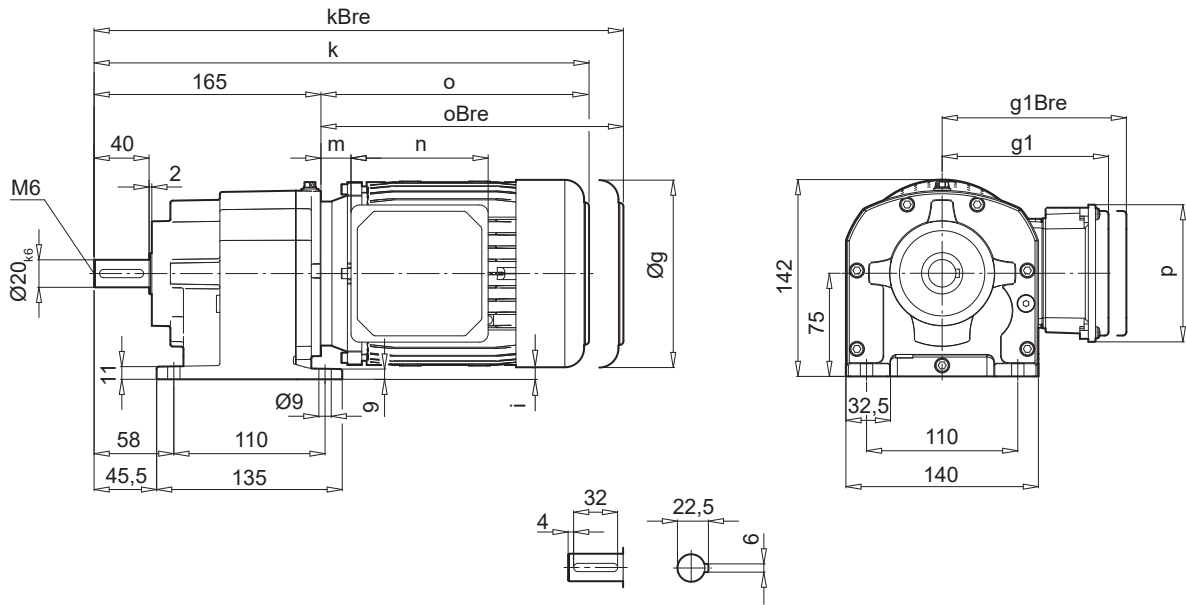
* For further information. please refer to motor catalogue M7000

Options for HM-Motors

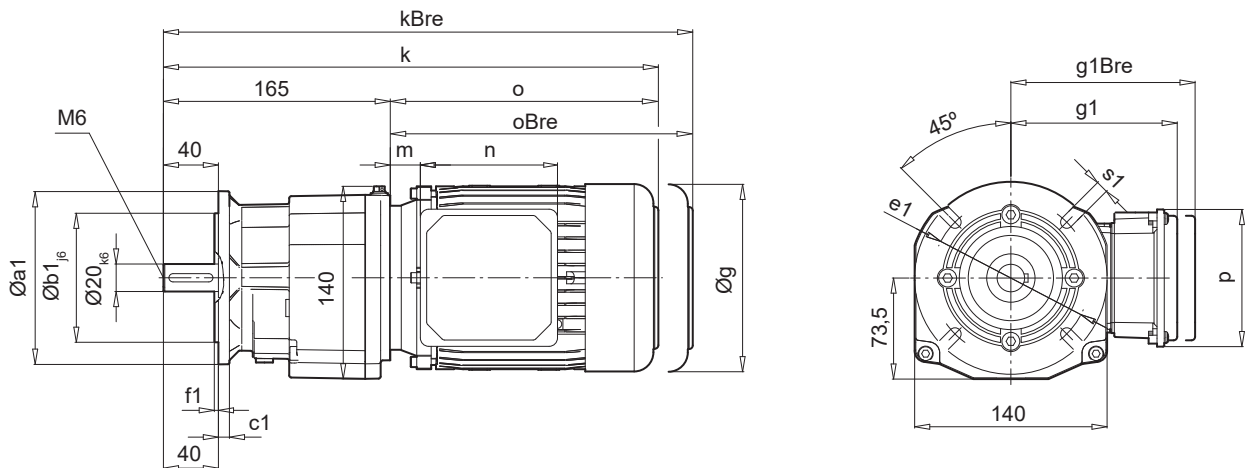
Key	Discriptions
IP66	IP66 Protection class
KB	Closable condensation hole
KKV	Terminal box. encapsulated
SH	Standstill heating
TF	Thermistor. PTC resistor
TW	Thermostat. bimetallic switch
nsd tupH	nsd tupH surface treatment (HMT Motor type)

SK 172.1

SK 172.1



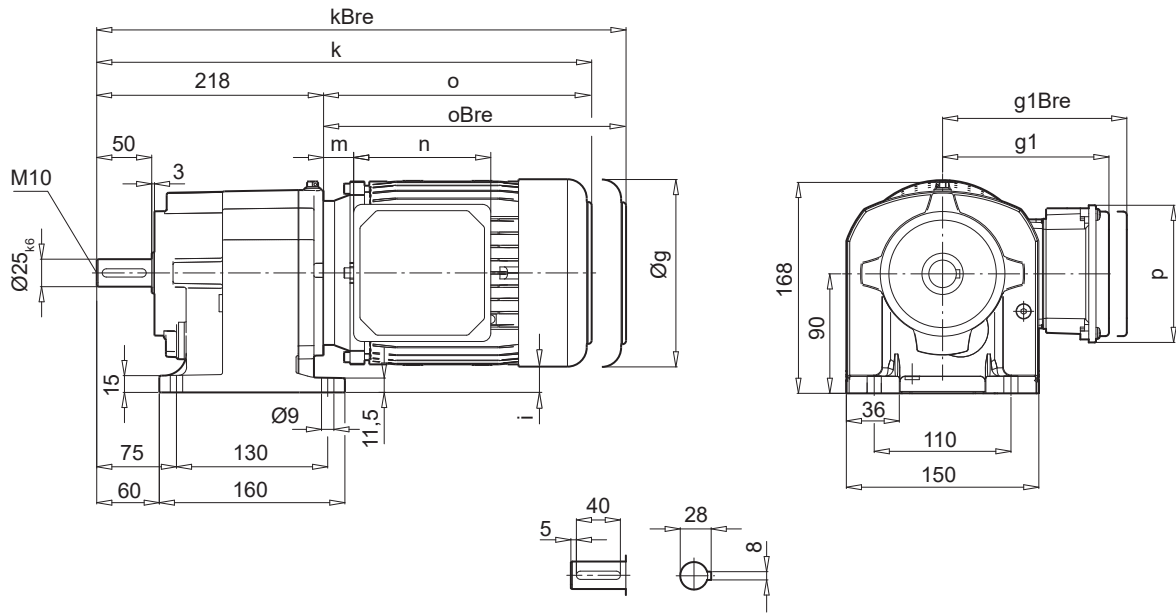
SK 172.1F



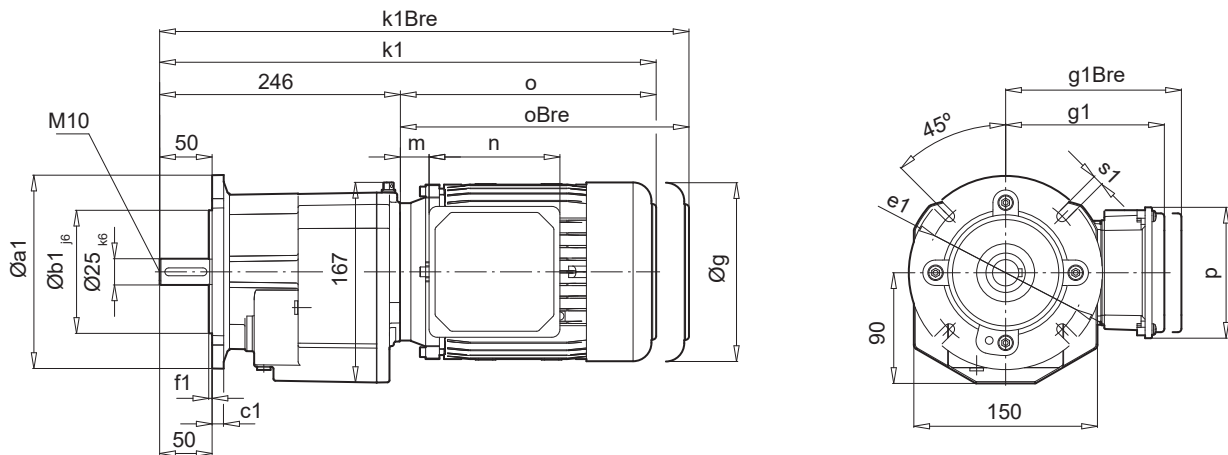
a1	b1	c1	e1	f1	s1
120	80	8	100	3,0	6,6
140	95	8	115	3,0	9
160	110	10	130	3,5	9
200	130	12	165	3,5	11

	80T1	90T1 / 90T3
g	165	183
g1 / g1Bre	142 / 142	147 / 147
k / kBre	401 / 465	441 / 516
o / oBre	236 / 300	276 / 351
m / mBre	22 / 26	26 / 30
n / nBre	114 / 153	114 / 153
p / pBre	114 / 108	114 / 108
i	-7,5	-16,5

SK 372.1



SK 372.1F

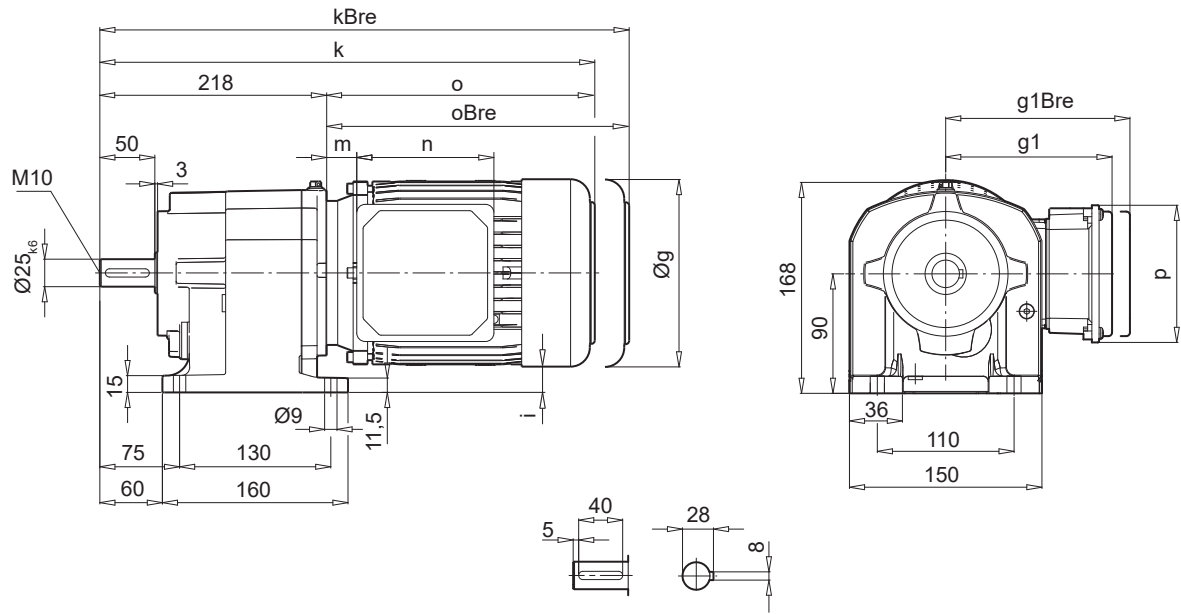


a1	b1	c1	e1	f1	s1
120	See catalog G1000 page B75				
140	95	9	115	3,0	8,6
160	110	10	130	3,5	8,6
200	130	12	165	3,5	11
250	180	15	215	4,0	13,5

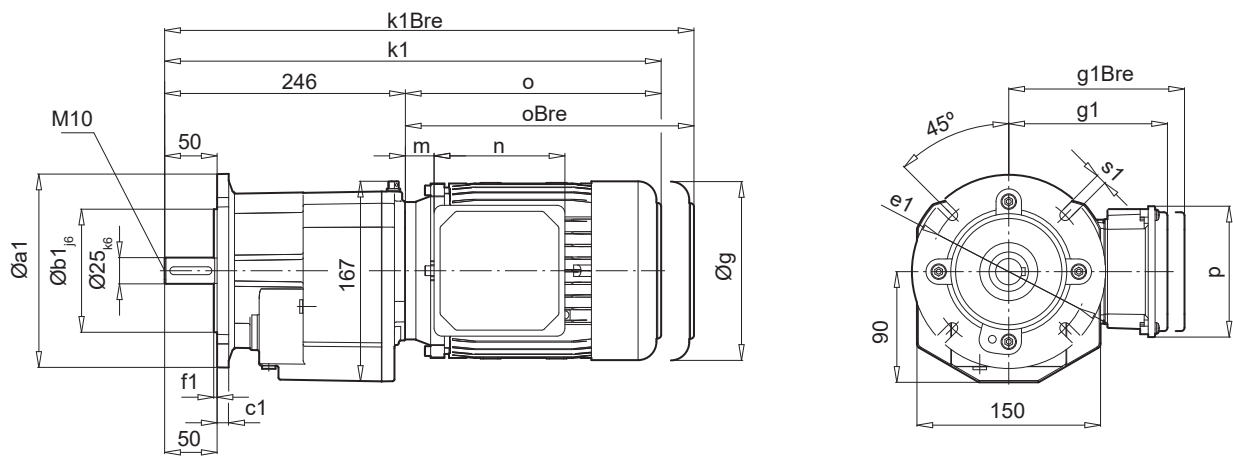
	80T1	90T1 / 90T3	100T2 / 100T5
g	165	183	201
g1 / g1Bre	142 / 142	147 / 147	169 / 172
k / kBre	479 / 543	520 / 595	550 / 641
k1 / k1Bre	507 / 571	548 / 623	578 / 669
o / oBre	261 / 325	302 / 377	332 / 423
m / mBre	47 / 51	52 / 56	58 / 62
n / nBre	114 / 153	114 / 153	114 / 153
p / pBre	144 / 108	144 / 108	144 / 108
i	7,5	-1,5	-10,5

SK 373.1

SK 373.1



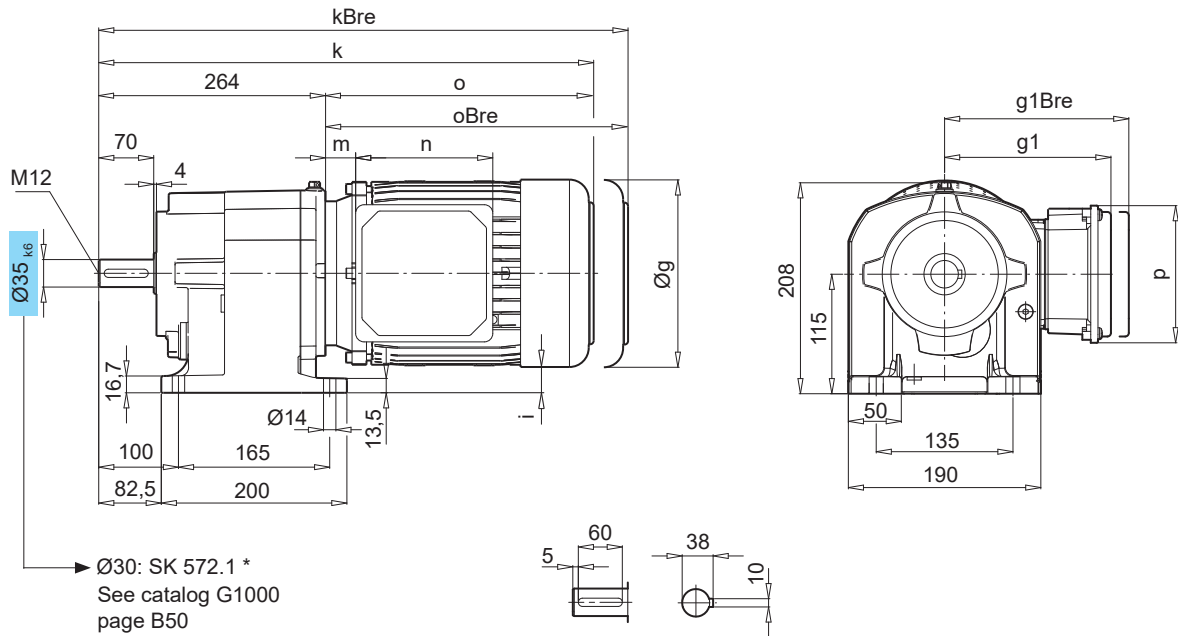
SK 373.1F



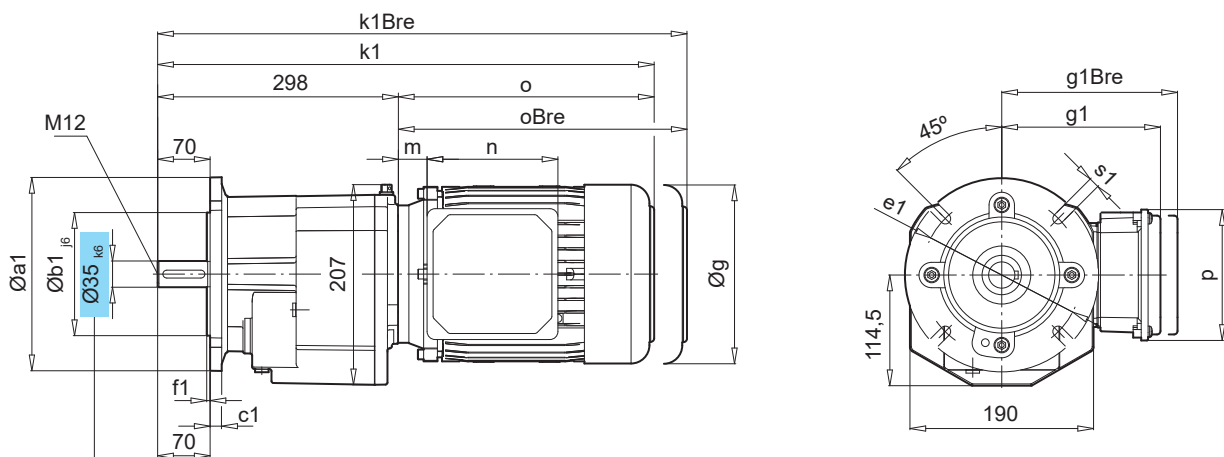
a1	b1	c1	e1	f1	s1
120	See catalog G1000 page B77				
140	95	9	115	3,0	8,6
160	110	10	130	3,5	8,6
200	130	12	165	3,5	11
250	180	15	215	4,0	13,5

	80T1	90T1 / 90T3
g	165	183
g1 / g1Bre	142 / 142	147 / 147
k / kBre	479 / 543	520 / 595
k1 / k1Bre	507 / 571	548 / 623
o / oBre	261 / 325	302 / 377
m / mBre	47 / 51	52 / 56
n / nBre	114 / 153	114 / 153
p / pBre	144 / 108	144 / 108
i	7,5	-1,5

SK 572.1



SK 572.1F



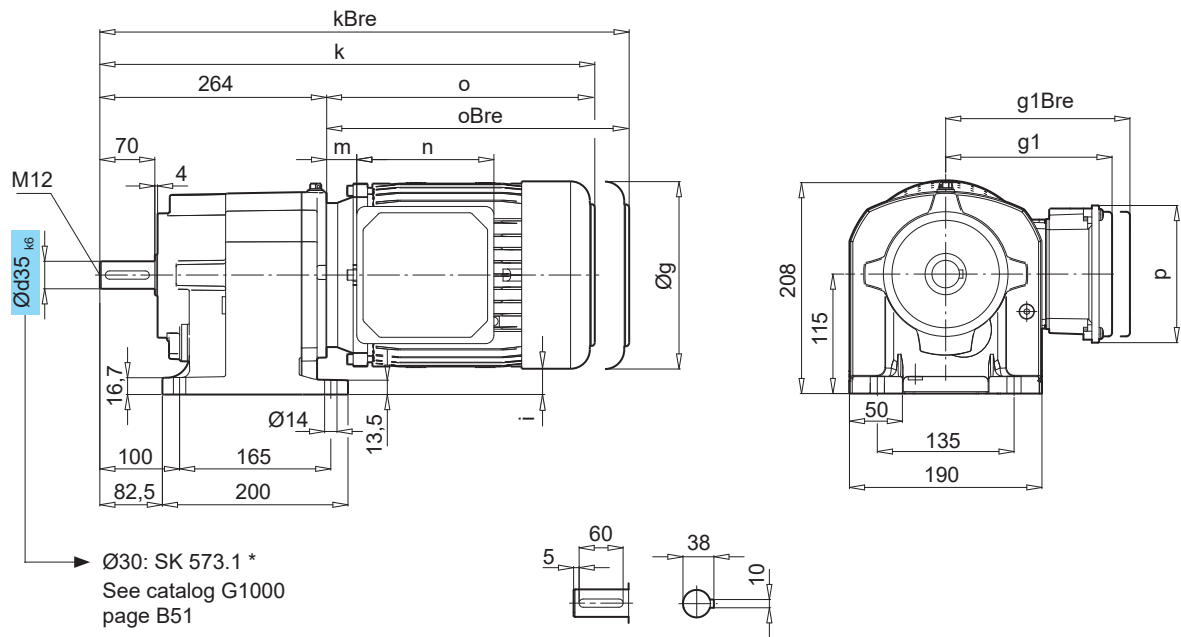
a1	b1	c1	e1	f1	s1
140	See catalog G1000 page B77				
160					
200	130	12	165	3,5	11,0
250	180	15	215	4,0	13,5
300	230	15	265	4,0	14,0

	80T1	90T1 / 90T3	100T2 / 100T5
g	165	183	201
g1 / g1Bre	142 / 142	147 / 147	169 / 172
k / kBre	525 / 589	566 / 641	596 / 687
k1 / k1Bre	559 / 623	600 / 675	630 / 721
o / oBre	261 / 325	302 / 377	332 / 423
m / mBre	47 / 51	52 / 56	58 / 62
n / nBre	114 / 153	114 / 153	114 / 153
p / pBre	144 / 108	144 / 108	144 / 108
i	32,5	23,5	14,5

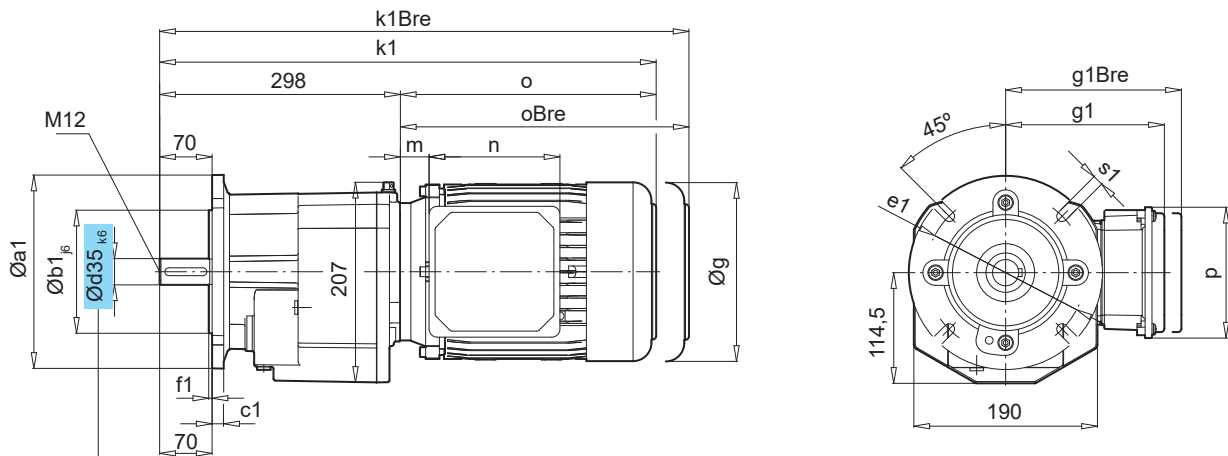
SK 573.1

NORDBLOC.1 in-line gear units

SK 573.1



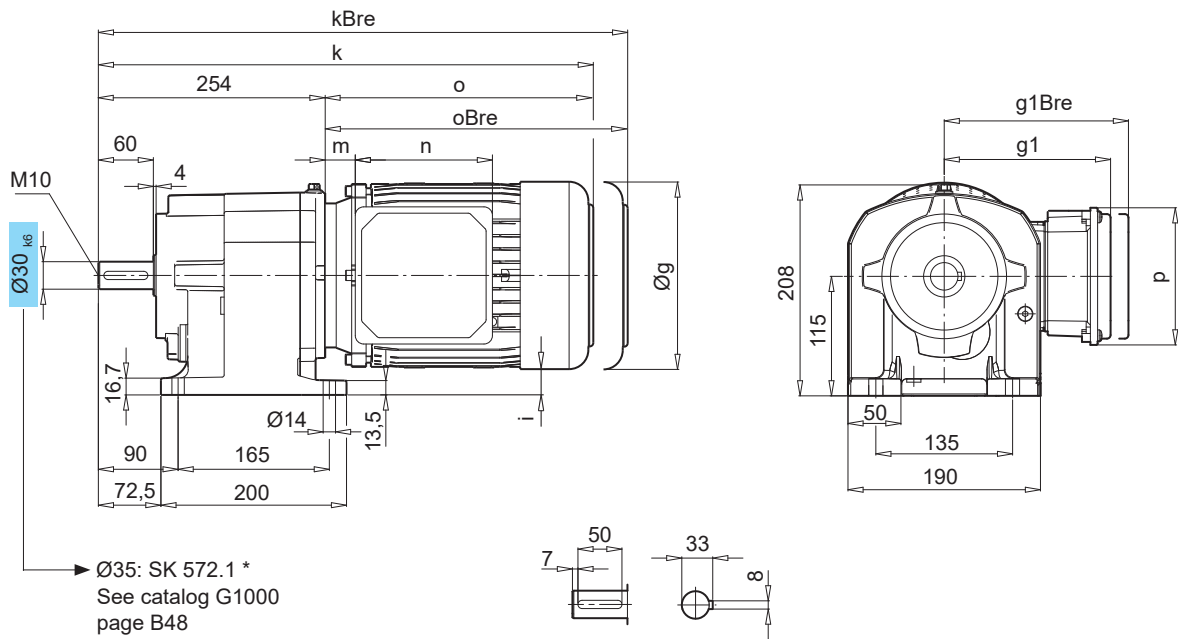
SK 573.1F



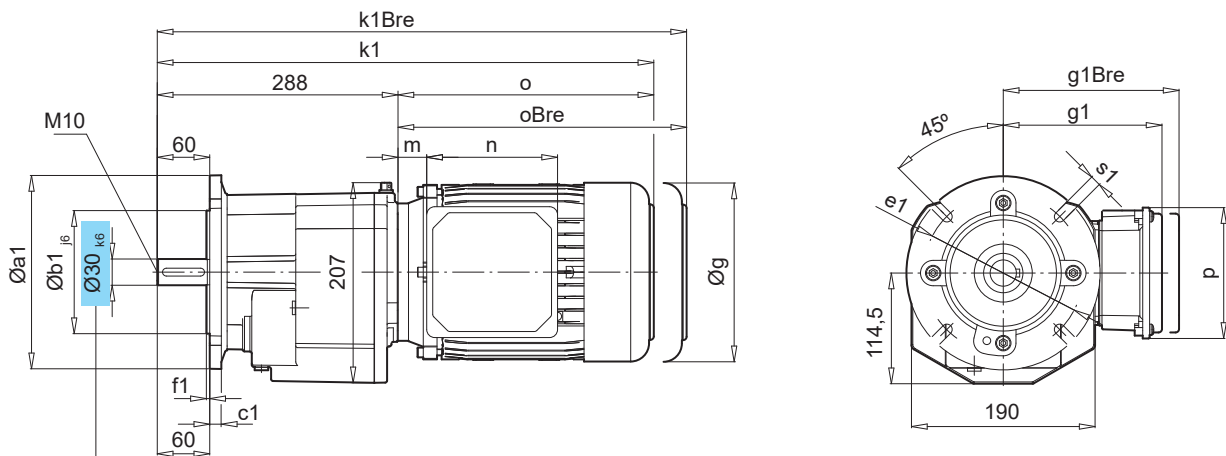
a1	b1	c1	e1	f1	s1
140	See catalog G1000 page B77				
160					
200	130	12	165	3,5	11,0
250	180	15	215	4,0	13,5
300	230	15	265	4,0	14,0

	80T1	90T1 / 90T3	100T2 / 100T5
g	165	183	201
g1 / g1Bre	142 / 142	147 / 147	169 / 172
k / kBre	525 / 589	566 / 641	596 / 687
k1 / k1Bre	559 / 623	600 / 675	630 / 720
o / oBre	261 / 325	302 / 377	332 / 423
m / mBre	47 / 51	52 / 56	58 / 62
n / nBre	114 / 153	114 / 153	114 / 153
p / pBre	144 / 108	144 / 108	144 / 108
i	32,5	23,5	14,5

SK 572.1 *



SK 572.1F *

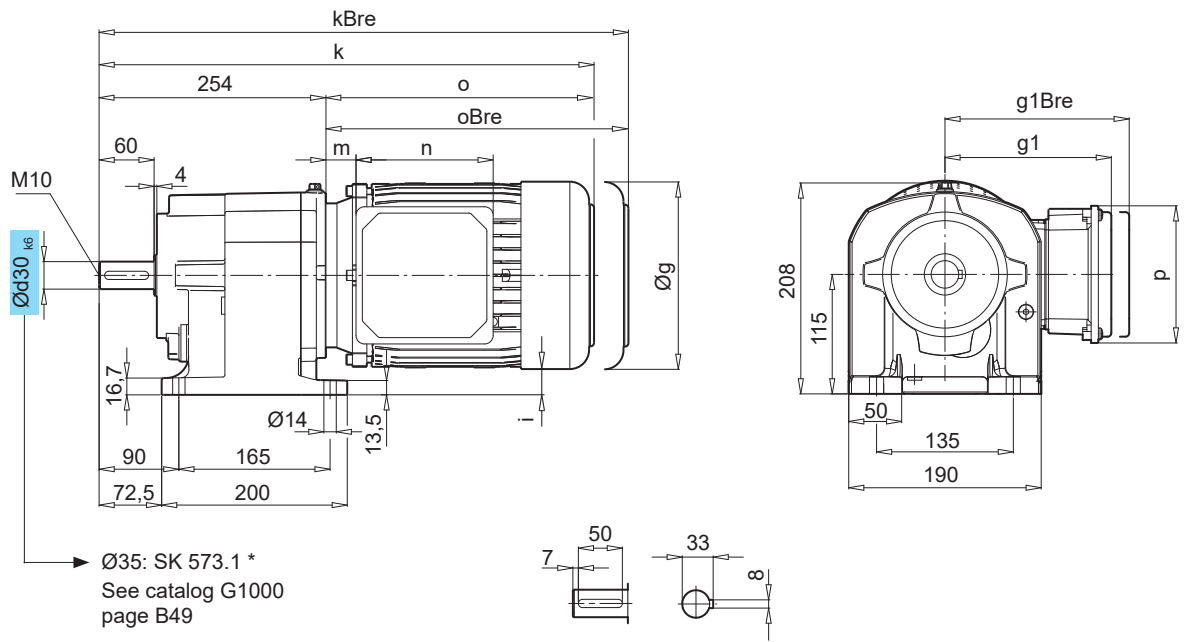


a1	b1	c1	e1	f1	s1
140	See catalog G1000 page B76				
160					
200	130	12	165	3,5	11,0
250	180	15	215	4,0	13,5
300	230	15	265	4,0	14,0

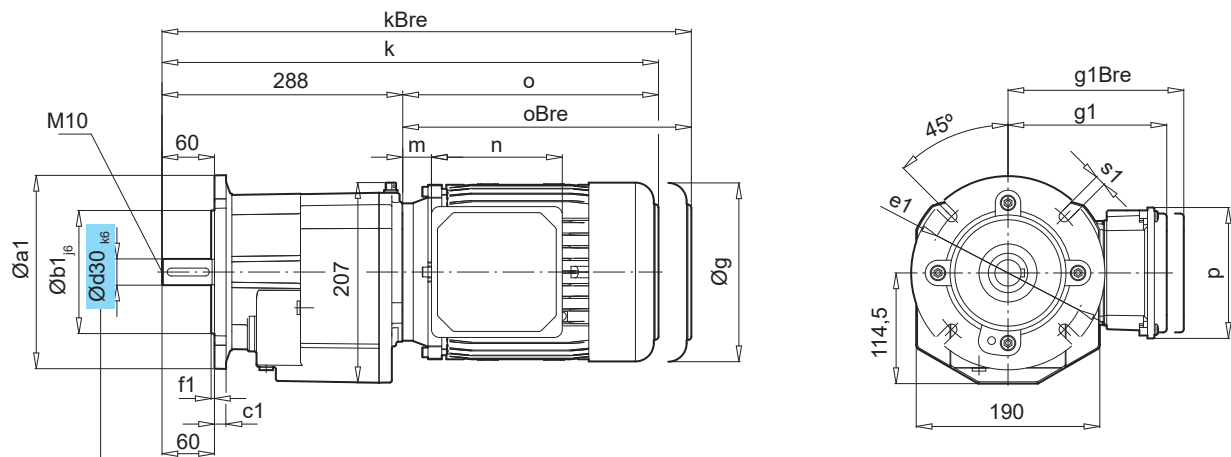
	80T1	90T1 / 90T3	100T2 / 100T5
g	165	183	201
g1 / g1Bre	142 / 142	147 / 147	169 / 172
k / kBre	515 / 579	556 / 631	586 / 677
k1 / k1Bre	549 / 603	590 / 665	620 / 711
o / oBre	261 / 325	302 / 377	332 / 423
m / mBre	47 / 51	52 / 56	58 / 62
n / nBre	114 / 153	114 / 153	114 / 153
p / pBre	144 / 108	144 / 108	144 / 108
i	32,5	23,5	14,5

SK 573.1

SK 573.1 *



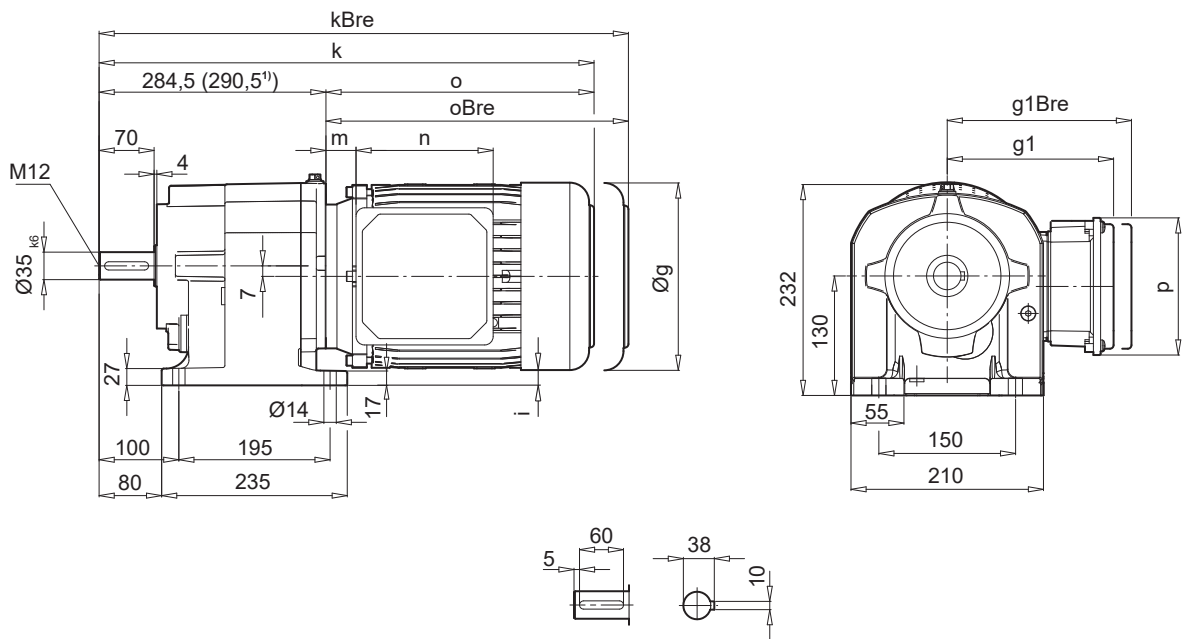
SK 573.1F *



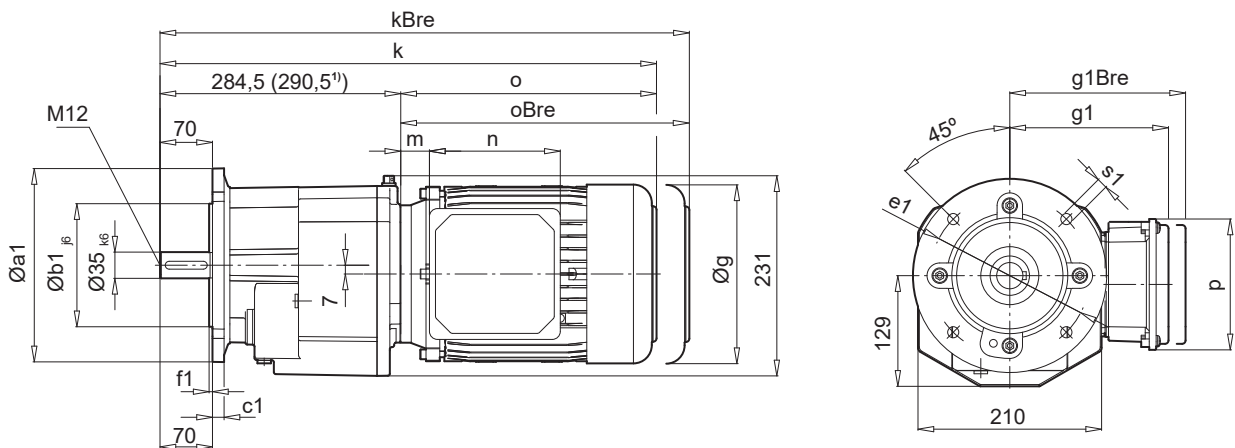
a1	b1	c1	e1	f1	s1
140	See catalog G1000 page B76				
160					
200	130	12	165	3,5	11,0
250	180	15	215	4,0	13,5
300	230	15	265	4,0	14,0

	80T1	90T1 / 90T3	100T2 / 100T5
g	165	183	201
g1 / g1Bre	142 / 142	147 / 147	169 / 172
k / kBre	515 / 579	556 / 631	586 / 677
k1 / k1Bre	549 / 603	590 / 665	620 / 711
o / oBre	261 / 325	302 / 377	332 / 423
m / mBre	47 / 51	52 / 56	58 / 62
n / nBre	114 / 153	114 / 153	114 / 153
p / pBre	144 / 108	144 / 108	144 / 108
i	32,5	23,5	14,5

SK 672.1



SK 672.1F

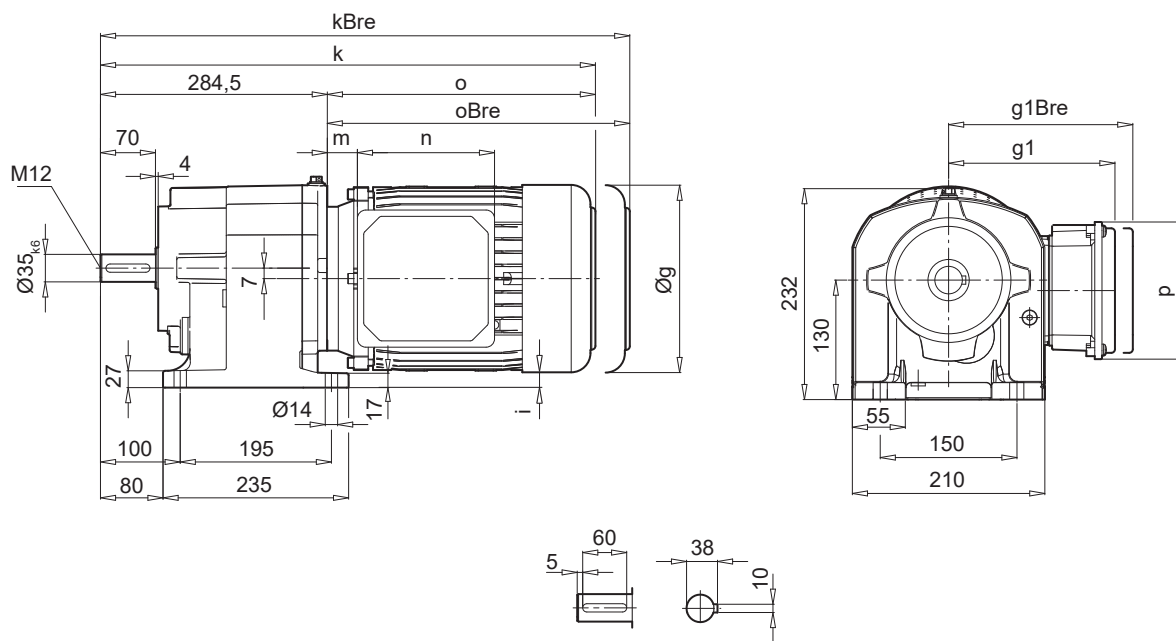


a1	b1	c1	e1	f1	s1
200	130	12	165	3,5	11
250	180	16	215	4	14

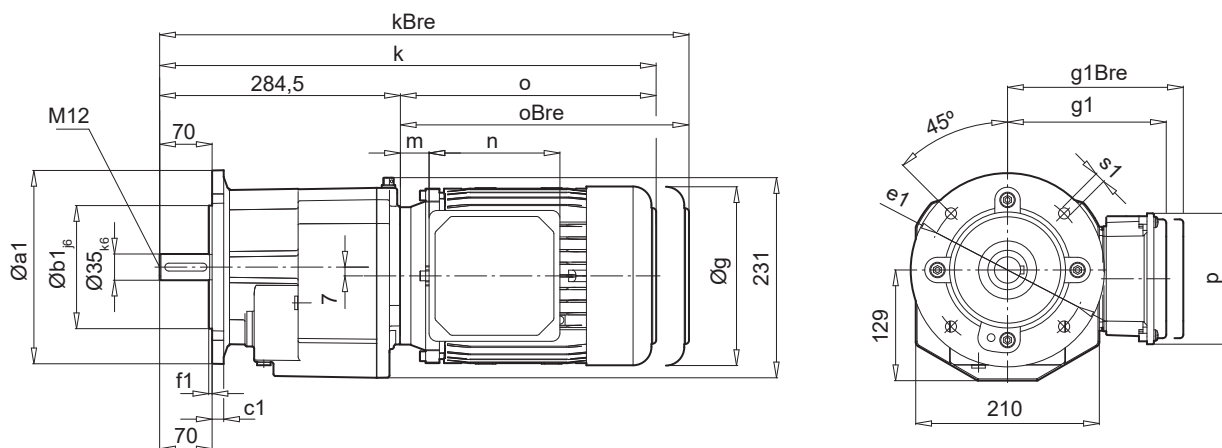
	80T1	90T1 / 90T3	100T2 / 100T5
g	165	183	201
g1 / g1Bre	142 / 142	147 / 147	169 / 172
k / kBre	546 / 610	587 / 662	617 / 708
o / oBre	261 / 325	302 / 377	332 / 423
m / mBre	47 / 51	52 / 56	58 / 62
n / nBre	114 / 153	114 / 153	114 / 153
p / pBre	114 / 108	114 / 108	114 / 108
i	40,5	31,5	22,5

SK 673.1

SK 673.1



SK 673.1F

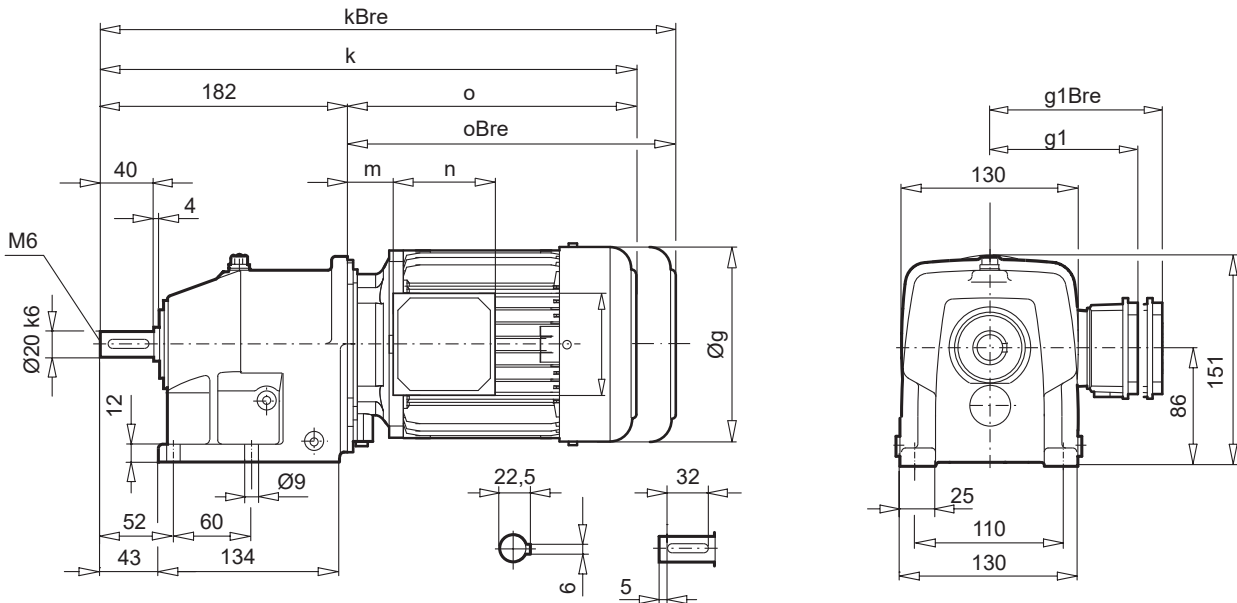


a1	b1	c1	e1	f1	s1
200	130	12	165	3,5	11
250	180	16	215	4	14

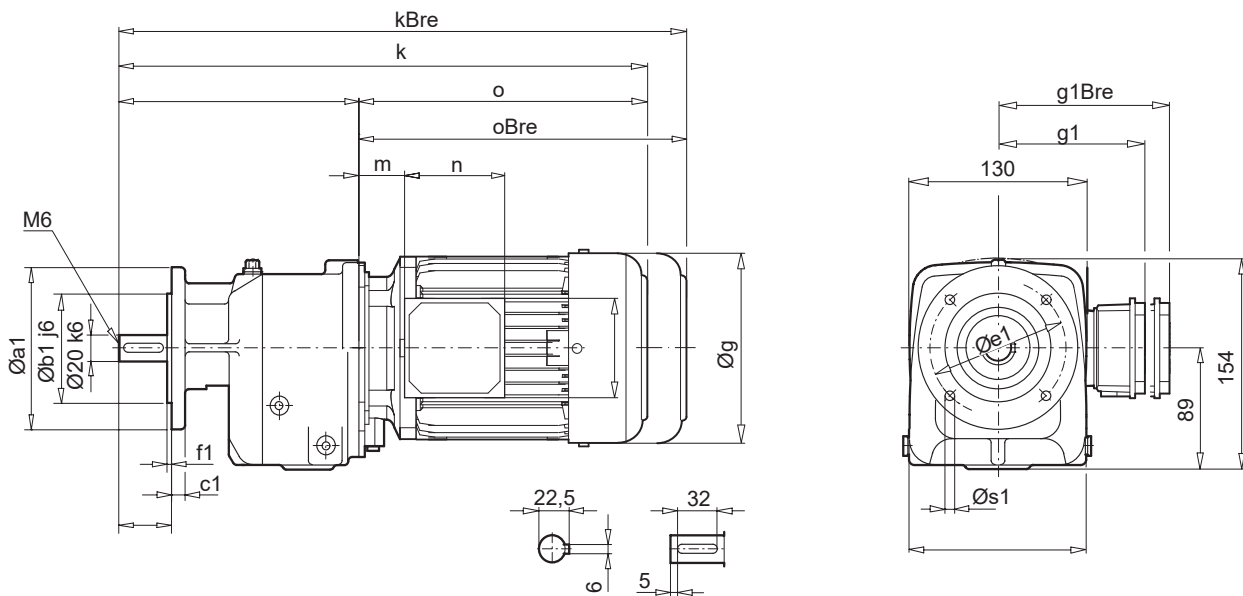
	80T1	90T1 / T3	100T2 / 100T5
g	165	183	201
g1 / g1Bre	142 / 142	147 / 147	169 / 172
k / kBre	546 / 610	587 / 662	617 / 708
o / oBre	261 / 325	302 / 377	332 / 423
m / mBre	47 / 51	52 / 56	58 / 62
n / nBre	114 / 153	114 / 153	114 / 153
p / pBre	114 / 108	114 / 108	114 / 108
i	40,5	31,5	22,5

SK 02

SK 02



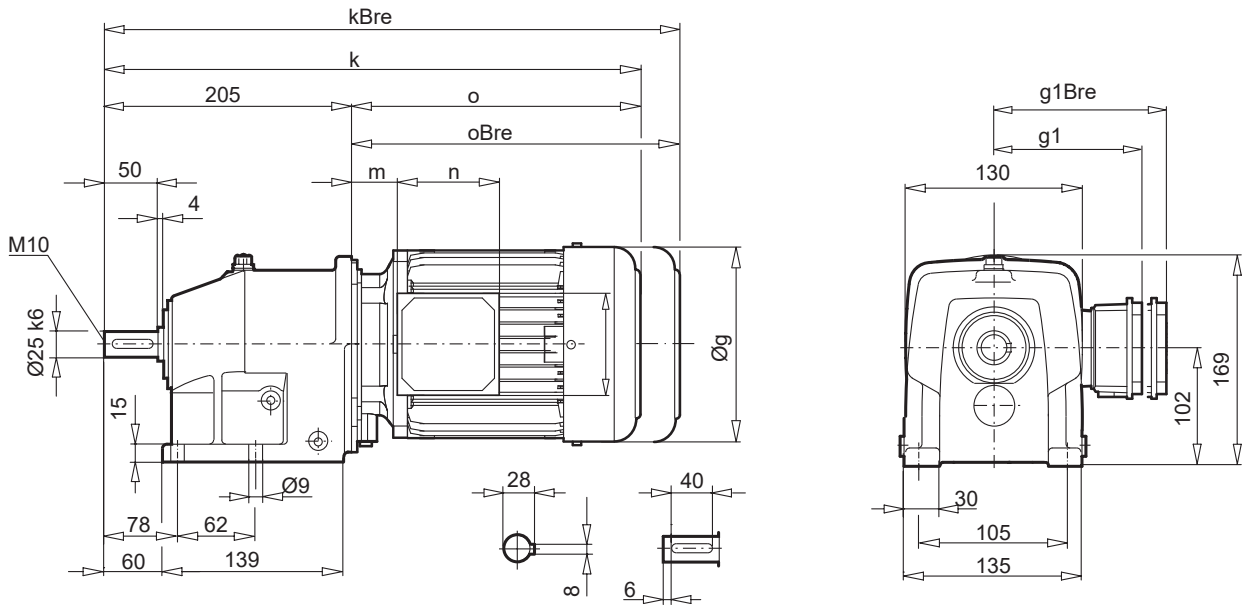
SK 02F



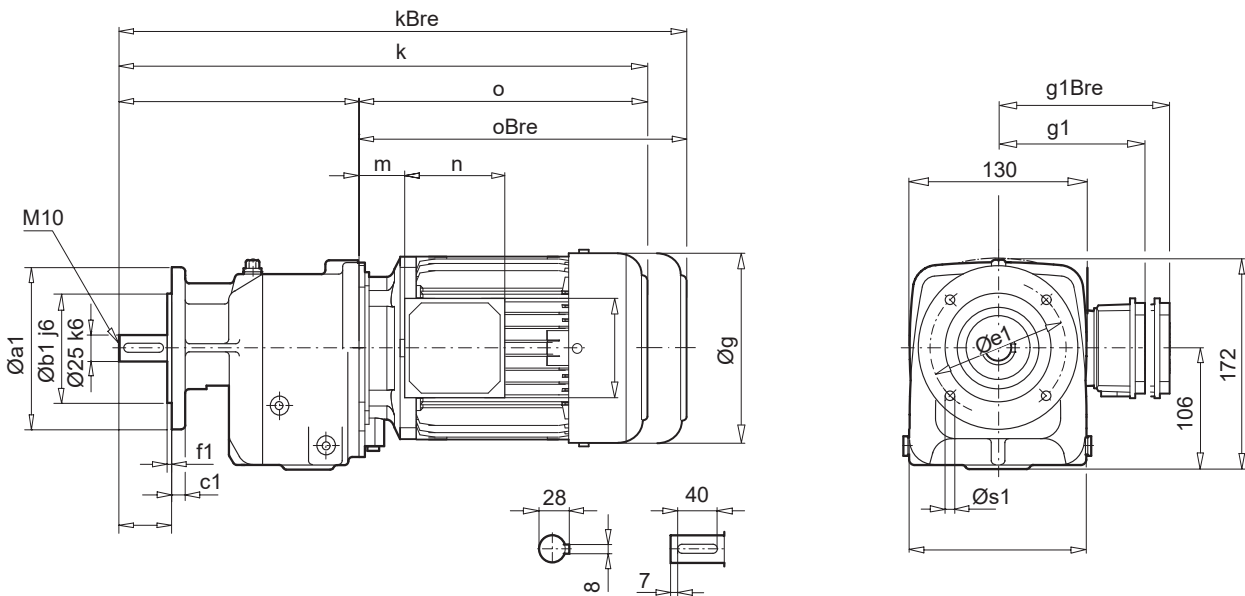
a1	b1	c1	e1	f1	s1
120	80	10	100	3,0	7
140	95	10	115	3,0	9
160	110	10	130	3,5	9

	80T1	90T1 / 90T3	100T2 / 100T5
g	165	183	201
g1 / g1Bre	142 / 142	147 / 147	169 / 173
k / kBre	443 / 507	484 / 559	514 / 605
o / oBre	261 / 325	302 / 377	332 / 423
m / mBre	47 / 51	52 / 56	58 / 62
n / nBre	114 / 153	114 / 153	114 / 153
p / pBre	114 / 108	114 / 108	114 / 108

SK 12



SK 12F

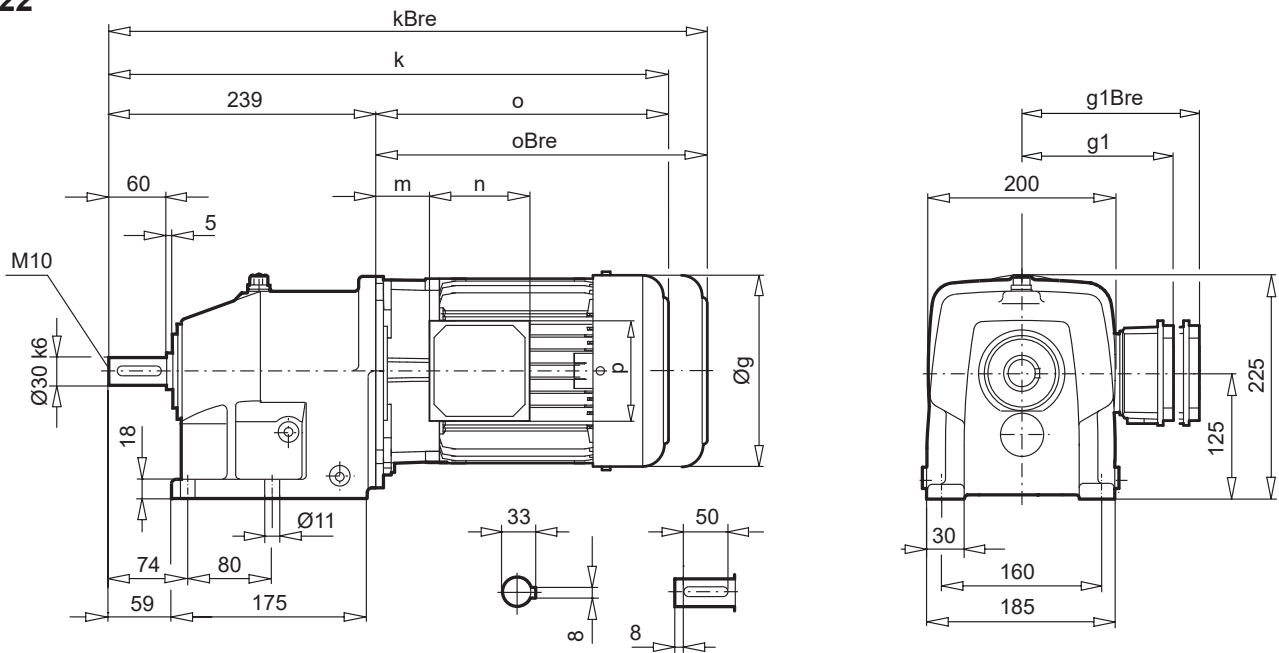


a1	b1	c1	e1	f1	s1
120	80	10	100	3,0	7
140	95	10	115	3,0	9
160	110	10	130	3,5	9

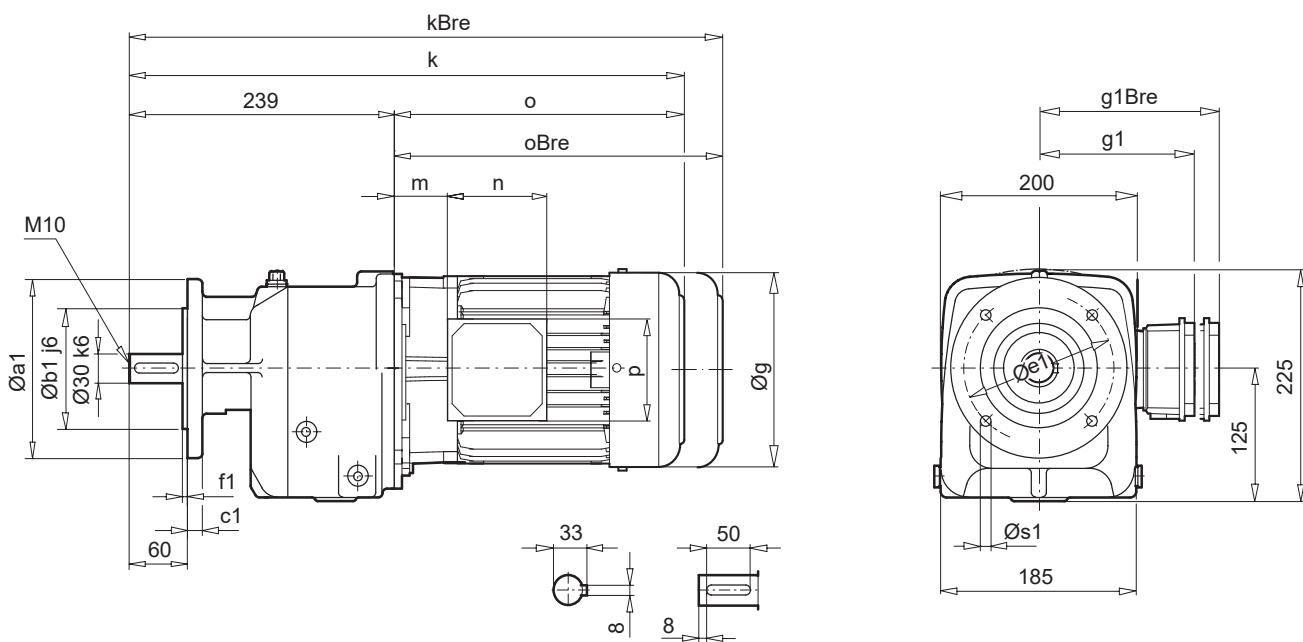
	80T1	90T1 / 90T3	100T2 / 100T5
g	165	183	201
g1 / g1Bre	142 / 142	147 / 147	169 / 173
k / kBre	466 / 530	507 / 582	537 / 628
o / oBre	261 / 325	302 / 377	332 / 423
m / mBre	47 / 51	52 / 56	58 / 62
n / nBre	114 / 153	114 / 153	114 / 153
p / pBre	114 / 108	114 / 108	114 / 108

SK 22

SK 22



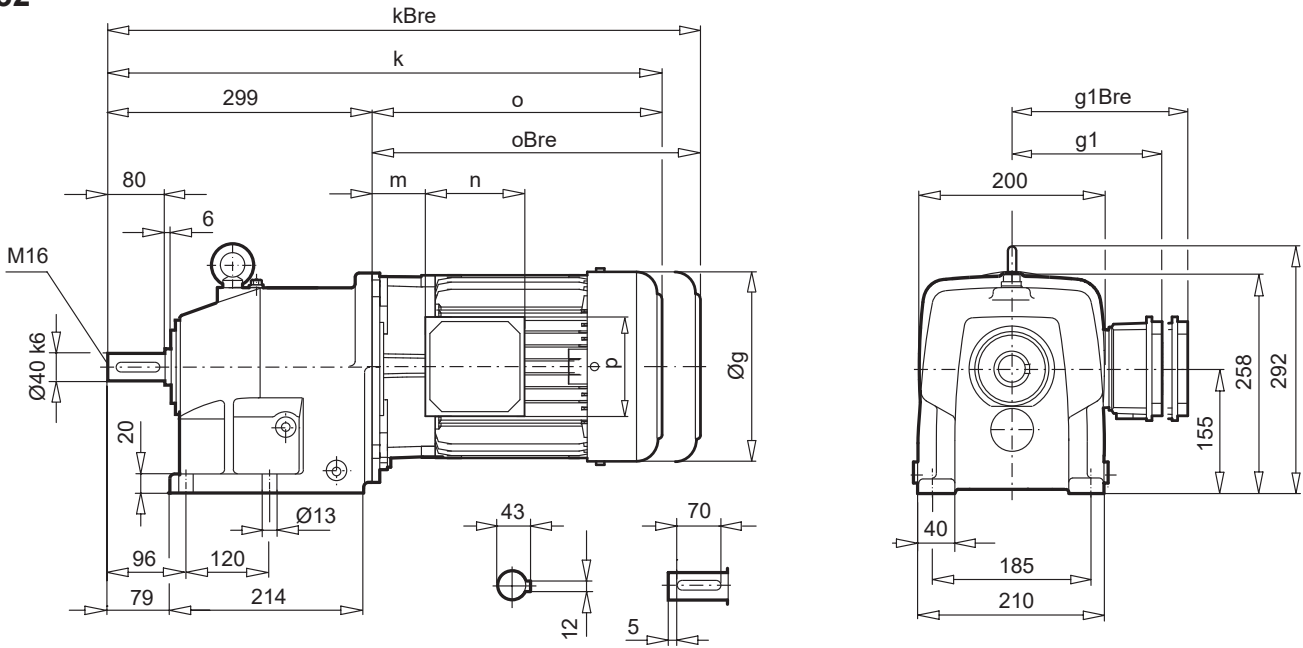
SK 22F



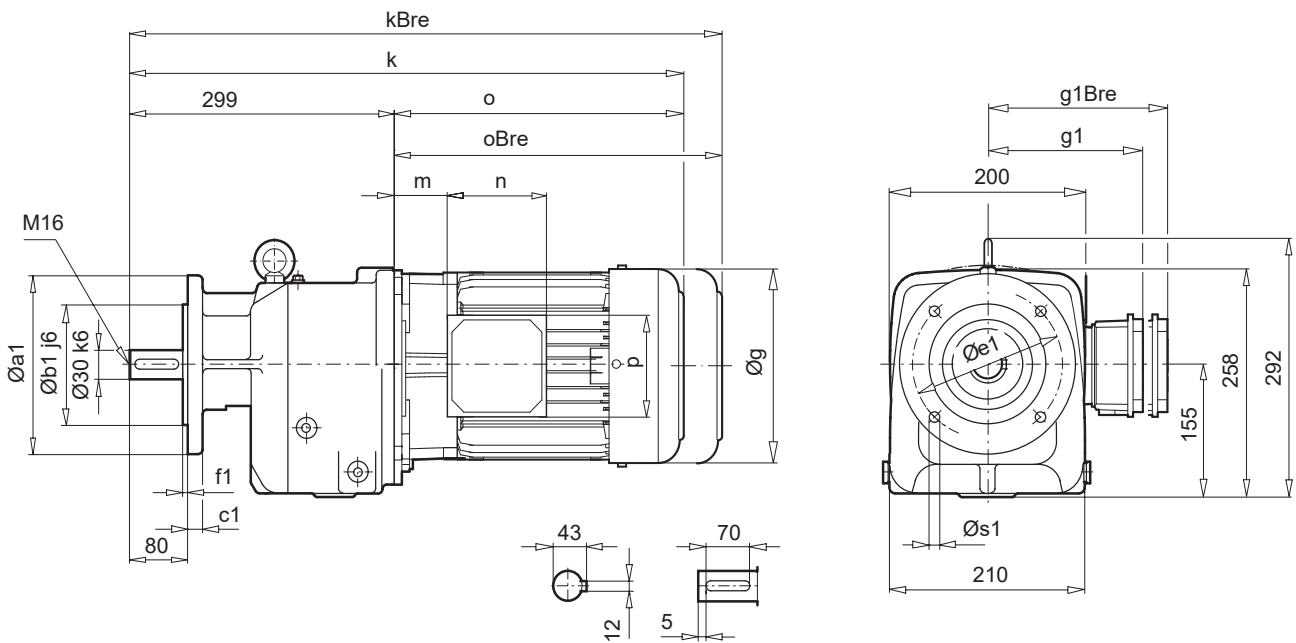
a1	b1	c1	e1	f1	s1
160	110	10	130	3,5	9
200	130	12	165	3,5	11

	80T1	90T1 / 90T3	100T2 / 100T5
g	165	183	201
g1 / g1Bre	142 / 142	147 / 147	169 / 173
k / kBre	494 / 559	535 / 610	565 / 656
o / oBre	255 / 319	296 / 371	326 / 417
m / mBre	41 / 45	46 / 50	52 / 56
n / nBre	114 / 153	114 / 153	114 / 153
p / pBre	114 / 108	114 / 108	114 / 108

SK 32



SK 32F

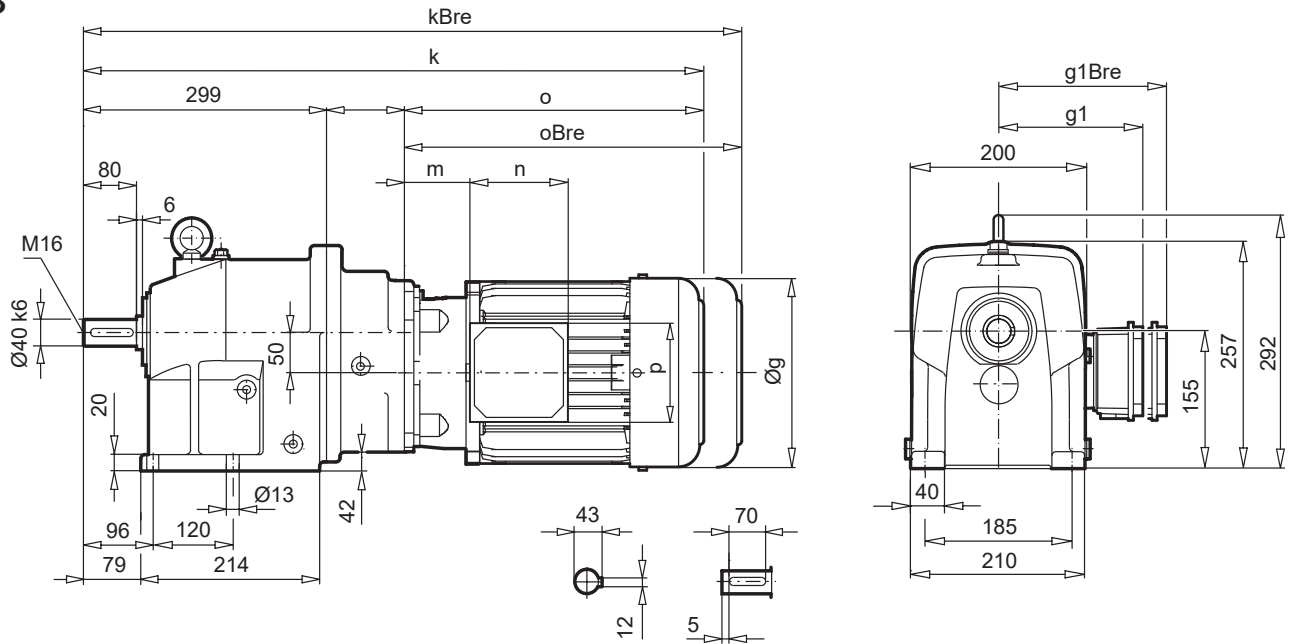


a1	b1	c1	e1	f1	s1
200	130	12	165	3,5	11
250	180	16	215	4,0	14

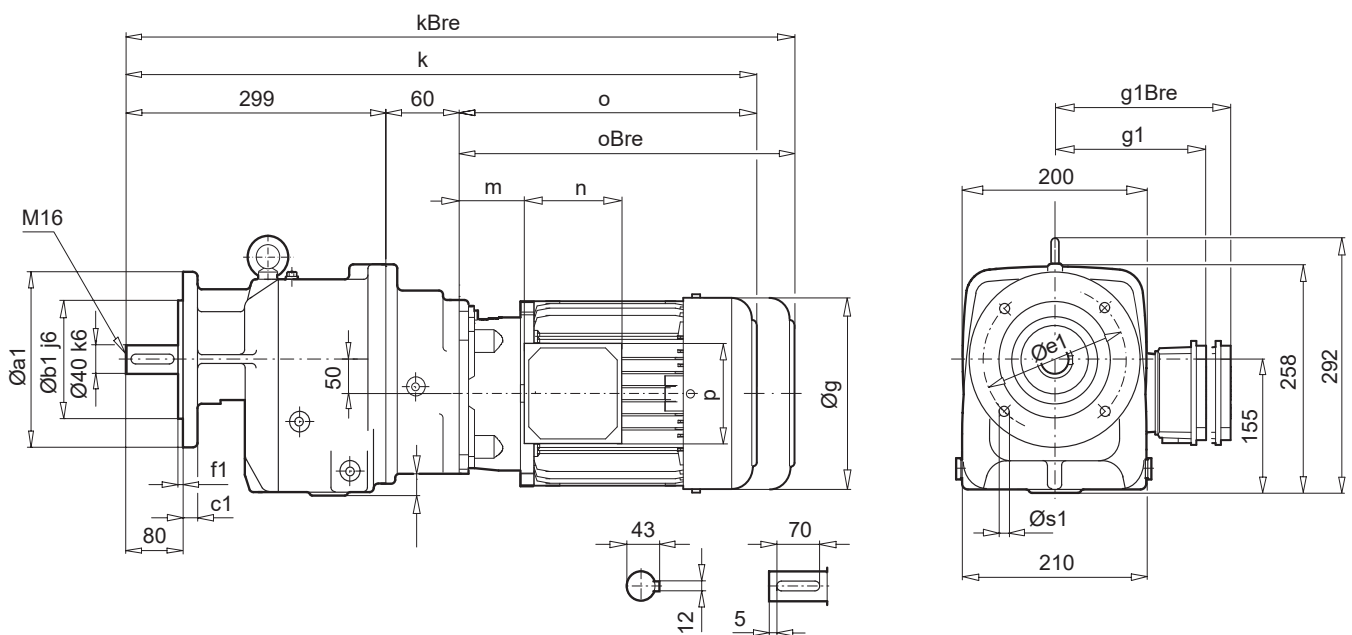
	80T1	90T1 / 90T3	100T2 / 100T5
g	165	183	201
g1 / g1Bre	142 / 142	147 / 147	169 / 173
k / kBre	554 / 618	595 / 670	625 / 716
o / oBre	255 / 319	296 / 371	326 / 417
m / mBre	41 / 45	46 / 50	52 / 56
n / nBre	114 / 153	114 / 153	114 / 153
p / pBre	114 / 108	114 / 108	114 / 108

SK 33N

SK 33



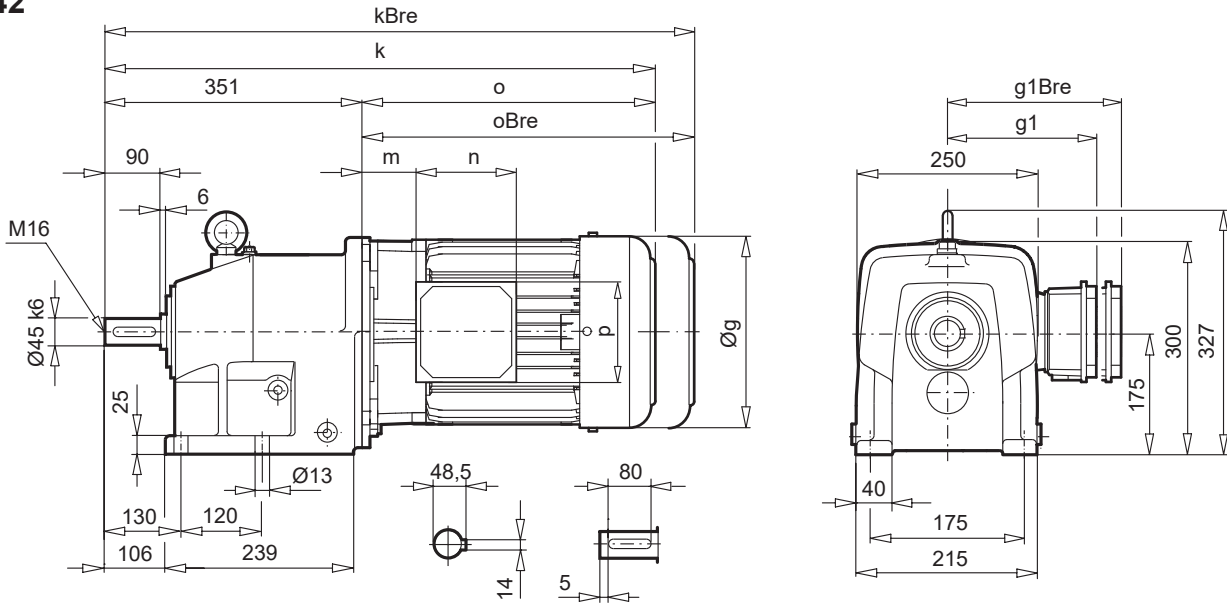
SK 33F



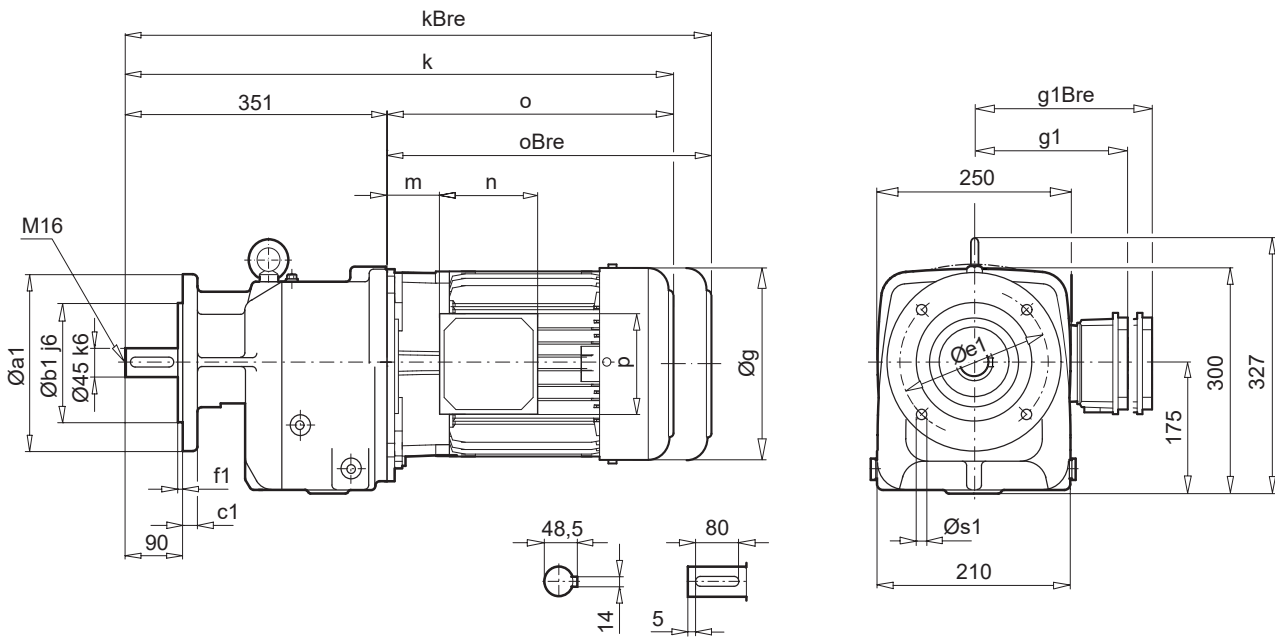
a1	b1	c1	e1	f1	s1
200	130	12	165	3,5	11
250	180	16	215	4,0	14

	80T1	90T1 / 90T3
g	165	183
g1 / g1Bre	142 / 142	147 / 147
k / kBre	620 / 684	661 / 736
o / oBre	261 / 325	302 / 377
m / mBre	47 / 51	52 / 56
n / nBre	114 / 153	114 / 153
p / pBre	114 / 108	114 / 108

SK 42



SK 42F

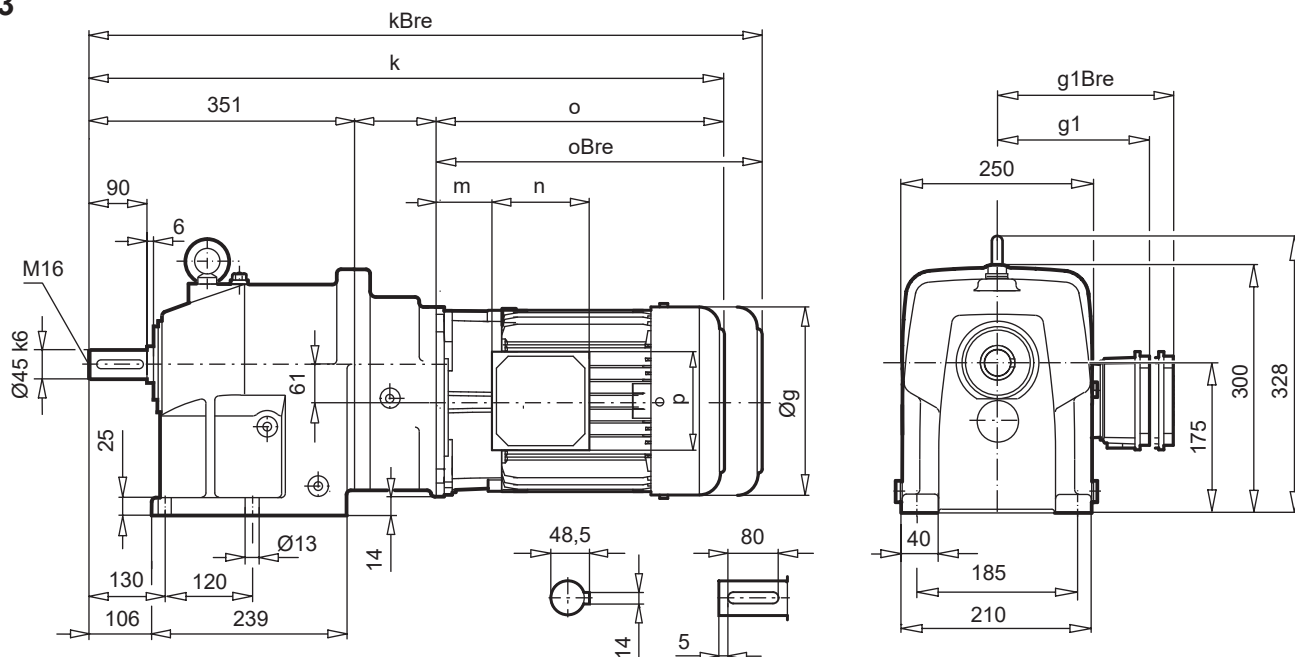


a1	b1	c1	e1	f1	s1
200	130	14	165	3,5	11
250	180	16	215	4,0	14

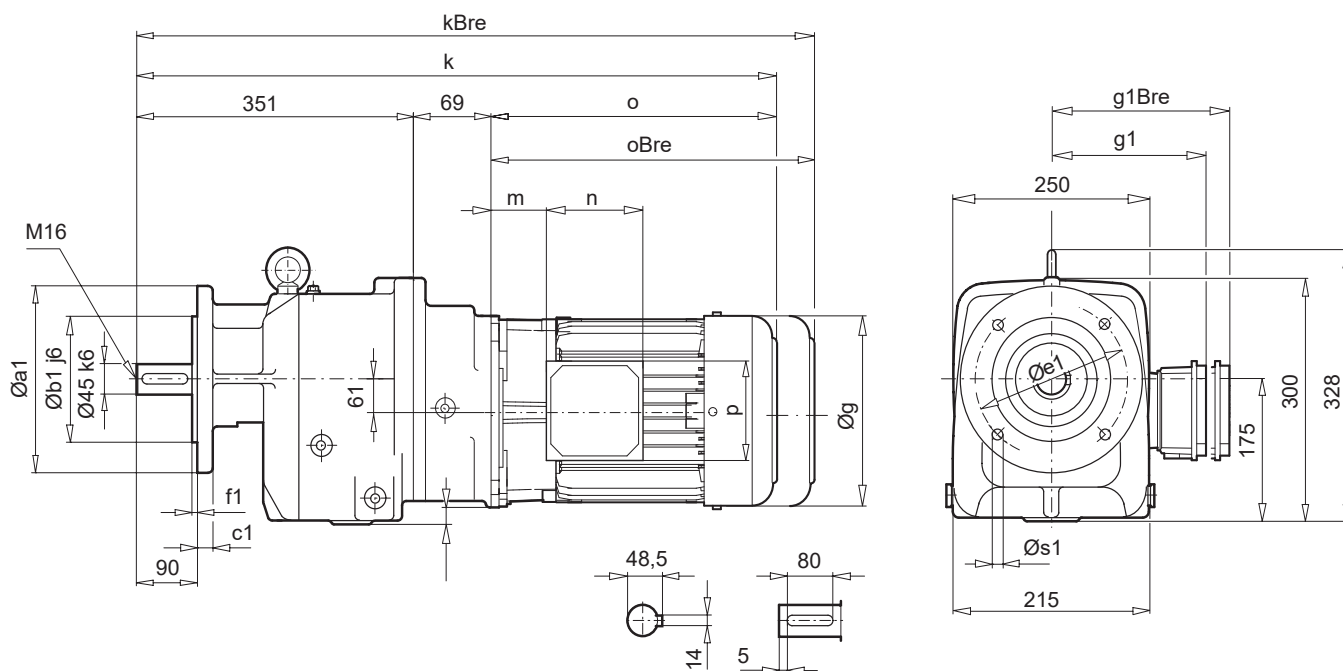
	90T1 / 90T3	100T2 / 100T5
g	183	201
g1 / g1Bre	147 / 147	169 / 173
k / kBre	627 / 702	657 / 748
o / oBre	276 / 351	306 / 397
m / mBre	26 / 30	32 / 36
n / nBre	114 / 153	114 / 153
p / pBre	114 / 108	114 / 108

SK 43

SK 43



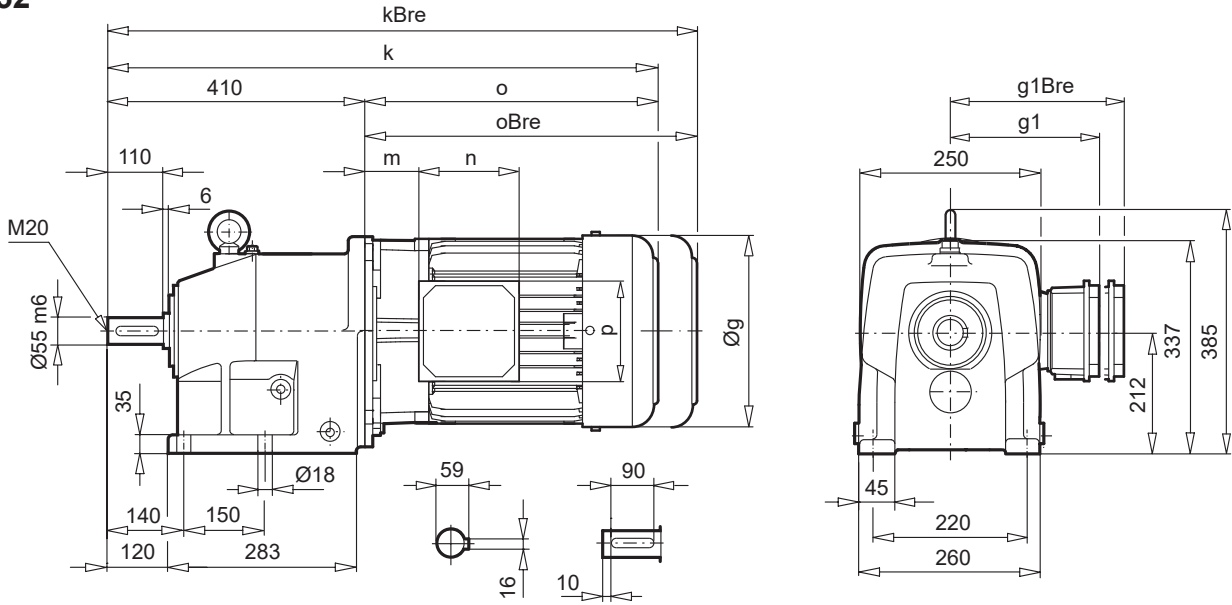
SK 43F



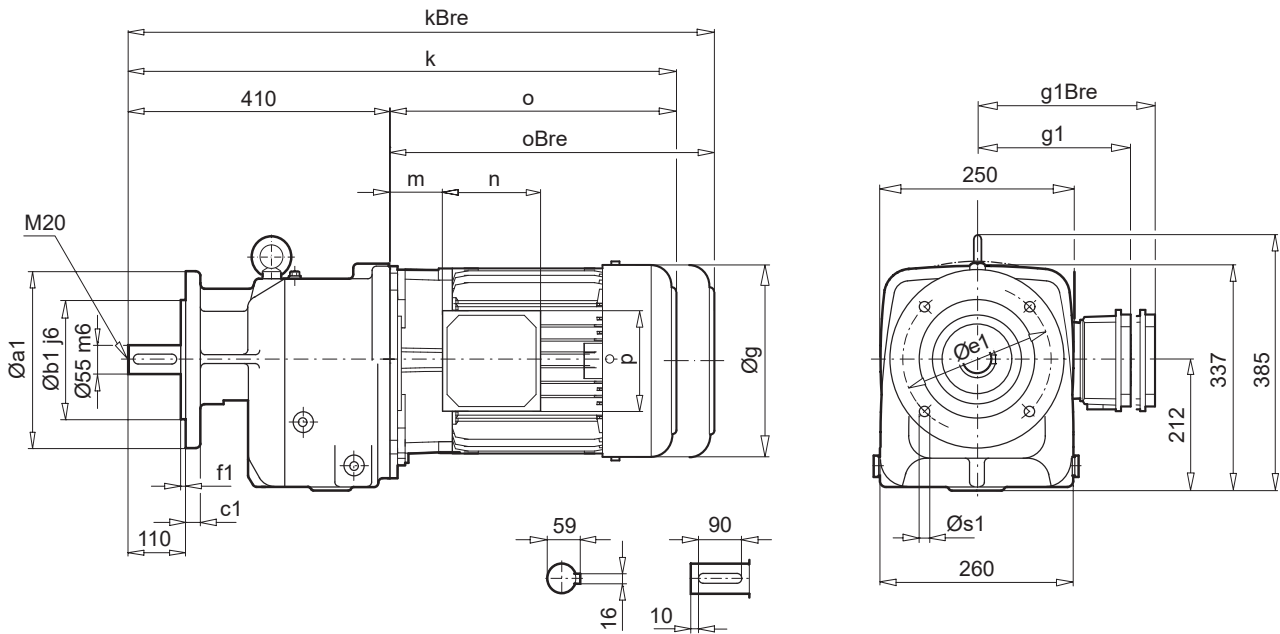
a1	b1	c1	e1	f1	s1
200	130	14	165	3,5	11
250	180	16	215	4,0	14

	80T1	90T1 / 90T3	100T2 / 100T5
g	165	183	201
g1 / g1Bre	142 / 142	147 / 147	169 / 173
k / kBre	675 / 739	716 / 791	746 / 837
o / oBre	255 / 319	296 / 371	326 / 417
m / mBre	41 / 45	46 / 50	52 / 56
n / nBre	114 / 153	114 / 153	114 / 153
p / pBre	114 / 108	114 / 108	114 / 108

SK 52



SK 52F

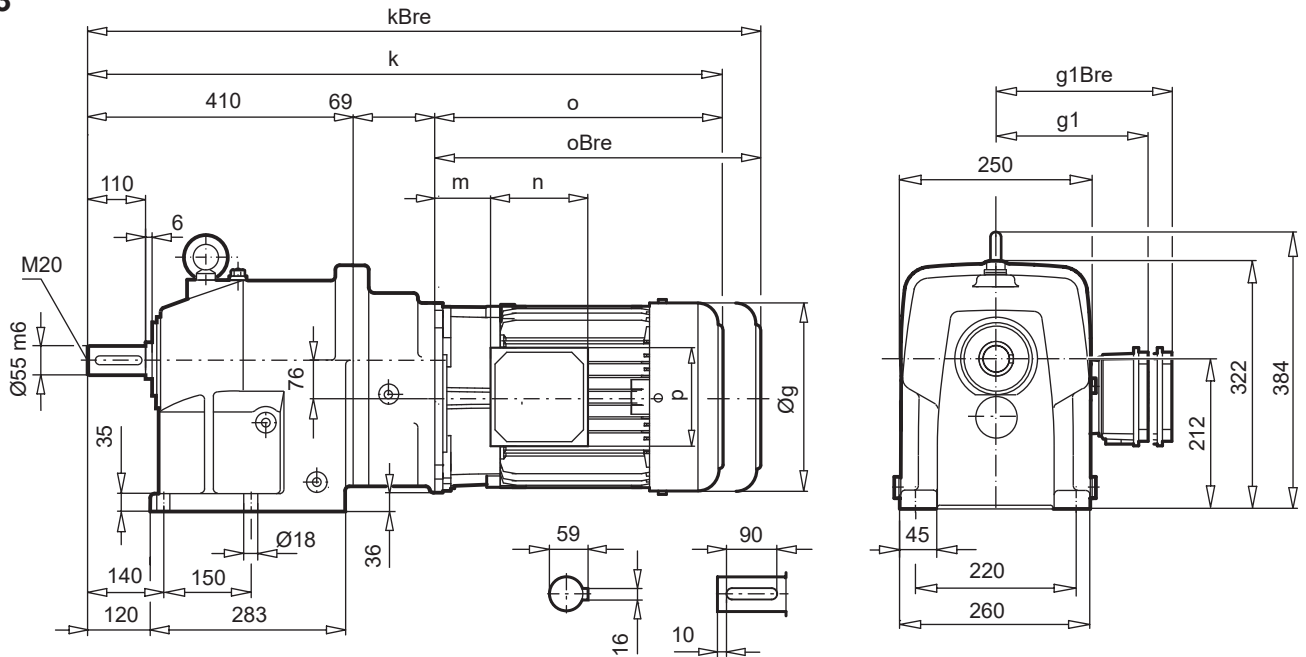


a1	b1	c1	e1	f1	s1
250	180	16	215	4,0	14
300	230	20	265	4,0	14

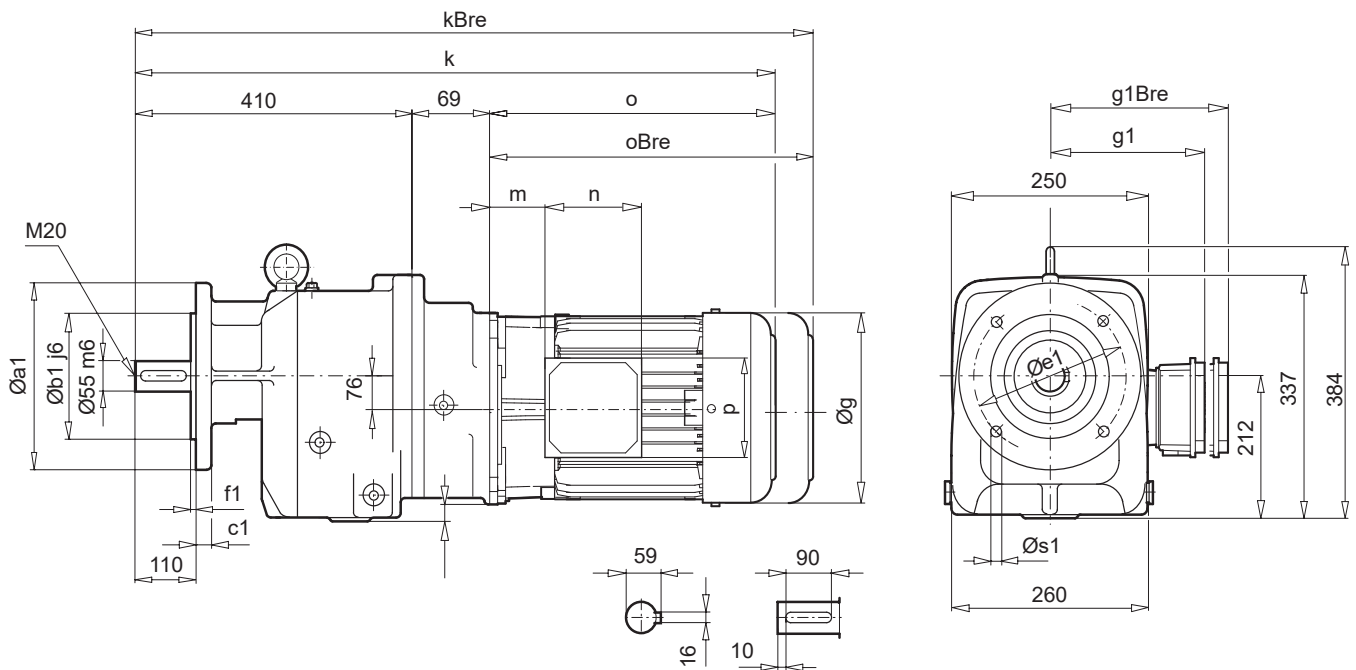
	90T1 / 90T3	100T2 / 100T5
g	183	201
g1 / g1Bre	147 / 147	169 / 173
k / kBre	686 / 761	716 / 807
o / oBre	276 / 351	306 / 397
m / mBre	26 / 30	32 / 36
n / nBre	114 / 153	114 / 153
p / pBre	114 / 108	114 / 108

SK 53

SK 53



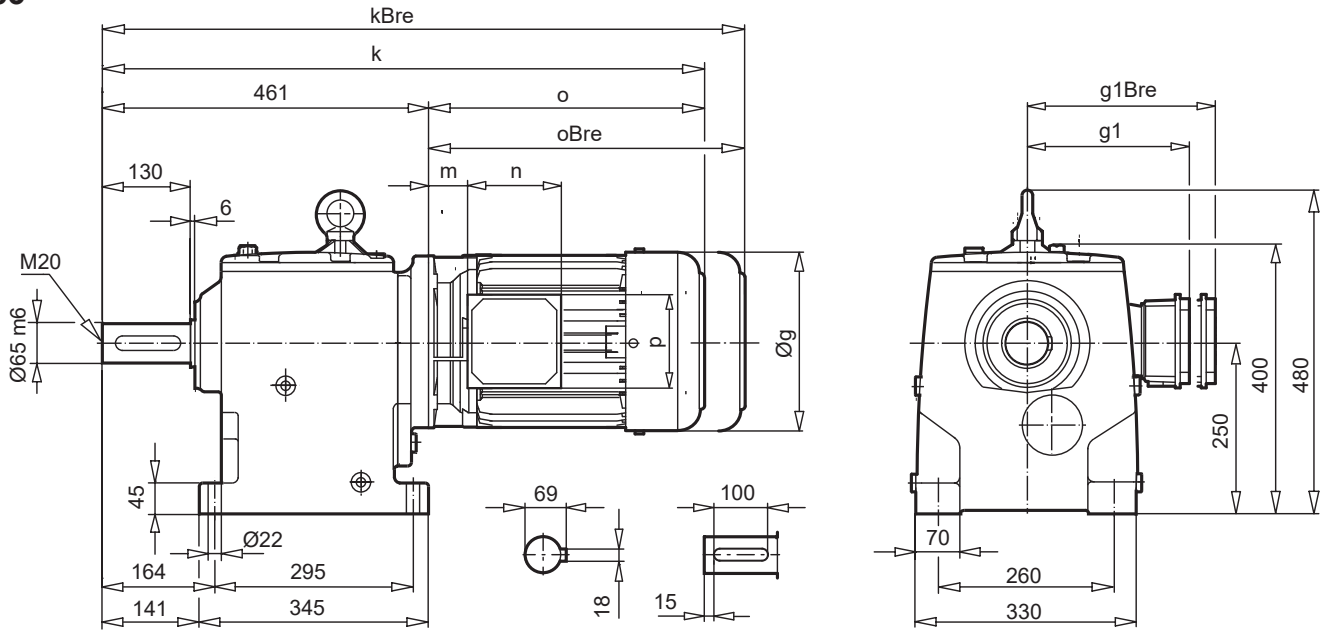
SK 53F



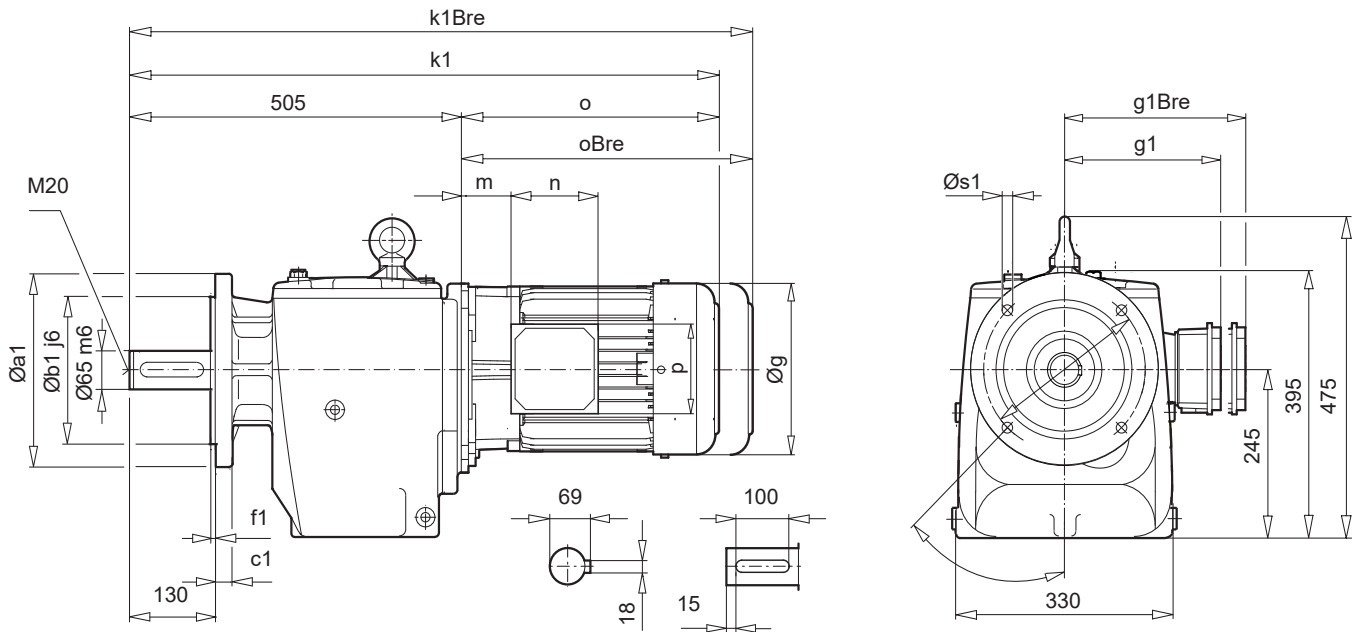
a1	b1	c1	e1	f1	s1
250	180	16	215	4,0	14
300	230	20	265	4,0	14

	80T1	90T1 / 90T3	100T2 / 100T5
g	165	183	201
g1 / g1Bre	142 / 142	147 / 147	169 / 173
k / kBre	734 / 798	775 / 850	805 / 896
o / oBre	255 / 319	296 / 371	326 / 417
m / mBre	41 / 45	46 / 50	52 / 56
n / nBre	114 / 153	114 / 153	114 / 153
p / pBre	114 / 108	114 / 108	114 / 108

SK 63



SK 63F

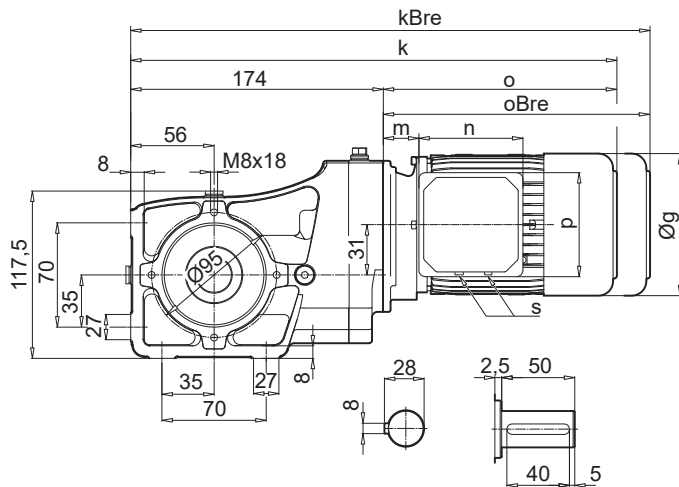


a1	b1	c1	e1	f1	s1
300	230	24	265	4,0	14

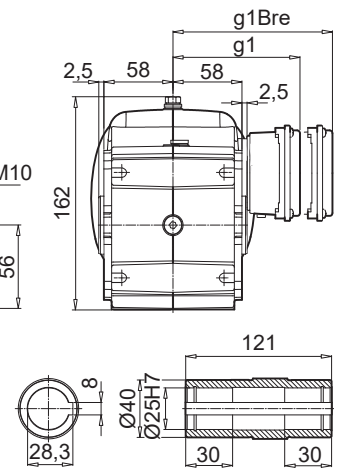
	90T1 / 90T3	100T2 / 100T5
g	183	201
g1 / g1Bre	147 / 147	169 / 173
k / kBre	737 / 812	767 / 858
k1 / k1Bre	781 / 856	811 / 902
o / oBre	276 / 351	306 / 397
m / mBre	26 / 30	32 / 36
n / nBre	114 / 153	114 / 153
p / pBre	114 / 108	114 / 108

SK 92072.1

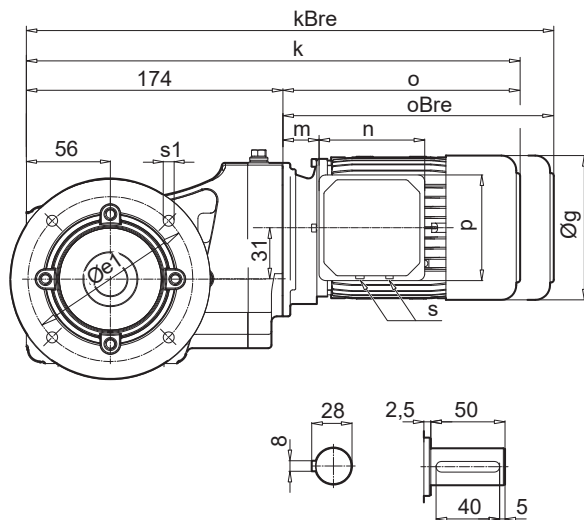
SK 92072.1 V



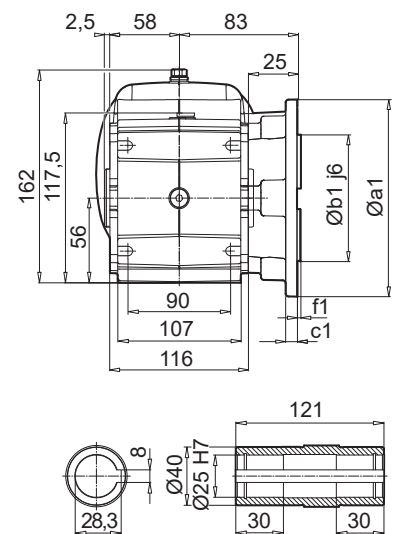
SK 92072.1 A



SK 92072.1VF



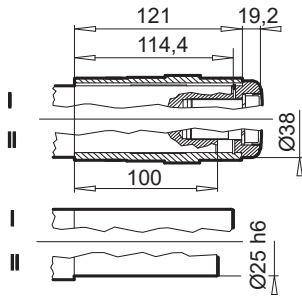
SK 92072.1 AF



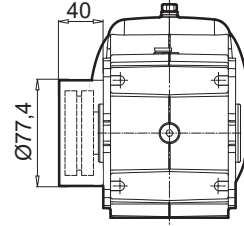
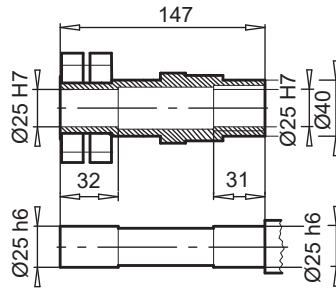
a1	b1	c1	e1	f1	s1
140	95	10	115	3,0	9

	80T1	90T1 / 90T3
g	165	183
g1 / g1Bre	142 / 142	147 / 147
k / kBre	410 / 474	450 / 525
o / oBre	236 / 300	276 / 351
m / mBre	22 / 26	26 / 30
n / nBre	114 / 153	114 / 153
p / pBre	114 / 108	114 / 108
s	M25 x 1,5	M25 x 1,5

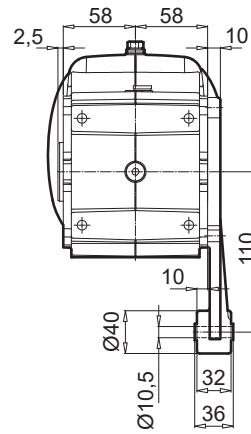
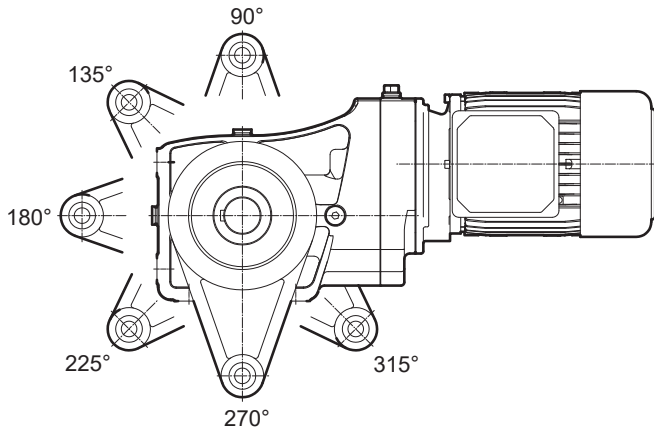
SK 92072.1 AB



SK 92072.1 ASH



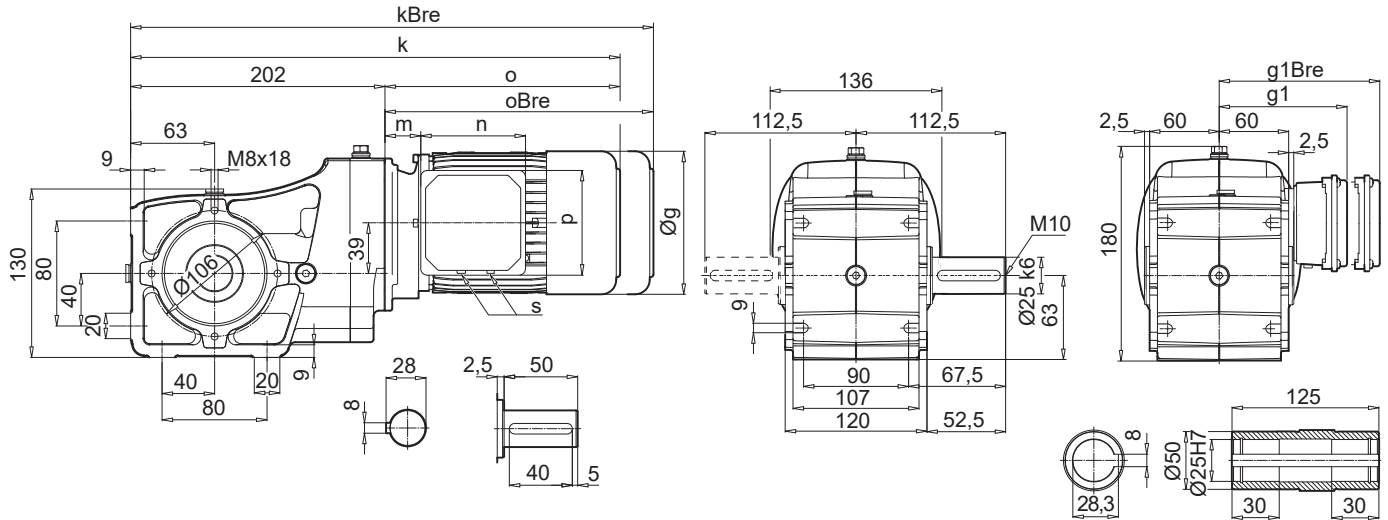
SK 92072.1 AD



SK 92172.1

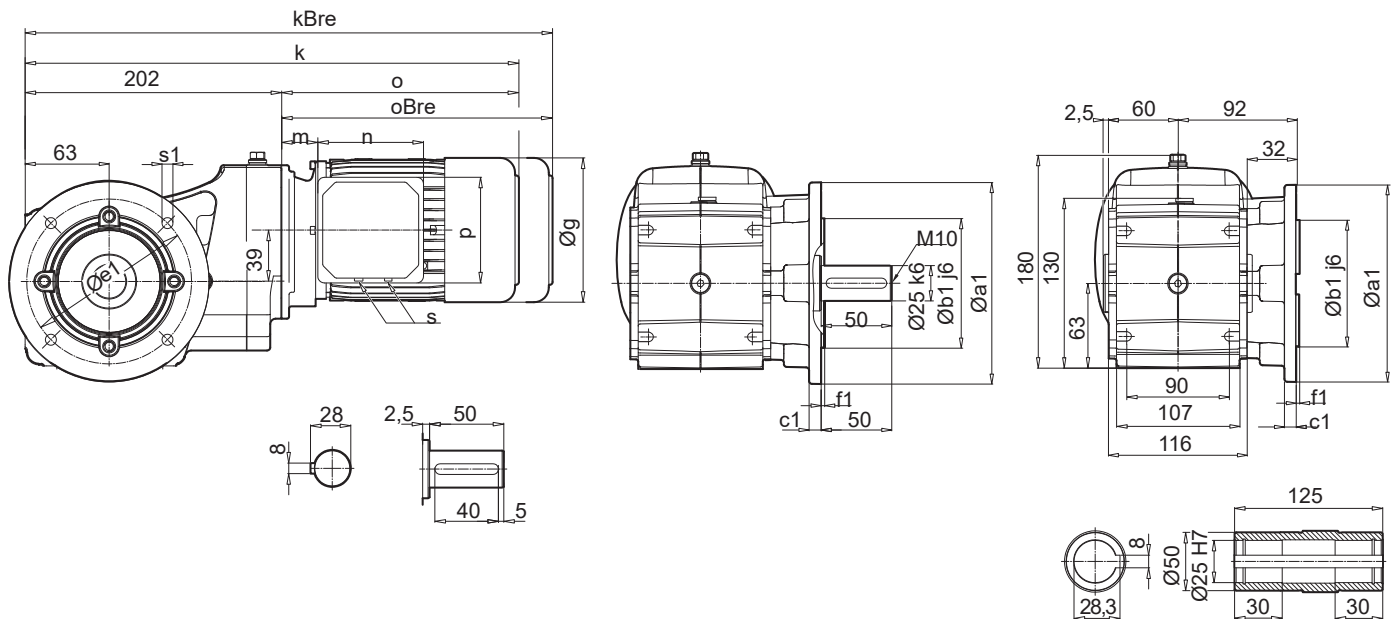
SK 92172.1 V

SK 92172.1 A



SK 92172.1VF

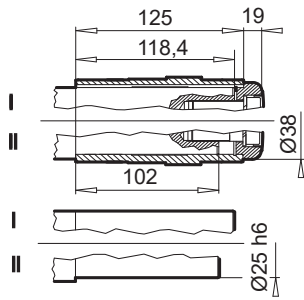
SK 92172.1 AF



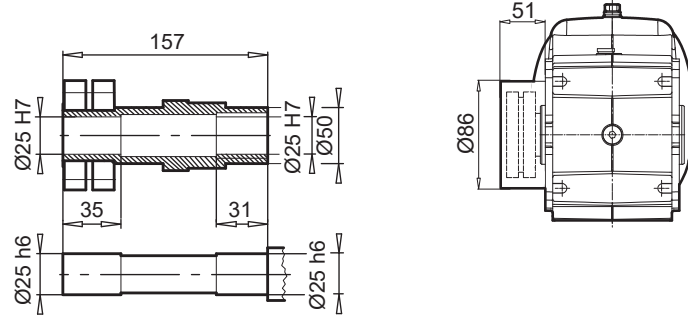
a1	b1	c1	e1	f1	s1
160	110	12	130	3,5	9

	80T1	90T1 / 90T3
g	165	183
g1 / g1Bre	142 / 142	147 / 147
k / kBre	438 / 502	478 / 553
o / oBre	236 / 300	276 / 351
m / mBre	22 / 26	26 / 30
n / nBre	114 / 153	114 / 153
p / pBre	114 / 108	114 / 108
s	M25 x 1,5	M25 x 1,5

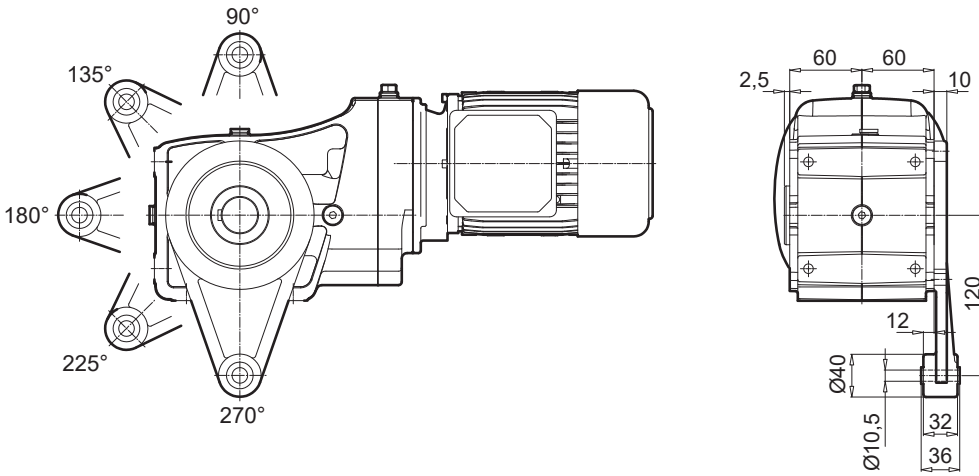
SK 92172.1 AB



SK 92172.1 ASH



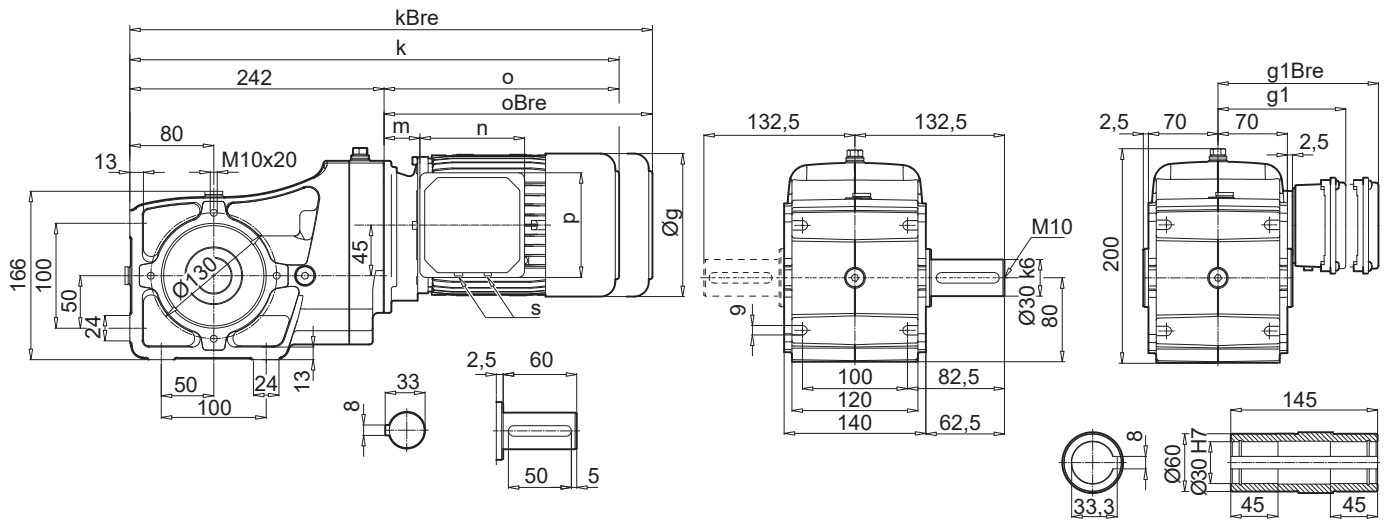
SK 92172.1 AD



SK 92372.1

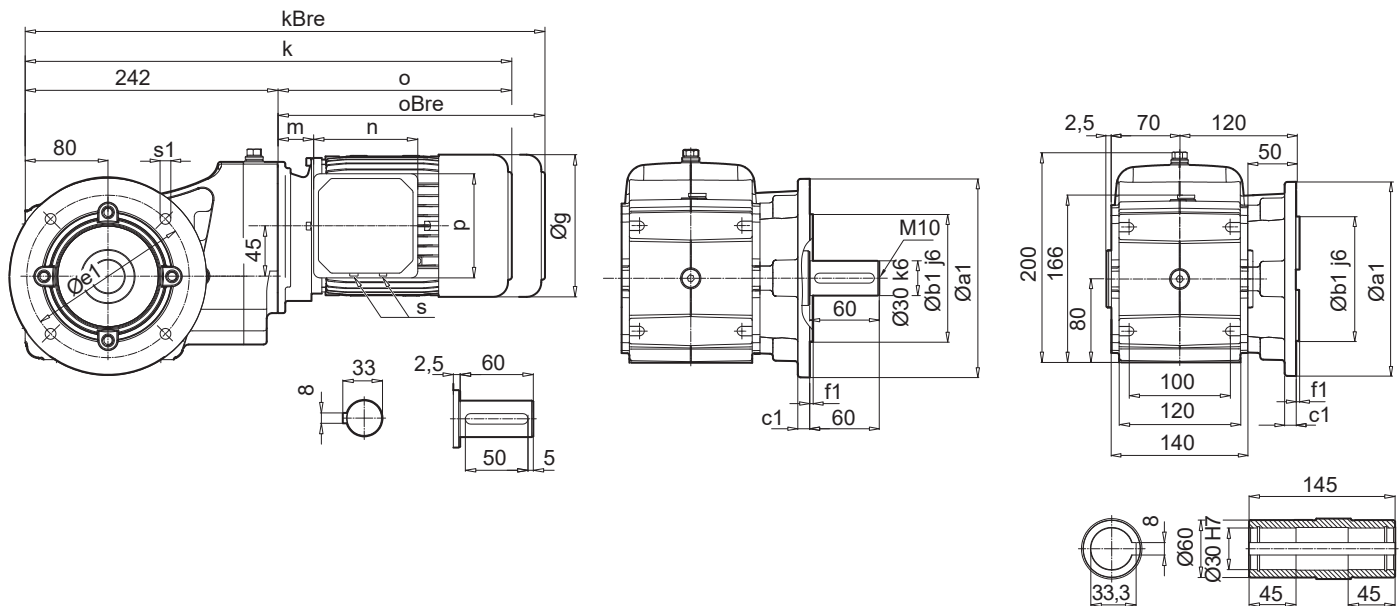
SK 92372.1 V

SK 92372.1 A



SK 92372.1VF

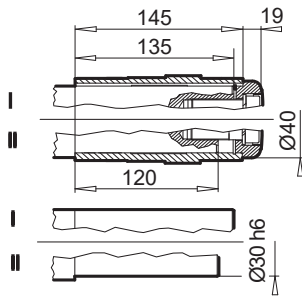
SK 92372.1 AF



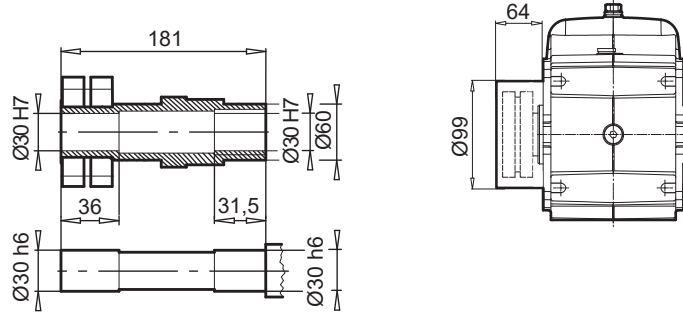
a1	b1	c1	e1	f1	s1
160	110	12	130	3,5	9
200	130	12	165	3,5	11

	80T1	90T1 / 90T3	100T2 / 100T5
g	165	183	201
g1 / g1Bre	142 / 142	147 / 147	169 / 173
k / kBre	503 / 567	544 / 619	574 / 665
o / oBre	261 / 325	302 / 377	332 / 423
m / mBre	47 / 51	52 / 56	58 / 62
n / nBre	114 / 153	114 / 153	114 / 153
p / pBre	144 / 108	144 / 108	144 / 108
s	M25 x 1,5	M25 x 1,5	M25 x 1,5

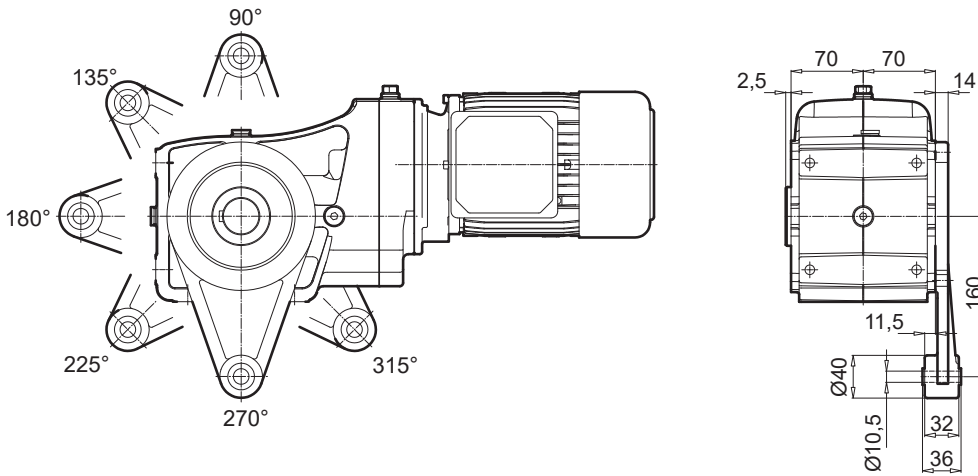
SK 92372.1 AB



SK 92372.1 ASH



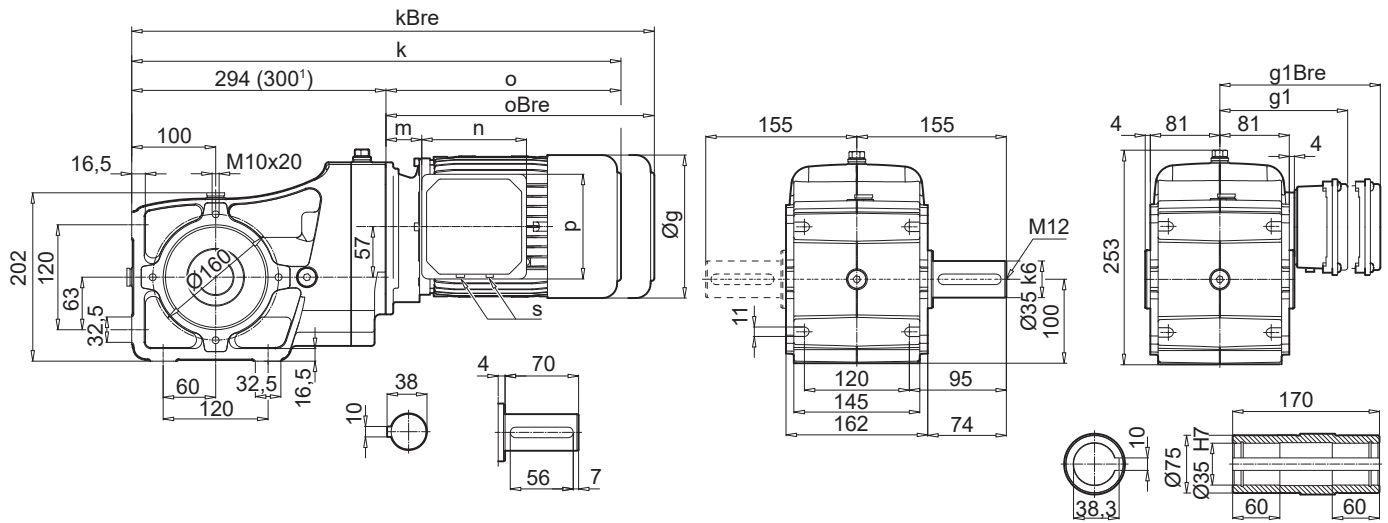
SK 92372.1 AD



SK 92672.1

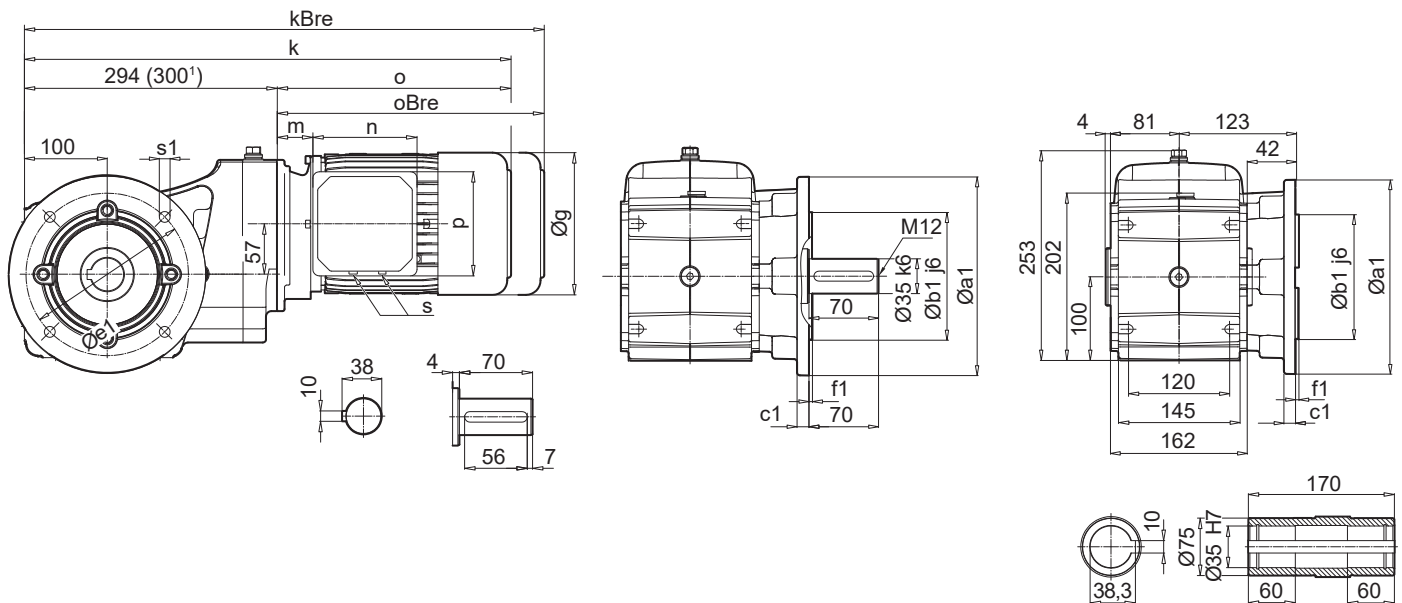
SK 92672.1 V

SK 92672.1 A



SK 92672.1VF

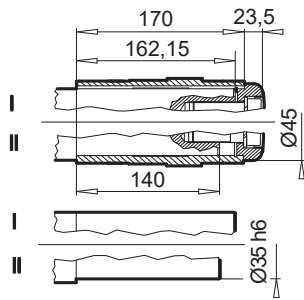
SK 92672.1AF



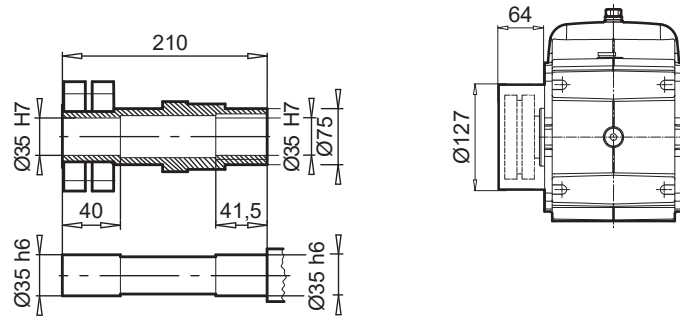
a1	b1	c1	e1	f1	s1
160	110	10	130	3,5	9
200	130	12	165	3,5	11,4

	80T1	90T1 / 90T3	100T2 / 100T5
g	165	183	201
g1 / g1Bre	142 / 142	147 / 147	169 / 173
k / kBre	555 / 619	596 / 671	626 / 717
o / oBre	261 / 325	302 / 377	332 / 423
m / mBre	47 / 51	52 / 56	58 / 62
n / nBre	114 / 153	114 / 153	114 / 153
p / pBre	114 / 108	114 / 108	114 / 108
s	M25 x 1,5	M25 x 1,5	M25 x 1,5

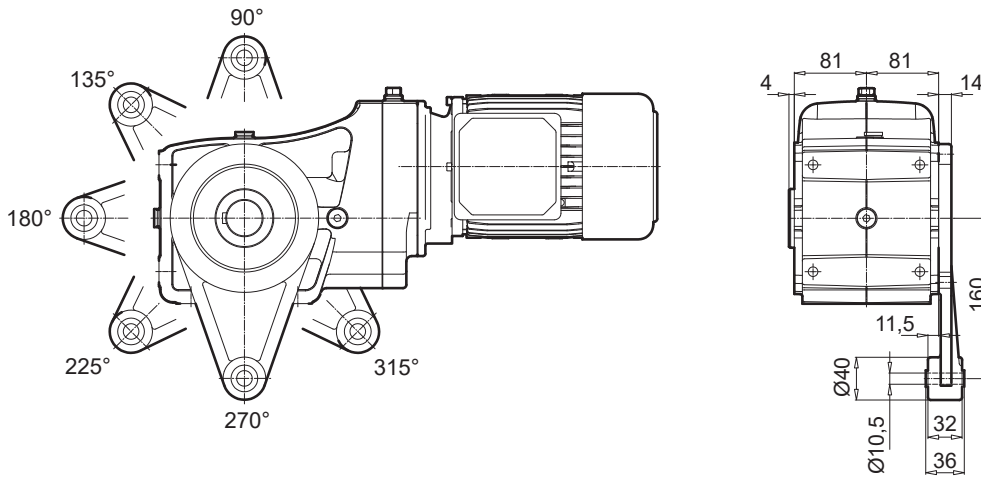
SK 92672.1 AB



SK 92672.1 ASH



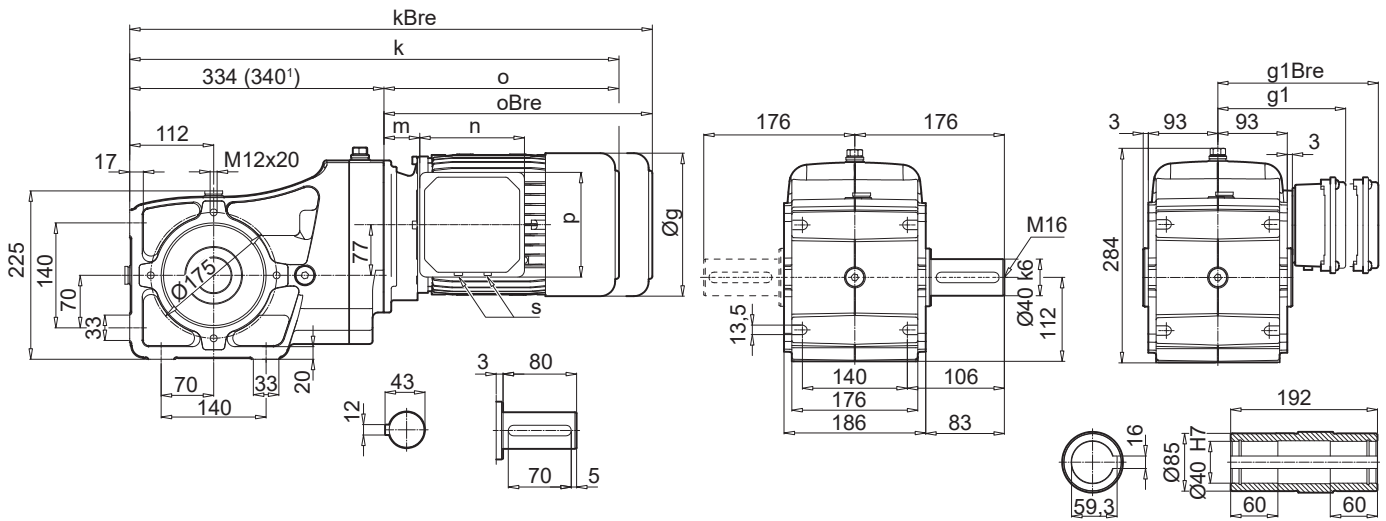
SK 92672.1 AD



SK 92772.1

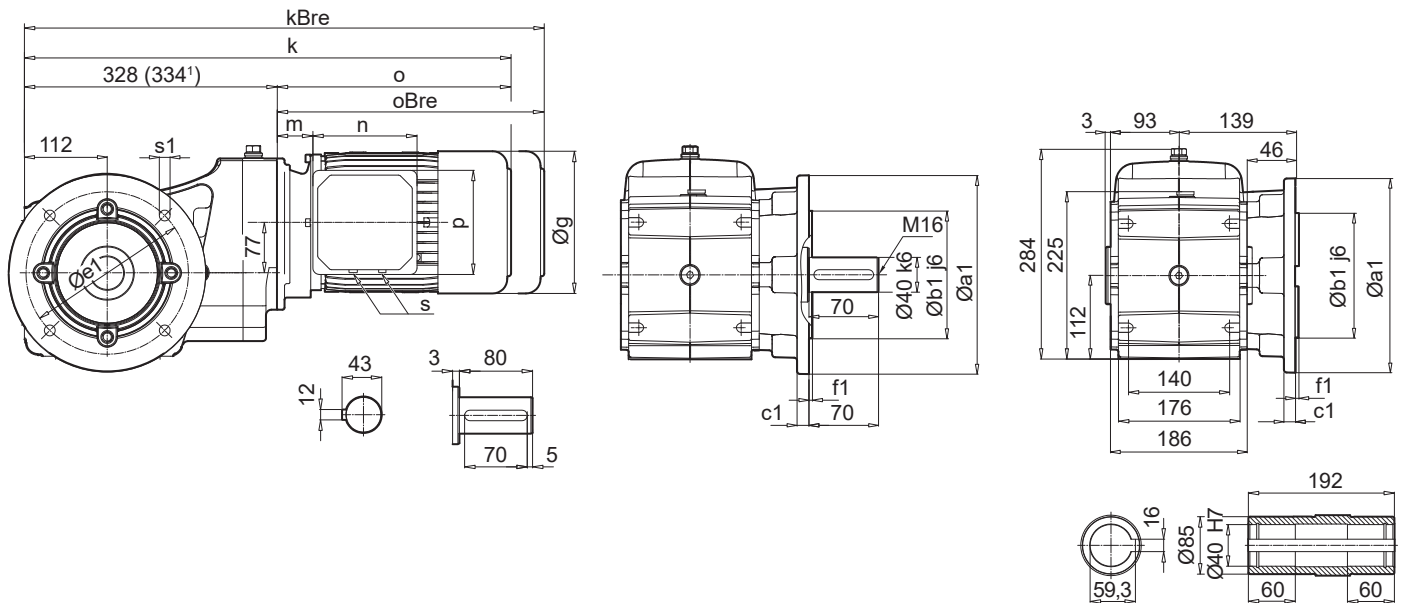
SK 92772.1 V

SK 92772.1 A



SK 92772.1VF

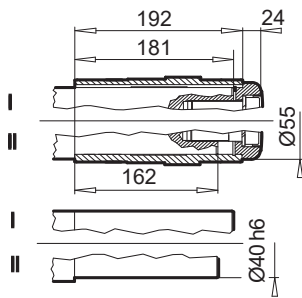
SK 92772.1 AF



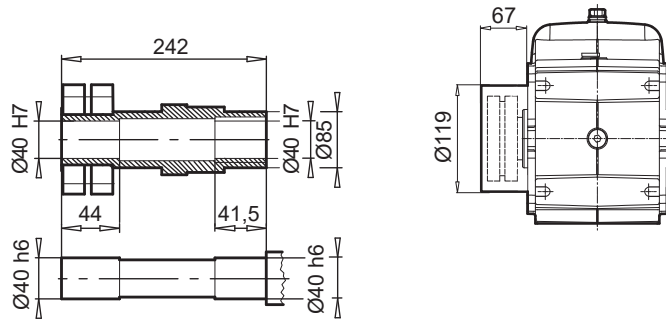
a1	b1	c1	e1	f1	s1
250	180	15	215	4	13,5

	80TI	90T1 / 90T3	100T2 / 100T5
g	165	183	201
g1 / g1Bre	142 / 142	147 / 147	169 / 173
k / kBre	589 / 653	630 / 705	660 / 751
o / oBre	261 / 325	302 / 377	332 / 423
m / mBre	47 / 51	52 / 56	58 / 62
n / nBre	114 / 153	114 / 153	114 / 153
p / pBre	114 / 108	114 / 108	114 / 108
s	M25 x 1,5	M25 x 1,5	M25 x 1,5

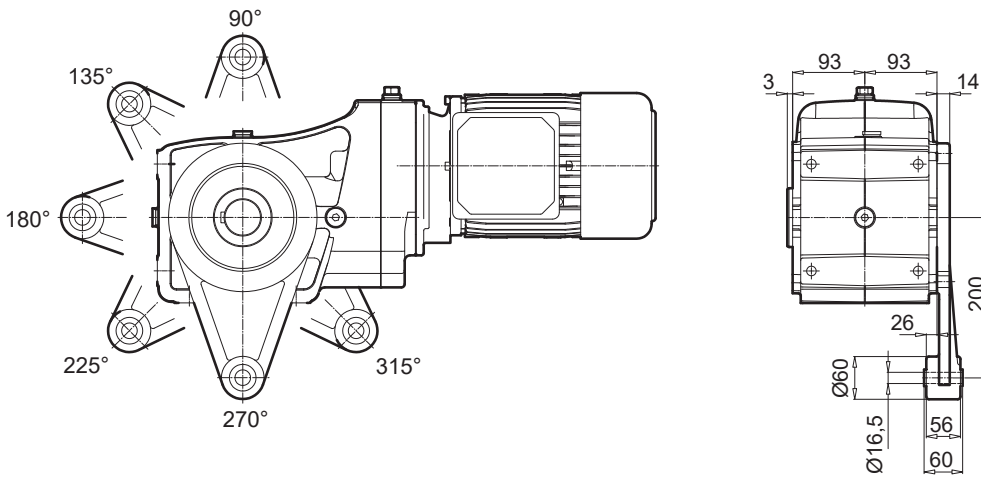
SK 92772.1 AB



SK 92772.1 ASH

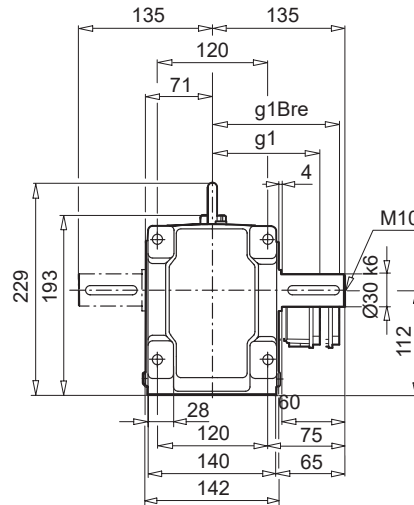
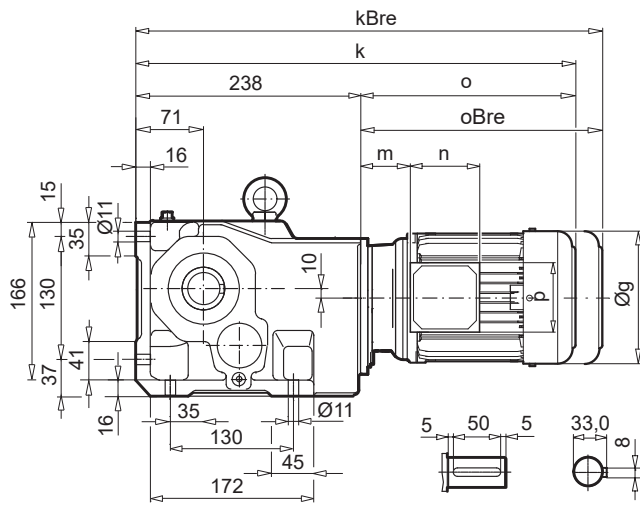


SK 92772.1 AD

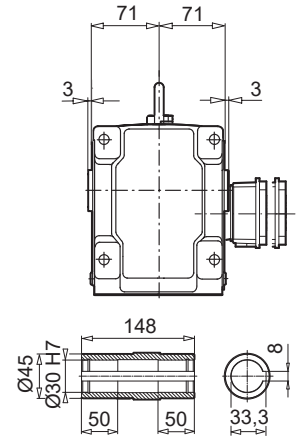


SK 9012.1

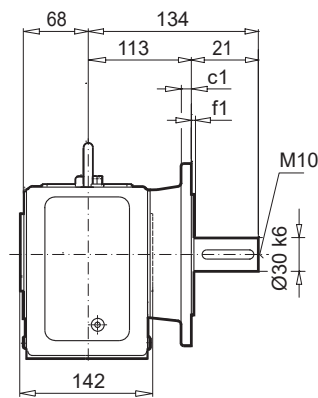
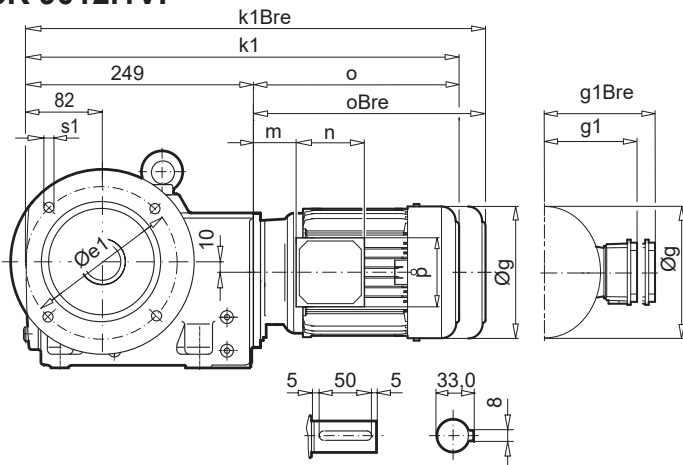
SK 9012.1



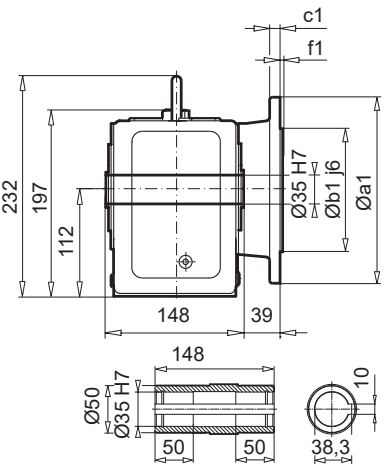
SK 9012.1AX



SK 9012.1VF

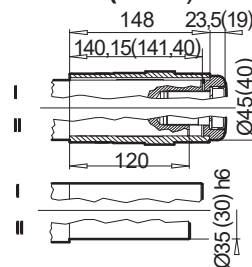


SK 9012.1AF



a1	b1	c1	e1	f1	s1
200	130	12	165	3,5	4 x 11

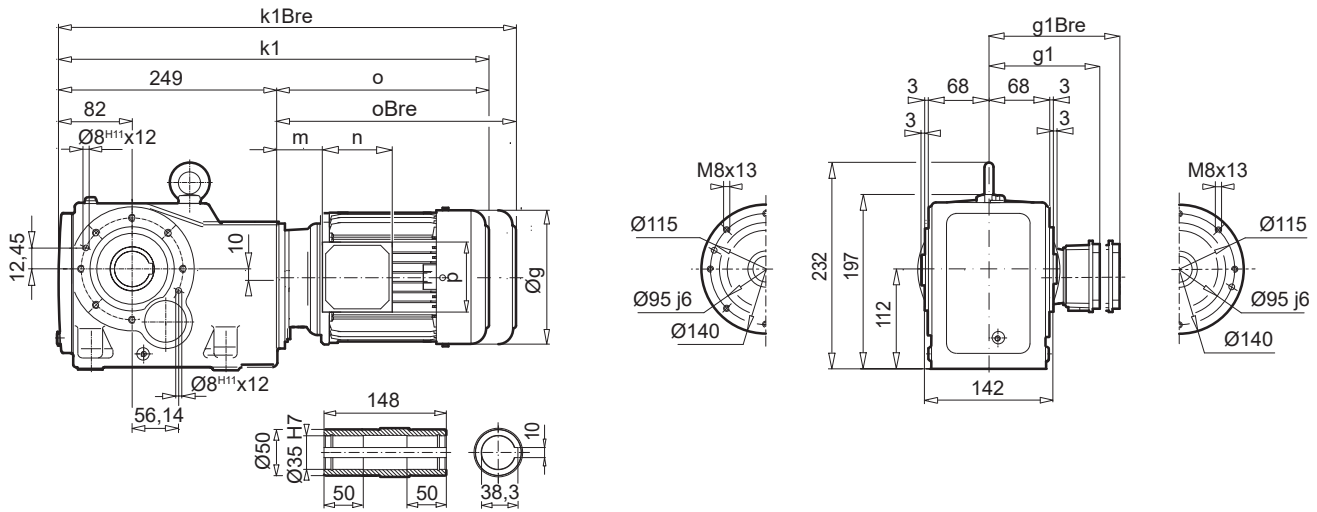
SK 9012.1AFB (AXB)



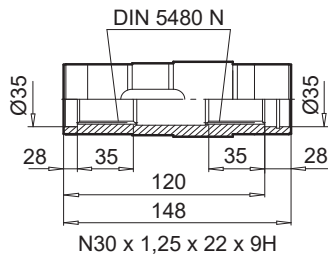
	80T1	90T1 / 90T3	100T2 / 100T5
g	165	183	201
g1 / g1Bre	142 / 142	147 / 147	169 / 173
k / kBre	499 / 563	540 / 615	570 / 661
k1 / k1Bre	510 / 574	551 / 626	581 / 672
o / oBre	261 / 325	302 / 377	332 / 423
m / mBre	47 / 50	52 / 56	58 / 62
n / nBre	114 / 153	114 / 153	114 / 153
p / pBre	114 / 108	114 / 108	114 / 108

Helical-bevel gear units

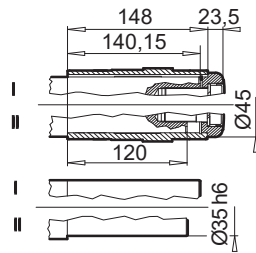
SK 9012.1AZ



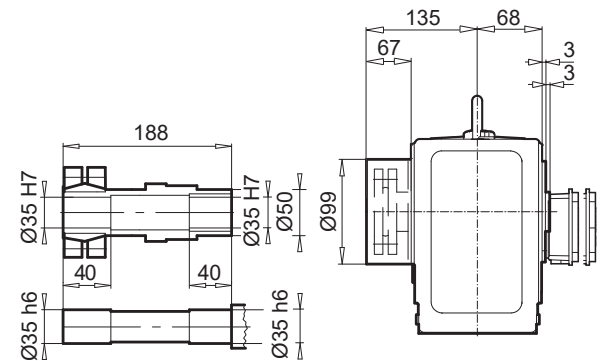
SK 9012.1AZEA



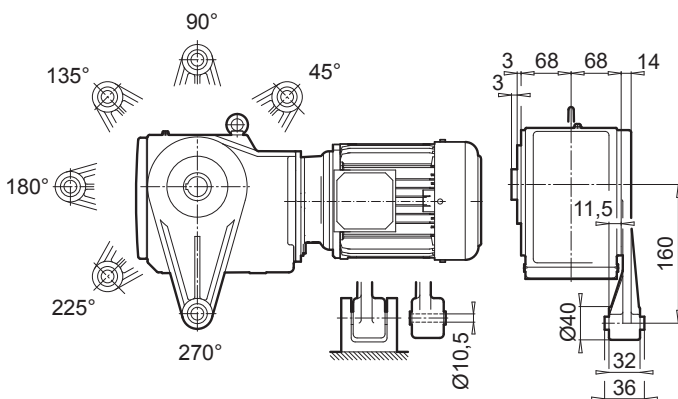
SK 9012.1AZB (AFB)



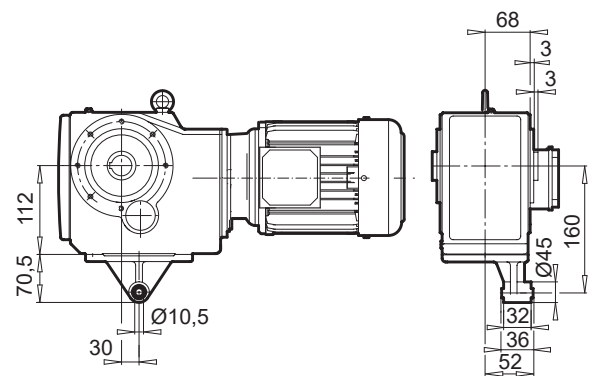
SK 9012.1AZSH (AFSH)



SK 9012.1AZD

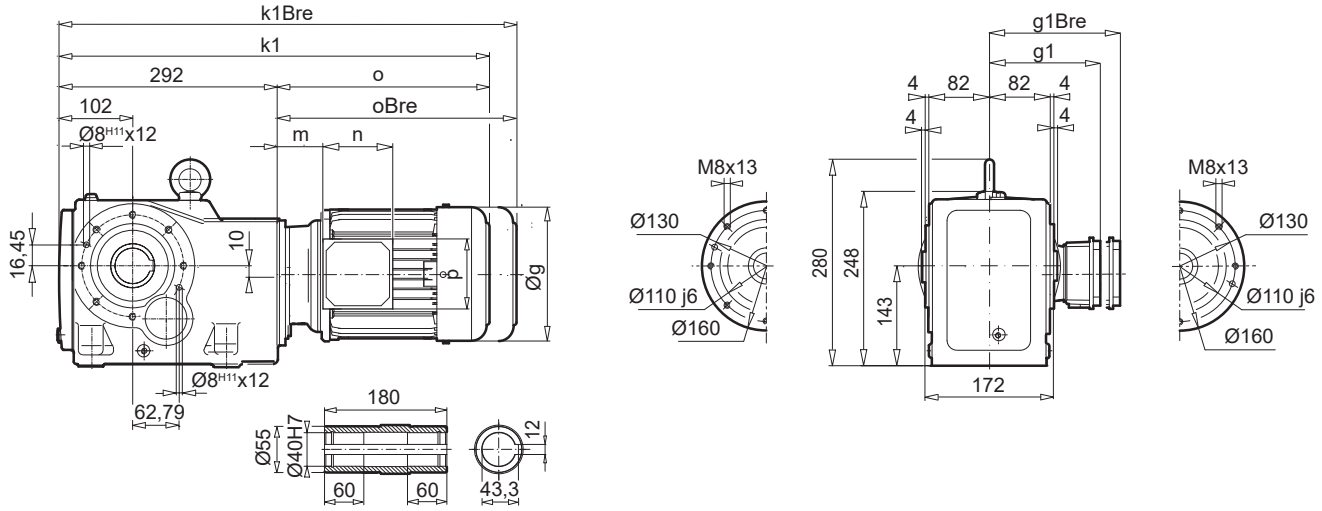


SK 9012.1AZK



	80T1	90T1 / 90T3	100T2 / 100T5
g	165	183	201
g1 / g1Bre	142 / 142	147 / 147	169 / 173
k1 / k1Bre	510 / 574	551 / 626	581 / 672
o / oBre	261 / 325	302 / 377	332 / 423
m / mBre	47 / 50	52 / 56	58 / 62
n / nBre	114 / 153	114 / 153	114 / 153
p / pBre	114 / 108	114 / 108	114 / 108

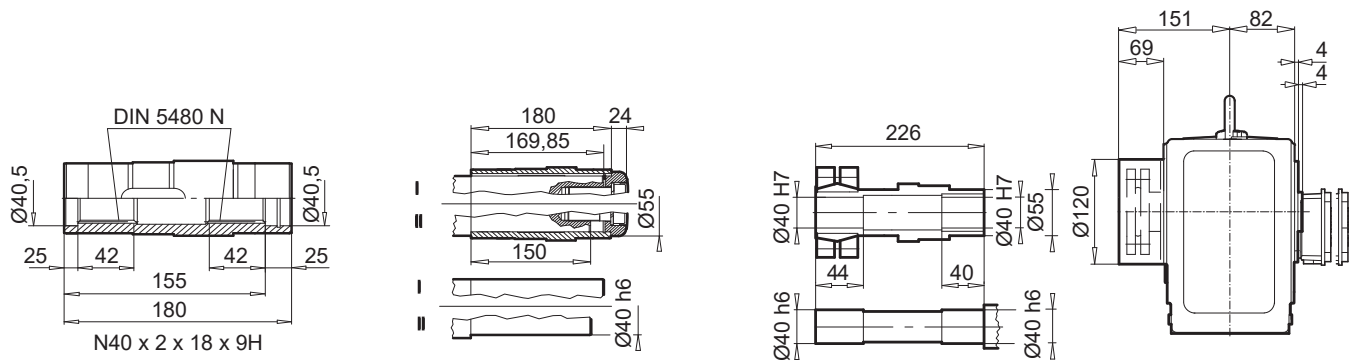
SK 9022.1AZ



SK 9022.1AZEA

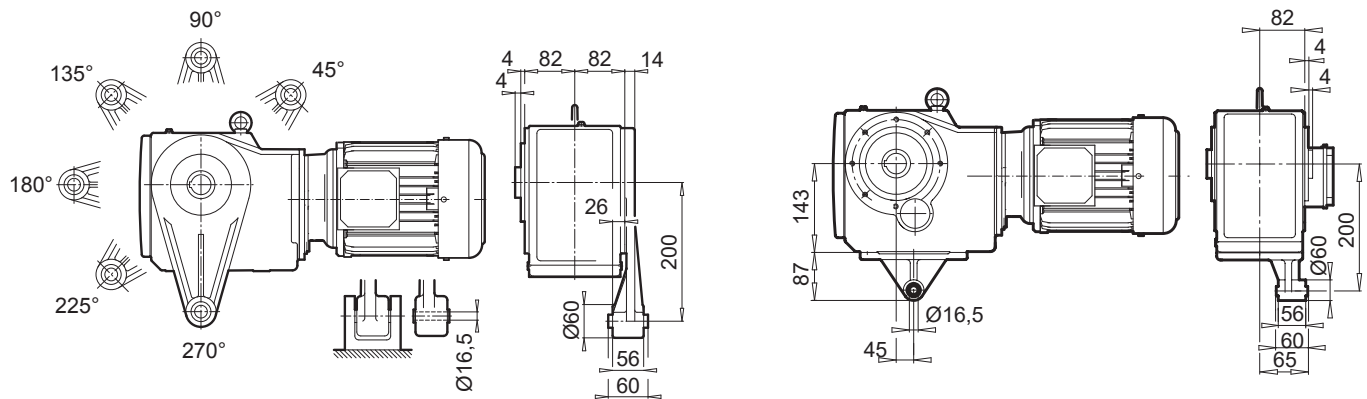
SK 9022.1AZB (AFB)

SK 9022.1AZSH (AFSH)



SK 9022.1AZD

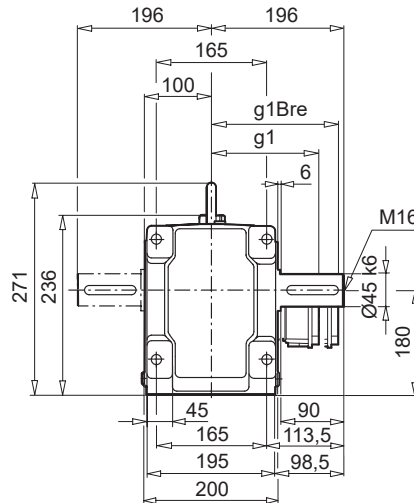
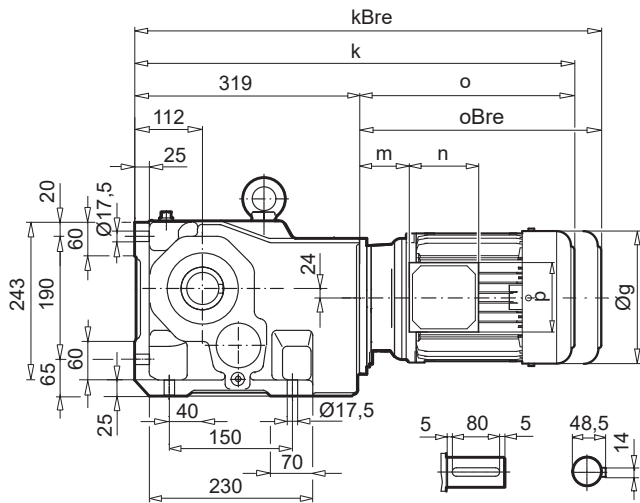
SK 9022.1AZK



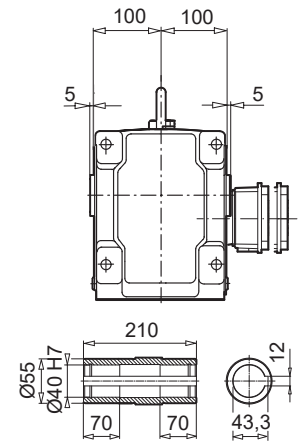
	80T1	90T1 / 90T3	100T2 / 100T5
g	165	183	201
g1 / g1Bre	142 / 142	147 / 147	169 / 173
k1 / k1Bre	553 / 617	594 / 669	624 / 715
o / oBre	261 / 325	302 / 377	332 / 423
m / mBre	47 / 50	52 / 56	58 / 62
n / nBre	114 / 153	114 / 153	114 / 153
p / pBre	114 / 108	114 / 108	114 / 108

SK 9032.1

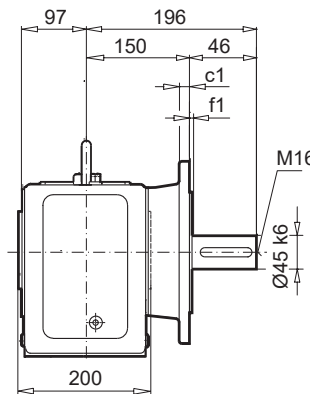
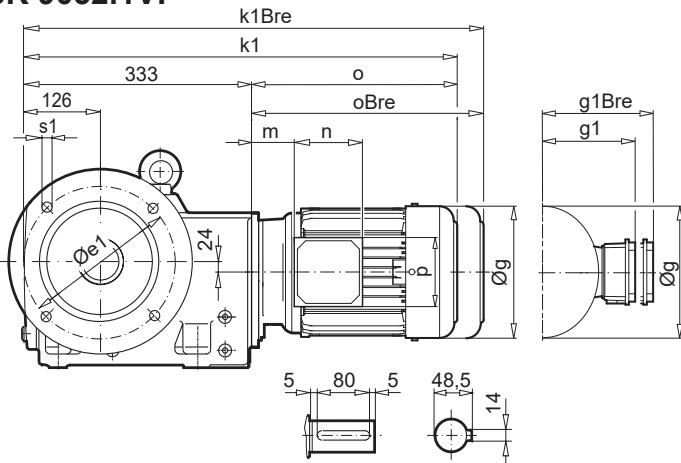
SK 9032.1



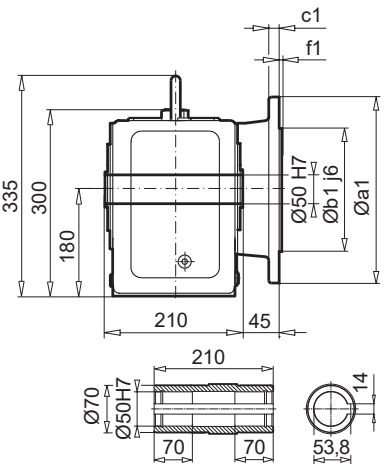
SK 9032.1AX



SK 9032.1VF

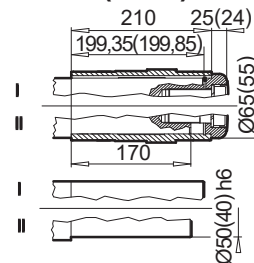


SK 9032.1AF



a1	b1	c1	e1	f1	s1
250	180	15	215	4	4 x 13,5
300	230	20	265	4	4 x 14

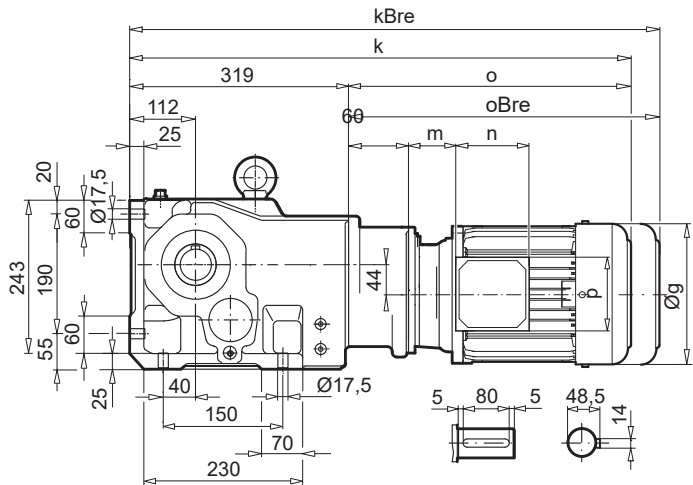
SK 9032.1AFB (AXB)



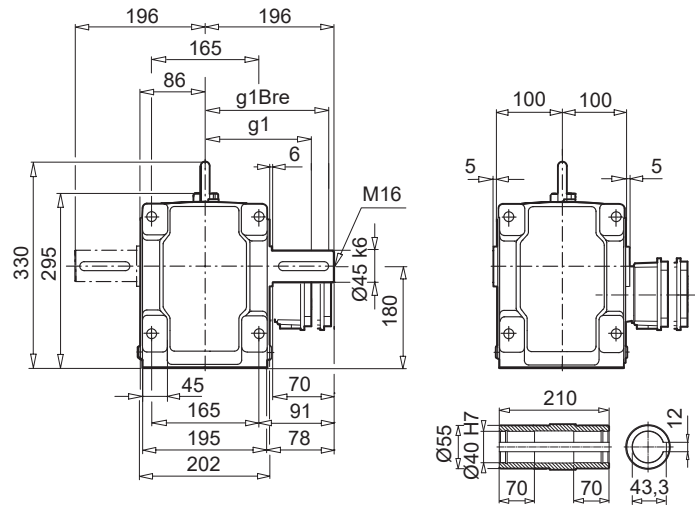
	80T1	90T1 / 90T3	100T2 / 100T5
g	165	183	201
g1 / g1Bre	142 / 142	147 / 147	169 / 173
k / kBre	574 / 638	615 / 690	645 / 736
k1 / k1Bre	588 / 652	629 / 704	659 / 750
o / oBre	255 / 319	296 / 371	326 / 417
m / mBre	41 / 45	46 / 50	52 / 56
n / nBre	114 / 153	114 / 153	114 / 153
p / pBre	114 / 108	114 / 108	114 / 108

SK 9033.1

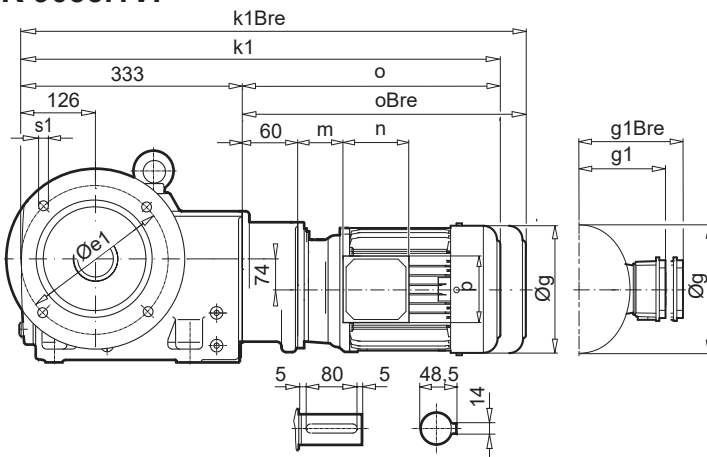
SK 9033.1



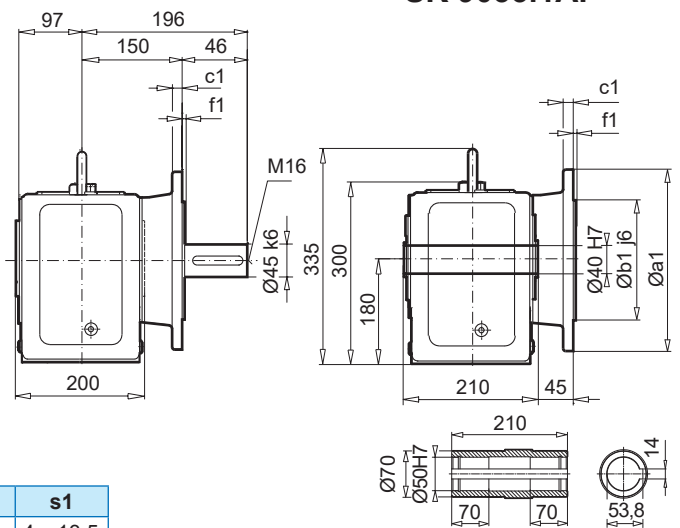
SK 9033.1AX



SK 9033.1VF

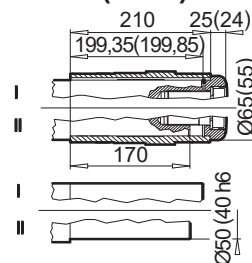


SK 9033.1AF



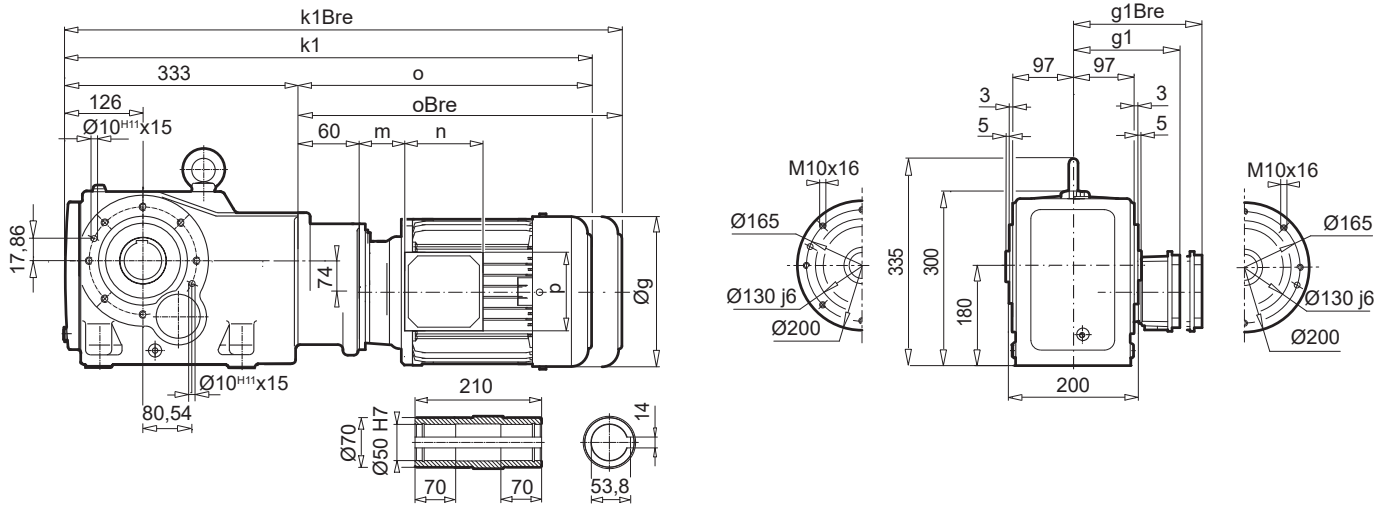
a1	b1	c1	e1	f1	s1
250	180	15	215	4	4 x 13,5
300	230	20	265	4	4 x 14

SK 9033.1AFB (AXB)

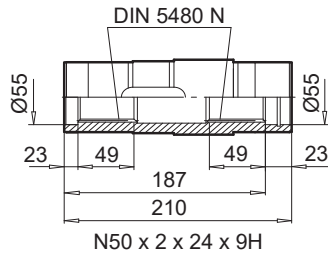


	80T1	90T1 / 90T3
g	165	183
g1 / g1Bre	142 / 142	147 / 147
k / kBre	640 / 704	681 / 756
k1 / k1Bre	654 / 718	695 / 770
o / oBre	261 / 325	302 / 377
m / mBre	47 / 51	52 / 56
n / nBre	114 / 153	114 / 153
p / pBre	114 / 108	114 / 108

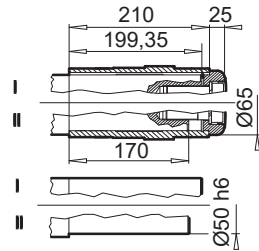
SK 9033.1AZ



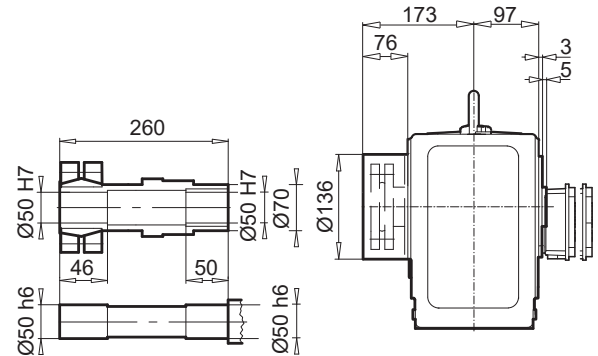
SK 9033.1AZEA



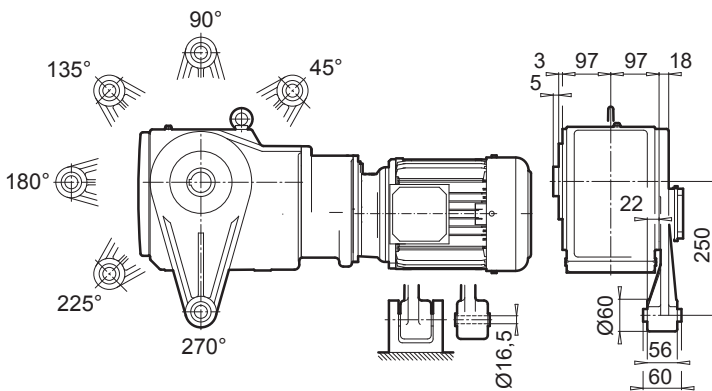
SK 9033.1AZB (AFB)



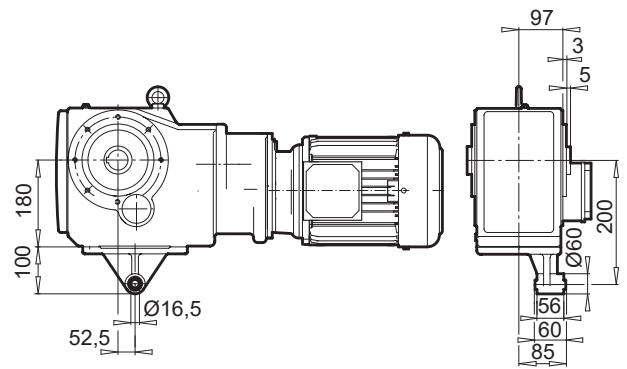
SK 9033.1AZSH (AFSH)



SK 9033.1AZD

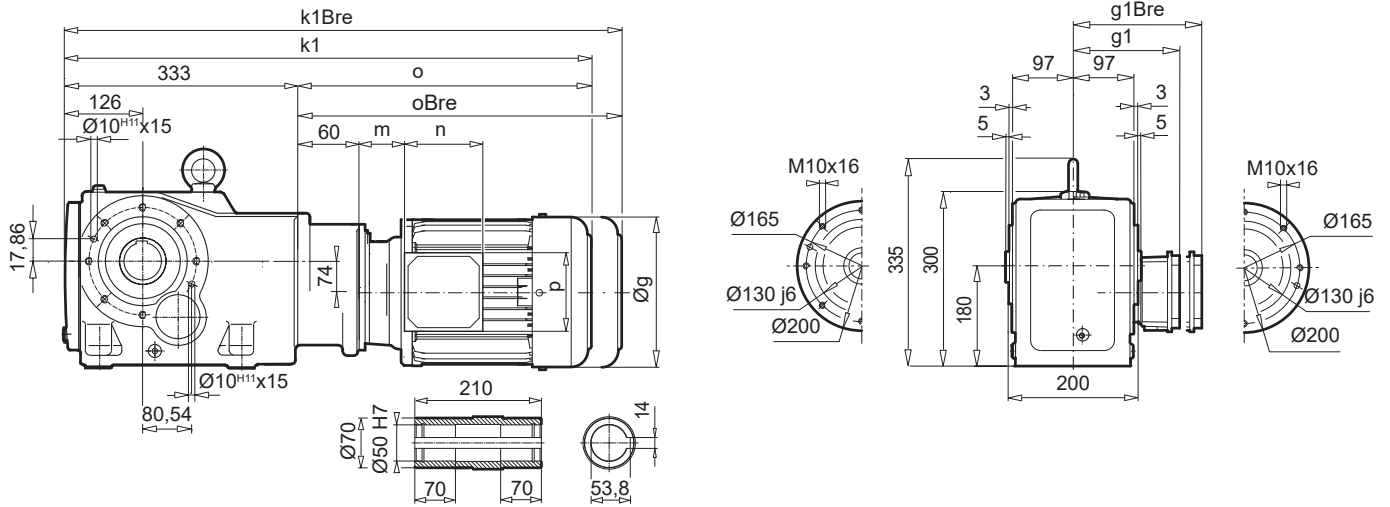


SK 9033.1AZK

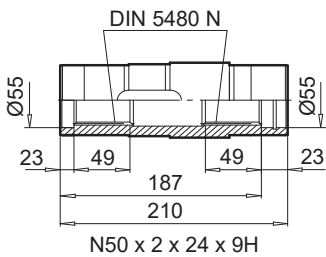


	80T1	90T1 / 90T3
g	165	183
g1 / g1Bre	142 / 142	147 / 147
k1 / k1Bre	654 / 718	695 / 770
o / oBre	261 / 325	302 / 377
m / mBre	47 / 51	52 / 56
n / nBre	114 / 153	114 / 153
p / pBre	114 / 108	114 / 108

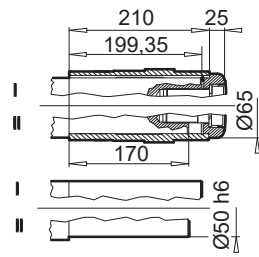
SK 9042.1AZ



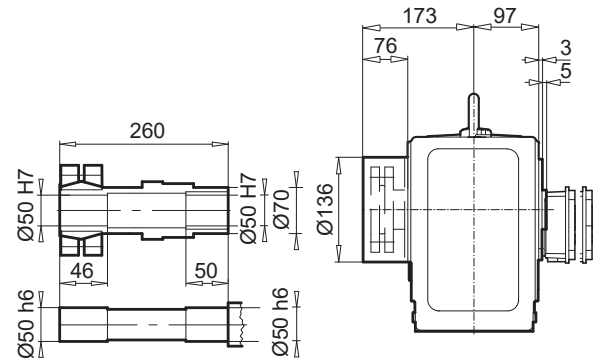
SK 9042.1AZEA



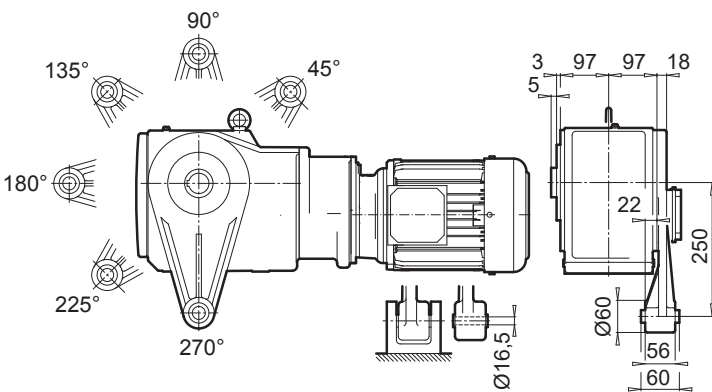
SK 9042.1AZB (AFB)



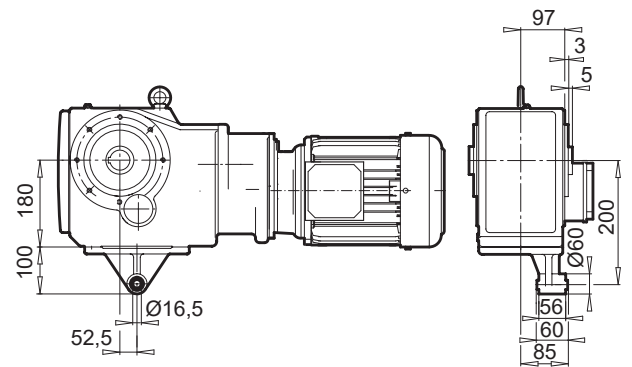
SK 9042.1AZSH (AFSH)



SK 9042.1AZD



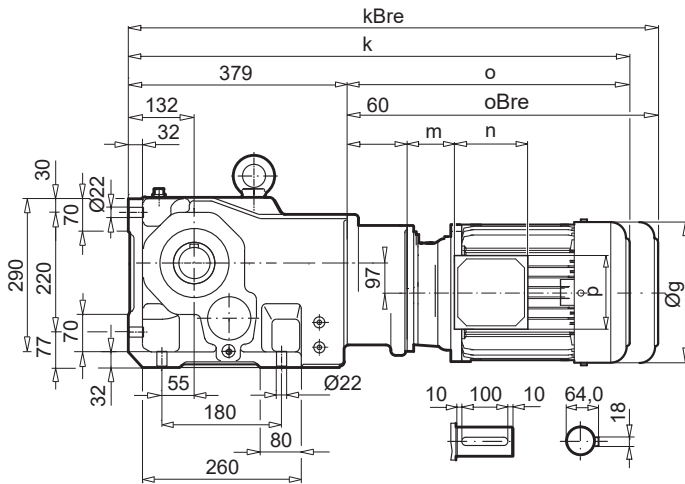
SK 9042.1AZK



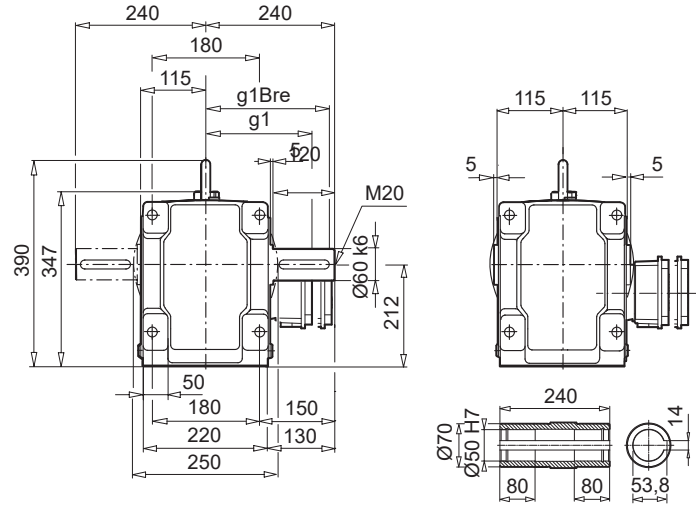
	90T1 / 90T3	100T2 / 100T5
g	183	201
g1 / g1Bre	147 / 147	169 / 173
k1 / k1Bre	677 / 752	707 / 798
o / oBre	276 / 351	306 / 397
m / mBre	26 / 30	32 / 36
n / nBre	114 / 153	114 / 153
p / pBre	114 / 108	114 / 108

SK 9043.1

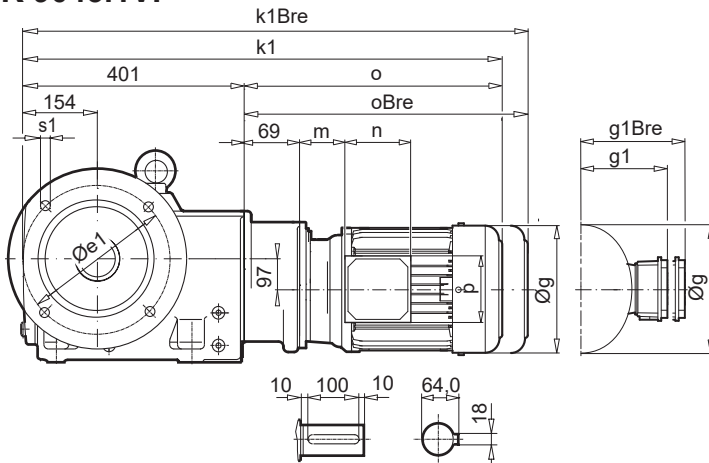
SK 9043.1



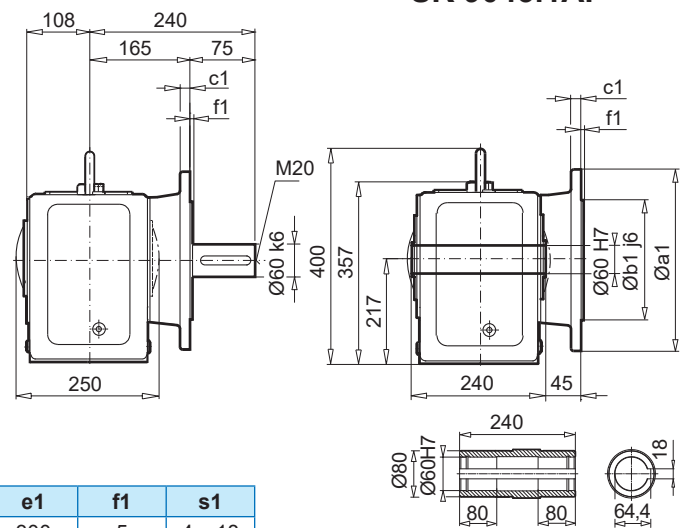
SK 9043.1AX



SK 9043.1VF

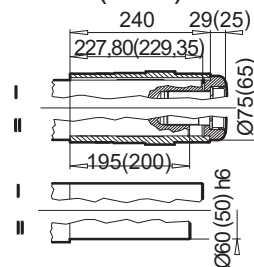


SK 9043.1AF



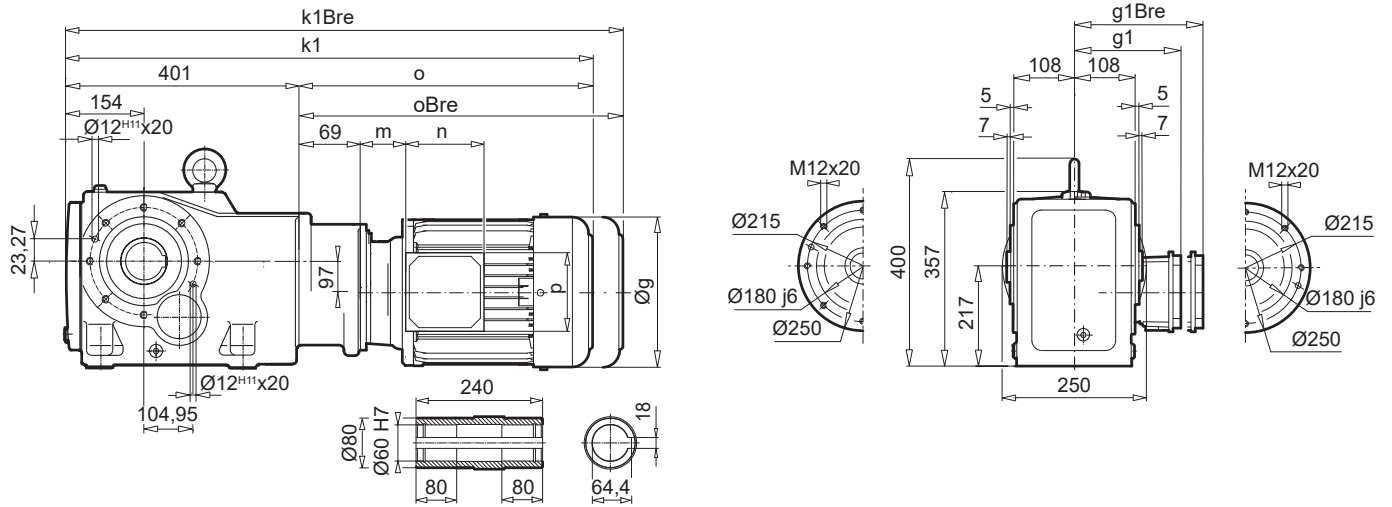
a1	b1	c1	e1	f1	s1
350	250	20	300	5	4 x 18

SK 9043.1AFB (AXB)

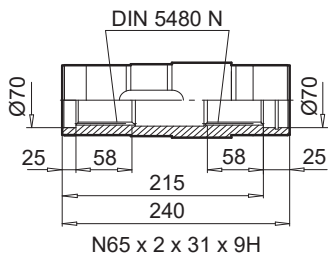


	80T1	90T1 / 90T3	100T2 / 100T5
g	165	183	201
g1 / g1Bre	142 / 142	147 / 147	169 / 173
k / kBre	703 / 767	744 / 819	774 / 865
k1 / k1Bre	725 / 789	766 / 841	796 / 887
o / oBre	255 / 319	296 / 371	326 / 417
m / mBre	41 / 45	46 / 50	52 / 56
n / nBre	114 / 153	114 / 153	114 / 153
p / pBre	114 / 108	114 / 108	114 / 108

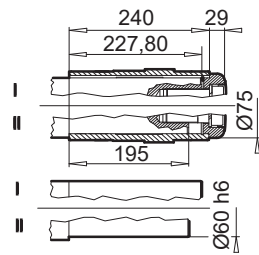
SK 9043.1AZ



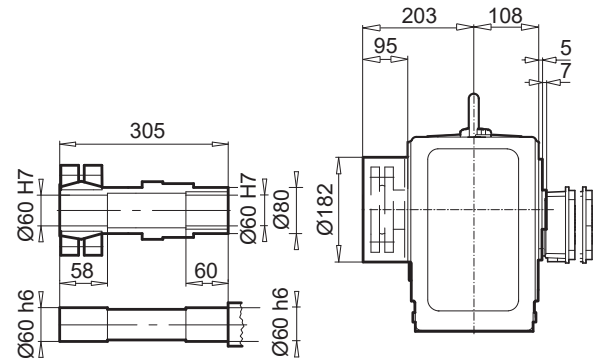
SK 9043.1AZEA



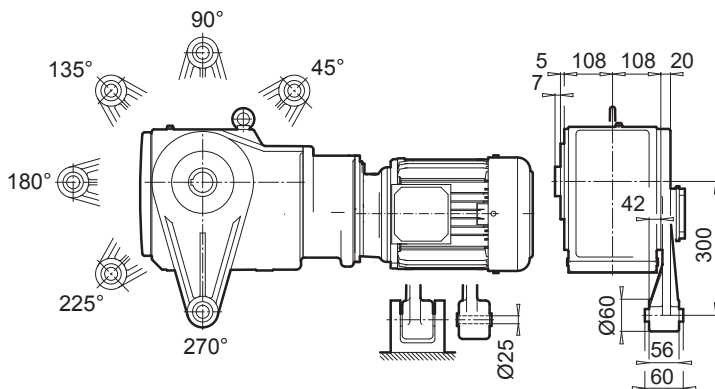
SK 9043.1AZB (AFB)



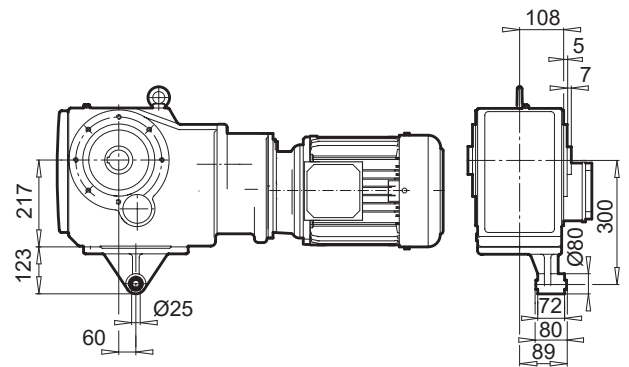
SK 9043.1AZSH (AFSH)



SK 9043.1AZD



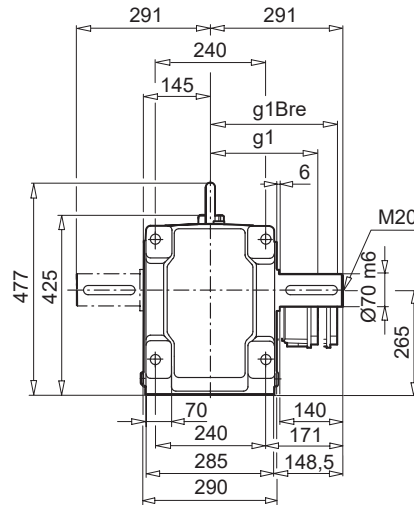
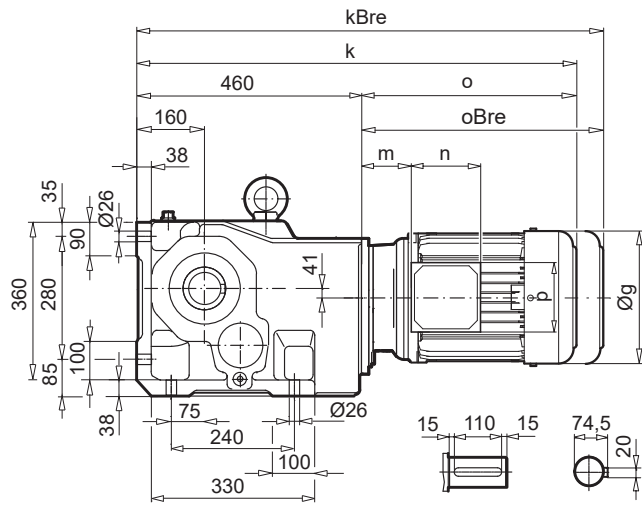
SK 9043.1AZK



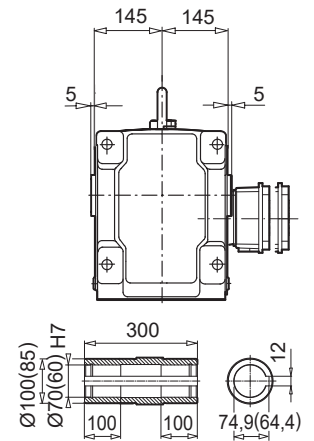
	80T1	90T1 / 90T3	100T2 / 100T5
g	165	183	201
g1 / g1Bre	142 / 142	147 / 147	169 / 173
k1 / k1Bre	725 / 789	766 / 841	796 / 887
o / oBre	255 / 319	296 / 371	326 / 417
m / mBre	41 / 45	46 / 50	52 / 56
n / nBre	114 / 153	114 / 153	114 / 153
p / pBre	114 / 108	114 / 108	114 / 108

SK 9052.1

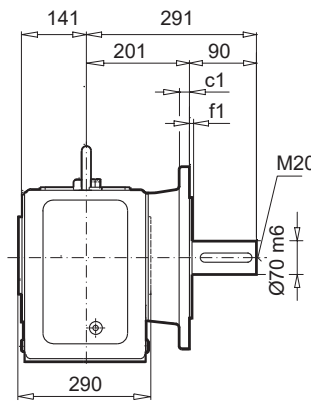
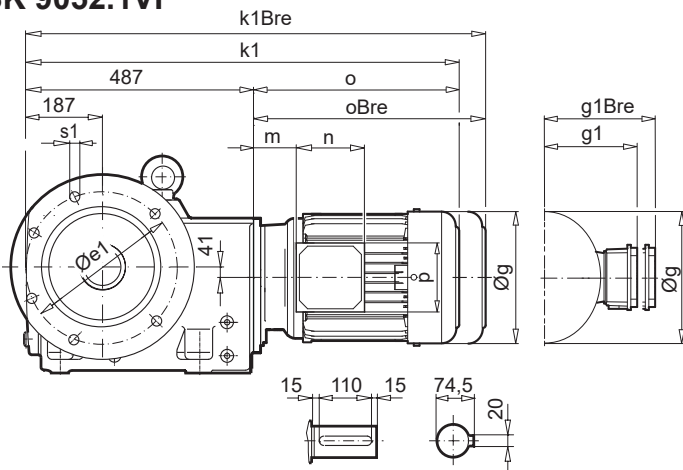
SK 9052.1



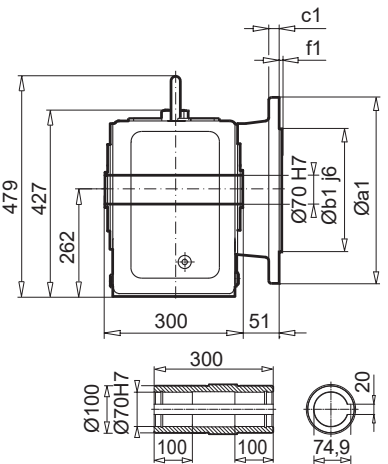
SK 9052.1AX



SK 9052.1VF

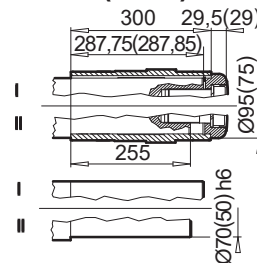


SK 9052.1AF



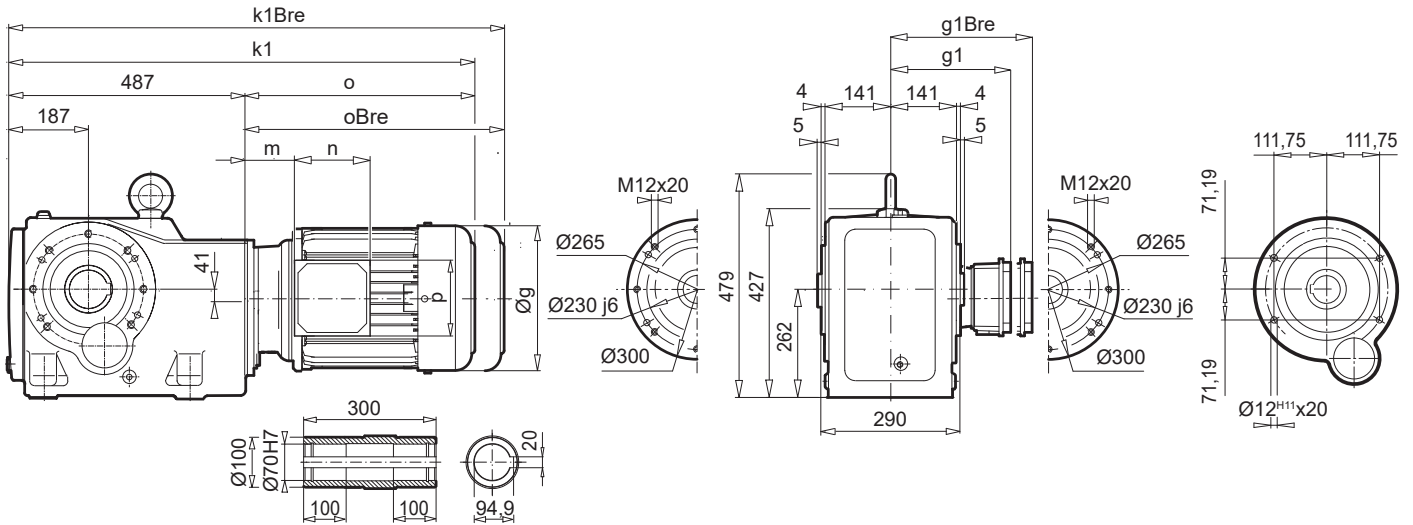
a1	b1	c1	e1	f1	s1
400	300	20	350	5	4 x 18
450	350	16	400	5	4 x 18

SK 9052.1AFB (AXB)



	90T1 / 90T3	100T2 / 100T5
g	183	201
g1 / g1Bre	147 / 147	169 / 173
k / kBre	736 / 811	766 / 857
k1 / k1Bre	763 / 838	793 / 884
o / oBre	276 / 351	306 / 397
m / mBre	26 / 30	32 / 36
n / nBre	114 / 153	114 / 153
p / pBre	114 / 108	114 / 108

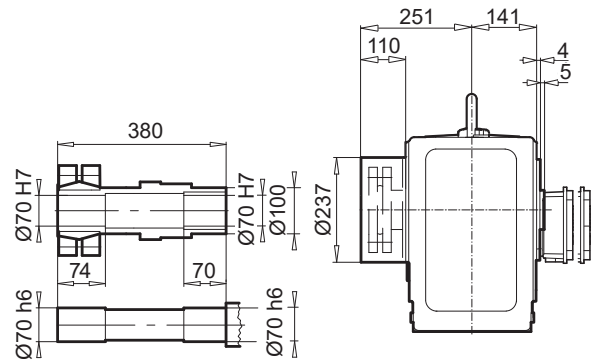
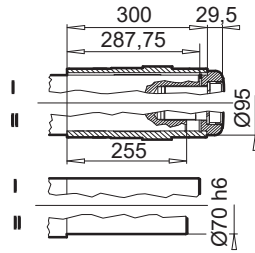
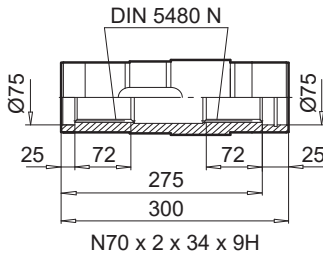
SK 9052.1AZ



SK 9052.1AZEA

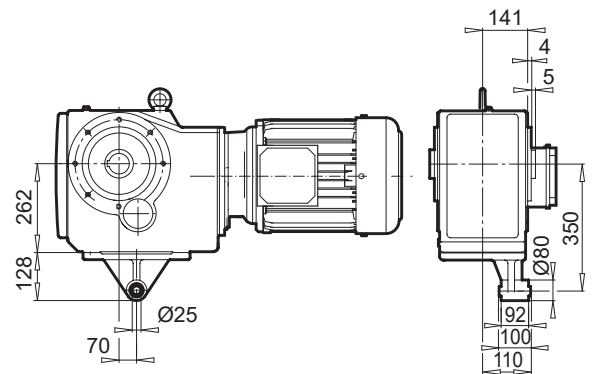
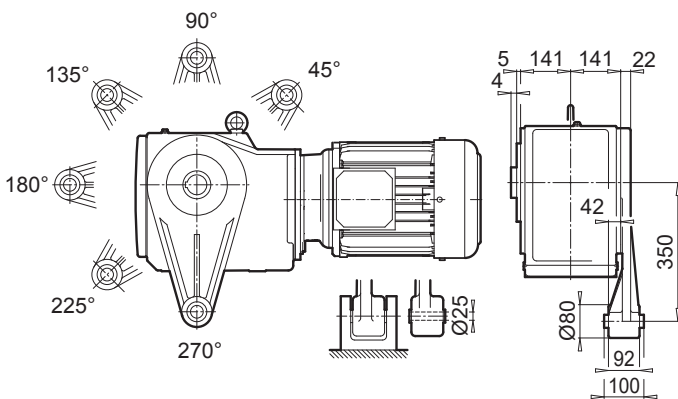
SK 9052.1AZB (AFB)

SK 9052.1AZSH (AFSH)



SK 9052.1AZD

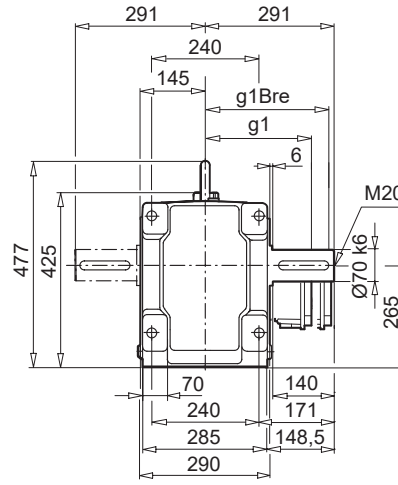
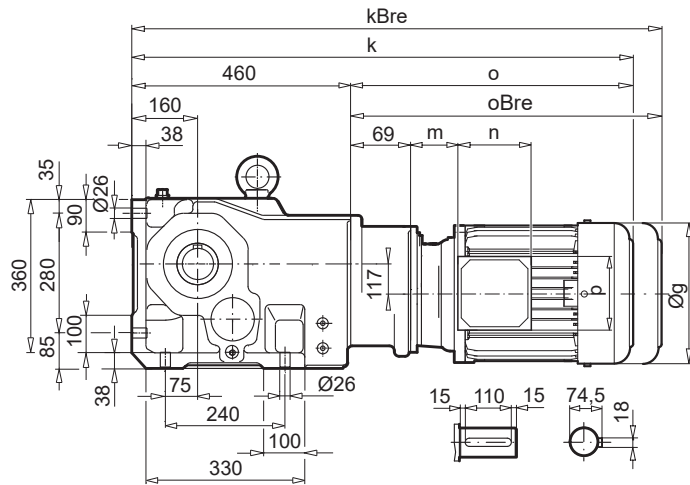
SK 9052.1AZK



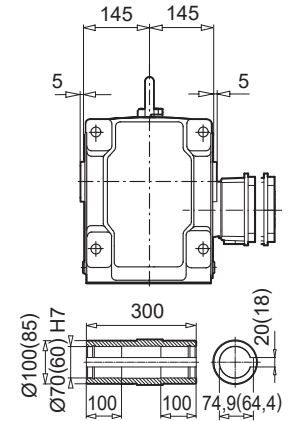
	90T1 / 90T3	100T2 / 100T5
g	183	201
g1 / g1Bre	147 / 147	169 / 173
k1 / k1Bre	763 / 838	793 / 884
o / oBre	276 / 351	306 / 397
m / mBre	26 / 30	32 / 36
n / nBre	114 / 153	114 / 153
p / pBre	114 / 108	114 / 108

SK 9053.1

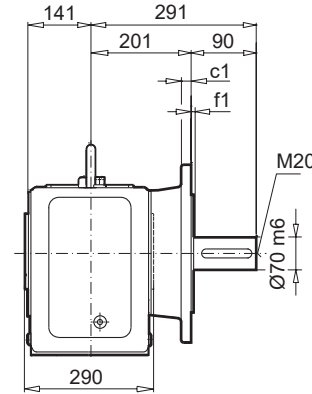
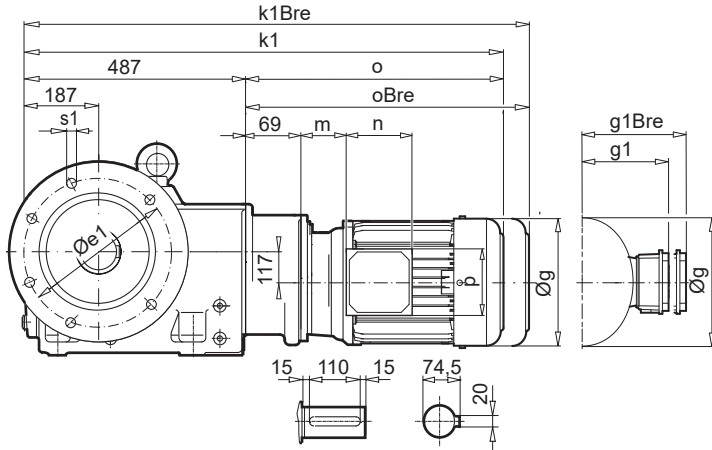
SK 9053.1



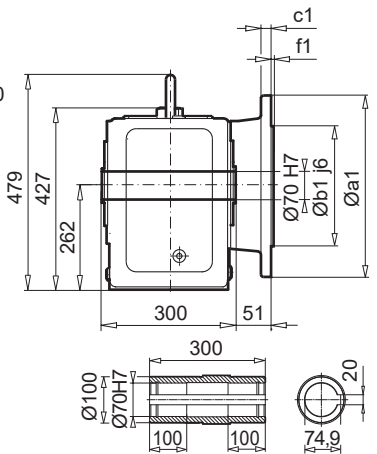
SK 9053.1AX



SK 9053.1VF

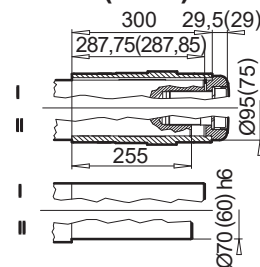


SK 9053.1AF



a1	b1	c1	e1	f1	s1
400	300	20	350	5	4 x 18
450	350	16	400	5	4 x 18

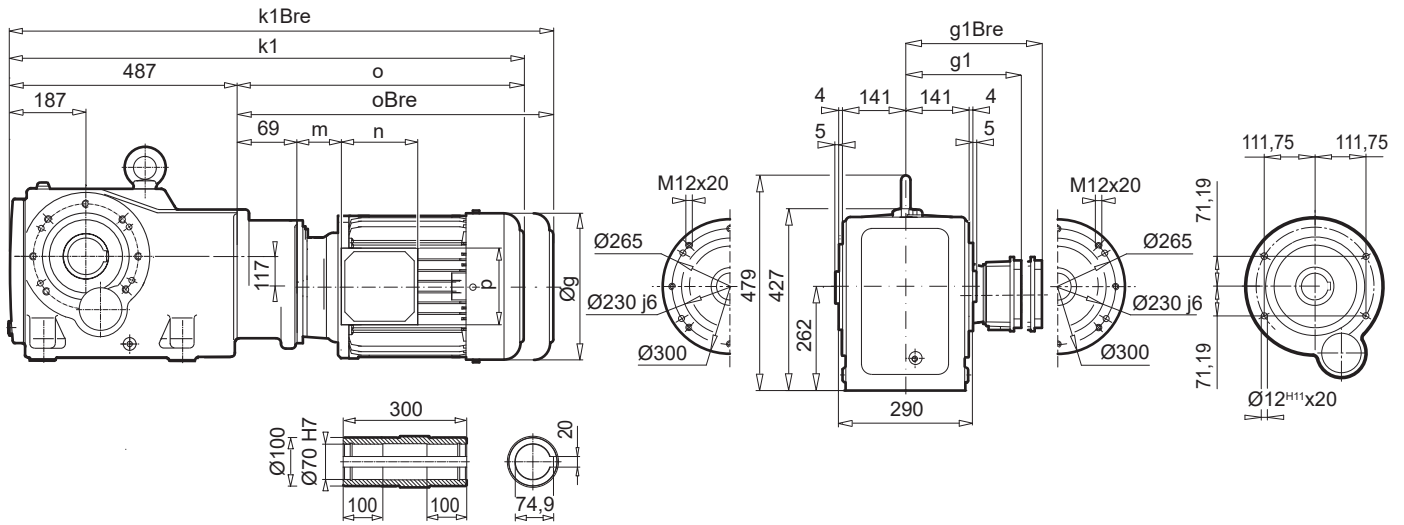
SK 9053.1AFB (AXB)



	80T1	90T1 / 90T3	100T2 / 100T5
g	165	183	201
g1 / g1Bre	142 / 142	147 / 147	169 / 173
k / kBre	784 / 848	825 / 900	855 / 946
k1 / k1Bre	811 / 875	852 / 927	882 / 973
o / oBre	255 / 319	296 / 371	326 / 417
m / mBre	41 / 45	46 / 50	52 / 56
n / nBre	114 / 153	114 / 153	114 / 153
p / pBre	114 / 108	114 / 108	114 / 108

Helical-bevel gear units

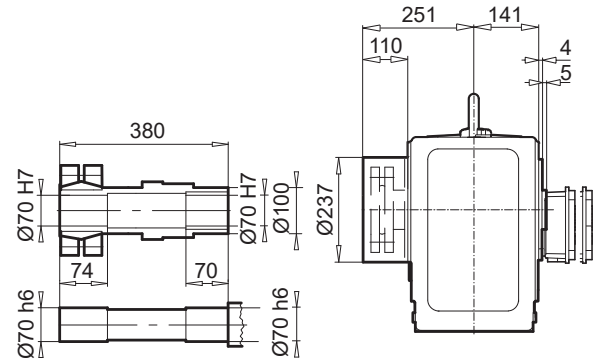
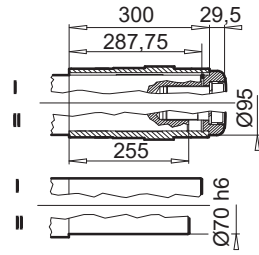
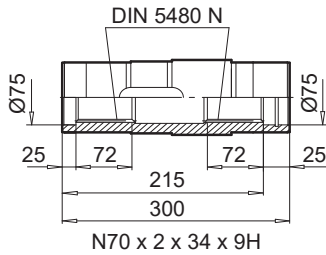
SK 9053.1AZ



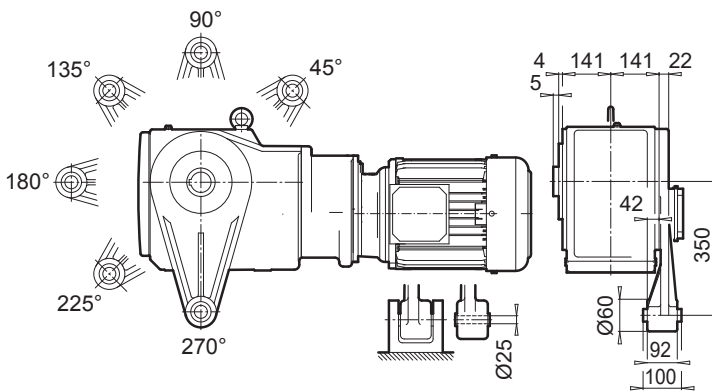
SK 9053.1AZEA

SK 9053.1AZB (AFB)

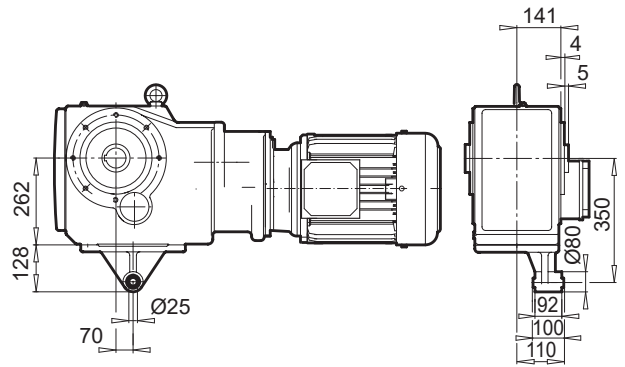
SK 9053.1AZSH (AFSH)



SK 9053.1AZD



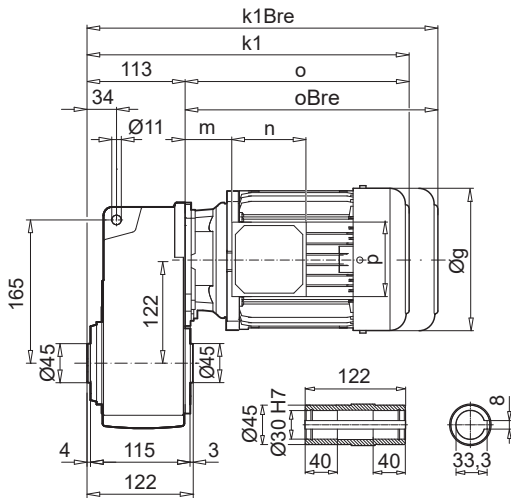
SK 9053.1AZK



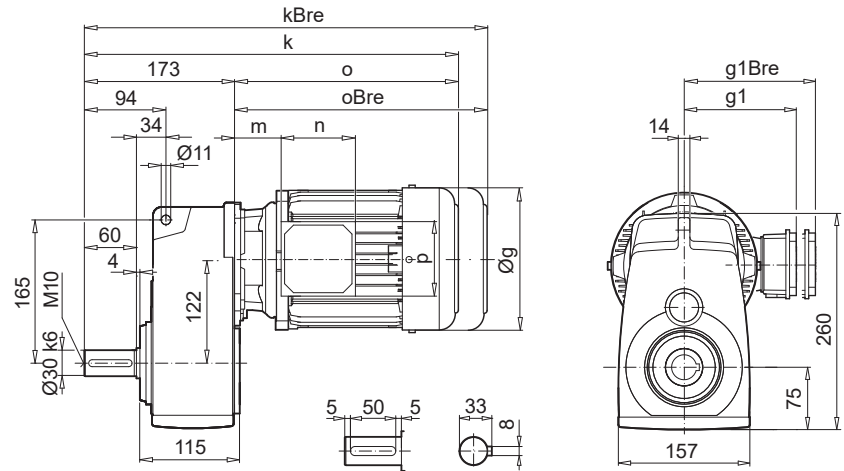
	80T1	90T1 / 90T3	100T2 / 100T5
g	165	183	201
g1 / g1Bre	142 / 142	147 / 147	169 / 173
k1 / k1Bre	811 / 875	852 / 927	882 / 973
o / oBre	255 / 319	296 / 371	326 / 417
m / mBre	41 / 45	46 / 50	52 / 56
n / nBre	114 / 153	114 / 153	114 / 153
p / pBre	114 / 108	114 / 108	114 / 108

SK 1282

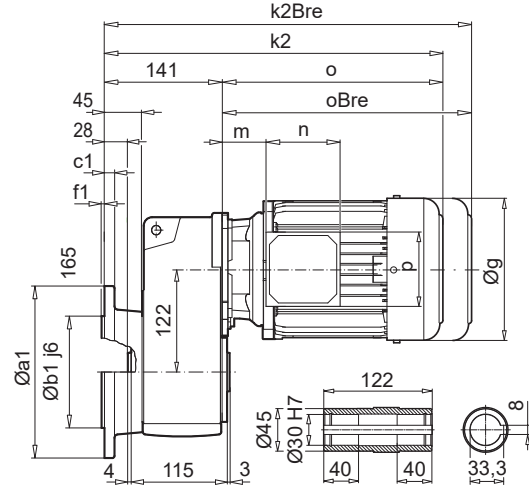
SK 1282A



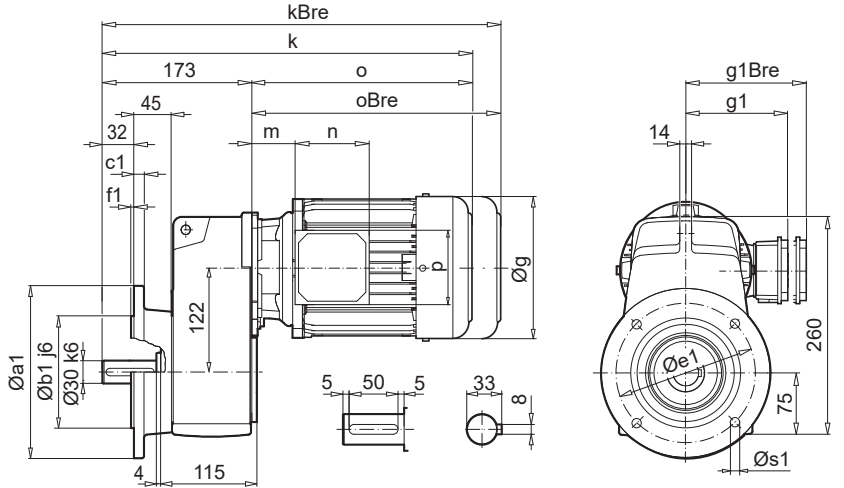
SK 1282V



SK 1282AF

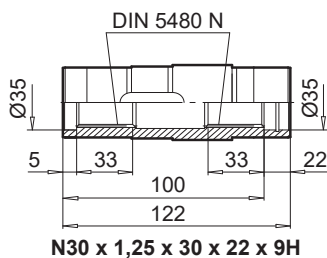


SK 1282VF

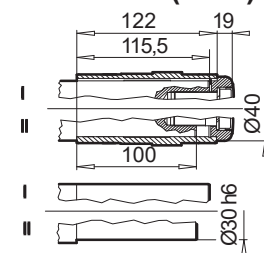


a1	b1	c1	e1	f1	s1
200	130	12	165	3,5	4 x 11

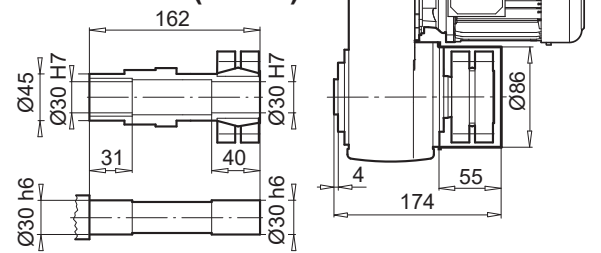
SK 1282EA



SK 1282AB (AFB)



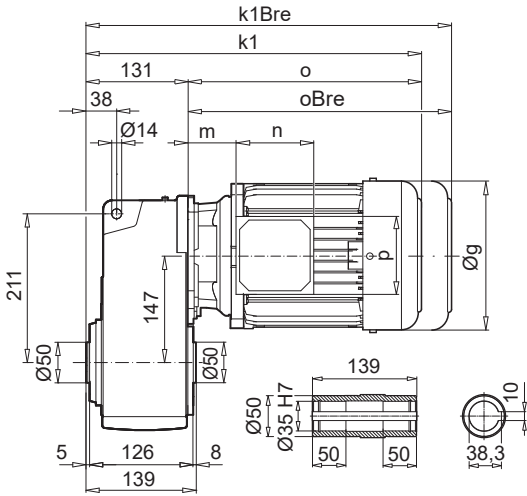
SK 1282ASH (AFSH)*



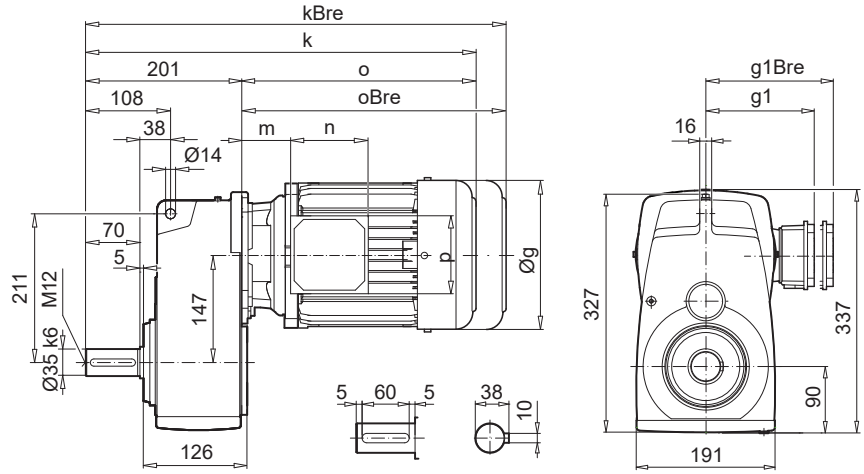
* only possible with motor 80T1

	80T1	90T1 / 90T3	100T2 / 100T5
g	165	183	201
g1 / g1Bre	142 / 142	147 / 147	169 / 173
k / kBre	434 / 498	475 / 550	505 / 596
k1 / k1Bre	374 / 438	415 / 490	445 / 536
k2 / k2Bre	402 / 466	443 / 518	473 / 564
o / oBre	261 / 325	302 / 377	332 / 423
m / mBre	47 / 51	52 / 56	58 / 62
n / nBre	114 / 153	114 / 153	114 / 153
p / pBre	114 / 108	114 / 108	114 / 108

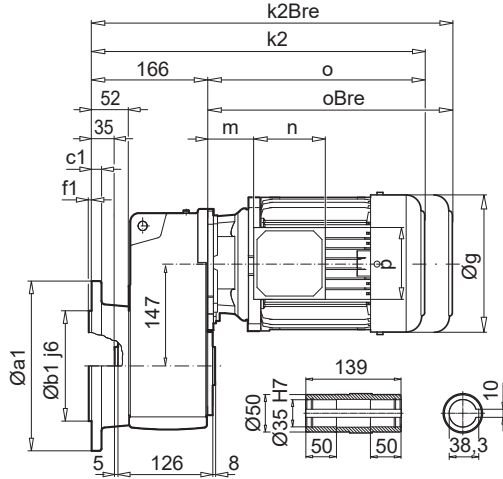
SK 2282A



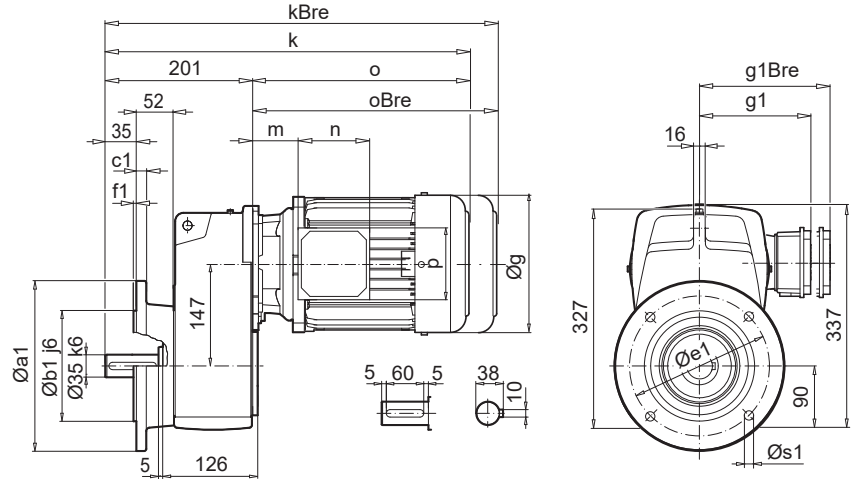
SK 2282V



SK 2282AF

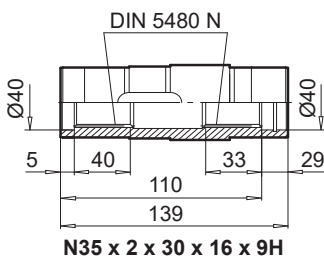


SK 2282VF

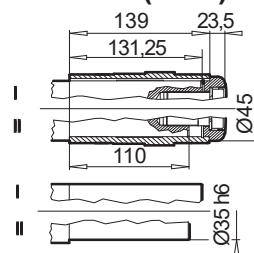


a1	b1	c1	e1	f1	s1
250	180	16	215	4	4 x 13,5

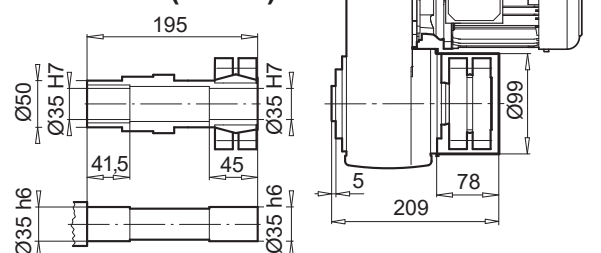
SK 2282EA



SK 2282AB (AFB)



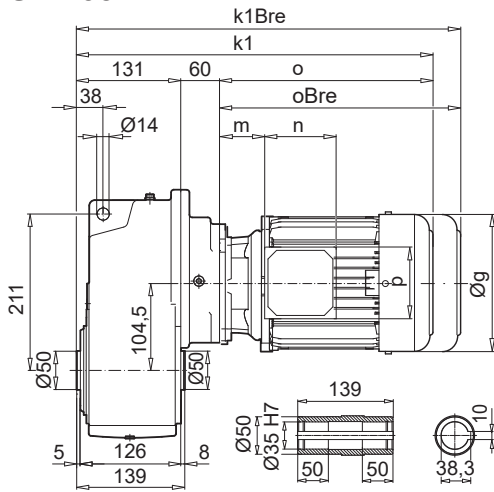
SK 2282ASH (AFSH)



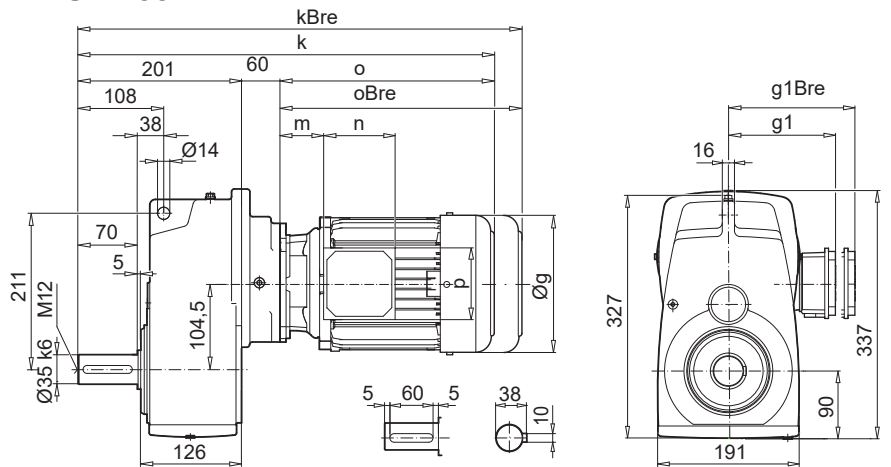
	80T1	90T1 / 90T3	100T2 / 100T5
g	165	183	201
g1 / g1Bre	142 / 142	147 / 147	169 / 173
k / kBre	456 / 520	497 / 572	527 / 618
k1 / k1Bre	386 / 450	427 / 502	457 / 548
k2 / k2Bre	421 / 485	462 / 537	492 / 583
o / oBre	255 / 319	296 / 371	326 / 417
m / mBre	41 / 44	46 / 50	52 / 56
n / nBre	114 / 153	114 / 153	114 / 153
p / pBre	114 / 108	114 / 108	114 / 108

SK 2382

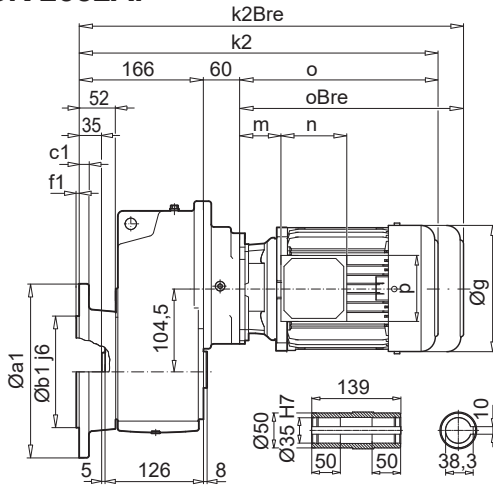
SK 2382A



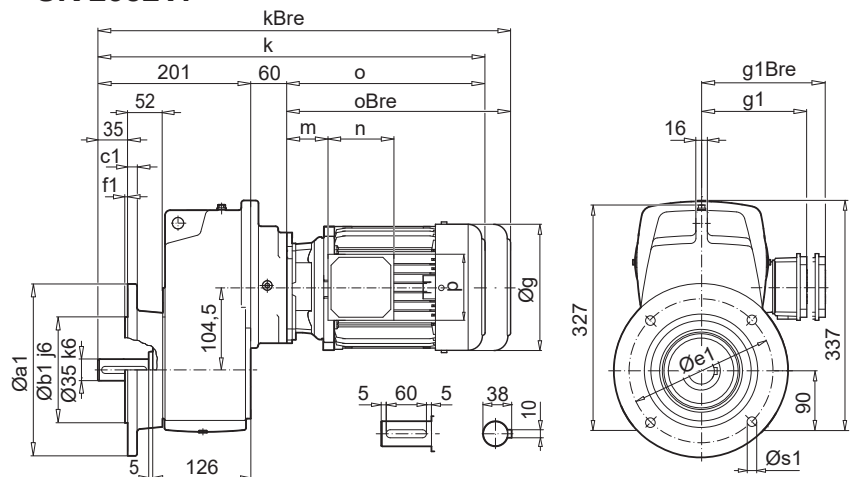
SK 2382V



SK 2382AF

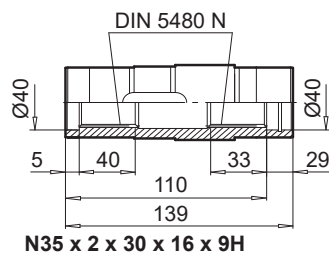


SK 2382VF

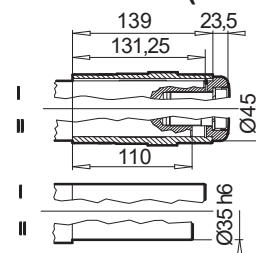


a1	b1	c1	e1	f1	s1
250	180	16	215	4	4 x 13.5

SK 2382EA

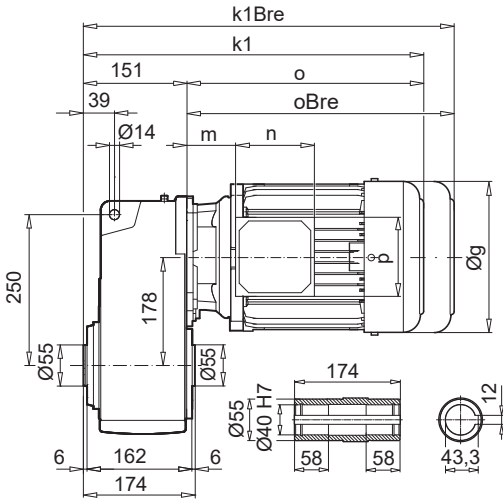


SK 2382AB (AFB)

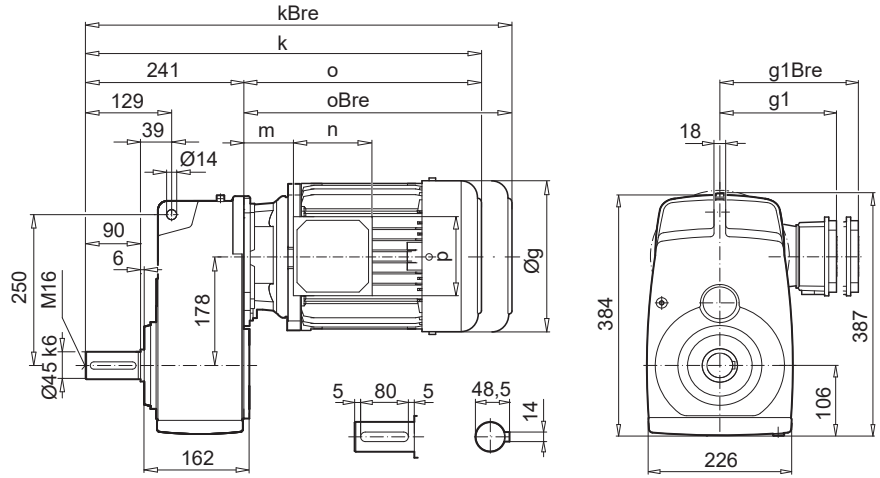


	80T1	90T1 / 90T3
g	165	183
g1 / g1Bre	142 / 142	147 / 147
k / kBre	522 / 586	563 / 638
k1 / k1Bre	452 / 516	493 / 568
k2 / k2Bre	487 / 551	528 / 603
o / oBre	261 / 325	296 / 371
m / mBre	47 / 50	52 / 56
n / nBre	114 / 153	114 / 153
p / pBre	114 / 108	114 / 108

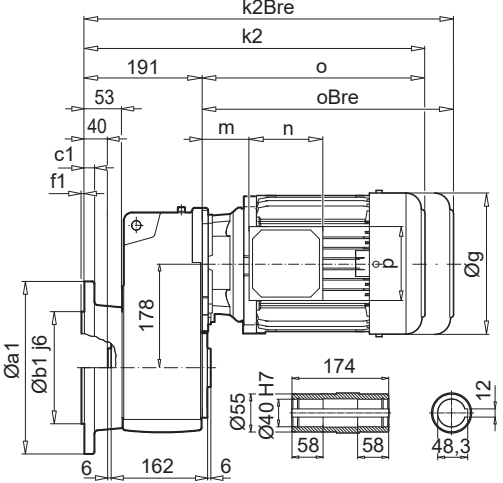
SK 3282A



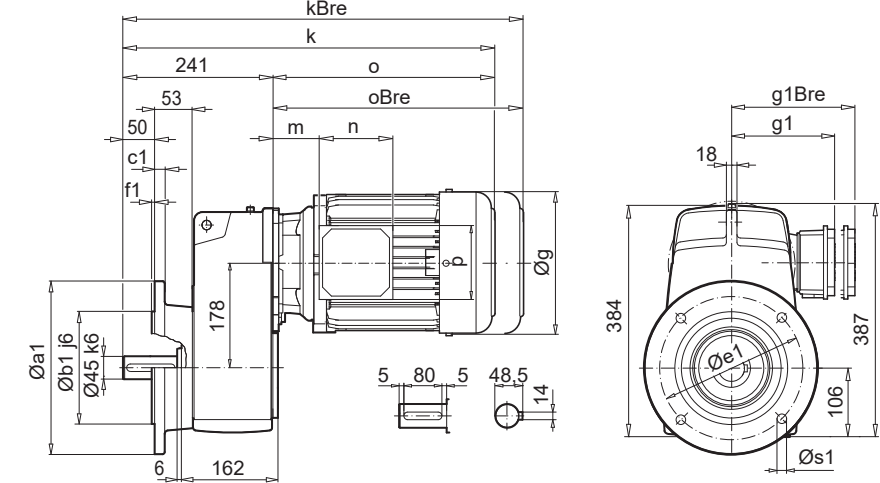
SK 3282V



SK 3282AF

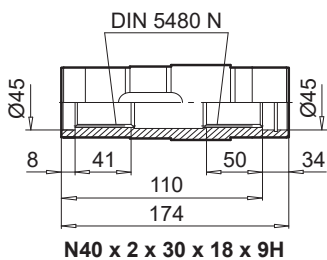


SK 3282VF

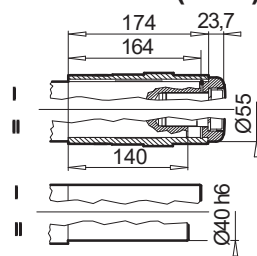


a1	b1	c1	e1	f1	s1
250	180	15	215	4	4 x 13,5
300	230	20	265	4	4 x 13,5

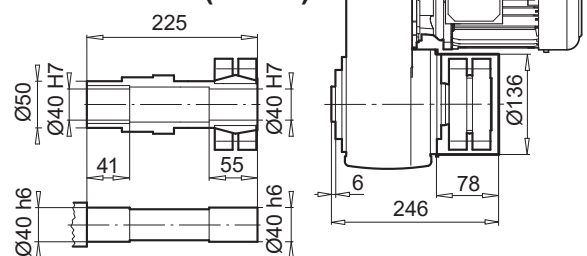
SK 3282EA



SK 3282AB (AFB)



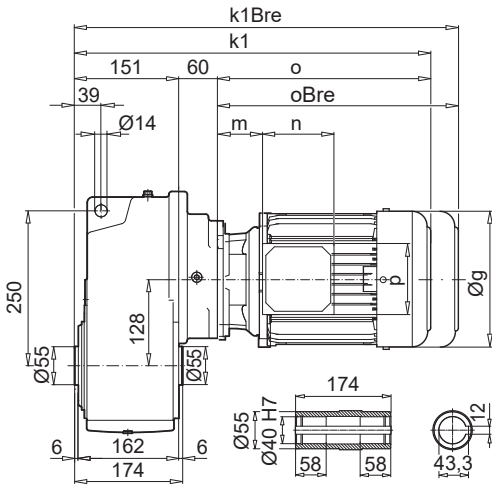
SK 3282ASH (AFSH)



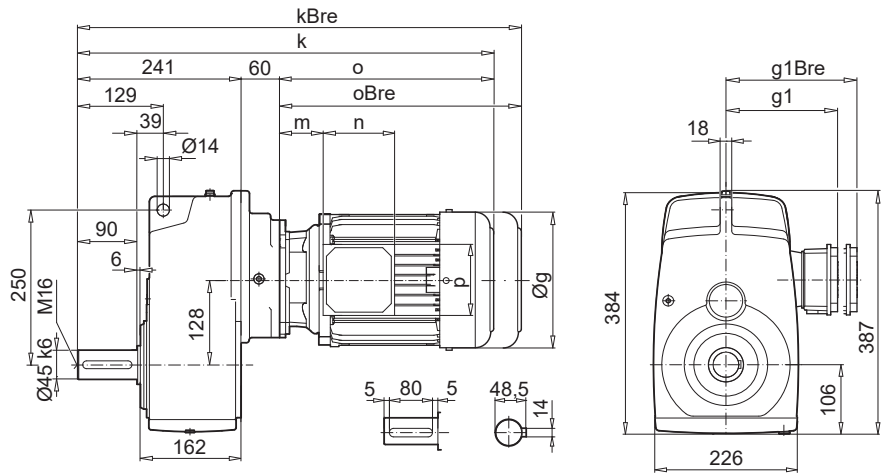
	80T1	90T1 / 90T3	100T2 / 100T5
g	165	183	201
g1 / g1Bre	142 / 142	147 / 147	169 / 173
k / kBRe	496 / 560	537 / 612	567 / 658
k1 / k1Bre	406 / 470	447 / 522	477 / 568
k2 / k2Bre	446 / 510	487 / 562	517 / 608
o / oBre	255 / 319	296 / 371	326 / 417
m / mBre	41 / 44	46 / 50	52 / 56
n / nBre	114 / 153	114 / 153	114 / 153
p / pBre	114 / 108	114 / 108	114 / 108

SK 3382

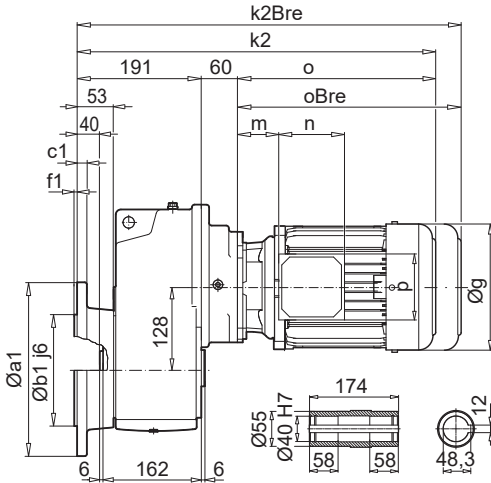
SK 3382A



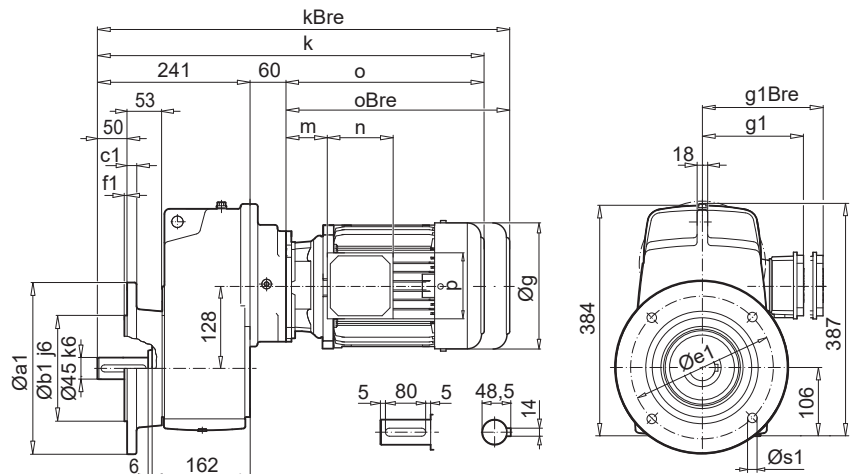
SK 3382V



SK 3382AF

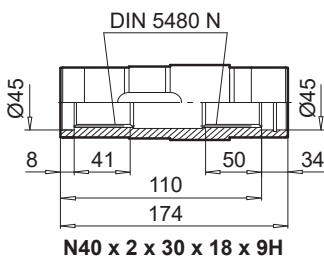


SK 3382VF

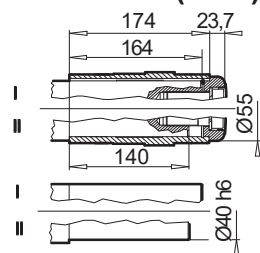


a1	b1	c1	e1	f1	s1
250	180	15	215	4	4 x 13,5
300	230	20	265	4	4 x 13,5

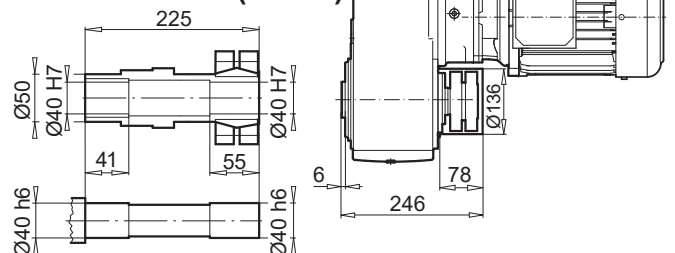
SK 3382EA



SK 3382AB (AFB)

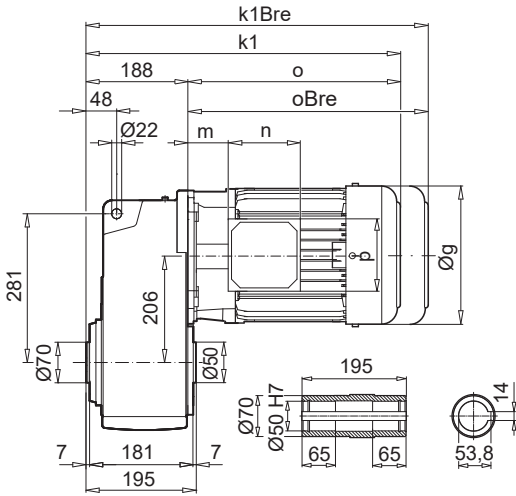


SK 3382ASH (AFSH)

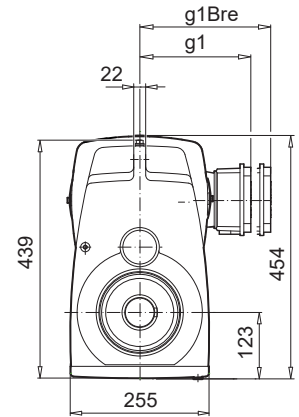
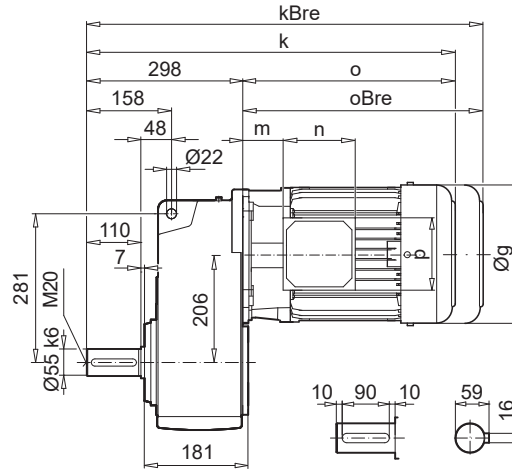


	80T1	90T1 / 90T3
g	165	183
g1 / g1Bre	142 / 142	147 / 147
k / kBre	562 / 626	603 / 678
k1 / k1Bre	472 / 536	513 / 588
k2 / k2Bre	512 / 576	553 / 628
o / oBre	261 / 325	302 / 377
m / mBre	47 / 50	52 / 56
n / nBre	114 / 153	114 / 153
p / pBre	114 / 108	114 / 108

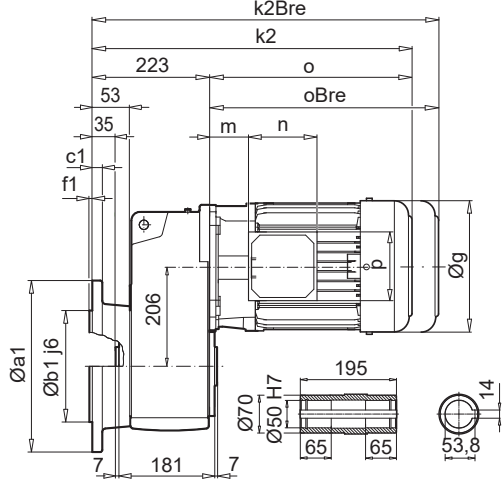
SK 4282A



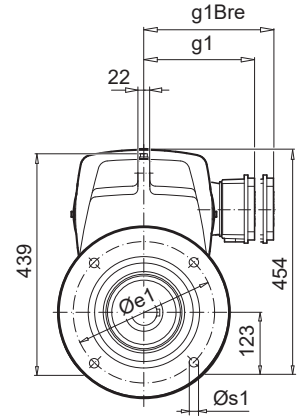
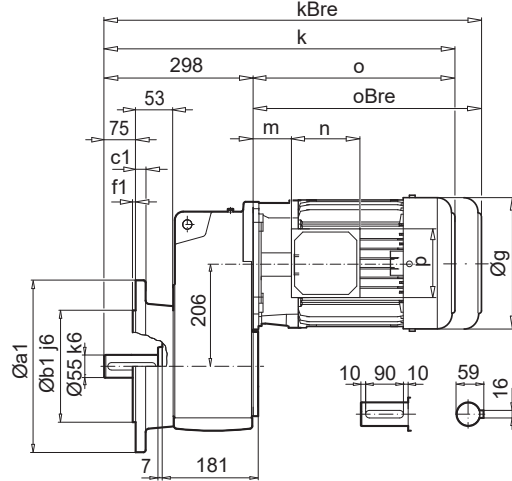
SK 4282V



SK 4282AF

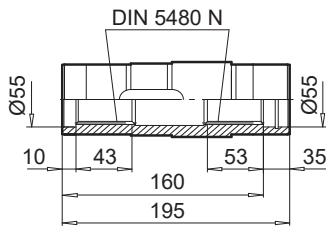


SK 4282VF

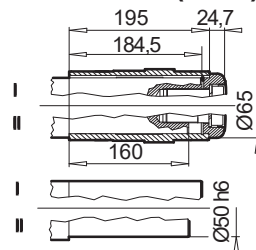


a1	b1	c1	e1	f1	s1
250	180	14,5	215	4	4 x 14
300	230	20	265	4	4 x 14

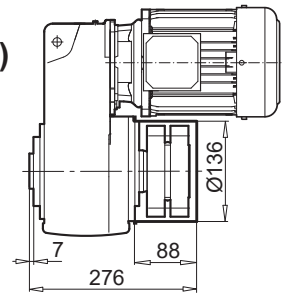
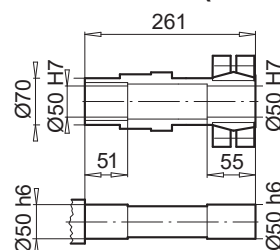
SK 4282EA



SK 4282AB (AFB)

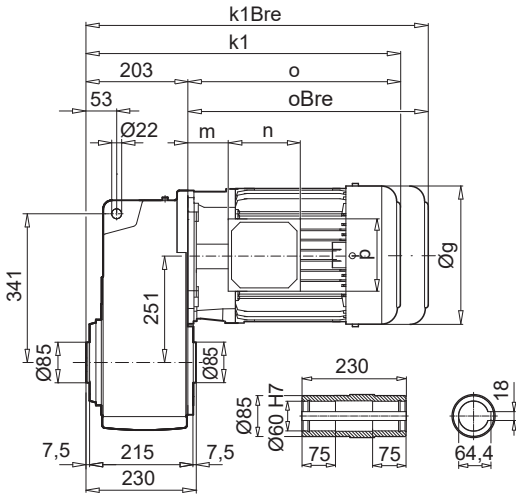


SK 4282ASH (AFSH)

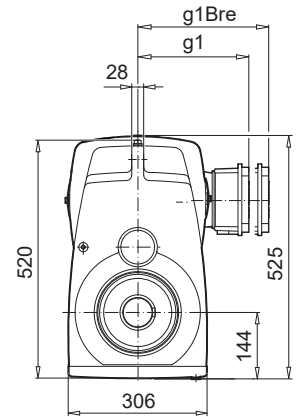
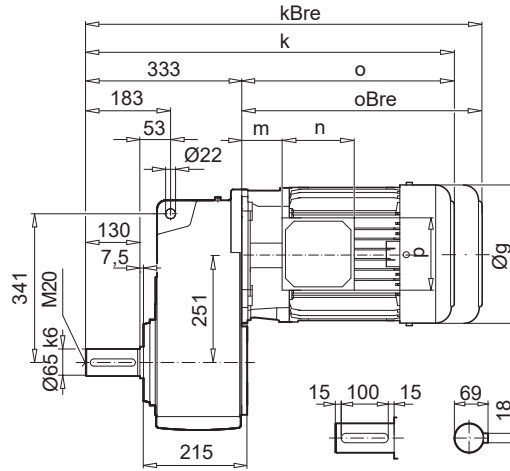


	90T1 / 90T3	100T2 / 100T5
g	183	201
g1 / g1Bre	147 / 147	169 / 173
k / kBre	574 / 649	604 / 695
k1 / k1Bre	464 / 539	494 / 585
k2 / k2Bre	499 / 574	529 / 620
o / oBre	276 / 351	306 / 397
m / mBre	26 / 30	32 / 36
n / nBre	114 / 153	114 / 153
p / pBre	114 / 108	114 / 108

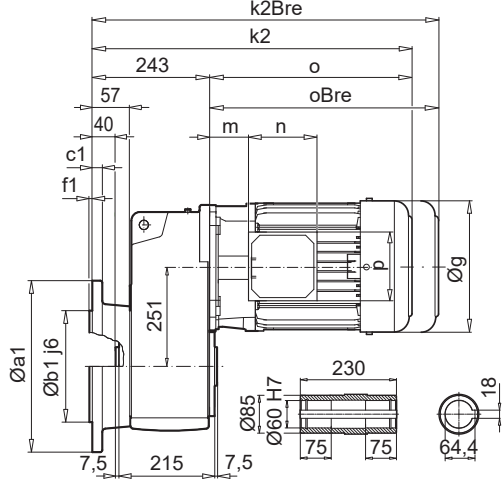
SK 5282A



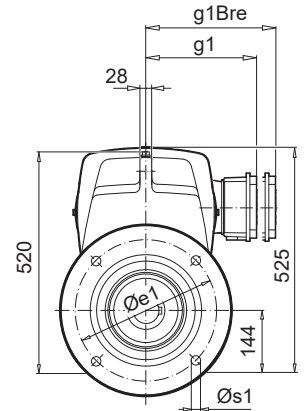
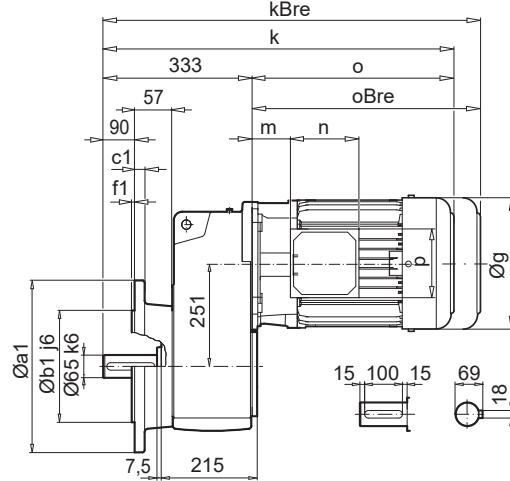
SK 5282V



SK 5282AF

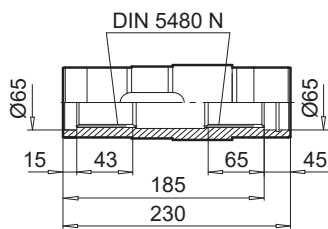


SK 5282VF



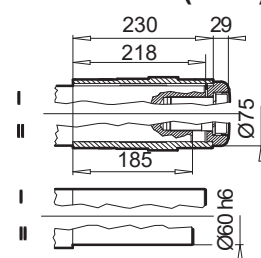
a1	b1	c1	e1	f1	s1
350	250	20	300	5	4 x 18

SK 5282EA

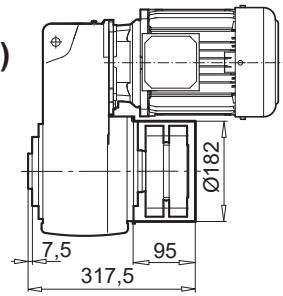
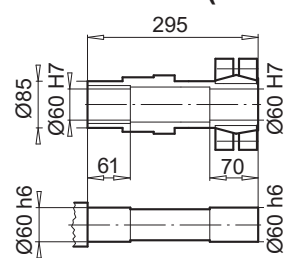


N60 x 2 x 30 x 28 x 9H

SK 5282AB (AFB)



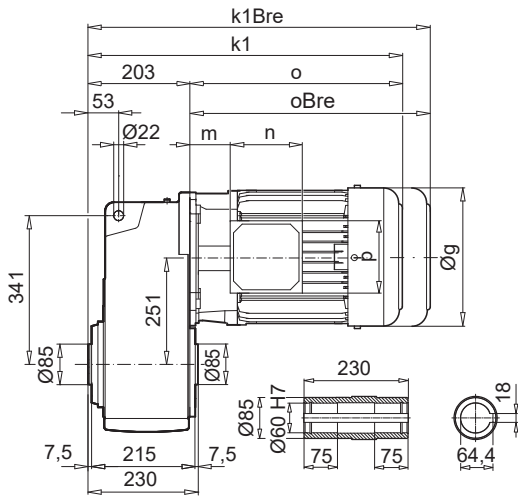
SK 5282ASH (AFSH)



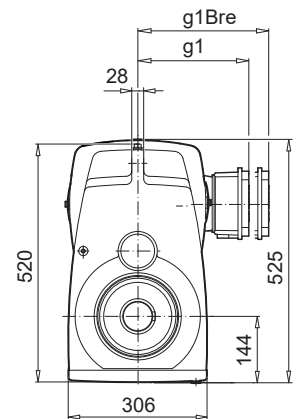
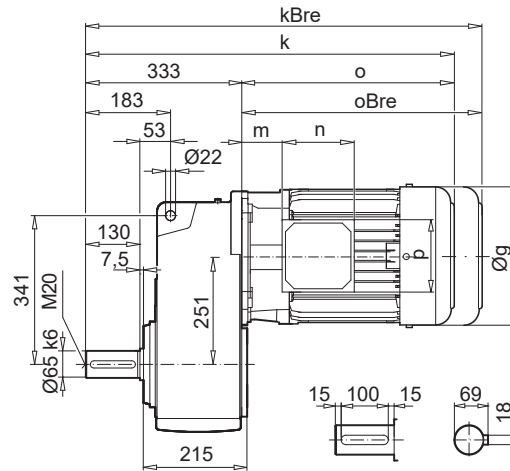
	90T1 / 90T3	100T2 / 100T5
g	183	201
g1 / g1Bre	147 / 147	169 / 173
k / kBre	609 / 684	639 / 730
k1 / k1Bre	479 / 554	509 / 600
k2 / k2Bre	519 / 594	549 / 640
o / oBre	276 / 351	306 / 397
m / mBre	26 / 30	32 / 36
n / nBre	114 / 153	114 / 153
p / pBre	114 / 108	114 / 108

SK 5382

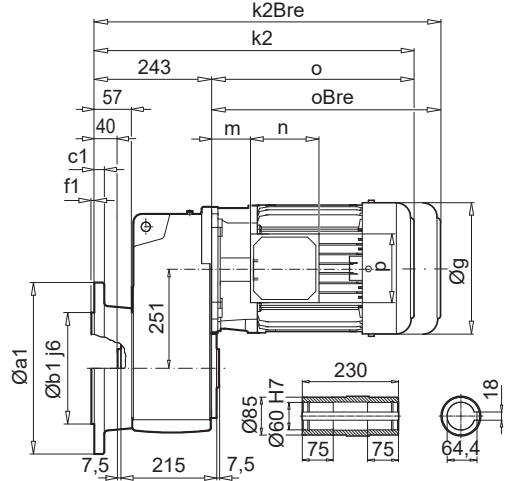
SK 5382A



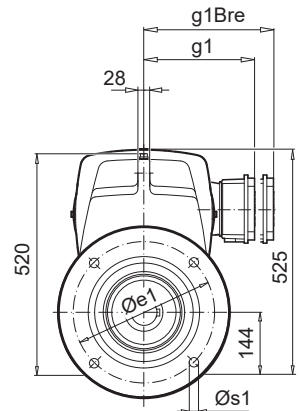
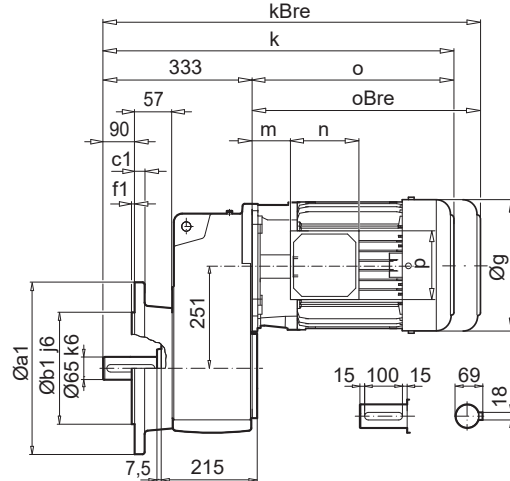
SK 5382V



SK 5382AF

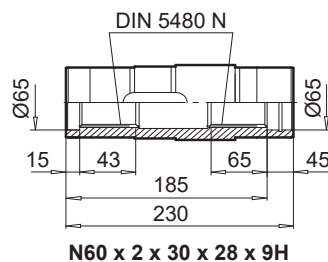


SK 5382VF

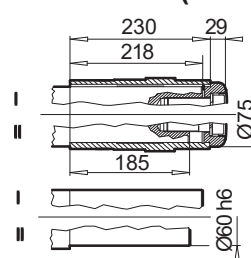


a1	b1	c1	e1	f1	s1
350	250	20	300	5	4 x 18

SK 5382EA

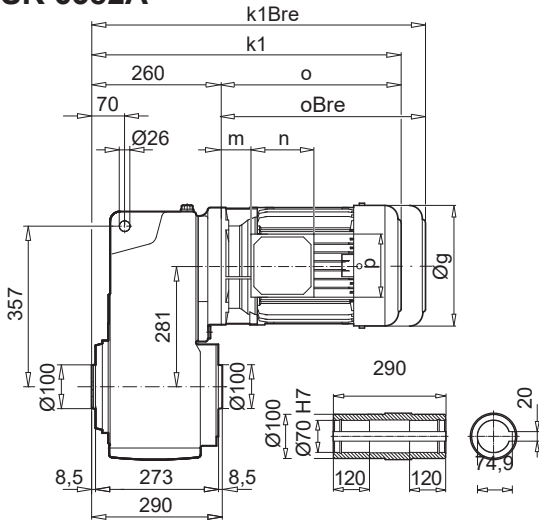


SK 5382AB (AFB)

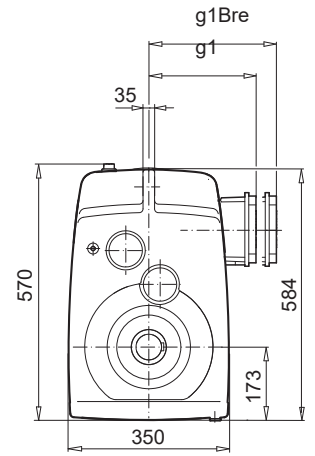
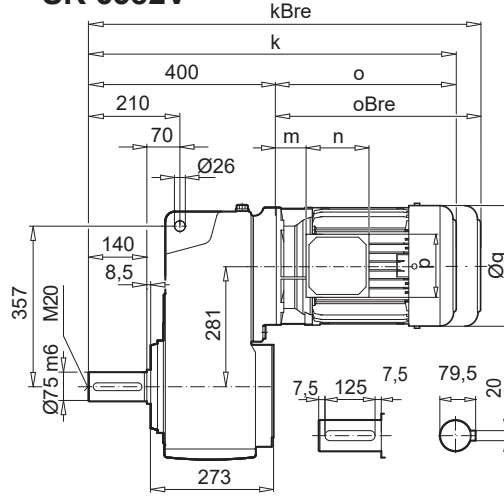


	80T1	90T1 / 90T3	100T2 / 100T5
g	165	183	201
g1 / g1Bre	142 / 142	147 / 147	169 / 173
k / kBre	657 / 721	698 / 773	728 / 819
k1 / k1Bre	527 / 591	568 / 643	598 / 689
k2 / k2Bre	567 / 631	608 / 683	638 / 729
o / oBre	255 / 319	296 / 371	326 / 417
m / mBre	41 / 44	46 / 50	52 / 56
n / nBre	114 / 153	114 / 153	114 / 153
p / pBre	114 / 108	114 / 108	114 / 108

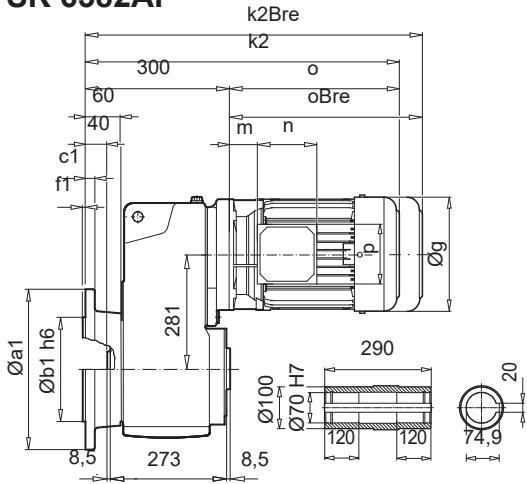
SK 6382A



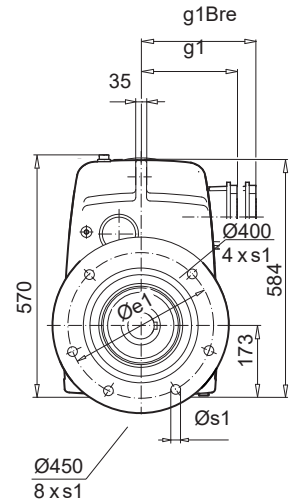
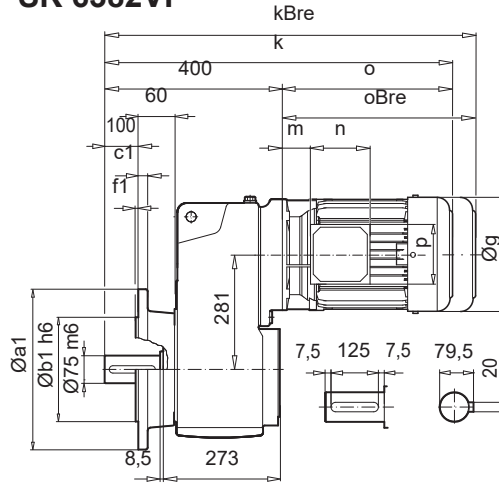
SK 6382V



SK 6382AF

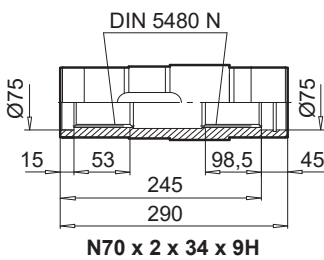


SK 6382VF

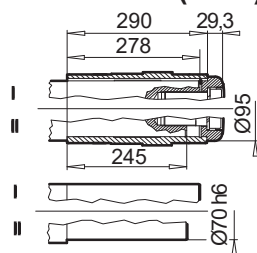


a1	b1	c1	e1	f1	s1
400	300	20	350	5	4 x 17,5
450	350	16	400	5	8 x 17,5

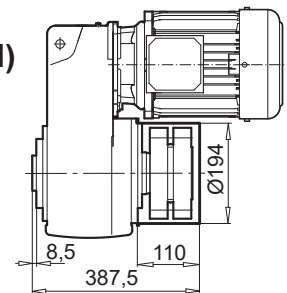
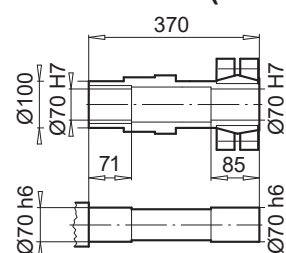
SK 6382EA



SK 6382AB (AFB)



SK 6382ASH (AFSH)



	90T1 / 90T3	100T2 / 100T5
g	183	201
g1 / g1Bre	147 / 147	169 / 173
k / kBre	676 / 751	706 / 797
k1 / k1Bre	536 / 611	566 / 657
k2 / k2Bre	576 / 651	606 / 697
o / oBre	276 / 351	306 / 397
m / mBre	26 / 30	32 / 36
n / nBre	114 / 153	114 / 153
p / pBre	114 / 108	114 / 108

NORD DRIVESYSTEMS® Group

Headquarters and Technology center
in Bargteheide, Germany, close to Hamburg

Innovative drive solutions
for more than 100 branches of industry

Mechanical products
parallell shaft, helical gear, bevel gear and worm gear units

Electrical products
IE2/IE3/IE4 motors

Electronic products
centralised and decentralised frequency inverters,
motor starters and field distribution systems

Seven state-of-the-art production plants
for all drive components

Subsidiaries and distributors
in 98 countries on 5 continents
provide local stocks, assembly, production,
technical support and customer service

More than 4.000 employees throughout the world
create customer oriented solutions

www.nord.com/locator

Headquarters:

Getriebebau NORD GmbH & Co. KG
Getriebebau-Nord-Straße 1
22941 Bargteheide, Germany
T +49 (0) 4532 / 289-0
F +49 (0) 4532 / 289-2253
info@nord.com, www.nord.com

Member of the NORD DRIVESYSTEMS Group

