

## SK TIE4-HANQ5-K-LE-MX

Terminal Extension Power Input

Part number: 275 274 111



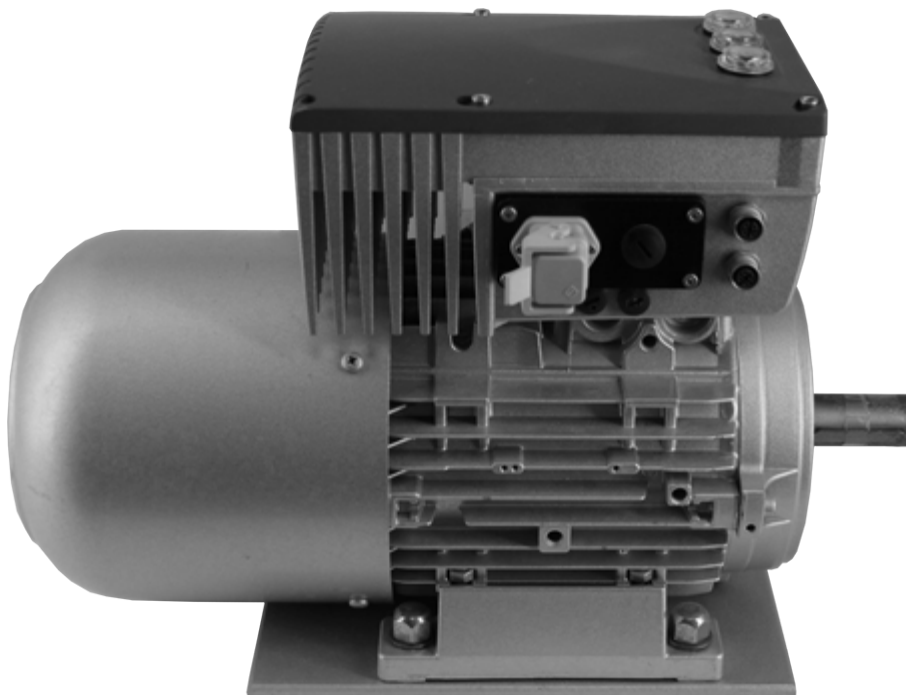
### Scope of supply

1 x	Adapter plate with gasket
1 x	Mounting enclosure HAN 3A with plastic cap
1 x	Pin insert (M) HAN Q5/0
1 x	Cable set HANQ5-LE
1 x	Blind plug
4 x	Cylinder head screw M4x12 with contact washer



### Application

Connection extension with a plug-in mains connection (power input), directly mounted on the frequency inverter (or motor adapter) or motor terminal box with power connector, type HAN Q5. Three power pins (+PE) and one additional M16 threaded hole are available.



<b>Technical Information / Datasheet</b>	<b>SK TIE4-HANQ5-K-LE-MX</b>			
Connection extension	TI 275274111	V 1.0	0217	EN

### Technical Data

Plug type	HAN Q5 (Male)
Contact quantity	5 +PE
Conductor cross-section	0.5 ... 2.5 mm <sup>2</sup>
Rated current	16 A
Rated voltage	400 V
Contact insert	Pin insert (M)
Format	Plug 90° offset
Protection degree	IP65

### Connection

HAN Q5 PIN	Potential	SK 135E ... 175E Terminal	SK 180E ... 190E Terminal	SK 2xxE Terminal
1	L1		L1	
2	L2		L2	
3	L3		L3	
PE	PE		PE	

### Optional Accessories (not included in scope of supply)

HAN Q5 (Female) – (Mating socket for the used plug)

Quantity	Identification	Manufacturer	Information
1 x	Connector housing HAN-A	Harting	e.g. Harting order number: 19 20 003 1440
1 x	HAN Q5/0-F-QL Quick-Lock	Harting	Harting order number: 09 12 005 2733
1 x	HAN 3A fixing screw	Harting	Harting order number: 09 20 000 9918
1 x	Cable gland type SKINDICHT SKZ-M M20 x 1.5, 13-15 mm	LAPP Cable	52106830

### Additional documentation and software ([www.nord.com](http://www.nord.com))

Document	Designation
<a href="#">BU 0135</a>	Manual for Motor Starters SK 135E, SK 175E
<a href="#">BU 0180</a>	Frequency Inverter Manual for SK 180E, SK 190E
<a href="#">BU 0200</a>	Manual for Frequency Inverters SK 2xxE