

NEMA & IEC adapters

Dimensional supplement



Motor adapters

NORD provides both NEMA and IEC adapters with various options and designs. Consult NORD for exact adapter being provided. These adapters allow for the attachment of NEMA and IEC flanged motors.

Automatic lubricator

Some double-reduction gearboxes sizes SK62, SK6282 and larger and triple reduction gearboxes SK73, SK6382, SK9072.1 and larger with NEMA C-face or IEC adapters larger than 250TC/IEC160 are provided with an automatic lubricator. Automatic lubricators contain 120 cm³ (4 oz) of grease that is released over time to the outboard adapter bearing. With 8 hours/day operation the lubricator will last 12 months. The automatic lubricator is designed for ambient temperatures between 32°F (0°C) and 104°F (40°C). If the ambient temperature differs from the specified standard value for longer periods of time, special lubricators should be used. Please enquire.

Installation position M2 or M4

The automatic lubrication canister is not recommended for applications where the motor is installed vertically. For alternate solutions, please consult NORD with “the application details.”

The smaller gear units with NEMA / IEC adapters up to size SK 52 and SK 5282 (for two-stage gear units) and up to size SK 63, SK 6382 and SK 9052.1 (for three-stage gear units) have bearings that are sealed and lubricated for their service life. These are maintenance-free. There are also “A” versions of the NEMA / IEC adapters that have bearings that are sealed and lubricated for their service life. These are also available with re-lubrication and auto lubricators as options.

The NEMA / IEC adapter coupling may not be fail-safe. With hoists, lifts and other applications where there is a danger of personal injury, special measures are required. Please enquire.

We recommend direct mounting of the motor

In contrast to the directly mounted motors, the NEMA / IEC adapter has an additional shaft coupling and additional bearing seats. This results in higher no-load losses in comparison with directly mounted motors. We recommend direct mounting of the motor, as this not only provides technical advantages, but also offers price advantages.

Maximum permitted motor weights

IEC - Motor	63	71	80	90	100	112	132	160	180	200	225	250	280	315
Max. [kg]	25	30	50 ¹⁾	50	80 ²⁾	80	100	250 ³⁾	250	350	500	1000	1000	1500

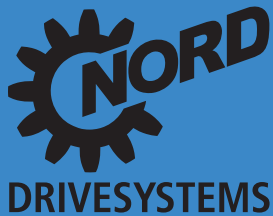
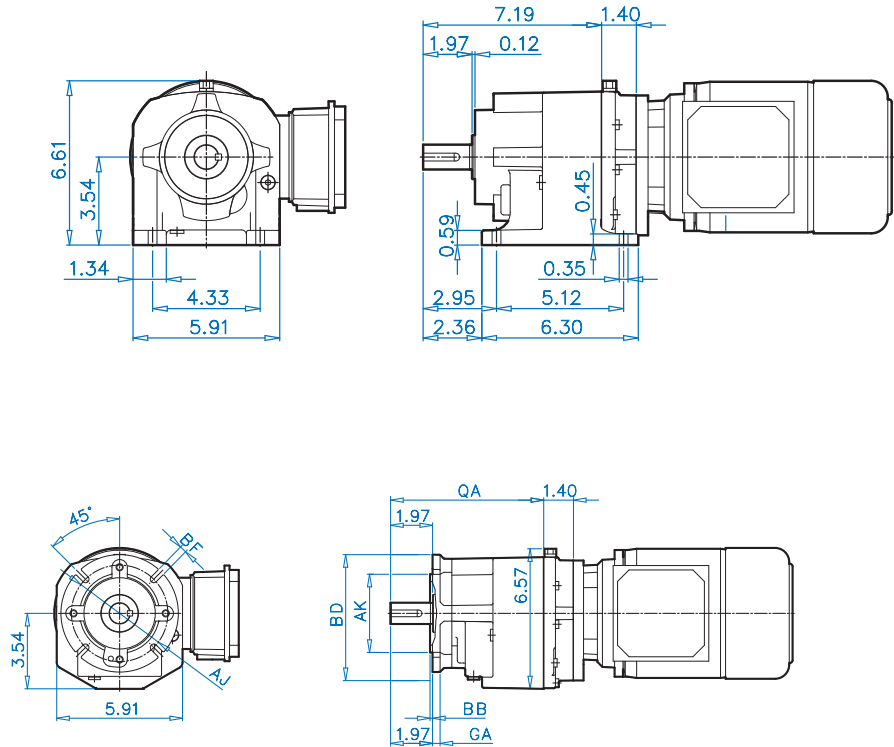
NEMA - Motor	56C	140TC	180TC	210TC	250TC	280TC	320TC	360TC	400TC
Max. [lb]	66	110	176	221	441	551	772	1544 ⁴⁾	1544

- 1) ≤ 40 kg SK 920072.1, SK 92072.1, SK 071.1, SK 0182.1
- 2) ≤ 60 kg SK 1382.1, SK 92372.1, SK 12063, SK 372.1, SK 371.1
- 3) ≤ 200 kg SK 42, SK 4282, SK 9042.1, SK 42125
- 4) ≤ 1103 lb SK 62, SK 72, SK 73, SK 83, SK 93, SK 9072.1, SK 6282, SK 7282, SK 7382, SK 8382, SK 9392

NORDBLOC.1® Helical Gear Motor Adapters

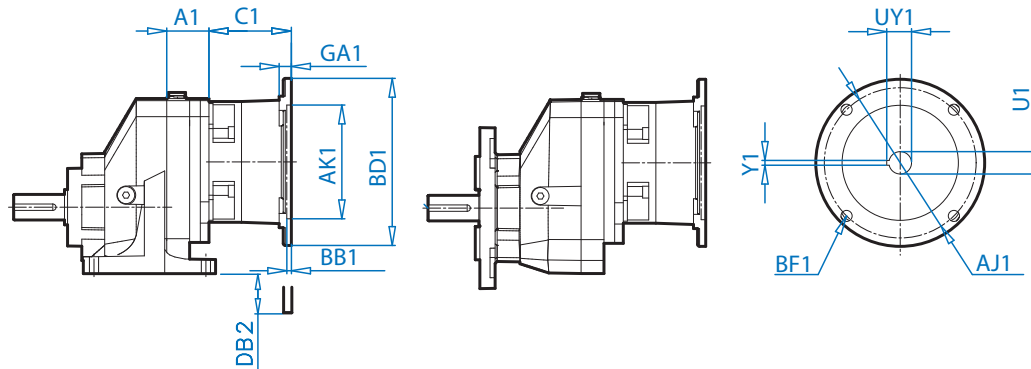
Dimensions

- NEMA Adapters
- IEC Adapters



Dimensions are for reference only. Visit www.mynord.com for dimension drawings and 3D models.

www.nord.com



SK 071.1 NEMA Dimensions

Type	AJ1	AK1	BB1	BD1	BF1	GA1	U1	UY1	Y1	C1	A1	DB2
N56C	5.875	4.500	0.18	6.54	0.43	0.47	0.625	0.709	0.188	4.00	0.85	0.06
N56CK	5.875	4.500	0.18	6.54	0.43	0.47	0.625	0.709	0.188	1.46	2.66	0.06
N140TC	5.875	4.500	0.18	6.54	0.43	0.47	0.875	0.964	0.188	7.13	0.85	0.06
N140TCK	5.875	4.500	0.18	6.54	0.43	0.47	0.875	0.964	0.188	1.93	2.66	0.06

SK 171.1 NEMA Dimensions

Type	AJ1	AK1	BB1	BD1	BF1	GA1	U1	UY1	Y1	C1	A1	DB2
N56C	5.875	4.500	0.18	6.54	0.43	0.47	0.625	0.709	0.188	4.00	1.28	0.06
N56CK	5.875	4.500	0.18	6.54	0.43	0.47	0.625	0.709	0.188	1.48	3.06	0.06
N140TC	5.875	4.500	0.18	6.54	0.43	0.47	0.875	0.964	0.188	4.47	1.28	0.06
N140TCK	5.875	4.500	0.18	6.54	0.43	0.47	0.875	0.964	0.188	1.93	3.03	0.06

SK 371.1 NEMA Dimensions

Type	AJ1	AK1	BB1	BD1	BF1	GA1	U1	UY1	Y1	C1	A1	DB2
N56C	5.875	4.500	0.18	6.54	0.43	0.47	0.625	0.709	0.188	3.68	1.28	-
N56CK	5.875	4.500	0.18	6.54	0.43	0.47	0.625	0.709	0.188	3.68	1.28	-
N140TC	5.875	4.500	0.18	6.54	0.43	0.47	0.875	0.964	0.188	4.13	1.30	-
N140TCK	5.875	4.500	0.18	6.54	0.43	0.47	0.875	0.964	0.188	4.15	1.28	-
N180TC	7.250	8.500	0.23	9.17	0.55	0.71	1.125	1.241	0.250	5.84	1.28	0.22
N180TCK	7.250	8.500	0.23	9.17	0.55	0.71	1.125	1.241	0.250	4.38	1.28	0.22

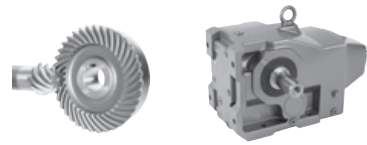
SK 571.1 NEMA Dimensions

Type	AJ1	AK1	BB1	BD1	BF1	GA1	U1	UY1	Y1	C1	A1	DB2
N56C	5.875	4.500	0.18	6.54	0.43	0.47	0.625	0.709	0.188	3.68	1.34	-
N56CK	5.875	4.500	0.18	6.54	0.43	0.47	0.625	0.709	0.188	3.68	1.34	-
N140TC	5.875	4.500	0.18	6.54	0.43	0.47	0.875	0.964	0.188	4.15	1.34	-
N140TCK	5.875	4.500	0.18	6.54	0.43	0.47	0.875	0.964	0.188	4.15	1.34	-
N180TC	7.250	8.500	0.23	9.17	0.55	0.71	1.125	1.241	0.250	5.84	1.34	-
N180TCK	7.250	8.500	0.23	9.17	0.55	0.71	1.125	1.241	0.250	4.38	1.34	-
N210TCK	7.250	8.500	0.23	9.17	0.59	0.98	1.375	1.518	0.312	4.96	1.57	-

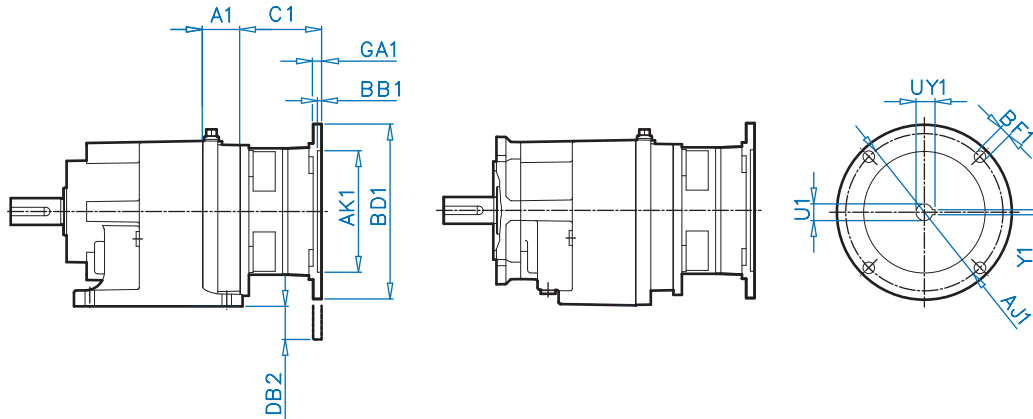
SK 771.1 NEMA Dimensions

Type	AJ1	AK1	BB1	BD1	BF1	GA1	U1	UY1	Y1	C1	A1	DB2
N56C	5.875	4.500	0.18	6.54	0.43	0.47	0.625	0.709	0.188	3.68	1.56	-
N56CK	5.875	4.500	0.18	6.54	0.43	0.47	0.625	0.709	0.188	3.68	1.56	-
N140TC	5.875	4.500	0.18	6.54	0.43	0.47	0.875	0.964	0.188	4.15	1.56	-
N140TCK	5.875	4.500	0.18	6.54	0.43	0.47	0.875	0.964	0.188	4.15	1.56	-
N180TC	7.250	8.500	0.23	9.17	0.55	0.71	1.125	1.241	0.250	5.84	1.56	-
N180TCK	7.250	8.500	0.23	9.17	0.55	0.71	1.125	1.241	0.250	4.38	1.56	-
N210TCK	7.250	8.500	0.23	9.17	0.59	0.98	1.375	1.518	0.312	4.96	1.79	-

NORDBLOC.1® NEMA Dimensions



Dimensions



SK 072.1 NEMA Dimensions

Type	AJ1	AK1	BB1	BD1	BF1	GA1	U1	UY1	Y1	C1	A1	DB2
N48CK	3.750	3.000	0.18	6.54	0.28	0.39	0.500	0.560	0.125	1.50	1.95	-
N56CK	5.875	4.500	0.18	6.54	0.43	0.47	0.625	0.709	0.188	1.89	1.95	-

SK 172.1 NEMA Dimensions

Type	AJ1	AK1	BB1	BD1	BF1	GA1	U1	UY1	Y1	C1	A1	DB2
N56C	5.875	4.500	0.18	6.54	0.43	0.47	0.625	0.709	0.188	4.02	0.69	-
N56CK	5.875	4.500	0.18	6.54	0.43	0.47	0.625	0.709	0.188	1.48	2.36	-
N140TC	5.875	4.500	0.18	6.54	0.43	0.47	0.875	0.964	0.188	4.49	0.69	-
N140TCK	5.875	4.500	0.18	6.54	0.43	0.47	0.875	0.964	0.188	1.95	2.36	-

SK 372.1 / 373.1 NEMA Dimensions

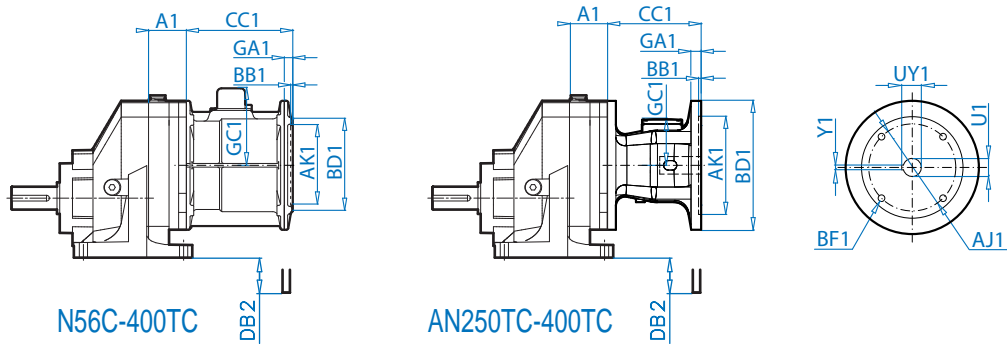
Type	AJ1	AK1	BB1	BD1	BF1	GA1	U1	UY1	Y1	C1	A1	DB2
N56C	5.875	4.500	0.18	6.54	0.43	0.47	0.625	0.709	0.188	3.68	1.40	-
N56CK	5.875	4.500	0.18	6.54	0.43	0.47	0.625	0.709	0.188	3.68	1.40	-
N140TC	5.875	4.500	0.18	6.54	0.43	0.47	0.875	0.964	0.188	4.15	1.40	-
N140TCK	5.875	4.500	0.18	6.54	0.43	0.47	0.875	0.964	0.188	4.15	1.40	-
N180TC	7.250	8.500	0.23	9.17	0.55	0.71	1.125	1.241	0.250	5.84	1.40	1.05
N180TCK	7.250	8.500	0.23	9.17	0.55	0.71	1.125	1.241	0.250	4.38	1.40	1.05

SK 572.1 / 573.1 NEMA Dimensions

Type	AJ1	AK1	BB1	BD1	BF1	GA1	U1	UY1	Y1	C1	A1	DB2
N56C	5.875	4.500	0.18	6.54	0.43	0.47	0.625	0.709	0.188	3.68	0.94	-
N56CK	5.875	4.500	0.18	6.54	0.43	0.47	0.625	0.709	0.188	3.68	0.94	-
N140TC	5.875	4.500	0.18	6.54	0.43	0.47	0.875	0.964	0.188	4.15	0.94	-
N140TCK	5.875	4.500	0.18	6.54	0.43	0.47	0.875	0.964	0.188	4.15	0.94	-
N180TC	7.250	8.500	0.23	9.17	0.55	0.71	1.125	1.241	0.250	5.84	0.94	0.06
N180TCK	7.250	8.500	0.23	9.17	0.55	0.71	1.125	1.241	0.250	4.38	0.94	0.06

SK 672.1 / 673.1 NEMA Dimensions

Type	AJ1	AK1	BB1	BD1	BF1	GA1	U1	UY1	Y1	C1	A1	DB2
N56C	5.875	4.500	0.18	6.54	0.43	0.47	0.625	0.709	0.188	3.68	0.93	-
N56CK	5.875	4.500	0.18	6.54	0.43	0.47	0.625	0.709	0.188	3.68	0.93	-
N140TC	5.875	4.500	0.18	6.54	0.43	0.47	0.875	0.964	0.188	4.15	0.93	-
N140TCK	5.875	4.500	0.18	6.54	0.43	0.47	0.875	0.964	0.188	4.15	0.93	-
N180TC	7.250	8.500	0.23	9.17	0.55	0.71	1.125	1.241	0.250	5.84	0.93	-
N180TCK	7.250	8.500	0.23	9.17	0.55	0.71	1.125	1.241	0.250	4.38	0.93	-
N210TCK	7.250	8.500	0.23	9.17	0.59	0.98	1.375	1.518	0.312	4.96	1.20	-



SK 772.1 / 773.1 NEMA Dimensions

Type	AJ1	AK1	BB1	BD1	BF1	GA1	U1	UY1	Y1	C1
N56C	5.875	4.500	0.18	6.54	0.43	0.47	0.625	0.709	0.188	4.61
N140TC	5.875	4.500	0.18	6.54	0.43	0.47	0.875	0.964	0.188	4.61
N180TC	7.250	8.500	0.23	9.17	0.59	0.71	1.125	1.241	0.250	5.52
N210TC	7.250	8.500	0.23	9.17	0.59	0.98	1.375	1.518	0.312	6.65

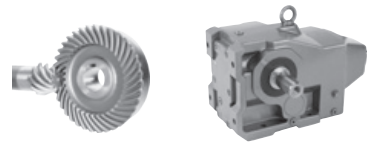
SK 872.1 / 873.1 NEMA Dimensions

Type	AJ1	AK1	BB1	BD1	BF1	GA1	U1	UY1	Y1	C1
N56C	5.875	4.500	0.18	6.54	0.43	0.47	0.625	0.709	0.188	4.34
N140TC	5.875	4.500	0.18	6.54	0.43	0.47	0.875	0.964	0.188	4.34
N180TC	7.250	8.500	0.23	9.17	0.59	0.71	1.125	1.241	0.250	5.64
N210TC	7.250	8.500	0.23	9.17	0.59	0.98	1.375	1.518	0.312	7.93
N250TC	7.250	8.500	0.23	9.17	0.59	0.98	1.625	1.800	0.375	7.93
AN250TC	7.250	8.500	0.23	9.17	0.59	0.98	1.625	1.800	0.375	9.29

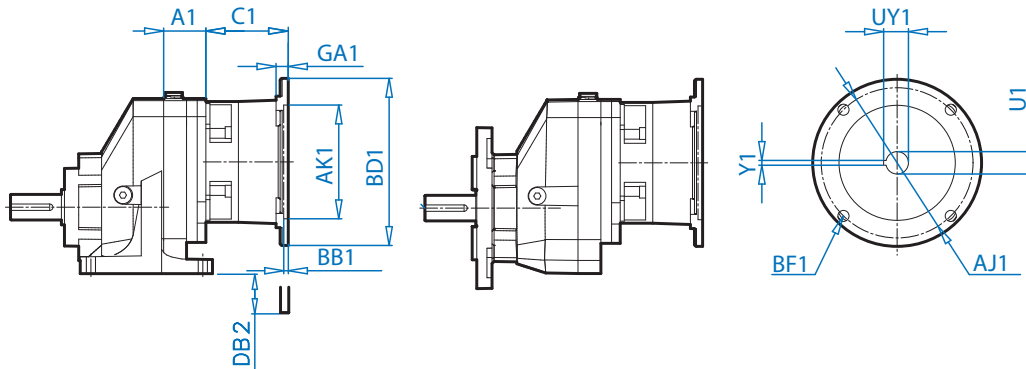
SK 972.1 / 973.1 NEMA Dimensions

Type	AJ1	AK1	BB1	BD1	BF1	GA1	U1	UY1	Y1	C1
N56C	5.875	4.500	0.18	6.54	0.43	0.47	0.625	0.709	0.188	4.34
N140TC	5.875	4.500	0.18	6.54	0.43	0.47	0.875	0.964	0.188	4.34
N180TC	7.250	8.500	0.23	9.17	0.59	0.71	1.125	1.241	0.250	5.64
N210TC	7.250	8.500	0.23	9.17	0.59	0.98	1.375	1.518	0.312	7.93
N250TC	7.250	8.500	0.23	9.17	0.59	0.98	1.625	1.800	0.375	7.93
AN250TC	7.250	8.500	0.23	9.17	0.59	0.98	1.625	1.800	0.375	9.29
N280TC	9.000	10.500	0.23	13.78	0.55	0.79	1.875	2.100	0.500	8.44
AN280TC	9.000	10.500	0.23	13.78	0.55	0.79	1.875	2.100	0.500	9.95

NORDBLOC.1[®] NEMA Dimensions



Dimensions



SK 571.1 NEMA Dimensions

Type	AJ1	AK1	BB1	BD1	BF1	CC	GA	U1	UY1	Y1
N210TC	7.250	8.500	0.23	9.17	0.59	4.96	0.71	1.375	1.518	0.313

SK 771.1 NEMA Dimensions

Type	AJ1	AK1	BB1	BD1	BF1	CC	GA	U1	UY1	Y1
N210TC	7.250	8.500	0.23	9.17	0.59	4.96	0.71	1.375	1.518	0.313

SK 871.1 NEMA Dimensions

Type	AJ1	AK1	BB1	BD1	BF1	CC	GA	U1	UY1	Y1
N56C	5.875	4.500	0.18	6.54	0.43	4.33	0.63	0.625	0.709	0.188
N140TC	5.875	4.500	0.18	6.54	0.43	4.33	0.63	0.875	0.964	0.188
N180TC	7.250	8.500	0.23	9.17	0.59	5.63	0.98	1.125	1.241	0.250
N210TC	7.250	8.500	0.23	9.17	0.59	7.91	0.98	1.375	1.518	0.313
N250TC	7.250	8.500	0.23	9.17	0.59	7.91	0.98	1.625	1.796	0.375
AN250TC	7.250	8.500	0.23	9.25	0.53	9.28	1.04	1.625	1.796	0.375

SK 971.1 NEMA Dimensions

Type	AJ1	AK1	BB1	BD1	BF1	CC	GA	U1	UY1	Y1
N56C	5.875	4.500	0.18	6.54	0.43	4.33	0.63	0.625	0.709	0.188
N140TC	5.875	4.500	0.18	6.54	0.43	4.33	0.63	0.875	0.964	0.188
N180TC	7.250	8.500	0.23	9.17	0.59	5.63	0.98	1.125	1.241	0.250
N210TC	7.250	8.500	0.23	9.17	0.59	7.91	0.98	1.375	1.518	0.313
N250TC	7.250	8.500	0.23	9.17	0.59	7.91	0.98	1.625	1.796	0.375
AN250TC	7.250	8.500	0.23	9.25	0.53	9.28	1.04	1.625	1.796	0.375
N280TC	9.000	10.500	0.23	13.78	0.59	7.40	0.60	1.875	2.096	0.500
AN280TC	9.000	10.500	0.23	13.78	0.59	9.96	1.06	1.875	2.096	0.500

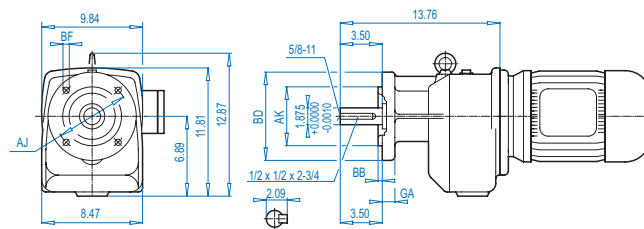
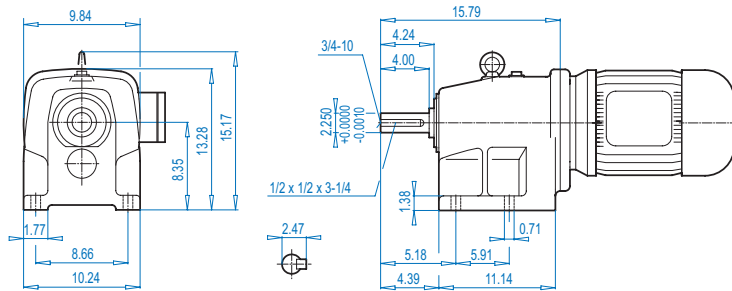
SK 1071.1 NEMA Dimensions

Type	AJ1	AK1	BB1	BD1	BF1	CC	GA	U1	UY1	Y1
N180TC	7.250	8.500	0.23	9.17	0.59	7.52	0.98	1.125	1.241	0.250
N210TC	7.250	8.500	0.23	9.17	0.59	7.52	0.98	1.375	1.518	0.313
N250TC	7.250	8.500	0.23	9.17	0.59	7.91	0.98	1.625	1.796	0.375
AN250TC	7.250	8.500	0.23	9.25	0.53	9.28	1.04	1.625	1.796	0.375
N280TC	9.000	10.500	0.23	13.78	0.59	11.38	0.60	1.875	2.096	0.500
AN280TC	9.000	10.500	0.23	13.78	0.59	9.96	1.06	1.875	2.096	0.500

Unicase Helical Inline Motor Adapters

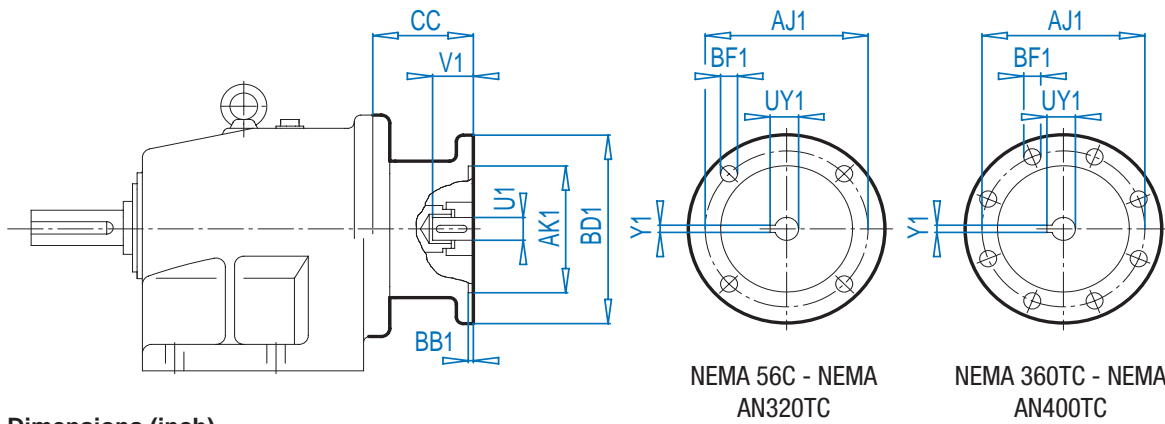
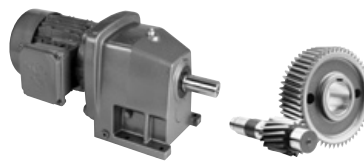
Dimensions

- NEMA Adapters
- IEC Adapters



Dimensions are for reference only. Visit www.mynord.com for dimension drawings and 3D models.

www.nord.com

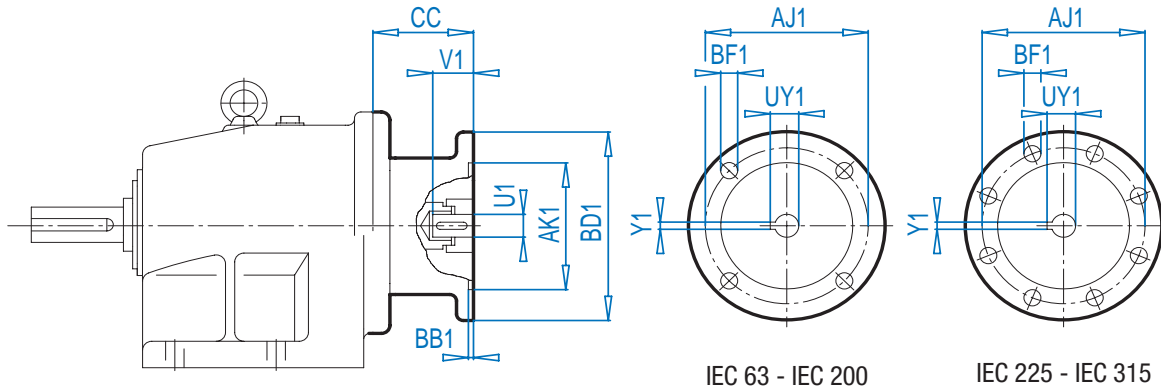
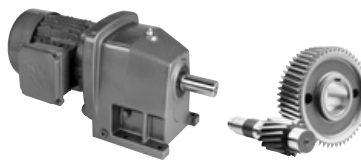


NEMA Dimensions (inch)

Input	AJ1	AK1	BB1	BD1	BF1	U1	V1	UY1	Y1
N56C	5.88	4.500	0.18	6.54	0.43	0.625	2.06	0.71	0.188
N140TC	5.88	4.500	0.18	6.54	0.43	0.875	2.12	0.96	0.188
N180TC	7.25	8.500	0.23	9.17	0.59	1.125	2.62	1.25	0.250
N210TC	7.25	8.500	0.23	9.17	0.59	1.375	3.12	1.52	0.312
N250TC	7.25	8.500	0.23	9.17	0.59	1.625	3.75	1.80	0.375
AN250TC	7.25	8.500	0.23	9.25	0.59	1.625	3.75	1.80	0.375
N280TC	9.00	10.500	0.23	13.78	0.59	1.875	4.38	2.03	0.500
AN280TC	9.00	10.500	0.23	13.78	0.59	1.875	4.38	2.03	0.500
N320TC	11.00	12.500	0.23	15.75	0.71	2.125	5.00	2.35	0.500
AN320TC	11.00	12.500	0.23	15.75	0.71	2.125	5.00	2.35	0.500
N360TC	11.00	12.500	0.23	17.72	0.71	2.375	5.62	2.65	0.625
AN360TC	11.00	12.500	0.23	17.72	0.71	2.375	5.62	2.65	0.625
N400TC	11.00	12.500	0.16	21.65	0.71	2.875	7.00	3.21	0.750
AN400TC	11.00	12.500	0.16	21.65	0.71	2.875	7.00	3.21	0.750

CC Dimension (inch max.)

Unit	N56C	N140TC	N180TC	N210TC	N250TC	AN250TC	N280TC	AN280TC	N320TC	AN320TC	N360TC	AN360TC	N400TC	AN400TC
SK 02	4.45	4.45	-	-	-	-	-	-	-	-	-	-	-	-
SK 03	4.45	4.45	-	-	-	-	-	-	-	-	-	-	-	-
SK 12	4.45	4.45	5.65	-	-	-	-	-	-	-	-	-	-	-
SK 13	4.45	-	-	-	-	-	-	-	-	-	-	-	-	-
SK 22	4.61	4.62	5.51	-	-	-	-	-	-	-	-	-	-	-
SK 23	4.45	4.45	-	-	-	-	-	-	-	-	-	-	-	-
SK 32	4.61	4.61	5.51	6.65	-	-	-	-	-	-	-	-	-	-
SK 33N	4.45	4.45	-	-	-	-	-	-	-	-	-	-	-	-
SK 42	4.33	4.33	7.91	7.91	7.91	9.56	-	-	-	-	-	-	-	-
SK 43	4.61	4.61	6.65	-	-	-	-	-	-	-	-	-	-	-
SK 52	4.33	4.33	7.91	7.91	7.91	9.56	8.54	9.95	-	-	-	-	-	-
SK 53	4.61	4.61	6.65	-	-	-	-	-	-	-	-	-	-	-
SK 62	-	-	7.52	7.52	11.38	9.56	11.38	9.95	10.35	10.11	13.27	12.13	-	-
SK 63	4.33	4.33	7.91	7.91	7.91	9.56	8.54	9.95	-	-	-	-	-	-
SK 72	-	-	7.52	7.52	11.38	9.56	11.38	9.95	10.35	10.11	13.27	12.13	-	-
SK 73	-	-	7.52	7.52	11.38	9.56	11.38	9.95	10.35	10.11	13.27	12.13	-	-
SK 82	-	-	7.52	7.52	11.38	9.56	11.38	9.95	10.35	10.11	13.27	14.67	-	-
SK 83	-	-	7.52	7.52	11.38	9.56	11.38	9.95	10.35	10.11	13.27	14.67	-	-
SK 92	-	-	7.52	7.52	11.38	9.56	11.38	9.95	10.35	10.11	13.27	14.67	-	-
SK 93	-	-	7.52	7.52	11.38	9.56	11.38	9.95	10.35	10.11	13.27	14.67	-	-
SK 102	-	-	-	-	-	-	-	-	-	-	13.29	14.67	13.29	15.22
SK 103	-	-	7.52	7.52	11.38	9.56	11.38	9.95	10.35	10.11	13.29	14.67	-	-



Unicase helical gear units

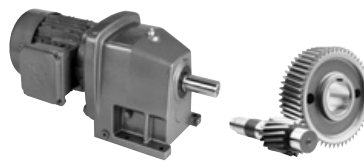
IEC Dimensions (mm)

Input	AJ1	AK1	BB1	BD1	BF1	U1	V1	UY1	Y1
IEC63	115	95	3.5	140	M8	11	23	12.8	4
IEC71	130	110	4.0	160	M8	14	30	16.3	5
IEC80	165	130	4.0	200	M10	19	40	21.8	6
IEC90	165	130	4.0	200	M10	24	50	27.3	8
IEC100	215	180	5.0	250	M12	28	60	31.3	8
IEC112	215	180	5.0	250	M12	28	60	31.3	8
IEC132	265	230	5.0	300	M12	38	80	41.3	10
IEC160	300	250	6.0	350	M16	42	110	45.3	12
AI160	300	250	6.0	350	M16	42	110	45.3	12
IEC180	300	250	6.0	350	M16	48	110	51.8	14
AI180	300	250	6.0	350	M16	48	110	51.8	14
IEC200	350	300	6.0	400	M16	55	110	59.3	16
AI200	350	300	6.0	400	M16	55	110	59.3	16
IEC225	400	350	6.0	450	M16	60	140	64.4	18
AI225	400	350	6.0	450	M16	60	140	64.4	18
IEC250	500	450	6.0	550	M16	65	140	69.4	18
AI250	500	450	6.0	550	M16	65	140	69.4	18
IEC280	500	450	6.0	550	M16	75	140	79.9	20
AI280	500	450	6.0	550	M16	75	140	79.9	20
IEC315	600	550	7.0	660	M20	80	170	85.4	22
AI315	600	550	7.0	660	M20	80	170	85.4	22

CC Dimension (mm)

Unit	IEC63	IEC71	IEC80	IEC90	IEC100	IEC112	IEC132	IEC160	AI160	IEC180	AI180	IEC200	AI200	IEC225	AI225
SK 02	85	89	105	105	130	130	-	-	-	-	-	-	-	-	-
SK 03	85	89	105	105	130	130	-	-	-	-	-	-	-	-	-
SK 12	85	89	105	105	130	130	-	-	-	-	-	-	-	-	-
SK 13	85	89	105	105	130	130	-	-	-	-	-	-	-	-	-
SK 22	-	88	107	107	124	124	194	-	-	-	-	-	-	-	-
SK 23	85	89	105	105	130	130	-	-	-	-	-	-	-	-	-
SK 32	-	88	107	107	124	124	194	-	-	-	-	-	-	-	-
SK 33N	85	89	105	105	130	130	-	-	-	-	-	-	-	-	-
SK 42	-	-	-	109	133	133	190	194	247	194	247	-	-	-	-
SK 43	-	88	107	107	124	124	194	-	-	-	-	-	-	-	-
SK 52	-	-	-	109	133	133	190	194	247	194	247	-	-	-	-
SK 53	-	88	107	107	124	124	194	-	-	-	-	-	-	-	-
SK 62	-	-	-	-	127	127	177	266	247	266	247	229	251	303	303
SK 63	-	-	-	109	133	133	190	194	247	194	247	-	-	-	-

IEC Inputs



Unicase
helical gear units

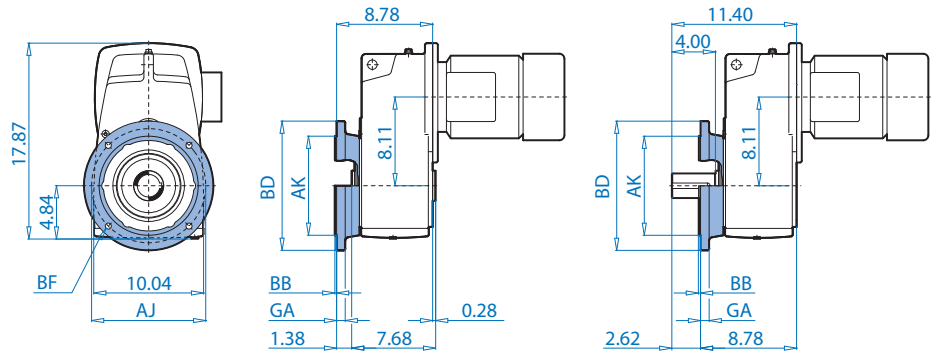
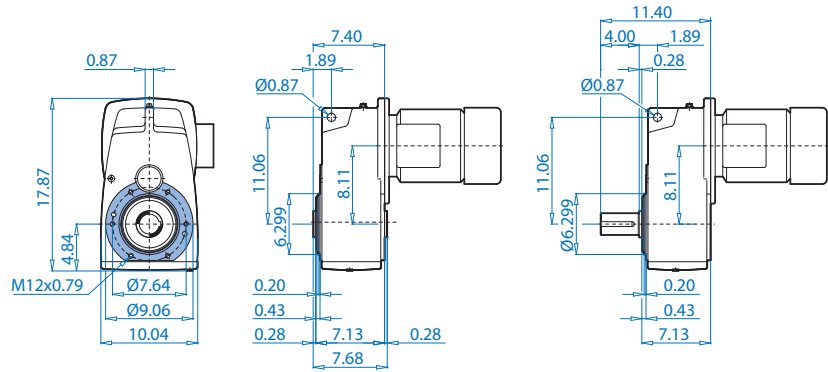
CC Dimension (mm)

Unit	IEC100	IEC112	IEC132	IEC160	AI160	IEC180	AI180	IEC200	AI200	IEC225	AI225	IEC250	AI250	IEC280	AI280	IEC315	AI315
SK 72	127	127	177	266	247	266	247	229	251	303	303	303.5	338.5	303.5	338.5	-	-
SK 73	127	127	177	266	247	266	247	229	251	303	303	303.5	338.5	303.5	338.5	-	-
SK 82	-	-	177	266	247	266	247	229	251	303	303	303.5	338.5	304	338.5	381.5	400
SK 83	127	127	177	266	247	266	247	229	251	303	303	303.5	338.5	303.5	338.5	-	-
SK 92	-	-	177	266	247	266	247	229	251	303	303	303.5	338.5	304	338.5	381.5	400
SK 93	127	127	177	266	247	266	247	229	251	303	303	303.5	338.5	303.5	338.5	-	-
SK 102	-	-	177	266	247	266	247	229	251	303	303	303.5	338.5	304	338.5	381.5	400
SK 103	-	-	177	266	247	266	247	229	251	303	303	303.5	338.5	304	338.5	381.5	400

CLINCHER™ Parallel Motor Adapters

Dimensions

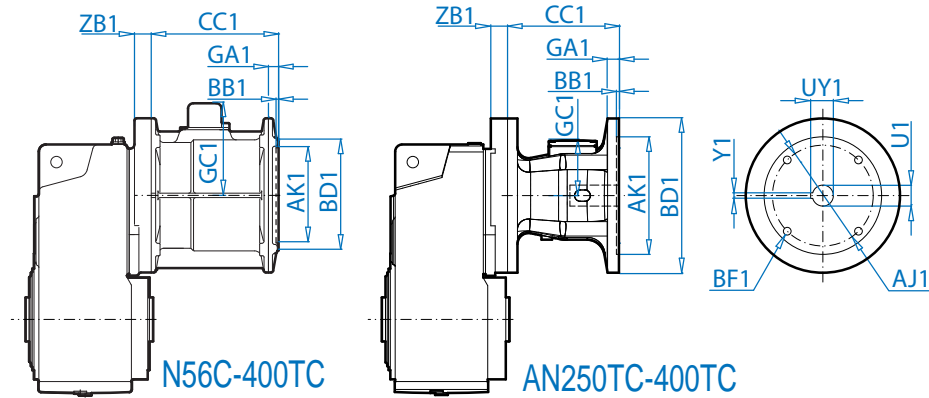
- NEMA Adapters
- IEC Adapters



Dimensions are for reference only. Visit www.mynord.com for dimension drawings and 3D models.

www.nord.com

NEMA Inputs



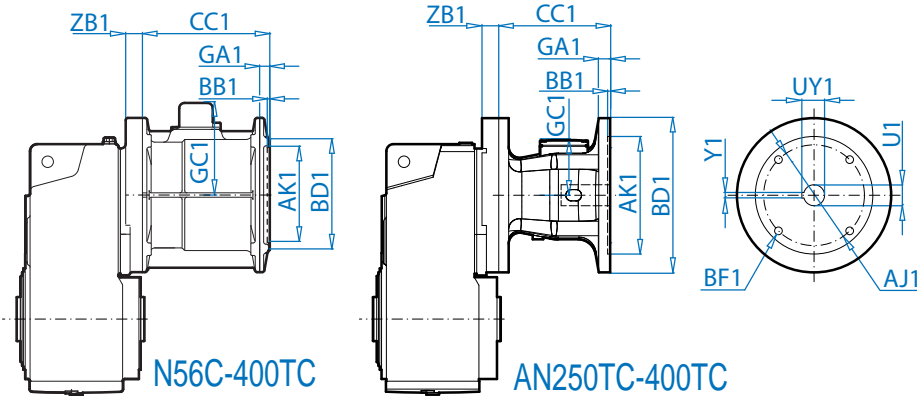
NEMA Dimensions (inch)

SK 1282 thru 11382.1										
Input	AJ1	AK1	BB1	BD1	BF1	GA1	GC1	U1	UY1	Y1
N56C	5.875	4.500	0.18	6.54	0.43	0.47	-	0.625	0.709	0.188
N140TC	5.875	4.500	0.18	6.54	0.43	0.47	-	0.875	0.964	0.188
N180TC	7.250	8.500	0.23	9.17	0.59	0.71	-	1.125	1.241	0.250
N210TC	7.250	8.500	0.23	9.17	0.59	0.98	-	1.375	1.518	0.312
N250TC	7.250	8.500	0.23	13.78	0.59	0.98	8.23	1.625	1.796	0.375
AN250TC	7.250	8.500	0.23	13.78	0.59	0.98	4.41	1.625	1.796	0.375
N280TC	9.000	10.500	0.23	13.78	0.55	0.79	8.23	1.875	2.096	0.500
AN280TC	9.000	10.500	0.23	13.78	0.55	0.79	4.94	1.875	2.096	0.500
N320TC	11.000	12.500	0.23	15.75	0.71	1.18	8.43	2.125	2.350	0.500
AN320TC	11.000	12.500	0.23	15.75	0.71	1.18	5.93	2.125	2.350	0.500
A360TC	11.000	12.500	0.16	17.72	0.71	2.32	9.65	2.375	2.651	0.625
AN360TC	11.000	12.500	0.16	17.72	0.71	2.30	5.59	2.375	2.651	0.625
A400TC	11.000	12.500	0.16	21.65	0.71	2.87	11.65	2.875	3.205	0.750
AN400TC	11.000	12.500	0.16	21.65	0.71	2.85	7.78	2.875	3.205	0.750

NEMA Dimensions (inch)

Type		N56C	N140TC	N180TC	N210TC	N250TC	AN250TC	N280TC	AN280TC
1282	CC1	4.45	4.45	5.65	-	-	-	-	-
	ZB1	N/A	N/A	N/A	-	-	-	-	-
2282	CC1	4.61	4.61	6.65	6.65	-	-	-	-
	ZB1	N/A	N/A	N/A	N/A	-	-	-	-
2382	CC1	4.45	4.45	-	-	-	-	-	-
	ZB1	N/A	N/A	-	-	-	-	-	-
3282	CC1	4.61	4.61	6.65	6.65	-	-	-	-
	ZB1	N/A	N/A	N/A	N/A	-	-	-	-
3382	CC1	4.45	4.45	5.65	-	-	-	-	-
	ZB1	N/A	N/A	N/A	-	-	-	-	-
4282	CC1	4.33	4.33	7.91	7.91	7.91	9.28	-	-
	ZB1	N/A	N/A	N/A	N/A	N/A	N/A	-	-
4382	CC1	4.61	4.61	6.65	-	-	-	-	-
	ZB1	N/A	N/A	N/A	-	-	-	-	-
5282	CC1	4.33	4.33	7.91	7.91	7.91	9.28	8.54	9.95
	ZB1	N/A	N/A	N/A	N/A	N/A	N/A	N/A	N/A
5382	CC1	4.61	4.61	6.65	6.65	-	-	-	-
	ZB1	2.74	2.74	2.74	2.74	-	-	-	-

Dimensions



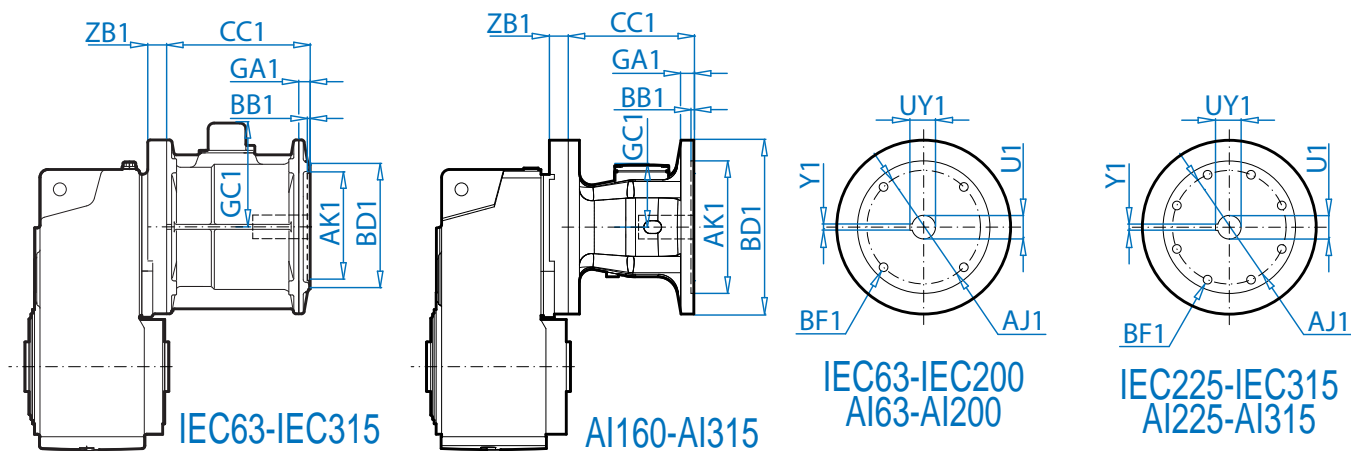
NEMA Dimensions (inch)

SK 1282 thru 11382.1										
Input	AJ1	AK1	BB1	BD1	BF1	GA1	GC1	U1	UY1	Y1
N56C	5.875	4.500	0.18	6.54	0.43	0.47	-	0.625	0.709	0.188
N140TC	5.875	4.500	0.18	6.54	0.43	0.47	-	0.875	0.964	0.188
N180TC	7.250	8.500	0.23	9.17	0.59	0.71	-	1.125	1.241	0.250
N210TC	7.250	8.500	0.23	9.17	0.59	0.98	-	1.375	1.518	0.312
N250TC	7.250	8.500	0.23	13.78	0.59	0.98	8.23	1.625	1.796	0.375
AN250TC	7.250	8.500	0.23	13.78	0.59	0.98	4.41	1.625	1.796	0.375
N280TC	9.000	10.500	0.23	13.78	0.55	0.79	8.23	1.875	2.096	0.500
AN280TC	9.000	10.500	0.23	13.78	0.55	0.79	4.94	1.875	2.096	0.500
N320TC	11.000	12.500	0.23	15.75	0.71	1.18	8.43	2.125	2.350	0.500
AN320TC	11.000	12.500	0.23	15.75	0.71	1.18	5.93	2.125	2.350	0.500
A360TC	11.000	12.500	0.16	17.72	0.71	2.32	9.65	2.375	2.651	0.625
AN360TC	11.000	12.500	0.16	17.72	0.71	2.30	5.59	2.375	2.651	0.625
A400TC	11.000	12.500	0.16	21.65	0.71	2.87	11.65	2.875	3.205	0.750
AN400TC	11.000	12.500	0.16	21.65	0.71	2.85	7.78	2.875	3.205	0.750

NEMA Dimensions (inch)

Type	N56C	N140TC	N180TC	N210TC	N250TC	AN250TC	N280TC	AN280TC	N320TC	AN320TC	N360TC	AN360TC	N400TC	AN400TC	
6282	CC1	-	-	7.52	7.52	11.38	9.56	11.38	9.95	10.35	10.11	13.27	-	-	-
	ZB1	-	-	1.97	1.97	1.97	1.97	1.97	1.97	1.97	1.97	1.97	-	-	-
6382	CC1	4.33	4.33	7.91	7.91	7.91	9.28	8.54	9.95	-	-	-	-	-	-
	ZB1	0.94	0.94	0.94	0.94	0.94	0.94	0.94	0.94	-	-	-	-	-	-
7282	CC1	-	-	7.52	7.52	11.38	9.28	11.38	9.95	10.35	10.11	13.27	-	-	-
	ZB1	-	-	1.69	1.69	1.69	1.69	1.69	1.69	1.69	1.69	1.69	1.69	-	-
7382	CC1	-	-	7.52	7.52	11.38	9.28	11.38	9.95	10.35	10.11	13.27	12.13	-	-
	ZB1	-	-	1.97	1.97	1.97	1.97	1.97	1.57	1.97	1.97	1.97	1.97	-	-
8282	CC1	-	-	7.52	7.52	11.38	9.28	11.38	9.95	10.35	10.11	13.29	14.67	13.84	15.22
	ZB1	-	-	1.57	1.57	1.57	1.57	1.57	1.57	1.57	1.57	2.17	2.17	2.17	2.17
8382	CC1	-	-	7.52	7.52	11.38	9.56	11.38	9.95	10.35	10.11	13.27	12.13	-	-
	ZB1	-	-	1.57	1.57	1.57	1.57	1.57	1.57	1.57	1.57	1.57	1.57	-	-
9282	CC1	-	-	7.52	7.52	11.38	9.28	11.38	9.95	10.35	10.11	13.29	13.33	13.84	15.22
	ZB1	-	-	1.26	1.26	1.26	1.26	1.26	1.26	1.26	1.26	1.85	1.85	1.85	1.85
9382	CC1	-	-	7.52	7.52	11.38	9.56	11.38	9.95	10.35	10.11	13.27	12.13	13.84	15.22
	ZB1	-	-	1.26	1.26	1.26	1.26	1.26	1.26	1.26	1.26	1.26	1.26	1.85	1.85
10382.1	CC1	-	-	-	7.52	11.38	9.56	11.38	9.95	10.35	10.11	13.27	13.33	13.84	15.22
	ZB1	-	-	-	1.14	1.14	1.14	1.14	1.14	1.14	1.14	1.71	1.71	1.71	1.71
11382.1	CC1	-	-	-	-	11.38	9.56	11.38	9.95	10.35	10.11	13.29	14.67	13.84	15.22
	ZB1	-	-	-	-	0.91	0.91	0.91	0.91	0.91	0.91	1.26	1.26	1.26	1.26

IEC Inputs



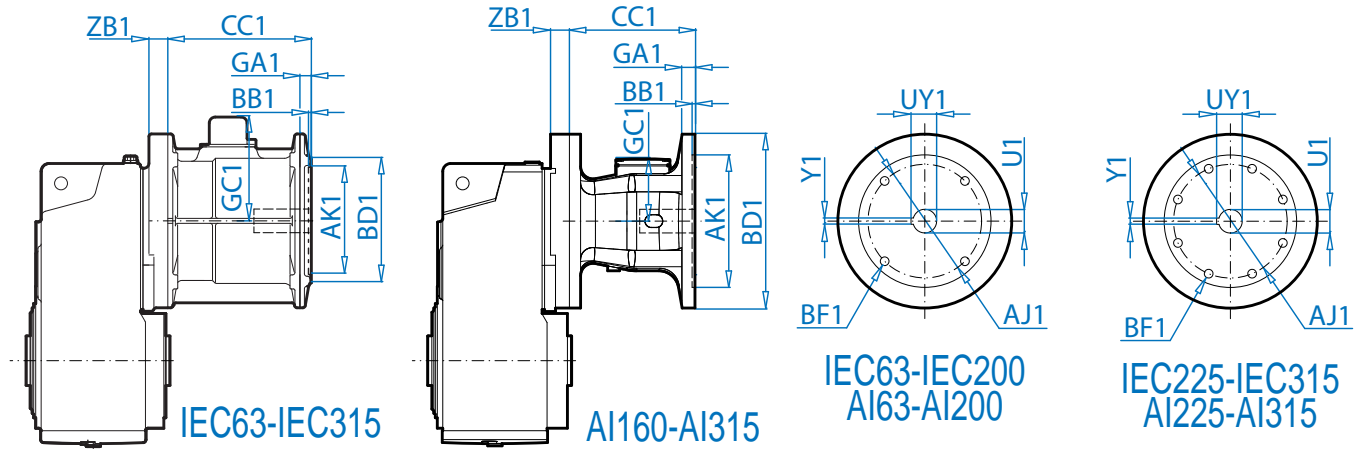
IEC Dimensions (mm)

Input	AJ1	AK1	BB1	BD1	BF1	U1	V1	UY1	Y1
IEC 63	115	95	3.5	140	M8	11	23	12.8	4
IEC 71	130	110	4.0	160	M8	14	30	16.3	5
IEC 80	165	130	4.0	200	M10	19	40	21.8	6
IEC 90	165	130	4.0	200	M10	24	50	27.3	8
IEC 100	215	180	5.0	250	M12	28	60	31.3	8
IEC 112	215	180	5.0	250	M12	28	60	31.3	8
IEC 132	265	230	5.0	300	M12	38	80	41.3	10
IEC 160	300	250	6.0	350	M16	42	110	45.3	12
IEC 180	300	250	6.0	350	M16	48	110	51.8	14
IEC 200	350	300	6.0	400	M16	55	110	59.3	16

Dimensions

IEC Dimensions (mm)

Unit		IEC63	IEC 71	IEC 80	IEC 90	IEC 100	IEC 112	IEC 132	IEC 160	AI160	IEC 180	AI180	IEC 200	AI200
SK 1282	CC1	84.5	88.5	106	106	125	125	-	-	-	-	-	-	-
	ZB1	N/A	N/A	N/A	N/A	N/A	N/A	-	-	-	-	-	-	-
SK 2282	CC1	-	88	108	108	125	125	156	-	-	-	-	-	-
	ZB1	N/A	N/A	N/A	N/A	N/A	N/A	N/A	-	-	-	-	-	-
SK 2382	CC1	84.5	88.5	106	106	-	-	-	-	-	-	-	-	-
	ZB1	N/A	N/A	N/A	N/A	-	-	-	-	-	-	-	-	-
SK 3282	CC1	-	88	108	108	125	125	156	-	-	-	-	-	-
	ZB1	-	N/A	N/A	N/A	N/A	N/A	N/A	-	-	-	-	-	-
SK 3382	CC1	84.5	88.5	106	106	125	125	-	-	-	-	-	-	-
	ZB1	N/A	N/A	N/A	N/A	N/A	N/A	-	-	-	-	-	-	-
SK 4282	CC1	-	-	-	108.5	133	133	190	194	247	-	-	-	-
	ZB1	-	-	-	N/A	N/A	N/A	N/A	N/A	N/A	-	-	-	-
SK 4382	CC1	-	88	108	108	125	125	-	-	-	-	-	-	-
	ZB1	-	N/A	N/A	N/A	N/A	N/A	-	-	-	-	-	-	-
SK 5282	CC1	-	-	-	108.5	133	133	190	194	247	194	247	-	-
	ZB1	N/A	N/A	N/A	N/A	N/A	N/A	N/A	N/A	N/A	N/A	N/A	-	-
SK 5382	CC1	-	88	108	108	125	125	-	-	-	-	-	-	-
	ZB1	-	N/A	N/A	N/A	N/A	N/A	-	-	-	-	-	-	-



IEC Dimensions (mm)

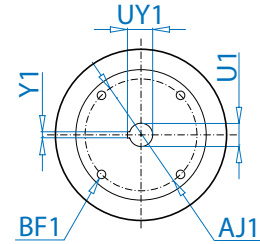
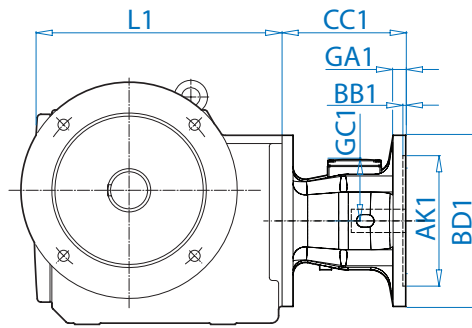
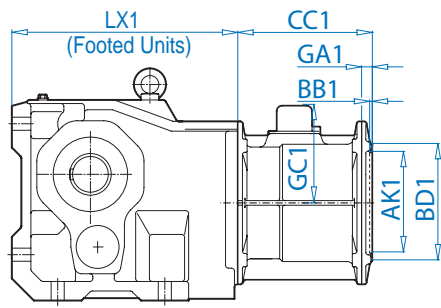
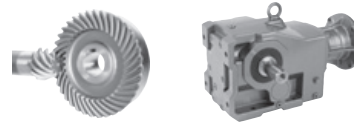
Input	AJ1	AK1	BB1	BD1	BF1	U1	V1	UY1	Y1
IEC 71	130	110	4.0	160	M8	14	30	16.3	5
IEC 80	165	130	4.0	200	M10	19	40	21.8	6
IEC 90	165	130	4.0	200	M10	24	50	27.3	8
IEC 100	215	180	5.0	250	M12	28	60	31.3	8
IEC 112	215	180	5.0	250	M12	28	60	31.3	8
IEC 132	265	230	5.0	300	M12	38	80	41.3	10
IEC 160	300	250	6.0	350	M16	42	110	45.3	12
IEC 180	300	250	6.0	350	M16	48	110	51.8	14
IEC 200	350	300	6.0	400	M16	55	110	59.3	16
IEC 225	400	350	6.0	450	M16	60	140	64.4	18
IEC 250	500	450	6.0	550	M16	65	140	69.4	18
IEC 280	500	450	6.0	550	M16	75	140	79.9	20
IEC 315	600	550	7.0	660	M20	80	170	85.4	22

Dimensions

IEC Dimensions (mm)

Unit		IEC 90	IEC 100	IEC 112	IEC 132	IEC 160	AI160	IEC 180	AI180	IEC 200	AI200	IEC 225	AI225	IEC 250	AI250	IEC 280	AI280	IEC 315	AI315
SK 6282	CC1	-	127	127	177	266	247	266	247	229	251	303	303	-	-	-	-	-	-
	ZB1	-	50	50	50	50	50	50	50	50	50	50	50	-	-	-	-	-	-
SK 6382	CC1	108.5	133	133	190	194	247	194	247	-	-	-	-	-	-	-	-	-	-
	ZB1	24	24	24	24	24	24	24	24	-	-	-	-	-	-	-	-	-	-
SK 7282	CC1	-	-	-	177	266	247	266	247	229	251	303	303	-	-	-	-	-	-
	ZB1	-	-	-	43	43	43	43	43	43	43	43	43	-	-	-	-	-	-
SK 7382	CC1	-	127	127	177	266	247	266	247	229	251	303	303	-	-	-	-	-	-
	ZB1	-	50	50	50	50	50	50	50	50	50	50	50	-	-	-	-	-	-
SK 8282	CC1	-	-	-	177	266	247	266	247	229	251	303	303	303.5	338.5	303.5	338.5	-	-
	ZB1	-	-	-	40	40	40	40	40	40	40	40	40	55	55	55	55	-	-
SK 8382	CC1	-	127	127	177	266	247	266	247	229	251	303	303	-	-	-	-	-	-
	ZB1	-	40	40	40	40	40	40	40	40	40	40	40	-	-	-	-	-	-
SK 9282	CC1	-	-	-	-	266	247	266	247	229	251	303	303	303.5	338.5	303.5	338.5	381.5	400
	ZB1	-	-	-	-	32	32	32	32	32	32	32	32	47	47	47	47	47	47
SK 9382	CC1	-	127	127	177	266	247	266	247	229	251	303	303	303.5	338.5	303.5	338.5	-	-
	ZB1	-	32	32	32	32	32	32	32	32	32	32	32	47	47	47	47	-	-
SK 10382.1	CC1	-	-	-	177	266	247	266	247	229	251	303	303	303.5	338.5	303.5	338.5	381.5	400
	ZB1	-	-	-	29	29	29	29	29	29	29	29	29	43.5	43.5	43.5	43.5	43.5	43.5
SK 11382.1	CC1	-	-	-	-	266	247	266	247	229	251	303	303	303.5	338.5	303.5	338.5	381.5	400
	ZB1	-	-	-	-	23	23	23	23	23	23	23	23	32	32	32	32	32	32

NEMA Input Adapters



N56C-400TC

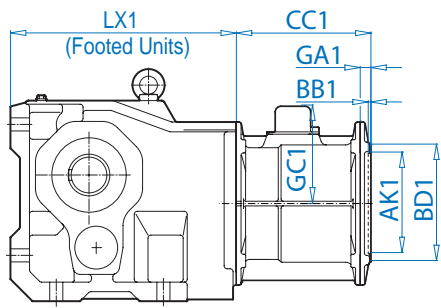
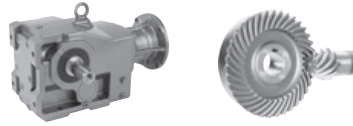
AN250TC-400TC

NEMA Dimensions (inch)

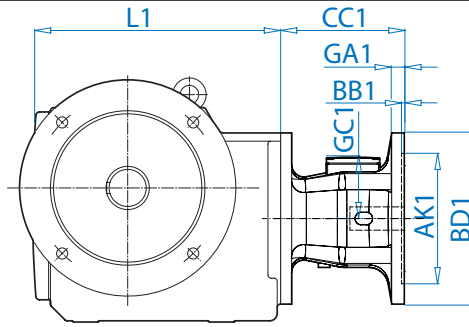
Input	AJ1	AK1	BB1	BD1	BF1	GA1	GC1	U1	UY1	Y1
N56C	5.875	4.500	0.18	6.54	0.43	0.47	-	0.625	0.709	0.188
N140TC	5.875	4.500	0.18	6.54	0.43	0.47	-	0.875	0.964	0.188
N180TC	7.250	8.500	0.23	9.17	0.59	0.71	-	1.125	1.241	0.250
N210TC	7.250	8.500	0.23	9.17	0.59	0.98	-	1.375	1.518	0.312
N250TC	7.250	8.500	0.23	13.78	0.59	0.98	8.23	1.625	1.796	0.375
AN250TC	7.250	8.500	0.23	13.78	0.59	0.98	4.41	1.625	1.796	0.375
N280TC	9.000	10.500	0.23	13.78	0.55	0.79	8.23	1.875	2.096	0.500
AN280TC	9.000	10.500	0.23	13.78	0.55	0.79	4.94	1.875	2.096	0.500
N320TC	11.000	12.500	0.23	15.75	0.71	1.18	8.43	2.125	2.350	0.500
AN320TC	11.000	12.500	0.23	15.75	0.71	1.18	5.93	2.125	2.350	0.500
A360TC	11.000	12.500	0.16	17.72	0.71	2.32	9.65	2.375	2.651	0.625
AN360TC	11.000	12.500	0.16	17.72	0.71	2.30	5.59	2.375	2.651	0.625
A400TC	11.000	12.500	0.16	21.65	0.71	2.87	11.65	2.875	3.205	0.750
AN400TC	11.000	12.500	0.16	21.65	0.71	2.85	7.78	2.875	3.205	0.750

Length Dimensions

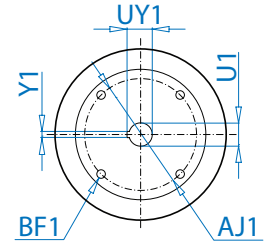
Unit		N56C	N140TC	N180TC	N210TC	N250TC	AN250TC	N280TC	AN280TC	N320TC	AN320TC	N360TC	AN360TC
SK 9012.1 SK 9013.1	CC1	4.45	4.45	5.65	-	-	-	-	-	-	-	-	-
	L1	9.80	9.80	9.80	-	-	-	-	-	-	-	-	-
	LX1	9.37	9.37	9.37	-	-	-	-	-	-	-	-	-
SK 9016.1 SK 9017.1	CC1	4.45	4.45	5.65	-	-	-	-	-	-	-	-	-
	L1	9.80	9.80	9.80	-	-	-	-	-	-	-	-	-
	LX1	9.37	9.37	9.37	-	-	-	-	-	-	-	-	-
SK 9022.1 SK 9023.1	CC1	4.45	4.45	5.65	-	-	-	-	-	-	-	-	-
	L1	11.50	11.50	11.50	-	-	-	-	-	-	-	-	-
	LX1	11.42	11.42	11.42	-	-	-	-	-	-	-	-	-
SK 9032.1	CC1	4.60	4.60	6.65	6.65	-	-	-	-	-	-	-	-
	L1	13.11	13.11	13.11	13.11	-	-	-	-	-	-	-	-
	LX1	12.56	12.56	12.56	12.56	-	-	-	-	-	-	-	-
SK 9033.1	CC1	4.45	4.45	-	-	-	-	-	-	-	-	-	-
	L1	13.11	13.11	-	-	-	-	-	-	-	-	-	-
	LX1	12.56	12.56	-	-	-	-	-	-	-	-	-	-
SK 9042.1	CC1	4.30	4.30	7.90	7.90	7.90	9.28	-	-	-	-	-	-
	L1	15.78	15.78	15.78	15.78	15.78	15.78	-	-	-	-	-	-
	LX1	14.92	14.92	14.92	14.92	14.92	14.92	-	-	-	-	-	-
SK 9043.1	CC1	4.60	4.60	6.60	-	-	-	-	-	-	-	-	-
	L1	15.78	15.78	15.78	-	-	-	-	-	-	-	-	-
	LX1	14.92	14.92	14.92	-	-	-	-	-	-	-	-	-
SK 9052.1	CC1	4.30	4.30	7.90	7.90	7.90	9.28	8.31	-	-	-	-	-
	L1	19.09	19.09	19.09	19.09	19.09	19.09	19.09	-	-	-	-	-
	LX1	18.11	18.11	18.11	18.11	18.11	18.11	18.11	-	-	-	-	-



N56C-400TC



AN250TC-400TC



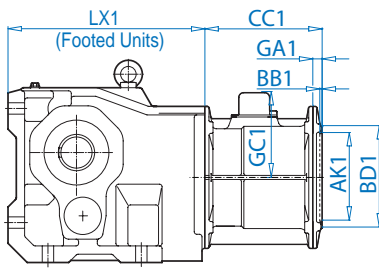
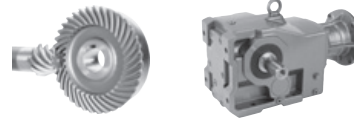
NEMA Dimensions (inch)

Input	AJ1	AK1	BB1	BD1	BF1	GA1	GC1	U1	UY1	Y1
N56C	5.875	4.500	0.18	6.54	0.43	0.47	-	0.625	0.709	0.188
N140TC	5.875	4.500	0.18	6.54	0.43	0.47	-	0.875	0.964	0.188
N180TC	7.250	8.500	0.23	9.17	0.59	0.71	-	1.125	1.241	0.250
N210TC	7.250	8.500	0.23	9.17	0.59	0.98	-	1.375	1.518	0.312
N250TC	7.250	8.500	0.23	13.78	0.59	0.98	8.23	1.625	1.796	0.375
AN250TC	7.250	8.500	0.23	13.78	0.59	0.98	4.41	1.625	1.796	0.375
N280TC	9.000	10.500	0.23	13.78	0.55	0.79	8.23	1.875	2.096	0.500
AN280TC	9.000	10.500	0.23	13.78	0.55	0.79	4.94	1.875	2.096	0.500
N320TC	11.000	12.500	0.23	15.75	0.71	1.18	8.43	2.125	2.350	0.500
AN320TC	11.000	12.500	0.23	15.75	0.71	1.18	5.93	2.125	2.350	0.500
A360TC	11.000	12.500	0.16	17.72	0.71	2.32	9.65	2.375	2.651	0.625
AN360TC	11.000	12.500	0.16	17.72	0.71	2.30	5.59	2.375	2.651	0.625
A400TC	11.000	12.500	0.16	21.65	0.71	2.87	11.65	2.875	3.205	0.750
AN400TC	11.000	12.500	0.16	21.65	0.71	2.85	7.78	2.875	3.205	0.750

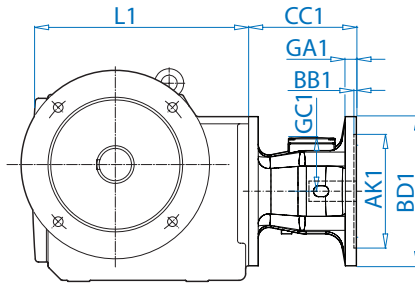
Length Dimensions

Unit		N56C	N140TC	N180TC	N210TC	N250TC	AN250TC	N280TC	AN280TC	N320TC	AN320TC	N360TC	AN360TC
SK 9053.1	CC1	4.60	4.60	6.60	-	-	-	-	-	-	-	-	-
	L1	19.09	19.09	19.09	-	-	-	-	-	-	-	-	-
	LX1	18.11	18.11	18.11	-	-	-	-	-	-	-	-	-
SK 9072.1	CC1	-	-	7.52	7.52	11.38	9.28	11.38	9.95	10.35	10.11	13.27	12.13
	L1	-	-	22.36	22.36	22.36	22.36	22.36	22.36	22.36	22.36	22.36	22.36
	LX1	-	-	21.65	21.65	21.65	21.65	21.65	21.65	21.65	21.65	21.65	21.65
SK 9082.1	CC1	-	-	7.52	7.52	11.38	9.28	11.38	9.95	10.35	10.11	13.29	14.67
	L1	-	-	29.13	29.13	29.13	29.13	29.13	29.13	29.13	29.13	29.72	29.72
	LX1	-	-	28.54	28.54	28.54	28.54	28.54	28.54	28.54	28.54	27.76	27.76
SK 9086.1	CC1	-	-	7.52	7.52	11.38	9.56	11.38	9.95	10.35	10.11	13.29	14.67
	L1	-	-	30.16	30.16	30.16	30.16	30.16	30.16	30.16	30.16	30.47	30.47
	LX1	-	-	29.57	29.57	29.57	29.57	29.57	29.57	29.57	29.57	29.88	29.88
SK 9092.1	CC1	-	-	7.52	7.52	11.38	9.56	11.38	9.95	10.35	10.11	13.29	14.67
	L1	-	-	35.47	35.47	35.47	35.47	36.10	36.10	36.10	36.10	36.10	36.10
	LX1	-	-	35.63	35.63	35.63	35.63	36.26	36.26	36.26	36.26	36.26	36.26
SK 9096.1	CC1	-	-	7.52	7.52	11.38	9.56	11.38	9.95	10.35	10.11	13.29	14.67
	L1	-	-	37.36	37.36	37.36	37.36	37.91	37.91	37.91	37.91	37.91	37.91
	LX1	-	-	37.80	37.80	37.80	37.80	38.35	38.35	38.35	38.35	38.35	38.35

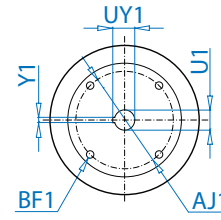
IEC Input Adapters



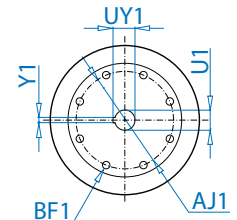
IEC63-IEC315



AI160-AI315



IEC63-IEC200
AI63-AI200



IEC225-IEC315
AI225-AI315

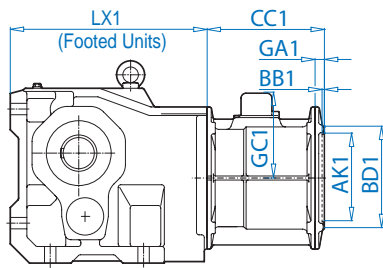
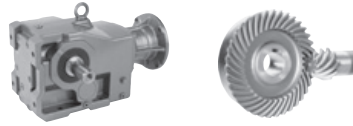
Dimensions

IEC Dimensions (mm)

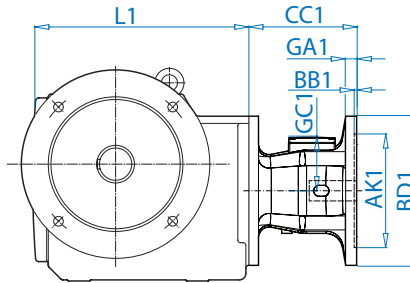
Input	AJ1	AK1	BB1	BD1	BF1	U1	V1	UY1	Y1
IEC 71	130	110	4.0	160	M8	14	30	16.3	5
IEC 80	165	130	4.0	200	M10	19	40	21.8	6
IEC 90	165	130	4.0	200	M10	24	50	27.3	8
IEC 100	215	180	5.0	250	M12	28	60	31.3	8
IEC 112	215	180	5.0	250	M12	28	60	31.3	8
IEC 132	265	230	5.0	300	M12	38	80	41.3	10
IEC 160	300	250	6.0	350	M16	42	110	45.3	12
IEC 180	300	250	6.0	350	M16	48	110	51.8	14
IEC 200	350	300	6.0	400	M16	55	110	59.3	16
IEC 225	400	350	6.0	450	M16	60	140	64.4	18
IEC 250	500	450	6.0	550	M16	65	140	69.4	18
IEC 280	500	450	6.0	550	M16	75	140	79.9	20
IEC 315	600	550	7.0	660	M20	80	170	85.4	22
IEC 315	600	550	7.0	660	M20	80	170	85.4	22

CC Dimensions

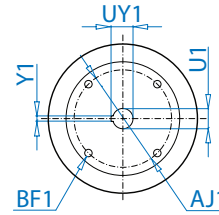
Unit		IEC63	IEC 71	IEC 80	IEC 90	IEC 100	IEC 112	IEC 132	IEC 160	AI160	IEC 180	AI180
SK 9012.1 SK 9013.1	CC1	85	89	105	105	130	130	-	-	-	-	-
	L1	249	249	249	249	249	249	-	-	-	-	-
	LX1	238	238	238	238	238	238	-	-	-	-	-
SK 9016.1 SK 9017.1	CC1	85	89	105	105	130	130	-	-	-	-	-
	L1	249	249	249	249	249	249	-	-	-	-	-
	LX1	238	238	238	238	238	238	-	-	-	-	-
SK 9022.1 SK 9023.1	CC1	85	89	105	105	130	130	-	-	-	-	-
	L1	292	292	292	292	292	292	-	-	-	-	-
	LX1	290	290	290	290	290	290	-	-	-	-	-
SK 9032.1	CC1	-	88	107	107	124	124	156	-	-	-	-
	L1	-	333	333	333	333	333	333	-	-	-	-
	LX1	-	319	319	319	319	319	319	-	-	-	-
SK 9033.1	CC1	85	89	105	105	130	130	-	-	-	-	-
	L1	333	333	333	333	333	333	-	-	-	-	-
	LX1	319	319	319	319	319	319	-	-	-	-	-
SK 9042.1	CC1	-	-	-	109	133	133	190	194	247	194	247
	L1	-	-	-	401	401	401	401	401	401	401	401
	LX1	-	-	-	379	379	379	379	379	379	379	379
SK 9043.1	CC1	-	88	107	107	124	124	156	-	-	-	-
	L1	-	401	401	401	401	401	401	-	-	-	-
	LX1	-	379	379	379	379	379	379	-	-	-	-



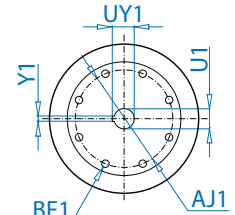
IEC63-IEC315



AI160-AI315



IEC63-IEC200
AI63-AI200



IEC225-IEC315
AI225-AI315

IEC Dimensions (mm)

Input	AJ1	AK1	BB1	BD1	BF1	U1	V1	UY1	Y1
IEC 71	130	110	4.0	160	M8	14	30	16.3	5
IEC 80	165	130	4.0	200	M10	19	40	21.8	6
IEC 90	165	130	4.0	200	M10	24	50	27.3	8
IEC 100	215	180	5.0	250	M12	28	60	31.3	8
IEC 112	215	180	5.0	250	M12	28	60	31.3	8
IEC 132	265	230	5.0	300	M12	38	80	41.3	10
IEC 160	300	250	6.0	350	M16	42	110	45.3	12
IEC 180	300	250	6.0	350	M16	48	110	51.8	14
IEC 200	350	300	6.0	400	M16	55	110	59.3	16
IEC 225	400	350	6.0	450	M16	60	140	64.4	18
IEC 250	500	450	6.0	550	M16	65	140	69.4	18
IEC 280	500	450	6.0	550	M16	75	140	79.9	20
IEC 315	600	550	7.0	660	M20	80	170	85.4	22
IEC 315	600	550	7.0	660	M20	80	170	85.4	22

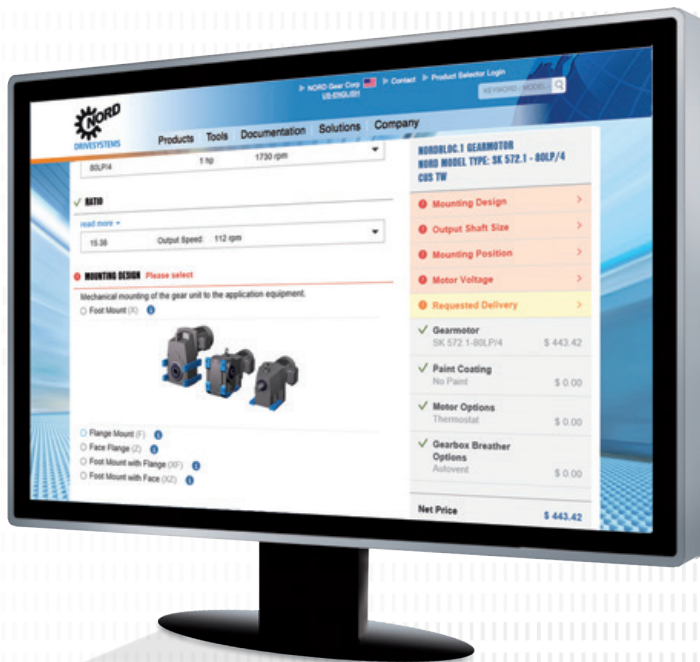
CC Dimensions

Unit		IEC 71	IEC 80	IEC 90	IEC 100	IEC 112	IEC 132	IEC 160	AI160	IEC 180	AI180	IEC 200	AI200	IEC 225	AI225	IEC 250	AI250	IEC 280	AI280	IEC 315	AI315	
SK 9052.1	CC1	-	-	109	133	133	190	194	247	194	-	-	-	-	-	-	-	-	-	-	-	
	L1	-	-	487	487	487	487	487	487	487	-	-	-	-	-	-	-	-	-	-	-	-
	LX1	-	-	460	460	460	460	460	460	460	-	-	-	-	-	-	-	-	-	-	-	-
SK 9053.1	CC1	88	107	107	124	124	156	-	-	-	-	-	-	-	-	-	-	-	-	-	-	
	L1	487	487	487	487	487	487	-	-	-	-	-	-	-	-	-	-	-	-	-	-	
	LX1	460	460	460	460	460	460	-	-	-	-	-	-	-	-	-	-	-	-	-	-	
SK 9072.1	CC1	-	-	-	127	127	177	266	247	266	247	229	251	303	303	-	-	-	-	-	-	
	L1	-	-	-	586	586	586	568	568	568	568	568	568	568	568	-	-	-	-	-	-	
	LX1	-	-	-	568	568	568	550	550	550	550	550	550	550	550	-	-	-	-	-	-	
SK 9082.1	CC1	-	-	-	-	-	177	266	247	266	247	229	251	303	303	303.5	338.5	303.5	338.5	381.5	400	
	L1	-	-	-	-	-	740	740	740	740	740	740	740	740	740	740	720	720	748	748	748	
	LX1	-	-	-	-	-	725	725	725	725	725	725	725	725	725	725	705	705	733	733	733	
SK 9086.1	CC1	-	-	-	-	-	177	266	247	266	247	229	251	303	303	303.5	338.5	303.5	338.5	381.5	400	
	L1	-	-	-	-	-	766	766	766	766	766	766	766	766	766	746	746	774	774	774	774	
	LX1	-	-	-	-	-	751	751	751	751	751	751	751	751	751	731	731	759	759	759	759	
SK 9092.1	CC1	-	-	-	-	-	177	266	247	266	247	229	251	303	303	303.5	338.5	303.5	338.5	381.5	400	
	L1	-	-	-	-	-	901	901	901	901	901	901	901	901	901	917	917	890	890	890	890	
	LX1	-	-	-	-	-	905	905	905	905	905	905	905	905	905	921	921	894	894	894	894	
SK 9096.1	CC1	-	-	-	-	-	177	266	247	266	247	229	251	303	303	303.5	338.5	303.5	338.5	381.5	400	
	L1	-	-	-	-	-	954	954	954	954	954	954	954	954	954	970	970	970	970	970	970	
	LX1	-	-	-	-	-	960	960	960	960	960	960	960	960	960	975	975	975	975	975	975	

Ordering is Easy With myNORD Online Tools!



- ▶ Obtain drawing files direct from quote configuration
- ▶ Effortlessly select & configure customized drive solutions
- ▶ Create quotes with account-specific net pricing
- ▶ Order-specific documentation
- ▶ 24/7/365 order tracking
- ▶ Select and order spare parts



Register now at myNORD.com!



www.nord.com

NORD Gear Corporation - US

Waunakee, WI
800 NORD Drive
Waunakee, WI 53597
Tel. 888.314.6673
info.us@nord.com

Corona, CA
1180 Railroad St.
Corona, CA 92882
Tel. 888.314.6673
info.us@nord.com

Charlotte, NC
300E Forsyth Hall Dr.
Charlotte, NC 28273
Tel. 888.314.6673
info.us@nord.com

NORD Gear Limited - Canada

Brampton, ON
41 West Drive
Brampton, ON L6T4A1
Tel. 800.668.4378
info.ca@nord.com

NORD DRIVE SYSTEMS SA DE CV

Queretaro, Mexico
Av. Industria Textil B.6
Parque Industrial PYME, Huimilpan
QRO - Mexico 76950
Tel. 52 442 688 7110
info.mx@nord.com