

MAXXDRIVE® Industrial Gear Units

Modular building block system

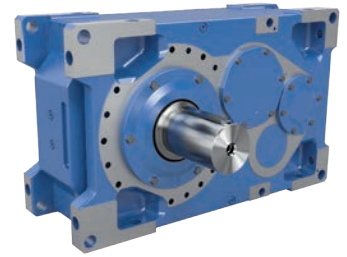


Complete Drive Solutions From a Single Source



NORD Delivers

NORD offers first-class customer service and support along with full-featured drive solutions that can tackle the toughest requirements. All components are carefully selected and precisely configured to meet your exact specifications. In the rare case that standard components won't meet your needs, our in-house engineering team will work with you to design custom components or a complete customized system.



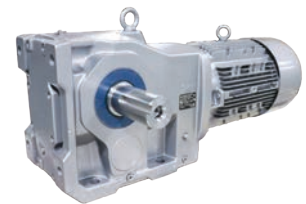
Reduce Lead Times and Decrease Inventory

- ▶ Fastest lead times in the industry with NO expedite fees
- ▶ Over 20,000,000 standard configurations to reduce or eliminate the need for custom components
- ▶ Modular drives, motors, and electronic controls minimize inventory of replacement units and parts



Global Product Designs, Standards, and Support

- ▶ Innovative, industry-standard products to support a wide range of applications
- ▶ Global sales and support network
- ▶ Dedicated mechanical and electrical application engineers ready to assist you
- ▶ Online resources available to you any time
- ▶ 24/7/365 emergency breakdown service



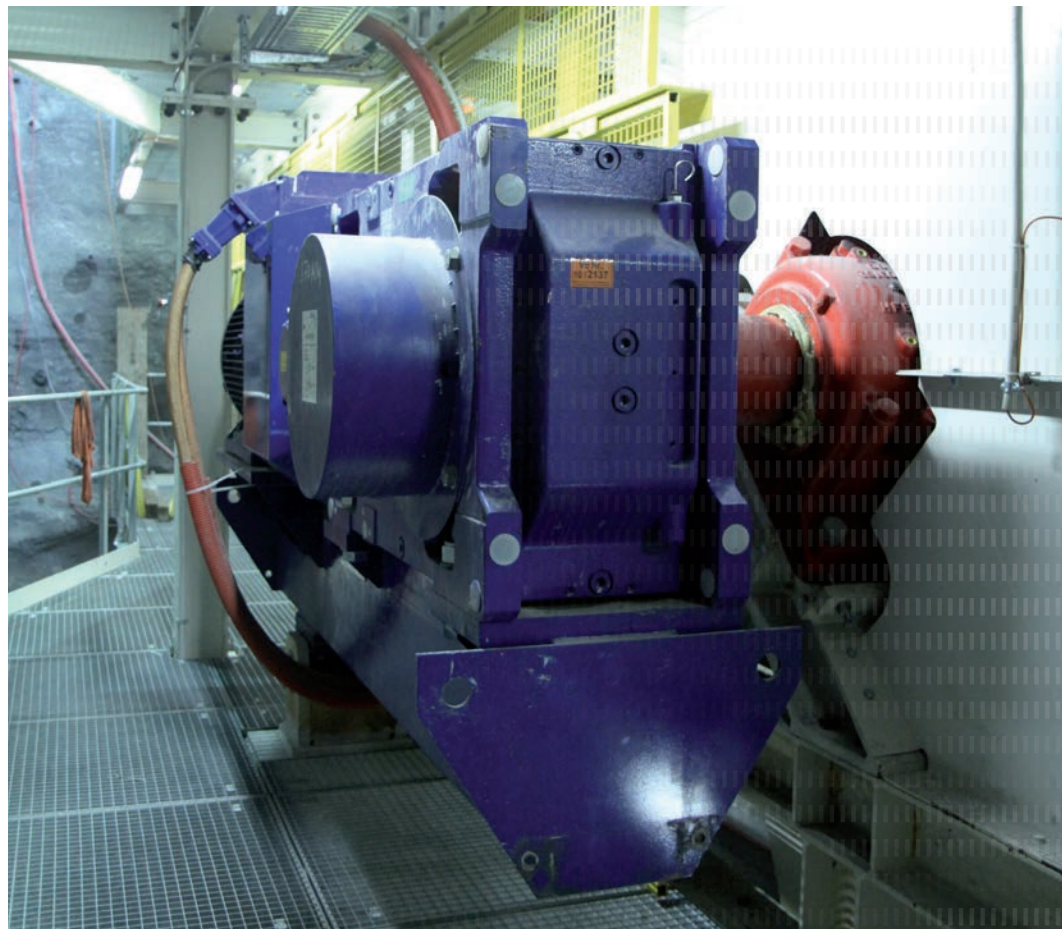
Increase Efficiency and Reduce Operation Costs

- ▶ myNORD online tools for fast selection, configuration, ordering, and tracking of your drive units
- ▶ Drive systems that are perfectly matched to your application for optimum performance and energy efficiency
- ▶ Program personalization, such as weekly shipment schedules and custom nameplates
- ▶ Partner with a company that is easy to do business with and wants to see you succeed!



Industrial Gear Units - Main Fields of Application

- ▶ Materials transport (belt, plate, screw & chain conveyors, etc.)
- ▶ Bucket conveyors
- ▶ Stack conveyors and reloading excavators
- ▶ Bulk handling (agitators and mixers etc)
- ▶ Pumps
- ▶ Crane, hoist, and winch
- ▶ Water & waste industry
- ▶ Mining industry
- ▶ Paper industry
- ▶ Timber industry
- ▶ Steel industry
- ▶ Sugar industry
- ▶ Chemical industry



Advantages of NORD Industrial Gear Units

- ▶ Greater precision due to FEM optimized, torsionally rigid housing
- ▶ UNICASE™ one-piece housing design with torque up to 2,495,900 lb-in
- ▶ Lower weight than jointed housing gear units
- ▶ Longer bearing life than jointed housing gear units
- ▶ Various seal systems, e.g. Taconite
- ▶ Noise-optimized bevel gears (HPG/Wiener)
- ▶ Optional axial or radial fans
- ▶ Modular system
- ▶ Synthetic oils provide greater reliability, reduce maintenance, and ensure long oil life
- ▶ Option for attaching a flange-mounted pump (for oil supply to the bearings) for longitudinal inclination angles $>5^\circ$ / and transverse inclination angles $>3^\circ$
- ▶ For double drive conveyor systems, the gear units can be exchanged without conversion due to their symmetrical design. (see Page 4)
- ▶ 2 and 3-stage gear units have identical dimensions and shaft distance remains constant, allowing modification of the gear ratio using the same housing
- ▶ Additional external oil cooler possible
- ▶ Optional torque-limited back stop (double drive unit)
- ▶ Additional modules can be attached to the standard housing (e.g. heater cartridges)
- ▶ Stock components (including spare parts) allow for short delivery times

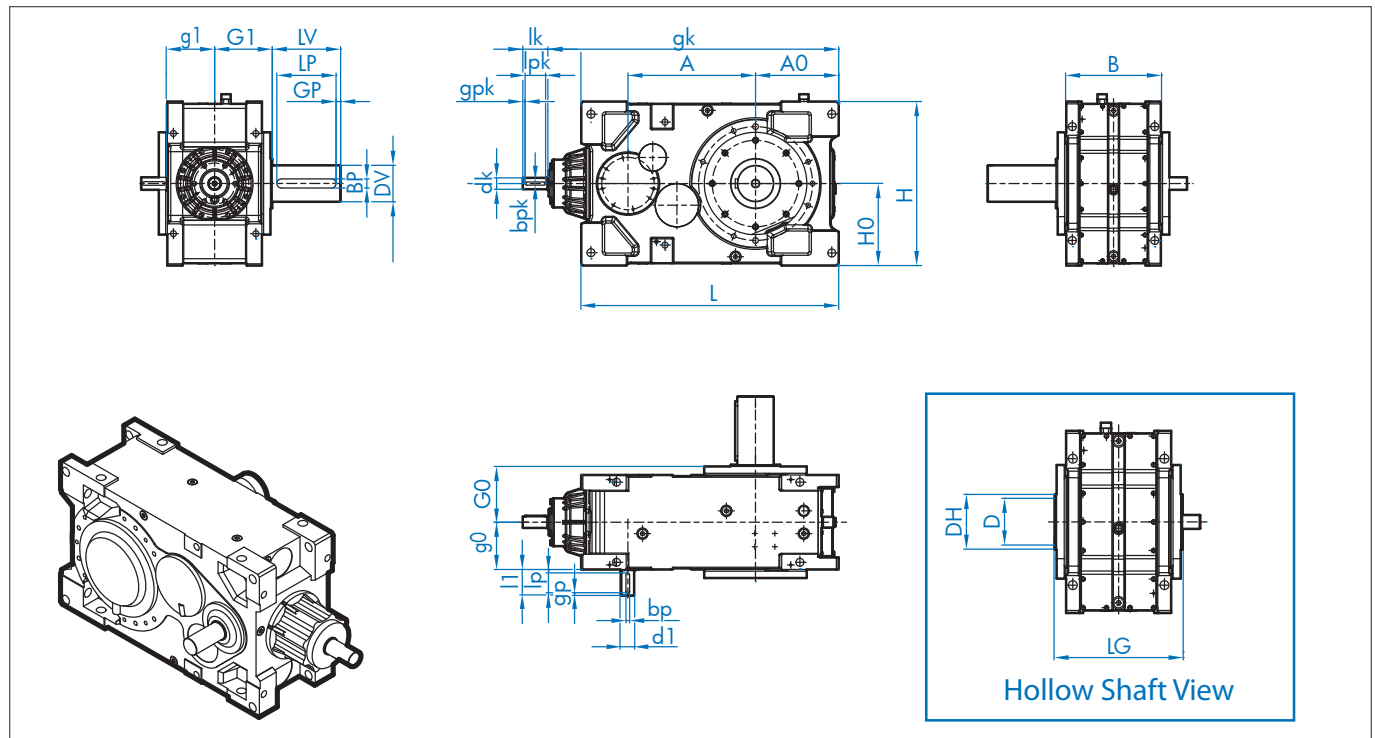
MAXXDRIVE® Industrial Gear Units

NORD is the only manufacturer which produces modular industrial gear units with an output torque of up to 2,495,900 lb-in in a one-piece UNICASE™ housing.

- ✓ All bearing points and sealing surfaces are machined in a single operation
- ✓ No separating joints in the housing, no sealing surfaces subject to torque
- ✓ High-precision axis alignment for quiet running
- ✓ Long life, low maintenance
- ✓ Gear ratio range 5.54:1 to 400:1 with the same foot dimensions
- ✓ Parallel axis and right-angle gear units

Sizes: 11
 Power: 2.5 – 8,075 7
 Torque: 132,800 - 2,495,900 lb-in
 Ratio: 5.54:1 – 30,000.00*:1

*With first stage gear unit



Gearbox Dimensions * (mm)

	A	A0	B	g0	G0	g1	G1	H	H0	L
SK 5..07	377	230	365	172.5	172.5	192.5	192.5	455	227.5	730
SK 6..07	402	255	365	172.5	172.5	192.5	192.5	495	247.4	780
SK 7..07	440	295	350	175	189	194	197	530	265	870
SK 8..07	465	325	350	175	189	194	197	590	295	925
SK 9..07	530	330	415	207.5	249	227.5	253	650	325	1055
SK 10..07	560	365	415	207.5	249	227.5	253	720	360	1130
SK 11..07	630	370	440	254	270	260	280	750	375	1210
SK 12..07	695	405	510	288.5	305	294	315	850	425	1345
SK 13..07	780	475	550	323	343	328	353	950	475	1530
SK 14..07	835	505	610	325	373	355	383	1050	525	1615
SK 15..07	935	545	650	361	385	371	395	1100	550	1800

Shaft Dimensions (mm)

(K) = Keyed (SD) = Shrink Disc

	Solid Output Shaft					Solid Input Shaft					Hollow Output Shaft				
	BP	DV	GP	LP	LV	bp	d1	gp	lp	l1	D (K)	LG (K)	D (SD)	LG (SD)	DH
SK 5..07	32	120 (4.750")	15	180	210	14	48	5	100	110	105 (3.9375")	385	110 (4.4375")	458	140
SK 6..07	32	120 (4.750")	15	180	210	14	48	5	100	110	105 (3.9375")	385	110 (4.4375")	458	140
SK 7..07	36	140 (5.500")	25	200	250	14	48	5	100	110	125 (4.9375")	394	125 (4.9375")	484	160
SK 8..07	36	140 (5.500")	25	200	250	14	48	5	100	110	125 (4.9375")	394	125 (4.9375")	484	160
SK 9..07	40	160 (6.250")	20	260	300	16	55	10	90	110	160/145 (5.9375")	506	160 (5.9375")	628	220
SK 10..07	40	160 (6.250")	20	260	300	16	55	10	90	110	160/145 (5.9375")	506	160 (5.9375")	628	220
SK 11..07	40	170 (6.750")	20	260	300	20	70	7.5	125	140	170 (6.4375")	560	170 (6.4375")	690	230
SK 12..07	45	200 (8.000")	25	300	350	22	80	15	140	170	190 (7.4375")	630	190 (7.4375")	770	250
SK 13..07	50	230 (9.000")	31	350	410	22	80	15	140	170	230 (8.9375")	706	230 (8.9375")	880	285
SK 14..07	56	250 (9.750")	25	360	410	22	80	15	140	170	230 (8.9375")	766	230 (8.9375")	940	285
SK 15..07	56	250 (9.750")	25	360	410	28	100	15	180	210	250 (9.9375")	790	250 (9.4375")	970	320

Parallel Solid Input Shaft Dimensions* (mm)

	bp	d1	gp	lp	l1	
SK 5..07	14	48	5	100	110	---
SK 6..07	14	48	5	100	110	---
SK 7..07	14	48	5	100	110	---
SK 8..07	14	48	5	100	110	---
SK 9..07	16	55	10	90	110	---
SK 10..07	16	55	10	90	110	---
SK 11..07	22	80	15	140	170	..207
	20	70	7.5	125	140	..307
SK 12..07	28	100	15	180	210	..207
	22	80	15	140	170	..307
SK 13..07	22	110	15	180	210	..207
	22	80	15	140	170	..307
SK 14..07	28	110	15	180	210	..207
	22	80	15	140	170	..307
SK 15..07	32	120	15	200	245	..207
	28/22	100/80	15	180/140	210/170	..307

Right-Angle Input Shaft Dimensions** (mm)

	bpk*	dk*	gk	gpk	lpk*	lk*	
SK 5..07	10	38	896	5	100	110	---
SK 6..07	10	38	946	5	100	110	---
SK 7..07	14/10	48/38	1057	5	100/70	110/80	..407
	8	28			50	60	..507
SK 8..07	14/10	48/38	1057	5	100/70	110/80	..407
	8	28			50	60	..507
SK 9..07	14/12	50/40	1212	10	90/80	110/100	..407
	10	38		5	70	80	..507
SK 10..07	14/12	50/40	1212	10	90/80	110/100	..407
	10	38		5	70	80	..507
SK 11..07	20/14	70/50	1424	7.5/10	125/90	140/110	..407
	14	50		10	90	110	..507
SK 12..07	22/20	80/70	1612	15/7.5	140/125	170/140	..407
	14	50		10	90	110	..507
SK 13..07	22/20	80/70	1827	15/7.5	140/125	170/140	..407
	20	70		7.5	125	140	..507
SK 14..07	22/20	80/70	2052	15/7.5	180/140	200/170	..407
	20	70		7.5	125	140	..507
SK 15..07	28/22	100/80	2132	15	180/140	200/170	..407
	20	70		7.5	125	140	..507

Options



Drive coupling types

IEC/NEMA adapter



Output shafts



Backstop



Brake types



Auxiliary drive unit



Mounting base



Motor

**Size and ratio dependent

MAXXDRIVE® Industrial Gear Units

In addition to positive parallel key fitting, the gears also have a press-fit between the shaft and the hub. The standard input sealing system features a combination of a radial sealing ring (type A) and an additional gamma ring. Standard shaft seals are NBR quality with FKM (Viton) shaft seals, labyrinth seals, and Taconite seals optionally available. Contact NORD if you require other specialized sealing systems.

Monitoring Devices and Sensors

The following measuring devices are available:

- ▶ Oil inspection glass
- ▶ Oil level glass
- ▶ Dipstick
- ▶ Pt 100 (temperature)
- ▶ Temperature sensor, PTC thermistor
- ▶ Temperature sensor, bimetal switch
- ▶ Particle counter (oil)
- ▶ Measurement of water content (oil)
- ▶ Oil filter contamination indicator, electrical
- ▶ Oil filter contamination indicator, visual
- ▶ SPM nipple (vibration sensor)
- ▶ Bearing condition monitor with evaluation unit
- ▶ Pressure monitoring (oil circulation)
- ▶ Special requirements on request

Temperature Management

The following features are available:

- ▶ Fans, 3 options (axial, radial, or electric fans)
- ▶ External oil/air cooler
- ▶ External oil/water cooler
- ▶ Internal cooling coils (water)
- ▶ Heating cartridges

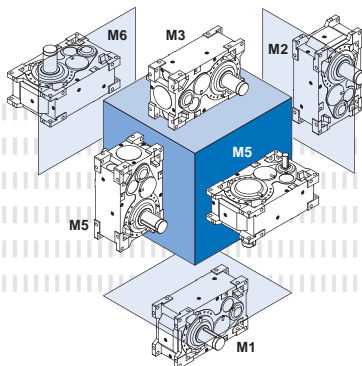
Sealing Systems

- ▶ Single seal NBR/FKM
- ▶ Double seal NBR/FKM
- ▶ Dust protection seal
- ▶ Taconite seal (re-lubricated labyrinth seals)
- ▶ Gamma-ring seal, dust protection
- ▶ Special requirements on request

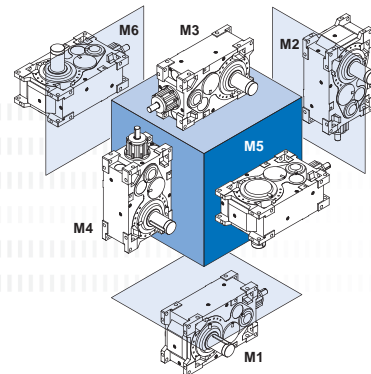
6 Installation Orientations

NORD MAXXDRIVE industrial gear units can be mounted in 6 orientations without an additional adapter.

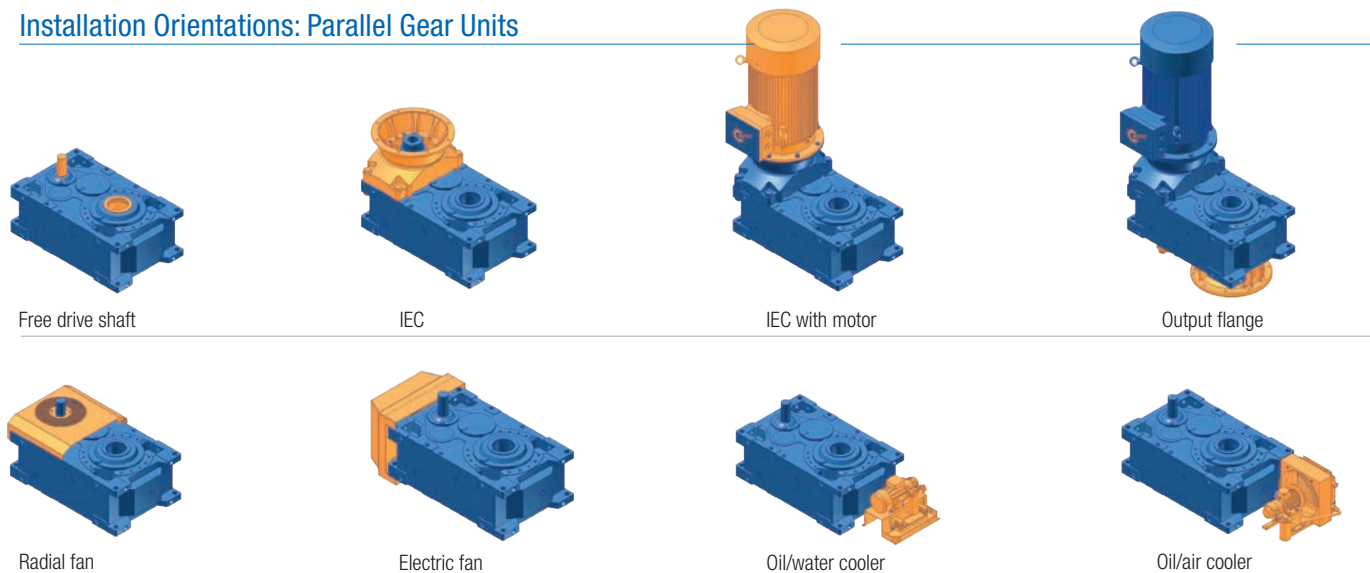
Parallel gear units



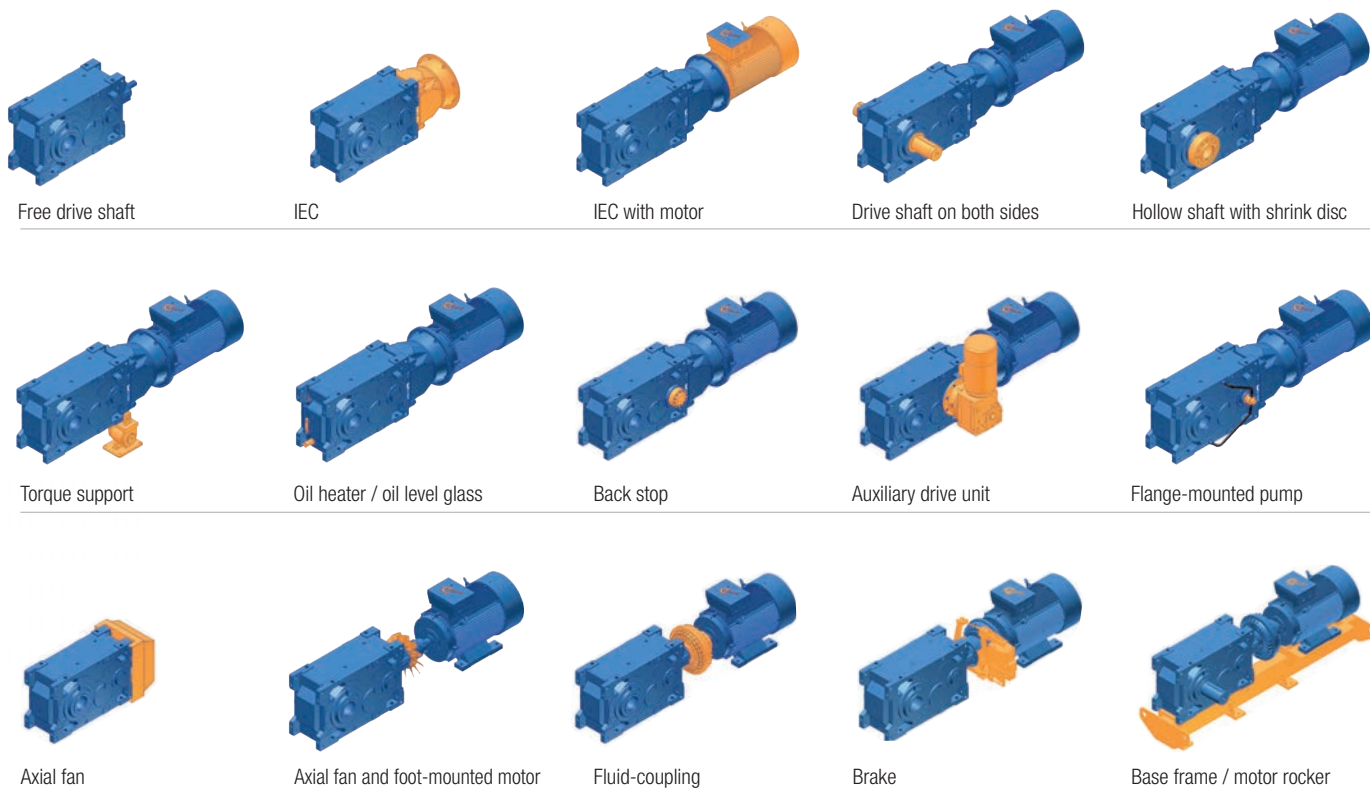
Right-angle gear units



Installation Orientations: Parallel Gear Units



Installation Orientations: Right-Angle Gear Units



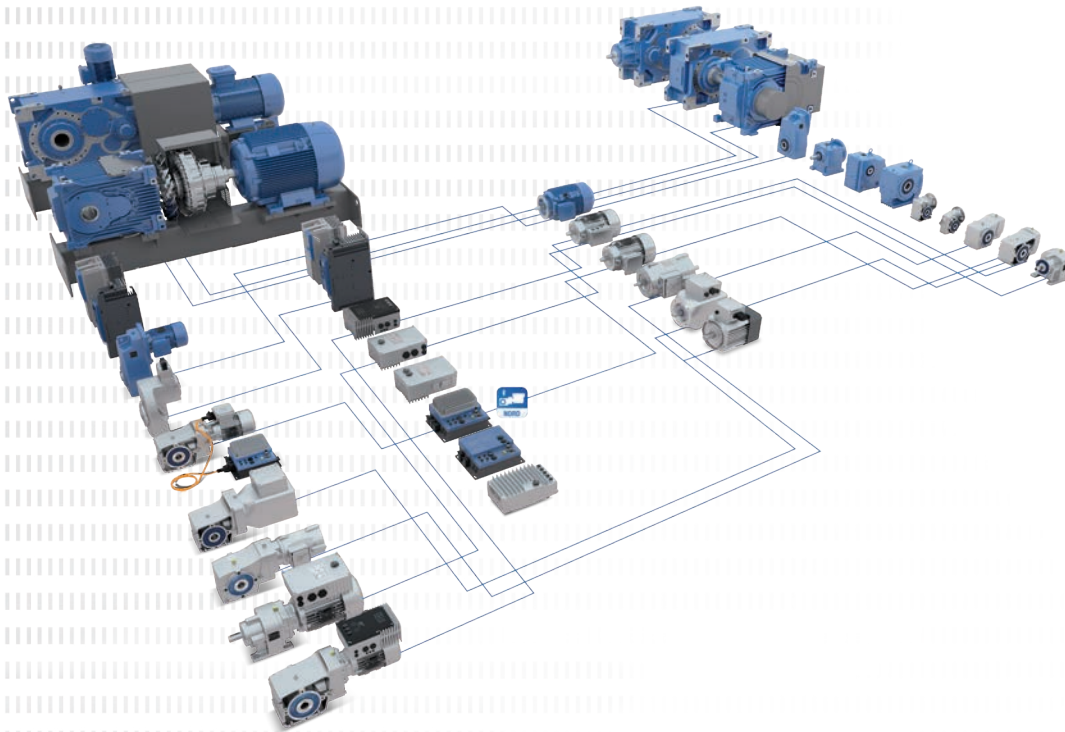
Combinations other than those listed here are available upon request.

NORD DRIVESYSTEMS

MAXXDRIVE® Industrial Gear Units



The modular system design of NORD DRIVESYSTEMS empowers users to create customized solutions to their exact requirements. From gear units to motors to drive electronics, each of the variants combines the highest product quality, short lead times, rapid delivery, and a strong price-to-performance ratio.



NORD DRIVESYSTEMS Product Portfolio

- ▶ Complex drive systems from modular components
- ▶ High availability, global production network
- ▶ Short delivery times for stock components and spare parts
- ▶ Highest product quality at all locations
- ▶ ATEX versions available
- ▶ myNORD customer portal for online configuration, pricing, quoting & ordering
- ▶ 24/7 dependable partner for engineering, production, installation and service

www.nord.com

US

Central Region
Corporate Headquarters
800 NORD Drive
Waunakee, WI 53597
Tel. 888.314.6673
info.us@nord.com
www.nord.com

East Region
300E Forsyth Hall Dr.
Charlotte, NC 28273
Tel. 888.314.6673
info.us@nord.com

West Region
1180 Railroad St.
Corona, CA 92882
Tel. 888.314.6673
info.us@nord.com

South Region
350 Cypress Hill Dr, Suite 400
McKinney, TX 75071
Tel. 888.314.6673
info.us@nord.com

CA

NORD Gear Limited
Brampton, ON
41 West Drive
Brampton, ON L6T4A1
Tel. 800.668.4378
info.ca@nord.com

MX

NORD DRIVE SYSTEMS SA DE CV
Queretaro, Mexico
Av. Industria Textil B.6
Parque Industrial PYME, Huimilpan
QRO - Mexico 76950
Tel. 52 442 688 7110
info.mx@nord.com